



# THE DATASHEET OF VN340SP





# VN340SP

## QUAD HIGH SIDE SMART POWER SOLID STATE RELAY

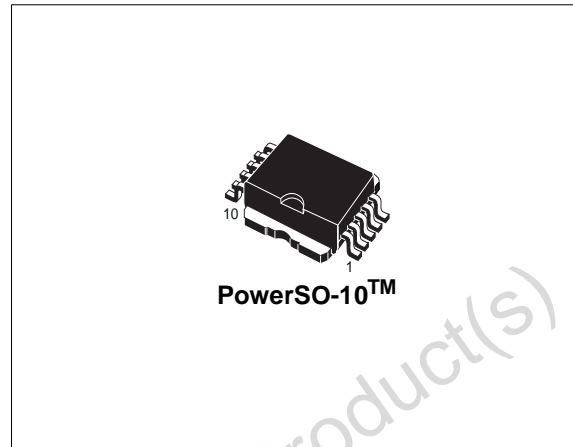
TYPE	V <sub>demag</sub> (*)	R <sub>DSon</sub> (*)	I <sub>out</sub> (*)	V <sub>cc</sub>
VN340SP	V <sub>cc</sub> -55V	0.2Ω	0.7A	36 V

(\*) Per channel

- OUTPUT CURRENT : 0.7A PER CHANNEL
- DIGITAL I/O's CLAMPED AT 32V MINIMUM VOLTAGE
- SHORTED LOAD AND OVERTEMPERATURE PROTECTIONS
- PROTECTION AGAINST LOSS OF GROUND
- BUILT-IN CURRENT LIMITER
- UNDERVOLTAGE SHUT-DOWN
- OPEN DRAIN DIAGNOSTIC OUTPUT
- FAST DEMAGNETIZATION OF INDUCTIVE LOADS
- CONFORMS TO IEC 1131-2

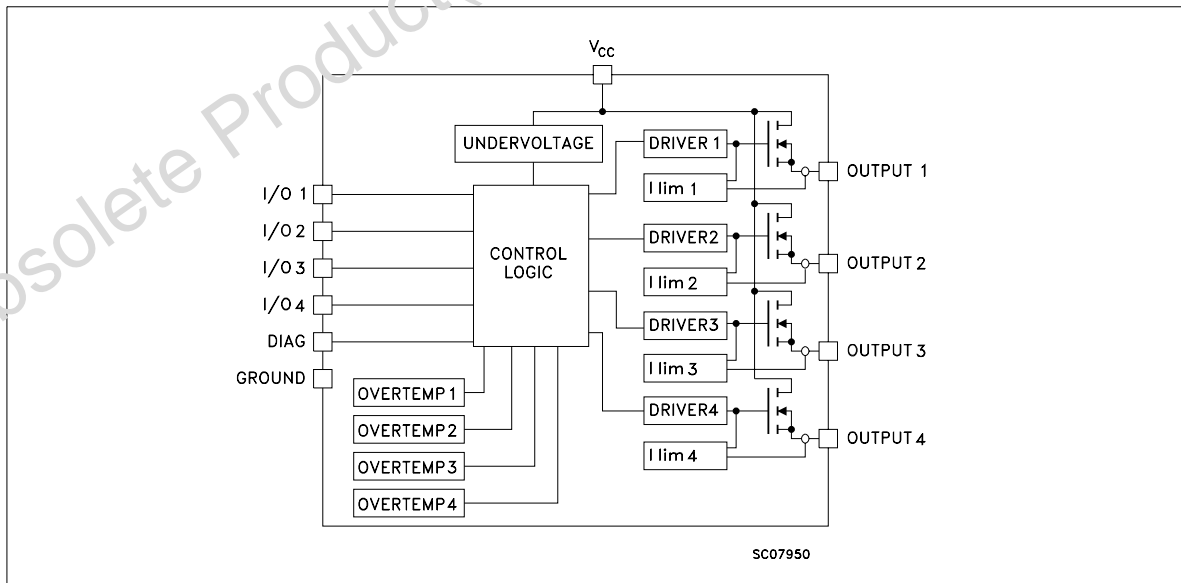
### DESCRIPTION

The VN340SP is a monolithic device made using STMicroelectronics VIPower technology, intended for driving four independent resistive or inductive loads with one side connected to ground. Active current limitation avoids dropping the system



power supply in case of shorted load. Built-in thermal shut-down protects the chip from overtemperature and short circuit. The open drain diagnostic output indicates overtemperature conditions. Each I/O is pulled down when overtemperature condition of the relative channel is verified.

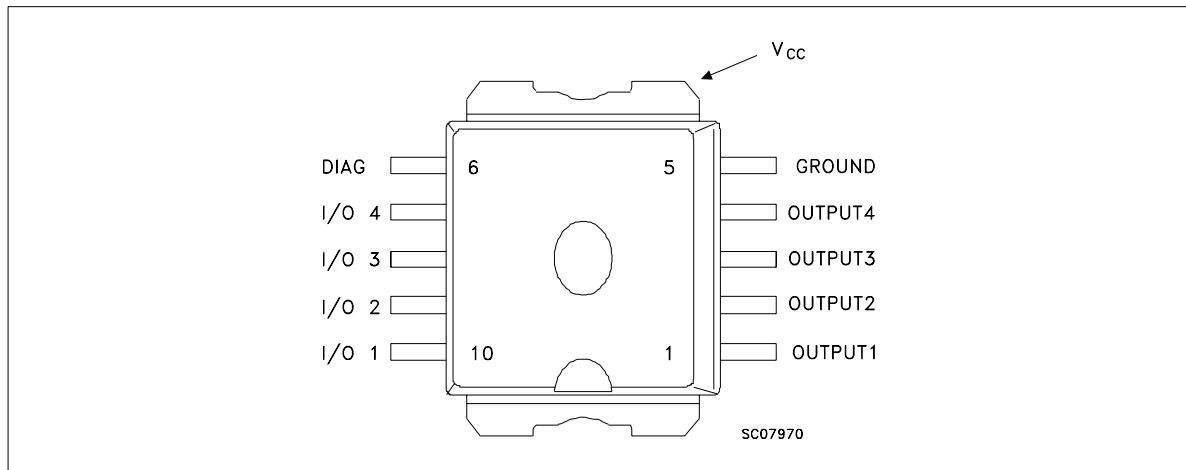
### BLOCK DIAGRAM



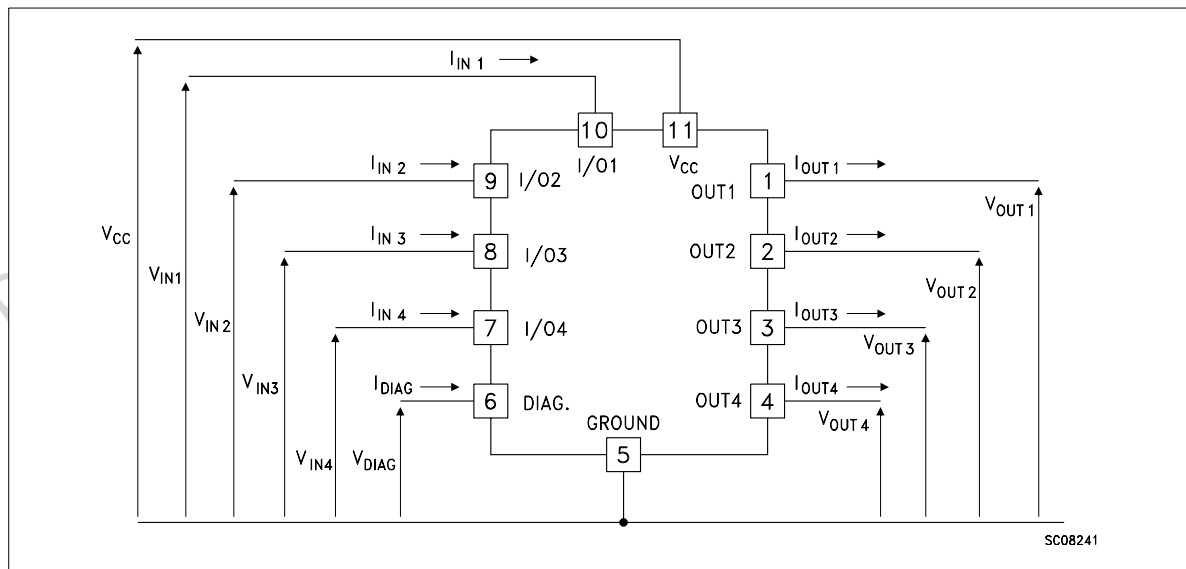
**ABSOLUTE MAXIMUM RATING**

Symbol	Parameter	Value	Unit
$V_{CC}$	Power supply voltage	45	V
$-V_{CC}$	Reverse supply voltage	-4	V
$I_{OUT}$	Output current (continuous)	Internally limited	A
$I_R$	Reverse output current (per channel)	-6	A
$I_{IN}$	Input current (per channel)	$\pm 10$	mA
$I_{DIAG}$	Diag pin current	$\pm 10$	mA
$V_{ESD}$	Electrostatic discharge (R=1.5K $\Omega$ ; C=100pF)	2000	V
$E_{AS}$	Single pulse avalanche energy per channel not simultaneously (see figure 1)	400	mJ
$P_{tot}$	Power dissipation at $T_c=25^\circ\text{C}$	Internally limited	W
$T_j$	Junction operating temperature	Internally limited	$^\circ\text{C}$
$T_{stg}$	Storage temperature	-55 to 150	$^\circ\text{C}$

**CONNECTION DIAGRAM TOP VIEW**



**CURRENT AND VOLTAGE CONVENTIONS**



## VN340SP

### THERMAL DATA

Symbol	Parameter	Value	Unit
$R_{thj-case}$	Thermal resistance junction-case (1) (MAX)	3	°C/W
$R_{thj-amb}$	Thermal resistance junction-ambient (\$) (MAX)	50	°C/W

(1) Per channel

(\$) When mounted using minimum recommended pad size on FR-4 board

### ELECTRICAL CHARACTERISTICS (10V < $V_{CC}$ < 36V; -25°C < $T_j$ < 85°C; unless otherwise specified)

#### POWER

Symbol	Parameter	Test Conditions	Min	Typ	Max	Unit
$V_{CC}$	Supply voltage		10		36	V
$R_{ON}$	On state resistance	$I_{OUT}=0.5A$ ; $T_j=25^\circ C$ $I_{OUT}=0.5A$ ; $-25^\circ C < T_j < 85^\circ C$ $I_{OUT}=0.5A$ ; $T_j=125^\circ C$			0.2 0.32 0.4	$\Omega$ $\Omega$ $\Omega$
$I_S$	Supply current	All channels off On state; $V_{IN}=30V$ ; $I_{OUTn}=0V$ ( $T_j=125^\circ C$ )			1 6	mA mA
$V_{OL}$	Low state output voltage	$V_{IN}=V_{IL}$ ; $R_{LOAD} \geq 10M\Omega$			1.5	V
$V_{demag}$	Output voltage at turn-off	$I_{OUT}=0.5A$ ; $L_{LOAD}=1mH$	$V_{CC}-65$	$V_{CC}-55$	$V_{CC}-45$	V
$I_{LGND}$	Output current at turn-off	$V_{CC}=V_{INn}=V_{GND}=V_{STAT}=18$ to 30V $T_{amb}=-25^\circ C$ to $85^\circ C$ (*)			2	mA

(\*) see test configuration and application description

#### SWITCHING ( $V_{CC}=24V$ )

Symbol	Parameter	Test Conditions	Min	Typ	Max	Unit
$t_{d(on)}$	Turn-on delay time of Output current	$I_{OUT}=0.5A$ , Resistive Load Input rise time $< 0.1\mu s$ , $T_j=25^\circ C$		52	100	$\mu s$
$t_r$	Rise time of Output current	$I_{OUT}=0.5A$ , Resistive Load Input rise time $< 0.1\mu s$ , $T_j=25^\circ C$		94	250	$\mu s$
$t_{d(off)}$	Turn-off delay time of Output current	$I_{OUT}=0.5A$ , Resistive Load Input rise time $< 0.1\mu s$ , $T_j=25^\circ C$		34	50	$\mu s$
$t_f$	Fall time of Output current	$I_{OUT}=0.5A$ , Resistive Load Input rise time $< 0.1\mu s$ , $T_j=25^\circ C$		8	20	$\mu s$

**ELECTRICAL CHARACTERISTICS** (continued)**LOGIC INPUT** (Per each channel)

Symbol	Parameter	Test Conditions	Min	Typ	Max	Unit
$V_{IL}$	I/O Input low level voltage				2	V
$V_{IH}$	I/O Input high level voltage (see note 1)		3.5			V
$V_{I(HYST)}$	I/O Input hysteresis voltage			0.5		V
$I_{IN}$	I/O Input current	$V_{IN}=30V$			25	$\mu A$
$V_{ICL}$	I/O Input clamp voltage (see note 1)	$I_{IN}=1mA$ $I_{IN}=-1mA$	32	36 -0.7		V V

Note 1 : The input voltage is internally clamped at 32V minimum , it is possible to connect the input pins to an higher voltage via an external resistor calculate to not exceed 10mA.

**PROTECTION AND DIAGNOSTICS**

Symbol	Parameter	Test Conditions	Min	Typ	Max	Unit
$V_{DIAG} (*)$	Status voltage output low	$I_{STAT}=5mA$ (Fault condition)			1	V
$V_{SCL} (*)$	Status clamp voltage	$I_{DIAG}=1mA$ $I_{DIAG}=-1mA$	32	36 -0.7		V V
$V_{USD}$	Undervoltage shut down		5		8	V
$I_{LIM}$	DC Short circuit current	$V_{CC}=24V; R_{LOAD}<10m\Omega$	0.7		2	A
$I_{OVPK}$	Peak short circuit current	$V_{CC}=24V; V_{IN}=30V; R_{LOAD}<10m\Omega$ (see figure 2)			4	A
$I_{DIAGH}$	Leakage on diag pin in high state	$V_{DIAG}=24V$			25	$\mu A$
$I_{LOAD}$	Output leakage current	$V_{CC}=10$ to 36V; $V_{IN}=V_{IL}$			50	$\mu A$
$t_{SC}$	Delay time of current limiter				100	$\mu s$
$T_{TSD}$	Thermal shut down temperature		150	170		$^{\circ}C$
$T_R$	Thermal reset temperature		135	155		$^{\circ}C$

(\*) Status determination > 100 $\mu s$  after the switching edge.

Note: If INPUT pin is floating the corresponding channel will automatically switch off. If GND pin is disconnected, the channel will switch off provided  $V_{CC}$  not exceed 36V.

FIGURE 1: Avalanche Energy Test Circuit

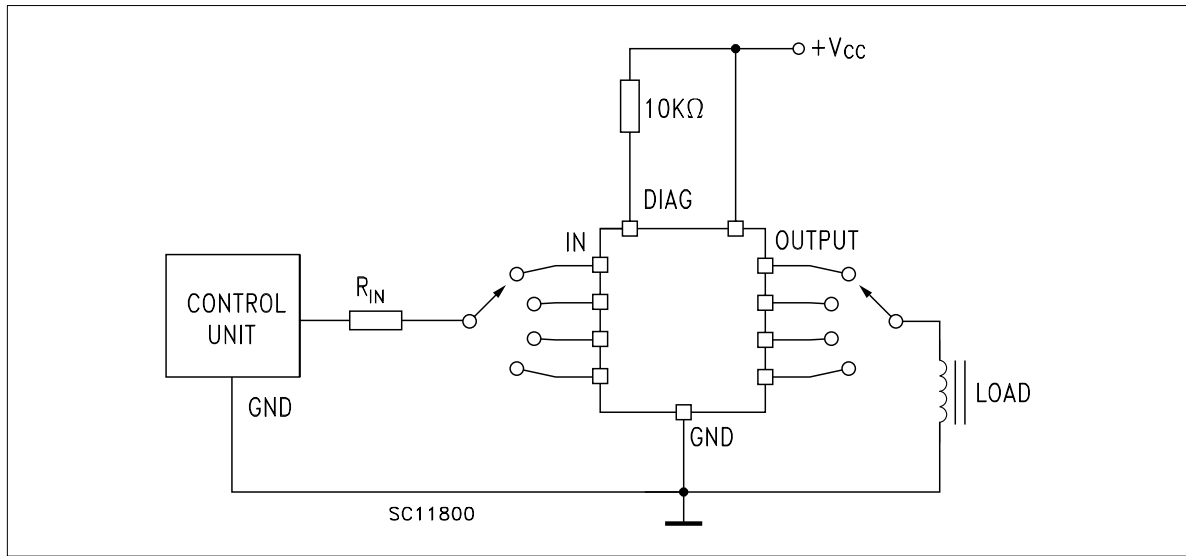
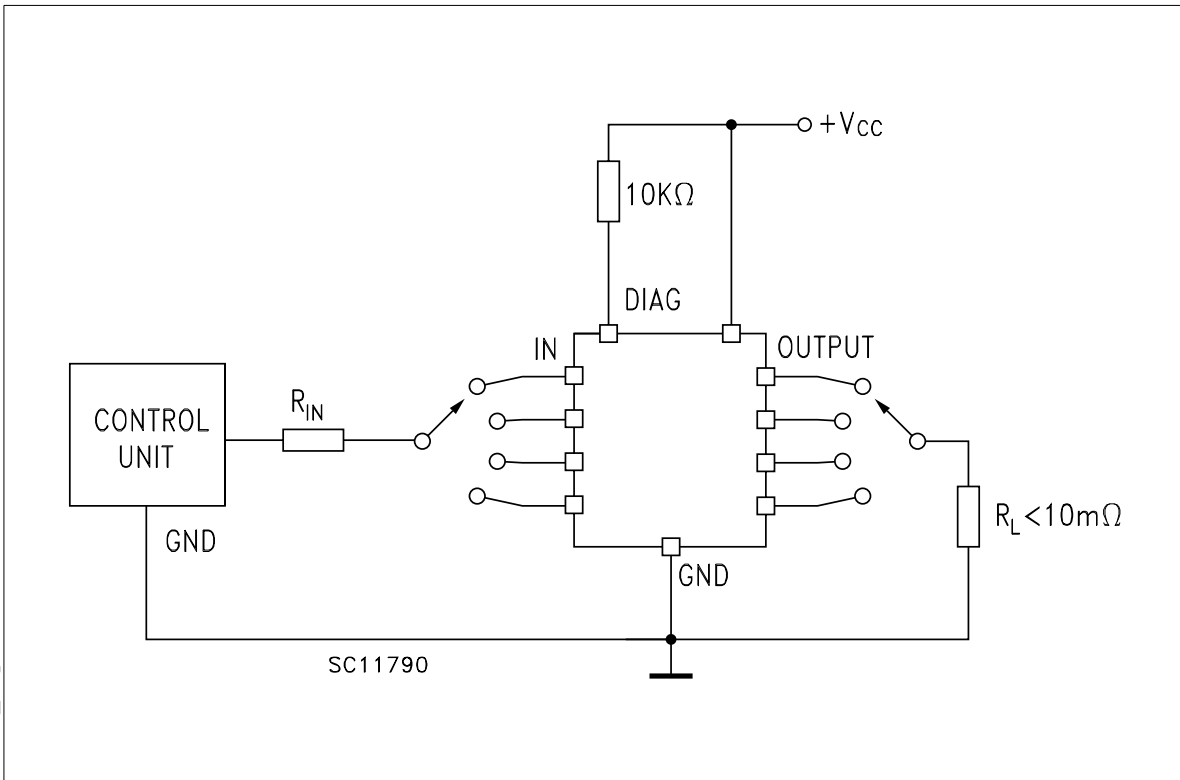


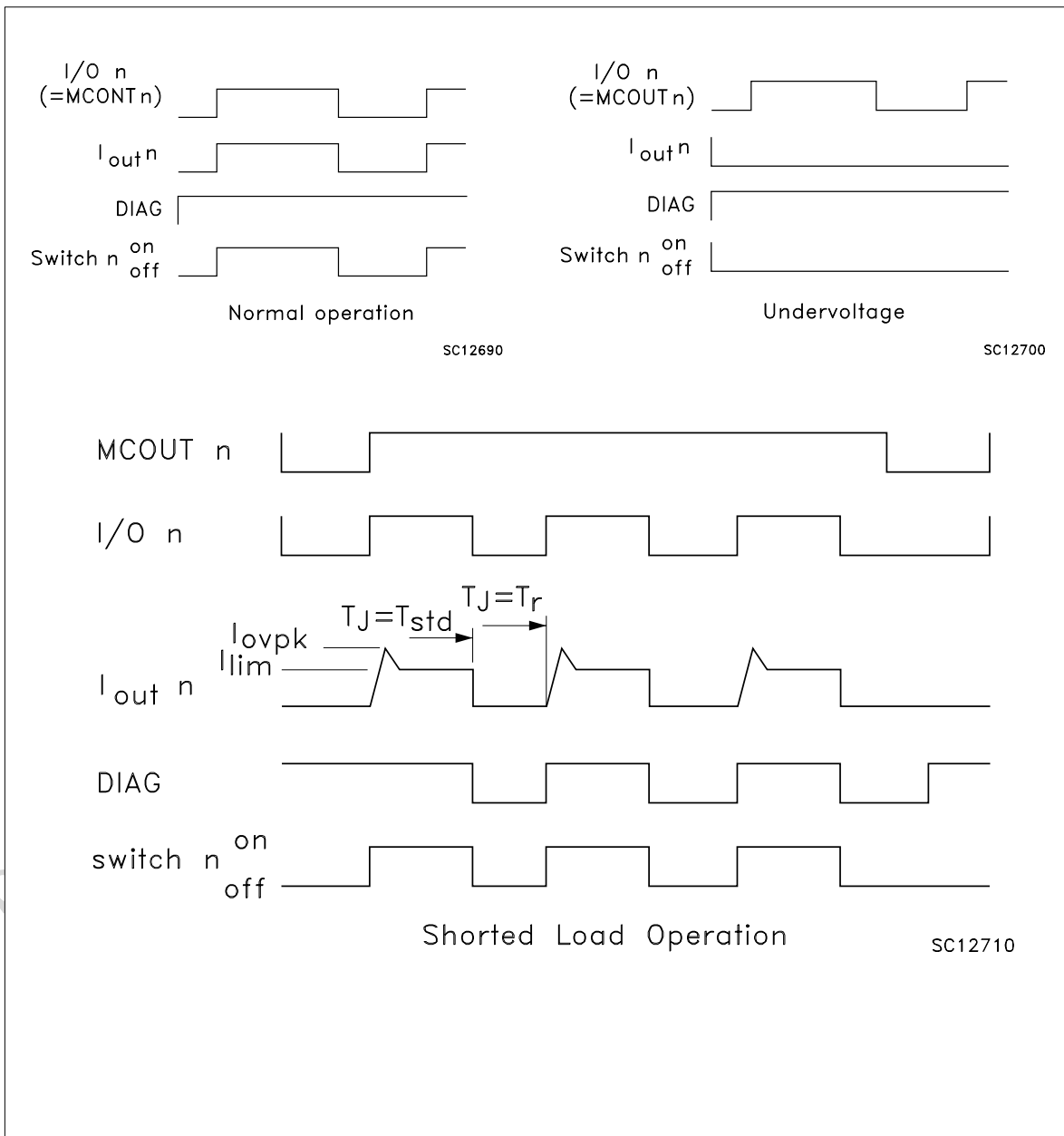
FIGURE 2: Peak Short Circuit Current Test Circuit



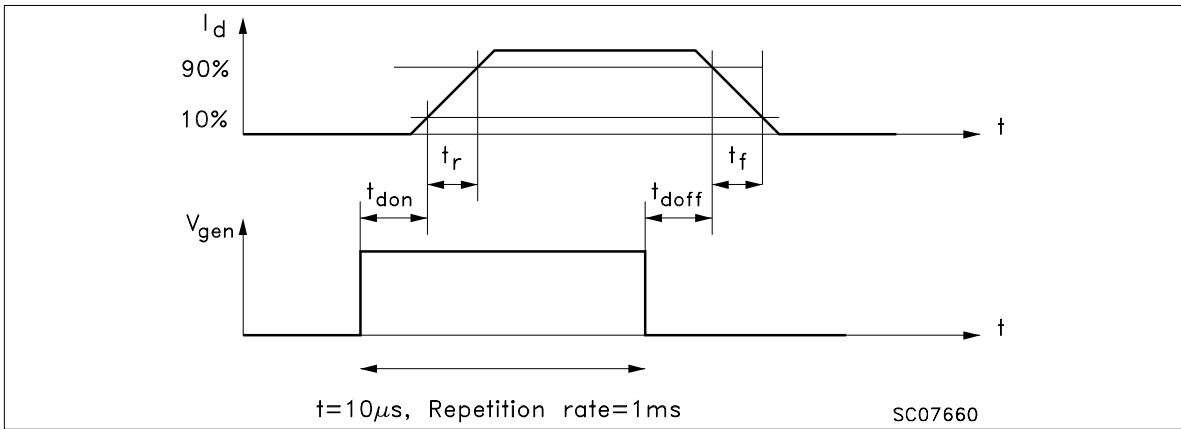
**THRUTH TABLE**

	MCOUtn	I/On	OUTPUTn	DIAGNOSTIC
Normal operation	L	L	L	H
	H	H	H	H
Overtemperature	L	L	L	H
	H	L	L	L
Undervoltage	L	L	L	H
	H	H	L	H
Shorted load (Current limitation)	L	L	L	H
	H	H	H	H

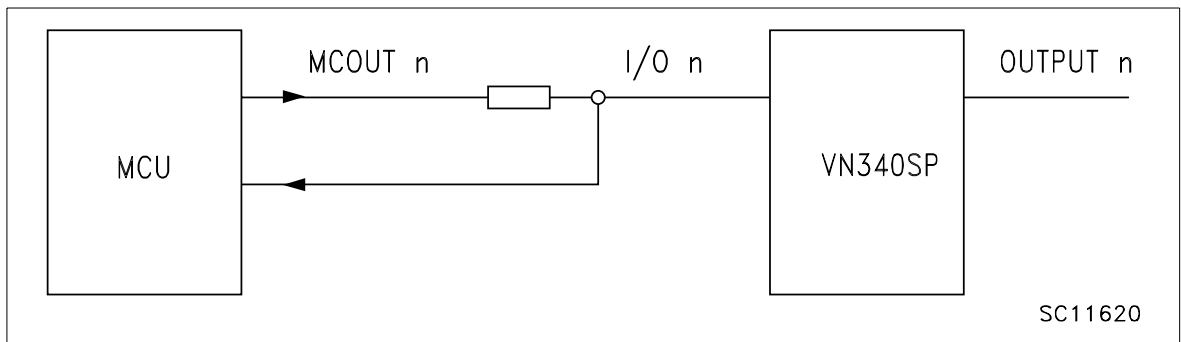
**Figure 3: Switching Waveforms**



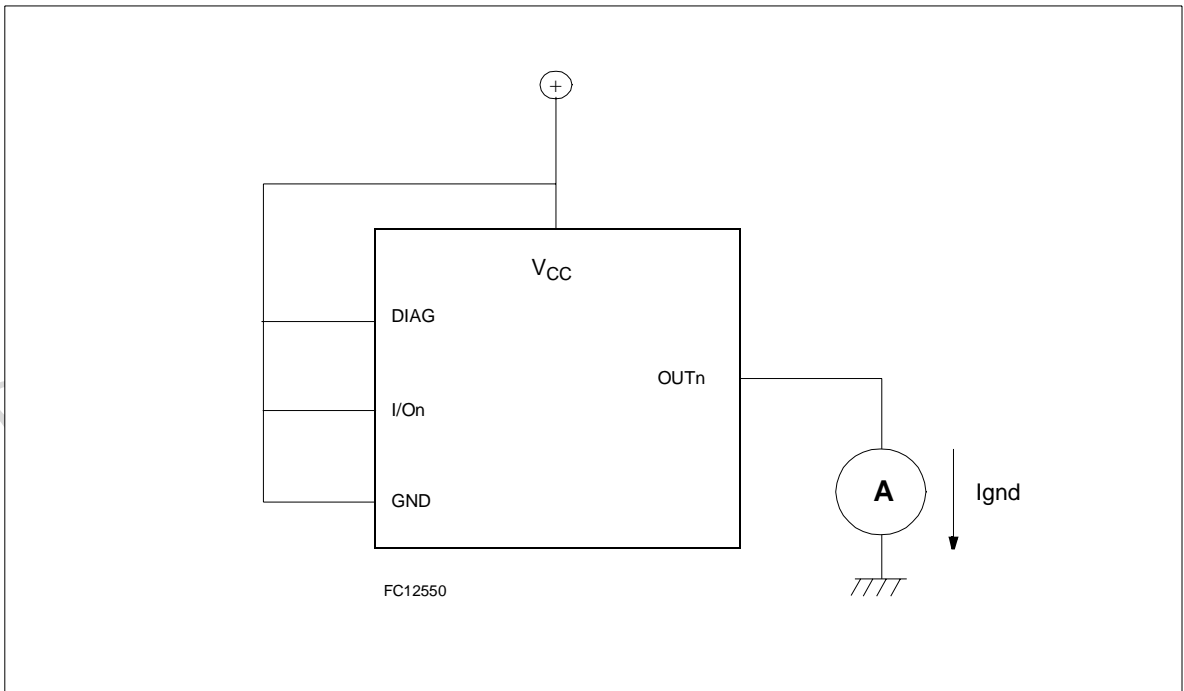
**SWITCHING PARAMETERS TEST CONDITIONS**



**DRIVING CIRCUIT**



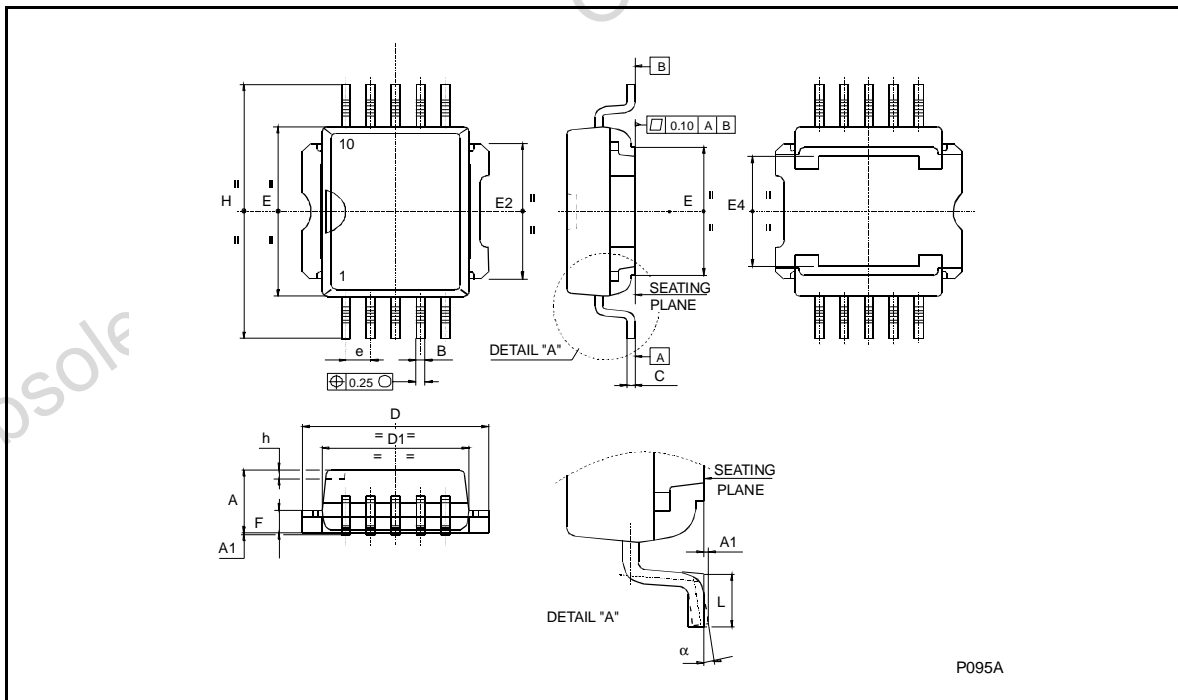
**Fig. 4:**  $I_{LGND}$  Test Configuration



**PowerSO-10™ MECHANICAL DATA**

DIM.	mm.			inch		
	MIN.	TYP.	MAX.	MIN.	TYP.	MAX.
A	3.35		3.65	0.132		0.144
A (*)	3.4		3.6	0.134		0.142
A1	0.00		0.10	0.000		0.004
B	0.40		0.60	0.016		0.024
B (*)	0.37		0.53	0.014		0.021
C	0.35		0.55	0.013		0.022
C (*)	0.23		0.32	0.009		0.0126
D	9.40		9.60	0.370		0.378
D1	7.40		7.60	0.291		0.300
E	9.30		9.50	0.366		0.374
E2	7.20		7.60	0.283		300
E2 (*)	7.30		7.50	0.287		0.295
E4	5.90		6.10	0.232		0.240
E4 (*)	5.90		6.30	0.232		0.248
e		1.27			0.050	
F	1.25		1.35	0.049		0.053
F (*)	1.20		1.40	0.047		0.055
H	13.80		14.40	0.543		0.567
H (*)	13.85		14.35	0.545		0.565
h		0.50			0.002	
L	1.20		1.80	0.047		0.070
L (*)	0.80		1.10	0.031		0.043
α	0°		8°	0°		8°
α (*)	2°		8°	2°		8°

(\*) Muar only POA P013P



P095A

Information furnished is believed to be accurate and reliable. However, STMicroelectronics assumes no responsibility for the consequences of use of such information nor for any infringement of patents or other rights of third parties which may result from its use. No license is granted by implication or otherwise under any patent or patent rights of STMicroelectronics. Specifications mentioned in this publication are subject to change without notice. This publication supersedes and replaces all information previously supplied. STMicroelectronics products are not authorized for use as critical components in life support devices or systems without express written approval of STMicroelectronics.

The ST logo is a trademark of STMicroelectronics

© 2000 STMicroelectronics - Printed in ITALY- All Rights Reserved.



STMicroelectronics GROUP OF COMPANIES

Australia - Brazil - China - Finland - France - Germany - Hong Kong - India - Italy - Japan - Malaysia - Malta - Morocco - Singapore - Spain - Sweden - Switzerland - United Kingdom - U.S.A.

<http://www.st.com>

## Looking for pricing, stock, or lifecycle information?

Click below to explore more details on WIN SOURCE:

-  [View VN340SP](#) on WIN SOURCE
-  [STMicroelectronics](#) Information

## Optimize Your Supply Chain with WIN SOURCE Solutions

-  Global Sourcing Solution
-  Obsolete Management
-  Cost Control Management
-  Shortage Management
-  Alternative Solution
-  Excess Inventory Management