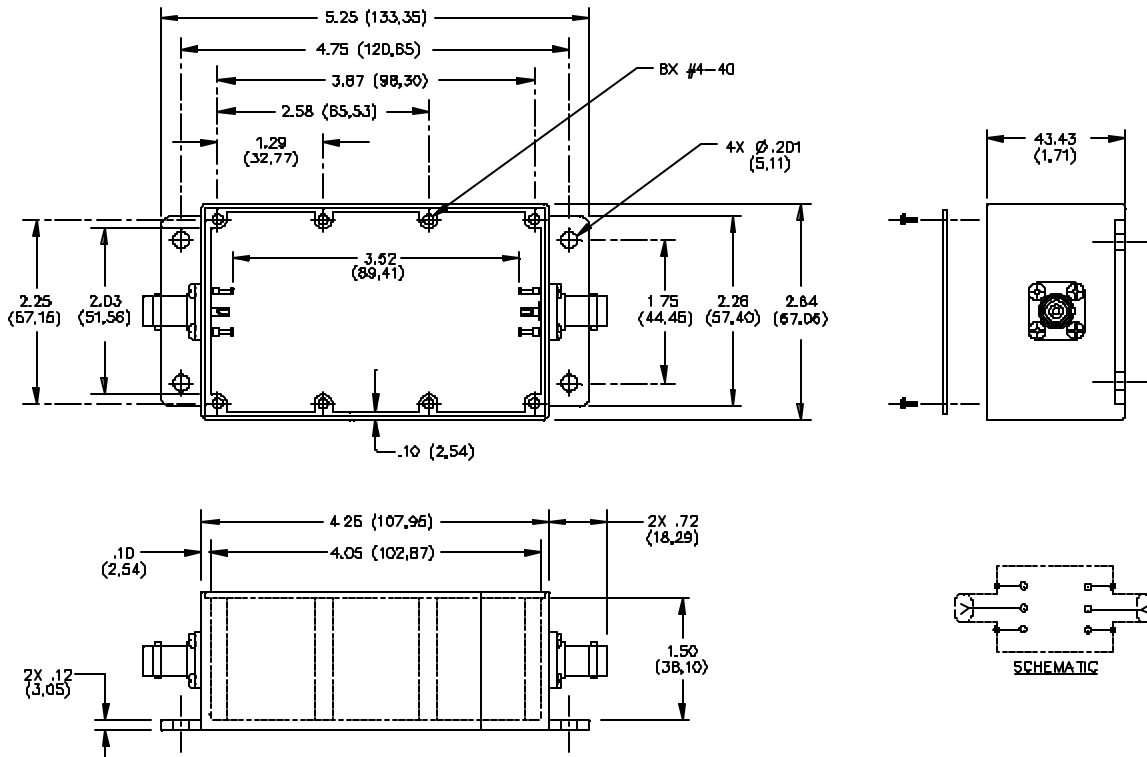




THE DATASHEET OF
2902



Model 2902 Size C Aluminum Box With Cover BNC Female/Female



MATERIALS:

Connector: BNC (F)

Body: Tarnish Resistant Plating, Center Contact: Gold Plated Beryllium Copper

Solder Turret Terminal Screws: Steel

Shielded Housing: Die cast aluminum alloy A380 or A384.

Finish: Blue baked enamel per Fed. Std. 595 25109 over Phosphoric Etch

Cover: 2.03mm (.080) thick aluminum #1100-H14

Finish: Clear anodized per MIL-A-8625

Screws: 4 each #4-40 x 6.35mm (1/4") per MS 35208-12 with clear irridite dip.

8 each #4-40 x 6.35mm (1/4") Phillips binding head. Steel

RATINGS:

Operating Voltage: Inner conductor/Shield: 1000 VRMS Max.

Operating Temperature: -55°C to +150°C

Nominal Impedance: 50 Ohms

ORDERING INFORMATION: Model 2902



All dimensions are in inches. Tolerances (except noted): .xx = ±.02" (.51 mm), .xxx = ±.005" (.127 mm).

All specifications are to the latest revisions. Specifications are subject to change without notice.

Registered trademarks are the property of their respective companies. Made in USA

Looking for pricing, stock, or lifecycle information?

Click below to explore more details on WIN SOURCE:

-  [View 2902 on WIN SOURCE](#)
-  [Pomona Electronics](#) Information

Optimize Your Supply Chain with WIN SOURCE Solutions

-  Global Sourcing Solution
-  Obsolete Management
-  Cost Control Management
-  Shortage Management
-  Alternative Solution
-  Excess Inventory Management