



THE DATASHEET OF MPL115A1



MPL115A1

Miniature SPI digital barometer, 50 kPa to 115 kPa

Rev. 8.1 — 17 May 2024

Product data sheet



1 General description

The MPL115A1 is an absolute pressure sensor with a digital SPI output targeting low-cost applications. A miniature 5 x 3 x 1.2 mm LGA package is ideally suited for the space constrained requirements of portable electronic devices. Low current consumptions of 5 μ A during Active mode and 1 μ A during Shutdown (Sleep) mode are essential when focusing on low-power applications. The wide operating temperature range spans from -40 °C to $+105$ °C to fit demanding environment conditions.

The MPL115A1 employs a MEMS pressure sensor with a conditioning IC to provide accurate pressure measurements from 50 kPa to 115 kPa. An integrated ADC converts pressure and temperature sensor readings to digitized outputs via a SPI port. Factory calibration data is stored internally in an onboard ROM. Utilizing the raw sensor output and calibration data, the host microcontroller executes a compensation algorithm to render *Compensated Absolute Pressure* with ± 1 kPa accuracy.

The MPL115A1 pressure sensor's small form factor, low-power capability, precision, and digital output optimize it for barometric measurement applications.

2 Features

- Digitized pressure and temperature information together with programmed calibration coefficients for host micro use.
- Factory calibrated
- 50 kPa to 115 kPa absolute pressure
- ± 1 kPa accuracy
- 2.375 V to 5.5 V supply
- Integrated ADC
- SPI Interface
- Monotonic pressure and temperature data outputs
- Surface mount RoHS compliant package

3 Applications

- Barometry (portable and desktop)
- Altimeters
- Weather stations
- Hard-disk drives (HDD)
- Industrial equipment
- Health monitoring
- Air control systems



4 Ordering information

Table 1. Ordering information

Type number	Package		
	Name	Description	Version
MPL115A1	TSON8	LGA 8 I/O, 3 X 5 X 1.25 PITCH, SENSOR 1.2MAX MM PKG	SOT1769-1

4.1 Ordering options

Table 2. Ordering options

Device Name	Package Options	# of Ports			Pressure Type			Digital Interface
		None	Single	Dual	Gauge	Differential	Absolute	
MPL115A1T1	Tape and Reel (1000)	•					•	SPI

5 Block diagram

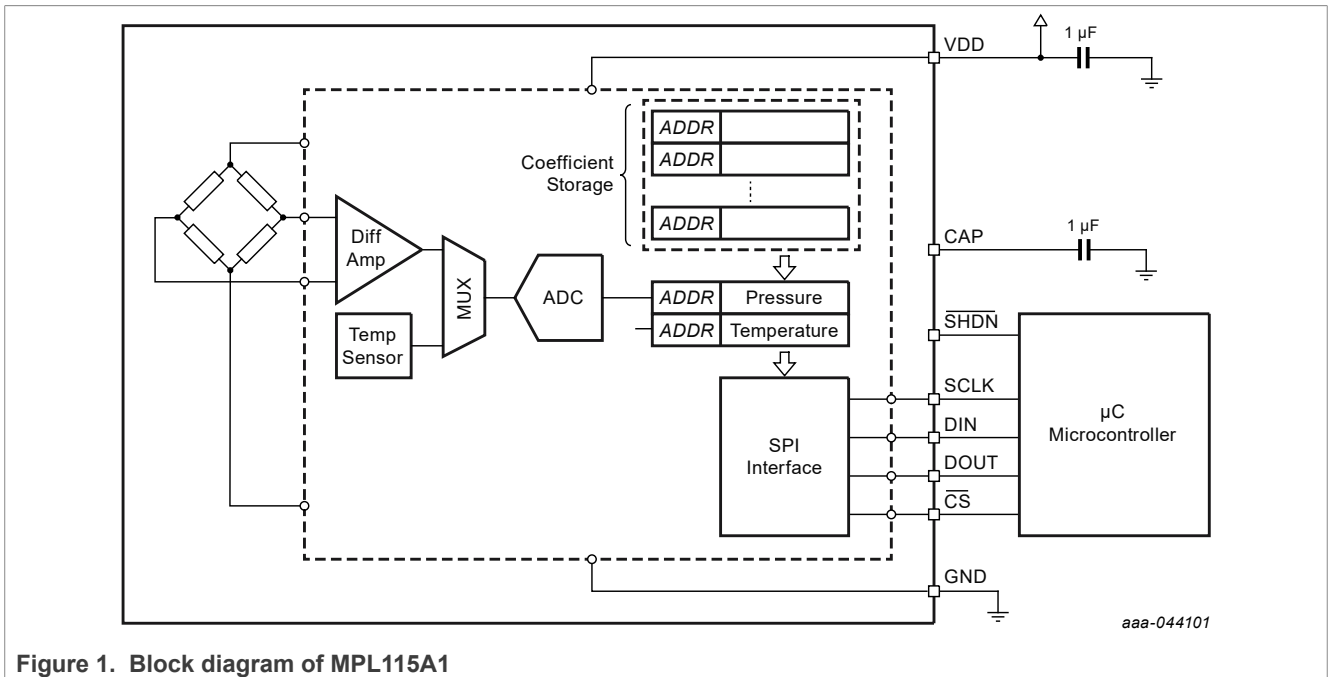


Figure 1. Block diagram of MPL115A1

6 Pinning information

6.1 Pinning

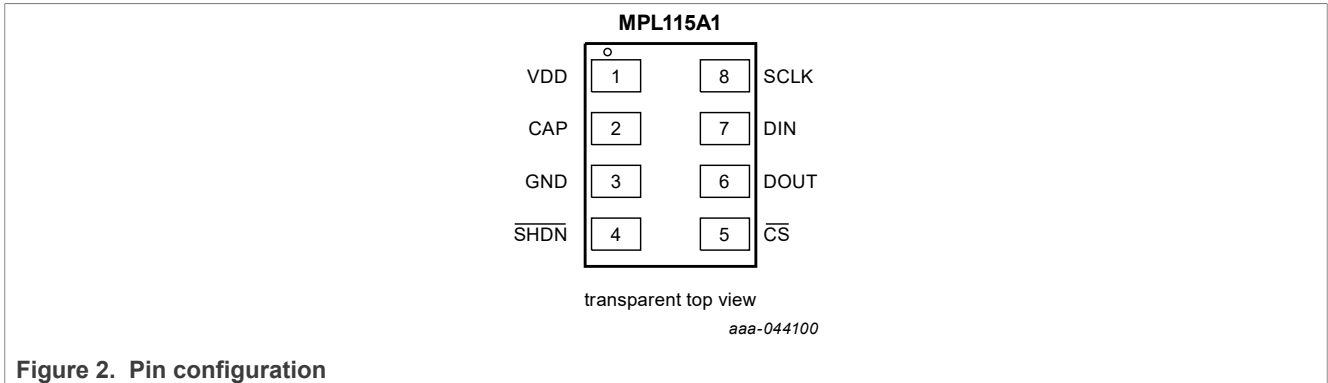


Figure 2. Pin configuration

6.2 Pin description

Table 3. Pin description

Pin	Name	Function
1	VDD	Power Supply Connection. VDD range is 2.375 V to 5.5 V.
2	CAP	External Capacitor: Output decoupling capacitor for main internal regulator. Connect a 1 μF ceramic capacitor to ground.
3	GND	Ground
4	$\overline{\text{SHDN}}$	Shutdown: Connect to GND to disable the device. When in shutdown, the part draws no more than 1 μA supply current and all communications pins ($\overline{\text{CS}}$, SCLK, DOUT, DIN) are high impedance. Connect to VDD for normal operation.
5	$\overline{\text{CS}}$	Chip Select line.
6	DOUT	Serial data output
7	DIN	Serial data input
8	SCLK	Serial clock input.

7 Handling and board mount recommendations

The sensor die is sensitive to light exposure. Direct light exposure through the port hole can lead to varied accuracy of pressure measurement. Avoid such exposure to the port during normal operation.

7.1 Methods of handling

Components can be picked from the carrier tape using either the vacuum assist or the mechanical type pickup heads. A vacuum assist nozzle type is most common due to its lower cost of maintenance and ease of operation. The recommended vacuum nozzle configuration should be designed to make contact with the device directly on the metal cover and avoid vacuum port location directly over the vent hole in the metal cover of the device. Multiple vacuum ports within the nozzle may be required to effectively handle the device and prevent shifting during movement to placement position.

Vacuum pressure required to adequately support the component should be approximately 25 inches Hg (85 kPa). This level is typical of in-house vacuum supply. Pickup nozzles are available in various sizes and

configurations to suit a variety of component geometries. To select the nozzle best suited for the specific application, NXP recommends that the customer consult their pick and place equipment supplier to determine the correct nozzle. In some cases, it may be necessary to fabricate a special nozzle depending on the equipment and speed of operation.

Tweezers or other mechanical forms of handling that have a sharp point are not recommended since they can inadvertently be inserted into the vent hole of the device. These handling methods can lead to a puncture of the MEMS element that renders the device inoperable.

7.2 Board mount recommendations

Components can be mounted using solder paste stencil, screen printed or dispensed onto the PCB pads prior to placement of the component. The volume of solder paste applied to the PCB is normally sufficient to secure the component during transport to the subsequent reflow soldering process. Use of adhesives to secure the component is not recommended, but where necessary can be applied to the underside of the device.

Solder pastes are available in variety of metal compositions, particle size, and flux types. The solder paste consists of metals and flux required for a reliable connection between the component lead and the PCB pad. Flux aids the removal of oxides that may be present on PCB pads and prevents further oxidation from occurring during the solder process.

The use of a No-Clean (NC) flux is recommended for exposed cavity components. Using pressure spray, wire brush, or other methods of cleaning is not recommended since it can puncture the MEMS device and render it unusable. If cleaning of the PCB is performed, Water Soluble (WS) flux can be used. NXP recommends protecting the component cavity using adhesive Kapton tape, vinyl cap, or other means prior to the cleaning process. This covering prevents damage to the MEMS device, contamination, and foreign materials from being introduced into device cavity as result of cleaning processes.

Ultrasonic cleaning is not recommended as the frequencies can damage wire bond interconnections and the MEMS device.

8 Functional description

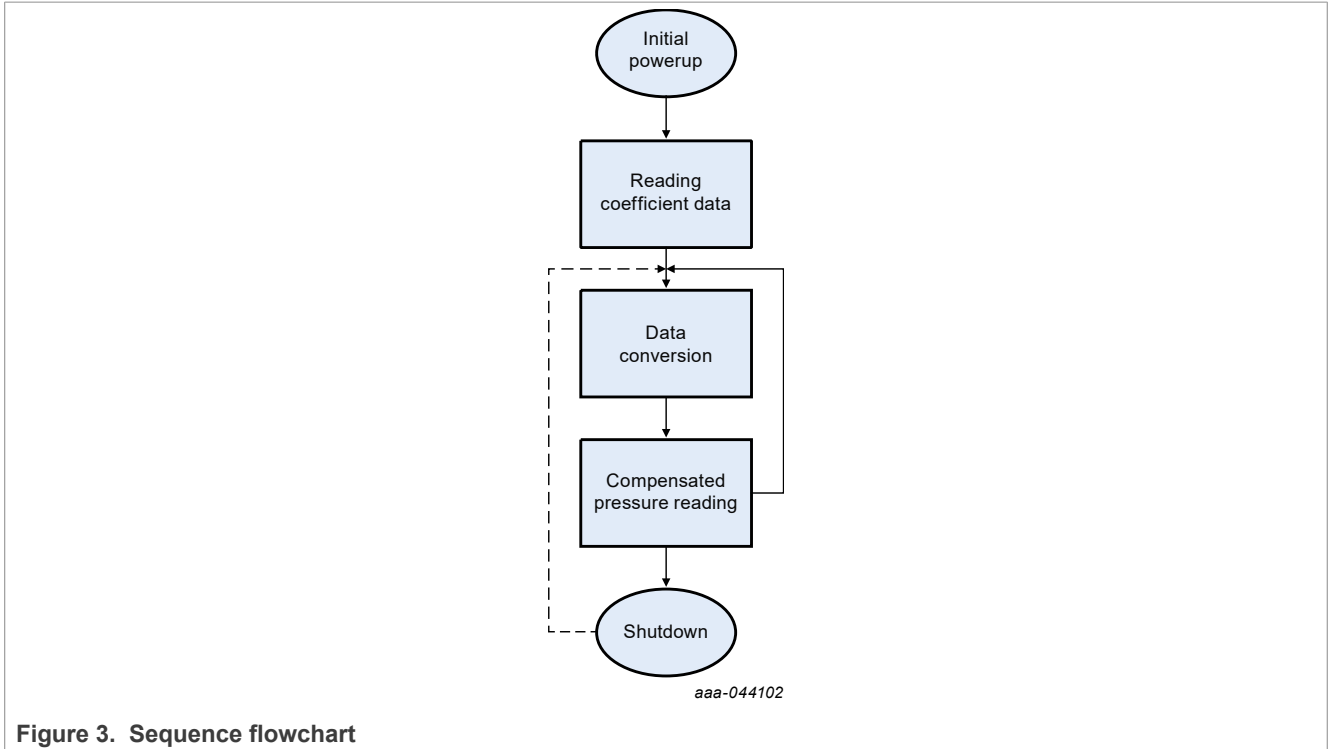


Figure 3. Sequence flowchart

The MPL115A interfaces to a host (or system) microcontroller in the user’s application. All communications are via SPI. A typical usage sequence is as follows:

Initial power-up

All circuit elements are active. SPI port pins are high impedance and associated registers are cleared. The device then enters Standby mode.

Reading coefficient data

The user then typically accesses the part and reads the coefficient data. The main circuits within the client device are disabled during read activity. The coefficients are usually stored in the host microcontroller local memory but can be re-read at any time.

Reading of the coefficients may be executed only once and the values stored in the host microcontroller. It is not necessary to read this multiple times because the coefficients within a device are constant and do not change. However, note that the coefficients are different from device to device, and cannot be used for another part.

Data conversion

This is the first step that is performed each time a new pressure reading is required which is initiated by the host sending the CONVERT command. The main system circuits are activated (wake) in response to the command and after the conversion completes, the result is placed into the Pressure and Temperature ADC output registers.

The conversion completes within the maximum conversion time, t_c (see row 6, in Table 11). The device then enters Standby mode.

Compensated pressure reading

After the conversion has been given sufficient time to complete, the host microcontroller reads the result from the ADC output registers and calculates the Compensated Pressure, a barometric/atmospheric pressure value which is compensated for changes in temperature and pressure sensor linearity. This is done using the coefficient data from the MPL115A and the raw sampled pressure and temperature ADC output values, in a compensation equation (detailed later). Note that this is an absolute pressure measurement with a vacuum as a reference.

From this step, the host controller may either wait and then return to the Data Conversion step to obtain the next pressure reading or it may go to the Shutdown step.

Shutdown

For longer periods of inactivity, the user may assert the $\overline{\text{SHDN}}$ input by driving this pin low to reduce system power consumption. This removes power from all internal circuits, including any registers. In the shutdown state, the Pressure and Temperature registers are reset, losing any previous ADC output values.

This step is exited by taking the $\overline{\text{SHDN}}$ pin high. Wait for the maximum wake-up time, t_w (see row 7, in Table 11), after which another pressure reading can be taken by transitioning to the data Conversion step.

Table 4. Device memory map

Address	Name	Description
00h	Padc_MSB	10-bit Pressure ADC output value MSB
01h	Padc_LSB	10-bit Pressure ADC output value LSB
02h	Tadc_MSB	10-bit Temperature ADC output value MSB
03h	Tadc_LSB	10-bit Temperature ADC output value LSB
04h	a0_MSB	a0 coefficient MSB
05h	a0_LSB	a0 coefficient LSB
06h	b1_MSB	b1 coefficient MSB
07h	b1_LSB	b1 coefficient LSB
08h	b2_MSB	b2 coefficient MSB
09h	b2_LSB	b2 coefficient LSB
0Ah	c12_MSB	c12 coefficient MSB
0Bh	c12_LSB	c12 coefficient LSB
0Ch	reserved ^[1]	—
0Dh	reserved ^[1]	—
0Eh	reserved ^[1]	—
0Fh	reserved ^[1]	—
10h	reserved	—
11h	reserved	—
12h	CONVERT	Start Pressure and Temperature Conversion

[1] This register is set to 00h. It is reserved, and was previously utilized as Coefficient values, c11 and c22, which were always 00h.

For values with less than 16 bits, the lower LSBs are zero. For example, c12 is 14 bits and is stored into 2 bytes as follows:

c12 MSB = c12[13:6] = [c12_{b13}, c12_{b12}, c12_{b11}, c12_{b10}, c12_{b9}, c12_{b8}, c12_{b7}, c12_{b6}]
 c12 LSB = c12[5:0] & "00" = [c12_{b5}, c12_{b4}, c12_{b3}, c12_{b2}, c12_{b1}, c12_{b0}, 0, 0]

8.1 Pressure, temperature, and coefficient bit-width specifications

The table below specifies the initial coefficient bit-width specifications for the compensation algorithm and the specifications for Pressure and Temperature ADC values.

Table 5. Pressure, temperature, and compensation coefficient specifications

	a0	b1	b2	c12	Padc	Tadc
Total Bits	16	16	16	14	10	10
Sign Bits	1	1	1	1	0	0
Integer Bits	12	2	1	0	10	10
Fractional Bits	3	13	14	13	0	0
dec pt zero pad	0	0	0	9	0	0

Example Binary Format Definitions:

a0 Signed, Integer Bits = 12, Fractional Bits = 3 :	Coeff a0 = S I ₁₁ I ₁₀ I ₉ I ₈ I ₇ I ₆ I ₅ I ₄ I ₃ I ₂ I ₁ I ₀ . F ₂ F ₁ F ₀
b1 Signed, Integer Bits = 2, Fractional Bits = 13 :	Coeff b1 = S I ₁ I ₀ . F ₁₂ F ₁₁ F ₁₀ F ₉ F ₈ F ₇ F ₆ F ₅ F ₄ F ₃ F ₂ F ₁ F ₀
b2 Signed, Integer Bits = 1, Fractional Bits = 14 :	Coeff b2 = S I ₀ . F ₁₃ F ₁₂ F ₁₁ F ₁₀ F ₉ F ₈ F ₇ F ₆ F ₅ F ₄ F ₃ F ₂ F ₁ F ₀
c12 Signed, Integer Bits = 0, Fractional Bits = 13, dec pt zero pad = 9 :	Coeff c12 = S 0 . 000 000 000 F ₁₂ F ₁₁ F ₁₀ F ₉ F ₈ F ₇ F ₆ F ₅ F ₄ F ₃ F ₂ F ₁ F ₀
Padc Unsigned, Integer Bits = 10 :	Padc U = I ₉ I ₈ I ₇ I ₆ I ₅ I ₄ I ₃ I ₂ I ₁ I ₀
Tadc Unsigned, Integer Bits = 10 :	Tadc U = I ₉ I ₈ I ₇ I ₆ I ₅ I ₄ I ₃ I ₂ I ₁ I ₀

Note: Negative coefficients are coded in two's complement notation.

8.2 Compensation

The 10-bit compensated pressure output, Pcomp, is calculated as follows:

$$P_{comp} = a0 + (b1 + c12 \cdot Tadc) \cdot Padc + b2 \cdot Tadc \tag{1}$$

Where:

- Padc is the 10-bit pressure ADC output of the MPL115A
- Tadc is the 10-bit temperature ADC output of the MPL115A
- a0 is the pressure offset coefficient
- b1 is the pressure sensitivity coefficient
- b2 is the temperature coefficient of offset (TCO)
- c12 is the temperature coefficient of sensitivity (TCS)

Pcomp produces a value of 0 with an input pressure of 50 kPa and produces a full-scale value of 1023 with an input pressure of 115 kPa.

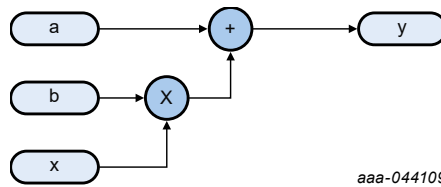
$$\text{Pressure (kPa)} = P_{comp} \cdot \left[\frac{115-50}{1023} \right] + 50 \tag{2}$$

8.3 Evaluation sequence, arithmetic circuits

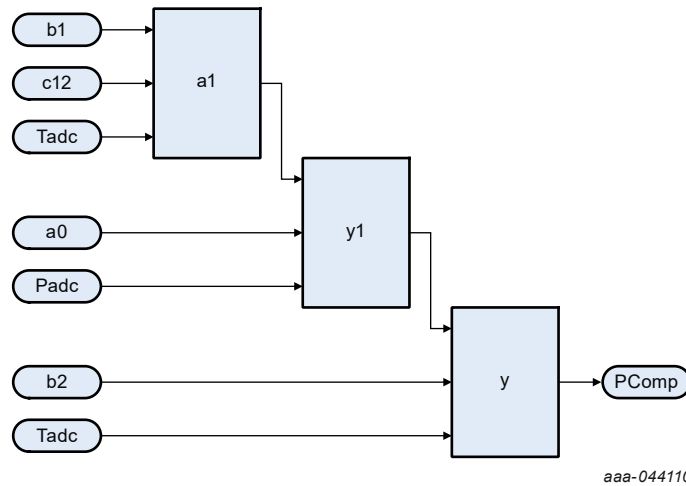
The following is an example of the calculation for Pcomp, the compensated pressure output. Input values are in bold.

$$\begin{aligned}
 c12x2 &= \mathbf{c12} * \mathbf{Tadc} \\
 a1 &= \mathbf{b1} + c12x2 \\
 a1x1 &= a1 * \mathbf{Padc} \\
 y1 &= \mathbf{a0} + a1x1 \\
 a2x2 &= \mathbf{b2} * \mathbf{Tadc} \\
 Pcomp &= y1 + a2x2
 \end{aligned}$$

This can be calculated as a succession of Multiply Accumulates (MACs) operations of the form $y = a + b * x$:



The polynomial can be evaluated ([Equation 1](#)) as a sequence of 3 MACs:



Refer to NXP application note AN3785 for more detailed notes on implementation.

8.4 SPI device read/write operations

All device read/write operations are memory mapped. Device actions, for example, "Start Conversions" are controlled by writing to the appropriate memory address location. All memory address locations are 6-bit (see [Table 2](#)).

The 8-bit command word comprises:

- the most significant bit which is the Read/Write identifier which is '1' for read operations and '0' for write operations.
- the 6-bit address (from [Table 4](#));
- the least significant bit which is not used and is don't care (X).

The device write commands are shown in [Table 6](#).

Table 6. SPI write command

Legend: X = don't care

Command	Binary	HEX ^[1]
Start Conversions	0010010X	24h

[1] The command byte must be paired with a 00h as part of the SPI exchange to complete the passing of *Start Conversions*.

The actions taken by the part in response to each command are as follows:

Table 7. SPI Write command description

Command	Action taken
Start Conversions	Wake main circuits. Start clock. Allow supply stabilization time. Select pressure sensor input. Apply positive sensor excitation and perform A to D conversion. Select temperature input. Perform A to D conversion. Load the Pressure and Temperature registers with the result. Shut down main circuits and clock.

SPI Read operations are performed by sending the required address with a leading *Read* bit set to '1'. SPI operations require that each byte be addressed individually. All data is transmitted most significant bit first.

Table 8. Example SPI Read Commands

Legend: X = don't care

Command	Binary	HEX ^[1]
Read Pressure MSB	1000000X	80h
Read Pressure LSB	1000001X	82h
Read Temperature MSB	1000010X	84h
Read Temperature LSB	1000011X	86h
Read Coefficient data byte 1	1000100X	88h

[1] The command byte must be paired with a 00h as part of the SPI exchange to complete the passing of stated command.

8.5 SPI timing

[Table 9](#) and [Figure 4](#) describe the timing requirements for the SPI system.

Table 9. SPI timing

Ref	Symbol	Function	Min	Max	Unit
1	Of	Operating Frequency	—	8	MHz
2	tSCLK	SCLK Period	125	—	ns
3	tCLKH	SCLK High time	62.5	—	ns
4	tCLKL	SCLK Low time	62.5	—	ns
5	tSCS	Enable lead time	125	—	ns

Table 9. SPI timing...continued

Ref	Symbol	Function	Min	Max	Unit
6	tHCS	Enable lag time	125	—	ns
7	tSET	Data setup time	30	—	ns
8	tHOLD	Data hold time	30	—	ns
9	tDDLY	Data valid (after SCLK low edge)	—	32	ns
10	tWCS	Width CS High	30	—	ns

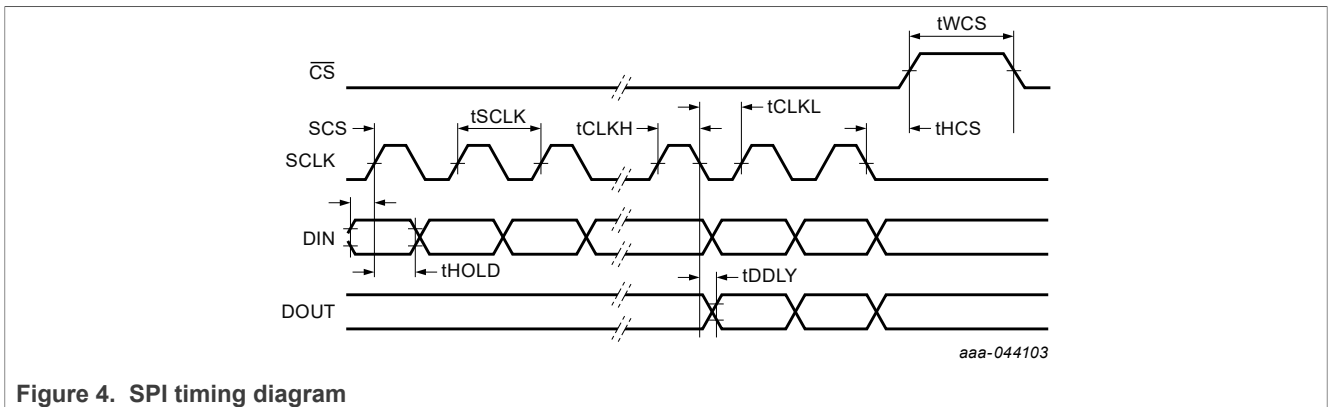


Figure 4. SPI timing diagram

8.6 Example of SPI reading of coefficients

These are MPL115A1 SPI commands to read coefficients, execute Pressure and Temperature conversions, and to read Pressure and Temperature data. The sequence of the commands for the interaction is given as an example to operate the MPL115A1. Utilizing this gathered data, an example of the calculating the Compensated Pressure reading is given in floating point notation.

SPI Commands (simplified for communication)

- Command to Write "Convert Pressure and Temperature" = 24h
- Command to Read "Pressure ADC High byte" = 80h
- Command to Read "Pressure ADC Low byte" = 82h
- Command to Read "Temperature ADC High byte" = 84h
- Command to Read "Temperature ADC Low byte" = 86h
- Command to Read "Coefficient data byte 1 High byte" = 88h

Read coefficients:

[CS=0], [88h], [00h], [8Ah], [00h], [8Ch], [00h], [8Eh], [00h], [90h], [00h], [92h], [00h], [94h], [00h], [96h], [00h], [00h], [CS=1]

Start pressure and temperature conversion, read raw pressure:

[CS=0], [24h], [00h], [CS=1], [3 ms Delay]

[CS=0], [80h], [00h], [82h], [00h], [84h], [00h], [86h], [00h], [00h], [CS=1]

Note: Extra [00h] at the end of each sequence to output the last data byte on the client side of the SPI.

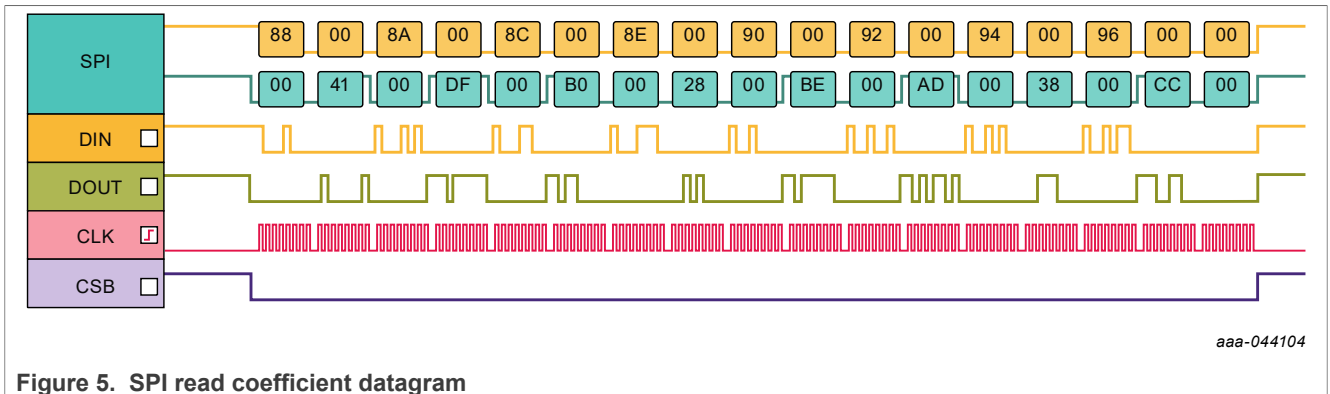


Figure 5. SPI read coefficient datagram

a0 coefficient MSB	=	41h			
a0 coefficient LSB	=	DFh	a0 coefficient	=	41DFh = 2107.875
b1 coefficient MSB	=	B0h			
b1 coefficient LSB	=	28h	b1 coefficient	=	B028h = -2.49512
b2 coefficient MSB	=	BEh			
b2 coefficient LSB	=	ADh	b2 coefficient	=	BEADh = -1.02069
c12 coefficient MSB	=	38h			
c12 coefficient LSB	=	CCh	c12 coefficient	=	38CCh = 0.00086665

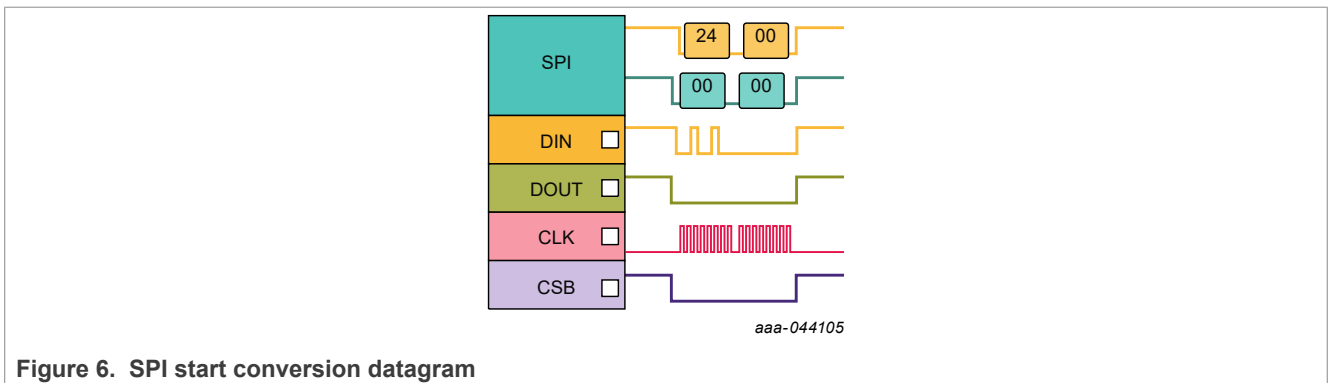


Figure 6. SPI start conversion datagram

Command to start pressure and temperature conversion, 24h.

$$\begin{aligned} \text{Pressure (kPa)} &= P_{comp} \cdot \left[\frac{115-50}{1023} \right] + 50 \\ &= 96.59 \text{ kPa} \\ &= 733.19 \cdot \left[\frac{115-50}{1023} \right] + 50 \end{aligned}$$

9 Maximum ratings

Table 10. Maximum ratings

Voltage (with respect to GND unless otherwise noted)

Symbol	Value	Units
V _{DD}	-0.3 to +5.5	V
SHDN, SCLK, CS, D _{IN} , D _{OUT}	-0.3 to V _{DD} + 0.3	V
Operating Temperature Range	-40 to +105	°C
Storage Temperature Range	-40 to +125	°C
Overpressure	1000	kPa

10 Mechanical and electrical characteristics

Table 11. Mechanical and electrical characteristics

V_{DD} = 2.375 V to 5.5 V, T_A = -40 °C to +105 °C, unless otherwise noted. Typical values are at V_{DD} = 3.3 V, T_A = +25 °C.

Ref	Parameters	Symbol	Conditions	Min	Typ	Max	Units
1	Operating Supply Voltage	V _{DD}		2.375	3.3	5.5	V
2	Supply Current	I _{DD}	Shutdown (SHDN = GND)	—	—	1	µA
			Standby	—	3.5	10	µA
			Average – at one measurement per second	—	5	—	µA
Pressure Sensor							
3	Range			50	—	115	kPa
4	Resolution			—	0.15	—	kPa
5	Accuracy		-20 °C to 85 °C	—	—	±1	kPa
6	Conversion Time (Start Pressure and Temperature Conversion)	t _c	Time between start convert command and data available in the Pressure and Temperature registers	—	1.6	3	ms
7	Wake-up Time	t _w	Time between leaving Shutdown mode (SHDN goes high) and communicating with the device to issue a command or read data.	—	3	5	ms
SPI Inputs: SCLK, CS, D_{IN}							

Table 11. Mechanical and electrical characteristics...continued

$V_{DD} = 2.375\text{ V to }5.5\text{ V}$, $T_A = -40\text{ °C to }+105\text{ °C}$, unless otherwise noted. Typical values are at $V_{DD} = 3.3\text{ V}$, $T_A = +25\text{ °C}$.

Ref	Parameters	Symbol	Conditions	Min	Typ	Max	Units
8	SCLK Clock Frequency	f_{SCLK}	[1]	—	—	8	MHz
9	Low-level Input Voltage	VIL		—	—	$0.3V_{DD}$	V
10	High-level Input Voltage	VIH		$0.7V_{DD}$	—	—	V
SPI Outputs: D_{OUT}							
11	Low-level Output Voltage	VOL1	At 3 mA sink current	0	—	0.4	V
		VOL2	At 6 mA sink current	0	—	0.6	
12	High-level Output Voltage	VOH1	At 3 mA source current	$V_{DD} - 0.4$	—	—	

[1] Nominal maximum SPI clock frequency.

11 Package outline

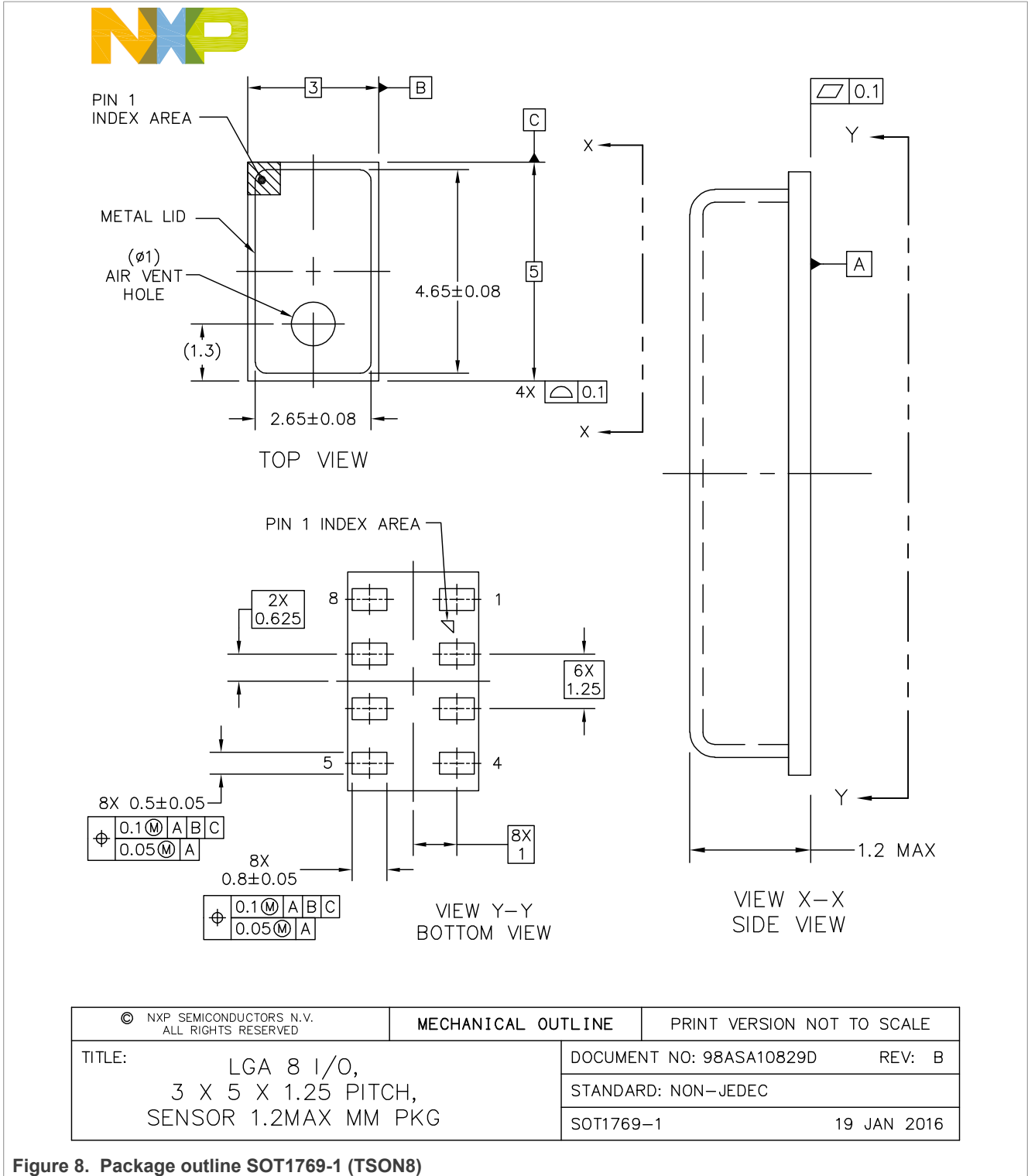


Figure 8. Package outline SOT1769-1 (TSON8)



NOTES:

1. ALL DIMENSIONS IN MILLIMETERS.
2. DIMENSIONING AND TOLERANCING PER ASME Y14.5M-1994
3. STYLE:

PIN 1: VDD	PIN 5: CS
PIN 2: CAP	PIN 6: DOUT
PIN 3: GND	PIN 7: DIN
PIN 4: SHDN	PIN 8: SCLK

© NXP SEMICONDUCTORS N.V. ALL RIGHTS RESERVED	MECHANICAL OUTLINE	PRINT VERSION NOT TO SCALE
TITLE: LGA 8 I/O, 3 X 5 X 1.25 PITCH SENSOR 2.0MM PKG	DOCUMENT NO: 98ASA10829D	REV: B
	STANDARD: NON-JEDEC	
	SOT1769-1	19 JAN 2016

Figure 9. Package outline notes SOT1769-1 (TSON8)

12 Packing information

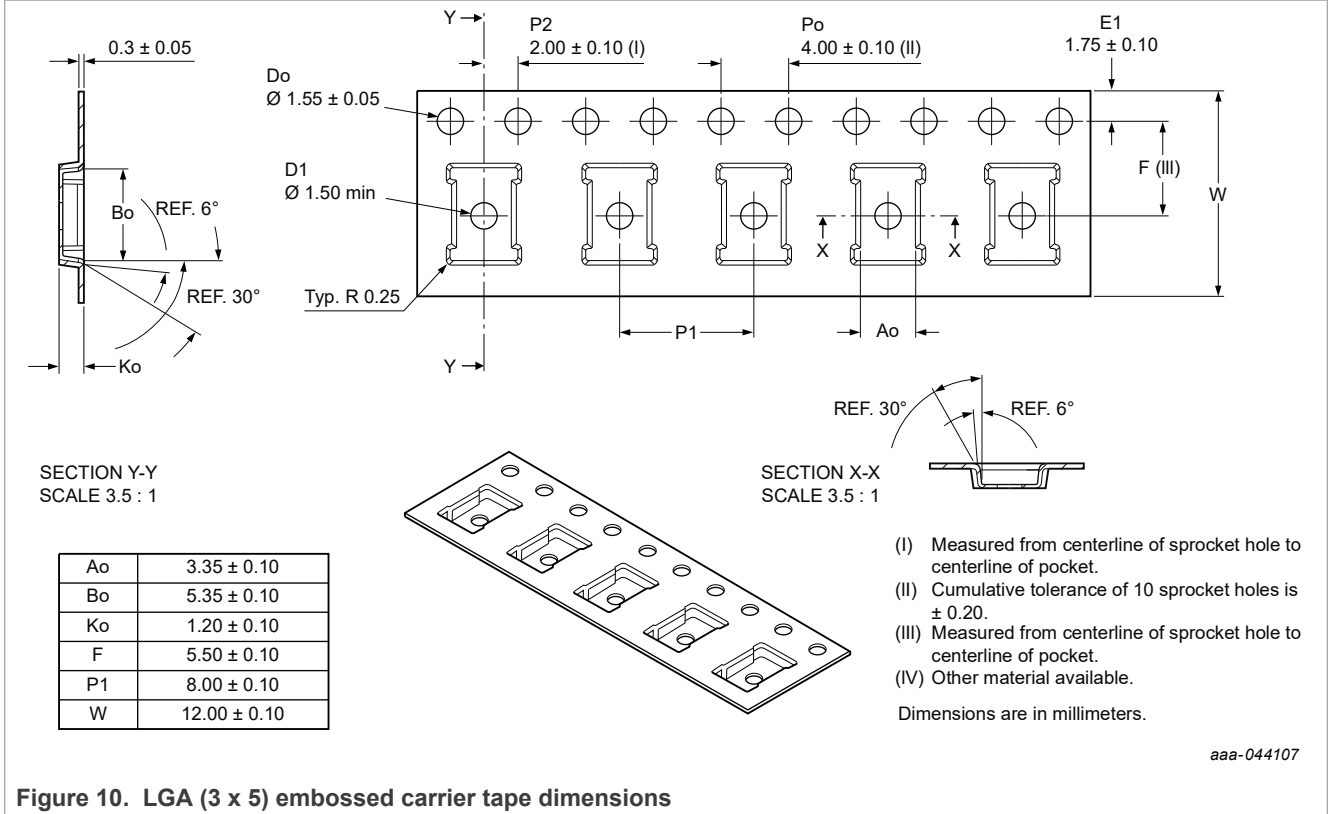


Figure 10. LGA (3 x 5) embossed carrier tape dimensions

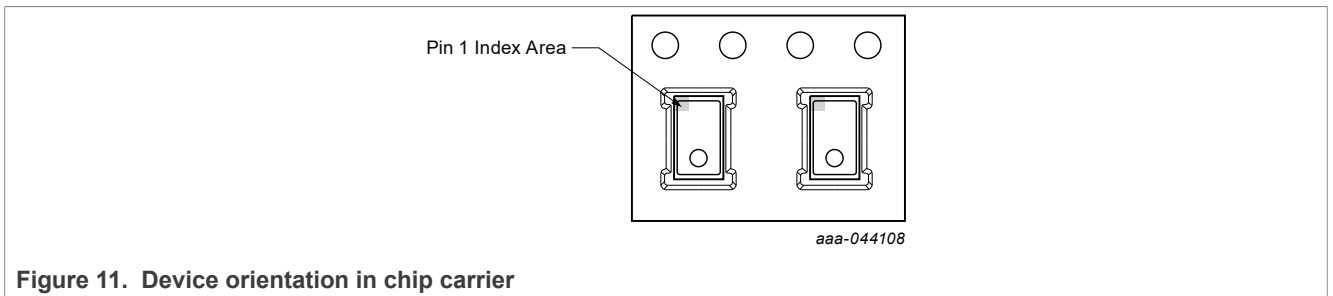


Figure 11. Device orientation in chip carrier

13 Soldering

1. Use SAC solder alloy, Sn-Ag-Cu, with a melting point of about 217 °C. NXP recommends using SAC305, Sn-3.0 wt.% Ag-0.5 wt.% Cu.
2. Reflow
 - Ramp up rate: 2 °C/s to 3 °C/s.
 - Preheat flat (soak): 110 s to 130 s.
 - Reflow peak temperature: 250 °C to 260 °C (depends on exact SAC alloy composition).
 - Time above 217°C: 40 s to 90 s (depends on board type, thermal mass of the board/quantities in the reflow).
 - Ramp down: 5 °C/s to 6 °C/s.
 - Using an inert reflow environment (with O₂ level about 5 ppm to 15 ppm).

Note: The stress level and signal offset of the device also depends on the board type, board core material, board thickness, and metal finishing of the board.

14 Soldering/landing pad information

The LGA package is compliant with the RoHS standard. NXP recommends using a no-clean solder paste to reduce cleaning exposure to high pressure and chemical agents that can damage or reduce life span of the Pressure sensing element.

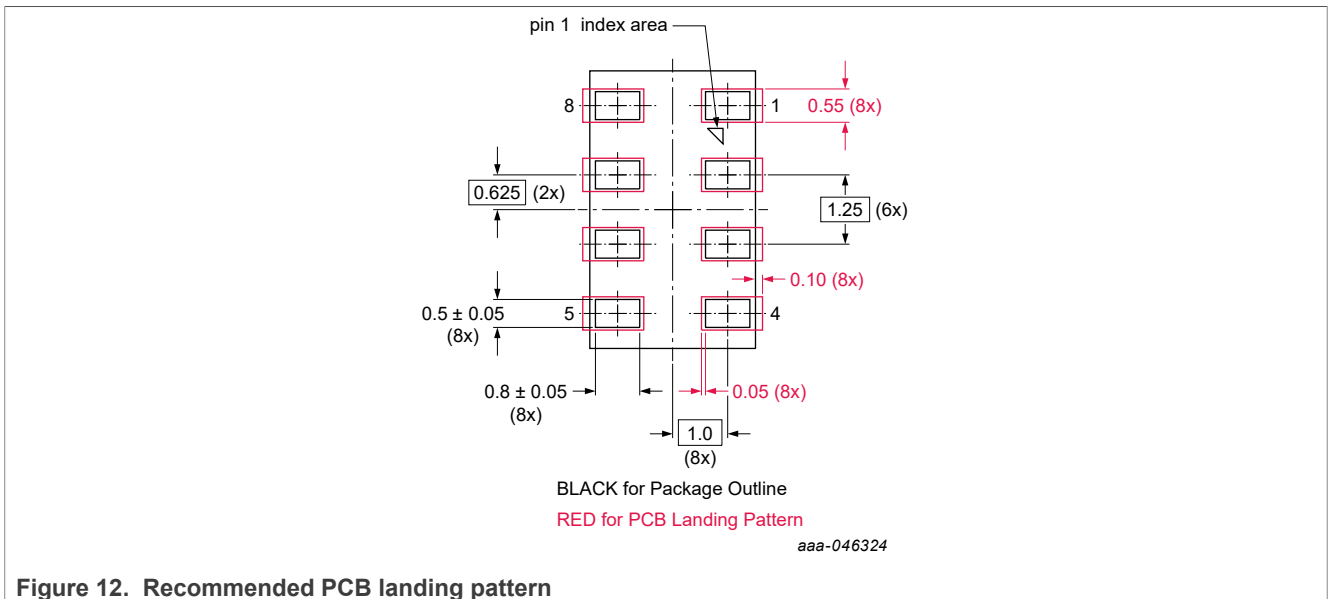


Figure 12. Recommended PCB landing pattern

15 Revision history

Table 12. Revision history

Document ID	Release date	Description
MPL115A1 v.8.1	17 May 2024	<ul style="list-style-type: none"> MPL115A1 v.8.1 supercedes MPL115A1 v.8. Revised cover page image. MPL115A1 v.8.1 is a product data sheet, updated the document status terminology from the former "Technical data" status to "Product data sheet" status. Performed minor grammatical and typographical corrections throughout. Updated the document formatting, revision history and legal information sections to comply with new NXP documentation guidelines. Updated all images to conform to NXP image standards and assigned graphic identifiers to each image. Changed all references of "slave" to "client" to conform to the NXP inclusive language initiative. Section 11, split the package outline images into separate figures. Section 12, Figure 10, revised dimension "T" from "0.25 ± 0.05" to "0.3 ± 0.05".
MPL115A1 v.8	10 October 2017	<ul style="list-style-type: none"> MPL115A1 v.8 supercedes MPL115A1 v.7. MPL115A1 v.8 is a product data sheet. The format of this data sheet has been redesigned to comply with the new identity guidelines of NXP Semiconductors. Legal texts have been adapted to the new company name where appropriate. Removed the first paragraph of Section 7. Added Section 7.1 and Section 7.2 in Section 7 "Handling and board mount recommendations" Updated Figure 8. No technical changes.
MPL115A1 v.7	February 2013	<ul style="list-style-type: none"> MPL115A1 v.7 supercedes prior version of MPL115A1. MPL115A1 v.7 is a product data sheet. Changed Example Binary format definitions b1 signed from 7 to 13, added F₁₁ to Coeff b1, b2, and c12 on page 6. Removed MPL115A1T2 from ordering table.

Legal information

Data sheet status

Document status ^{[1][2]}	Product status ^[3]	Definition
Objective [short] data sheet	Development	This document contains data from the objective specification for product development.
Preliminary [short] data sheet	Qualification	This document contains data from the preliminary specification.
Product [short] data sheet	Production	This document contains the product specification.

[1] Please consult the most recently issued document before initiating or completing a design.

[2] The term 'short data sheet' is explained in section "Definitions".

[3] The product status of device(s) described in this document may have changed since this document was published and may differ in case of multiple devices. The latest product status information is available on the Internet at URL <https://www.nxp.com>.

Definitions

Draft — A draft status on a document indicates that the content is still under internal review and subject to formal approval, which may result in modifications or additions. NXP Semiconductors does not give any representations or warranties as to the accuracy or completeness of information included in a draft version of a document and shall have no liability for the consequences of use of such information.

Short data sheet — A short data sheet is an extract from a full data sheet with the same product type number(s) and title. A short data sheet is intended for quick reference only and should not be relied upon to contain detailed and full information. For detailed and full information see the relevant full data sheet, which is available on request via the local NXP Semiconductors sales office. In case of any inconsistency or conflict with the short data sheet, the full data sheet shall prevail.

Product specification — The information and data provided in a Product data sheet shall define the specification of the product as agreed between NXP Semiconductors and its customer, unless NXP Semiconductors and customer have explicitly agreed otherwise in writing. In no event however, shall an agreement be valid in which the NXP Semiconductors product is deemed to offer functions and qualities beyond those described in the Product data sheet.

Disclaimers

Limited warranty and liability — Information in this document is believed to be accurate and reliable. However, NXP Semiconductors does not give any representations or warranties, expressed or implied, as to the accuracy or completeness of such information and shall have no liability for the consequences of use of such information. NXP Semiconductors takes no responsibility for the content in this document if provided by an information source outside of NXP Semiconductors.

In no event shall NXP Semiconductors be liable for any indirect, incidental, punitive, special or consequential damages (including - without limitation - lost profits, lost savings, business interruption, costs related to the removal or replacement of any products or rework charges) whether or not such damages are based on tort (including negligence), warranty, breach of contract or any other legal theory.

Notwithstanding any damages that customer might incur for any reason whatsoever, NXP Semiconductors' aggregate and cumulative liability towards customer for the products described herein shall be limited in accordance with the Terms and conditions of commercial sale of NXP Semiconductors.

Right to make changes — NXP Semiconductors reserves the right to make changes to information published in this document, including without limitation specifications and product descriptions, at any time and without notice. This document supersedes and replaces all information supplied prior to the publication hereof.

Applications — Applications that are described herein for any of these products are for illustrative purposes only. NXP Semiconductors makes no representation or warranty that such applications will be suitable for the specified use without further testing or modification.

Customers are responsible for the design and operation of their applications and products using NXP Semiconductors products, and NXP Semiconductors accepts no liability for any assistance with applications or customer product design. It is customer's sole responsibility to determine whether the NXP Semiconductors product is suitable and fit for the customer's applications and products planned, as well as for the planned application and use of customer's third party customer(s). Customers should provide appropriate design and operating safeguards to minimize the risks associated with their applications and products.

NXP Semiconductors does not accept any liability related to any default, damage, costs or problem which is based on any weakness or default in the customer's applications or products, or the application or use by customer's third party customer(s). Customer is responsible for doing all necessary testing for the customer's applications and products using NXP Semiconductors products in order to avoid a default of the applications and the products or of the application or use by customer's third party customer(s). NXP does not accept any liability in this respect.

Limiting values — Stress above one or more limiting values (as defined in the Absolute Maximum Ratings System of IEC 60134) will cause permanent damage to the device. Limiting values are stress ratings only and (proper) operation of the device at these or any other conditions above those given in the Recommended operating conditions section (if present) or the Characteristics sections of this document is not warranted. Constant or repeated exposure to limiting values will permanently and irreversibly affect the quality and reliability of the device.

Terms and conditions of commercial sale — NXP Semiconductors products are sold subject to the general terms and conditions of commercial sale, as published at <https://www.nxp.com/profile/terms>, unless otherwise agreed in a valid written individual agreement. In case an individual agreement is concluded only the terms and conditions of the respective agreement shall apply. NXP Semiconductors hereby expressly objects to applying the customer's general terms and conditions with regard to the purchase of NXP Semiconductors products by customer.

No offer to sell or license — Nothing in this document may be interpreted or construed as an offer to sell products that is open for acceptance or the grant, conveyance or implication of any license under any copyrights, patents or other industrial or intellectual property rights.

Export control — This document as well as the item(s) described herein may be subject to export control regulations. Export might require a prior authorization from competent authorities.

Suitability for use in non-automotive qualified products — Unless this document expressly states that this specific NXP Semiconductors product is automotive qualified, the product is not suitable for automotive use. It is neither qualified nor tested in accordance with automotive testing or application requirements. NXP Semiconductors accepts no liability for inclusion and/or use of non-automotive qualified products in automotive equipment or applications.

In the event that customer uses the product for design-in and use in automotive applications to automotive specifications and standards, customer (a) shall use the product without NXP Semiconductors' warranty of the product for such automotive applications, use and specifications, and (b) whenever customer uses the product for automotive applications beyond NXP Semiconductors' specifications such use shall be solely at customer's own risk, and (c) customer fully indemnifies NXP Semiconductors for any liability, damages or failed product claims resulting from customer design and use of the product for automotive applications beyond NXP Semiconductors' standard warranty and NXP Semiconductors' product specifications.

Translations — A non-English (translated) version of a document, including the legal information in that document, is for reference only. The English version shall prevail in case of any discrepancy between the translated and English versions.

Security — Customer understands that all NXP products may be subject to unidentified vulnerabilities or may support established security standards or specifications with known limitations. Customer is responsible for the design and operation of its applications and products throughout their lifecycles to reduce the effect of these vulnerabilities on customer's applications and products. Customer's responsibility also extends to other open and/or proprietary technologies supported by NXP products for use in customer's applications. NXP accepts no liability for any vulnerability. Customer should regularly check security updates from NXP and follow up appropriately. Customer shall select products with security features that best meet rules, regulations, and standards of the intended application and make the ultimate design decisions regarding its products and is solely responsible for compliance with all legal, regulatory, and security related requirements concerning its products, regardless of any information or support that may be provided by NXP.

NXP has a Product Security Incident Response Team (PSIRT) (reachable at PSIRT@nxp.com) that manages the investigation, reporting, and solution release to security vulnerabilities of NXP products.

Suitability for use in industrial applications (functional safety) — This NXP product has been qualified for use in industrial applications. It has been developed in accordance with IEC 61508, and has been SIL-classified accordingly. If this product is used by customer in the development of, or for incorporation into, products or services (a) used in safety critical applications or (b) in which failure could lead to death, personal injury, or severe physical or environmental damage (such products and services hereinafter referred to as "Critical Applications"), then customer makes the ultimate design decisions regarding its products and is solely responsible for compliance with all legal, regulatory, safety, and security related requirements concerning its products, regardless of any information or support that may be provided by NXP. As such, customer assumes all risk related to use of any products in Critical Applications and NXP and its suppliers shall not be liable for any such use by customer. Accordingly, customer will indemnify and hold NXP harmless from any claims, liabilities, damages and associated costs and expenses (including attorneys' fees) that NXP may incur related to customer's incorporation of any product in a Critical Application.

NXP B.V. — NXP B.V. is not an operating company and it does not distribute or sell products.

Trademarks

Notice: All referenced brands, product names, service names, and trademarks are the property of their respective owners.

NXP — wordmark and logo are trademarks of NXP B.V.

Tables

Tab. 1.	Ordering information	2	Tab. 7.	SPI Write command description	9
Tab. 2.	Ordering options	2	Tab. 8.	Example SPI Read Commands	9
Tab. 3.	Pin description	3	Tab. 9.	SPI timing	9
Tab. 4.	Device memory map	6	Tab. 10.	Maximum ratings	13
Tab. 5.	Pressure, temperature, and compensation coefficient specifications	7	Tab. 11.	Mechanical and electrical characteristics	13
Tab. 6.	SPI write command	9	Tab. 12.	Revision history	19

Figures

Fig. 1.	Block diagram of MPL115A1	2	Fig. 8.	Package outline SOT1769-1 (TSON8)	15
Fig. 2.	Pin configuration	3	Fig. 9.	Package outline notes SOT1769-1 (TSON8)	16
Fig. 3.	Sequence flowchart	5	Fig. 10.	LGA (3 x 5) embossed carrier tape dimensions	17
Fig. 4.	SPI timing diagram	10	Fig. 11.	Device orientation in chip carrier	17
Fig. 5.	SPI read coefficient datagram	11	Fig. 12.	Recommended PCB landing pattern	18
Fig. 6.	SPI start conversion datagram	11			
Fig. 7.	SPI read results datagram	12			



Contents

1	General description	1
2	Features	1
3	Applications	1
4	Ordering information	2
4.1	Ordering options	2
5	Block diagram	2
6	Pinning information	3
6.1	Pinning	3
6.2	Pin description	3
7	Handling and board mount recommendations	3
7.1	Methods of handling	3
7.2	Board mount recommendations	4
8	Functional description	5
8.1	Pressure, temperature, and coefficient bit- width specifications	7
8.2	Compensation	7
8.3	Evaluation sequence, arithmetic circuits	8
8.4	SPI device read/write operations	8
8.5	SPI timing	9
8.6	Example of SPI reading of coefficients	10
8.7	Example of pressure compensated calculation in floating-point notation	12
9	Maximum ratings	13
10	Mechanical and electrical characteristics ...	13
11	Package outline	15
12	Packing information	17
13	Soldering	18
14	Soldering/landing pad information	18
15	Revision history	19
	Legal information	20

Please be aware that important notices concerning this document and the product(s) described herein, have been included in section 'Legal information'.

Looking for pricing, stock, or lifecycle information?

Click below to explore more details on WIN SOURCE:

-  [View MPL115A1 on WIN SOURCE](#)
-  [NXP / Nexperia Information](#)

Optimize Your Supply Chain with WIN SOURCE Solutions

-  Global Sourcing Solution
-  Obsolete Management
-  Cost Control Management
-  Shortage Management
-  Alternative Solution
-  Excess Inventory Management