



**THE DATASHEET OF
ADD8505WRUZ**



FEATURES

- Single-supply operation: 3.3 V to 6.5 V
- Rail-to-rail input, rail-to-rail output
- High output current: 380 mA
- Low supply current: 3.9 mA
- Stable with 1 nF loads
- Wide temperature range: -40°C to $+105^{\circ}\text{C}$
- 16-, 20-, and 24-lead, Pb-free, TSSOP packages
- Qualified for automotive applications

APPLICATIONS

- LCD line inversion gamma references
- Car navigation panels
- Personal media player panels
- Automotive infotainment systems

GENERAL DESCRIPTION

The ADD8504, ADD8505, and ADD8506 are 4-, 5-, and 6-channel LCD gamma reference buffers designed to drive column driver gamma inputs in line inversion panels. Each buffer channel has an A/B input to select between two gamma voltage curves. These buffer channels drive the resistor ladders of LCD column drivers for gamma correction. The ADD8504/ADD8505/ADD8506 outputs have high slew rates and output drives that increase the stability of the reference ladder resulting in optimal gray scale and visual performance.

The ADD8504/ADD8505/ADD8506 are specified over the -40°C to $+105^{\circ}\text{C}$ temperature range. They are available, respectively, in 16-, 20-, and 24-lead thin shrink small outline (TSSOP), surface-mount, Pb-free packages. The ADD8506 is also offered in a leaded TSSOP.

The ADD8506WWARUZR7 is the automotive grade version.

PIN CONFIGURATION DIAGRAMS

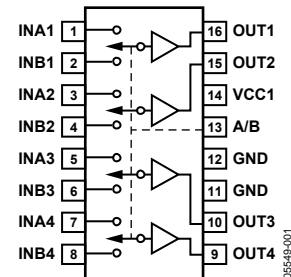


Figure 1. ADD8504, 4-Channel Buffer

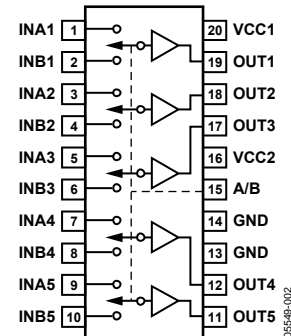


Figure 2. ADD8505, 5-Channel Buffer

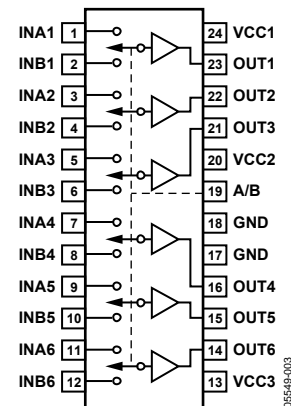


Figure 3. ADD8506, 6-Channel Buffer

Rev. D

Information furnished by Analog Devices is believed to be accurate and reliable. However, no responsibility is assumed by Analog Devices for its use, nor for any infringements of patents or other rights of third parties that may result from its use. Specifications subject to change without notice. No license is granted by implication or otherwise under any patent or patent rights of Analog Devices. Trademarks and registered trademarks are the property of their respective owners.

TABLE OF CONTENTS

| | | | |
|----------------------------------|---|--|---|
| Features | 1 | ESD Performance | 4 |
| Applications..... | 1 | ESD Caution..... | 4 |
| General Description | 1 | Pin Configurations and Function Descriptions | 5 |
| Pin Configuration Diagrams..... | 1 | Typical Performance Characteristics | 6 |
| Revision History | 2 | Applications Information | 7 |
| Specifications..... | 3 | Outline Dimensions | 8 |
| Electrical Characteristics | 3 | Ordering Guide | 9 |
| Absolute Maximum Ratings..... | 4 | Automotive Ordering Guide..... | 9 |
| Thermal Resistance | 4 | Automotive Products..... | 9 |

REVISION HISTORY

6/10—Rev. C to Rev. D

| | |
|---|---|
| Change to Features Section, Applications Section, and General Description Section | 1 |
| Changes to Ordering Guide | 9 |
| Added Automotive Ordering Guide and Automotive Products Section..... | 9 |

9/07—Rev. B to Rev. C

| | |
|-------------------------------------|---|
| Change to General Description | 1 |
| Change to Ordering Guide..... | 9 |

1/06—Rev. A to Rev. B

| | |
|--|---|
| Added Pin Configurations and Function Descriptions Section | 5 |
| Added Table 5..... | 8 |

10/05—Rev. 0 to Rev. A

| | |
|--|-----------|
| Added ADD8504 and ADD8505..... | Universal |
| Changes to Specifications Section..... | 3 |
| Updated Outline Dimensions..... | 7 |
| Changes to Ordering Guide | 7 |

9/05—Revision 0: Initial Version

SPECIFICATIONS

ELECTRICAL CHARACTERISTICS

$V_{CC} = 5\text{ V}$, $T_A = 25^\circ\text{C}$, unless otherwise noted. V_{IN} denotes buffer input voltage; I_{LOAD} denotes load current; R_L denotes load resistance; C_L denotes load capacitance.

Table 1.

| Parameter | Symbol | Conditions | Min | Typ | Max | Unit |
|------------------------------------|-----------|---|-------|------|-----|------------------|
| INPUT CHARACTERISTICS | | | | | | |
| Offset Voltage | V_{OS} | $0\text{ V} \leq V_{IN} \leq 5\text{ V}$ | | | 20 | mV |
| Input Common-Mode Voltage Range | V_{CM} | | 0 | | 5 | V |
| Input Bias Current | I_B | $V_{IN} = 2.5\text{ V}$ | | 2 | 50 | nA |
| Voltage Gain | A_{VO} | | 0.985 | | | V/V |
| OUTPUT CHARACTERISTICS | | | | | | |
| Output Voltage High | V_{OH} | $I_{LOAD} = +20\text{ mA}$ | 4.75 | | | V |
| Output Voltage Low | V_{OL} | $I_{LOAD} = -20\text{ mA}$ | | | 0.2 | V |
| Output Resistance | R_{OUT} | $-20\text{ mA} \leq I_{LOAD} \leq +20\text{ mA}$; $0.5\text{ V} \leq V_{IN} \leq 4.5\text{ V}$ | | 0.20 | | Ω |
| Output Short-Circuit Current | I_{SC} | | 120 | 380 | | mA |
| POWER SUPPLY | | | | | | |
| Supply Current | I_{SY} | $V_{IN} = 2.5\text{ V}$ | | | | |
| ADD8504 | | | | 2.7 | 3.8 | mA |
| ADD8505 | | | | 3.0 | 4.4 | mA |
| ADD8506 | | | | 3.9 | 5.1 | mA |
| Supply Voltage Range | V_{CC} | | 3.3 | | 6.5 | V |
| DYNAMIC PERFORMANCE | | | | | | |
| Slew Rate | SR | $C_L = 15\text{ pF}$ $R_L = 250\ \Omega$ | | 7.0 | | V/ μs |
| Settling Time | t_s | $C_L = 200\text{ pF}$, $R_L = 10\text{ k}\Omega$ | | 6.2 | | V/ μs |
| | | | | 2.5 | 6 | μs |
| LOGIC INPUT CHARACTERISTICS | | | | | | |
| Input Current Low | I_{IL} | $V_{IN} = 0.0\text{ V}$ | | | 100 | nA |
| Input Current High | I_{IH} | $V_{IN} = 5.0\text{ V}$ | | | 100 | nA |
| Input Voltage Low | V_{IL} | $V_{CC} = 5.0\text{ V}$, $-40^\circ\text{C} \leq T_A \leq 105^\circ\text{C}$ | | | 0.8 | V |
| | | $V_{CC} = 3.3\text{ V}$, $-40^\circ\text{C} \leq T_A \leq 105^\circ\text{C}$ | | | 0.7 | V |
| Input Voltage High | V_{IH} | $V_{CC} = 5.0\text{ V}$, $-40^\circ\text{C} \leq T_A \leq 105^\circ\text{C}$ | 1.7 | | | V |
| | | $V_{CC} = 3.3\text{ V}$, $-40^\circ\text{C} \leq T_A \leq 105^\circ\text{C}$ | 1.4 | | | V |

ABSOLUTE MAXIMUM RATINGS

Table 2.

| Parameter | Rating |
|--------------------------------------|------------------------|
| Supply Voltage | 7 V |
| Input Voltage | GND to V _{CC} |
| Storage Temperature Range | -65°C to +150°C |
| Junction Temperature Range | -65°C to +150°C |
| Lead Temperature (Soldering, 60 sec) | 300°C |

Stresses above those listed under Absolute Maximum Ratings may cause permanent damage to the device. This is a stress rating only; functional operation of the device at these or any other conditions above those indicated in the operational section of this specification is not implied. Exposure to absolute maximum rating conditions for extended periods may affect device reliability.

THERMAL RESISTANCE

Table 3. Thermal Package Characteristics

| Model | Package Type | θ_{JA}^1 | θ_{JC}^2 | Unit |
|-------------|-----------------------|-----------------|-----------------|------|
| ADD8504WRUZ | 16-Lead Pb-Free TSSOP | 150 | 28 | °C/W |
| ADD8505WRUZ | 20-Lead Pb-Free TSSOP | 143 | 45 | °C/W |
| ADD8506WRUZ | 24-Lead Pb-Free TSSOP | 128 | 45 | °C/W |

¹ θ_{JA} is specified for natural convection on a two-layer board.

² θ_{JC} is specified for natural convection on a two-layer board.

ESD PERFORMANCE

Table 4.

| Model | HBM ¹ | MM ² | FICDM ³ |
|-------------|------------------|-----------------|--------------------|
| ADD8504WRUZ | 4.0 kV | 400 V | 1.0 kV |
| ADD8505WRUZ | 3.5 kV | 200 V | 1.0 kV |
| ADD8506WRUZ | 3.5 kV | 200 V | 1.0 kV |

¹ Human body model.

² Machine model.

³ Field induced charge device model.

ESD CAUTION



ESD (electrostatic discharge) sensitive device.

Charged devices and circuit boards can discharge without detection. Although this product features patented or proprietary protection circuitry, damage may occur on devices subjected to high energy ESD. Therefore, proper ESD precautions should be taken to avoid performance degradation or loss of functionality.

PIN CONFIGURATIONS AND FUNCTION DESCRIPTIONS

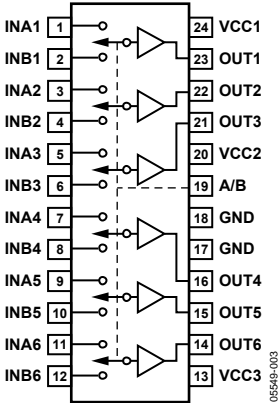


Figure 4. Pin Configuration, ADD8506, 6-Channel Buffer

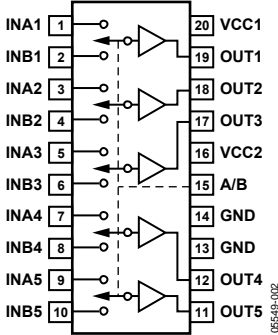


Figure 5. Pin Configuration, ADD8505, 5-Channel Buffer

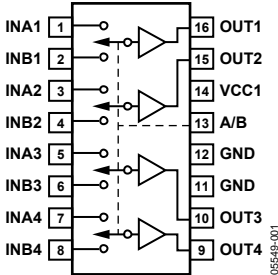


Figure 6. Pin Configuration, ADD8504, 4-Channel Buffer

Table 5. Pin Function Descriptions

| ADD8506 Pin No. | ADD8505 Pin No. | ADD8504 Pin No. | Mnemonic | Function | Description |
|-----------------|-----------------|-----------------|----------|----------|---|
| 1 | 1 | 1 | INA1 | Input | Channel 1 Buffer Input A. |
| 2 | 2 | 2 | INB1 | Input | Channel 1 Buffer Input B. |
| 3 | 3 | 3 | INA2 | Input | Channel 2 Buffer Input A. |
| 4 | 4 | 4 | INB2 | Input | Channel 2 Buffer Input B. |
| 5 | 5 | 5 | INA3 | Input | Channel 3 Buffer Input A. |
| 6 | 6 | 6 | INB3 | Input | Channel 3 Buffer Input B. |
| 7 | 7 | 7 | INA4 | Input | Channel 4 Buffer Input A. |
| 8 | 8 | 8 | INB4 | Input | Channel 4 Buffer Input B. |
| 9 | 9 | N/A | INA5 | Input | Channel 5 Buffer Input A. |
| 10 | 10 | N/A | INB5 | Input | Channel 5 Buffer Input B. |
| 11 | N/A | N/A | INA6 | Input | Channel 6 Buffer Input A. |
| 12 | N/A | N/A | INB6 | Input | Channel 6 Buffer Input B. |
| 13 | N/A | N/A | VCC3 | Power In | Power Supply Input. Short to VCC1 and VCC2. Typically connected to 5 V. |
| 14 | N/A | N/A | OUT6 | Output | Channel 6 Buffer Output. |
| 15 | 11 | N/A | OUT5 | Output | Channel 5 Buffer Output. |
| 16 | 12 | 9 | OUT4 | Output | Channel 4 Buffer Output. |
| 17, 18 | 13, 14 | 11, 12 | GND | Ground | Ground. |
| 19 | 15 | 13 | A/B | Input | Switch Control. Logic High selects Input A; Logic Low selects Input B. |
| 20 | 16 | N/A | VCC2 | Power In | Power Supply Input. Short to VCC1 and VCC3. Typically connected to 5 V. |
| 21 | 17 | 10 | OUT3 | Output | Channel 3 Buffer Output. |
| 22 | 18 | 15 | OUT2 | Output | Channel 2 Buffer Output. |
| 23 | 19 | 16 | OUT1 | Output | Channel 1 Buffer Output. |
| 24 | 20 | 14 | VCC1 | Power In | Power Supply Input. Short to VCC2 and VCC3. Typically connected to 5 V. |

TYPICAL PERFORMANCE CHARACTERISTICS

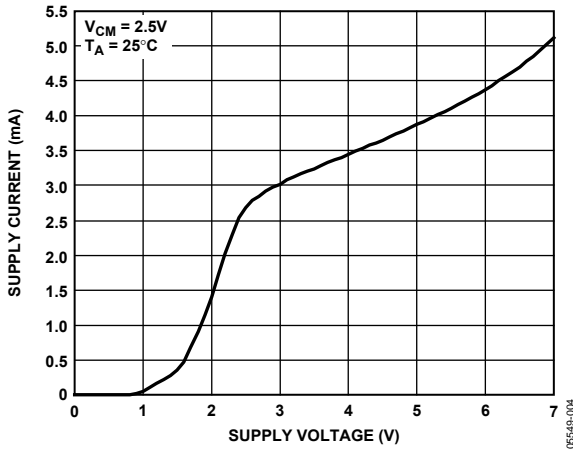


Figure 7. Supply Current vs. Supply Voltage

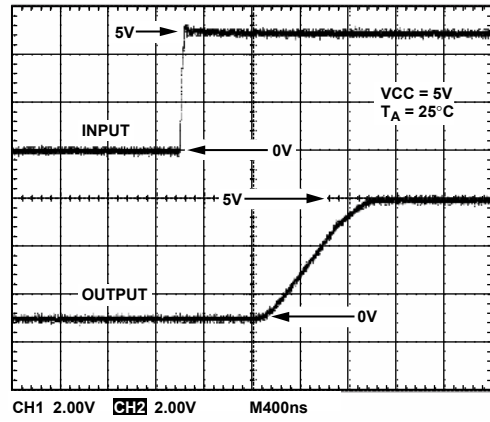


Figure 10. Transient Response—Rising

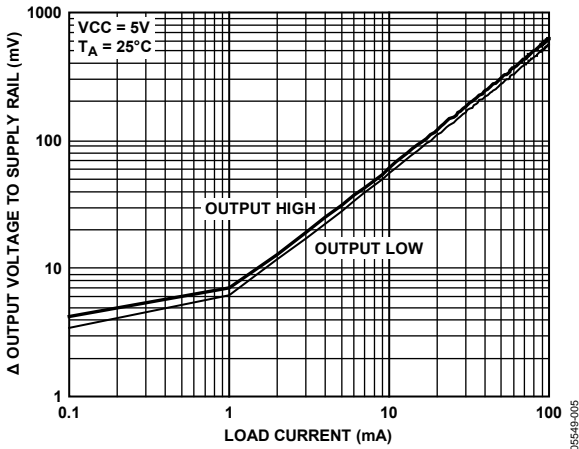


Figure 8. Δ Output Voltage to Supply Rail vs. Load Current

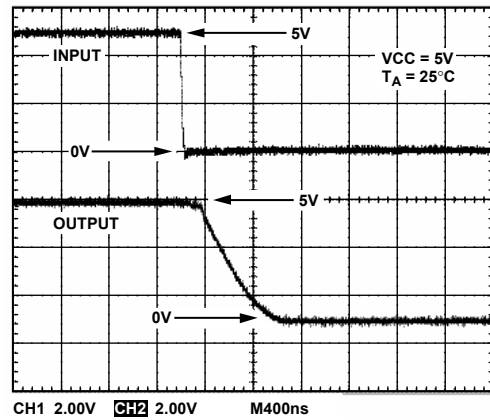


Figure 11. Transient Response—Falling

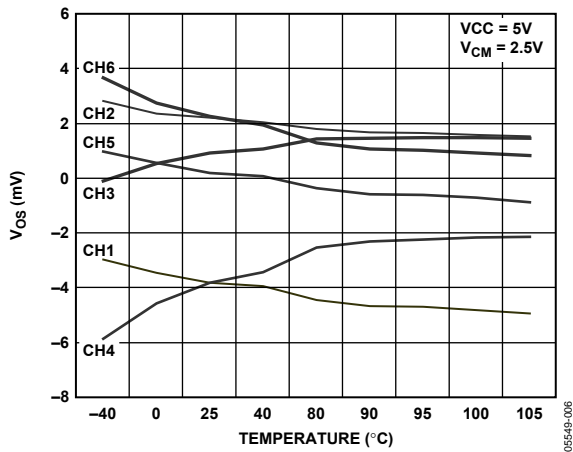


Figure 9. Offset Voltage vs. Temperature

APPLICATIONS INFORMATION

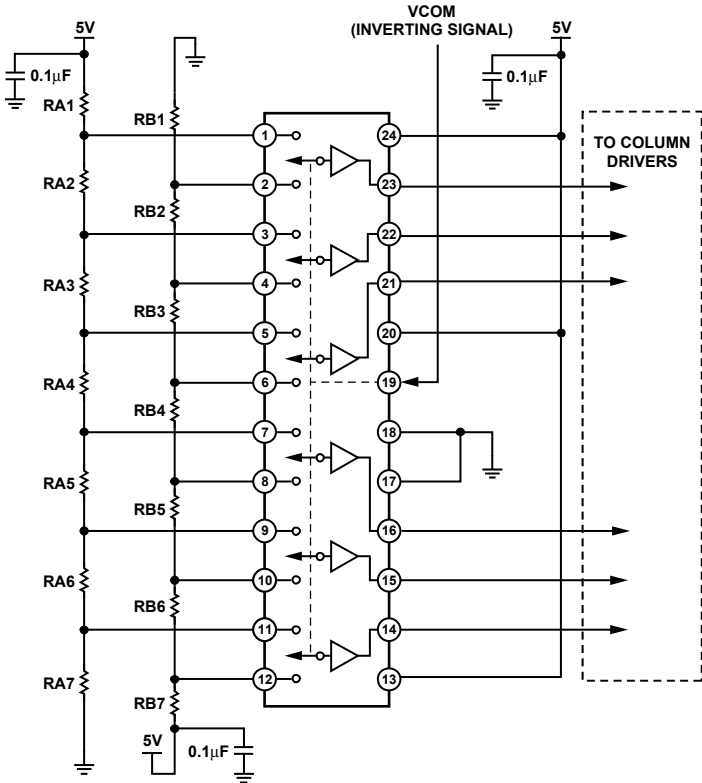
The ADD8504/ADD8505/ADD8506 have CMOS buffers with A/B inputs to select between two different reference voltages set up by an external resistor ladder. Input bias currents are orders of magnitude less than competitive parts. This allows the use of a very large resistor ladder to save supply current.

The buffer outputs are designed to drive resistive or capacitive loads. Therefore, to attain the best display performance, do not use resistors in series with these outputs. Outputs have high slew rates and 6 μs settling times. Each output delivers a minimum of 120 mA, ensuring a fast response to varying loads.

Power supply pins on the ADD8505 and ADD8506 have multiple ground (GND) and supply (VCC) connections. Because of the high peak currents that these buffers deliver, it is recommended that all GND and VCC pins be connected and suitably bypassed.

Table 6. Mux Function

| A/B Select | Input |
|------------|-------|
| Logic High | INAx |
| Logic Low | INBx |

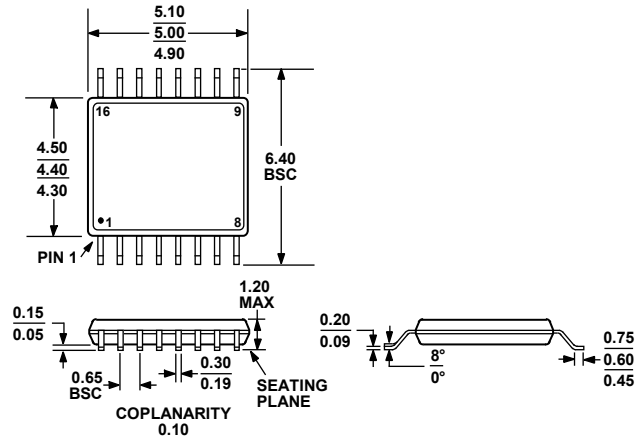


- NOTES
 1. RAx RESISTORS ARE USED TO SET POSITIVE INVERSION GAMMA VOLTAGES.
 2. RBx RESISTORS ARE USED TO SET NEGATIVE INVERSION GAMMA VOLTAGES.

05548-009

Figure 12. ADD8506 Typical Application

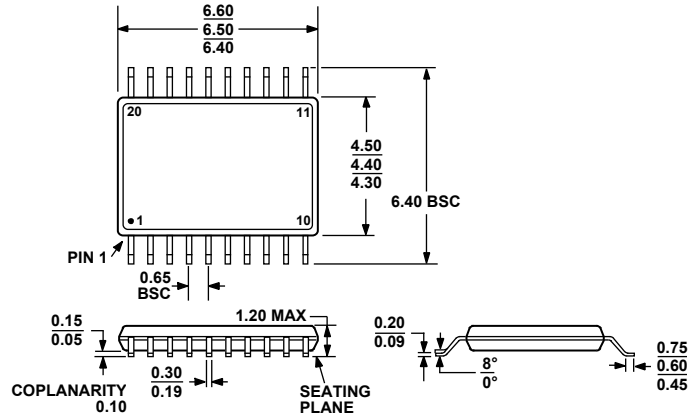
OUTLINE DIMENSIONS



COMPLIANT TO JEDEC STANDARDS MO-153-AB

Figure 13. 16-Lead Thin Shrink Small Outline Package [TSSOP] (RU-16)

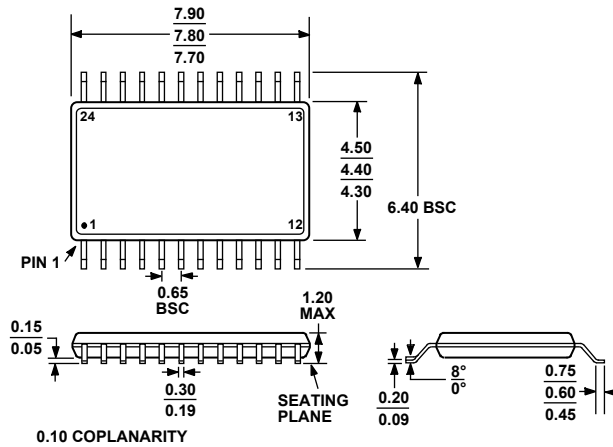
Dimensions shown in millimeters



COMPLIANT TO JEDEC STANDARDS MO-153-AC

Figure 14. 20-Lead Thin Shrink Small Outline Package [TSSOP] (RU-20)

Dimensions shown in millimeters



COMPLIANT TO JEDEC STANDARDS MO-153-AD

Figure 15. 24-Lead Thin Shrink Small Outline Package [TSSOP] (RU-24)

Dimensions shown in millimeters

ORDERING GUIDE

| Model¹ | Temperature Range | Package Description | Package Option | Ordering Quantity |
|--------------------------|--------------------------|--|-----------------------|--------------------------|
| ADD8504WRUZ | -40°C to +105°C | 16-Lead Thin Shrink Small Outline Package [TSSOP], Tube | RU-16 | 96 |
| ADD8504WRUZ-REEL7 | -40°C to +105°C | 16-Lead Thin Shrink Small Outline Package [TSSOP], 7" Tape and Reel | RU-16 | 1,000 |
| ADD8504WRUZ-REEL | -40°C to +105°C | 16-Lead Thin Shrink Small Outline Package [TSSOP], 13" Tape and Reel | RU-16 | 2,500 |
| ADD8505WRUZ | -40°C to +105°C | 20-Lead Thin Shrink Small Outline Package [TSSOP], Tube | RU-20 | 75 |
| ADD8505WRUZ-REEL7 | -40°C to +105°C | 20-Lead Thin Shrink Small Outline Package [TSSOP], 7" Tape and Reel | RU-20 | 1,000 |
| ADD8505WRUZ-REEL | -40°C to +105°C | 20-Lead Thin Shrink Small Outline Package [TSSOP], 13" Tape and Reel | RU-20 | 2,500 |
| ADD8506WRU-REEL7 | -40°C to +105°C | 24-Lead Thin Shrink Small Outline Package [TSSOP], 7" Tape and Reel | RU-24 | 1,000 |
| ADD8506WRUZ | -40°C to +105°C | 24-Lead Thin Shrink Small Outline Package [TSSOP], Tube | RU-24 | 62 |
| ADD8506WRUZ-REEL7 | -40°C to +105°C | 24-Lead Thin Shrink Small Outline Package [TSSOP], 7" Tape and Reel | RU-24 | 1,000 |
| ADD8506WRUZ-REEL | -40°C to +105°C | 24-Lead Thin Shrink Small Outline Package [TSSOP], 13" Tape and Reel | RU-24 | 2,500 |
| ADD8504-EVAL | | Evaluation Board | | |
| ADD8505-EVAL | | Evaluation Board | | |
| ADD8506-EVAL | | Evaluation Board | | |

¹ Z = RoHS Compliant Part.

AUTOMOTIVE ORDERING GUIDE

| Automotive Model¹ | Temperature Range | Package Description | Package Option | Ordering Quantity |
|-------------------------------------|--------------------------|---|-----------------------|--------------------------|
| ADD8506WWARUZR7 | -40°C to +105°C | 24-Lead Thin Shrink Small Outline Package [TSSOP], 7" Tape and Reel | RU-24 | 1,000 |

¹ Qualified for automotive applications.

AUTOMOTIVE PRODUCTS

The ADD8506WWARUZR7 model is available with controlled manufacturing to support the quality and reliability requirements of automotive applications. Note that the automotive model may have specifications that differ from the commercial models; therefore, designers should review the Specifications section of this data sheet carefully. Only the automotive grade product shown is available for use in automotive applications. Contact your local Analog Devices account representative for specific product ordering information and to obtain the specific Automotive Reliability reports for this model.

ADD8504/ADD8505/ADD8506

NOTES

NOTES

ADD8504/ADD8505/ADD8506

NOTES

Looking for pricing, stock, or lifecycle information?

Click below to explore more details on WIN SOURCE:

 [View ADD8505WRUZ on WIN SOURCE](#)

 [Analog Devices Inc. Information](#)

Optimize Your Supply Chain with WIN SOURCE Solutions

-  Global Sourcing Solution
-  Obsolete Management
-  Cost Control Management
-  Shortage Management
-  Alternative Solution
-  Excess Inventory Management