



**THE DATASHEET OF
STK984-190-E**



ON Semiconductor

Is Now

onsemi™

To learn more about onsemi™, please visit our website at
www.onsemi.com

onsemi and **onsemi** and other names, marks, and brands are registered and/or common law trademarks of Semiconductor Components Industries, LLC dba "**onsemi**" or its affiliates and/or subsidiaries in the United States and/or other countries. **onsemi** owns the rights to a number of patents, trademarks, copyrights, trade secrets, and other intellectual property. A listing of **onsemi** product/patent coverage may be accessed at www.onsemi.com/site/pdf/Patent-Marking.pdf. **onsemi** reserves the right to make changes at any time to any products or information herein, without notice. The information herein is provided "as-is" and **onsemi** makes no warranty, representation or guarantee regarding the accuracy of the information, product features, availability, functionality, or suitability of its products for any particular purpose, nor does **onsemi** assume any liability arising out of the application or use of any product or circuit, and specifically disclaims any and all liability, including without limitation special, consequential or incidental damages. Buyer is responsible for its products and applications using **onsemi** products, including compliance with all laws, regulations and safety requirements or standards, regardless of any support or applications information provided by **onsemi**. "Typical" parameters which may be provided in **onsemi** data sheets and/or specifications can and do vary in different applications and actual performance may vary over time. All operating parameters, including "Typicals" must be validated for each customer application by customer's technical experts. **onsemi** does not convey any license under any of its intellectual property rights nor the rights of others. **onsemi** products are not designed, intended, or authorized for use as a critical component in life support systems or any FDA Class 3 medical devices or medical devices with a same or similar classification in a foreign jurisdiction or any devices intended for implantation in the human body. Should Buyer purchase or use **onsemi** products for any such unintended or unauthorized application, Buyer shall indemnify and hold **onsemi** and its officers, employees, subsidiaries, affiliates, and distributors harmless against all claims, costs, damages, and expenses, and reasonable attorney fees arising out of, directly or indirectly, any claim of personal injury or death associated with such unintended or unauthorized use, even if such claim alleges that **onsemi** was negligent regarding the design or manufacture of the part. **onsemi** is an Equal Opportunity/Affirmative Action Employer. This literature is subject to all applicable copyright laws and is not for resale in any manner. Other names and brands may be claimed as the property of others.

STK984-190-E

MOSFET Power Module 40 V, 30 A, Compact DIP

The STK984-190-E is a MOSFET power module containing 6 MOSFETs in a three-phase bridge (B6) configuration and a seventh MOSFET used as a reverse battery protection switch. The compact module is 29.6 mm × 18.2 mm and is 4.3 mm high (see package drawing for specification details). The MOSFET module uses a DBC substrate for excellent thermal performance. The module is suitable for 12 V automotive and industrial applications with motors rated up to 300 W.

Features

- Three-phase MOSFET bridge with reverse battery protection switch
- Device is PPAP capable.
- Compact 29.6 mm × 18.2 mm dual in-line package
- Motor power up to 300 W for 12 V systems
- 40 V MOSFETs with 30 A continuous and 85 A pulse current ratings
 - $R_{DS(ON)} = 9.5 \text{ m}\Omega \text{ max}$
 - $Q_{GD} = 9.8 \text{ nC typical}$

Typical Applications

- Automotive Pumps
- Automotive Fans
- 12 V Industrial Motors

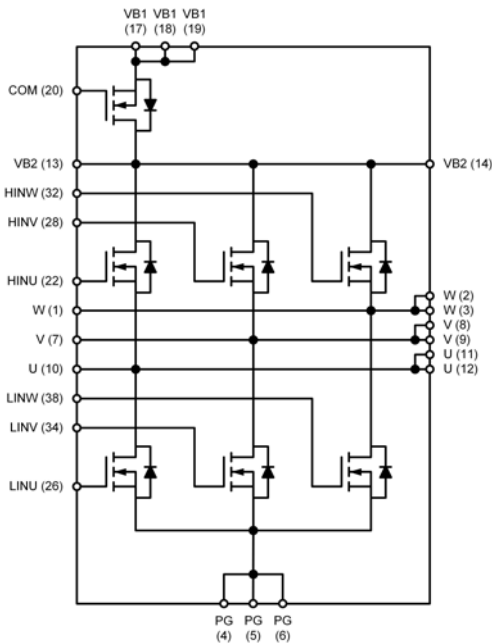


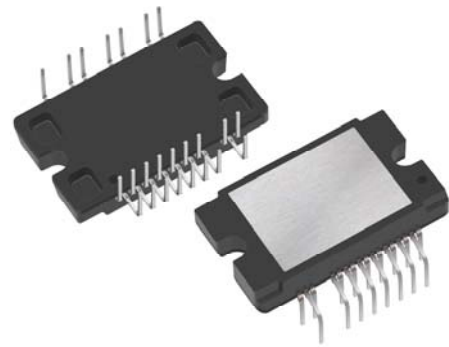
Figure 1: Functional Diagram



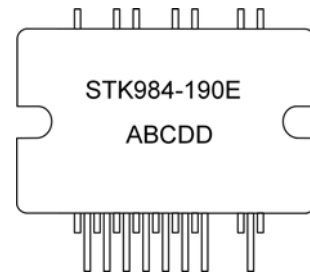
ON Semiconductor®

www.onsemi.com

PACKAGE PICTURE



MARKING DIAGRAM



STK984-190-E = Specific Device Code
 A = Year
 B = Month
 C = Production Site
 DD = Factory Lot Code
 Device marking is on package underside

ORDERING INFORMATION

Device	Package	Shipping (Qty / Packing)
STK984-190-E	MODULE SPCM24 29.6x18.2 DIP S3 (Pb-Free)	16 / Tube

STK984-190-E

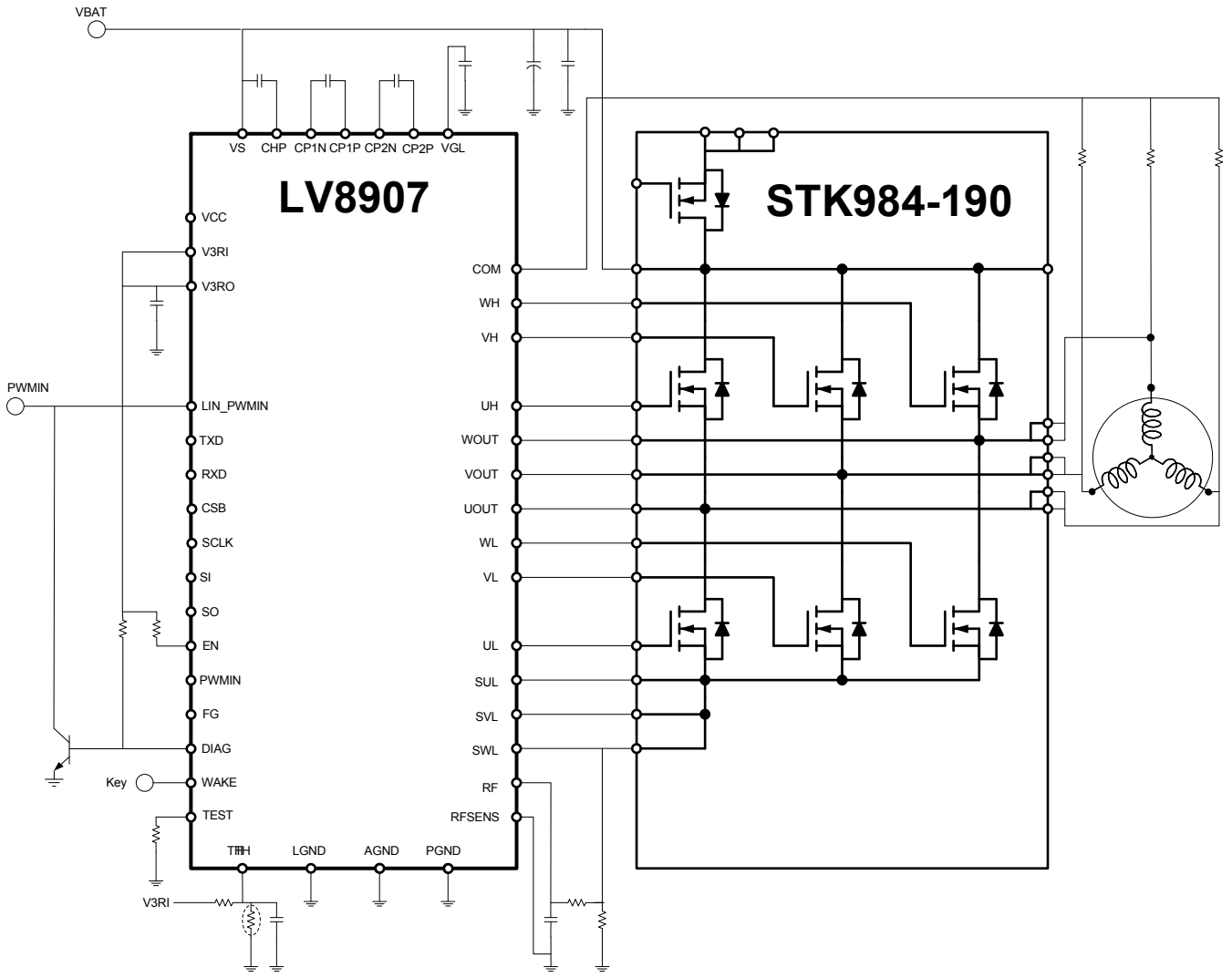


Figure 2: Application Schematic Example

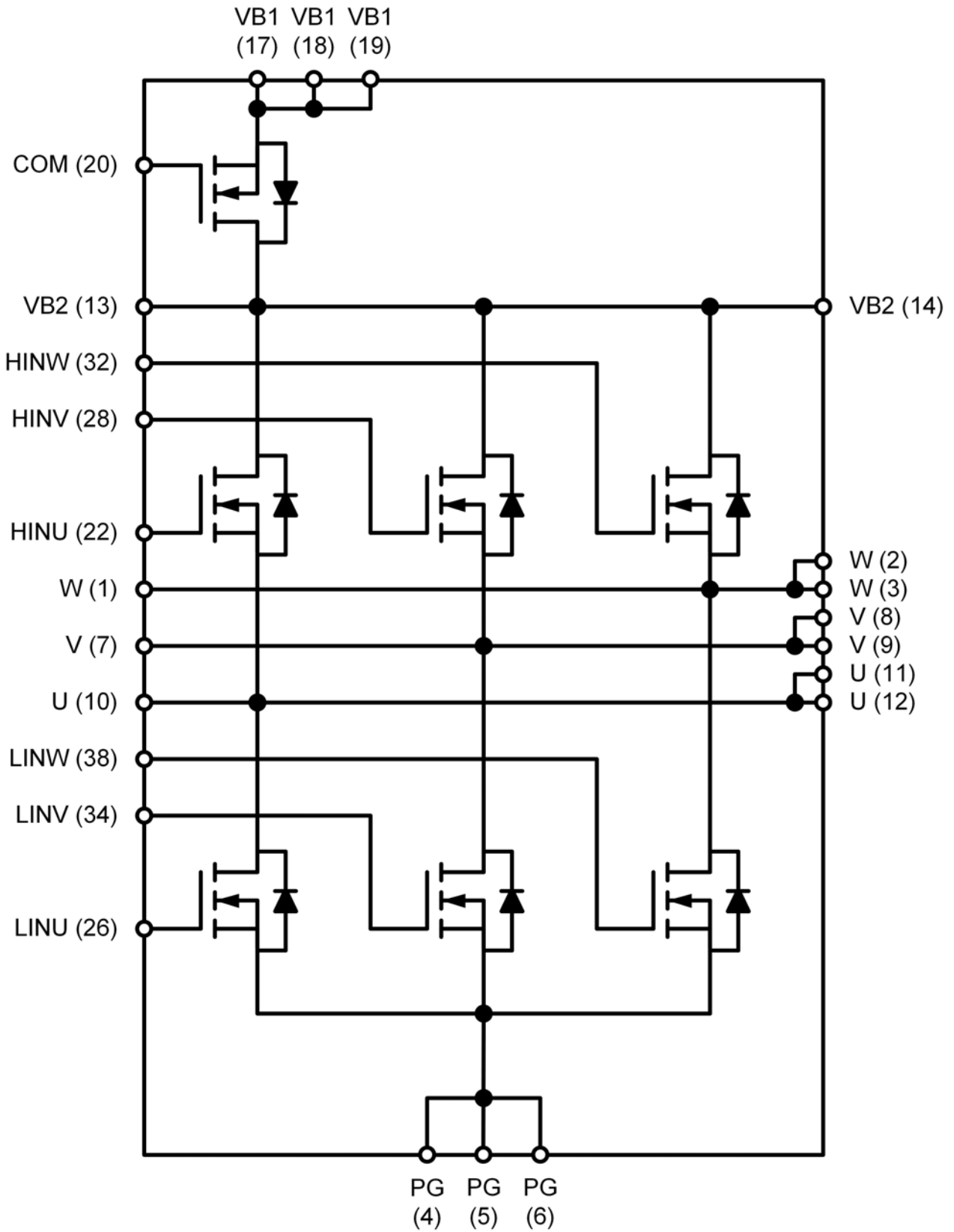


Figure 3: Block Diagram

STK984-190-E

PIN FUNCTION DESCRIPTION

Pin	Name	Description
1	W	W Phase Output
2	W	W Phase Output
3	W	W Phase Output
4	PG	Power Ground
5	PG	Power Ground
6	PG	Power Ground
7	V	V Phase Output
8	V	V Phase Output
9	V	V Phase Output
10	U	U Phase Output
11	U	U Phase Output
12	U	U Phase Output
13	VB2	Positive Supply for 3-phase bridge
14	VB2	Positive Supply for 3-phase bridge
17	VB1	Positive Supply to reverse battery protect switch
18	VB1	Positive Supply to reverse battery protect switch
19	VB1	Positive Supply to reverse battery protect switch
20	COM	Gate of reverse battery protect switch
22	HINU	High side gate phase U
26	LINU	Low side gate phase U
28	HINV	High side gate phase V
32	HINW	High side gate phase W
34	LINV	Low side gate phase V
38	LINW	Low side gate phase W

Note: Pins 15, 16, 21, 23, 24, 25, 27, 29, 30, 31, 33, 35, 36, 37 are not present

Table 1: Pin Function Description

STK984-190-E

ABSOLUTE MAXIMUM RATINGS (Notes 1,2)

Rating	Symbol	Conditions	Value	Unit
Drain-to-Source Voltage	VDSS		40	V
Control Input Voltage	V _{in} max	COM to VB1; HINx to x; LINx to PG (x = U,V,W)	+/-20	V
Continuous Drain Current	ID max	DC	30	A
Pulsed Drain Current	ID pulse	Pulse (t _p = 10 μs)	85	A
Power Dissipation	Pd max	Each channel T _c = 25°C	36	W
Junction Temperature	T _j max		175	°C
Operating Temperature	T _c		-40 to 150	°C
ESD Capability, Human Body Model	ESD _{HBM}		1000	V
ESD Capability, Machine Model	ESD _{MM}		200	V
Storage Temperature	T _{stg}		-40 to 150	°C
Package mounting torque		Case mounting screw. Thermal Grease	0.6	Nm

1. Stresses exceeding those listed in the Maximum Ratings table may damage the device. If any of these limits are exceeded, device functionality should not be assumed, damage may occur and reliability may be affected.
2. Refer to ELECTRICAL CHARACTERISTICS, RECOMMENDED OPERATING RANGES and/or APPLICATION INFORMATION for Safe Operating parameters.

RECOMMENDED OPERATING RANGES (Note 3)

Rating	Symbol	Test Conditions	Min	Typ	Max	Unit
Supply Voltage	VBmax	VB1 to PG; VB2 to PG	8	13.5	18	V
Control Input Voltage	V _{in}	COM to VB1; HINx to x; LINx to PG (x = U,V,W)	-	10	18	V
Drain Current	ID	T _c = 125°C , V _{GS} = 10 V	-	-	27	A
Operating Substrate Temperature	T _c	Module Substrate Temperature	-40	-	125	°C
Package mounting torque		'M3' type screw. Thermal Grease.	0.4	-	0.6	Nm

3. Functional operation above the stresses listed in the Recommended Operating Ranges is not implied. Extended exposure to stresses beyond the Recommended Operating Ranges limits may affect device reliability.

STK984-190-E

ELECTRICAL CHARACTERISTICS (Note 4)

at T_C=25°C

Parameter	Symbol	Test Conditions	Min	Typ	Max	Unit
Chip-Case Resistance	Θ _{J-c}	Each MOSFET die to outside of case	-	-	4.1	°C/W
Drain-to-Source Breakdown Voltage	V _{BR(DSS)}	V _{GS} = 0 V, I _D = 250 μA	40	-	-	V
Drain-to-Source Breakdown Voltage Temperature Coefficient	V _{BR(DSS)} /T _J	Note 5	-	40.8	-	mV/°C
Zero Gate Voltage Drain Current	I _{DSS}	V _{GS} = 0 V, V _{DS} = 40 V	-	-	1.0	μA
Gate-to-Source Leakage Current	I _{GSS}	V _{GS} = 0 V, V _{GS} = ±20 V	-	-	±100	nA
Gate Threshold Voltage	V _{GS(TH)}		1.5	-	3.5	V
Negative Gate Threshold Voltage Temperature Coefficient	V _{GS(TH)/T_J}	Note 5	-	7	-	mV/°C
Drain-to-source ON resistance	R _{DS(ON)}	V _{GS} = 10 V, I _D = 15 A, Note 5	-	7.6	-	mΩ
		V _{GS} = 5V, I _D = 10 A, Note 5	-	10.9	-	mΩ
Output Saturation Voltage / Each FET (includes the wiring resistance)	V _{DS(sat)}	V _{GS} = 10 V, I _D = 30 A VB2 to VB1, VB2 to U/V/W; U/V/W to PG	-	0.285	0.38	V
Forward Transconductance	g _{FS}	Note 5	-	8.54	-	S
Input Capacitance	C _{iss}	V _{GS} = 0 V, V _{DS} = 25 V, 10 MHz, Note 5	-	1725	-	pF
Output Capacitance	C _{oss}		-	220	-	pF
Reverse transfer capacitance	C _{rss}		-	160	-	pF
Total Gate Charge	Q _{G(TOT)}	V _{GS} = 10 V, V _{DS} = 32 V, I _D = 30 A, Note 5	-	33	-	nC
Threshold Gate Charge	Q _{G(TH)}		-	2.0	-	nC
Gate-to-Source Charge	Q _{GS}		-	7.2	-	nC
Gate-to-Drain Charge	Q _{GD}		-	9.8	-	nC
Turn-on delay time	t _{d(on)}	V _{GS} = 10 V, V _{DS} = 32 V, I _D = 30 A, R _G = 2.5 Ω, Note 5	-	10.2	-	ns
Rise time	t _r		-	17.9	-	ns
Turn-off delay time	t _{d(off)}		-	22.9	-	ns
Fall time	t _f		-	4.5	-	ns
Forward Diode Voltage	V _{SD}	V _{GS} = 10 V, I _{SD} = 10 A, Note 5	-	0.83	-	V
Reverse Recovery Time	t _{RR}	V _{GS} = 0 V, I _{SD} = 30 A, dI _{SD} /dt = 100 A/μs, Note 5	-	24.8	-	ns
Charge Time	t _A		-	14.6	-	ns
Discharge Time	t _B		-	10.2	-	ns
Reverse Recovery Charge	Q _{RR}		-	15.5	-	nC

4. Product parametric performance is indicated in the Electrical Characteristics for the listed test conditions, unless otherwise noted. Product performance may not be indicated by the Electrical Characteristics if operated under different conditions.
5. Typical data taken from packaged discrete device characteristics

TYPICAL CHARACTERISTICS

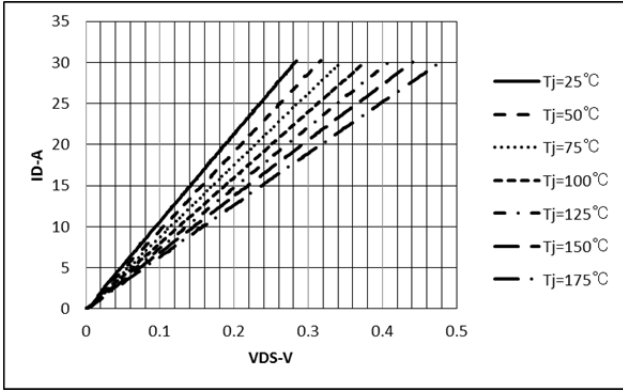


Figure 5 ID versus VDS for different temperatures (VGS = 10 V)

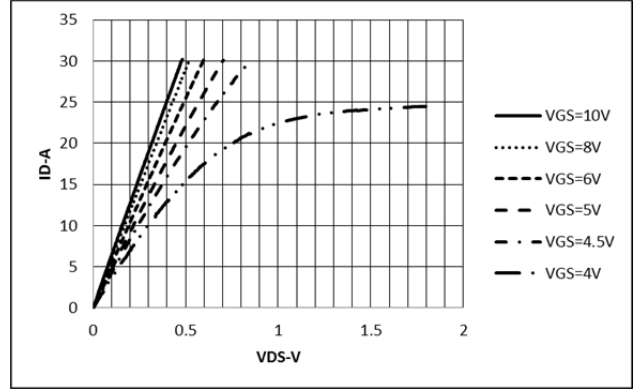


Figure 4 ID versus VDS for different VGS values (Tj = 175°C)

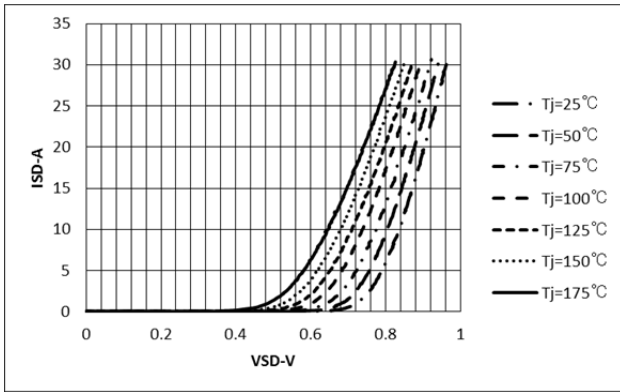


Figure 9 ISD versus VSD for different temperatures

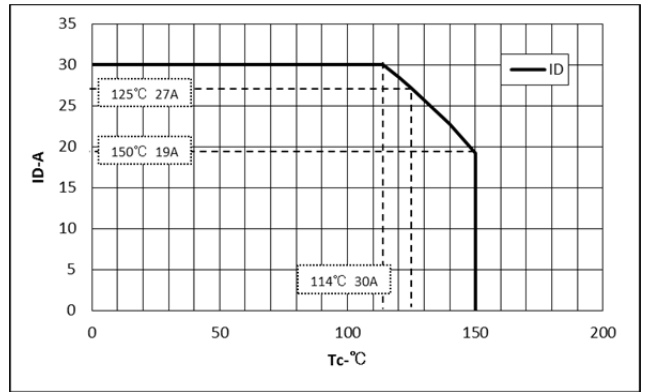


Figure 8 Current Rating

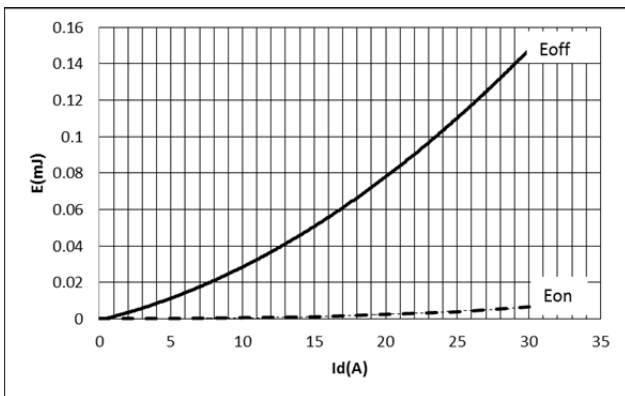


Figure 7 Switching losses versus drain current
Tj = 175°C, Id = 30 A, Rg = 51 Ω, L = 40 μH

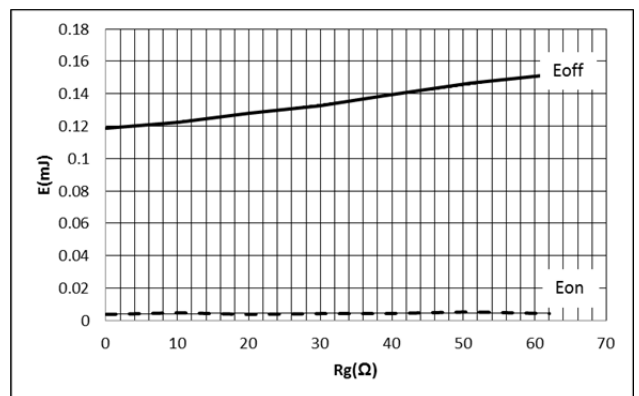


Figure 6 Switching losses versus gate resistance
Tj = 175°C, Id = 30 A, L = 40 μH

STK984-190-E

TYPICAL CHARACTERISTICS

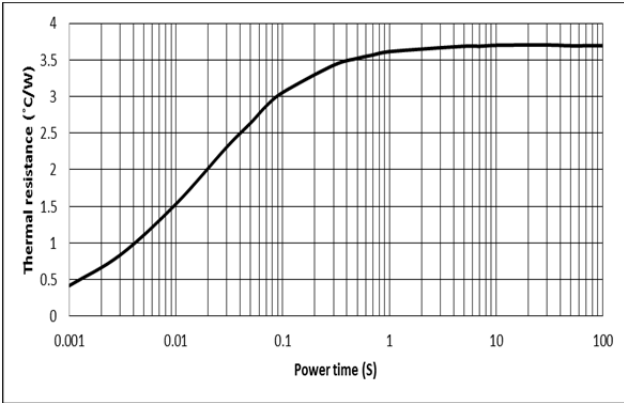


Figure 13 Thermal Impedance

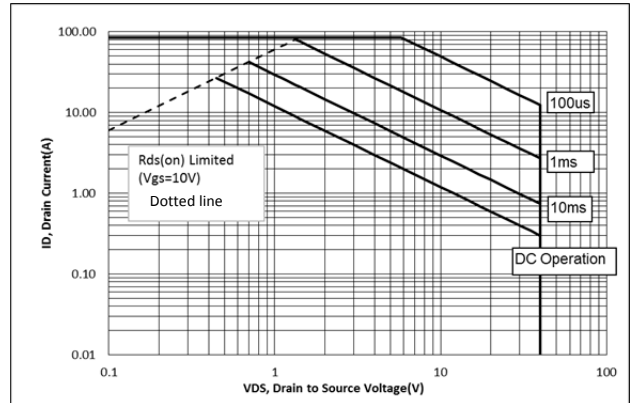


Figure 12 Safe Operating Area

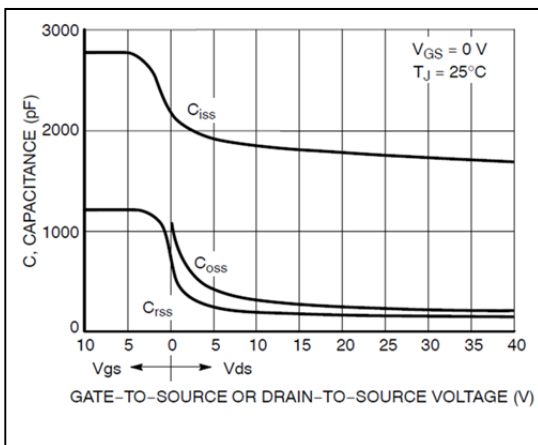


Figure 11 Capacitance Characteristics

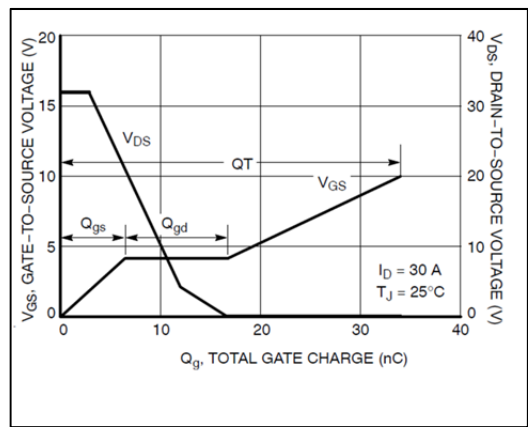


Figure 10 Gate Charge Characteristics

STK984-190-E

Mounting Instructions

Item	Recommended Condition
Pitch	26.0±0.1 mm (Please refer to Package Outline Diagram)
Screw	Diameter : M3 Screw head types: pan head, truss head, binding head
Washer	Plane washer dimensions (Figure 14) D = 7 mm, d = 3.2 mm and t = 0.5 mm JIS B 1256
Heat sink	Material: Aluminum or Copper Warpage (the surface that contacts IPM) : -50 to 50 μm Screw holes must be countersunk. No contamination on the heat sink surface that contacts IPM.
Torque	Temporary tightening : 50 to 60 % of final tightening on first screw Temporary tightening : 50 to 60 % of final tightening on second screw Final tightening : 0.4 to 0.6Nm on first screw Final tightening : 0.4 to 0.6Nm on second screw
Grease	Silicone grease. Thickness : 50 to 100 μm Uniformly apply silicon grease to whole back. Thermal foils are only recommended after careful evaluation. Thickness, stiffness and compressibility parameters have a strong influence on performance.

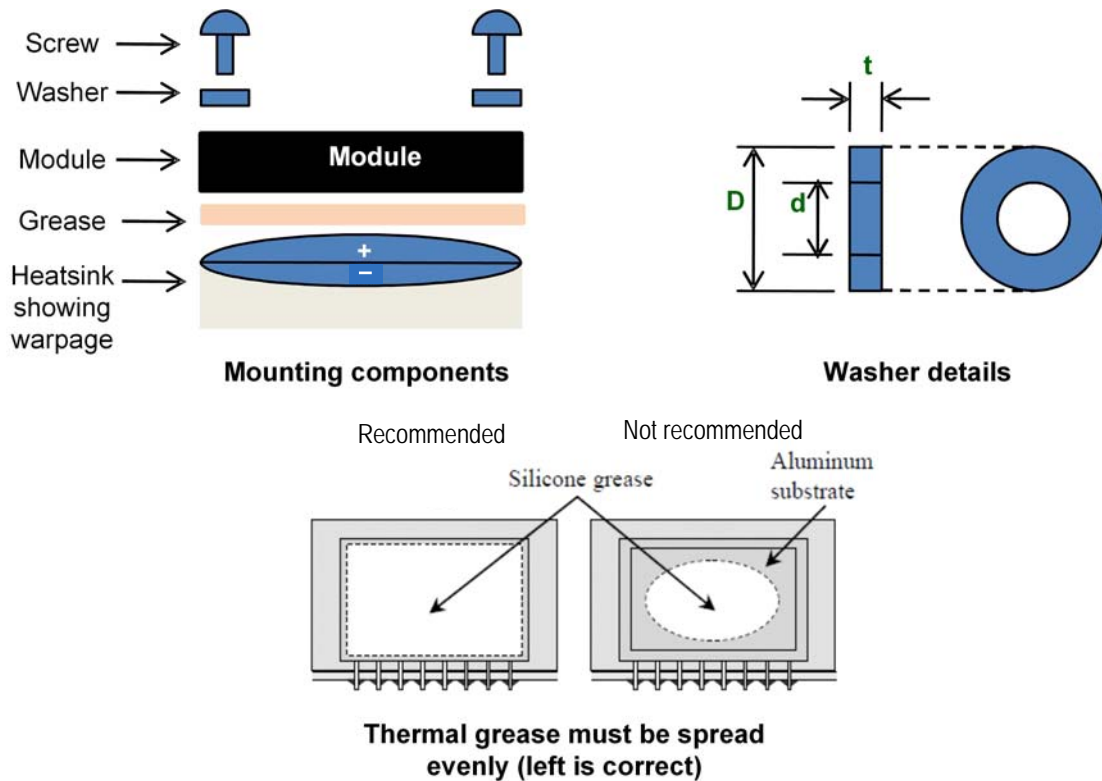


Figure 14: Module Mounting details: components; washer drawing; need for even spreading of thermal grease

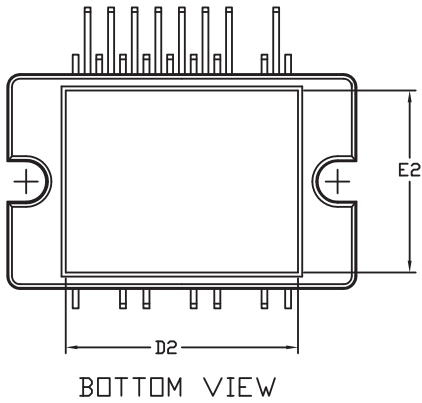
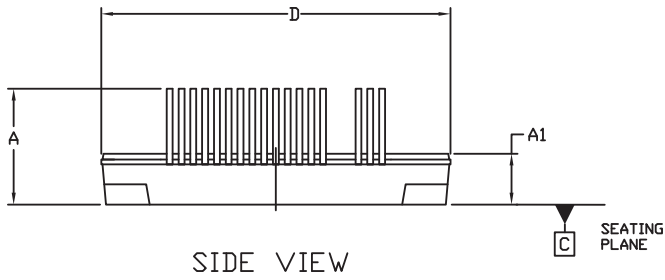
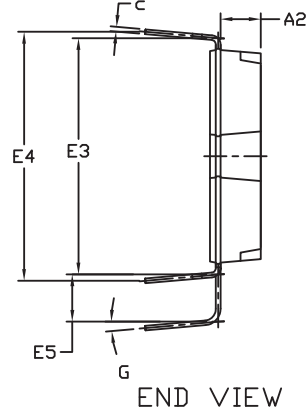
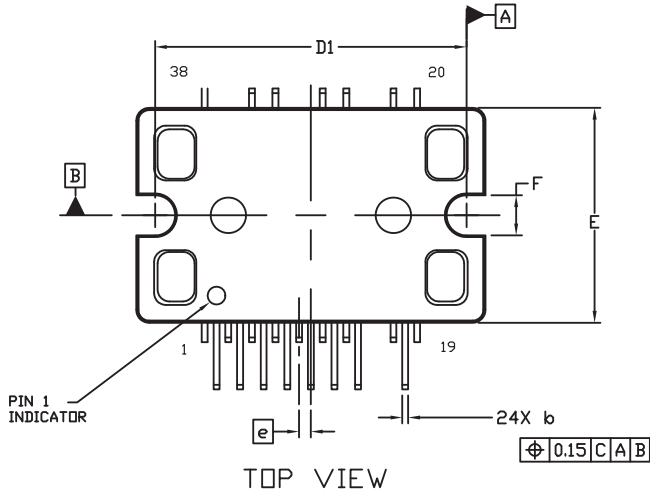
STK984-190-E

PACKAGE DIMENSIONS

unit : mm

MODULE SPCM24 29.6x18.2 DIP S3

CASE MODBL
ISSUE A



NOTES:

1. DIMENSIONING AND TOLERANCING PER ASME Y14.5M, 2009.
2. CONTROLLING DIMENSION: MILLIMETERS
3. DIMENSION *b* APPLIES TO THE PLATED LEAD AND IS MEASURED BETWEEN 0.10 AND 0.25 FROM THE LEAD TIP.
4. PACKAGE IS MISSING PINS: 15, 16, 21, 23, 24, 25, 27, 29, 30, 31, 33, 35, 36, AND 37.

DIM	MILLIMETERS	
	MIN.	MAX.
A	9.30	10.30
A1	3.80	4.80
A2	2.90	3.90
<i>b</i>	0.45	0.70
<i>c</i>	0.35	0.60
D	29.10	30.10
D1	26.30	26.50
D2	19.20	20.20
E	17.70	18.70
E2	14.90	15.90
E3	19.50	20.50
E4	21.10	REF
E5	3.50	4.50
<i>e</i>	1.00	BSC
F	2.90	3.90
G	4°	6°

ON Semiconductor and the ON Semiconductor logo are trademarks of Semiconductor Components Industries, LLC dba ON Semiconductor or its subsidiaries in the United States and/or other countries. ON Semiconductor owns the rights to a number of patents, trademarks, copyrights, trade secrets, and other intellectual property. A listing of ON Semiconductor's product/patent coverage may be accessed at www.onsemi.com/site/pdf/Patent-Marking.pdf. ON Semiconductor reserves the right to make changes without further notice to any products herein. ON Semiconductor makes no warranty, representation or guarantee regarding the suitability of its products for any particular purpose, nor does ON Semiconductor assume any liability arising out of the application or use of any product or circuit, and specifically disclaims any and all liability, including without limitation special, consequential or incidental damages. Buyer is responsible for its products and applications using ON Semiconductor products, including compliance with all laws, regulations and safety requirements or standards, regardless of any support or applications information provided by ON Semiconductor. "Typical" parameters which may be provided in ON Semiconductor data sheets and/or specifications can and do vary in different applications and actual performance may vary over time. All operating parameters, including "Typicals" must be validated for each customer application by customer's technical experts. ON Semiconductor does not convey any license under its patent rights nor the rights of others. ON Semiconductor products are not designed, intended, or authorized for use as a critical component in life support systems or any FDA Class 3 medical devices or medical devices with a same or similar classification in a foreign jurisdiction or any devices intended for implantation in the human body. Should Buyer purchase or use ON Semiconductor products for any such unintended or unauthorized application, Buyer shall indemnify and hold ON Semiconductor and its officers, employees, subsidiaries, affiliates, and distributors harmless against all claims, costs, damages, and expenses, and reasonable attorney fees arising out of, directly or indirectly, any claim of personal injury or death associated with such unintended or unauthorized use, even if such claim alleges that ON Semiconductor was negligent regarding the design or manufacture of the part. ON Semiconductor is an Equal Opportunity/Affirmative Action Employer. This literature is subject to all applicable copyright laws and is not for resale in any manner.

Looking for pricing, stock, or lifecycle information?

Click below to explore more details on WIN SOURCE:

- ⊖ [View STK984-190-E on WIN SOURCE](#)
- ⊖ [ON Semiconductor](#) Information

Optimize Your Supply Chain with WIN SOURCE Solutions

- ✓ Global Sourcing Solution
- ✓ Obsolete Management
- ✓ Cost Control Management
- ✓ Shortage Management
- ✓ Alternative Solution
- ✓ Excess Inventory Management