



**THE DATASHEET OF  
AP431ASRG-7**



ADJUSTABLE PRECISION SHUNT REGULATOR

## Description

The AP431 and AP431A are 3-terminal adjustable precision shunt regulators with guaranteed temperature stability over the applicable extended commercial temperature range. The output voltage may be set at any level greater than 2.495V ( $V_{REF}$ ) up to 36V merely by selecting two external resistors that act as a voltage divider network. These devices have a typical output impedance of 0.2Ω. Active output circuitry provides very sharp turn-on characteristics, making these devices excellent replacements for Zener diodes in many applications.

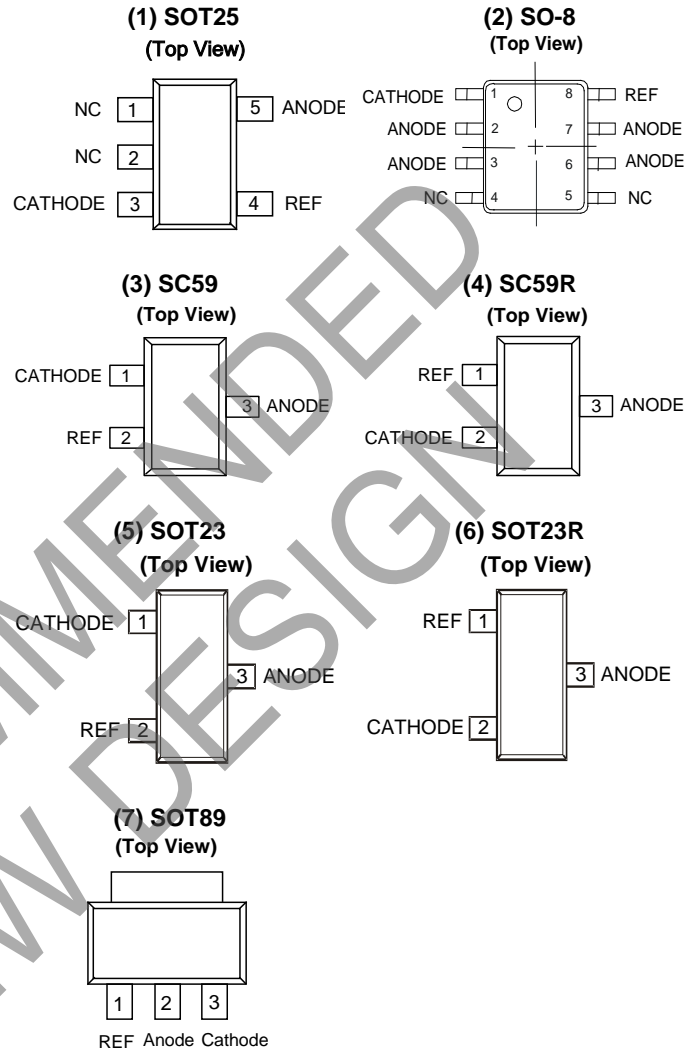
The precise (+/-) 1% reference voltage tolerance of the AP431/AP431A make it possible in many applications to avoid the use of a variable resistor, consequently saving cost and eliminating drift and reliability problems associated with it.

## Features

- Precision Reference Voltage
- AP431: 2.495V ± 1%
- AP431A: 2.495V ± 0.5%
- Sink Current Capability: 200mA
- Minimum Cathode Current for Regulation: 300μA
- Equivalent Full-Range Temp Coefficient: 30ppm/°C
- Fast Turn-On Response
- Low Dynamic Output Impedance: 0.2Ω
- Programmable Output Voltage to 36V
- Low Output Noise
- Lead Free Packages: SOT25, SC59, SC59R, SOT89 and SO-8
  - **Totally Lead-Free; RoHS Compliant (Notes 1 & 2)**
- SOT23, SOT23R, SOT25, SC59, SC59R, SO-8, SOT89: Available in "Green" Molding Compound (No Br, Sb). See "Ordering Information"
  - **Halogen and Antimony Free. "Green" Device (Note 3)**

Notes: 1. No purposely added lead. Fully EU Directive 2002/95/EC (RoHS) & 2011/65/EU (RoHS 2) compliant.  
 2. See <http://www.diodes.com> for more information about Diodes Incorporated's definitions of Halogen- and Antimony-free, "Green" and Lead-free.  
 3. Halogen- and Antimony-free "Green" products are defined as those which contain <900ppm bromine, <900ppm chlorine (<1500ppm total Br + Cl) and <1000ppm antimony compounds.

## Pin Assignments



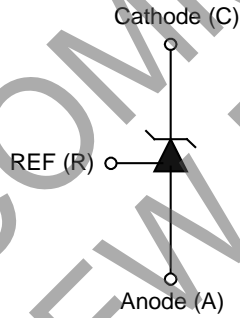
**Typical Applications Circuit**



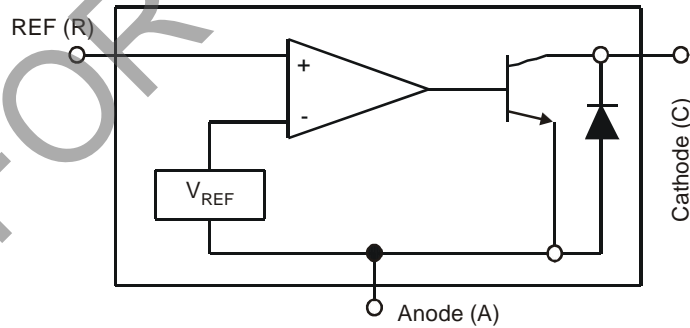
$$V_{OUT} = (1 + R1 / R2) V_{REF}$$

Precision Regulator

**Symbol**



**Functional Block Diagram**



**Absolute Maximum Ratings** (@T<sub>A</sub> = +25°C, unless otherwise specified.)

Parameter		Rating	Unit
Cathode Voltage		+36	V
Continuous Cathode Current		-10 to +250	mA
Reference Input Current		10	mA
Operating Temperature		-20 to +85	°C
Storage Temperature		-65 to +150	°C
Power Dissipation (Notes 4, 5)	SOT23(R)	400	mW
	SOT25	550	mW
	SC59(R)	400	mW
	SO-8	600	mW
	SOT89	800	mW

Notes: 4. T<sub>J</sub>, max = +150°C.  
5. Ratings apply to ambient temperature at +25°C.

**Electrical Characteristics** (@T<sub>A</sub> = +25°C, V<sub>DD</sub> = 3V; unless otherwise specified.)

Symbol	Parameter	Conditions	Min	Typ	Max	Units
V <sub>REF</sub>	Reference voltage	V <sub>KA</sub> = V <sub>REF</sub> , I <sub>KA</sub> = 10mA (Figure 1) AP431 AP431A	2.470 2.482	2.495	2.520 2.507	V
V <sub>DEV</sub>	Deviation of reference input voltage over temperature (Note 5)	V <sub>KA</sub> = V <sub>REF</sub> , I <sub>KA</sub> = 10mA T <sub>A</sub> = Full Range (Figure 1)	—	8.0	20.0	mV
$\frac{\Delta V_{REF}}{\Delta V_{KA}}$	Ratio of the change in reference voltage to the change in cathode voltage	I <sub>KA</sub> = 10mA (Figure 2)	—	-1.4	-2.0	mV/V
		V <sub>KA</sub> = V <sub>REF</sub> to 10V V <sub>KA</sub> = 10V to 36V	—	-1	-2	mV/V
I <sub>REF</sub>	Reference input current	R1 = 10KΩ, R2 = ∞ I <sub>KA</sub> = 10mA (Figure 2)	—	1.4	3.5	μA
αI <sub>REF</sub>	Deviation of reference input current over temperature	R1 = 10KΩ, R2 = ∞ I <sub>KA</sub> = 10mA T <sub>A</sub> = Full range (Figure 2)	—	0.4	1.2	μA
I <sub>KA(MIN)</sub>	Minimum cathode current for regulation	V <sub>KA</sub> = V <sub>REF</sub> (Figure 1)	—	0.19	0.50	mA
I <sub>KA(OFF)</sub>	Off-state current	V <sub>KA</sub> = 36V, V <sub>REF</sub> = 0V (Figure 3)	—	0.1	1.0	μA
Z <sub>KA</sub>	Dynamic output impedance (Note 7)	V <sub>KA</sub> = V <sub>REF</sub> V <sub>KA</sub> = V <sub>REF</sub> ΔI <sub>KA</sub> = 0.1mA to 15mA Frequency ≤ 1KHz (Figure 1)	—	0.2	0.5	Ω

**Electrical Characteristics** (cont.) (@T<sub>A</sub> = +25°C, V<sub>DD</sub> = 3V; unless otherwise specified.)



Note: 6. Deviation of reference input voltage,  $V_{DEV}$ , is defined as the maximum variation of the reference over the full temperature range. The average temperature coefficient of the reference input voltage  $\alpha V_{REF}$  is defined as:

$$|\alpha V_{REF}| = \frac{\left(\frac{V_{DEV}}{V_{REF}(25^\circ\text{C})}\right) \cdot 10^6}{T_2 - T_1} \dots\dots\dots (\text{ppm}/^\circ\text{C})$$

Where:

$T_2 - T_1$  = full temperature change.

$\alpha V_{REF}$  can be positive or negative depending on whether the slope is positive or negative.

Note: 7. The dynamic output impedance,  $R_Z$ , is defined as:

$$|Z_{KA}| = \frac{\Delta V_{KA}}{\Delta I_{KA}}$$

When the device is programmed with two external resistors  $R1$  and  $R2$  (see Figure 2.), the dynamic output impedance of the overall circuit, is defined as:

$$|Z_{KA}'| = \frac{\Delta V}{\Delta I} \approx |Z_{KA}| \left(1 + \frac{R1}{R2}\right)$$

**Test Conditions**



Figure. 1 Test Circuit for  $V_{KA} = V_{REF}$



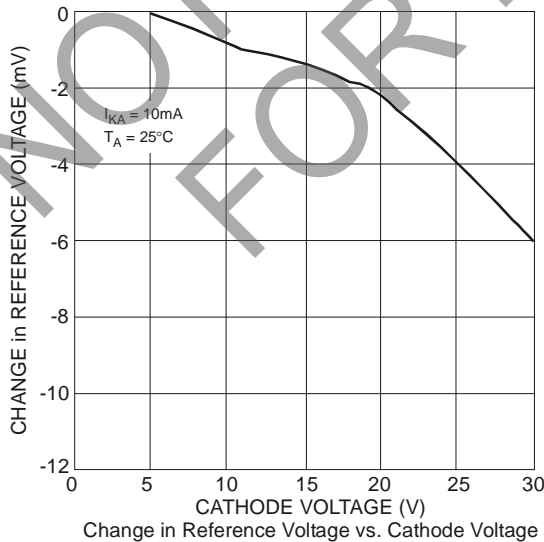
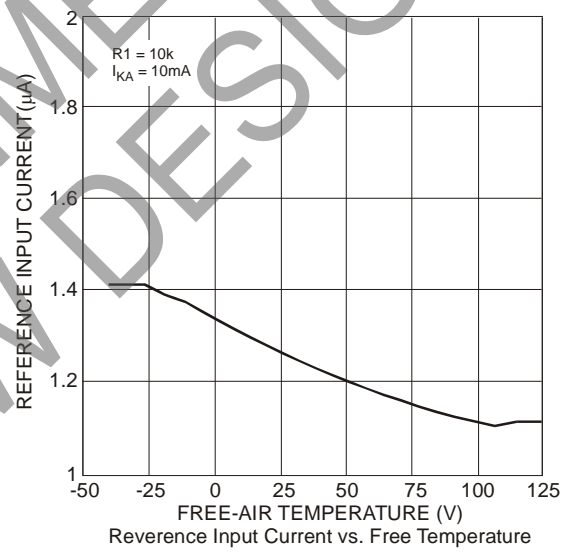
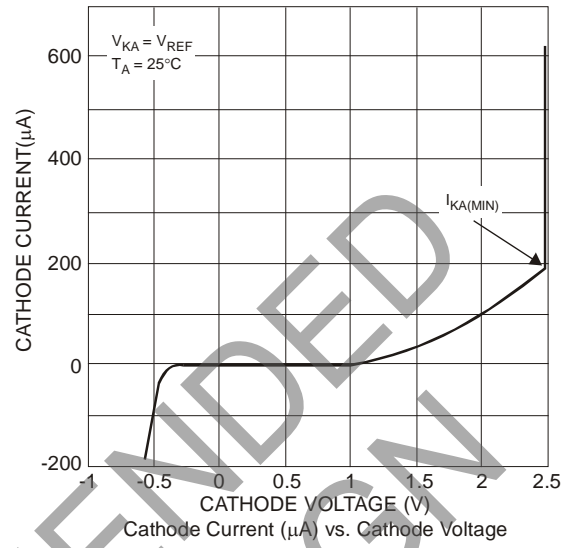
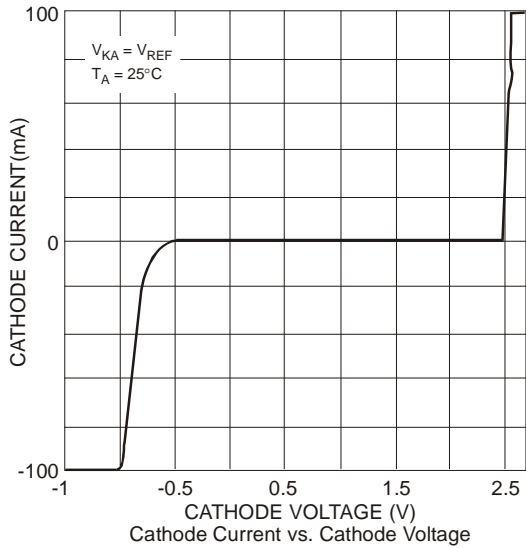
Note:  $V_{KA} = V_{REF} (1 + R1/R2) + I_{REF} \times R1$

Figure. 2 Test Circuit for  $V_{KA} > V_{REF}$

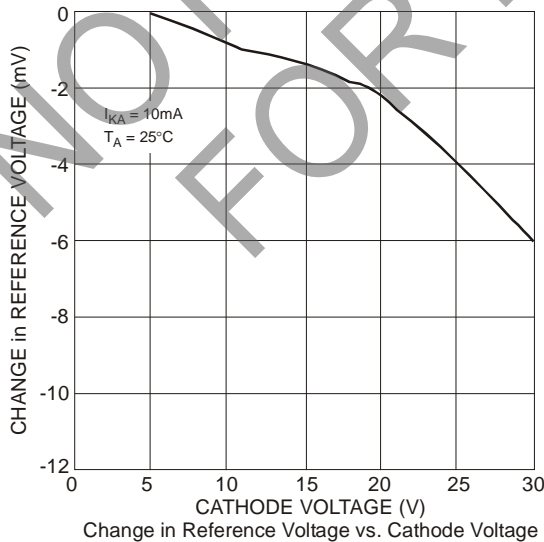
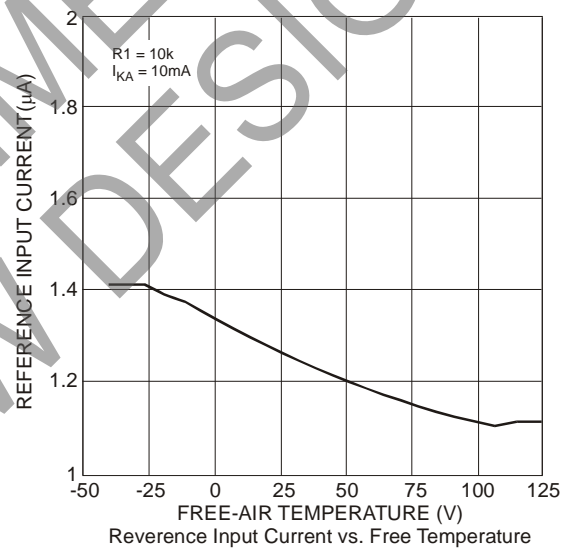
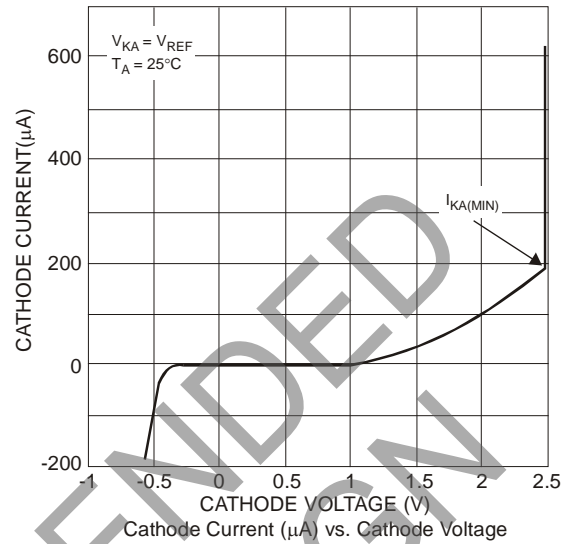
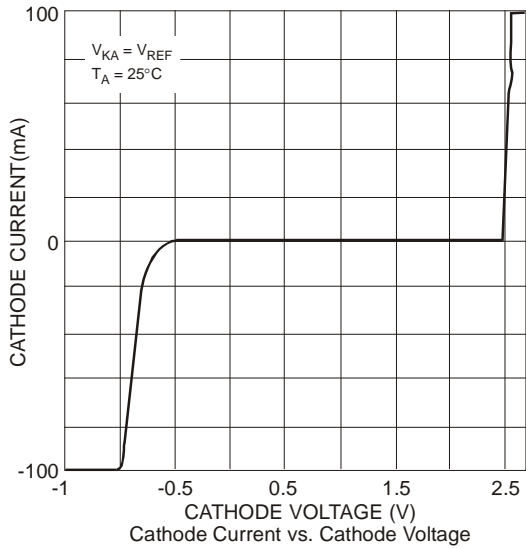


Figure. 3 Test Circuit for Off-State Current

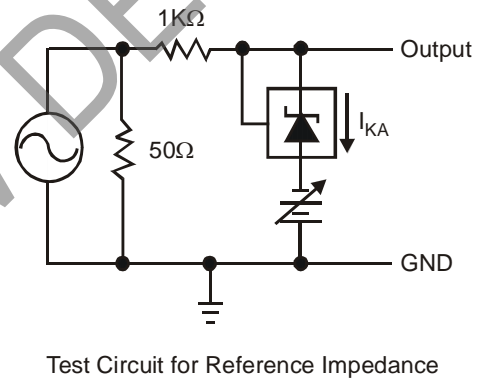
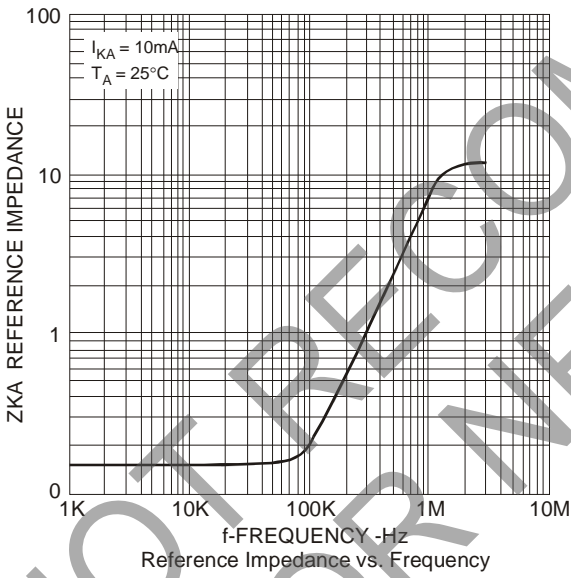
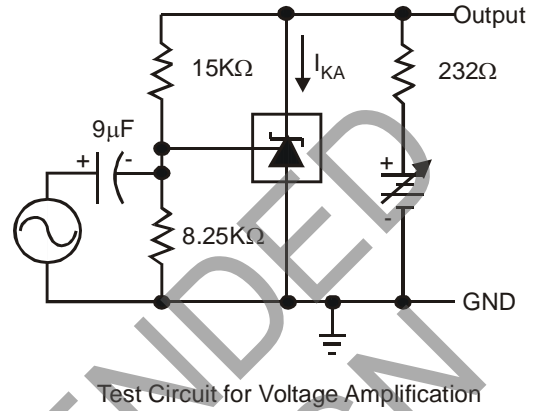
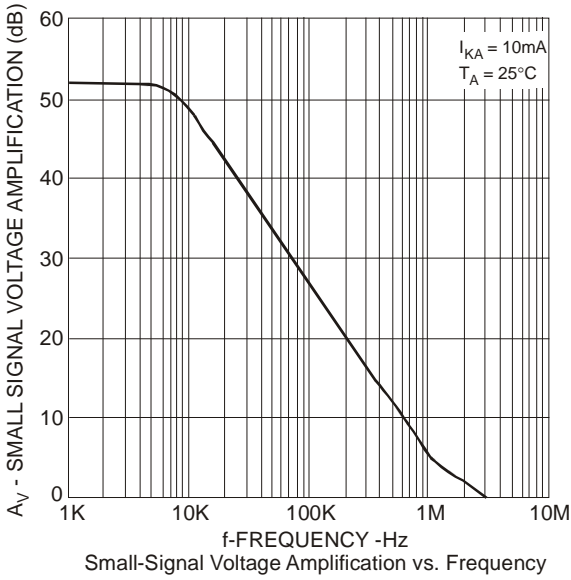
**Typical Performance Characteristics**



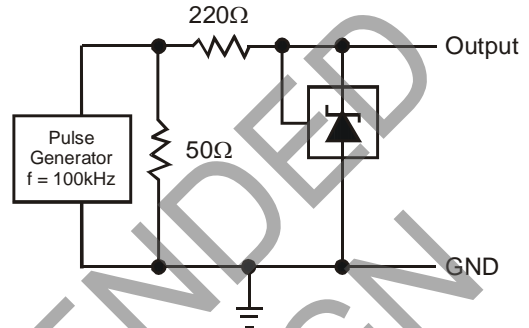
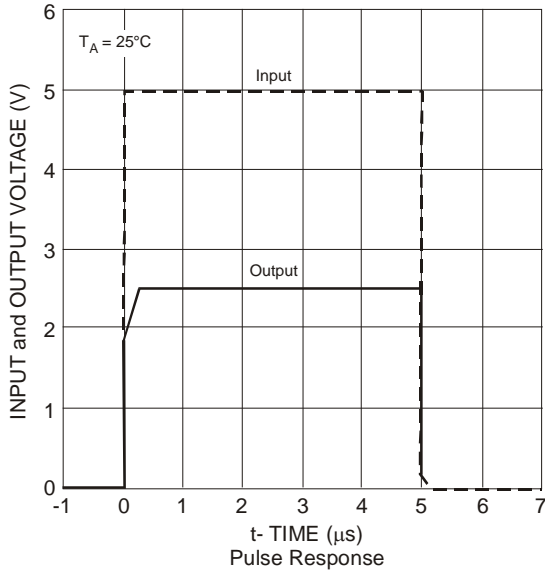
**Typical Performance Characteristics (cont.)**



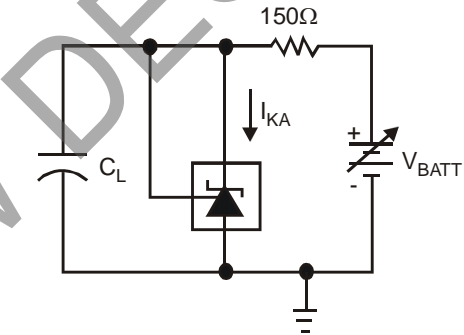
**Typical Performance Characteristics** (cont.)



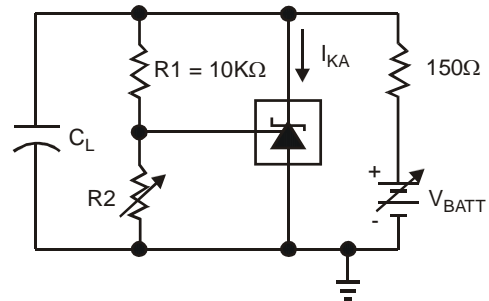
**Typical Performance Characteristics (cont.)**



Test Circuit for Pulse Response



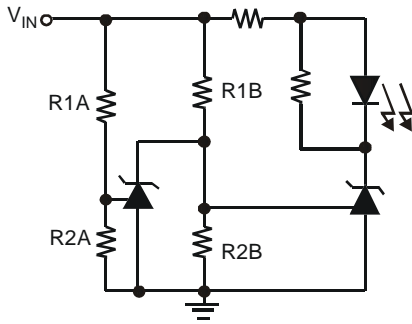
Test Circuit for Curve A



Test Circuit for Curve B, C, and D

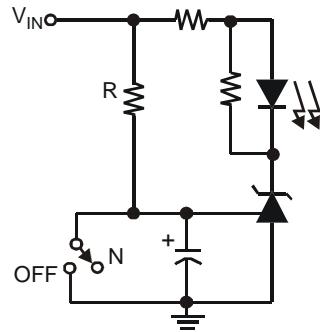
<sup>†</sup>The areas under the curves represent conditions that may cause the device to oscillate. For curves B, C, and D, R2 and V+ were adjusted to establish the initial  $V_{KA}$  and  $I_{KA}$  conditions with  $C_L = 0$ .  $V_{BATT}$  and  $C_L$  were then adjusted to determine the ranges of stability.

**Application Examples**



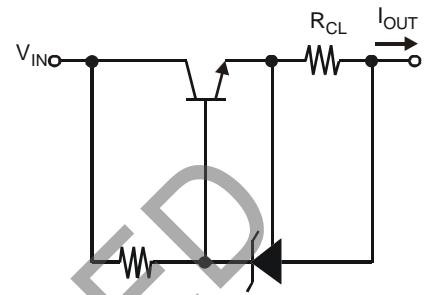
LED on when Low Limit < V<sub>IN</sub> < High Limit  
 Low Limit ≈ V<sub>REF</sub> (1 + R1B/R2B)  
 High Limit ≈ V<sub>REF</sub> (1 + R1A/R2A)

Fig. 4 Voltage Monitor



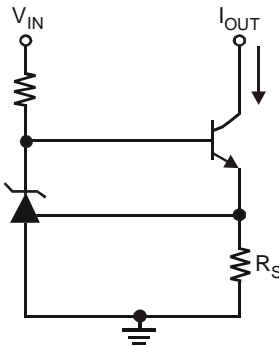
$$\text{Delay} = RC \times \ln\left(\frac{V_{IN}}{V_{IN} - V_{REF}}\right)$$

Fig 5. Delay Timer



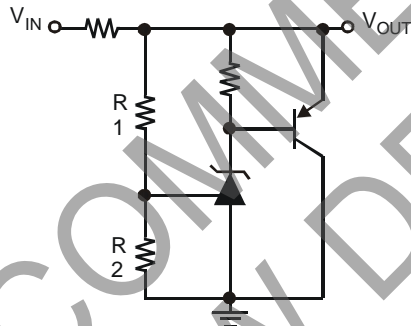
$$I_{OUT} = V_{REF} / R_{CL}$$

Fig 6. Current Limiter or Current Source



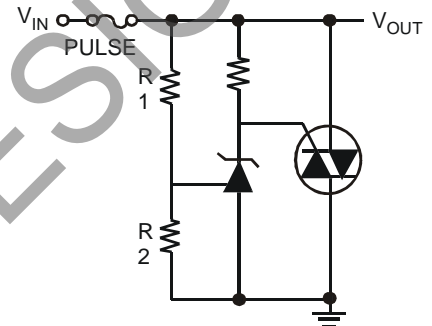
$$I_{OUT} = V_{REF} / R_S$$

Fig. 7 Constant-Current Sink



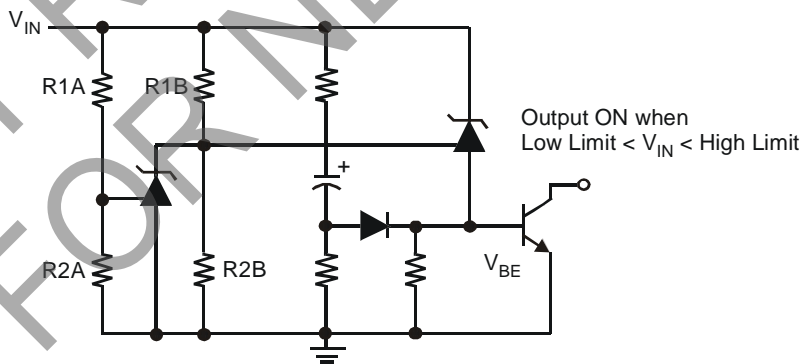
$$V_{OUT} = (1 + R1/R2) \times V_{REF}$$

Fig. 8 Higher-Current Shunt Regulator



$$\text{Limit} \approx (1 + R1/R2) \times V_{REF}$$

Fig. 9 Crow Bar



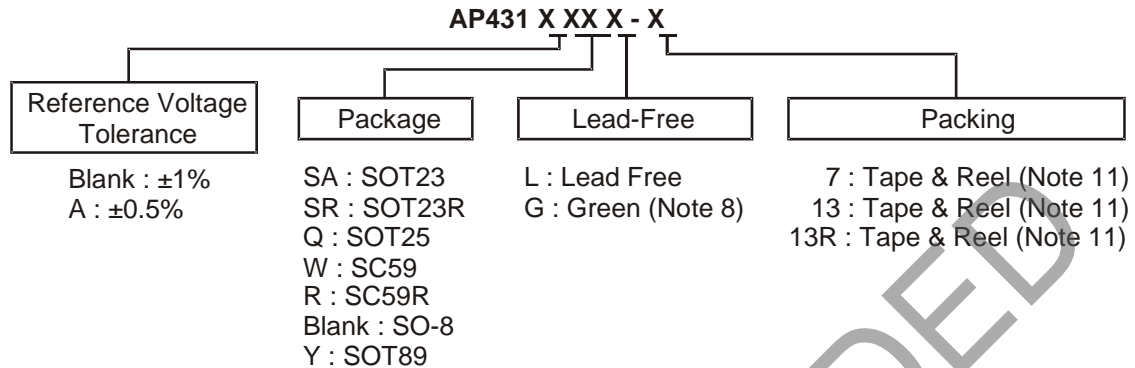
$$\text{Low Limit} \approx V_{REF} (1 + R1B/R2B) + V_{BE}$$

$$\text{High Limit} \approx V_{REF} (1 + R1A/R2A)$$

Fig. 10 Over-Voltage/ Under-Voltage Protection Circuit

Note: 12. Online application note, "Design Consideration with AP431 when used as a Comparator"  
 URL: [http://www.diodes.com/\\_files/products\\_appnote\\_pdfs/AN78.pdf](http://www.diodes.com/_files/products_appnote_pdfs/AN78.pdf)

## Ordering Information



Part Number (Note 10)	Package Code	Packaging	7"/13 Tape and Reel		Ammo Box	
			Quantity	Part Number Suffix (Note 11)	Quantity	Part Number Suffix
AP431(A)SAG-7	SA	SOT23	3000/Tape & Reel	-7	NA	NA
AP431(A)SRG-7	SR	SOT23R	3000/Tape & Reel	-7	NA	NA
AP431(A)QL-7	Q	SOT25	3000/Tape & Reel	-7	NA	NA
AP431(A)QG-7	Q	SOT25	3000/Tape & Reel	-7	NA	NA
AP431(A)WL-7	W	SC59	3000/Tape & Reel	-7	NA	NA
AP431(A)WG-7	W	SC59	3000/Tape & Reel	-7	NA	NA
AP431(A)RL-7	R	SC59R	3000/Tape & Reel	-7	NA	NA
AP431(A)RG-7	R	SC59R	3000/Tape & Reel	-7	NA	NA
AP431(A)G-13		SO-8	2500/Tape & Reel	-13	NA	NA
AP431(A)YL-13	Y	SOT89	2500/Tape & Reel	-13	NA	NA
AP431(A)YG-13	Y	SOT89	2500/Tape & Reel	-13	NA	NA
AP431(A)YG-13R	Y	SOT89	4000/Tape & Reel	-13R	NA	NA

Notes: 8. SO-8, SOT23 and SOT23R are available in "Green" products only.  
 9. Suffix "A" denotes AP431A device.  
 10. Details of tape and reel options can be seen in document AP2007, which can be found on our website at <http://www.diodes.com/datasheets/ap02007.pdf>

**Marking Information**

(1) SC59 and SC59R

( Top View )



XX : Identification code  
Y : Year 0~9  
W : Week : A~Z : 1~26 week;  
a~z : 27~52 week; z represents  
52 and 53 week  
X : A~Z : Green  
a~z : Lead Free

(2) SOT23 and SOT23R

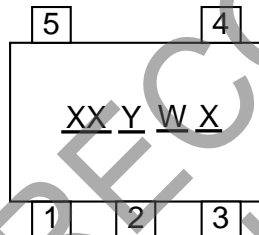
( Top View )



XX : Identification code  
Y : Year 0~9  
W : Week : A~Z : 1~26 week;  
a~z : 27~52 week; z represents  
52 and 53 week  
X : A~Z : Green

(3) SOT25

( Top View )



XX : Identification code  
Y : Year 0~9  
W : Week : A~Z : 1~26 week;  
a~z : 27~52 week; z represents  
52 and 53 week  
X : A~Z : Green  
a~z : Lead Free

(4) SO-8

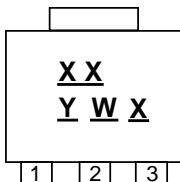
( Top View )



**Marking Information** (cont.)

(5) SOT89

( Top View )



XX : Identification code  
Y : Year : 0~9  
W : Week : A~Z : 1~26 week;  
a~z : 27~52 week;  
z represents 52 and 53 week  
X : Internal code  
A~Z: Green  
a~z : Lead Free

**Identification Code Table**

Device	Package (Note 11)	Identification Code	Date Code
AP431SA	SOT23	D1	YM
AP431ASA	SOT23	D2	YM
AP431SR	SOT23R	D5	YM
AP431ASR	SOT23R	D6	YM
AP431Q	SOT25	A2	YM
AP431AQ	SOT25	A3	YM
AP431W	SC59	A6	YM
AP431AW	SC59	A7	YM
AP431R	SC59	A8	YM
AP431AR	SC59	A9	YM
AP431Y	SOT89	A4	YM
AP431AY	SOT89	A5	YM

Note: 11. For Packaging Details, go to our website at <http://www.diodes.com/datasheets/ap02007.pdf>.

**Package Outline Dimensions** (All dimensions in mm.)

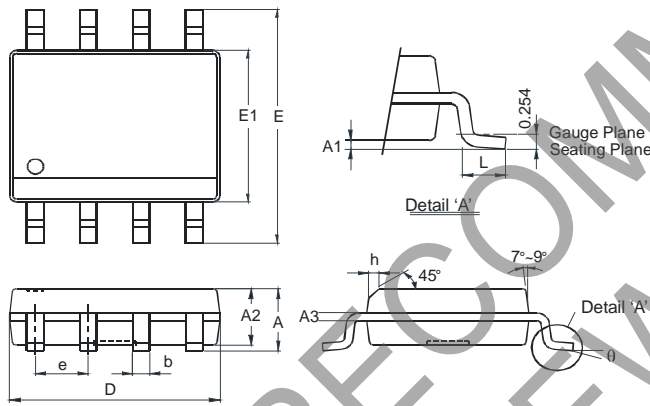
Please see AP02002 at <http://www.diodes.com/datasheets/ap02002.pdf> for latest version.

**(1) SOT25**



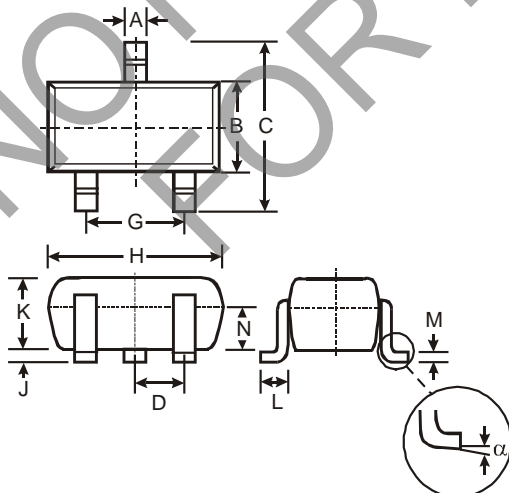
SOT25			
Dim	Min	Max	Typ
A	0.35	0.50	0.38
B	1.50	1.70	1.60
C	2.70	3.00	2.80
D	—	—	0.95
H	2.90	3.10	3.00
J	0.013	0.10	0.05
K	1.00	1.30	1.10
L	0.35	0.55	0.40
M	0.10	0.20	0.15
N	0.70	0.80	0.75
α	0°	8°	
All Dimensions in mm			

**(2) SO-8**



SO-8		
Dim	Min	Max
A	-	1.75
A1	0.10	0.20
A2	1.30	1.50
A3	0.15	0.25
b	0.3	0.5
D	4.85	4.95
E	5.90	6.10
E1	3.85	3.95
e	1.27 Typ	
h	-	0.35
L	0.62	0.82
θ	0°	8°
All Dimensions in mm		

**(3) SC59 and SC59R**

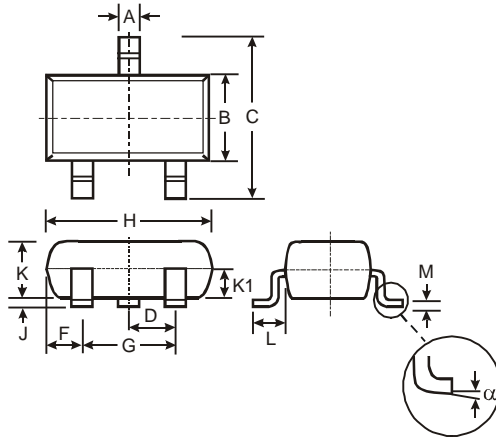


SC59			
Dim	Min	Max	Typ
A	0.35	0.50	0.38
B	1.50	1.70	1.60
C	2.70	3.00	2.80
D	-	-	0.95
G	-	-	1.90
H	2.90	3.10	3.00
J	0.013	0.10	0.05
K	1.00	1.30	1.10
L	0.35	0.55	0.40
M	0.10	0.20	0.15
N	0.70	0.80	0.75
α	0°	8°	-
All Dimensions in mm			

**Package Outline Dimensions** (cont.) (All dimensions in mm.)

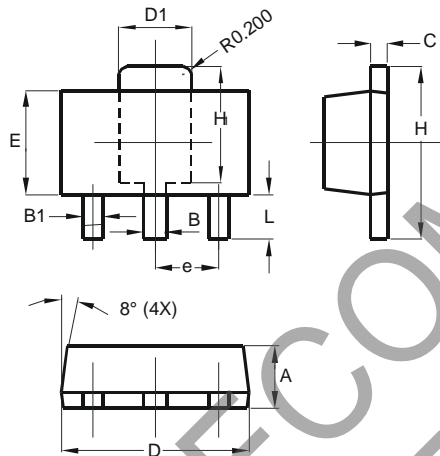
Please see AP02002 at <http://www.diodes.com/datasheets/ap02002.pdf> for latest version.

**(4) SOT23 and SOT23R**



SOT23			
Dim	Min	Max	Typ
A	0.37	0.51	0.40
B	1.20	1.40	1.30
C	2.30	2.50	2.40
D	0.89	1.03	0.915
F	0.45	0.60	0.535
G	1.78	2.05	1.83
H	2.80	3.00	2.90
J	0.013	0.10	0.05
K	0.903	1.10	1.00
K1	-	-	0.400
L	0.45	0.61	0.55
M	0.085	0.18	0.11
α	0°	8°	-
All Dimensions in mm			

**(5) SOT89**

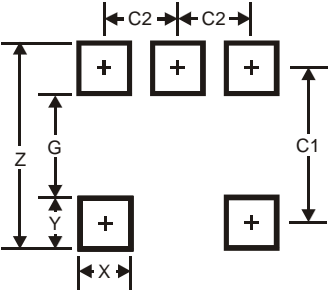


SOT89		
Dim	Min	Max
A	1.40	1.60
B	0.44	0.62
B1	0.35	0.54
C	0.35	0.44
D	4.40	4.60
D1	1.62	1.83
E	2.29	2.60
e	1.50 Typ	
H	3.94	4.25
H1	2.63	2.93
L	0.89	1.20
All Dimensions in mm		

**Suggested Pad Layout**

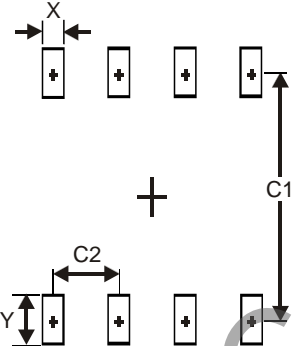
Please see AP02001 at <http://www.diodes.com/datasheets/ap02001.pdf> for the latest version.

**(1) SOT25**



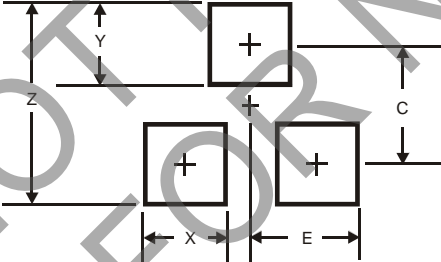
Dimensions	Value (in mm)
Z	3.20
G	1.60
X	0.55
Y	0.80
C1	2.40
C2	0.95

**(2) SO-8**



Dimensions	Value (in mm)
X	0.60
Y	1.55
C1	5.4
C2	1.27

**(3) SC59 and SC59R**

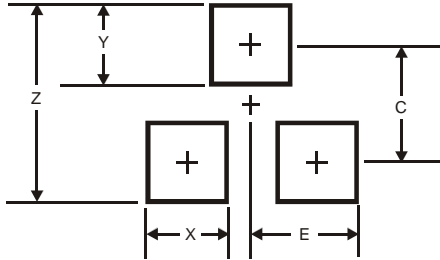


Dimensions	Value (in mm)
Z	3.4
X	0.8
Y	1.0
C	2.4
E	1.35

**Suggested Pad Layout (cont.)**

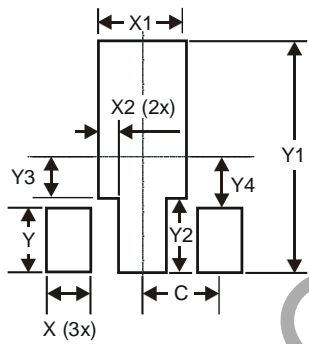
Please see AP02001 at <http://www.diodes.com/datasheets/ap02001.pdf> for the latest version.

**(4) SOT23 and SOT23R**



Dimensions	Value (in mm)
Z	2.9
X	0.8
Y	0.9
C	2.0
E	1.35

**(5) SOT89**



Dimensions	Value (in mm)
X	0.900
X1	1.733
X2	0.416
Y	1.300
Y1	4.600
Y2	1.475
Y3	0.950
Y4	1.125
C	1.500

NOT RECOMMENDED FOR NEW DESIGN

**IMPORTANT NOTICE**

DIODES INCORPORATED MAKES NO WARRANTY OF ANY KIND, EXPRESS OR IMPLIED, WITH REGARDS TO THIS DOCUMENT, INCLUDING, BUT NOT LIMITED TO, THE IMPLIED WARRANTIES OF MERCHANTABILITY AND FITNESS FOR A PARTICULAR PURPOSE (AND THEIR EQUIVALENTS UNDER THE LAWS OF ANY JURISDICTION).

Diodes Incorporated and its subsidiaries reserve the right to make modifications, enhancements, improvements, corrections or other changes without further notice to this document and any product described herein. Diodes Incorporated does not assume any liability arising out of the application or use of this document or any product described herein; neither does Diodes Incorporated convey any license under its patent or trademark rights, nor the rights of others. Any Customer or user of this document or products described herein in such applications shall assume all risks of such use and will agree to hold Diodes Incorporated and all the companies whose products are represented on Diodes Incorporated website, harmless against all damages.

Diodes Incorporated does not warrant or accept any liability whatsoever in respect of any products purchased through unauthorized sales channel. Should Customers purchase or use Diodes Incorporated products for any unintended or unauthorized application, Customers shall indemnify and hold Diodes Incorporated and its representatives harmless against all claims, damages, expenses, and attorney fees arising out of, directly or indirectly, any claim of personal injury or death associated with such unintended or unauthorized application.

Products described herein may be covered by one or more United States, international or foreign patents pending. Product names and markings noted herein may also be covered by one or more United States, international or foreign trademarks.

This document is written in English but may be translated into multiple languages for reference. Only the English version of this document is the final and determinative format released by Diodes Incorporated.

**LIFE SUPPORT**

Diodes Incorporated products are specifically not authorized for use as critical components in life support devices or systems without the express written approval of the Chief Executive Officer of Diodes Incorporated. As used herein:

A. Life support devices or systems are devices or systems which:

1. are intended to implant into the body, or
2. support or sustain life and whose failure to perform when properly used in accordance with instructions for use provided in the labeling can be reasonably expected to result in significant injury to the user.

B. A critical component is any component in a life support device or system whose failure to perform can be reasonably expected to cause the failure of the life support device or to affect its safety or effectiveness.

Customers represent that they have all necessary expertise in the safety and regulatory ramifications of their life support devices or systems, and acknowledge and agree that they are solely responsible for all legal, regulatory and safety-related requirements concerning their products and any use of Diodes Incorporated products in such safety-critical, life support devices or systems, notwithstanding any devices- or systems-related information or support that may be provided by Diodes Incorporated. Further, Customers must fully indemnify Diodes Incorporated and its representatives against any damages arising out of the use of Diodes Incorporated products in such safety-critical, life support devices or systems.

Copyright © 2014, Diodes Incorporated

[www.diodes.com](http://www.diodes.com)

## Looking for pricing, stock, or lifecycle information?

Click below to explore more details on WIN SOURCE:

-  [View AP431ASRG-7 on WIN SOURCE](#)
-  [Diodes Incorporated Information](#)

## Optimize Your Supply Chain with WIN SOURCE Solutions

-  Global Sourcing Solution
-  Obsolete Management
-  Cost Control Management
-  Shortage Management
-  Alternative Solution
-  Excess Inventory Management