



**THE DATASHEET OF  
74ABT374CMTC**



# 74ABT374

## Octal D-Type Flip-Flop with 3-STATE Outputs

### Features

- Edge-triggered D-type inputs
- Buffered positive edge-triggered clock
- 3-STATE outputs for bus-oriented applications
- Output sink capability of 64mA, source capability of 32mA
- Guaranteed output skew
- Guaranteed multiple output switching specifications
- Output switching specified for both 50pF and 250pF loads
- Guaranteed simultaneous switching, noise level and dynamic threshold performance
- Guaranteed latchup protection
- High-impedance, glitch-free bus loading during entire power up and power down cycle
- Nondestructive, hot-insertion capability


### General Description

The ABT374 is an octal D-type flip-flop featuring separate D-type inputs for each flip-flop and 3-STATE outputs for bus-oriented applications. A buffered Clock (CP) and Output Enable ( $\overline{OE}$ ) are common to all flip-flops.

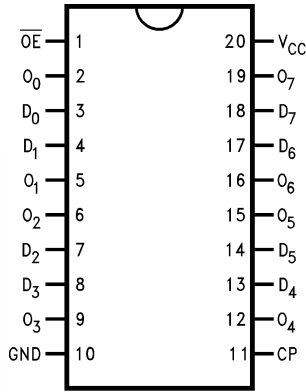
### Ordering Information

| Order Number | Package Number | Package Description   |
|--------------|----------------|---|
| 74ABT374CSC  | M20B           | 20-Lead Small Outline Integrated Circuit (SOIC), JEDEC MS-013, 0.300" Wide  |
| 74ABT374CSJ  | M20D           | 20-Lead Small Outline Package (SOP), EIAJ TYPE II, 5.3mm Wide               |
| 74ABT374CMSA | MSA20          | 20-Lead Shrink Small Outline Package (SSOP), JEDEC MO-150, 5.3mm Wide       |
| 74ABT374CMTC | MTC20          | 20-Lead Thin Shrink Small Outline Package (TSSOP), JEDEC MO-153, 4.4mm Wide |

Device also available in Tape and Reel. Specify by appending suffix letter "X" to the ordering number.

 All packages are lead free per JEDEC: J-STD-020B standard.

### Connection Diagram



### Pin Descriptions

| Pin Names                      | Description                              |
|--------------------------------|--|
| D <sub>0</sub> –D <sub>7</sub> | Data Inputs                              |
| CP                             | Clock Pulse Input (Active Rising Edge)   |
| $\overline{OE}$                | 3-STATE Output Enable Input (Active LOW) |
| O <sub>0</sub> –O <sub>7</sub> | 3-STATE Outputs                          |

### Functional Description

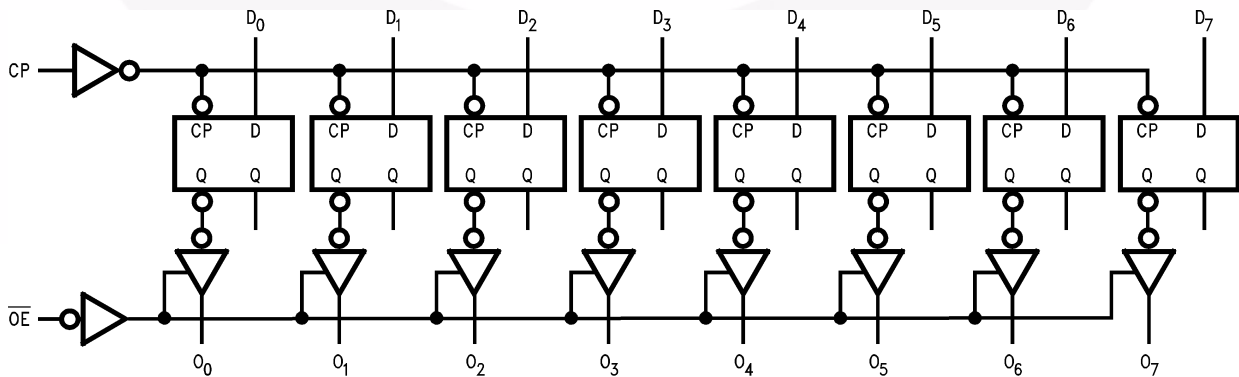
The ABT374 consists of eight edge-triggered flip-flops with individual D-type inputs and 3-STATE true outputs. The buffered clock and buffered Output Enable are common to all flip-flops. The eight flip-flops will store the state of their individual D inputs that meet the setup and hold time requirements on the LOW-to-HIGH Clock (CP) transition. With the Output Enable ( $\overline{OE}$ ) LOW, the contents of the eight flip-flops are available at the outputs. When  $\overline{OE}$  is HIGH, the outputs are in a high impedance state. Operation of the  $\overline{OE}$  input does not affect the state of the flip-flops.

### Function Table

| Inputs          |            |   | Internal | Outputs | Function          |
|-----------------|------------|---|----------|---------|-------------------|
| $\overline{OE}$ | CP         | D | Q        | O       |                   |
| H               | H          | L | NC       | Z       | Hold              |
| H               | H          | H | NC       | Z       | Hold              |
| H               | $\nearrow$ | L | L        | Z       | Load              |
| H               | $\nearrow$ | H | H        | Z       | Load              |
| L               | $\nearrow$ | L | L        | L       | Data Available    |
| L               | $\nearrow$ | H | H        | H       | Data Available    |
| L               | H          | L | NC       | NC      | No Change in Data |
| L               | H          | H | NC       | NC      | No Change in Data |

H = HIGH Voltage Level  
 L = LOW Voltage Level  
 X = Immaterial  
 Z = High Impedance  
 $\nearrow$  = LOW-to-HIGH Transition  
 NC = No Change

### Logic Diagram



Please note that this diagram is provided only for the understanding of logic operations and should not be used to estimate propagation delays.

## Absolute Maximum Ratings

Stresses exceeding the absolute maximum ratings may damage the device. The device may not function or be operable above the recommended operating conditions and stressing the parts to these levels is not recommended. In addition, extended exposure to stresses above the recommended operating conditions may affect device reliability. The absolute maximum ratings are stress ratings only.

| Symbol    | Parameter  | Rating  |
|-----------|--|---|
| $T_{STG}$ | Storage Temperature  | $-65^{\circ}\text{C}$ to $+150^{\circ}\text{C}$               |
| $T_A$     | Ambient Temperature Under Bias   | $-55^{\circ}\text{C}$ to $+125^{\circ}\text{C}$               |
| $T_J$     | Junction Temperature Under Bias  | $-55^{\circ}\text{C}$ to $+150^{\circ}\text{C}$               |
| $V_{CC}$  | $V_{CC}$ Pin Potential to Ground Pin   | $-0.5\text{V}$ to $+7.0\text{V}$                              |
| $V_{IN}$  | Input Voltage <sup>(1)</sup>   | $-0.5\text{V}$ to $+7.0\text{V}$                              |
| $I_{IN}$  | Input Current <sup>(1)</sup>   | $-30\text{mA}$ to $+5.0\text{mA}$                             |
| $V_O$     | Voltage Applied to Any Output<br>Disabled or Power-Off State<br>HIGH State                   | $-0.5\text{V}$ to $5.5\text{V}$<br>$-0.5\text{V}$ to $V_{CC}$ |
|           | Current Applied to Output in LOW State (Max.)  | twice the rated $I_{OL}$ (mA)                                 |
|           | DC Latchup Source Current Across Common Operating Range<br>$\overline{OE}$ Pin<br>Other Pins | $-150\text{mA}$<br>$-500\text{mA}$                            |
|           | Over Voltage Latchup (I/O)   | 10V   |

### Note:

1. Either voltage limit or current limit is sufficient to protect inputs.

## Recommended Operating Conditions

The Recommended Operating Conditions table defines the conditions for actual device operation. Recommended operating conditions are specified to ensure optimal performance to the datasheet specifications. Fairchild does not recommend exceeding them or designing to absolute maximum ratings.

| Symbol                | Parameter  | Rating   |
|-----------------------|--|--|
| $T_A$                 | Free Air Ambient Temperature   | $-40^{\circ}\text{C}$ to $+85^{\circ}\text{C}$ |
| $V_{CC}$              | Supply Voltage   | $+4.5\text{V}$ to $+5.5\text{V}$               |
| $\Delta V / \Delta t$ | Minimum Input Edge Rate<br>Data Input<br>Enable Input<br>Clock Input | 50mV/ns<br>20mV/ns<br>100mV/ns                 |

## DC Electrical Characteristics

| Symbol            | Parameter                                      |                 | V <sub>CC</sub> | Conditions   | Min. | Typ. | Max. | Units  |
|-------------------|--|-----------------|-----------------|--|------|------|------|--------|
| V <sub>IH</sub>   | Input HIGH Voltage                             |                 |                 | Recognized HIGH Signal   | 2.0  |      |      | V      |
| V <sub>IL</sub>   | Input LOW Voltage                              |                 |                 | Recognized LOW Signal  |      |      | 0.8  | V      |
| V <sub>CD</sub>   | Input Clamp Diode Voltage                      |                 | Min.            | I <sub>IN</sub> = -18mA  |      |      | -1.2 | V      |
| V <sub>OH</sub>   | Output HIGH Voltage                            |                 | Min.            | I <sub>OH</sub> = -3mA   | 2.5  |      |      | V      |
|                   |  |                 |                 | I <sub>OH</sub> = -32mA  | 2.0  |      |      |        |
| V <sub>OL</sub>   | Output LOW Voltage                             |                 | Min.            | I <sub>OL</sub> = 64mA   |      |      | 0.55 | V      |
| I <sub>IH</sub>   | Input HIGH Current                             |                 | Max.            | V <sub>IN</sub> = 2.7V <sup>(3)</sup>  |      |      | 1    | μA     |
|                   |  |                 |                 | V <sub>IN</sub> = V <sub>CC</sub>  |      |      | 1    |        |
| I <sub>BVI</sub>  | Input HIGH Current Breakdown Test              |                 | Max.            | V <sub>IN</sub> = 7.0V   |      |      | 7    | μA     |
| I <sub>IL</sub>   | Input LOW Current                              |                 | Max.            | V <sub>IN</sub> = 0.5V <sup>(3)</sup>  |      |      | -1   | μA     |
|                   |  |                 |                 | V <sub>IN</sub> = 0.0V   |      |      | -1   |        |
| V <sub>ID</sub>   | Input Leakage Test                             |                 | 0.0             | I <sub>ID</sub> = 1.9μA, All Other Pins Grounded   | 4.75 |      |      | V      |
| I <sub>OZH</sub>  | Output Leakage Current                         |                 | 0-5.5V          | V <sub>OUT</sub> = 2.7V, $\overline{OE}$ = 2.0V  |      |      | 10   | μA     |
| I <sub>OZL</sub>  | Output Leakage Current                         |                 | 0-5.5V          | V <sub>OUT</sub> = 0.5V, $\overline{OE}$ = 2.0V  |      |      | -10  | μA     |
| I <sub>OS</sub>   | Output Short-Circuit Current                   |                 | Max.            | V <sub>OUT</sub> = 0.0V  | -100 |      | -275 | mA     |
| I <sub>CEX</sub>  | Output HIGH Leakage Current                    |                 | Max.            | V <sub>OUT</sub> = V <sub>CC</sub>   |      |      | 50   | μA     |
| I <sub>ZZ</sub>   | Bus Drainage Test                              |                 | 0.0             | V <sub>OUT</sub> = 5.5V, All Others V <sub>CC</sub> or GND                               |      |      | 100  | μA     |
| I <sub>CCH</sub>  | Power Supply Current                           |                 | Max.            | All Outputs HIGH   |      |      | 50   | μA     |
| I <sub>CCL</sub>  | Power Supply Current                           |                 | Max.            | All Outputs LOW  |      |      | 30   | mA     |
| I <sub>CCZ</sub>  | Power Supply Current                           |                 | Max.            | $\overline{OE}$ = V <sub>CC</sub> , All Others at V <sub>CC</sub> or GND                 |      |      | 50   | μA     |
| I <sub>CC</sub> T | Additional I <sub>CC</sub> /Input              | Outputs Enabled | Max.            | V <sub>I</sub> = V <sub>CC</sub> - 2.1V  |      |      | 2.5  | mA     |
|                   |  | Outputs 3-STATE |                 | Enable Input V <sub>I</sub> = V <sub>CC</sub> - 2.1V                                     |      |      | 2.5  | mA     |
|                   |  | Outputs 3-STATE |                 | Data Input V <sub>I</sub> = V <sub>CC</sub> - 2.1V, All Others at V <sub>CC</sub> or GND |      |      | 2.5  | mA     |
| I <sub>CCD</sub>  | Dynamic I <sub>CC</sub> No Load <sup>(4)</sup> |                 | Max.            | Outputs OPEN, $\overline{OE}$ = GND <sup>(2)</sup> , One-Bit Toggling, 50% Duty Cycle    |      |      | 0.30 | mA/MHz |

**Notes:**

- For 8-bit toggling, I<sub>CCD</sub> < 0.8mA/MHz.
- Guaranteed, but not tested.

## DC Electrical Characteristics

SOIC package.

| Symbol           | Parameter                                    | V <sub>CC</sub> | Conditions<br>C <sub>L</sub> = 50pF,<br>R <sub>L</sub> = 500Ω | Min. | Typ. | Max. | Units |
|------------------|--|-----------------|---|------|------|------|-------|
| V <sub>OLP</sub> | Quiet Output Maximum Dynamic V <sub>OL</sub> | 5.0             | T <sub>A</sub> = 25°C <sup>(4)</sup>                          |      | 0.5  | 0.8  | V     |
| V <sub>OLV</sub> | Quiet Output Minimum Dynamic V <sub>OL</sub> | 5.0             | T <sub>A</sub> = 25°C <sup>(4)</sup>                          | -1.3 | -0.9 |      | V     |
| V <sub>OHV</sub> | Minimum HIGH Level Dynamic Output Voltage    | 5.0             | T <sub>A</sub> = 25°C <sup>(5)</sup>                          | 2.5  | 3.0  |      | V     |
| V <sub>IHD</sub> | Minimum HIGH Level Dynamic Input Voltage     | 5.0             | T <sub>A</sub> = 25°C <sup>(6)</sup>                          | 2.0  | 1.6  |      | V     |
| V <sub>ILD</sub> | Maximum LOW Level Dynamic Input Voltage      | 5.0             | T <sub>A</sub> = 25°C <sup>(6)</sup>                          |      | 1.3  | 0.8  | V     |

### Notes:

- Max number of outputs defined as (n). n – 1 data inputs are driven 0V to 3V. One output at Low. Guaranteed, but not tested.
- Max number of outputs defined as (n). n – 1 data inputs are driven 0V to 3V. One output HIGH. Guaranteed, but not tested.
- Max number of data inputs (n) switching. n – 1 inputs switching 0V to 3V. Input-under-test switching: 3V to threshold (V<sub>ILD</sub>), 0V to threshold (V<sub>IHD</sub>). Guaranteed, but not tested.

## AC Electrical Characteristics

SOIC and SSOP package.

| Symbol           | Parameter               | T <sub>A</sub> = +25°C,<br>V <sub>CC</sub> = +5V,<br>C <sub>L</sub> = 50pF |      |      | T <sub>A</sub> = -55°C to +125°C,<br>V <sub>CC</sub> = 4.5V to 5.5V,<br>C <sub>L</sub> = 50pF |      | T <sub>A</sub> = -40°C to +85°C,<br>V <sub>CC</sub> = 4.5V to 5.5V,<br>C <sub>L</sub> = 50pF |      | Units |
|------------------|-------------------------|--|------|------|---|------|--|------|-------|
|                  |                         | Min.   | Typ. | Max. | Min.  | Max. | Min.   | Max. |       |
| f <sub>MAX</sub> | Maximum Clock Frequency | 150  | 200  |      | 150   |      | 150  |      | MHz   |
| t <sub>PLH</sub> | Propagation Delay       | 2.0  | 3.2  | 5.0  | 1.4   | 6.6  | 2.0  | 5.0  | ns    |
| t <sub>PHL</sub> | CP to O <sub>n</sub>    | 2.0  | 3.3  | 5.0  | 2.0   | 7.6  | 2.0  | 5.0  |       |
| t <sub>PZH</sub> | Output Enable Time      | 1.5  | 3.1  | 5.3  | 0.8   | 5.7  | 1.5  | 5.3  | ns    |
| t <sub>PZL</sub> |                         | 1.5  | 3.1  | 5.3  | 1.5   | 7.2  | 1.5  | 5.3  |       |
| t <sub>PHZ</sub> | Output Disable Time     | 1.5  | 3.6  | 5.4  | 1.3   | 7.2  | 1.5  | 5.4  | ns    |
| t <sub>PLZ</sub> |                         | 1.5  | 3.4  | 5.4  | 1.0   | 7.0  | 1.5  | 5.4  |       |

## AC Operating Requirements

| Symbol          | Parameter                           | $T_A = +25^\circ\text{C}$<br>$V_{CC} = +5.0\text{V}$<br>$C_L = 50\text{pF}$ |      | $T_A = -55^\circ\text{C to } +125^\circ\text{C}$<br>$V_{CC} = 4.5\text{V to } 5.5\text{V}$<br>$C_L = 50\text{pF}$ |      | $T_A = -40^\circ\text{C to } +85^\circ\text{C}$<br>$V_{CC} = 4.5\text{V to } 5.5\text{V}$<br>$C_L = 50\text{pF}$ |      | Units |
|-----------------|-------------------------------------|---|------|---|------|--|------|-------|
|                 |                                     | Min.  | Max. | Min.  | Max. | Min.   | Max. |       |
| $t_S(\text{H})$ | Setup Time, HIGH or LOW $D_n$ to CP | 1.5   |      | 2.5   |      | 1.0  |      | ns    |
| $t_S(\text{L})$ |                                     | 1.5   |      | 2.5   |      | 1.5  |      |       |
| $t_H(\text{H})$ | Hold Time, HIGH or LOW $D_n$ to CP  | 1.0   |      | 2.5   |      | 1.0  |      | ns    |
| $t_H(\text{L})$ |                                     | 1.0   |      | 2.5   |      | 1.0  |      |       |
| $t_W(\text{H})$ | Pulse Width, CP HIGH or LOW         | 3.0   |      | 3.3   |      | 3.0  |      | ns    |
| $t_W(\text{L})$ |                                     | 3.0   |      | 3.3   |      | 3.0  |      |       |

## Extended AC Electrical Characteristics

SOIC package.

| Symbol    | Parameter                     | $T_A = -40^\circ\text{C to } +85^\circ\text{C}$ ,<br>$V_{CC} = 4.5\text{V to } 5.5\text{V}$ ,<br>$C_L = 50\text{pF}$ ,<br>8 Outputs Switching <sup>(7)</sup> |     | $T_A = -40^\circ\text{C to } +85^\circ\text{C}$ ,<br>$V_{CC} = 4.5\text{V to } 5.5\text{V}$ ,<br>$C_L = 250\text{pF}$ <sup>(8)</sup> |     | $T_A = -40^\circ\text{C to } +85^\circ\text{C}$ ,<br>$V_{CC} = 4.5\text{V to } 5.5\text{V}$ ,<br>$C_L = 250\text{pF}$ ,<br>8 Outputs Switching <sup>(9)</sup> |      | Units |
|-----------|-------------------------------|--|-----|--|-----|---|------|-------|
|           |                               | Min  | Max | Min  | Max | Min   | Max  |       |
| $t_{PLH}$ | Propagation Delay CP to $O_n$ | 1.5  | 5.7 | 2.0  | 7.8 | 2.0   | 10.0 | ns    |
| $t_{PHL}$ |                               | 1.5  | 5.7 | 2.0  | 7.8 | 2.0   | 10.0 |       |
| $t_{PZH}$ | Output Enable Time            | 1.5  | 6.2 | 2.0  | 8.0 | 2.0   | 10.5 | ns    |
| $t_{PZL}$ |                               | 1.5  | 6.2 | 2.0  | 8.0 | 2.0   | 10.5 |       |
| $t_{PHZ}$ | Output Disable Time           | 1.0  | 5.5 | (10)   |     | (10)  |      | ns    |
| $t_{PZL}$ |                               | 1.0  | 5.5 | (10)   |     | (10)  |      |       |

### Notes:

- This specification is guaranteed but not tested. The limits apply to propagation delays for all paths described switching in phase (i.e., all LOW-to-HIGH, HIGH-to-LOW, etc.).
- This specification is guaranteed but not tested. The limits represent propagation delay with 250pF load capacitors in place of the 50pF load capacitors in the standard AC load. This specification pertains to single output switching only.
- This specification is guaranteed but not tested. The limits represent propagation delays for all paths described switching in phase (i.e., all LOW-to-HIGH, HIGH-to-LOW, etc.) with 250pF load capacitors in place of the 50pF load capacitors in the standard AC load.
- The 3-STATE delay Time is dominated by the RC network (500Ω, 250pF) on the output and has been excluded from the datasheet.

**Skew<sup>(15)</sup>**

SOIC package.

| Symbol            | Parameter                                   | $T_A = -40^{\circ}\text{C to } +85^{\circ}\text{C}$<br>$V_{CC} = 4.5\text{V} - 5.5\text{V}$<br>$C_L = 50\text{ pF}$<br>8 Outputs Switching <sup>(11)</sup> | $T_A = -40^{\circ}\text{C to } +85^{\circ}\text{C}$<br>$V_{CC} = 4.5\text{V} - 5.5\text{V}$<br>$C_L = 250\text{ pF}$<br>8 Outputs Switching <sup>(12)</sup> | Units |
|-------------------|---|--|---|-------|
|                   |   | Max.   | Max.  |       |
| $t_{OSHL}^{(13)}$ | Pin to Pin Skew,<br>HL Transitions          | 1.0  | 1.8   | ns    |
| $t_{OSLH}^{(13)}$ | Pin to Pin Skew,<br>LH Transitions          | 1.0  | 1.8   | ns    |
| $t_{PS}^{(12)}$   | Duty Cycle, LH–HL Skew                      | 1.8  | 4.3   | ns    |
| $t_{OST}^{(13)}$  | Pin to Pin Skew,<br>LH/HL Transitions       | 2.0  | 4.3   | ns    |
| $t_{PV}^{(14)}$   | Device to Device Skew,<br>LH/HL Transitions | 2.5  | 4.6   | ns    |

**Notes:**

- This specification is guaranteed but not tested. The limits represent propagation delays with 250pF load capacitors in place of the 50pF load capacitors in the standard AC load.
- This describes the difference between the delay of the LOW-to-HIGH and the HIGH-to-LOW transition on the same pin. It is measured across all the outputs (drivers) on the same chip, the worst (largest delta) number is the guaranteed specification. This specification is guaranteed but not tested.
- Skew is defined as the absolute value of the difference between the actual propagation delays for any two separate outputs of the same device. The specification applies to any outputs switching HIGH-to-LOW ( $t_{OSHL}$ ), LOW-to-HIGH ( $t_{OSLH}$ ), or any combination switching LOW-to-HIGH and/or HIGH-to-LOW ( $t_{OST}$ ). This specification is guaranteed but not tested.
- Propagation delay variation for a given set of conditions (i.e., temperature and  $V_{CC}$ ) from device to device. This specification is guaranteed but not tested.
- This specification is guaranteed but not tested. The limits apply to propagation delays for all paths described switching in phase (i.e., all LOW-to-HIGH, HIGH-to-LOW, etc.).

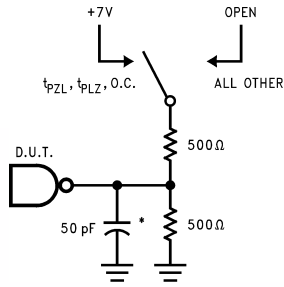
**Capacitance**

| Symbol           | Parameter          | Conditions<br>$T_A = 25^{\circ}\text{C}$ | Typ. | Units |
|------------------|--------------------|--|------|-------|
| $C_{IN}$         | Input Capacitance  | $V_{CC} = 0\text{V}$                     | 5.0  | pF    |
| $C_{OUT}^{(16)}$ | Output Capacitance | $V_{CC} = 5.0\text{V}$                   | 9.0  | pF    |

**Note:**

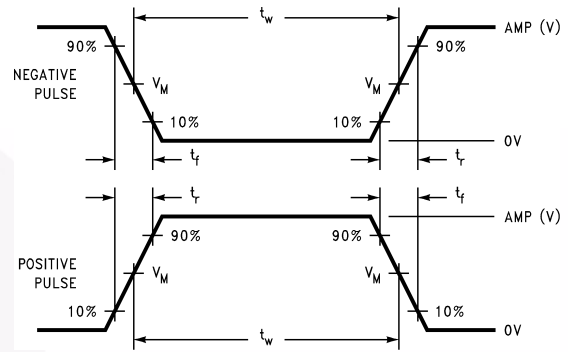
- $C_{OUT}$  is measured at frequency  $f = 1\text{MHz}$ , per MIL-STD-883, Method 3012.

### AC Loading



\*Includes jig and probe capacitance

**Figure 1. Standard AC Test Load**



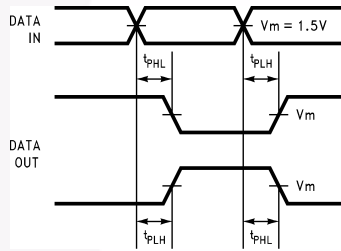
**Figure 2.  $V_M = 1.5V$**

### Input Pulse Requirements

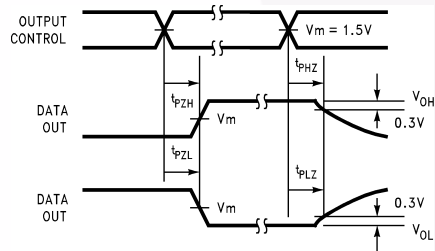
| Amplitude | Rep. Rate | $t_w$ | $t_r$ | $t_f$ |
|-----------|-----------|-------|-------|-------|
| 3.0V      | 1 MHz     | 500ns | 2.5ns | 2.5ns |

**Figure 3. Test Input Signal Requirements**

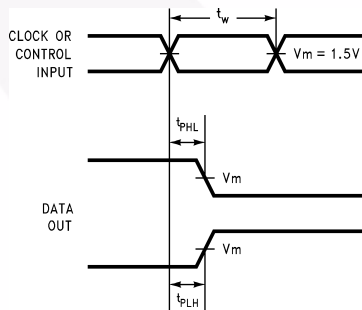
### AC Waveforms



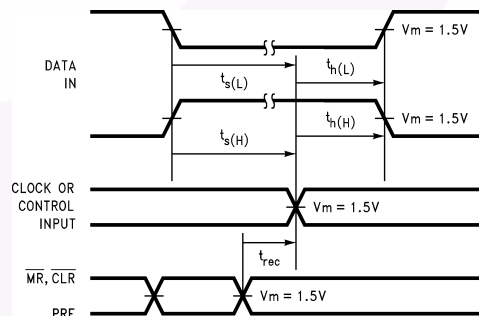
**Figure 4. Propagation Delay Waveforms for Inverting and Non-Inverting Functions**



**Figure 6. 3-STATE Output HIGH and LOW Enable and Disable Times**

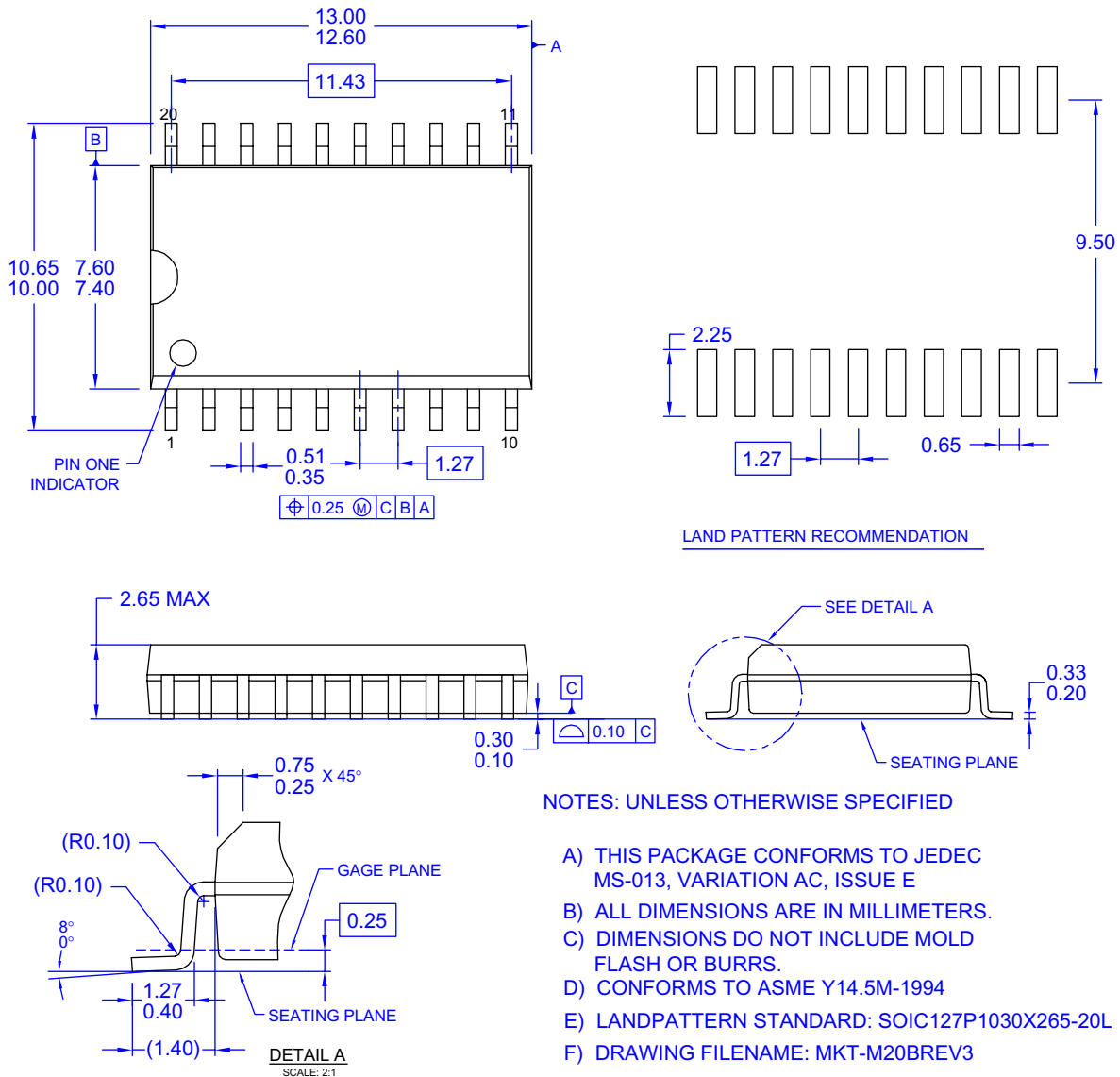


**Figure 5. Propagation Delay, Pulse Width Waveforms**



**Figure 7. Setup Time, Hold Time and Recovery Time Waveforms**

### Physical Dimensions



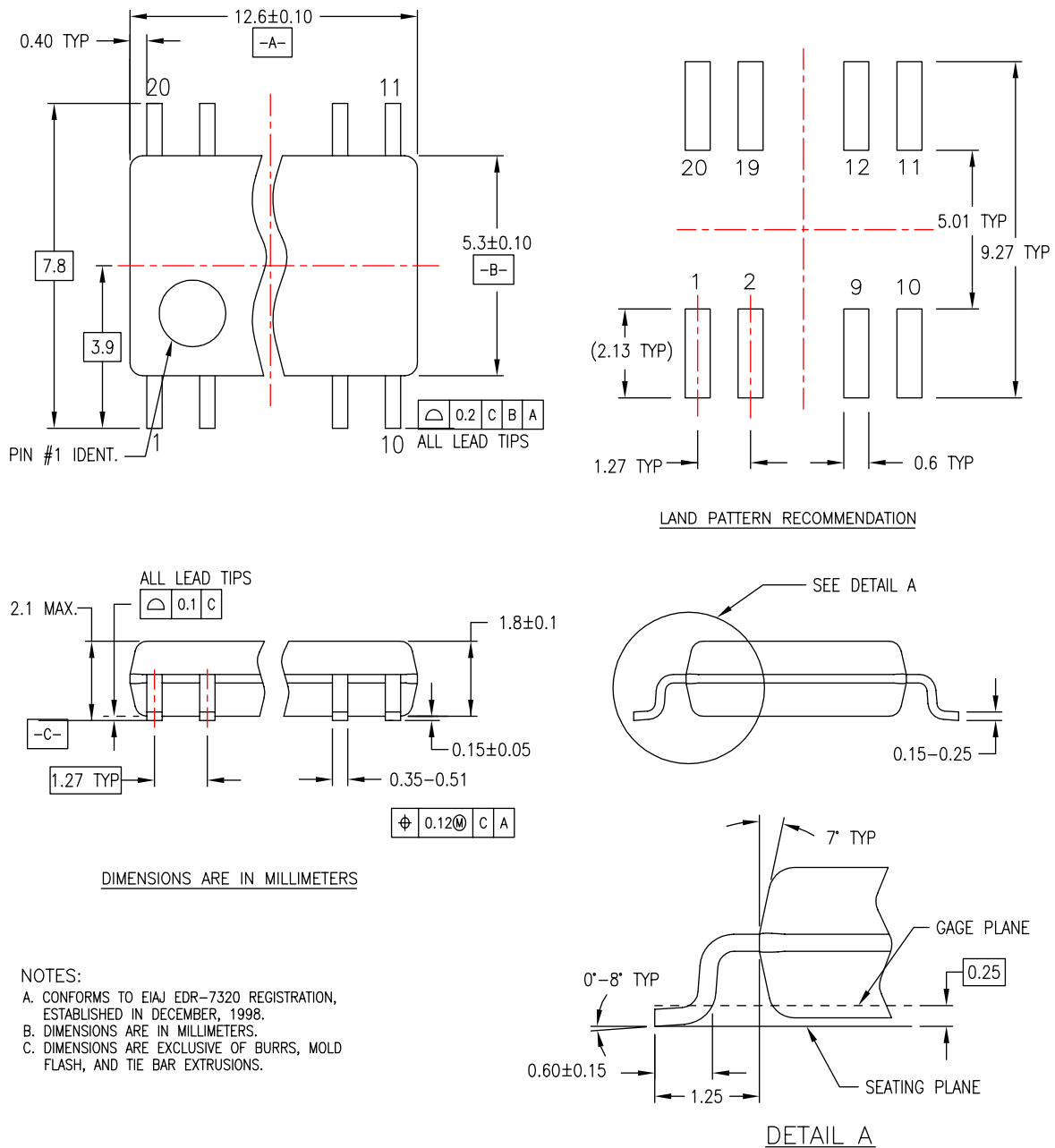
**Figure 8. 20-Lead Small Outline Integrated Circuit (SOIC), JEDEC MS-013, 0.300" Wide**

Package drawings are provided as a service to customers considering Fairchild components. Drawings may change in any manner without notice. Please note the revision and/or date on the drawing and contact a Fairchild Semiconductor representative to verify or obtain the most recent revision. Package specifications do not expand the terms of Fairchild's worldwide terms and conditions, specifically the warranty therein, which covers Fairchild products.

Always visit Fairchild Semiconductor's online packaging area for the most recent package drawings:

<http://www.fairchildsemi.com/packaging/>

Physical Dimensions (Continued)



M20DREVC

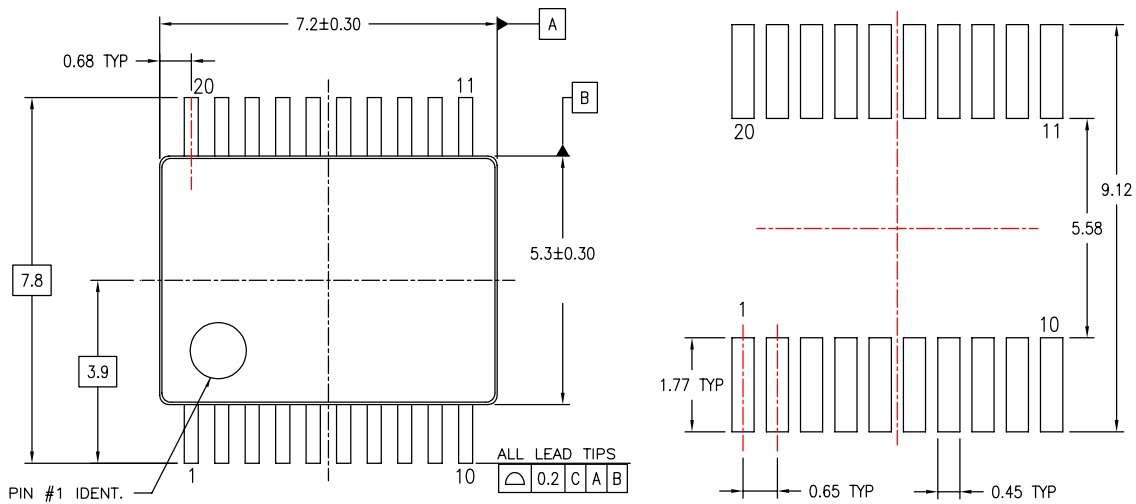
Figure 9. 20-Lead Small Outline Package (SOP), EIAJ TYPE II, 5.3mm Wide

Package drawings are provided as a service to customers considering Fairchild components. Drawings may change in any manner without notice. Please note the revision and/or date on the drawing and contact a Fairchild Semiconductor representative to verify or obtain the most recent revision. Package specifications do not expand the terms of Fairchild's worldwide terms and conditions, specifically the warranty therein, which covers Fairchild products.

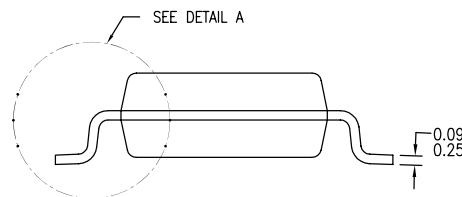
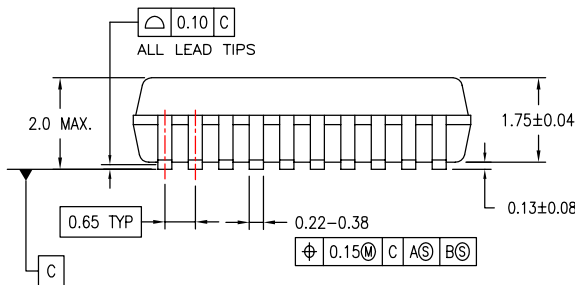
Always visit Fairchild Semiconductor's online packaging area for the most recent package drawings:

<http://www.fairchildsemi.com/packaging/>

**Physical Dimensions (Continued)**



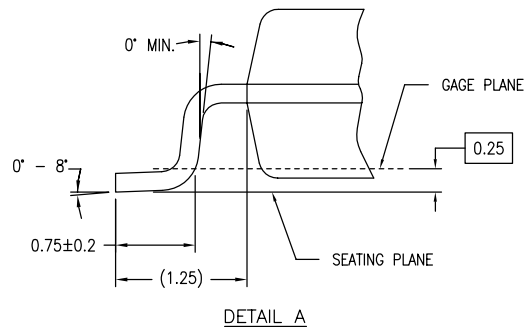
LAND PATTERN RECOMMENDATIONS



DIMENSIONS ARE IN MILLIMETERS

NOTES:

- A. CONFORMS TO JEDEC REGISTRATION MO-150, VARIATION AE, DATE 1/94.
- B. DIMENSIONS ARE IN MILLIMETERS.
- C. DIMENSIONS ARE EXCLUSIVE OF BURRS, MOLD FLASH, AND TIE BAR EXTRUSIONS.
- D. DIMENSIONS AND TOLERANCES PER ASME Y14.5M - 1994.



MSA20REVB

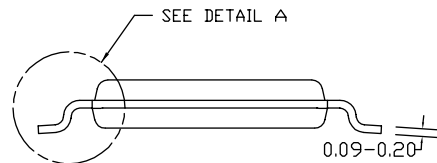
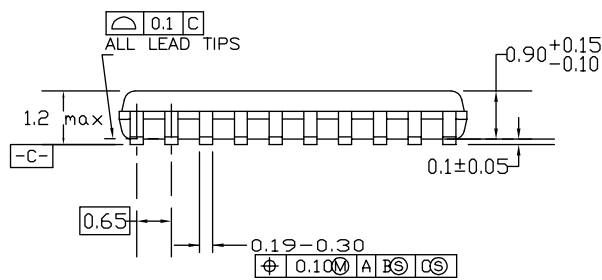
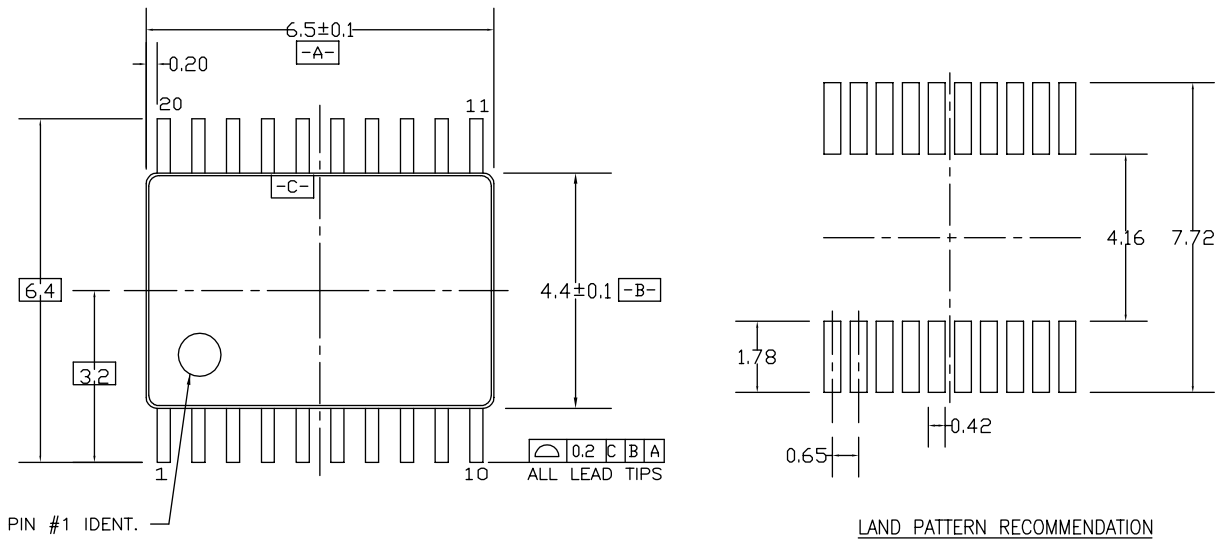
**Figure 10. 20-Lead Shrink Small Outline Package (SSOP), JEDEC MO-150, 5.3mm Wide**

Package drawings are provided as a service to customers considering Fairchild components. Drawings may change in any manner without notice. Please note the revision and/or date on the drawing and contact a Fairchild Semiconductor representative to verify or obtain the most recent revision. Package specifications do not expand the terms of Fairchild's worldwide terms and conditions, specifically the warranty therein, which covers Fairchild products.

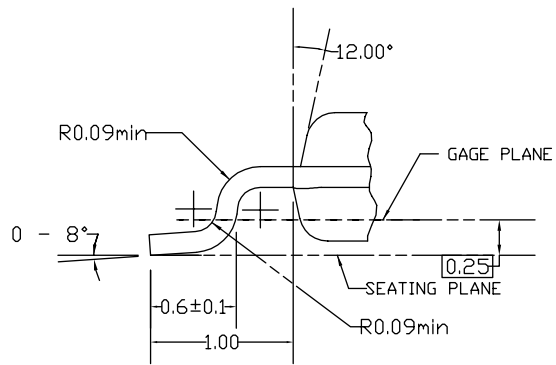
Always visit Fairchild Semiconductor's online packaging area for the most recent package drawings:

<http://www.fairchildsemi.com/packaging/>

Physical Dimensions (Continued)



DIMENSIONS ARE IN MILLIMETERS



DETAIL A

NOTES:

- A. CONFORMS TO JEDEC REGISTRATION MO-153, VARIATION AC, REF NOTE 6, DATE 7/93.
- B. DIMENSIONS ARE IN MILLIMETERS.
- C. DIMENSIONS ARE EXCLUSIVE OF BURRS, MOLDS FLASH, AND TIE BAR EXTRUSIONS.
- D. DIMENSIONS AND TOLERANCES PER ANSI Y14.5M, 1982.

MTC20REV D1

Figure 11. 20-Lead Thin Shrink Small Outline Package (TSSOP), JEDEC MO-153, 4.4mm Wide

Package drawings are provided as a service to customers considering Fairchild components. Drawings may change in any manner without notice. Please note the revision and/or date on the drawing and contact a Fairchild Semiconductor representative to verify or obtain the most recent revision. Package specifications do not expand the terms of Fairchild's worldwide terms and conditions, specifically the warranty therein, which covers Fairchild products.



Always visit Fairchild Semiconductor's online packaging area for the most recent package drawings:

<http://www.fairchildsemi.com/packaging/>



**TRADEMARKS**

The following includes registered and unregistered trademarks and service marks, owned by Fairchild Semiconductor and/or its global subsidiaries, and is not intended to be an exhaustive list of all such trademarks.

- |   |  |  |                                  |
|---|--|--|----------------------------------|
| ACEx <sup>®</sup>   | FPST <sup>™</sup>                            | PDP-SPM <sup>™</sup>                   | SyncFET <sup>™</sup>             |
| Build it Now <sup>™</sup>   | FRFET <sup>®</sup>                           | Power220 <sup>®</sup>                  | SYSTEM <sup>®</sup>              |
| CorePLUS <sup>™</sup>   | Global Power Resource <sup>SM</sup>          | Power247 <sup>®</sup>                  | GENERAL <sup>®</sup>             |
| CROSSVOLT <sup>™</sup>  | Green FPS <sup>™</sup>                       | POWEREDGE <sup>®</sup>                 | The Power Franchise <sup>®</sup> |
| CTL <sup>™</sup>  | Green FPS <sup>™</sup> e-Series <sup>™</sup> | Power-SPM <sup>™</sup>                 | the power <sup>™</sup>           |
| Current Transfer Logic <sup>™</sup>   | GTO <sup>™</sup>                             | PowerTrench <sup>®</sup>               | franchise                        |
| EcoSPARK <sup>®</sup>   | i-Lo <sup>™</sup>                            | Programmable Active Droop <sup>™</sup> | TinyBoost <sup>™</sup>           |
| EZSWITCH <sup>™</sup> *   | IntelliMAX <sup>™</sup>                      | QFET <sup>®</sup>                      | TinyBuck <sup>™</sup>            |
|  ™ | ISOPLANAR <sup>™</sup>                       | QST <sup>™</sup>                       | TinyLogic <sup>®</sup>           |
|  ™ | MegaBuck <sup>™</sup>                        | QT Optoelectronics <sup>™</sup>        | TINYOPTO <sup>™</sup>            |
| Fairchild <sup>®</sup>  | MICROCOUPLER <sup>™</sup>                    | Quiet Series <sup>™</sup>              | TinyPower <sup>™</sup>           |
| Fairchild Semiconductor <sup>®</sup>  | MicroFET <sup>™</sup>                        | RapidConfigure <sup>™</sup>            | TinyPWM <sup>™</sup>             |
| FACT Quiet Series <sup>™</sup>  | MicroPak <sup>™</sup>                        | SMART START <sup>™</sup>               | TinyWire <sup>™</sup>            |
| FACT <sup>®</sup>   | MillerDrive <sup>™</sup>                     | SPM <sup>®</sup>                       | μSerDes <sup>™</sup>             |
| FAST <sup>®</sup>   | Motion-SPM <sup>™</sup>                      | STEALTH <sup>™</sup>                   | UHC <sup>®</sup>                 |
| FastvCore <sup>™</sup>  | OPTOLOGIC <sup>®</sup>                       | SuperFET <sup>™</sup>                  | Ultra FRFET <sup>™</sup>         |
| FlashWriter <sup>®</sup> *  | OPTOPLANAR <sup>®</sup>                      | SuperSOT <sup>™</sup> -3               | UniFET <sup>™</sup>              |
|   |  | SuperSOT <sup>™</sup> -6               | VCX <sup>™</sup>                 |
|   |  | SuperSOT <sup>™</sup> -8               |                                  |

\* EZSWITCH<sup>™</sup> and FlashWriter<sup>®</sup> are trademarks of System General Corporation, used under license by Fairchild Semiconductor.

**DISCLAIMER**

FAIRCHILD SEMICONDUCTOR RESERVES THE RIGHT TO MAKE CHANGES WITHOUT FURTHER NOTICE TO ANY PRODUCTS HEREIN TO IMPROVE RELIABILITY, FUNCTION, OR DESIGN. FAIRCHILD DOES NOT ASSUME ANY LIABILITY ARISING OUT OF THE APPLICATION OR USE OF ANY PRODUCT OR CIRCUIT DESCRIBED HEREIN; NEITHER DOES IT CONVEY ANY LICENSE UNDER ITS PATENT RIGHTS, NOR THE RIGHTS OF OTHERS. THESE SPECIFICATIONS DO NOT EXPAND THE TERMS OF FAIRCHILD'S WORLDWIDE TERMS AND CONDITIONS, SPECIFICALLY THE WARRANTY THEREIN, WHICH COVERS THESE PRODUCTS.

**LIFE SUPPORT POLICY**

FAIRCHILD'S PRODUCTS ARE NOT AUTHORIZED FOR USE AS CRITICAL COMPONENTS IN LIFE SUPPORT DEVICES OR SYSTEMS WITHOUT THE EXPRESS WRITTEN APPROVAL OF FAIRCHILD SEMICONDUCTOR CORPORATION.

As used herein:

1. Life support devices or systems are devices or systems which, (a) are intended for surgical implant into the body or (b) support or sustain life, and (c) whose failure to perform when properly used in accordance with instructions for use provided in the labeling, can be reasonably expected to result in a significant injury of the user.
2. A critical component in any component of a life support, device, or system whose failure to perform can be reasonably expected to cause the failure of the life support device or system, or to affect its safety or effectiveness.

**PRODUCT STATUS DEFINITIONS**

**Definition of Terms**

| Datasheet Identification | Product Status         | Definition   |
|--------------------------|------------------------|--|
| Advance Information      | Formative or In Design | This datasheet contains the design specifications for product development. Specifications may change in any manner without notice.   |
| Preliminary              | First Production       | This datasheet contains preliminary data; supplementary data will be published at a later date. Fairchild Semiconductor reserves the right to make changes at any time without notice to improve design. |
| No Identification Needed | Full Production        | This datasheet contains final specifications. Fairchild Semiconductor reserves the right to make changes at any time without notice to improve the design.   |
| Obsolete                 | Not In Production      | This datasheet contains specifications on a product that has been discontinued by Fairchild Semiconductor. The datasheet is printed for reference information only.                                      |

Rev. I32

## Looking for pricing, stock, or lifecycle information?

Click below to explore more details on WIN SOURCE:

- ⊖ [View 74ABT374CMTC on WIN SOURCE](#)
- ⊖ [Fairchild/ON Semiconductor Information](#)

## Optimize Your Supply Chain with WIN SOURCE Solutions

- ✓ Global Sourcing Solution
- ✓ Obsolete Management
- ✓ Cost Control Management
- ✓ Shortage Management
- ✓ Alternative Solution
- ✓ Excess Inventory Management