



**THE DATASHEET OF  
MP3V5050GC6T1**





# MP3V5050, 0 to 50 kPa, Differential, and Gauge Pressure Sensor

The MP3V5050 series piezoresistive transducer is a state-of-the-art, monolithic silicon, pressure sensor designed for a wide range of applications, but particularly those employing a microcontroller or microprocessor with A/D inputs. This patented, single element transducer combines advanced micromachining techniques, thin-film metallization, and bipolar processing to provide an accurate, high level analog output signal that is proportional to the applied pressure.

## Features

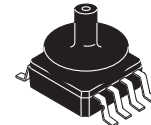
- 2.5% maximum error over 0 °C to 85 °C
- Ideally suited for microprocessor or microcontroller-based systems
- Temperature compensated over -40 °C to +125 °C
- Patented silicon shear stress strain gauge
- Thermoplastic (PPS) surface mount package
- Multiple porting options for design flexibility
- Barbed side ports for robust tube connection

## Application examples

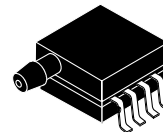
- Pump/motor control
- Robotics
- Level detectors
- Medical diagnostics
- Pressure switching
- Blood pressure measurement

## MP3V5050

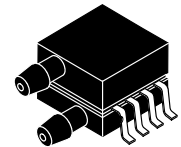
### Small outline package



MP3V5050GC6U/6T1  
Case 98ASB17757C

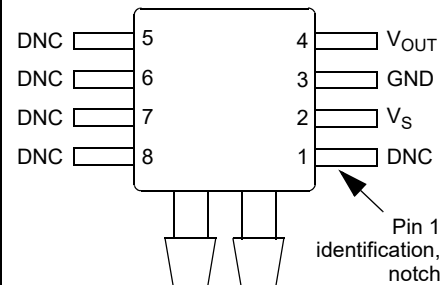


MP3V5050GP  
Case 98ASA99303D



MP3V5050DP  
Case 98ASA99255D

### Top view



### Pinout

| Ordering information |          |             |            |        |      |               |              |          |                |
|----------------------|----------|-------------|------------|--------|------|---------------|--------------|----------|----------------|
| Part number          | Shipping | Package     | # of Ports |        |      | Pressure Type |              |          | Device marking |
|                      |          |             | None       | Single | Dual | Gauge         | Differential | Absolute |                |
| MP3V5050DP           | Tray     | 98ASA99255D |            |        | •    |               | •            |          | MP3V5050DP     |
| MP3V5050GP           | Tray     | 98ASA99303D |            | •      |      | •             |              |          | MP3V5050GP     |
| MP3V5050GC6U         | Rail     | 98ASB17757C |            | •      |      | •             |              |          | MP3V5050G      |
| MP3V5050GC6T1        | Reel     | 98ASB17757C |            | •      |      | •             |              |          | MP3V5050G      |

NXP reserves the right to change the detail specifications as may be required to permit improvements in the design of its products.

© 2008, 2009, 2015, 2017, 2018 NXP B.V. All rights reserved.



# Contents

|          |   |           |
|----------|---|-----------|
| <b>1</b> | <b>General Description</b> .....  | <b>3</b>  |
| 1.1      | Block diagram .....   | 3         |
| 1.2      | Pinout .....  | 3         |
| <b>2</b> | <b>Mechanical and Electrical Specifications</b> .....                   | <b>4</b>  |
| 2.1      | Maximum ratings .....   | 4         |
| 2.2      | Operating characteristics .....   | 4         |
| <b>3</b> | <b>On-chip Temperature Compensation and Calibration</b> .....           | <b>5</b>  |
| <b>4</b> | <b>Package Information</b> .....  | <b>7</b>  |
| 4.1      | Pressure source 1 (P1)/Pressure source 2 (P2) side identification ..... | 7         |
| 4.2      | Minimum recommended footprint for surface mounted applications .....    | 7         |
| 4.3      | Package dimensions .....  | 8         |
| <b>5</b> | <b>Revision History</b> .....   | <b>14</b> |

## Related Documentation

The MP3V5050 device features and operations are described in a variety of reference manuals, user guides, and application notes. To find the most-current versions of these documents:

1. Go to the MP3V5050 product page at <http://www.nxp.com/MP3V5050>
2. Click on the Documentation tab.

# 1 General Description

## 1.1 Block diagram

Figure 1 shows a block diagram of the internal circuitry integrated on a pressure sensor chip.

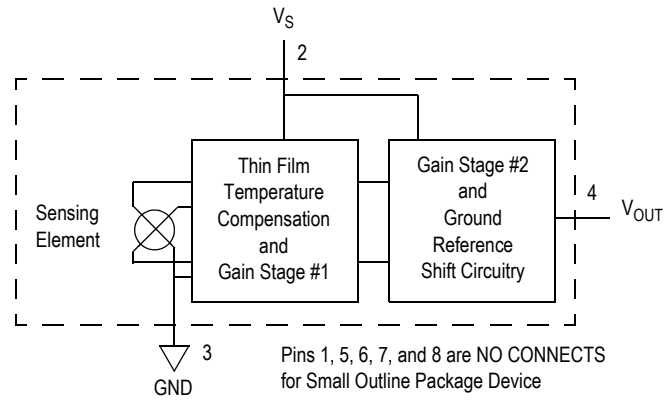


Figure 1. Fully integrated pressure sensor block diagram

## 1.2 Pinout

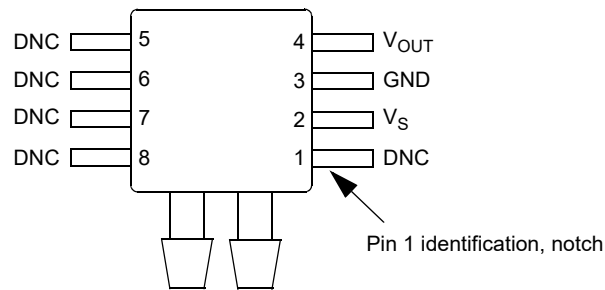


Figure 2. Device pinout (top view)

Table 1. Pin functions

| Pin | Name      | Function   |
|-----|-----------|--|
| 1   | DNC       | Do not connect to external circuitry or ground. Pin 1 is denoted by notch. |
| 2   | $V_S$     | Voltage supply   |
| 3   | GND       | Ground   |
| 4   | $V_{OUT}$ | Output voltage   |
| 5   | DNC       | Do not connect to external circuitry or ground.                            |
| 6   | DNC       | Do not connect to external circuitry or ground.                            |
| 7   | DNC       | Do not connect to external circuitry or ground.                            |
| 8   | DNC       | Do not connect to external circuitry or ground.                            |

## 2 Mechanical and Electrical Specifications

### 2.1 Maximum ratings

**Table 2. Maximum ratings<sup>(1)</sup>**

| Rating                     | Symbol           | Value       | Unit |
|----------------------------|------------------|-------------|------|
| Maximum pressure (P1 > P2) | P <sub>max</sub> | 200         | kPa  |
| Storage temperature        | T <sub>stg</sub> | -40 to +125 | °C   |
| Operating temperature      | T <sub>A</sub>   | -40 to +125 | °C   |

1.Exposure beyond the specified limits may cause permanent damage or degradation to the device.

### 2.2 Operating characteristics

**Table 3. Operating characteristics** (V<sub>S</sub> = 3.0 V<sub>DC</sub>, T<sub>A</sub> = 25 °C unless otherwise noted, P1 > P2. Decoupling circuit shown in Figure 5 required to meet electrical specifications.)

| Characteristic   | Symbol           | Min   | Typ  | Max   | Unit              |
|--|------------------|-------|------|-------|-------------------|
| Pressure range <sup>(1)</sup>  | P <sub>OP</sub>  | 0     | —    | 50    | kPa               |
| Supply voltage <sup>(2)</sup>  | V <sub>S</sub>   | 2.7   | 3.0  | 3.3   | V <sub>DC</sub>   |
| Supply current   | I <sub>O</sub>   | —     | 7.0  | 10    | mAdc              |
| Minimum pressure offset <sup>(3)</sup> (0 °C to 85 °C)<br>@ V <sub>S</sub> = 3.0 Volts | V <sub>OFF</sub> | 0.053 | 0.12 | 0.188 | V <sub>DC</sub>   |
| Full-scale output <sup>(4)</sup> (0 °C to 85 °C)<br>@ V <sub>S</sub> = 3.0 Volts       | V <sub>FSS</sub> | 2.752 | 2.8  | 2.888 | V <sub>DC</sub>   |
| Full-scale span <sup>(5)</sup> (0 °C to 85 °C)<br>@ V <sub>S</sub> = 3.0 Volts         | V <sub>FSS</sub> | —     | 2.7  | —     | V <sub>DC</sub>   |
| Accuracy <sup>(6)</sup> (0 °C to 85 °C)  | —                | —     | —    | ±2.5  | %V <sub>FSS</sub> |
| Sensitivity  | V/P              | —     | 54   | —     | mV/kPa            |
| Response time <sup>(7)</sup>   | t <sub>R</sub>   | —     | 1.0  | —     | ms                |
| Output source current at full-scale output   | I <sub>O+</sub>  | —     | 0.1  | —     | mAdc              |
| Warm-up time <sup>(8)</sup>  | —                | —     | 20   | —     | ms                |
| Offset stability <sup>(9)</sup>  | —                | —     | ±0.5 | —     | %V <sub>FSS</sub> |

1. 1.0 kPa (kilopascal) equals 0.145 psi.

2.Device is ratiometric within this specified excitation range.

3.Offset (V<sub>off</sub>) is defined as the output voltage at the minimum rated pressure.

4.Full-scale Output (V<sub>FSS</sub>) is defined as the output voltage at the maximum or full-rated pressure.

5.Full-scale Span (V<sub>FSS</sub>) is defined as the algebraic difference between the output voltage at full-rated pressure and the output voltage at the minimum rated pressure.

6.Accuracy (error budget) consists of the following:

Linearity: Output deviation from a straight line relationship with pressure over the specified pressure range.

Temperature Hysteresis: Output deviation at any temperature within the operating temperature range, after the temperature is cycled to and from the minimum or maximum operating temperature points, with zero differential pressure applied.

Pressure Hysteresis: Output deviation at any pressure within the specified range, when this pressure is cycled to and from the minimum or maximum rated pressure at 25 °C.

TcSpan: Output deviation over the temperature range of 0 °C to 85 °C, relative to 25 °C.

TcOffset: Output deviation with minimum pressure applied, over the temperature range of 0 °C to 85 °C, relative to 25 °C.

Variation from nominal: The variation from nominal values, for offset or full-scale span, as a percent of V<sub>FSS</sub> at 25 °C.

7.Response time is defined as the time for the incremental change in the output to go from 10% to 90% of its final value when subjected to a specified step change in pressure.

8.Warm-up time is defined as the time required for the product to meet the specified output voltage after the pressure has been stabilized.

9.Offset stability is the product's output deviation when subjected to 1000 hours of pulsed pressure, temperature cycling with bias test.

### 3 On-chip Temperature Compensation and Calibration

The MP3V5050 series pressure sensor operating characteristics, and internal reliability and qualification tests are based on use of dry air as the pressure media. Media, other than dry air, may have adverse effects on sensor performance and long-term reliability. Contact the factory for information regarding media compatibility in your application.

Figure 3 shows the sensor output signal relative to pressure input. Typical, minimum, and maximum output curves are shown for operation over a temperature range of 0 °C to 85 °C using the decoupling circuit shown in Figure 5. The output will saturate outside of the specified pressure range.

Figure 4 illustrates the Differential/Gauge Sensing Chip in the basic chip carrier (case 98ASB17757C). A fluorosilicone gel isolates the die surface and wire bonds from the environment, while allowing the pressure signal to be transmitted to the sensor diaphragm.

Figure 5 shows the recommended decoupling circuit for interfacing the output of the integrated sensor to the A/D input of a microprocessor or microcontroller. Proper decoupling of the power supply is recommended.

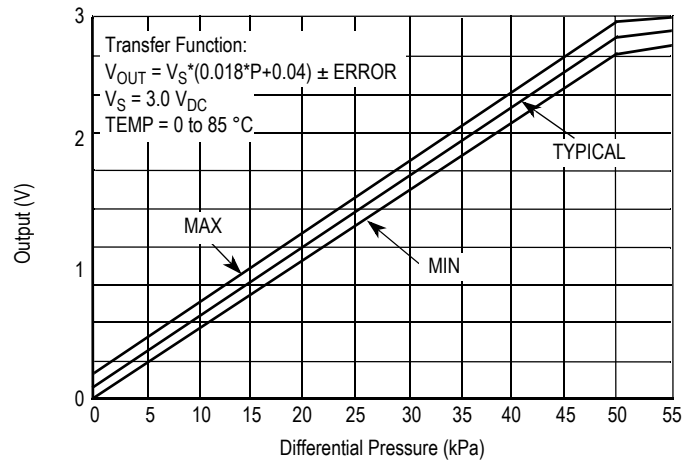


Figure 3. Output versus Pressure differential

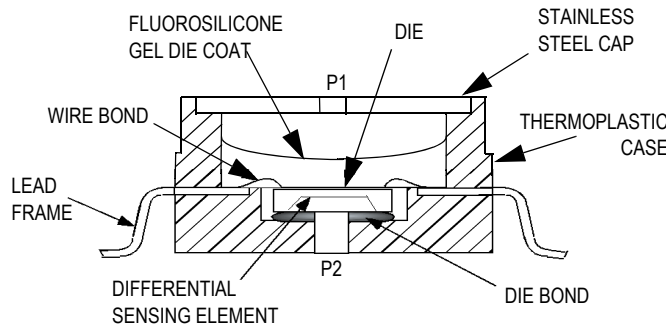


Figure 4. Cross-sectional diagram SOP (not to scale)

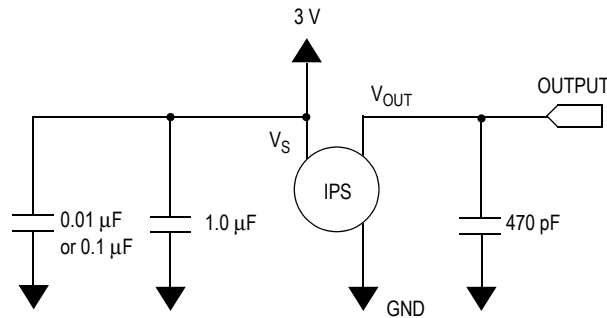
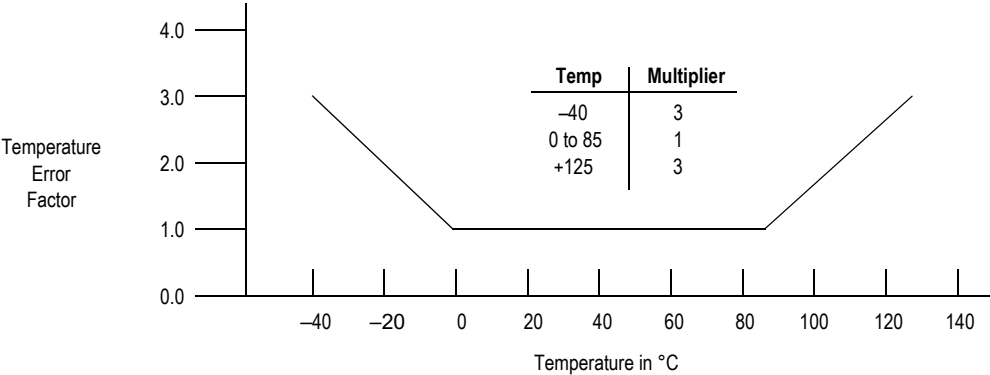


Figure 5. Recommended power supply decoupling and output filtering  
 (For additional output filtering, please refer to Application Note AN1646)

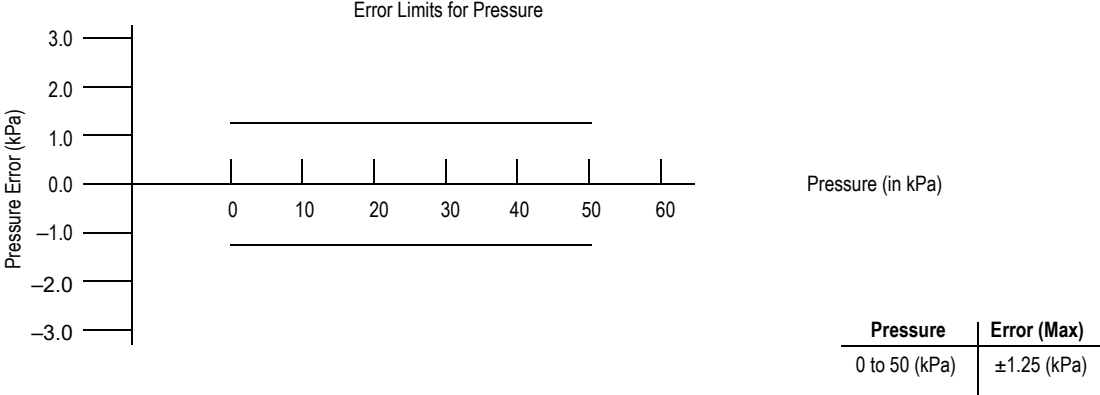
**Nominal Transfer Value:**  $V_{OUT} = V_S (P \times 0.018 + 0.04)$   
 $\pm (\text{Pressure Error} \times \text{Temp. Factor} \times 0.018 \times V_S)$   
 $V_S = 3.0 \text{ V} \pm 0.30 \text{ V}_{DC}$

**Figure 6. Transfer function**



NOTE: The Temperature Multiplier is a linear response from 0 °C to -40 °C and from 85 °C to 125 °C.

**Figure 7. Temperature error band**



**Figure 8. Pressure error band**

## 4 Package Information

### 4.1 Pressure source 1 (P1)/Pressure source 2 (P2) side identification

NXP Semiconductors designates the two sides of the pressure sensor as the Pressure source 1 (P1) side and Pressure source 2 (P2) side. The Pressure (P1) side is the side containing fluorosilicone gel which protects the die from harsh media. The MP3V pressure sensor is designed to operate with positive differential pressure applied,  $P1 > P2$ .

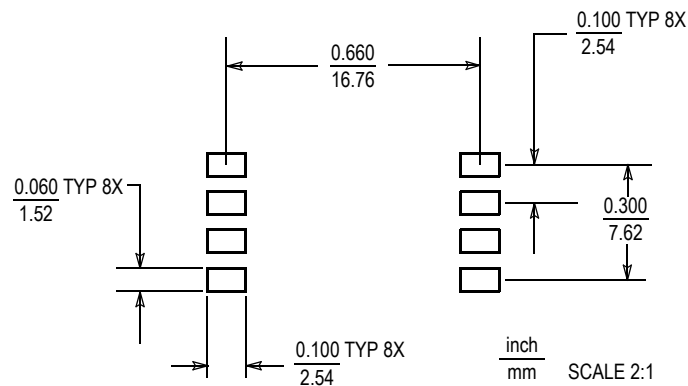
The Pressure (P1) side may be identified by using the table below:

**Table 4. Pressure source 1 (P1)/Pressure source 2 (P2) side identification table**

| Part number     | Case number | Pressure (P1) side identifier                           |
|-----------------|-------------|---|
| MP3V5050GP      | 98ASA99303D | Side with port attached                                 |
| MP3V5050DP      | 98ASA99255D | P1 is identified as the top-side port, above the leads. |
| MP3V5050GC6U/T1 | 98ASB17757C | Vertical port attached                                  |

### 4.2 Minimum recommended footprint for surface mounted applications

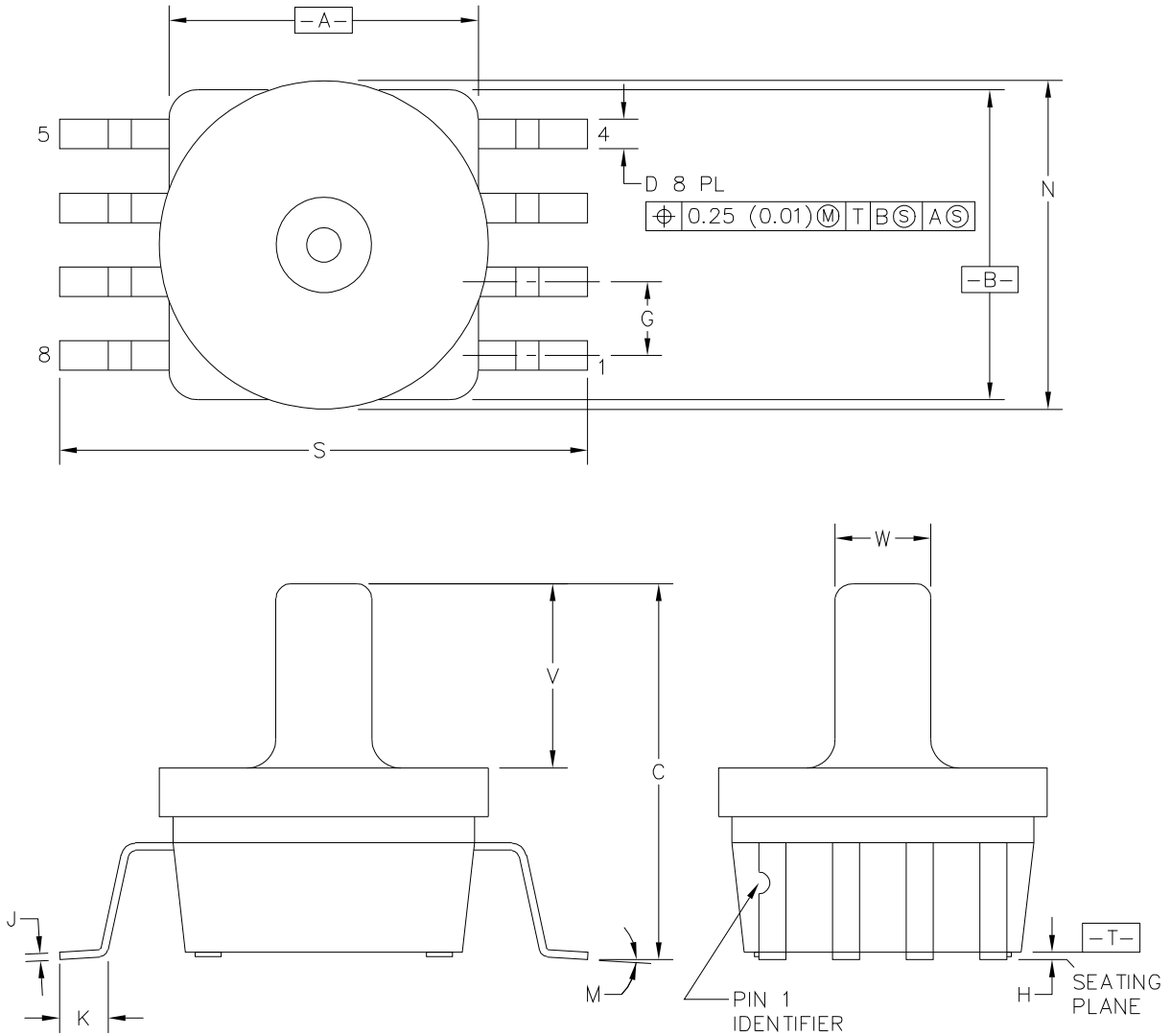
Surface mount board layout is a critical portion of the total design. The footprint for the surface mount packages must be the correct size to ensure proper solder connection interface between the board and the package. With the correct footprint, the packages will self align when subjected to a solder reflow process. It is always recommended to design boards with a solder mask layer to avoid bridging and shorting between solder pads.



**Figure 9. SOP footprint (case 98ASB17757C)**

### 4.3 Package dimensions

This drawing is located at [http://cache.nxp.com/files/shared/doc/package\\_info/98ASB17757C.pdf](http://cache.nxp.com/files/shared/doc/package_info/98ASB17757C.pdf).



|  |                           |                            |
|--|---------------------------|----------------------------|
| © NXP SEMICONDUCTORS N.V.<br>ALL RIGHTS RESERVED                           | <b>MECHANICAL OUTLINE</b> | PRINT VERSION NOT TO SCALE |
| TITLE: SENSOR UNIBODY,<br>11.33 X 11.33 X 12.955 PKG,<br>2.54 PITCH, 8 I/O | DOCUMENT NO: 98ASB17757C  | REV: C                     |
|  | STANDARD: NON-JEDEC       |                            |
|  | SOT1854-1                 | 13 JUL 2017                |

PAGE 1 OF 2

#### Case 98ASB17757C, small outline package

MP3V5050



NOTES:

1. DIMENSIONING AND TOLERANCING PER ANSI Y14.5M-1982.
2. CONTROLLING DIMENSION: INCH.
3. DIMENSION 'A' AND 'B' DO NOT INCLUDE MOLD PROTUSION.
4. MAXIMUM MOLD PROTRUSION 0.15 (0.006).
5. ALL VERTICAL SURFACES 5° TYPICAL DRAFT.

| DIM  | INCHES |       | MILLIMETERS              |       |                            |  |
|--|--------|-------|--------------------------|-------|----------------------------|--|
|  | MIN    | MAX   | MIN                      | MAX   |                            |  |
| A  | 0.415  | 0.425 | 10.54                    | 10.79 |                            |  |
| B  | 0.415  | 0.425 | 10.54                    | 10.79 |                            |  |
| C  | 0.500  | 0.520 | 12.70                    | 13.21 |                            |  |
| D  | 0.038  | 0.042 | 0.96                     | 1.07  |                            |  |
| G  | 0.100  | BSC   | 2.54                     | BSC   |                            |  |
| H  | 0.002  | 0.010 | 0.05                     | 0.25  |                            |  |
| J  | 0.009  | 0.011 | 0.23                     | 0.28  |                            |  |
| K  | 0.061  | 0.071 | 1.55                     | 1.80  |                            |  |
| M  | 0°     | 7°    | 0°                       | 7°    |                            |  |
| N  | 0.444  | 0.448 | 11.28                    | 11.38 |                            |  |
| S  | 0.709  | 0.725 | 18.01                    | 18.41 |                            |  |
| V  | 0.245  | 0.255 | 6.22                     | 6.48  |                            |  |
| W  | 0.115  | 0.125 | 2.92                     | 3.17  |                            |  |
| © NXP SEMICONDUCTORS N.V.<br>ALL RIGHTS RESERVED                           |        |       | MECHANICAL OUTLINE       |       | PRINT VERSION NOT TO SCALE |  |
| TITLE: SENSOR UNIBODY,<br>11.33 X 11.33 X 12.955 PKG,<br>2.54 PITCH, 8 I/O |        |       | DOCUMENT NO: 98ASB17757C |       | REV: C                     |  |
|  |        |       | STANDARD: NON-JEDEC      |       |                            |  |
|  |        |       | SOT1854-1                |       | 13 JUL 2017                |  |

PAGE 2 OF 2

**Case 98ASB17757C, small outline package**

**MP3V5050**





NOTES:

1. CONTROLLING DIMENSION: INCH

2. INTERPRET DIMENSIONS AND TOLERANCES PER ASME Y14.5M-1994.

3. DIMENSIONS DO NOT INCLUDE MOLD FLASH OR PROTRUSIONS.  
MOLD FLASH AND PROTRUSIONS SHALL NOT EXCEED .006 PER SIDE.

4. DIMENSION DOES NOT INCLUDE DAMBAR PROTRUSION. ALLOWABLE DAMBAR  
PROTRUSION SHALL BE .008 MAXIMUM.

STYLE 1:

PIN 1: GND  
PIN 2: +Vout  
PIN 3: Vs  
PIN 4: -Vout  
PIN 5: N/C  
PIN 6: N/C  
PIN 7: N/C  
PIN 8: N/C

STYLE 2:

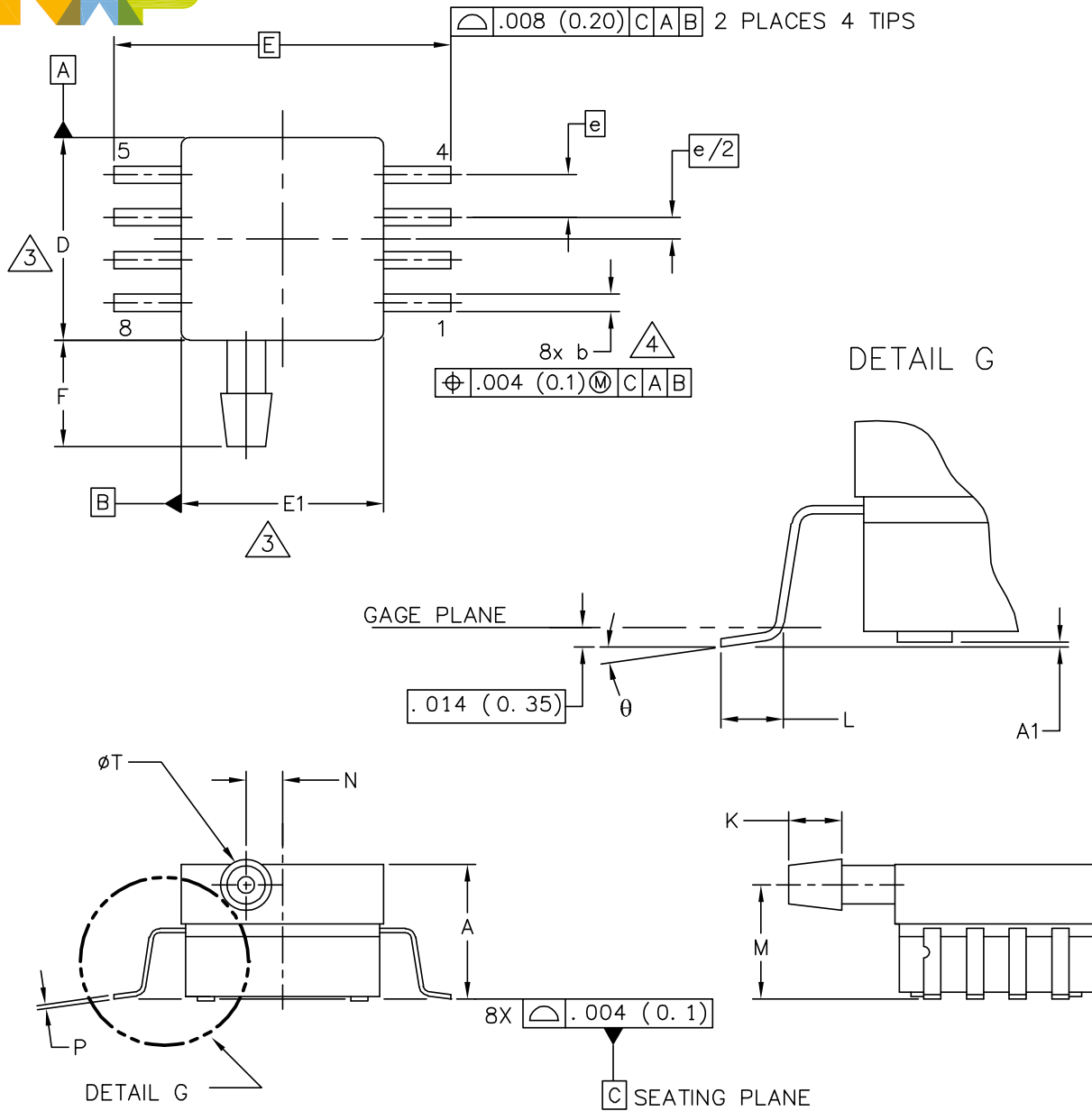
PIN 1: N/C  
PIN 2: Vs  
PIN 3: GND  
PIN 4: Vout  
PIN 5: N/C  
PIN 6: N/C  
PIN 7: N/C  
PIN 8: N/C

|   |  |                            |
|---|--|----------------------------|
| © NXP SEMICONDUCTORS N. V.<br>ALL RIGHTS RESERVED | MECHANICAL OUTLINE   | PRINT VERSION NOT TO SCALE |
| TITLE:<br>8 LD SNSR, DUAL PORT                    | DOCUMENT NO: 98ASA99255D<br>STANDARD: NON-JEDEC<br>SOT1693-1 | REV: B<br>14 MAR 2016      |

PAGE 2 OF 2

**Case 98ASA99255D, small outline package**

**MP3V5050**



|   |                          |                            |
|---|--------------------------|----------------------------|
| © NXP SEMICONDUCTORS N. V.<br>ALL RIGHTS RESERVED | MECHANICAL OUTLINE       | PRINT VERSION NOT TO SCALE |
| TITLE:  | DOCUMENT NO: 98ASA99303D | REV: E                     |
| 8 LD SOP, SIDE PORT                               | STANDARD: NON-JEDEC      |                            |
|   | SOT1693-3                | 14 MAR 2016                |

Case 98ASA99303D, small outline package

MP3V5050



NOTES:

1. CONTROLLING DIMENSION: INCH

2. INTERPRET DIMENSIONS AND TOLERANCES PER ASME Y14.5M-1994.

③ DIMENSIONS DO NOT INCLUDE MOLD FLASH OR PROTRUSIONS.  
MOLD FLASH AND PROTRUSIONS SHALL NOT EXCEED .006 (0.152) PER SIDE.

④ DIMENSION DOES NOT INCLUDE DAMBAR PROTRUSION. ALLOWABLE DAMBAR PROTRUSION SHALL BE .008 (0.203) MAXIMUM.

| DIM | INCHES   |      | MILLIMETERS |       | DIM | INCHES |     | MILLIMETERS |     |
|-----|----------|------|-------------|-------|-----|--------|-----|-------------|-----|
|     | MIN      | MAX  | MIN         | MAX   |     | MIN    | MAX | MIN         | MAX |
| A   | .300     | .330 | 7.62        | 8.38  | θ   | 0°     | 7°  | 0°          | 7°  |
| A1  | .002     | .010 | 0.05        | 0.25  | -   | ---    | --- | ---         | --- |
| b   | .038     | .042 | 0.96        | 1.07  | -   | ---    | --- | ---         | --- |
| D   | .465     | .485 | 11.81       | 12.32 | -   | ---    | --- | ---         | --- |
| E   | .717 BSC |      | 18.21 BSC   |       | -   | ---    | --- | ---         | --- |
| E1  | .465     | .485 | 11.81       | 12.32 | -   | ---    | --- | ---         | --- |
| e   | .100 BSC |      | 2.54 BSC    |       | -   | ---    | --- | ---         | --- |
| F   | .245     | .255 | 6.22        | 6.47  | -   | ---    | --- | ---         | --- |
| K   | .120     | .130 | 3.05        | 3.30  | -   | ---    | --- | ---         | --- |
| L   | .061     | .071 | 1.55        | 1.80  | -   | ---    | --- | ---         | --- |
| M   | .270     | .290 | 6.86        | 7.36  | -   | ---    | --- | ---         | --- |
| N   | .080     | .090 | 2.03        | 2.28  | -   | ---    | --- | ---         | --- |
| P   | .009     | .011 | 0.23        | 0.28  | -   | ---    | --- | ---         | --- |
| T   | .115     | .125 | 2.92        | 3.17  | -   | ---    | --- | ---         | --- |

|   |  |                    |                          |                            |             |  |  |
|---|--|--------------------|--------------------------|----------------------------|-------------|--|--|
| © NXP SEMICONDUCTORS N. V.<br>ALL RIGHTS RESERVED |  | MECHANICAL OUTLINE |                          | PRINT VERSION NOT TO SCALE |             |  |  |
| TITLE:<br><br>8 LD SOP, SIDE PORT                 |  |                    | DOCUMENT NO: 98ASA99303D |                            | REV: E      |  |  |
|   |  |                    | STANDARD: NON-JEDEC      |                            |             |  |  |
|   |  |                    | SOT1693-3                |                            | 14 MAR 2016 |  |  |

**Case 98ASA99303D, small outline package**

## 5 Revision History

Table 5. Revision history

| Revision number | Revision date | Description   |
|-----------------|---------------|---|
| 1.4             | 08/2018       | <ul style="list-style-type: none"><li>• Replaced two occurrences of “,Äi” with “-20” and “-40” on the “Temperature in °C” axis in <a href="#">Figure 7</a>.</li><li>• Replaced three occurrences of “,Äi” with “-1.0”, “-2.0”, and “-3.0” on the “Pressure Error (kPa)” axis in <a href="#">Figure 8</a>.</li><li>• Revised “<math>\pm 1.25</math> (kPa)” to “<math>\pm 1.25</math> (kPa)” for “Error (Max)” in <a href="#">Figure 8</a>.</li></ul> |
| 1.3             | 11/2017       | <ul style="list-style-type: none"><li>• Corrected device marking column for MP3V5050DP and MP3V5050GP in Ordering Information table.</li><li>• Corrected package numbers for devices MP3V5050GP and MP3V5050GC6U/6T1 in Ordering Information table and in illustration block.</li><li>• Updated case 98ASB17757C with current drawing.</li></ul>  |
| 1.2             | 06/2017       | <ul style="list-style-type: none"><li>• Revised the case numbers for MP3V5050GP and MP3V5050GC6U/6T1.</li><li>• Revised the package column of the ordering information table.</li><li>• Updated “Freescale” references to “NXP.”</li></ul>  |
| 1.1             | 09/2015       | <ul style="list-style-type: none"><li>• Updated format.</li><li>• Updated package drawings with current version.</li></ul>  |

**How to Reach Us:**

**Home Page:**

nxp.com

**Web Support:**

nxp.com/support

Information in this document is provided solely to enable system and software implementers to use NXP products. There are no express or implied copyright licenses granted hereunder to design or fabricate any integrated circuits based on the information in this document.

NXP reserves the right to make changes without further notice to any products herein. NXP makes no warranty, representation, or guarantee regarding the suitability of its products for any particular purpose, nor does NXP assume any liability arising out of the application or use of any product or circuit, and specifically disclaims any and all liability, including without limitation consequential or incidental damages. "Typical" parameters that may be provided in NXP data sheets and/or specifications can and do vary in different applications, and actual performance may vary over time. All operating parameters, including "typicals," must be validated for each customer application by customer's technical experts. NXP does not convey any license under its patent rights nor the rights of others. NXP sells products pursuant to standard terms and conditions of sale, which can be found at the following address:

[nxp.com/salestermsandconditions](http://nxp.com/salestermsandconditions).

NXP and Freescale are trademarks of NXP B.V., Reg. U.S. Pat. & Tm. Off. All other product or service names are the property of their respective owners.

© 2008, 2009, 2015, 2017, 2018 NXP B.V. All rights reserved.



## Looking for pricing, stock, or lifecycle information?

Click below to explore more details on WIN SOURCE:

 [View MP3V5050GC6T1 on WIN SOURCE](#)

 [NXP / Nexperia Information](#)

## Optimize Your Supply Chain with WIN SOURCE Solutions

-  Global Sourcing Solution
-  Obsolete Management
-  Cost Control Management
-  Shortage Management
-  Alternative Solution
-  Excess Inventory Management