



**THE DATASHEET OF**  
**AP3970**



**PRIMARY SIDE POWER SWITCHER FOR OFF-LINE SMPS**

**Description**

The AP3968/69/70 consists of a primary side regulation controller and a high voltage transistor, and is specially designed for off-line power supplies within 12W output power. Typical applications include adapter for ADSL and auxiliary supplies.

The AP3968/69/70 operates at pulse frequency modulation (PFM), and provides accurate constant voltage, constant current (CV/CC) regulation without requiring an opto-coupler and secondary control circuitry. It has internal cable compensation function for tight constant voltage regulation.

The AP3968/69/70 solution has fewer component numbers, smaller size, and lower total cost.

The AP3968 is packaged in SO-7. The AP3969 is available in PDIP-7. The AP3970 is available in PDIP-7 and PDIP-8 packages.

**Features**

- Primary Side Control for Eliminating Opto-coupler and Secondary CV/CC Control Circuitry
- Built-in NPN Transistor with 700V<sub>CBO</sub>
- Low Start-up Current: 0.2μA (Typ.)
- Internal Output Cable Voltage Drop Compensation
- Random Frequency Modulation for Low EMI
- Short Circuit Protection
- Low Total Cost Solution
- Output Power Range (Note 1):  
AP3968 for 5W Adapter  
AP3969 for 7.5W Adapter  
AP3970 for 12W Adapter
- **Totally Lead-free & Fully RoHS Compliant (Note 2 & 3)**
- **Halogen and Antimony Free. "Green" Device (Note 4)**

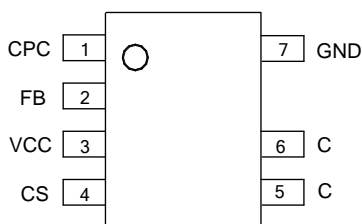
**Applications**

- Chargers
- Adapters
- Set Top Boxes
- Auxiliary Supplies
- DVD
- LED Driver

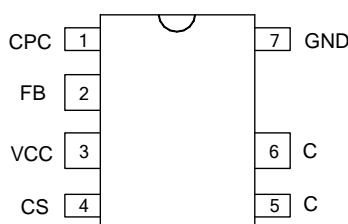
Notes: 1. Typical continuous power in a non-ventilated enclosed adapter measured at +50°C ambient.  
2. No purposely added lead. Fully EU Directive 2002/95/EC (RoHS) & 2011/65/EU (RoHS 2) compliant.  
3. See [http://www.diodes.com/quality/lead\\_free.html](http://www.diodes.com/quality/lead_free.html) for more information about Diodes Incorporated's definitions of Halogen- and Antimony-free, "Green" and Lead-free.  
4. Halogen- and Antimony-free "Green" products are defined as those which contain <900ppm bromine, <900ppm chlorine (<1500ppm total Br + Cl) and <1000ppm antimony compounds.

**Pin Assignments**

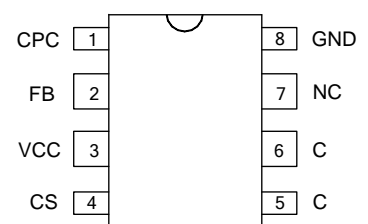
(Top View)



**SO-7 (M Package)  
For AP3968**

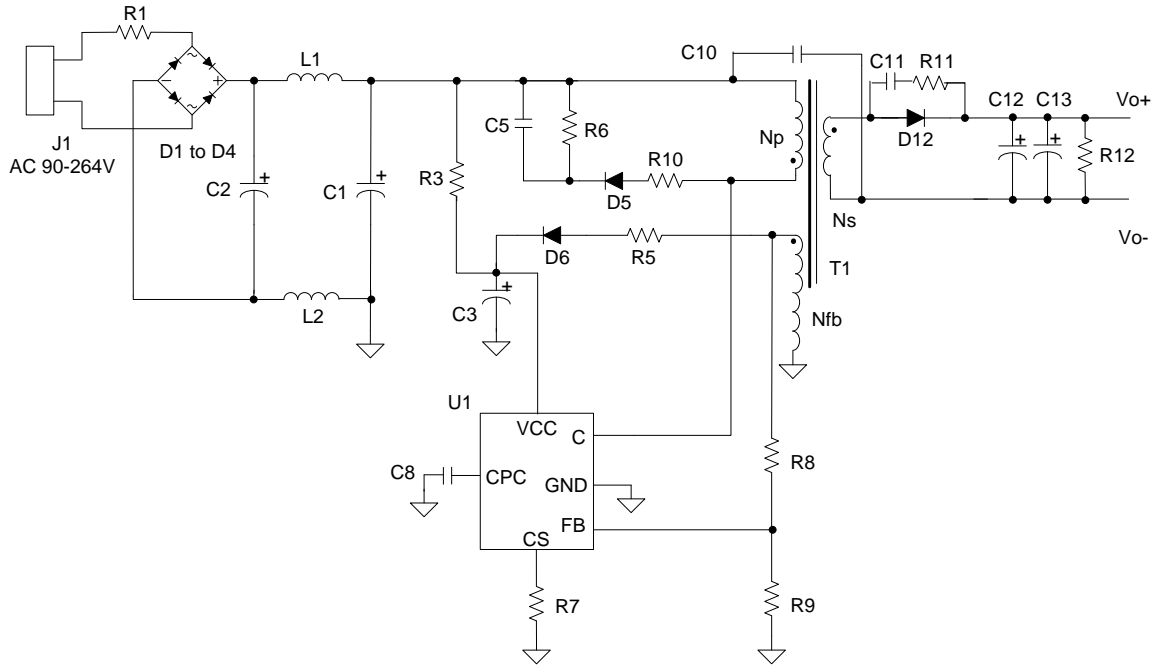


**PDIP-7 (P7 Package)  
For AP3969/70**



**PDIP-8 (P Package)  
For AP3970**

**Typical Applications Circuit**



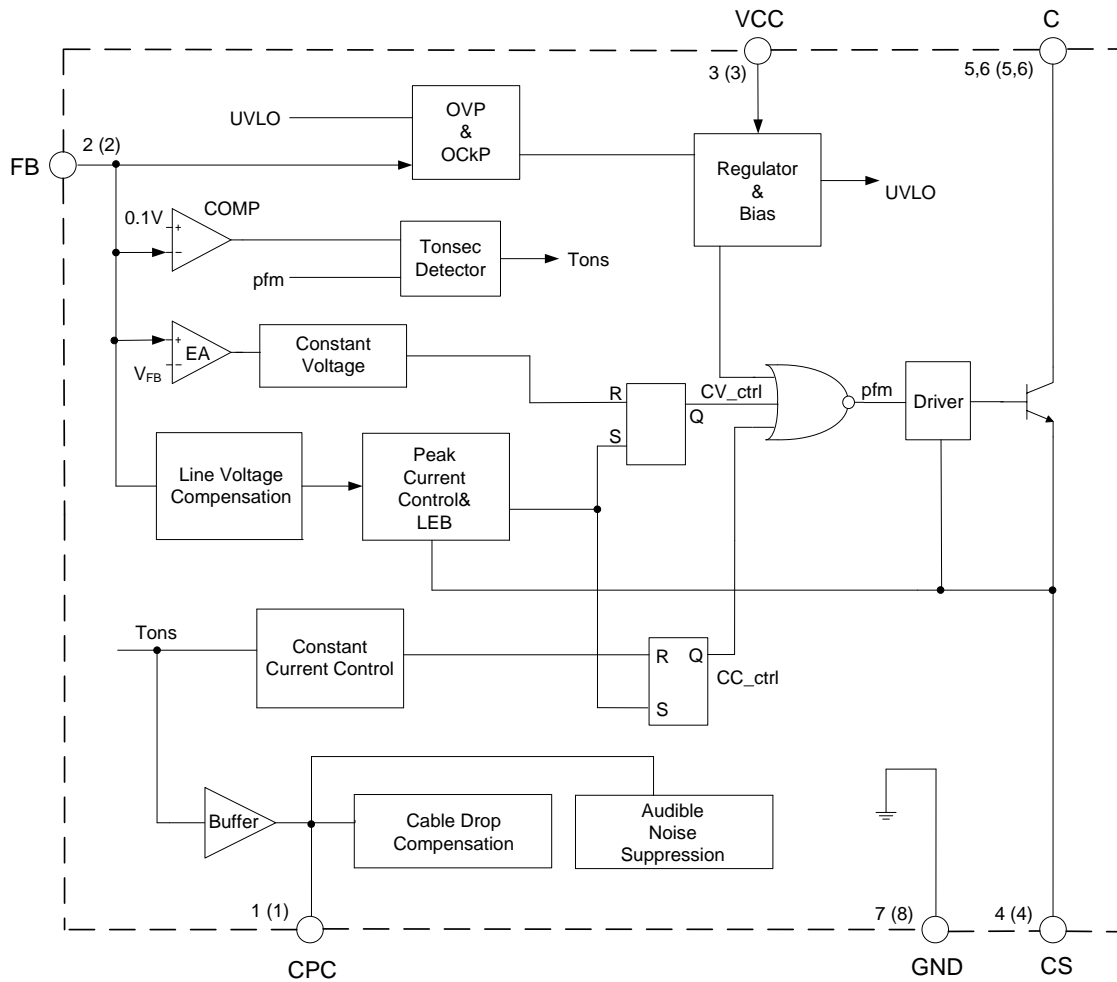
Typical Application of AP3969 (9V/800mA)

Item	Function	QTY	Item	Function	QTY
C1	10.0 $\mu$ F/400V, electrolytic	1	U1	AP3969	1
C2	4.7 $\mu$ F/400V, electrolytic	1	R1	11 $\Omega$ , 2W	1
C3	3.3 $\mu$ F/50V, electrolytic	1	R3	3.3M $\Omega$ /0.25W	1
C5	1nF/1kV, ceramic	1	R5	3.9 $\Omega$ , 0805	1
C8	0.01 $\mu$ F, 0805	1	R6	150k $\Omega$ , 1206	1
C10	1nF/250Vac, Y1 capacitor	1	R7	1 $\Omega$ , 1206	1
C11	1nF, 0805	1	R8	20k $\Omega$ , 0805	1
C12, C13	470 $\mu$ F/16V	2	R9	13k $\Omega$ , 0805	1
D1 to D6	1N4007, rectifier diode	6	R10	360 $\Omega$ , 0805	1
D12	MBR3100	1	R11	27 $\Omega$ , 0805	1
L1	470 $\mu$ H, inductor	1	R12	1.2k $\Omega$ , 0805	1
L2	Bead, 0805	1	T1	EE16 core, PC40, transformer	1

**Pin Descriptions**

Pin Number		Pin Name	Function
SO-7/PDIP-7	PDIP-8		
1	1	CPC	This pin connects a capacitor to GND for output cable compensation
2	2	FB	The voltage feedback from auxiliary winding
3	3	VCC	This pin receives rectified voltage from the auxiliary winding of the transformer
4	4	CS	Current sense for primary side of transformer
5, 6	5, 6	C	This pin is connected with an internal power BJT's collector
-	7	NC	Not connected
7	8	GND	This pin is the signal reference ground

**Functional Block Diagram**



A(B)  
A for SO-7/PDIP-7  
B for PDIP-8

## Absolute Maximum Ratings (Note 5)

Symbol	Parameter	Rating		Unit
V <sub>CC</sub>	Supply Voltage	-0.3 to 22		V
V <sub>FB</sub>	FB Input Voltage	-1 to 10		V
V <sub>CBO</sub>	Collector-emitter Voltage	700		V
–	Collector DC Current	AP3968/69	1.5	A
		AP3970	4	
T <sub>J</sub>	Operating Junction Temperature	+150		°C
T <sub>STG</sub>	Storage Temperature	-65 to +150		°C
T <sub>LEAD</sub>	Lead Temperature (Soldering, 10 sec)	+300		°C
–	ESD (Machine Model)	200		V
–	ESD (Human Body Model)	2000		V
P <sub>D</sub>	Total Power Dissipation	AP3968	0.7	W
		AP3969	0.9	
		AP3970	1.1	

Note 5: Stresses greater than those listed under “Absolute Maximum Ratings” may cause permanent damage to the device. These are stress ratings only, and functional operation of the device at these or any other conditions beyond those indicated under “Recommended Operating Conditions” is not implied. Exposure to “Absolute Maximum Ratings” for extended periods may affect device reliability.

## Recommended Operating Conditions

Symbol	Parameter	Min	Max	Unit
V <sub>CC</sub>	Supply Voltage	–	22	V
T <sub>OP</sub>	Operating Temperature Range	-40	+85	°C
f <sub>(MAX)</sub>	Maximum Operating Frequency	–	60	kHz

## Thermal Impedance

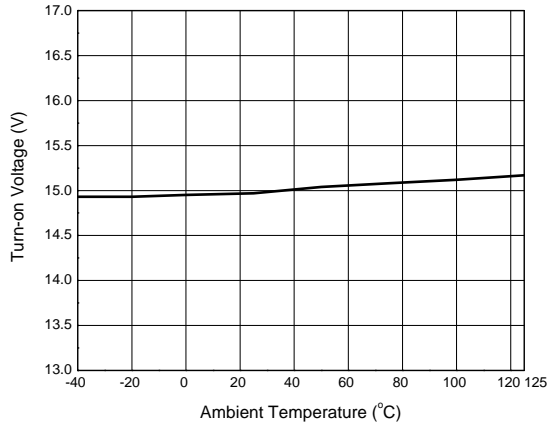
Symbol	Parameter	Value		Unit
θ <sub>JA</sub>	Junction to Ambient	AP3968	100	°C/W
		AP3969	80	
		AP3970	65	
θ <sub>JC</sub>	Junction to Case	AP3968	50	
		AP3969	40	
		AP3970	35	

**Electrical Characteristics** (@ $V_{CC}=15V$ ,  $T_J=+25^{\circ}C$ , unless otherwise specified.)

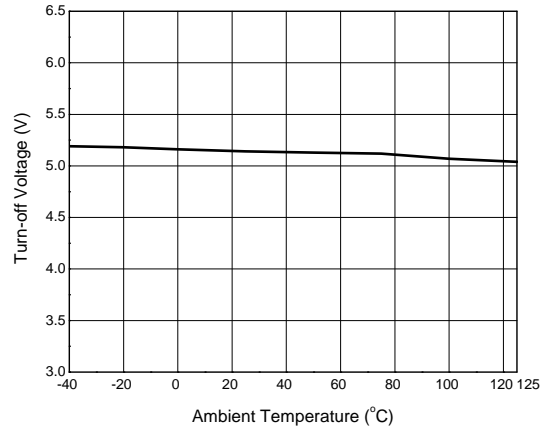
Symbol	Parameters	Conditions	Min	Typ	Max	Unit
<b>UVLO SECTION</b>						
$V_{ON}$	Turn-on Voltage	–	13	15	17	V
$V_{OFF}$	Turn-off Voltage	No drive Current	4.5	5.3	6.3	V
<b>STANDBY CURRENT SECTION</b>						
$I_{ST}$	Start-up Current	$V_{CC}=V_{ON}-0.5V$	–	0.2	0.6	$\mu A$
$I_{CC}$	Operating Current	–	320	435	550	
<b>FEEDBACK INPUT SECTION</b>						
$V_{FB}$	FB Threshold Voltage	–	4.23	4.3	4.37	V
$I_{FB}$	FB Pin Input Current	$V_{FB}=4V$	1.5	3.5	5.5	$\mu A$
<b>POWER TRANSISTOR SECTION</b>						
$V_{CE(SAT)}$	Collector-emitter Saturation Voltage	AP3968/69: $I_C=0.5A$ AP3970: $I_C=1A$	–	–	0.3	V
$h_{FE}$	DC Current Gain	AP3968/69	14	17	–	–
		AP3970	17	26	–	–
$I_{CEO}$	Leakage Current	–	–	–	60	nA
<b>OVER TEMPERATURE PROTECTION</b>						
$T_{SHDN}$	Shutdown Temperature	–	+125	+160	–	$^{\circ}C$
–	Temperature Hysteresis	–	–	+40	–	$^{\circ}C$

**Performance Characteristics**

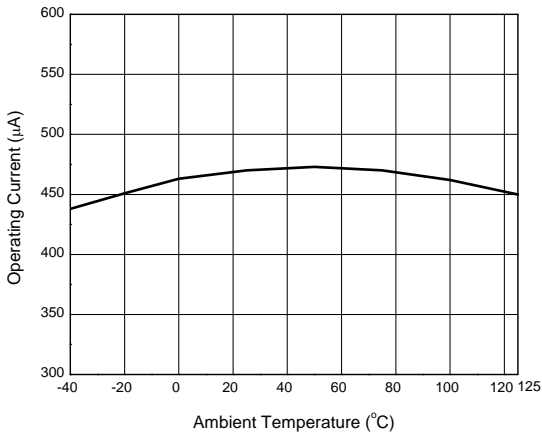
**Turn-on Voltage vs. Ambient Temperature**



**Turn-off Voltage vs. Ambient Temperature**



**Operating Current vs. Ambient Temperature**



**Operation Description**

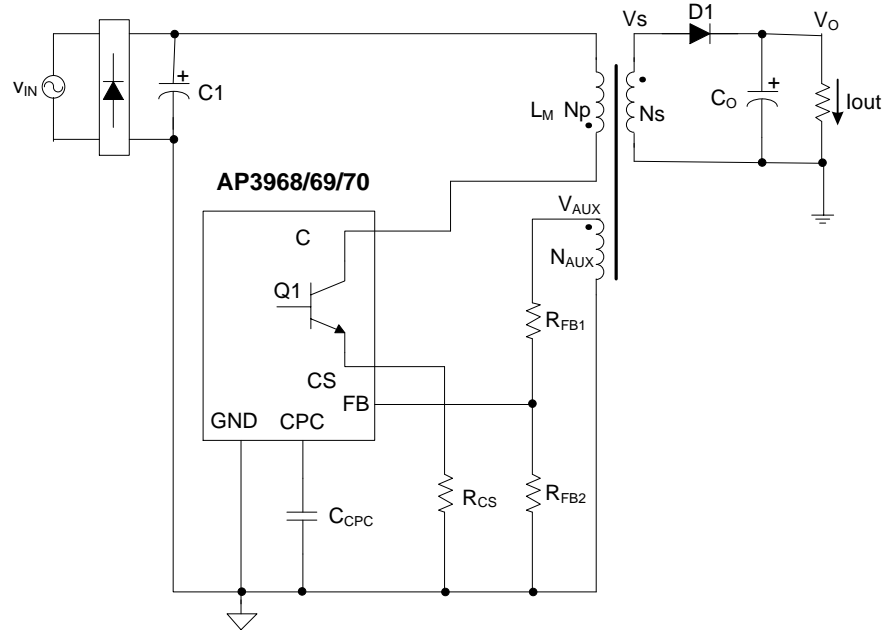


Figure 1. Simplified Flyback Converter Controlled by AP3968/69/70

Figure 1 illustrates a simplified flyback converter controlled by AP3968/69/70.

**Constant Primary Peak Current**

The primary current  $I_p(t)$  is sensed by a current sense resistor  $R_{CS}$  as shown in Figure 1.

The current rises up linearly at a rate of:

$$\frac{di_p(t)}{dt} = \frac{v_g(t)}{L_M} \dots\dots\dots(1)$$

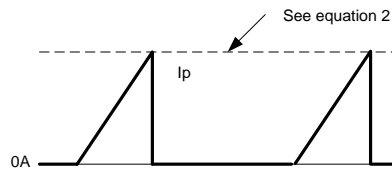


Figure 2. Primary Current Waveform

As illustrated in Figure 2, when the current  $I_p(t)$  rises up to  $I_{pk}$ , the switch Q1 turns off. The constant peak current is given by:

$$I_{pk} = \frac{V_{CS}}{R_{CS}} \dots\dots\dots(2)$$

The energy stored in the magnetizing inductance  $L_M$  each cycle is therefore:

$$E_g = \frac{1}{2} \cdot L_M \cdot I_{pk}^2 \dots\dots\dots(3)$$

So the power transferring from input to output is given by:

$$P = \frac{1}{2} \cdot L_M \cdot I_{pk}^2 \cdot f_{SW} \dots\dots\dots(4)$$

**Operation Description (Cont.)**

Where  $f_{SW}$  is the switching frequency. When the peak current  $I_{pk}$  is constant, the output power depends on the switching frequency  $f_{SW}$ .

**Constant Voltage Operation**

The AP3968/69/70 captures the auxiliary winding feedback voltage at FB pin and operates in constant-voltage (CV) mode to regulate the output voltage. Assuming the secondary winding is master, the auxiliary winding is slave during the D1 on-time. The auxiliary voltage is given by:

$$V_{AUX} = \frac{N_{AUX}}{N_S} \cdot (V_O + V_d) \dots\dots\dots(5)$$

Where  $V_d$  is the diode forward drop voltage,  $N_{AUX}$  is the turns of auxiliary winding, and  $N_S$  is the turns of secondary winding.

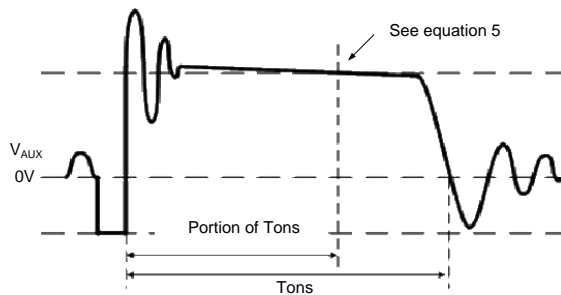


Figure 3. Auxiliary Voltage Waveform

The output voltage is different from the secondary voltage in a diode forward drop voltage  $V_d$  which depends on the current. If the secondary voltage is always detected at a constant secondary current, the difference between the output voltage and the secondary voltage will be a fixed  $V_d$ . The voltage detection point is portion of  $T_{ons}$  after D1 is turned on. The CV loop control function of AP3968/69/70 then generates a D1 off-time to regulate the output voltage.

**Constant Current Operation**

The AP3968/69/70 is designed to work in constant current (CC) mode. Figure 4 shows the secondary current waveforms.

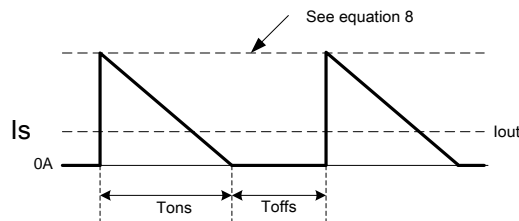


Figure 4. Secondary Current Waveform

In CC operation, the CC loop control function of AP3968/69/70 will keep a fixed proportion between D1 on-time  $T_{ons}$  and D1 off-time  $T_{offs}$  by discharging or charging the built-in capacitance connected. This fixed proportion is

$$\frac{T_{ons}}{T_{offs}} = \frac{4}{3} \dots\dots\dots(6)$$

The relation between the output constant-current and secondary peak current  $I_{pks}$  is given by:

$$I_{out} = \frac{1}{2} \cdot I_{pks} \cdot \frac{T_{ons}}{T_{ons} + T_{offs}} \dots\dots\dots(7)$$

## Operation Description (Cont.)

At the instant of D1 turn-on, the primary current transfers to the secondary at an amplitude of:

$$I_{pks} = \frac{N_p}{N_s} \cdot I_{pk} \dots\dots\dots(8)$$

Thus the output constant current is given by:

$$I_{out} = \frac{2}{7} \cdot \frac{N_p}{N_s} \cdot I_{pk} \dots\dots\dots(9)$$

### Leading Edge Blanking (LEB)

When the power switch is turned on, a turn-on spike on the output pulse rising edge will occur on the sense-resistor. To avoid false termination of the switching pulse, a typical 500ns leading edge blanking is built in. During this blanking period, the current sense comparator is disabled and the gate driver cannot be switched off.

The built-in LEB in AP3968/69/70 has shorter delay time from current sense terminal to output pulse than those IC solutions adopting external RC filter as LEB.

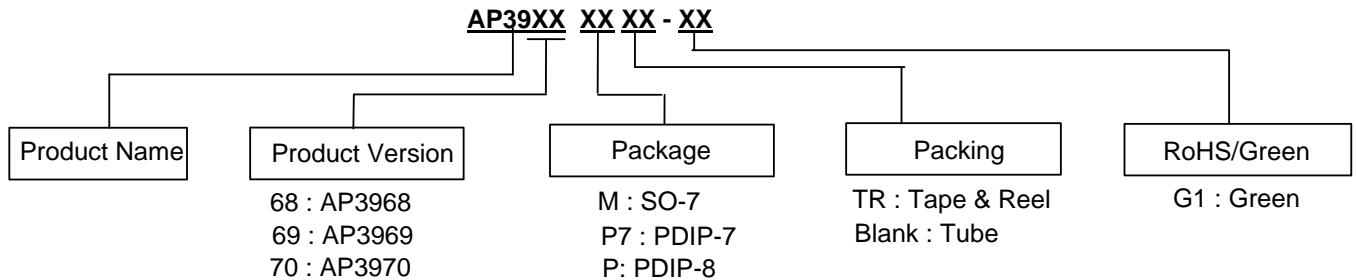
### Built-in Cable Compensation

The AP3968/69/70 has built-in fixed voltage of 0.35V typical to compensate the drop of output cable when the load is changed from zero to full load. A typical 0.01µF external capacitor connected to the CPC pin is used to smooth voltage signal for cable compensation.

### Over Temperature Protection

The AP3968/69/70 has internal thermal sensing circuit to shut down the PFM driver output when the die temperature reaches +160°C typical. When the die temperature drops about 40°C, the IC will recover automatically to normal operation.

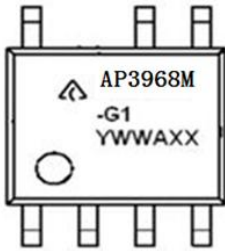
## Ordering Information



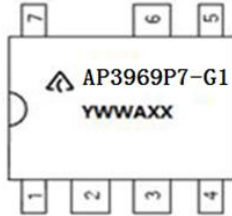
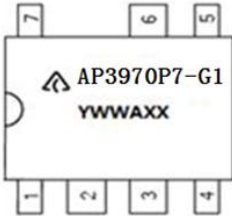
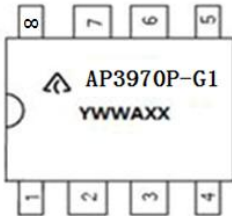
Diodes IC's Pb-free products with "G1" suffix in the part number, are RoHS compliant and green.

Package	Temperature Range	Part Number	Marking ID	Packing
SO-7	-40°C to +85°C	AP3968MTR-G1	AP3968M-G1	4000/Tape & Reel
PDIP-7		AP3969P7-G1	AP3969P7-G1	50/Tube
		AP3970P7-G1	AP3970P7-G1	50/Tube
		AP3970P-G1	AP3970P-G1	50/Tube

**Marking Information**



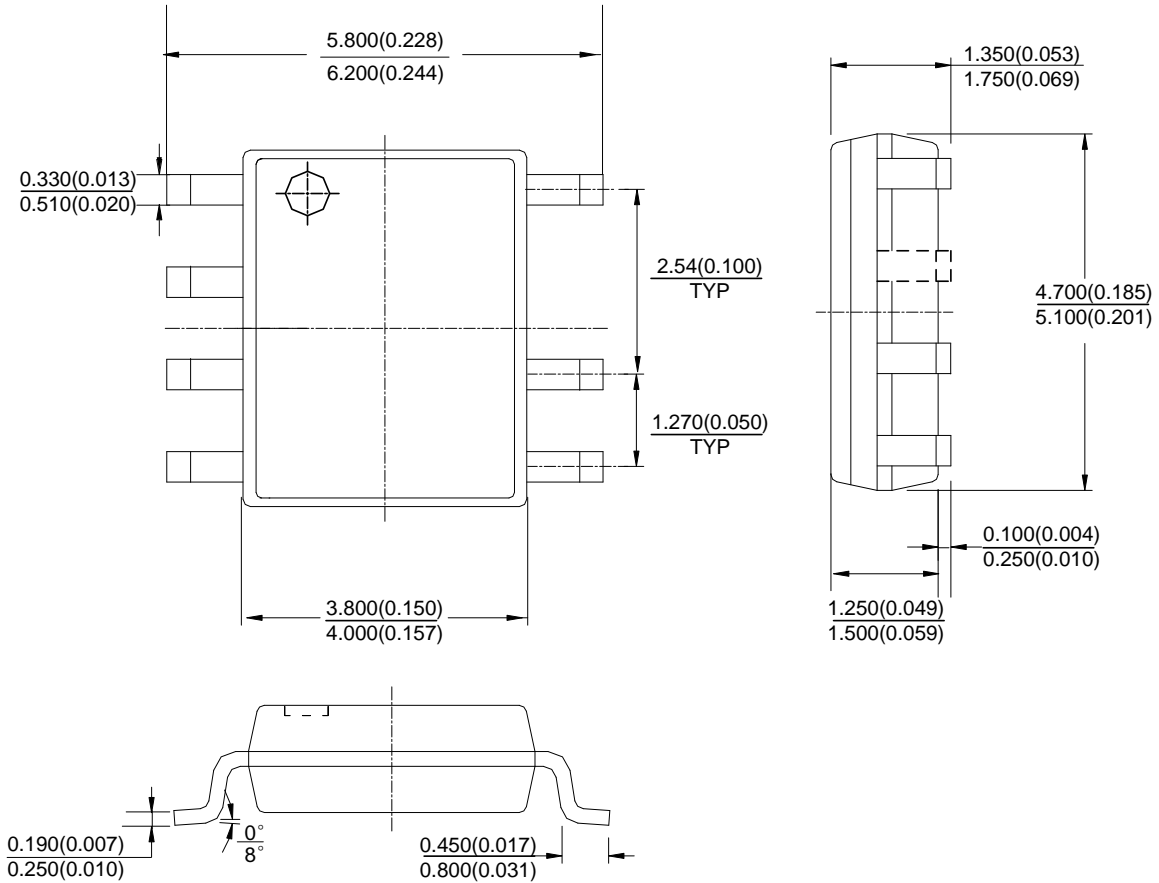
First and Second Lines: Logo and Marking ID  
 Third Line: Date Code  
 Y: Year  
 WW: Work Week of Molding  
 A: Assembly House Code  
 XX: 7<sup>th</sup> and 8<sup>th</sup> Digits of Batch No.



First Line: Logo and Marking ID  
 Second Line: Date Code  
 Y: Year  
 WW: Work Week of Molding  
 A: Assembly House Code  
 XX: 7<sup>th</sup> and 8<sup>th</sup> Digits of Batch No.

**Package Outline Dimensions** (All dimensions in mm(inch).)

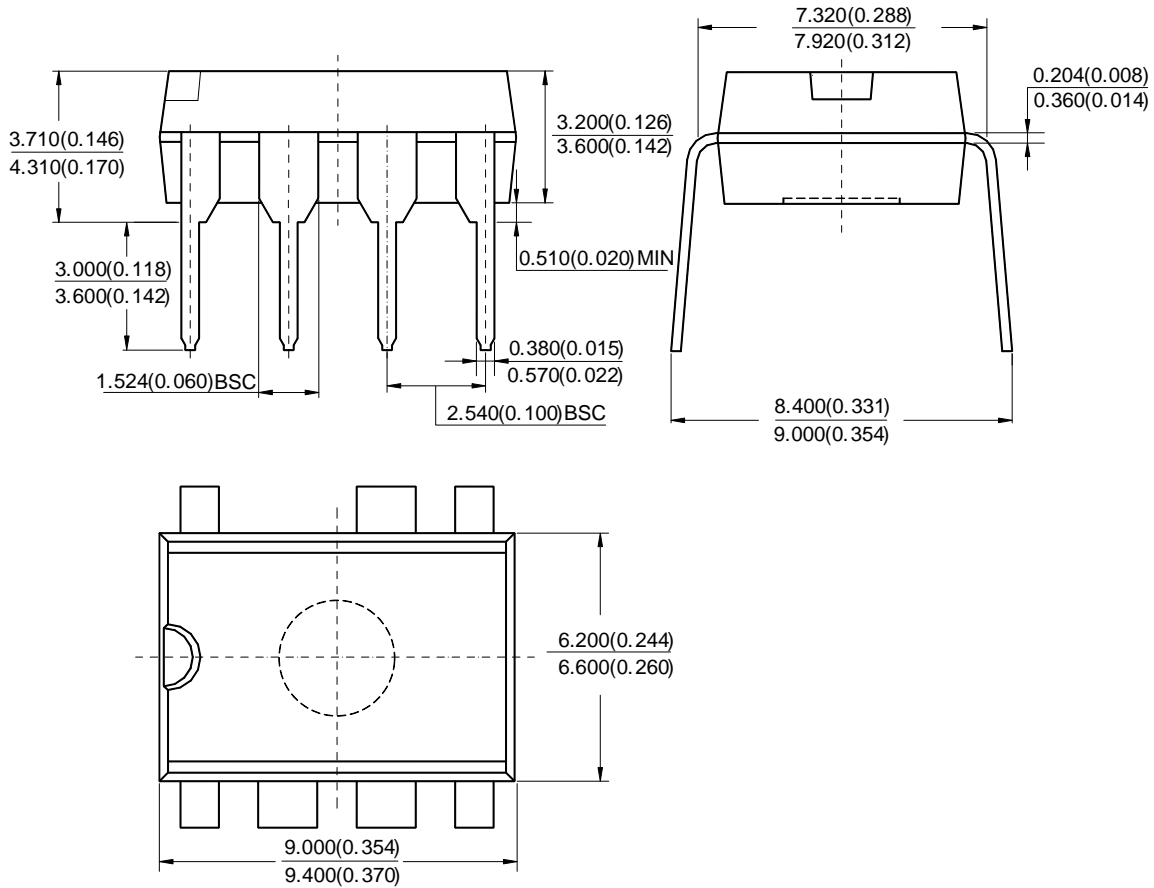
(1) Package Type: SO-7



Note: Eject hole, oriented hole and mold mark is optional.

**Package Outline Dimensions** (Cont.) (All dimensions in mm (inch).)

(2) Package Type: PDIP-7

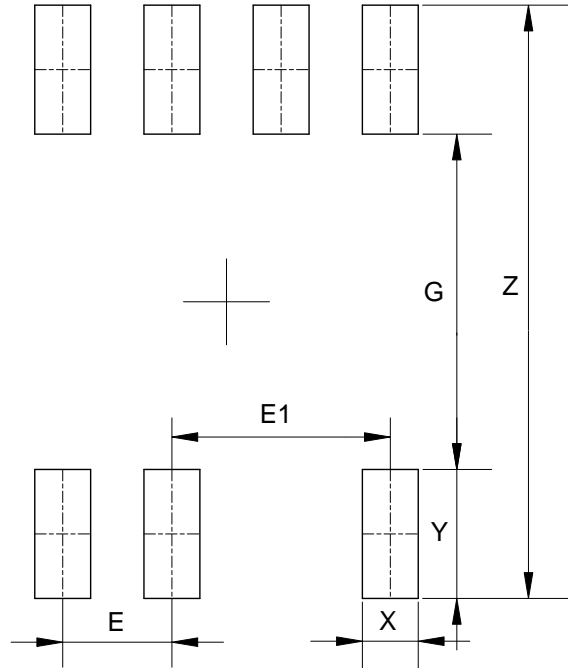


Note: Eject hole, oriented hole and mold mark is optional



## Suggested Pad Layout

(1) Package Type: SO-7



Dimensions	Z (mm)/(inch)	G (mm)/(inch)	X (mm)/(inch)	Y (mm)/(inch)	E (mm)/(inch)	E1 (mm)/(inch)
Value	6.900/0.272	3.900/0.154	0.650/0.026	1.500/0.059	1.270/0.050	2.540/0.100

**IMPORTANT NOTICE**

DIODES INCORPORATED MAKES NO WARRANTY OF ANY KIND, EXPRESS OR IMPLIED, WITH REGARDS TO THIS DOCUMENT, INCLUDING, BUT NOT LIMITED TO, THE IMPLIED WARRANTIES OF MERCHANTABILITY AND FITNESS FOR A PARTICULAR PURPOSE (AND THEIR EQUIVALENTS UNDER THE LAWS OF ANY JURISDICTION).

Diodes Incorporated and its subsidiaries reserve the right to make modifications, enhancements, improvements, corrections or other changes without further notice to this document and any product described herein. Diodes Incorporated does not assume any liability arising out of the application or use of this document or any product described herein; neither does Diodes Incorporated convey any license under its patent or trademark rights, nor the rights of others. Any Customer or user of this document or products described herein in such applications shall assume all risks of such use and will agree to hold Diodes Incorporated and all the companies whose products are represented on Diodes Incorporated website, harmless against all damages.

Diodes Incorporated does not warrant or accept any liability whatsoever in respect of any products purchased through unauthorized sales channel. Should Customers purchase or use Diodes Incorporated products for any unintended or unauthorized application, Customers shall indemnify and hold Diodes Incorporated and its representatives harmless against all claims, damages, expenses, and attorney fees arising out of, directly or indirectly, any claim of personal injury or death associated with such unintended or unauthorized application.

Products described herein may be covered by one or more United States, international or foreign patents pending. Product names and markings noted herein may also be covered by one or more United States, international or foreign trademarks.

This document is written in English but may be translated into multiple languages for reference. Only the English version of this document is the final and determinative format released by Diodes Incorporated.

**LIFE SUPPORT**

Diodes Incorporated products are specifically not authorized for use as critical components in life support devices or systems without the express written approval of the Chief Executive Officer of Diodes Incorporated. As used herein:

A. Life support devices or systems are devices or systems which:

1. are intended to implant into the body, or
2. support or sustain life and whose failure to perform when properly used in accordance with instructions for use provided in the labeling can be reasonably expected to result in significant injury to the user.

B. A critical component is any component in a life support device or system whose failure to perform can be reasonably expected to cause the failure of the life support device or to affect its safety or effectiveness.



Customers represent that they have all necessary expertise in the safety and regulatory ramifications of their life support devices or systems, and acknowledge and agree that they are solely responsible for all legal, regulatory and safety-related requirements concerning their products and any use of Diodes Incorporated products in such safety-critical, life support devices or systems, notwithstanding any devices- or systems-related information or support that may be provided by Diodes Incorporated. Further, Customers must fully indemnify Diodes Incorporated and its representatives against any damages arising out of the use of Diodes Incorporated products in such safety-critical, life support devices or systems.

Copyright © 2013, Diodes Incorporated

[www.diodes.com](http://www.diodes.com)

## Looking for pricing, stock, or lifecycle information?

Click below to explore more details on WIN SOURCE:

-  [View AP3970 on WIN SOURCE](#)
-  [Diodes Incorporated](#) Information

## Optimize Your Supply Chain with WIN SOURCE Solutions

-  Global Sourcing Solution
-  Obsolete Management
-  Cost Control Management
-  Shortage Management
-  Alternative Solution
-  Excess Inventory Management