



**THE DATASHEET OF
74ACT373MTC**



74AC373 • 74ACT373

Octal Transparent Latch with 3-STATE Outputs

General Description

The AC/ACT373 consists of eight latches with 3-STATE outputs for bus organized system applications. The flip-flops appear transparent to the data when Latch Enable (LE) is HIGH. When LE is LOW, the data that meets the setup time is latched. Data appears on the bus when the Output Enable (\overline{OE}) is LOW. When \overline{OE} is HIGH, the bus output is in the high impedance state.

Features

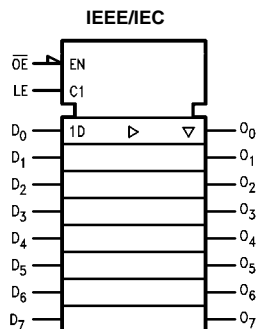
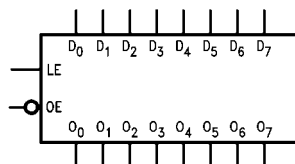
- I_{CC} and I_{OZ} reduced by 50%
- Eight latches in a single package
- 3-STATE outputs for bus interfacing
- Outputs source/sink 24 mA
- ACT373 has TTL-compatible inputs

Ordering Code:

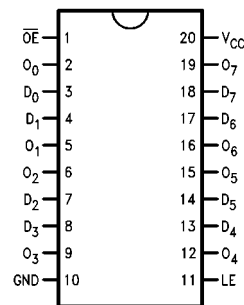
| Order Number | Package Number | Package Description |
|--------------|----------------|---------------------------------------------------------------------------------|
| 74AC373SC | M20B | 20-Lead Small Outline Integrated Circuit (SOIC), JEDEC MS-013, 0.300" Wide Body |
| 74AC373SJ | M20D | 20-Lead Small Outline Package (SOP), EIAJ TYPE II, 5.3mm Wide |
| 74AC373MTC | MTC20 | 20-Lead Thin Shrink Small Outline Package (TSSOP), JEDEC MO-153, 4.4mm Wide |
| 74AC373PC | N20A | 20-Lead Plastic Dual-In-Line Package (PDIP), JEDEC MS-001, 0.300" Wide |
| 74ACT373SC | M20B | 20-Lead Small Outline Integrated Circuit (SOIC), JEDEC MS-013, 0.300" Wide Body |
| 74ACT373SJ | M20D | 20-Lead Small Outline Package (SOP), EIAJ TYPE II, 5.3mm Wide |
| 74ACT373MSA | MSA20 | 20-Lead Shrink Small Outline Package (SSOP), EIAJ TYPE II, 5.3mm Wide |
| 74ACT373MTC | MTC20 | 20-Lead Thin Shrink Small Outline Package (TSSOP), JEDEC MO-153, 4.4mm Wide |
| 74ACT373PC | N20A | 20-Lead Plastic Dual-In-Line Package (PDIP), JEDEC MS-001, 0.300" Wide |

Device also available in Tape and Reel. Specify by appending suffix letter "X" to the ordering information

Logic Symbols



Connection Diagram



Pin Descriptions

| Pin Names | Description |
|-----------------|-----------------------|
| D_0 - D_7 | Data Inputs |
| LE | Latch Enable Input |
| \overline{OE} | Output Enable Input |
| O_0 - O_7 | 3-STATE Latch Outputs |

FACT™ is a trademark of Fairchild Semiconductor Corporation.

Functional Description

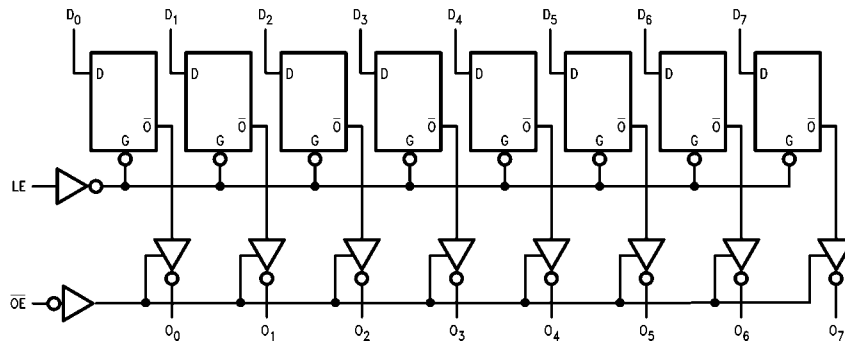
The AC/ACT373 contains eight D-type latches with 3-STATE standard outputs. When the Latch Enable (LE) input is HIGH, data on the D_n inputs enters the latches. In this condition the latches are transparent, i.e., a latch output will change state each time its D-type input changes. When LE is LOW, the latches store the information that was present on the D-type inputs a setup time preceding the HIGH-to-LOW transition of LE. The 3-STATE standard outputs are controlled by the Output Enable (\overline{OE}) input. When \overline{OE} is LOW, the standard outputs are in the 2-state mode. When \overline{OE} is HIGH, the standard outputs are in the high impedance mode but this does not interfere with entering new data into the latches.

Truth Table

| Inputs | | | Outputs |
|--------|-----------------|-------|---------|
| LE | \overline{OE} | D_n | O_n |
| X | H | X | Z |
| H | L | L | L |
| H | L | H | H |
| L | L | X | O_0 |

H = HIGH Voltage Level
 L = LOW Voltage Level
 Z = High Impedance
 X = Immaterial
 O_0 = Previous O_0 before HIGH-to-LOW transition of Latch Enable

Logic Diagram



Please note that this diagram is provided only for the understanding of logic operations and should not be used to estimate propagation delays.

Absolute Maximum Ratings(Note 1)

| | |
|------------------------------------------------------------------------|--------------------------|
| Supply Voltage (V_{CC}) | -0.5V to +7.0V |
| DC Input Diode Current (I_{IK}) | |
| $V_I = -0.5V$ | -20 mA |
| $V_I = V_{CC} + 0.5V$ | +20 mA |
| DC Input Voltage (V_I) | -0.5V to $V_{CC} + 0.5V$ |
| DC Output Diode Current (I_{OK}) | |
| $V_O = -0.5V$ | -20 mA |
| $V_O = V_{CC} + 0.5V$ | +20 mA |
| DC Output Voltage (V_O) | -0.5V to $V_{CC} + 0.5V$ |
| DC Output Source or Sink Current (I_O) | ± 50 mA |
| DC V_{CC} or Ground Current per Output Pin (I_{CC} or I_{GND}) | ± 50 mA |
| Storage Temperature (T_{STG}) | -65°C to +150°C |
| Junction Temperature (T_J) | |
| PDIP | 140°C |

Recommended Operating Conditions

| | |
|-------------------------------------------------|----------------|
| Supply Voltage (V_{CC}) | |
| AC | 2.0V to 6.0V |
| ACT | 4.5V to 5.5V |
| Input Voltage (V_I) | 0V to V_{CC} |
| Output Voltage (V_O) | 0V to V_{CC} |
| Operating Temperature (T_A) | -40°C to +85°C |
| Minimum Input Edge Rate ($\Delta V/\Delta t$) | |
| AC Devices | |
| V_{IN} from 30% to 70% of V_{CC} | |
| V_{CC} @ 3.3V, 4.5V, 5.5V | 125 mV/ns |
| Minimum Input Edge Rate ($\Delta V/\Delta t$) | |
| ACT Devices | |
| V_{IN} from 0.8V to 2.0V | |
| V_{CC} @ 4.5V, 5.5V | 125 mV/ns |

Note 1: Absolute maximum ratings are those values beyond which damage to the device may occur. The databook specifications should be met, without exception, to ensure that the system design is reliable over its power supply, temperature, and output/input loading variables. Fairchild does not recommend operation of FACT™ circuits outside databook specifications.

DC Electrical Characteristics for AC

| Symbol | Parameter | V_{CC} (V) | $T_A = +25^\circ\text{C}$ | | $T_A = -40^\circ\text{C to } +85^\circ\text{C}$ | | Units | Conditions |
|-------------------|--------------------------------------------|-----------------|---------------------------|-------------------|-------------------------------------------------|--|---------|-------------------------------------------------------------------------------------------------------|
| | | | Typ | Guaranteed Limits | | | | |
| V_{IH} | Minimum HIGH Level Input Voltage | 3.0 | 1.5 | 2.1 | 2.1 | | V | $V_{OUT} = 0.1V$ or $V_{CC} - 0.1V$ |
| | | 4.5 | 2.25 | 3.15 | 3.15 | | | |
| | | 5.5 | 2.75 | 3.85 | 3.85 | | | |
| V_{IL} | Maximum LOW Level Input Voltage | 3.0 | 1.5 | 0.9 | 0.9 | | V | $V_{OUT} = 0.1V$ or $V_{CC} - 0.1V$ |
| | | 4.5 | 2.25 | 1.35 | 1.35 | | | |
| | | 5.5 | 2.75 | 1.65 | 1.65 | | | |
| V_{OH} | Minimum HIGH Level Output Voltage | 3.0 | 2.99 | 2.9 | 2.9 | | V | $I_{OUT} = -50 \mu A$ |
| | | 4.5 | 4.49 | 4.4 | 4.4 | | | |
| | | 5.5 | 5.49 | 5.4 | 5.4 | | | |
| | | 3.0 | | 2.56 | 2.46 | | V | $V_{IN} = V_{IL}$ or V_{IH} $I_{OH} = -12$ mA $I_{OH} = -24$ mA $I_{OL} = -24$ mA (Note 2) |
| | | 4.5 | | 3.86 | 3.76 | | | |
| | | 5.5 | | 4.86 | 4.76 | | | |
| V_{OL} | Maximum LOW Level Output Voltage | 3.0 | 0.002 | 0.1 | 0.1 | | V | $I_{OUT} = 50 \mu A$ |
| | | 4.5 | 0.001 | 0.1 | 0.1 | | | |
| | | 5.5 | 0.001 | 0.1 | 0.1 | | | |
| | | 3.0 | | 0.36 | 0.44 | | V | $V_{IN} = V_{IL}$ or V_{IH} $I_{OL} = 12$ mA $I_{OL} = 24$ mA $I_{OL} = 24$ mA (Note 2) |
| | | 4.5 | | 0.36 | 0.44 | | | |
| | | 5.5 | | 0.36 | 0.44 | | | |
| I_{IN} (Note 4) | Maximum Input Leakage Current | 5.5 | | ± 0.1 | ± 1.0 | | μA | $V_I = V_{CC}, GND$ |
| I_{OZ} | Maximum 3-STATE Current | 5.5 | | ± 0.25 | ± 2.5 | | μA | V_I (OE) = V_{IL}, V_{IH} $V_I = V_{CC}, GND$ $V_O = V_{CC}, GND$ |
| I_{OLD} | Minimum Dynamic Output Current (Note 3) | 5.5 | | | 75 | | mA | $V_{OLD} = 1.65V$ Max |
| I_{OHD} | | 5.5 | | | -75 | | mA | $V_{OHD} = 3.85V$ Min |
| I_{CC} (Note 4) | Maximum Quiescent Supply Current | 5.5 | | 4.0 | 40.0 | | μA | $V_{IN} = V_{CC}$ or GND |

Note 2: All outputs loaded, thresholds on input associated with output under test.

Note 3: Maximum test duration 2.0 ms, one output loaded at a time.

Note 4: I_{IN} and I_{CC} @ 3.0V are guaranteed to be less than or equal to the respective limit @ 5.5V V_{CC} .

DC Electrical Characteristics for ACT

| Symbol | Parameter | V _{CC} (V) | T _A = +25°C | | T _A = -40°C to +85°C | | Units | Conditions |
|------------------|--------------------------------------|------------------------|------------------------|-------------------|---------------------------------|----|-----------------------------------------------------------------------------------------------------------------------|------------|
| | | | Typ | Guaranteed Limits | | | | |
| V _{IH} | Minimum HIGH Level Input Voltage | 4.5 | 1.5 | 2.0 | 2.0 | V | V _{OUT} = 0.1V or V _{CC} - 0.1V | |
| | | 5.5 | 1.5 | 2.0 | 2.0 | | | |
| V _{IL} | Maximum LOW Level Input Voltage | 4.5 | 1.5 | 0.8 | 0.8 | V | V _{OUT} = 0.1V or V _{CC} - 0.1V | |
| | | 5.5 | 1.5 | 0.8 | 0.8 | | | |
| V _{OH} | Minimum HIGH Level Output Voltage | 4.5 | 4.49 | 4.4 | 4.4 | V | I _{OUT} = -50 μA | |
| | | 5.5 | 5.49 | 5.4 | 5.4 | | | |
| | | 4.5 | | 3.86 | 3.76 | V | V _{IN} = V _{IL} or V _{IH} I _{OH} = -24 mA I _{OH} = -24 mA (Note 5) | |
| | | 5.5 | | 4.86 | 4.76 | | | |
| V _{OL} | Maximum LOW Level Output Voltage | 4.5 | 0.001 | 0.1 | 0.1 | V | I _{OUT} = 50 μA | |
| | | 5.5 | 0.001 | 0.1 | 0.1 | | | |
| | | 4.5 | | 0.36 | 0.44 | V | V _{IN} = V _{IL} or V _{IH} I _{OL} = 24 mA I _{OL} = 24 mA (Note 5) | |
| | | 5.5 | | 0.36 | 0.44 | | | |
| I _{IN} | Maximum Input Leakage Current | 5.5 | | ± 0.1 | ± 1.0 | μA | V _I = V _{CC} , GND | |
| I _{OZ} | Maximum 3-STATE Current | 5.5 | | ± 0.25 | ± 2.5 | μA | V _I = V _{IL} , V _{IH} V _O = V _{CC} , GND | |
| I _{CC1} | Maximum I _{CC} /Input | 5.5 | 0.6 | | 1.5 | mA | V _I = V _{CC} - 2.1V | |
| I _{OLD} | Minimum Dynamic | 5.5 | | | 75 | mA | V _{OLD} = 1.65V Max | |
| | Output Current (Note 6) | 5.5 | | | -75 | mA | V _{OH} = 3.85V Min | |
| I _{CC} | Maximum Quiescent Supply Current | 5.5 | | 4.0 | 40.0 | μA | V _{IN} = V _{CC} or GND | |

Note 5: All outputs loaded; thresholds on input associated with output under test.

Note 6: Maximum test duration 2.0 ms, one output loaded at a time.

AC Electrical Characteristics for AC

| Symbol | Parameter | V _{CC} (V) (Note 7) | T _A = +25°C C _L = 50 pF | | | T _A = -40°C to +85°C C _L = 50 pF | | Units |
|------------------|-------------------------------------------------------|------------------------------------|--------------------------------------------------|------|------|-----------------------------------------------------------|------|-------|
| | | | Min | Typ | Max | Min | Max | |
| t _{PLH} | Propagation Delay D _n to O _n | 3.3 | 1.5 | 10.0 | 13.5 | 1.5 | 15.0 | ns |
| | | 5.0 | 1.5 | 7.0 | 9.5 | 1.5 | 10.5 | |
| t _{PHL} | Propagation Delay D _n to O _n | 3.3 | 1.5 | 9.5 | 13.0 | 1.5 | 14.5 | ns |
| | | 5.0 | 1.5 | 7.0 | 9.5 | 1.5 | 10.5 | |
| t _{PLH} | Propagation Delay LE to O _n | 3.3 | 1.5 | 10.0 | 13.5 | 1.5 | 15.0 | ns |
| | | 5.0 | 1.5 | 7.5 | 9.5 | 1.5 | 10.5 | |
| t _{PHL} | Propagation Delay LE to O _n | 3.3 | 1.5 | 9.5 | 12.5 | 1.5 | 14.0 | ns |
| | | 5.0 | 1.5 | 7.0 | 9.5 | 1.5 | 10.5 | |
| t _{PZH} | Output Enable Time | 3.3 | 1.5 | 9.0 | 11.5 | 1.0 | 13.0 | ns |
| | | 5.0 | 1.5 | 7.0 | 8.5 | 1.0 | 9.5 | |
| t _{PZL} | Output Enable Time | 3.3 | 1.5 | 8.5 | 11.5 | 1.0 | 13.0 | ns |
| | | 5.0 | 1.5 | 6.5 | 8.5 | 1.0 | 9.5 | |
| t _{PHZ} | Output Disable Time | 3.3 | 1.5 | 10.0 | 12.5 | 1.0 | 14.5 | ns |
| | | 5.0 | 1.5 | 8.0 | 11.0 | 1.0 | 12.5 | |
| t _{PLZ} | Output Disable Time | 3.3 | 1.5 | 8.0 | 11.5 | 1.0 | 12.5 | ns |
| | | 5.0 | 1.5 | 6.5 | 8.5 | 1.0 | 10.0 | |

Note 7: Voltage Range 3.3 is 3.3V ± 0.3V

Voltage Range 5.0 is 5.0V ± 0.5V

| AC Operating Requirements for AC | | | | | | | |
|----------------------------------|-------------------------|------------------------------------|--------------------------------------------------|--------------------|-----------------------------------------------------------|--|-------|
| Symbol | Parameter | V _{CC} (V) (Note 8) | T _A = +25°C C _L = 50 pF | | T _A = -40°C to +85°C C _L = 50 pF | | Units |
| | | | Typ | Guaranteed Minimum | | | |
| t _S | Setup Time, HIGH or LOW | 3.3 | 3.5 | 5.5 | 6.0 | | ns |
| | D _n to LE | 5.0 | 2.0 | 4.0 | 4.5 | | |
| t _H | Hold Time, HIGH or LOW | 3.3 | -3.0 | 1.0 | 1.0 | | ns |
| | D _n to LE | 5.0 | -1.5 | 1.0 | 1.0 | | |
| t _W | LE Pulse Width, | 3.3 | 4.0 | 5.5 | 6.0 | | ns |
| | HIGH | 5.0 | 2.0 | 4.0 | 4.5 | | |

Note 8: Voltage Range 3.3 is 3.3V ± 0.3V
Voltage Range 5.0 is 5.0V ± 0.5V

| AC Electrical Characteristics for ACT | | | | | | | | |
|---------------------------------------|-------------------------------------------------------|------------------------------------|--------------------------------------------------|-----|------|-----------------------------------------------------------|------|-------|
| Symbol | Parameter | V _{CC} (V) (Note 9) | T _A = +25°C C _L = 50 pF | | | T _A = -40°C to +85°C C _L = 50 pF | | Units |
| | | | Min | Typ | Max | Min | Max | |
| t _{PLH} | Propagation Delay D _n to O _n | 5.0 | 2.5 | 8.5 | 10.0 | 1.5 | 11.5 | ns |
| t _{PHL} | Propagation Delay D _n to O _n | 5.0 | 2.0 | 8.0 | 10.0 | 1.5 | 11.5 | ns |
| t _{PLH} | Propagation Delay LE to O _n | 5.0 | 2.5 | 8.5 | 11.0 | 2.0 | 11.5 | ns |
| t _{PHL} | Propagation Delay LE to O _n | 5.0 | 2.0 | 8.0 | 10.0 | 1.5 | 11.5 | ns |
| t _{PZH} | Output Enable Time | 5.0 | 2.0 | 8.0 | 9.5 | 1.5 | 10.5 | ns |
| t _{PZL} | Output Enable Time | 5.0 | 2.0 | 7.5 | 9.0 | 1.5 | 10.5 | ns |
| t _{PHZ} | Output Disable Time | 5.0 | 2.5 | 9.0 | 11.0 | 2.5 | 12.5 | ns |
| t _{PLZ} | Output Disable Time | 5.0 | 1.5 | 7.5 | 8.5 | 1.0 | 10.0 | ns |

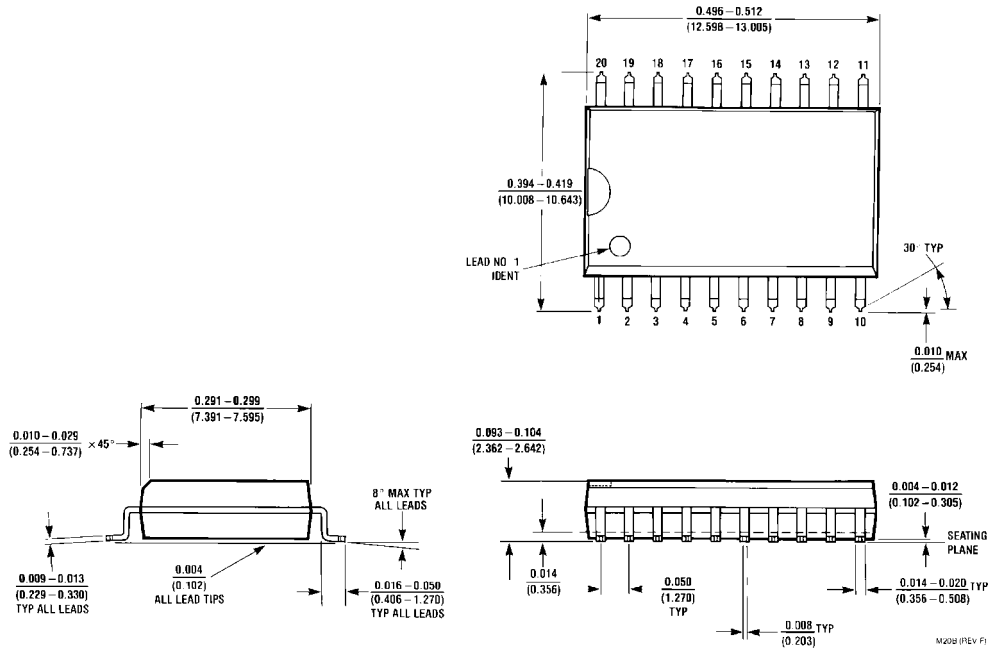
Note 9: Voltage Range 5.0 is 5.0V ± 0.5V

| AC Operating Requirements for ACT | | | | | | | |
|-----------------------------------|-------------------------------------------------|-------------------------------------|--------------------------------------------------|--------------------|-----------------------------------------------------------|--|-------|
| Symbol | Parameter | V _{CC} (V) (Note 10) | T _A = +25°C C _L = 50 pF | | T _A = -40°C to +85°C C _L = 50 pF | | Units |
| | | | Typ | Guaranteed Minimum | | | |
| t _S | Setup Time, HIGH or LOW D _n to LE | 5.0 | 0.8 | 2.5 | 3.5 | | ns |
| t _H | Hold Time, HIGH or LOW D _n to LE | 5.0 | 0 | 0 | 1.0 | | ns |
| t _W | LE Pulse Width, HIGH | 5.0 | 2.0 | 7.0 | 8.0 | | ns |

Note 10: Voltage Range 5.0 is 5.0V ± 0.5V

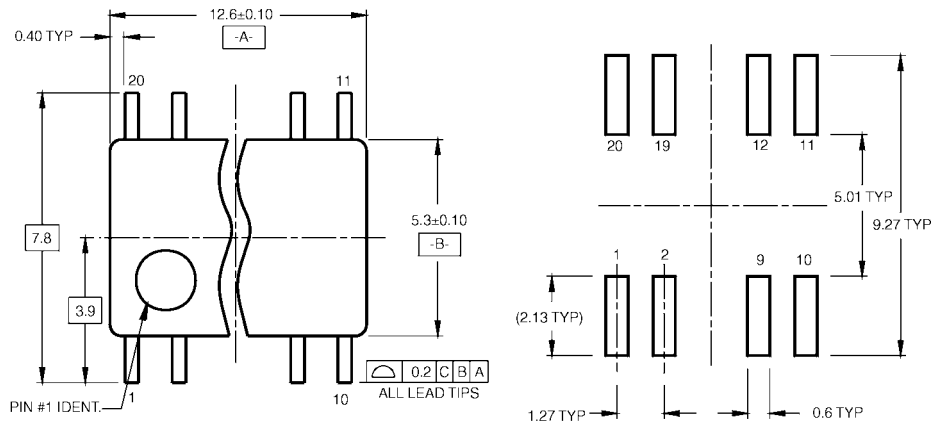
| Capacitance | | | | |
|-----------------|-------------------------------|------|-------|------------------------|
| Symbol | Parameter | Typ | Units | Conditions |
| C _{IN} | Input Capacitance | 4.5 | pF | V _{CC} = OPEN |
| C _{PD} | Power Dissipation Capacitance | 40.0 | pF | V _{CC} = 5.0V |

Physical Dimensions inches (millimeters) unless otherwise noted



**20-Lead Small Outline Integrated Circuit (SOIC), JEDEC MS-013, 0.300" Wide Body
Package Number M20B**

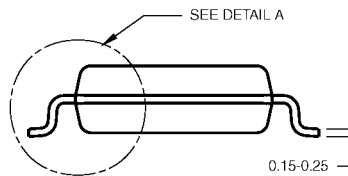
Physical Dimensions inches (millimeters) unless otherwise noted (Continued)



LAND PATTERN RECOMMENDATION



DIMENSIONS ARE IN MILLIMETERS



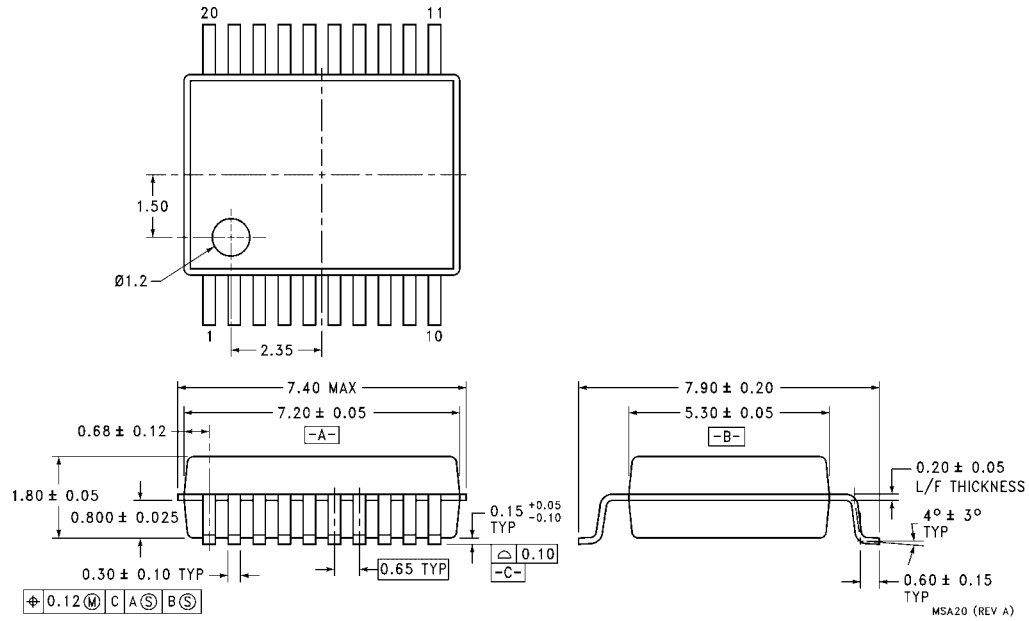
DETAIL A

- NOTES:
- A. CONFORMS TO EIAJ EDR-7320 REGISTRATION, ESTABLISHED IN DECEMBER, 1998.
 - B. DIMENSIONS ARE IN MILLIMETERS.
 - C. DIMENSIONS ARE EXCLUSIVE OF BURRS, MOLD FLASH, AND TIE BAR EXTRUSIONS.

M20DRevB1

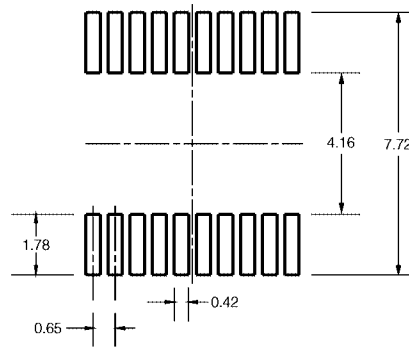
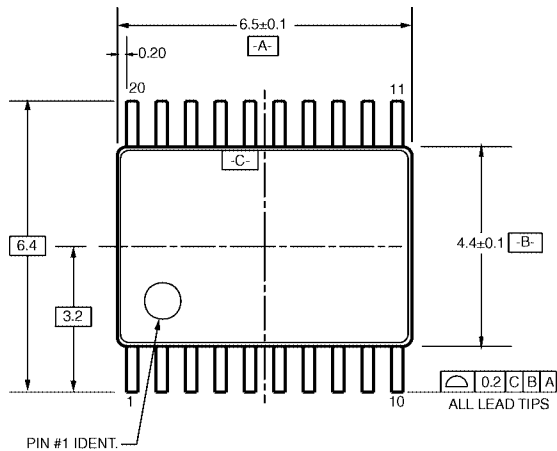
**20-Lead Small Outline Package (SOP), EIAJ TYPE II, 5.3mm Wide
Package Number M20D**

Physical Dimensions inches (millimeters) unless otherwise noted (Continued)

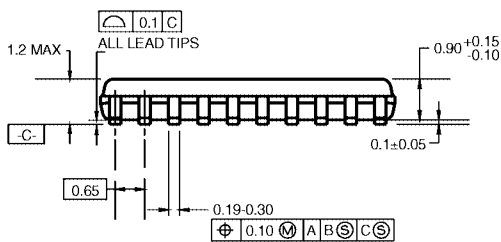


**20-Lead Shrink Small Outline Package (SSOP), EIAJ TYPE II, 5.3mm Wide
Package Number MSA20**

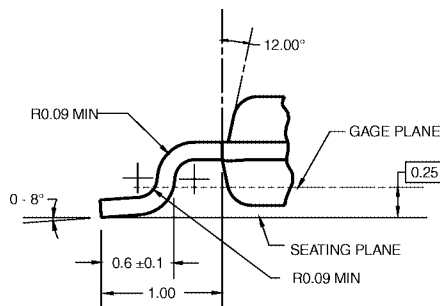
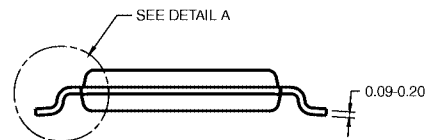
Physical Dimensions inches (millimeters) unless otherwise noted (Continued)



LAND PATTERN RECOMMENDATION



DIMENSIONS ARE IN MILLIMETERS



DETAIL A

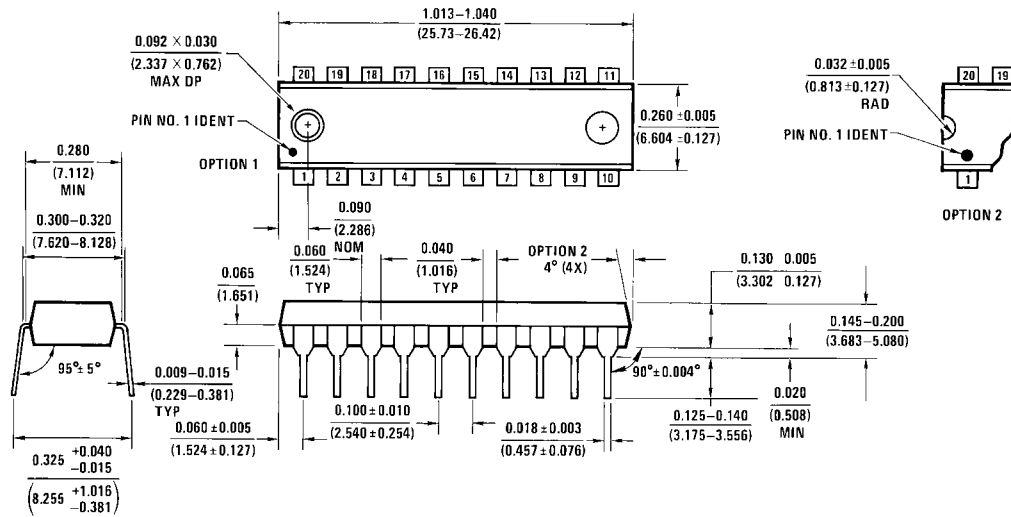
NOTES:

- A. CONFORMS TO JEDEC REGISTRATION MO-153, VARIATION AC, REF NOTE 6, DATE 7/93.
- B. DIMENSIONS ARE IN MILLIMETERS.
- C. DIMENSIONS ARE EXCLUSIVE OF BURRS, MOLD FLASH, AND TIE BAR EXTRUSIONS.
- D. DIMENSIONS AND TOLERANCES PER ANSI Y14.5M, 1982.

MTC20RevD1

**20-Lead Thin Shrink Small Outline Package (TSSOP), JEDEC MO-153, 4.4mm Wide
Package Number MTC20**

Physical Dimensions inches (millimeters) unless otherwise noted (Continued)



N20A (REV G)

**20-Lead Plastic Dual-In-Line Package (PDIP), JEDEC MS-001, 0.300" Wide
Package Number N20A**

Fairchild does not assume any responsibility for use of any circuitry described, no circuit patent licenses are implied and Fairchild reserves the right at any time without notice to change said circuitry and specifications.

LIFE SUPPORT POLICY

FAIRCHILD'S PRODUCTS ARE NOT AUTHORIZED FOR USE AS CRITICAL COMPONENTS IN LIFE SUPPORT DEVICES OR SYSTEMS WITHOUT THE EXPRESS WRITTEN APPROVAL OF THE PRESIDENT OF FAIRCHILD SEMICONDUCTOR CORPORATION. As used herein:

1. Life support devices or systems are devices or systems which, (a) are intended for surgical implant into the body, or (b) support or sustain life, and (c) whose failure to perform when properly used in accordance with instructions for use provided in the labeling, can be reasonably expected to result in a significant injury to the user.
2. A critical component in any component of a life support device or system whose failure to perform can be reasonably expected to cause the failure of the life support device or system, or to affect its safety or effectiveness.

www.fairchildsemi.com

Looking for pricing, stock, or lifecycle information?

Click below to explore more details on WIN SOURCE:

- ⊖ [View 74ACT373MTC](#) on WIN SOURCE
- ⊖ [Fairchild/ON Semiconductor](#) Information

Optimize Your Supply Chain with WIN SOURCE Solutions

- ✓ Global Sourcing Solution
- ✓ Obsolete Management
- ✓ Cost Control Management
- ✓ Shortage Management
- ✓ Alternative Solution
- ✓ Excess Inventory Management