



**THE DATASHEET OF
SN74ACT2235-20FN**



ASYNCHRONOUS BIDIRECTIONAL FIRST-IN, FIRST-OUT MEMORY

SCAS148F – DECEMBER 1990 – REVISED JUNE 2003

- Independent Asynchronous Inputs and Outputs
- Low-Power Advanced CMOS Technology
- Bidirectional
- Dual 1024 by 9 Bits
- Programmable Almost-Full/Almost-Empty Flag
- Empty, Full, and Half-Full Flags
- Access Times of 25 ns With a 50-pF Load
- Data Rates up to 50 MHz
- Fall-Through Times of 22 ns Maximum
- High Output Drive for Direct Bus Interface
- Package Options Include 44-Pin Plastic Leaded Chip Carriers (FN) and 64-Pin Thin Quad Flat (PAG, PM) Packages

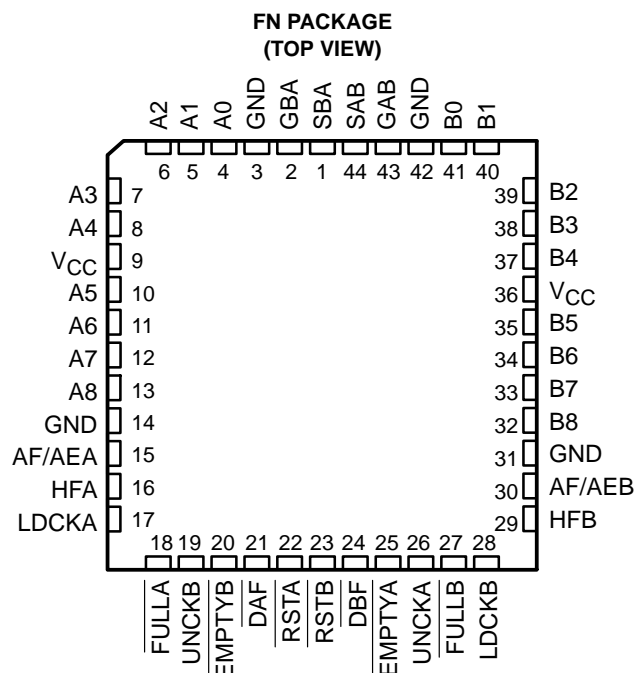
description

A FIFO memory is a storage device that allows data to be written into and read from its array at independent data rates. The SN74ACT2235 is arranged as two 1024 × 9-bit FIFOs for high speed and fast access times. It processes data at rates up to 50 MHz, with access times of 25 ns in a bit-parallel format.

The SN74ACT2235 consists of bus-transceiver circuits, two 1024 × 9-bit FIFOs, and control circuitry arranged for multiplexed transmission of data directly from the data bus or from the internal FIFO memories. Enable (GAB and GBA) inputs are provided to control the transceiver functions. The select-control (SAB and SBA) inputs are provided to select whether real-time or stored data is transferred. The circuitry used for select control eliminates the typical decoding glitch that occurs in a multiplexer during the transition between stored and real-time data. Figure 2 shows the eight fundamental bus-management functions that can be performed with the SN74ACT2235.

For more information on this device family, see the application report, *1K × 9 × 2 Asynchronous FIFO SN74ACT2235*, literature number SCAA010.

The SN74ACT2235 is characterized for operation from 0°C to 70°C.



Please be aware that an important notice concerning availability, standard warranty, and use in critical applications of Texas Instruments semiconductor products and disclaimers thereto appears at the end of this data sheet.

PRODUCTION DATA information is current as of publication date. Products conform to specifications per the terms of Texas Instruments standard warranty. Production processing does not necessarily include testing of all parameters.

 **TEXAS
INSTRUMENTS**

POST OFFICE BOX 655303 • DALLAS, TEXAS 75265

Copyright © 2003, Texas Instruments Incorporated

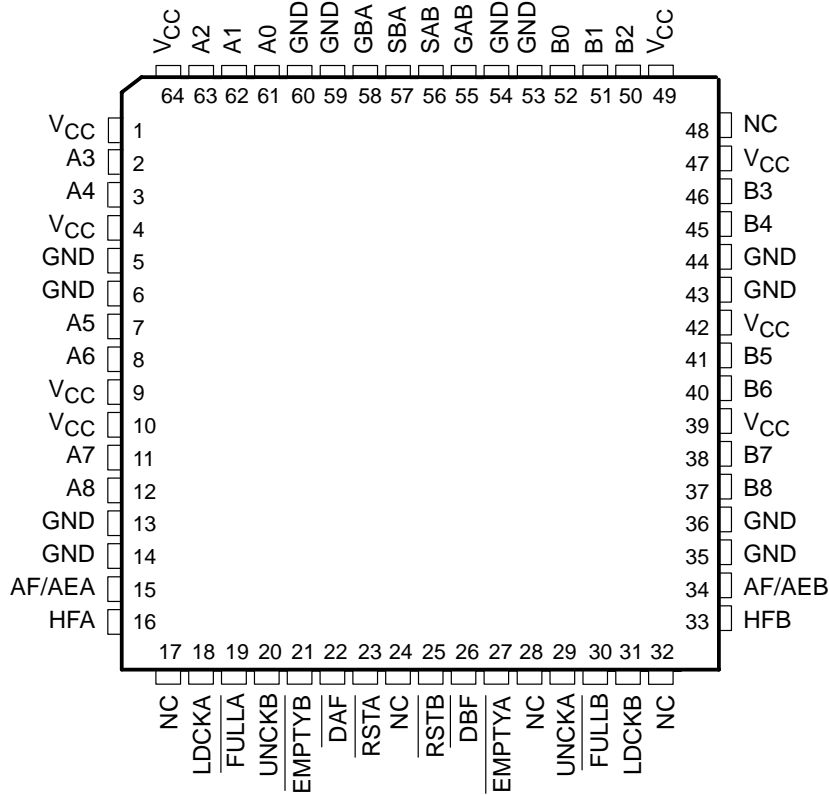
SN74ACT2235

1024 × 9 × 2

ASYNCHRONOUS BIDIRECTIONAL FIRST-IN, FIRST-OUT MEMORY

SCAS148F – DECEMBER 1990 – REVISED JUNE 2003

**PAG OR PM PACKAGE
(TOP VIEW)**



NC – No internal connection

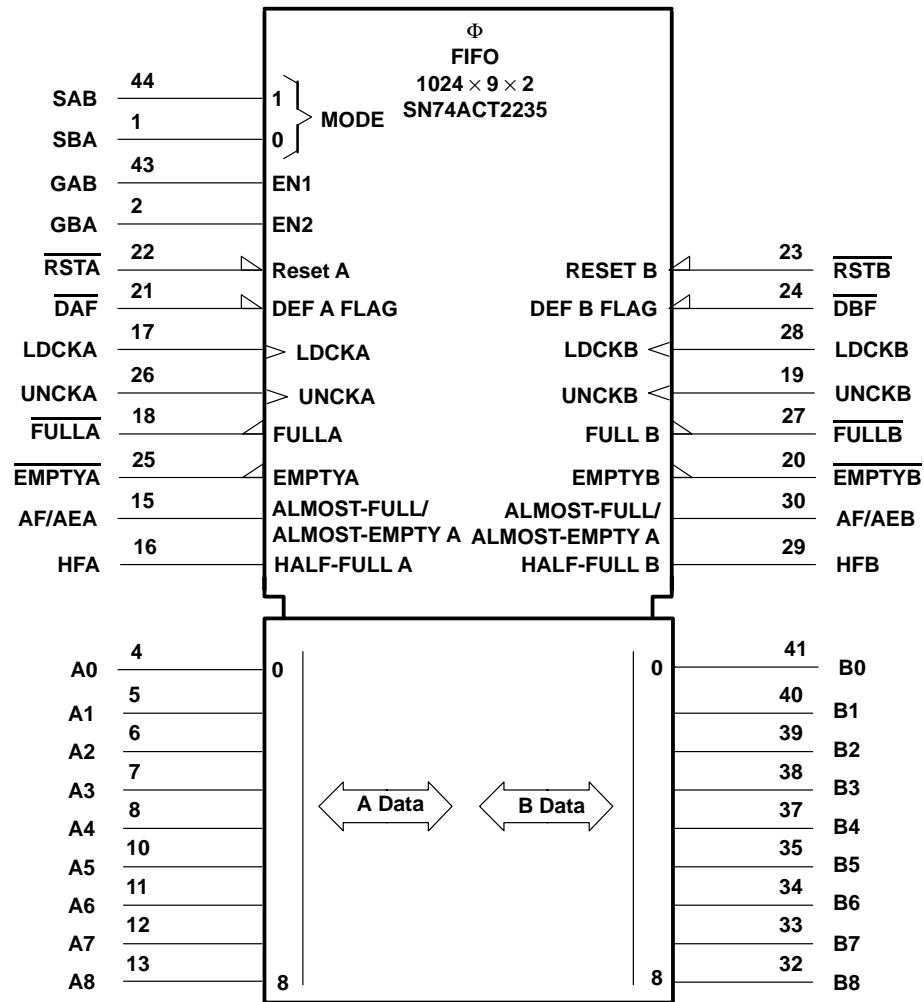


POST OFFICE BOX 655303 • DALLAS, TEXAS 75265

ASYNCHRONOUS BIDIRECTIONAL FIRST-IN, FIRST-OUT MEMORY

SCAS148F – DECEMBER 1990 – REVISED JUNE 2003

logic symbol†



† This symbol is in accordance with ANSI/IEEE Std 91-1984 and IEC Publication 617-12. Pin numbers shown are for the FN package.

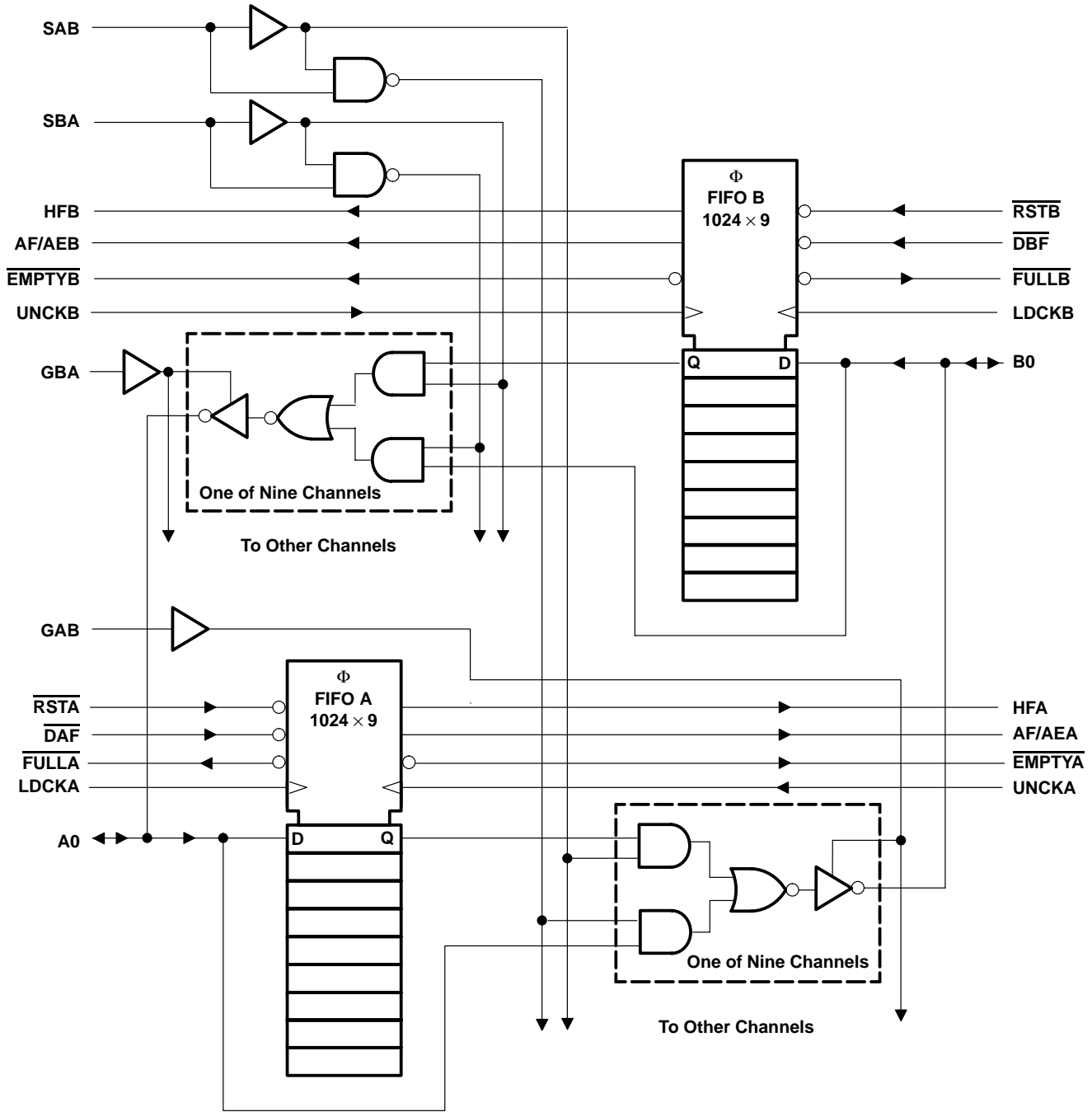
SN74ACT2235

1024 × 9 × 2

ASYNCHRONOUS BIDIRECTIONAL FIRST-IN, FIRST-OUT MEMORY

SCAS148F – DECEMBER 1990 – REVISED JUNE 2003

logic diagram (positive logic)



ASYNCHRONOUS BIDIRECTIONAL FIRST-IN, FIRST-OUT MEMORY

SCAS148F – DECEMBER 1990 – REVISED JUNE 2003

Terminal Functions

TERMINAL† NAME	NO.	I/O	DESCRIPTION
AF/AEA AF/AEB	15 30	O	Almost full/almost empty flags. The almost-full/almost-empty A flag (AF/AEA) is defined by the almost-full/almost-empty offset value for FIFO A (X). AF/AEA is high when FIFO A contains X or fewer words or 1024 – X words. AF/AEA is low when FIFO A contains between (X + 1) or (1023 – X) words. The operation of the almost-full/almost-empty B flag (AF/AEB) is the same as AF/AEA for FIFO B.
A0–A8	4–8, 10–13	I/O	A-data inputs and outputs
B0–B8	32–35, 37–41	I/O	B-data inputs and outputs
$\overline{\text{DAF}}$ $\overline{\text{DBF}}$	21 24	I	Define-flag inputs. The high-to-low transition of $\overline{\text{DAF}}$ stores the binary value on A0–A8 as the almost-full/almost-empty offset value for FIFO A (X). The high-to-low transition of $\overline{\text{DBF}}$ stores the binary value of B0–B8 as the almost-full/almost-empty offset value for FIFO B (Y).
$\overline{\text{EMPTYA}}$ $\overline{\text{EMPTYB}}$	25 20	O	Empty flags. $\overline{\text{EMPTYA}}$ and $\overline{\text{EMPTYB}}$ are low when their corresponding memories are empty and high when they are not empty.
$\overline{\text{FULLA}}$ $\overline{\text{FULLB}}$	18 27	O	Full flags. $\overline{\text{FULLA}}$ and $\overline{\text{FULLB}}$ are low when their corresponding memories are full and high when they are not full.
HFA HFB	16 29	O	Half-full flags. HFA and HFB are high when their corresponding memories contain 512 or more words and low when they contain 511 or fewer words.
LDCKA LDCKB	17 28	I	Load clocks. Data on A0–A8 is written into FIFO A on a low-to-high transition of LDCKA. Data on B0–B8 is written into FIFO B on a low-to-high transition of LDCKB. When the FIFOs are full, LDCKA and LDCKB have no effect on the data residing in memory.
GAB GBA	43 2	I	Output enables. GAB, GBA control the transceiver functions. When GBA is low, A0–A8 are in the high-impedance state. When GAB is low, B0–B8 are in the high-impedance state.
$\overline{\text{RSTA}}$ $\overline{\text{RSTB}}$	22 23	I	Reset. A reset is accomplished in each direction by taking $\overline{\text{RSTA}}$ and $\overline{\text{RSTB}}$ low. This sets $\overline{\text{EMPTYA}}$, $\overline{\text{EMPTYB}}$, $\overline{\text{FULLA}}$, $\overline{\text{FULLB}}$, and AF/AEB high. Both FIFOs must be reset upon power up.
SAB SBA	44 1	I	Select-control inputs. SAB and SBA select whether real-time or stored data is transferred. A low level selects real-time data and a high level selects stored data. Eight fundamental bus-management functions can be performed as shown in Figure 2.
UNCKA UNCKB	26 19	I	Unload clocks. Data in FIFO A is read to B0–B8 on a low-to-high transition of UNCKA. Data in FIFO B is read to A0–A8 on a low-to-high transition of UNCKB. When the FIFOs are empty, UNCKA and UNCKB have no effect on data residing in memory.

† Terminals listed are for the FN package.

programming procedure for AF/AEA

The almost-full/almost-empty flags (AF/AEA, AF/AEB) are programmed during each reset cycle. The almost-full/almost-empty offset value for FIFO A (X) and for FIFO B (Y) is either a user-defined value or the default values of X = 256 and Y = 256. Below are instructions to program AF/AEA using both methods. AF/AEB is programmed in the same manner for FIFO B.

user-defined X

Take $\overline{\text{DAF}}$ from high to low. This stores A0–A8 as X.

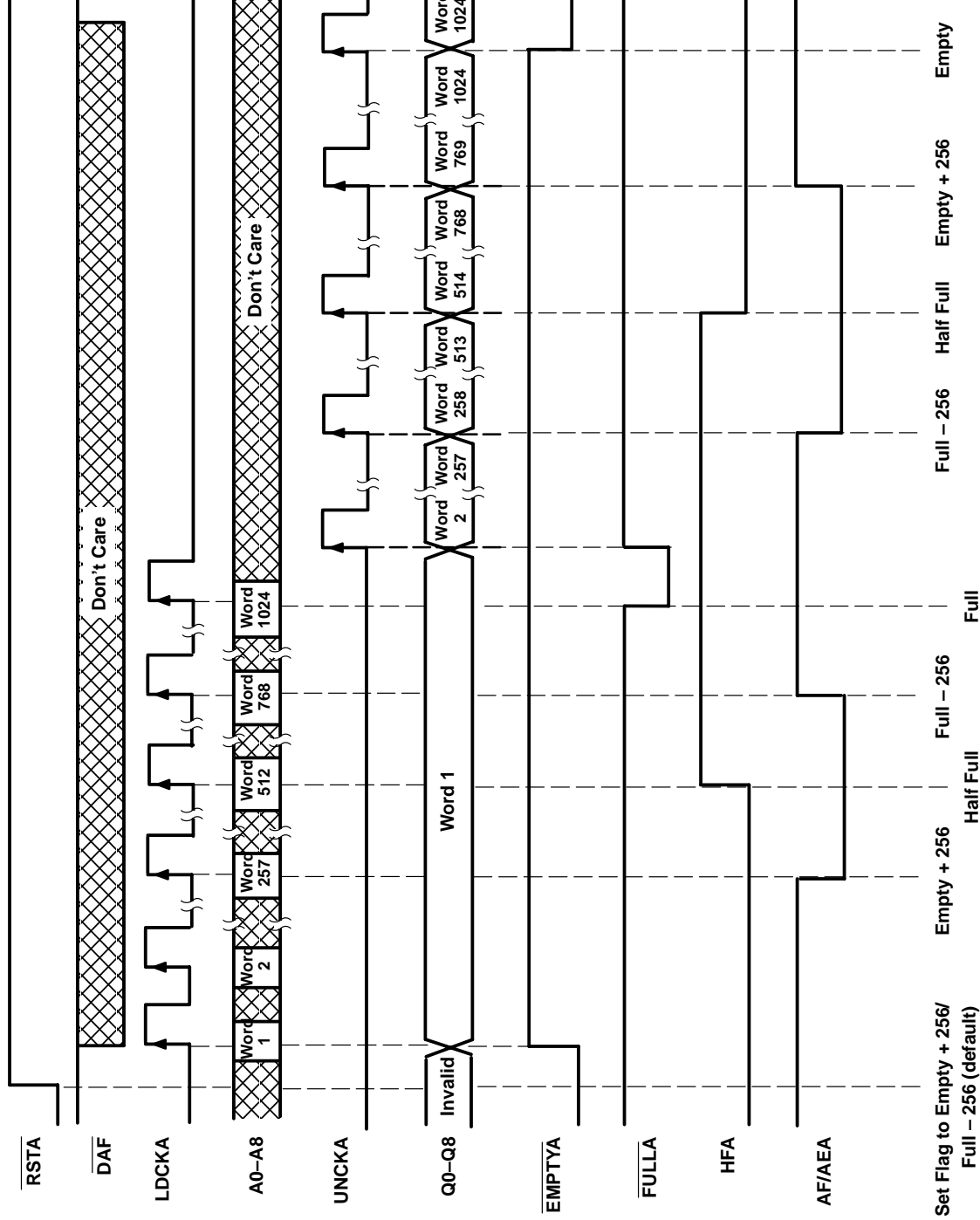
If $\overline{\text{RSTA}}$ is not already low, take $\overline{\text{RSTA}}$ low.

With $\overline{\text{DAF}}$ held low, take $\overline{\text{RSTA}}$ high. This defines AF/AEA using X.

To retain the current offset for the next reset, keep $\overline{\text{DAF}}$ low.

default X

To redefine AF/AE using the default value of X = 256, hold $\overline{\text{DAF}}$ high during the reset cycle.



† Operation of FIFO B is identical to that of FIFO A.

‡ Last valid data stays on outputs when FIFO goes empty due to a read.

Figure 1. Timing Diagram for FIFO A†

ASYNCHRONOUS BIDIRECTIONAL FIRST-IN, FIRST-OUT MEMORY

SCAS148F – DECEMBER 1990 – REVISED JUNE 2003

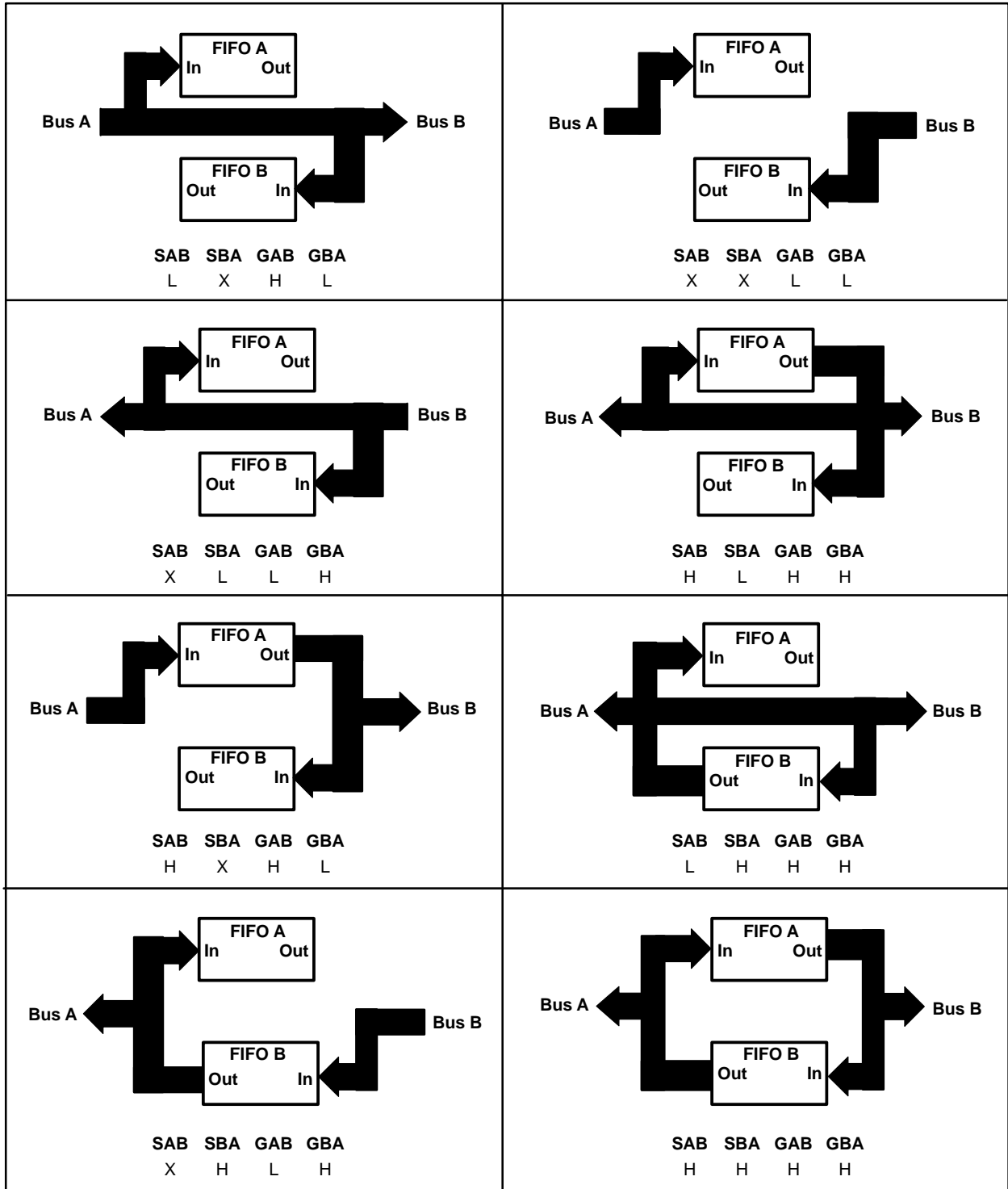


Figure 2. Bus-Management Functions

SELECT-MODE CONTROL

CONTROL		OPERATION	
SAB	SBA	A BUS	B BUS
L	L	Real-time B to A bus	Real-time A to B bus
L	H	FIFO B to A bus	Real-time A to B bus
H	L	Real-time B to A bus	FIFO A to B bus
H	H	FIFO B to A bus	FIFO A to B bus

OUTPUT-ENABLE CONTROL

CONTROL		OPERATION	
GAB	GBA	A BUS	B BUS
H	H	A bus enabled	B bus enabled
L	H	A bus enabled	Isolation/input to B bus
H	L	Isolation/input to A bus	B bus enabled
L	L	Isolation/input to A bus	Isolation/input to B bus

Figure 2. Bus-Management Functions (Continued)

absolute maximum ratings over operating free-air temperature range (unless otherwise noted)†

Supply voltage range, V_{CC}	-0.5 V to 7 V
Input voltage range, V_I : Control inputs	-0.5 V to 7 V
I/O ports	-0.5 V to 5.5 V
Voltage range applied to a disabled 3-state output	5.5 V
Package thermal impedance, θ_{JA} (see Note 1): FN package	46°C/W
PAG package	58°C/W
PM package	67°C/W
Storage temperature range, T_{stg}	-65°C to 150°C
Maximum junction temperature, T_J	150°C

† Stresses beyond those listed under “absolute maximum ratings” may cause permanent damage to the device. These are stress ratings only, and functional operation of the device at these or any other conditions beyond those indicated under “recommended operating conditions” is not implied. Exposure to absolute-maximum-rated conditions for extended periods may affect device reliability.

NOTE 1: The package thermal impedance is calculated in accordance with JESD 51.

recommended operating conditions

		ACT2235-20		ACT2235-30		ACT2235-40		ACT2235-60		UNIT
		MIN	MAX	MIN	MAX	MIN	MAX	MIN	MAX	
V_{CC}	Supply voltage	4.5	5.5	4.5	5.5	4.5	5.5	4.5	5.5	V
V_{IH}	High-level input voltage	2		2		2		2		V
V_{IL}	Low-level input voltage		0.8		0.8		0.8		0.8	V
I_{OH}	High-level output current	A or B ports		-8		-8		-8		mA
		Status flags		-8		-8		-8		
I_{OL}	Low-level output current	A or B ports		16		16		16		mA
		Status flags		8		8		8		
T_A	Operating free-air temperature	0	70	0	70	0	70	0	70	°C



ASYNCHRONOUS BIDIRECTIONAL FIRST-IN, FIRST-OUT MEMORY

SCAS148F – DECEMBER 1990 – REVISED JUNE 2003

electrical characteristics over recommended operating free-air temperature range (unless otherwise noted)

PARAMETER	TEST CONDITIONS		MIN	TYP†	MAX	UNIT
V_{OH}	$V_{CC} = 4.5\text{ V}$, $I_{OH} = -8\text{ mA}$		2.4			V
V_{OL}	Flags	$V_{CC} = 4.5\text{ V}$, $I_{OL} = 8\text{ mA}$			0.5	V
	I/O ports	$V_{CC} = 4.5\text{ V}$, $I_{OL} = 16\text{ mA}$			0.5	
I_I	$V_{CC} = 5.5\text{ V}$, $V_I = V_{CC}$ or 0				±5	μA
I_{OZ}	$V_{CC} = 5.5\text{ V}$, $V_O = V_{CC}$ or 0				±5	μA
$I_{CC}‡$	$V_I = V_{CC} - 0.2\text{ V}$ or 0		10	400		μA
$\Delta I_{CC}§$	$V_{CC} = 5.5\text{ V}$, One input at 3.4 V, Other inputs at V_{CC} or GND				1	mA
C_i	$V_I = 0$, $f = 1\text{ MHz}$				4	pF
C_o	$V_O = 0$, $f = 1\text{ MHz}$				8	pF

† All typical values are at $V_{CC} = 5\text{ V}$, $T_A = 25^\circ\text{C}$.

‡ I_{CC} is tested with outputs open.

§ This is the supply current when each input is at one of the specified TTL voltage levels, rather than 0 V or V_{CC} .

timing requirements over recommended operating conditions (unless otherwise noted) (see Figure 3)

			'ACT2235-20		'ACT2235-30		'ACT2235-40		'ACT2235-60		UNIT
			MIN	MAX	MIN	MAX	MIN	MAX	MIN	MAX	
f_{clock}	Clock frequency	LDCKA or LDCKB	50		33		25		16.7		MHz
		UNCKA or UNCKB	50		33		25		16.7		
t_w	Pulse duration	\overline{RSTA} or \overline{RSTB} low	20		20		25		25		ns
		LDCKA or LDCKB low	8		10		14		20		
		LDCKA or LDCKB high	8		10		14		20		
		UNCKA or UNCKB low	8		10		14		20		
		UNCKA or UNCKB high	8		10		14		20		
		\overline{DAF} or \overline{DBF} high	10		10		10		10		
t_{su}	Setup time	Data before LDCKA or LDCKB↑	4		4		5		5		ns
		Define AF/AE: $\overline{D0-D8}$ before \overline{DAF} or \overline{DBF} ↓	5		5		5		5		
		Define AF/AE: \overline{DAF} or \overline{DBF} ↓ before \overline{RSTA} or \overline{RSTB} ↑	7		7		7		7		
		Define AF/AE (default): \overline{DAF} or \overline{DBF} high before \overline{RSTA} or \overline{RSTB} ↑	5		5		5		5		
		\overline{RSTA} or \overline{RSTB} inactive (high) before LDCKA or LDCKB↑	5		5		5		5		
t_h	Hold time	Data after LDCKA or LDCKB↑	1		1		2		2		ns
		Define AF/AE: $\overline{D0-D8}$ after \overline{DAF} or \overline{DBF} ↓	0		0		0		0		
		Define AF/AE: \overline{DAF} or \overline{DBF} low after \overline{RSTA} or \overline{RSTB} ↑	0		0		0		0		
		Define AF/AE (default): \overline{DAF} or \overline{DBF} high after \overline{RSTA} or \overline{RSTB} ↑	0		0		0		0		

switching characteristics over recommended ranges of supply voltage and operating free-air temperature, C_L = 50 pF (unless otherwise noted) (see Figure 3)

PARAMETER	FROM (INPUT)	TO (OUTPUT)	'ACT2235-20		'ACT2235-30		'ACT2235-40		'ACT2235-60		UNIT	
			MIN	TYP†	MAX	MIN	MAX	MIN	MAX	MIN		MAX
f _{max}	LDCK		50			33			25		16.7	MHz
	UNCK		50			33			25		16.7	
t _{pd}	LDCK↑, LDCKB↑	B or A	8		22	8	22	8	24	8	26	ns
	UNCKA↑, UNCKB↑		12	17	25	12	25	12	35	12	45	
t _{PLH}	LDCK↑, LDCKB↑	EMPTYA, EMPTYB	4		15	4	15	4	17	4	19	ns
t _{PHL}	UNCKA↑, UNCKB↑	EMPTYA, EMPTYB	2		17	2	17	2	19	2	21	ns
	RSTA↓, RSTB↓		2		18	2	18	2	20	2	22	
	LDCK↑, LDCKB↑	FULLA, FULLB	4		15	4	15	4	17	4	19	
t _{PLH}	UNCKA↑, UNCKB↑	FULLA, FULLB	4		15	4	15	4	17	4	19	ns
	RSTA↓, RSTB↓	FULLA, FULLB	2		15	2	15	2	17	2	19	
	LDCK↑, LDCKB↑	HFA, HFB	2		15	2	15	2	17	2	19	
t _{PHL}	UNCKA↑, UNCKB↑	HFA, HFB	4		18	4	18	4	20	4	22	ns
	RSTA↓, RSTB↓		1		15	1	15	1	17	1	19	
t _{pd}	SAB or SBA‡	B or A	1		11	1	11	1	12	1	14	ns
	A or B		1		11	1	11	1	12	1	14	
	LDCK↑, LDCKB↑	AF/AEA, AF/AEB	2		18	2	18	2	20	2	22	
	UNCKA↑, UNCKB↑		2		18	2	18	2	20	2	22	
t _{en}	GBA or GAB	A or B	2		11	2	11	2	13	2	15	ns
t _{dis}	GBA or GAB	A or B	1		9	1	9	1	11	1	13	ns

† All typical values are at V_{CC} = 5 V, T_A = 25°C.

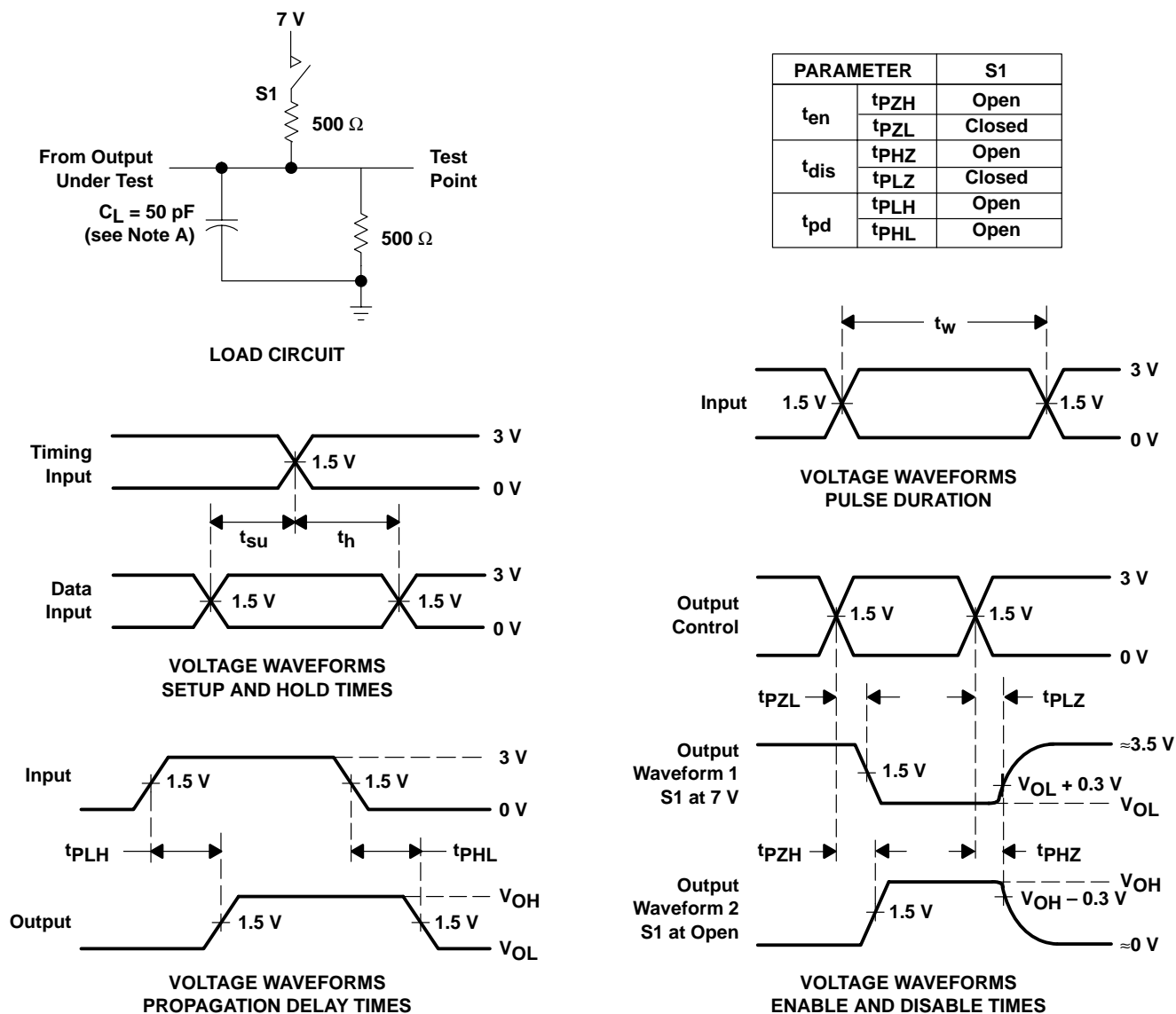
‡ These parameters are measured with the internal output state of the storage register opposite that of the bus input.

operating characteristics, V_{CC} = 5 V, T_A = 25°C

PARAMETER		TEST CONDITIONS	TYP	UNIT
C _{pd}	Power dissipation capacitance per 1K bits	Outputs enabled	71	pF
		Outputs disabled	57	



PARAMETER MEASUREMENT INFORMATION



NOTE A: C_L includes probe and jig capacitance.

Figure 3. Load Circuit and Voltage Waveforms

TYPICAL CHARACTERISTICS

PROPAGATION DELAY TIME
vs
LOAD CAPACITANCE

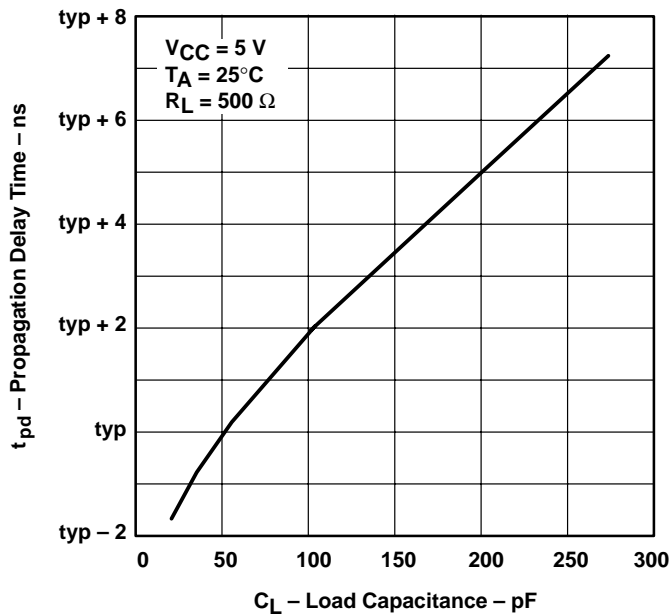


Figure 4

POWER-DISSIPATION CAPACITANCE
vs
SUPPLY VOLTAGE

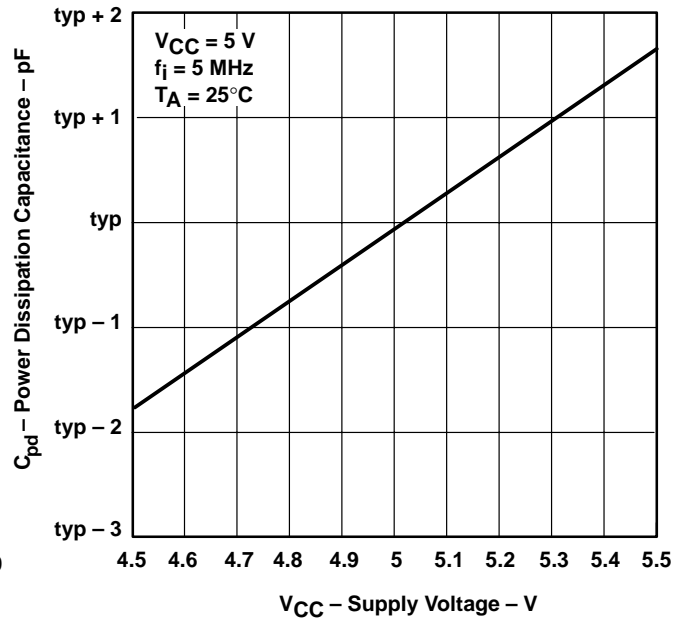


Figure 5

PACKAGING INFORMATION

Orderable Device	Status ⁽¹⁾	Package Type	Package Drawing	Pins	Package Qty	Eco Plan ⁽²⁾	Lead/Ball Finish	MSL Peak Temp ⁽³⁾
SN74ACT2235-20FN	ACTIVE	PLCC	FN	44	26	Green (RoHS & no Sb/Br)	CU NIPDAU	Level-3-260C-168 HR
SN74ACT2235-20PAG	ACTIVE	TQFP	PAG	64	160	Green (RoHS & no Sb/Br)	CU NIPDAU	Level-3-260C-168 HR
SN74ACT2235-20PM	OBSOLETE	LQFP	PM	64		TBD	Call TI	Call TI
SN74ACT2235-30FN	OBSOLETE	PLCC	FN	44		TBD	Call TI	Call TI
SN74ACT2235-30PAG	ACTIVE	TQFP	PAG	64	160	Green (RoHS & no Sb/Br)	CU NIPDAU	Level-3-260C-168 HR
SN74ACT2235-30PM	OBSOLETE	LQFP	PM	64		TBD	Call TI	Call TI
SN74ACT2235-40FN	ACTIVE	PLCC	FN	44	26	Green (RoHS & no Sb/Br)	CU NIPDAU	Level-3-260C-168 HR
SN74ACT2235-40PAG	ACTIVE	TQFP	PAG	64	160	Green (RoHS & no Sb/Br)	CU NIPDAU	Level-3-260C-168 HR
SN74ACT2235-40PM	OBSOLETE	LQFP	PM	64		TBD	Call TI	Call TI
SN74ACT2235-60FN	ACTIVE	PLCC	FN	44	26	Green (RoHS & no Sb/Br)	CU NIPDAU	Level-3-260C-168 HR
SN74ACT2235-60PAG	ACTIVE	TQFP	PAG	64	160	Green (RoHS & no Sb/Br)	CU NIPDAU	Level-3-260C-168 HR
SN74ACT2235-60PM	OBSOLETE	LQFP	PM	64		TBD	Call TI	Call TI

⁽¹⁾ The marketing status values are defined as follows:

ACTIVE: Product device recommended for new designs.

LIFEBUY: TI has announced that the device will be discontinued, and a lifetime-buy period is in effect.

NRND: Not recommended for new designs. Device is in production to support existing customers, but TI does not recommend using this part in a new design.

PREVIEW: Device has been announced but is not in production. Samples may or may not be available.

OBSOLETE: TI has discontinued the production of the device.

⁽²⁾ Eco Plan - The planned eco-friendly classification: Pb-Free (RoHS), Pb-Free (RoHS Exempt), or Green (RoHS & no Sb/Br) - please check <http://www.ti.com/productcontent> for the latest availability information and additional product content details.

TBD: The Pb-Free/Green conversion plan has not been defined.

Pb-Free (RoHS): TI's terms "Lead-Free" or "Pb-Free" mean semiconductor products that are compatible with the current RoHS requirements for all 6 substances, including the requirement that lead not exceed 0.1% by weight in homogeneous materials. Where designed to be soldered at high temperatures, TI Pb-Free products are suitable for use in specified lead-free processes.

Pb-Free (RoHS Exempt): This component has a RoHS exemption for either 1) lead-based flip-chip solder bumps used between the die and package, or 2) lead-based die adhesive used between the die and leadframe. The component is otherwise considered Pb-Free (RoHS compatible) as defined above.

Green (RoHS & no Sb/Br): TI defines "Green" to mean Pb-Free (RoHS compatible), and free of Bromine (Br) and Antimony (Sb) based flame retardants (Br or Sb do not exceed 0.1% by weight in homogeneous material)

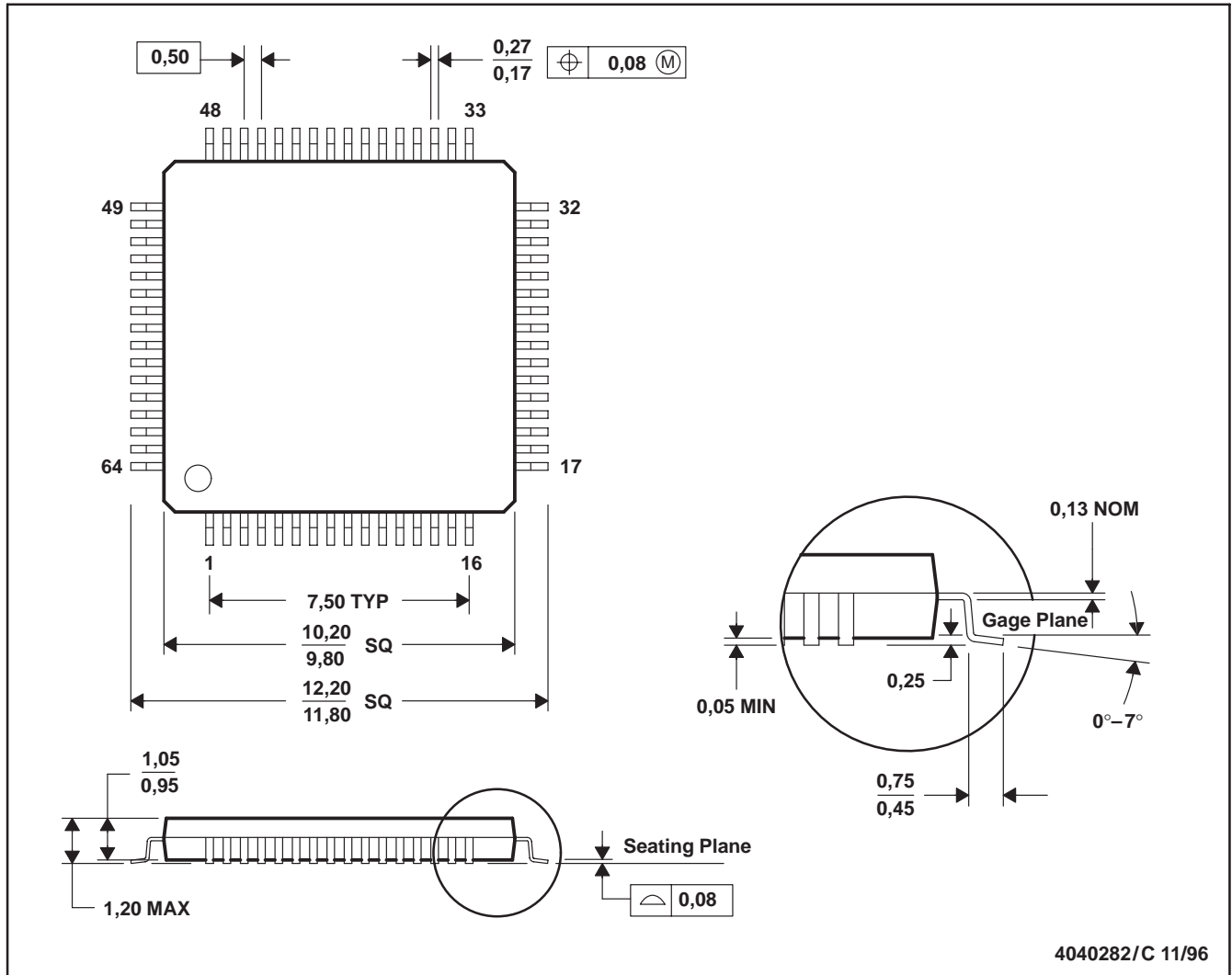
⁽³⁾ MSL, Peak Temp. -- The Moisture Sensitivity Level rating according to the JEDEC industry standard classifications, and peak solder temperature.

Important Information and Disclaimer: The information provided on this page represents TI's knowledge and belief as of the date that it is provided. TI bases its knowledge and belief on information provided by third parties, and makes no representation or warranty as to the accuracy of such information. Efforts are underway to better integrate information from third parties. TI has taken and continues to take reasonable steps to provide representative and accurate information but may not have conducted destructive testing or chemical analysis on incoming materials and chemicals. TI and TI suppliers consider certain information to be proprietary, and thus CAS numbers and other limited information may not be available for release.

In no event shall TI's liability arising out of such information exceed the total purchase price of the TI part(s) at issue in this document sold by TI to Customer on an annual basis.

PAG (S-PQFP-G64)

PLASTIC QUAD FLATPACK

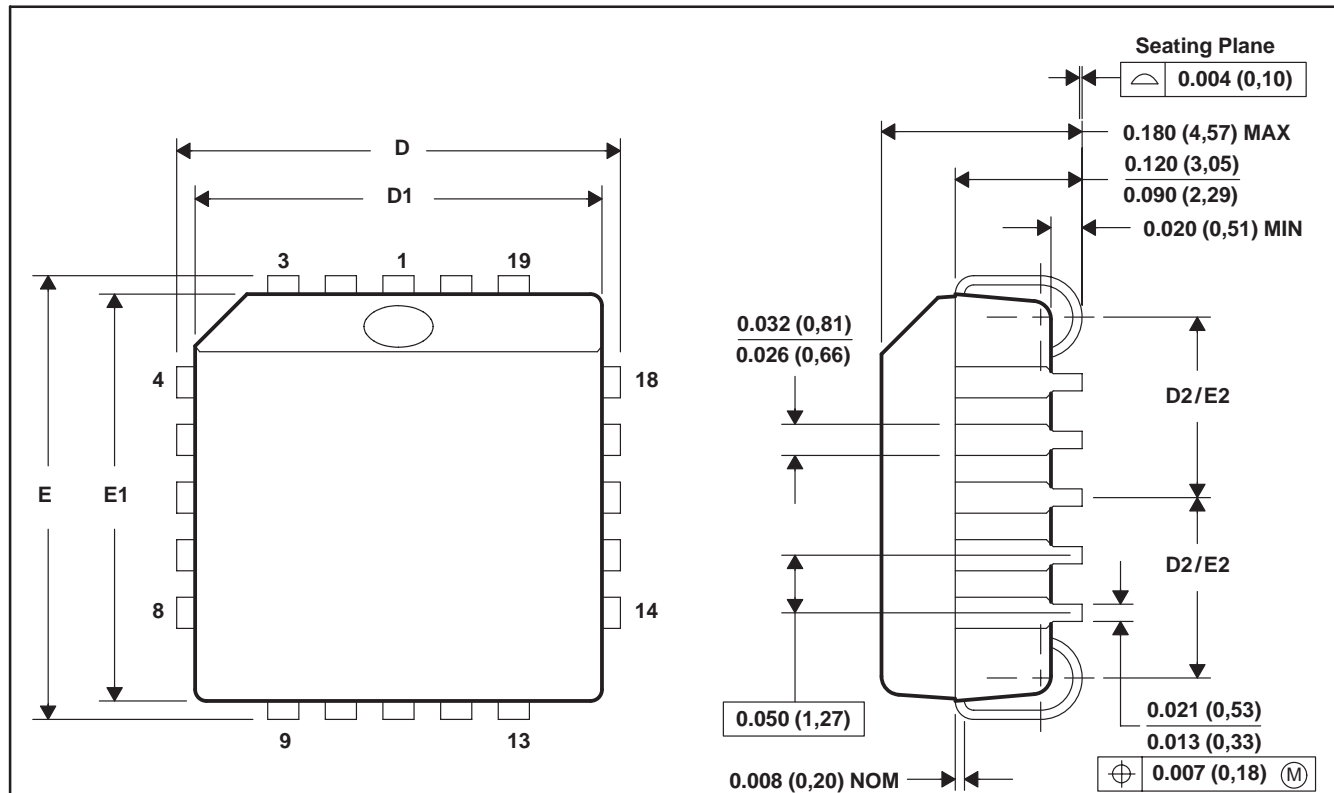


- NOTES: A. All linear dimensions are in millimeters.
 B. This drawing is subject to change without notice.
 C. Falls within JEDEC MS-026

FN (S-PQCC-J**)

PLASTIC J-LEADED CHIP CARRIER

20 PIN SHOWN



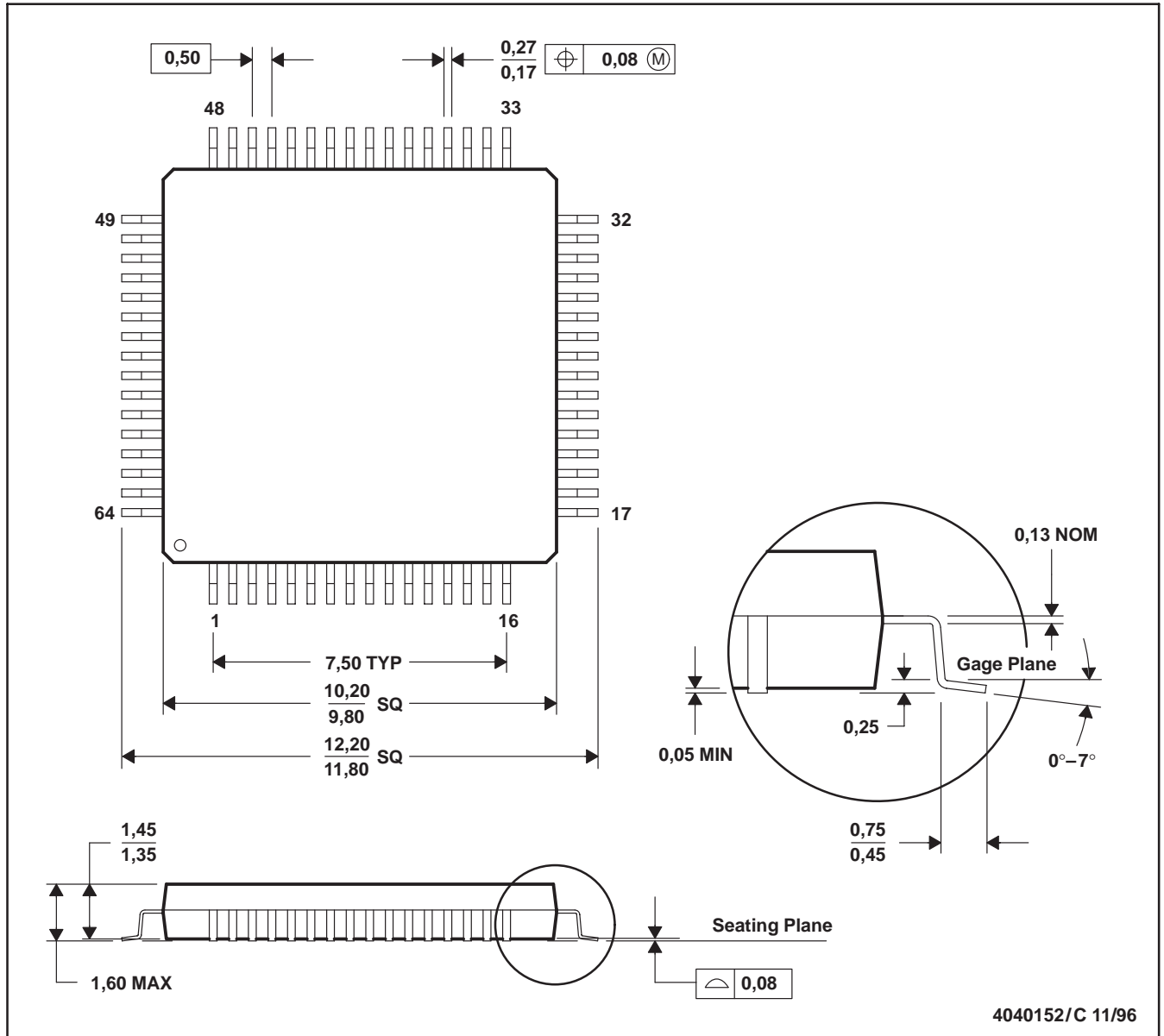
NO. OF PINS **	D/E		D1/E1		D2/E2	
	MIN	MAX	MIN	MAX	MIN	MAX
20	0.385 (9,78)	0.395 (10,03)	0.350 (8,89)	0.356 (9,04)	0.141 (3,58)	0.169 (4,29)
28	0.485 (12,32)	0.495 (12,57)	0.450 (11,43)	0.456 (11,58)	0.191 (4,85)	0.219 (5,56)
44	0.685 (17,40)	0.695 (17,65)	0.650 (16,51)	0.656 (16,66)	0.291 (7,39)	0.319 (8,10)
52	0.785 (19,94)	0.795 (20,19)	0.750 (19,05)	0.756 (19,20)	0.341 (8,66)	0.369 (9,37)
68	0.985 (25,02)	0.995 (25,27)	0.950 (24,13)	0.958 (24,33)	0.441 (11,20)	0.469 (11,91)
84	1.185 (30,10)	1.195 (30,35)	1.150 (29,21)	1.158 (29,41)	0.541 (13,74)	0.569 (14,45)

4040005/B 03/95

- NOTES: A. All linear dimensions are in inches (millimeters).
 B. This drawing is subject to change without notice.
 C. Falls within JEDEC MS-018

PM (S-PQFP-G64)

PLASTIC QUAD FLATPACK



- NOTES: A. All linear dimensions are in millimeters.
 B. This drawing is subject to change without notice.
 C. Falls within JEDEC MS-026
 D. May also be thermally enhanced plastic with leads connected to the die pads.

IMPORTANT NOTICE

Texas Instruments Incorporated and its subsidiaries (TI) reserve the right to make corrections, modifications, enhancements, improvements, and other changes to its products and services at any time and to discontinue any product or service without notice. Customers should obtain the latest relevant information before placing orders and should verify that such information is current and complete. All products are sold subject to TI's terms and conditions of sale supplied at the time of order acknowledgment.

TI warrants performance of its hardware products to the specifications applicable at the time of sale in accordance with TI's standard warranty. Testing and other quality control techniques are used to the extent TI deems necessary to support this warranty. Except where mandated by government requirements, testing of all parameters of each product is not necessarily performed.

TI assumes no liability for applications assistance or customer product design. Customers are responsible for their products and applications using TI components. To minimize the risks associated with customer products and applications, customers should provide adequate design and operating safeguards.

TI does not warrant or represent that any license, either express or implied, is granted under any TI patent right, copyright, mask work right, or other TI intellectual property right relating to any combination, machine, or process in which TI products or services are used. Information published by TI regarding third-party products or services does not constitute a license from TI to use such products or services or a warranty or endorsement thereof. Use of such information may require a license from a third party under the patents or other intellectual property of the third party, or a license from TI under the patents or other intellectual property of TI.

Reproduction of TI information in TI data books or data sheets is permissible only if reproduction is without alteration and is accompanied by all associated warranties, conditions, limitations, and notices. Reproduction of this information with alteration is an unfair and deceptive business practice. TI is not responsible or liable for such altered documentation. Information of third parties may be subject to additional restrictions.

Resale of TI products or services with statements different from or beyond the parameters stated by TI for that product or service voids all express and any implied warranties for the associated TI product or service and is an unfair and deceptive business practice. TI is not responsible or liable for any such statements.

TI products are not authorized for use in safety-critical applications (such as life support) where a failure of the TI product would reasonably be expected to cause severe personal injury or death, unless officers of the parties have executed an agreement specifically governing such use. Buyers represent that they have all necessary expertise in the safety and regulatory ramifications of their applications, and acknowledge and agree that they are solely responsible for all legal, regulatory and safety-related requirements concerning their products and any use of TI products in such safety-critical applications, notwithstanding any applications-related information or support that may be provided by TI. Further, Buyers must fully indemnify TI and its representatives against any damages arising out of the use of TI products in such safety-critical applications.

TI products are neither designed nor intended for use in military/aerospace applications or environments unless the TI products are specifically designated by TI as military-grade or "enhanced plastic." Only products designated by TI as military-grade meet military specifications. Buyers acknowledge and agree that any such use of TI products which TI has not designated as military-grade is solely at the Buyer's risk, and that they are solely responsible for compliance with all legal and regulatory requirements in connection with such use.

TI products are neither designed nor intended for use in automotive applications or environments unless the specific TI products are designated by TI as compliant with ISO/TS 16949 requirements. Buyers acknowledge and agree that, if they use any non-designated products in automotive applications, TI will not be responsible for any failure to meet such requirements.

Following are URLs where you can obtain information on other Texas Instruments products and application solutions:

Products

Amplifiers	amplifier.ti.com
Data Converters	dataconverter.ti.com
DLP® Products	www.dlp.com
DSP	dsp.ti.com
Clocks and Timers	www.ti.com/clocks
Interface	interface.ti.com
Logic	logic.ti.com
Power Mgmt	power.ti.com
Microcontrollers	microcontroller.ti.com
RFID	www.ti-rfid.com
RF/IF and ZigBee® Solutions	www.ti.com/lprf

Applications

Audio	www.ti.com/audio
Automotive	www.ti.com/automotive
Broadband	www.ti.com/broadband
Digital Control	www.ti.com/digitalcontrol
Medical	www.ti.com/medical
Military	www.ti.com/military
Optical Networking	www.ti.com/opticalnetwork
Security	www.ti.com/security
Telephony	www.ti.com/telephony
Video & Imaging	www.ti.com/video
Wireless	www.ti.com/wireless

Mailing Address: Texas Instruments, Post Office Box 655303, Dallas, Texas 75265
Copyright © 2009, Texas Instruments Incorporated

Looking for pricing, stock, or lifecycle information?

Click below to explore more details on WIN SOURCE:

 [View SN74ACT2235-20FN on WIN SOURCE](#)

 [Texas Instruments](#) Information

Optimize Your Supply Chain with WIN SOURCE Solutions

-  Global Sourcing Solution
-  Obsolete Management
-  Cost Control Management
-  Shortage Management
-  Alternative Solution
-  Excess Inventory Management