



**THE DATASHEET OF
UCC28083PW**



8-PIN CURRENT MODE PUSH-PULL PWM CONTROLLERS WITH PROGRAMMABLE SLOPE COMPENSATION

FEATURES

- Programmable Slope Compensation
- Internal Soft-Start on the UCC38083/4
- Cycle-by-Cycle Current Limiting
- Low Start-Up Current of 120 μ A and 1.5 mA Typical Run Current
- Single External Component Oscillator Programmable from 50 kHz to 1 MHz
- High-Current Totem-Pole Dual Output Stage Drives Push-Pull Configuration with 1-A Sink and 0.5-A Source Capability
- Current Sense Discharge Transistor to Improve Dynamic Response
- Internally Trimmed Bandgap Reference
- Undervoltage Lockout with Hysteresis

APPLICATIONS

- High-Efficiency Switch-Mode Power Supplies
- Telecom dc-to-dc Converters
- Point-of-Load or Point-of-Use Power Modules
- Low-Cost Push-Pull and Half-Bridge Applications

DESCRIPTION

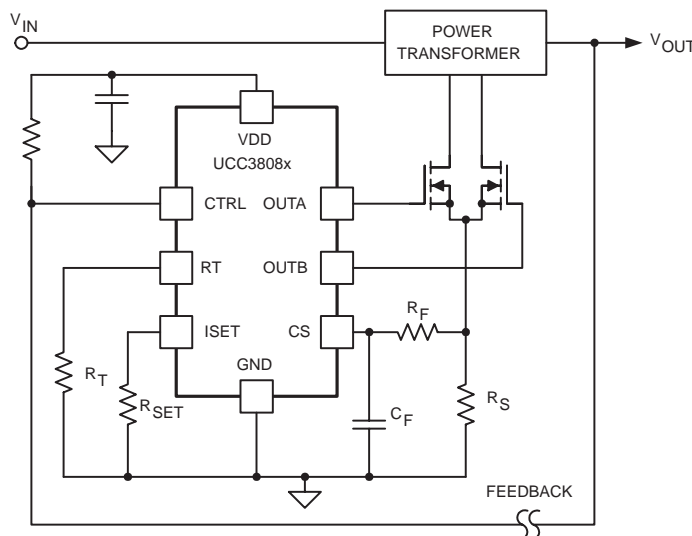
The UCC38083/4/5/6 is a family of BiCMOS pulse width modulation (PWM) controllers for dc-to-dc or off-line fixed-frequency current-mode switching power supplies. The dual output stages are configured for the push-pull topology. Both outputs switch at half the oscillator frequency using a toggle flip-flop. The dead time between the two outputs is typically 110 ns, limiting each output's duty cycle to less than 50%.

The new UCC3808x family is based on the UCC3808A architecture. The major differences include the addition of a programmable slope compensation ramp to the CS signal and the removal of the error amplifier. The current flowing out of the ISET pin through an external resistor is monitored internally to set the magnitude of the slope compensation function. This device also includes an internal discharge transistor from the CS pin to ground, which is activated at each clock cycle after the pulse is terminated. This discharges any filter capacitance on the CS pin during each cycle and helps minimize filter capacitor values and current sense delay.

The UCC38083 and the UCC38084 devices have a typical soft-start interval time of 3.5 ms while the UCC38085 and the UCC38086 has less than 100 μ s for applications where internal soft-start is not desired.

The UCC38083 and the UCC38085 devices have the turn-on/off thresholds of 12.5 V / 8.3 V, while the UCC38084 and the UCC38086 has the turn-on/off thresholds of 4.3 V / 4.1 V. Each device is offered in 8-pin TSSOP (PW), 8-pin SOIC (D) and 8-pin PDIP (P) packages.

BASIC APPLICATION



UDG-01080



Please be aware that an important notice concerning availability, standard warranty, and use in critical applications of Texas Instruments semiconductor products and disclaimers thereto appears at the end of this data sheet.

UCC28083, UCC28084, UCC28085, UCC28086 UCC38083, UCC38084, UCC38085, UCC38086

SLUS488E – SEPTEMBER 2002 – REVISED JULY 2009

ORDERING INFORMATION

THERMAL RESISTANCE TABLE

PACKAGE	$\theta_{jc} (^{\circ}\text{C}/\text{W})$	$\theta_{ja} (^{\circ}\text{C}/\text{W})$
SOIC-8 (D)	42	84 to 160 ⁽¹⁾
PDIP-8 (P)	50	110 ⁽¹⁾
TSSOP-8 (PW)	32 ⁽²⁾	232 to 257 ⁽²⁾

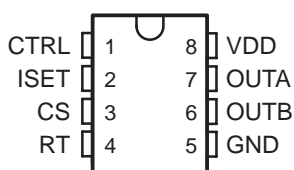
- NOTES: (1) Specified θ_{ja} (junction to ambient) is for devices mounted to 5-inch² FR4 PC board with one ounce copper where noted. When resistance range is given, lower values are for 5 inch² aluminum PC board. Test PWB was 0.062 inch thick and typically used 0.635-mm trace widths for power packages and 1.3-mm trace widths for non-power packages with a 100-mil x 100-mil probe land area at the end of each trace.
- (2). Modeled data. If value range given for θ_{ja} , lower value is for 3x3 inch, 1 oz internal copper ground plane, higher value is for 1x1-inch, ground plane. All model data assumes only one trace for each non-fused lead.

AVAILABLE OPTIONS

T _A	INTERNAL SOFT START	UVLO		PACKAGES		
		ON	OFF	SOIC-8 (D)	PDIP-8 (P)	TSSOP-8 (PW)
-40°C to 85°C	3.5 ms	12.5 V	8.3 V	UCC28083D	UCC28083P	UCC28083PW
		4.3 V	4.1 V	UCC28084D	UCC28084P	UCC28084PW
	75 μ s	12.5 V	8.3 V	UCC28085D	UCC28085P	UCC28085PW
		4.3 V	4.1 V	UCC28086D	UCC28086P	UCC28086PW
0°C to 70°C	3.5 ms	12.5 V	8.3 V	UCC38083D	UCC38083P	UCC38083PW
		4.3 V	4.1 V	UCC38084D	UCC38084P	UCC38084PW
	75 μ s	12.5 V	8.3 V	UCC38085D	UCC38085P	UCC38085PW
		4.3 V	4.1 V	UCC38086D	UCC38086P	UCC38086PW

† The D and PW packages are available taped and reeled. Add R suffix to device type, e.g. UCC28083DR (2500 devices per reel) or UCC38083PWR (2000 devices per reel).

**D OR P PACKAGE
(TOP VIEW)**



**PW PACKAGE
(TOP VIEW)**



absolute maximum ratings over operating free-air temperature (unless otherwise noted)†

Supply voltage, V_{DD} ($I_{DD} < 10$ mA)	15 V
Supply current, I_{DD}	20 mA
Sink current (peak):	
OUTA	1.0 A
OUTB	1.0 A
Source current (peak):	
OUTA	-0.5 A
OUTB	-0.5 A
Analog inputs:	
CTRL	-0.3 V to $V_{DD} + 0.3$ V
CS	-0.3 V to $V_{DD} + 0.3$ V, not to exceed 6 V
R_{SET} (minimum)	>5 k Ω
R_T ($-100 \mu A < I_{RT} < 100 \mu A$)	-0.3 V to 2.0 V
Power dissipation at $T_A = 25^\circ C$ (P package)	1 W
Power dissipation at $T_A = 25^\circ C$ (D package)	650 mW
Power dissipation at $T_A = 25^\circ C$ (PW package)	400 mW
Junction operating temperature, T_J	-55°C to 150°C
Storage temperature, T_{stg}	-65°C to 150°C
Lead temperature (soldering 10 seconds)	300°C

† Stresses beyond those listed under “absolute maximum ratings” may cause permanent damage to the device. These are stress ratings only, and functional operation of the device at these or any other conditions beyond those indicated under “recommended operating conditions” is not implied. Exposure to absolute-maximum-rated conditions for extended periods may affect device reliability. All voltages are with respect to GND. Currents are positive into, and negative out of the specified terminal.

electrical characteristics over recommended operating virtual junction temperature range, $V_{DD} = 10$ V (See Note 1), 1- μF capacitor from VDD to GND, $R_T = 165$ k Ω , $R_F = 1$ k Ω , $C_F = 220$ pF, $R_{SET} = 50$ k Ω , $T_A = -40^\circ C$ to $85^\circ C$ for UCC2808x, $T_A = 0^\circ C$ to $70^\circ C$ for UCC3808x, $T_A = T_J$ (unless otherwise noted)

overall

PARAMETER	TEST CONDITIONS	MIN	TYP	MAX	UNITS
Start-up current	$V_{DD} < UVLO$ start threshold voltage		120	200	μA
Supply current	CTRL = 0 V, CS = 0 V, See Note 1		1.5	2.5	mA

undervoltage lockout

PARAMETER		TEST CONDITIONS	MIN	TYP	MAX	UNITS
Start threshold voltage	UCC38083/5	See Note 1	11.5	12.5	13.5	V
	UCC38084/6		4.1	4.3	4.5	
Minimum operating voltage after start	UCC38083/5		7.6	8.3	9.0	
	UCC38084/6		3.9	4.1	4.3	
Hysteresis voltage	UCC38083/5		3.5	4.2	5.1	
	UCC38084/6		0.1	0.2	0.3	

oscillator

PARAMETER	TEST CONDITIONS	MIN	TYP	MAX	UNITS
Frequency	$2 \times f(OUTA)$	180	200	220	kHz
Voltage amplitude	See Note 2	1.4	1.5	1.6	V
Oscillator fall time (dead time)			110	220	ns
RT pin voltage		1.2	1.5	1.6	V

UCC28083, UCC28084, UCC28085, UCC28086 UCC38083, UCC38084, UCC38085, UCC38086

SLUS488E – SEPTEMBER 2002 – REVISED JULY 2009

electrical characteristics over recommended operating virtual junction temperature range, $V_{DD} = 10\text{ V}$ (See Note 1), $1\text{-}\mu\text{F}$ capacitor from VDD to GND, $R_T = 165\text{ k}\Omega$, $R_F = 1\text{ k}\Omega$, $C_F = 220\text{ pF}$, $R_{SET} = 50\text{ k}\Omega$, $T_A = -40^\circ\text{C}$ to 85°C for UCC2808x, $T_A = 0^\circ\text{C}$ to 70°C for UCC3808x, $T_A = T_J$ (unless otherwise noted)

current sense

PARAMETER	TEST CONDITIONS	MIN	TYP	MAX	UNITS
Gain	See Note 3	1.9	2.2	2.5	V/V
Maximum input signal voltage	CTRL = 5 V, See Note 4	0.47	0.52	0.57	V
CS to output delay time	CTRL = 3.5 V, $0\text{ mV} \leq \text{CS} \leq 600\text{ mV}$		100	200	ns
Source current		-200			nA
Sink current	CS = 0.5 V, RT = 2.0 V, See Note 5	3	7	12	mA
Overcurrent threshold voltage		0.70	0.75	0.80	V
CTRL to CS offset voltage	CS = 0 V, 25°C	0.55	0.70	0.90	V
	CS = 0 V	0.37	0.70	1.10	V

pulse width modulation

PARAMETER	TEST CONDITIONS	MIN	TYP	MAX	UNITS
Maximum duty cycle	Measured at OUTA or OUTB, See Note 7	48%	49%	50%	
Minimum duty cycle	CTRL = 0 V			0%	

output

PARAMETER	TEST CONDITIONS	MIN	TYP	MAX	UNITS
Low-level output voltage (OUTA or OUTB)	$I_{OUT} = 100\text{ mA}$		0.5	1.0	V
High-level output voltage (OUTA or OUTB)	$I_{OUT} = -50\text{ mA}$, $(V_{DD} - V_{OUT})$, See Note 6		0.5	1.0	
Rise time	$C_{LOAD} = 1\text{ nF}$		25	60	ns
Fall time	$C_{LOAD} = 1\text{ nF}$		25	60	

soft-start

PARAMETER	TEST CONDITIONS	MIN	TYP	MAX	UNITS
OUTA/OUTB soft-start interval time, UCC38083/4	CTRL = 1.8 V, CS = 0 V, Duty cycle from 0 to full, See Note 8	1.3	3.5	8.5	ms
OUTA/OUTB soft-start interval time, UCC38085/6	CTRL = 1.8 V, CS = 0 V, Duty cycle from 0 to full, See Note 8	30	75	110	μs

slope compensation

PARAMETER	TEST CONDITIONS	MIN	TYP	MAX	UNITS
$I_{RAMP, peak}$	$I_{SET, peak} = 30\text{ }\mu\text{A}$, Full duty cycle	125	150	175	μA

NOTE 1: For UCCx8083/5, set VDD above the start threshold before setting to 10 V.

NOTE 2: Measured at ISET pin.

NOTE 3: Gain is defined by $A = \frac{\Delta V_{CTRL}}{\Delta V_{CS}}$, $0 \leq V_{CS} \leq 0.4\text{ V}$.

NOTE 4: Measured at trip point of latch with CS ramped from 0.4 V to 0.6 V.

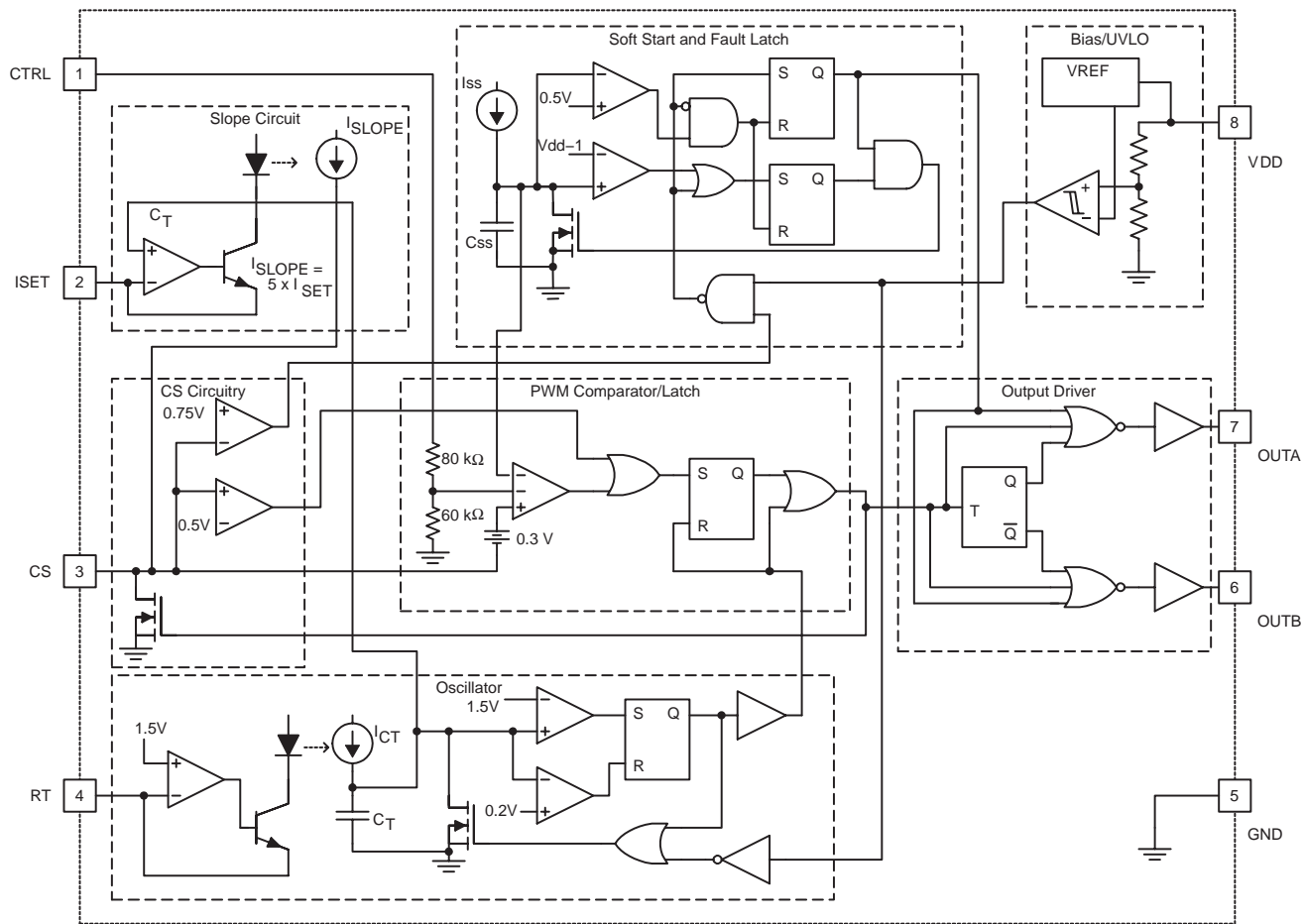
NOTE 5: This internal current sink on the CS pin is designed to discharge and external filter capacitor. It is not intended to be a dc sink path.

NOTE 6: Not 100% production tested. Ensured by design and also by the rise time test.

NOTE 7: For devices in PW package, parameter tested at wafer probe.

NOTE 8: Ensured by design.

functional block diagram



UDG-01081

Terminal Functions

TERMINAL		I/O	DESCRIPTION
NAME	PACKAGE D OR P		
CS	3	I	The current-sense input to the PWM comparator, the cycle-by-cycle peak current comparator, and the overcurrent comparator. The overcurrent comparator is only intended for fault sensing. Exceeding the overcurrent threshold causes a soft-start cycle. An internal MOSFET discharges the current-sense filter capacitor to improve dynamic performance of the power converter.
CTRL	1	I	Error voltage input to PWM comparator.
GND	5	–	Reference ground and power ground for all functions. Due to high currents, and high-frequency operation of the IC, a low-impedance circuit board ground plane is highly recommended.
ISET	2	I	Current selection for slope compensation.
OUTA	7	O	Alternating high-current output stages.
OUTB	6	O	
RT	4	I	Programs the oscillator.
VDD	8	I	Power input connection.

detailed pin descriptions

CTRL: The error voltage is typically generated by a secondary-side error amplifier and transmitted to the primary-side referenced UCC3808x by means of an opto-coupler. CTRL has an internal divider ratio of 0.45 to maintain a usable range with the minimum V_{DD} of 4.1 V. The UCC38083/UCC38084 family features a built-in full-cycle soft start while the UCC38085/6 does not.

For the UCC38083/4, soft-start is implemented as a clamp at the input to the PWM comparator. This causes the output pulses to start near 0% duty cycle and increase until the clamp exceeds the CTRL voltage.

ISET: Program the slope compensation current ramp by connecting a resistor, RSET, from ISET to ground. The voltage of the ISET pin tracks the 1.5-V internal oscillator ramp, as shown in Figure 1.

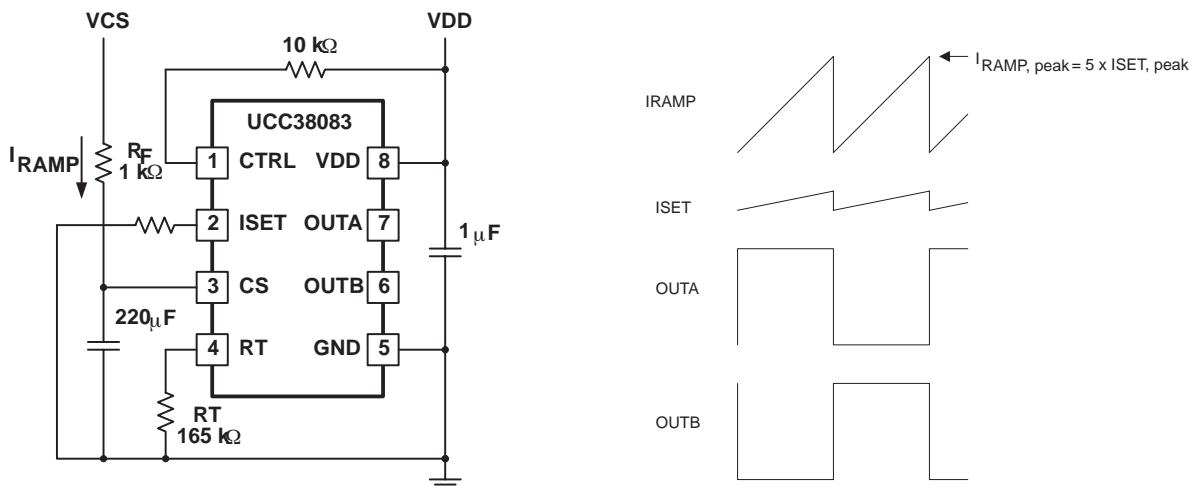


Figure 1. Full Duty Cycle Output

The compensating current source, I_{SLOPE} , at the CS pin is proportional to the ISET current, according to the relation:

$$I_{SLOPE} = 5 \times I_{SET} \tag{1}$$

The ramping current due to I_{SLOPE} develops a voltage across the effective filter impedance that is normally connected from the current sense resistor to the CS input. In order to program a desired compensating slope with a specific peak compensating ramp voltage at the CS pin, use the RSET value in the following equation:

$$RSET = V_{OSC(peak)} \times \left(\frac{5 \times R_F}{RAMP \text{ VOLTAGE HEIGHT}} \right) \tag{2}$$

Where $V_{OSC(peak)} = 1.5 \text{ V}$

Notice that the PWM Latch drives an internal MOSFET that will discharge an external filtering capacitor on the CS pin. Thus, I_{SLOPE} will appear to terminate when the PWM comparator or the cycle-by-cycle current limit comparator sets the PWM latch. The actual compensating slope is not affected by premature termination of the switching cycle.

detailed pin descriptions (continued)

OUTA and OUTB: Alternating high-current output stages. Both stages are capable of driving the gate of a power MOSFET. Each stage is capable of 500-mA peak-source current, and 1-A peak-sink current.

The output stages switch at half the oscillator frequency, in a push-pull configuration. When the voltage on the internal oscillator capacitor is rising, one of the two outputs is high, but during fall time, both outputs are off. This dead time between the two outputs, along with a slower output rise time than fall time, ensures that the two outputs cannot be on at the same time. This dead time is typically 110 ns.

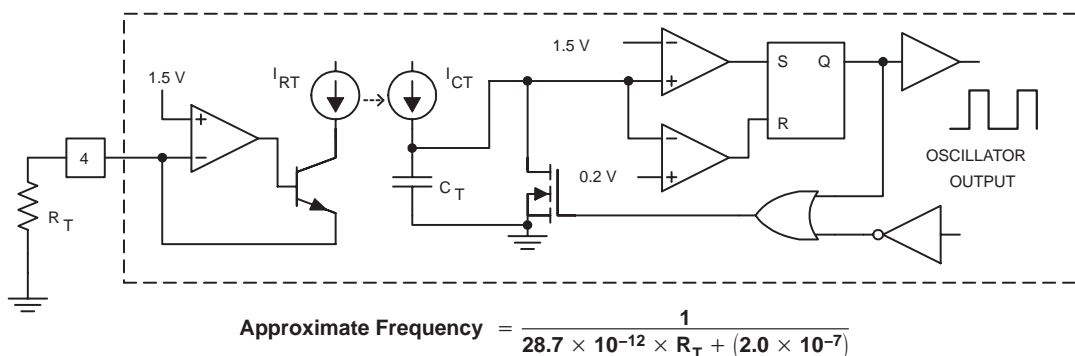
The high-current output drivers consist of MOSFET output devices, which switch from VDD to GND. Each output stage also provides a very low impedance to overshoot and undershoot. This means that in many cases, external Schottky clamp diodes are not required.

RT: The oscillator programming pin. The oscillator features an internal timing capacitor. An external resistor, R_T , sets a current from the RT pin to ground. Due to variations in the internal C_T , nominal V_{RT} of 1.5 V can vary from 1.2 V to 1.6 V

Selecting RT as shown programs the oscillator frequency:

$$R_T = \frac{1}{28.7 \times 10^{-12}} \left(\frac{1}{f_{OSC}} - 2.0 \times 10^{-7} \right) \tag{3}$$

where f_{OSC} is in Hz, resistance in Ω . The recommended range of timing resistors is between 25 k Ω and 698 k Ω . For best performance, keep the timing resistor lead from the RT pin to GND (pin 5) as short as possible.



UDG-01083

Figure 2. Block Diagram for Oscillator

VDD: The power input connection for this device. Although quiescent VDD current is very low, total supply current may be higher, depending on OUTA and OUTB current, and the programmed oscillator frequency. Total VDD current is the sum of quiescent VDD current and the average OUT current. Knowing the operating frequency and the MOSFET gate charge (Q_G), average OUT current can be calculated from:

$$I_{OUT} = Q_G \times f_{OSC} \tag{4}$$

where f is the oscillator frequency.

To prevent noise problems, bypass VDD to GND with a ceramic capacitor as close to the chip as possible along with an electrolytic capacitor. A 1- μ F decoupling capacitor is recommended.

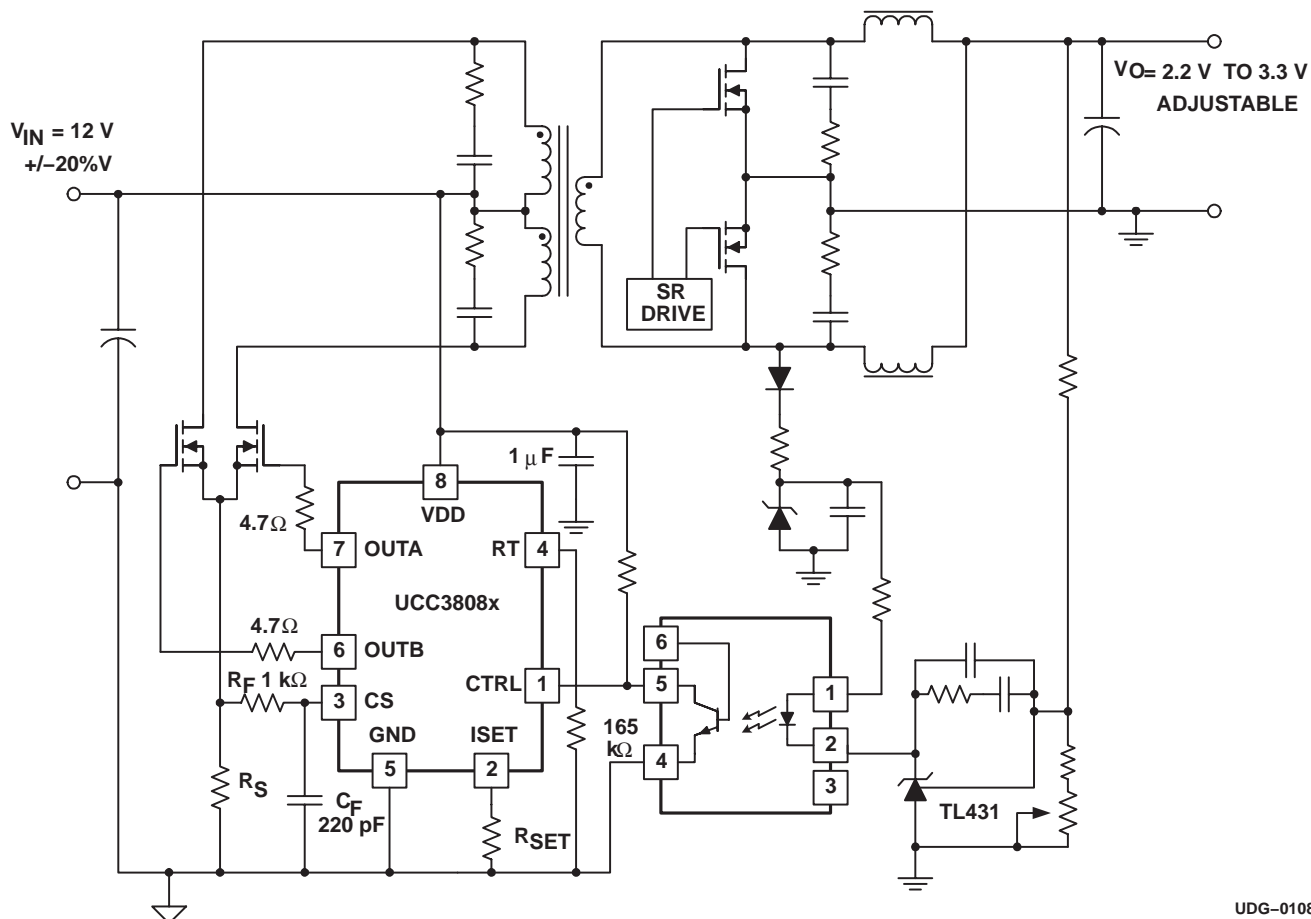
UCC28083, UCC28084, UCC28085, UCC28086 UCC38083, UCC38084, UCC38085, UCC38086

SLUS488E – SEPTEMBER 2002 – REVISED JULY 2009

APPLICATION INFORMATION

The following application circuit shows an isolated 12- V_{IN} to 2.5 V_{OUT} push-pull converter with scalable output power (20 W to 200 W). Note that the pinout shown is for SOIC-8 and PDIP-8 packages.

typical application

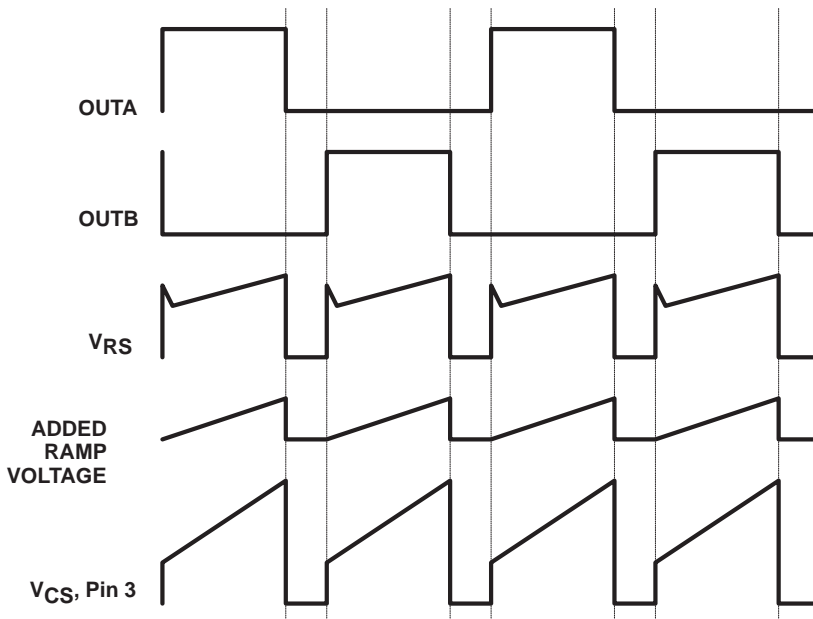


UDG-01084

APPLICATION INFORMATION

operational waveforms

Figure 3 illustrates how the voltage ramp is effectively added to the voltage across the current sense element V_{CS} , to implement slope compensation.



UDG-01085

Figure 3. Typical Slope Compensation Waveforms at 80% Duty Cycle

In Figure 3, OUTA and OUTB are shown at a duty cycle of 80%, with the associated voltage V_{RS} across the current sense resistor of the primary push-pull power MOSFETs. The current flowing out of CS generates the ramp voltage across the filter resistor R_F that is positioned between the power current sense resistor and the CS pin. This voltage is effectively added to V_{RS} to provide slope compensation at V_{CS} , pin 3. A capacitor C_F is also recommended to filter the waveform at CS.

layout considerations

To prevent noise problems, bypass VDD to GND with a ceramic capacitor as close to the chip as possible along with an electrolytic capacitor. A 1- μ F decoupling capacitor is recommended.

Use a local ground plane near the small signal pins (CTRL, ISET, CS and RT) of the IC for shielding. Connect the local ground plane to the GND pin with a single trace. Do not extend the local ground plane under the power pins (VDD, OUTA, OUTB and GND). Instead, use signal return traces to the GND pin for ground returns on the side of the integrated circuit with the power pins.

For best performance, keep the timing resistor lead from RT pin (pin 4) to GND (pin 5) as short as possible.

special layout considerations for the TSSOP package

Due to the different pinout and smaller lead pitch of the TSSOP package, special attention must be paid to minimize noise problems. The pinout is different because the device had to be rotated 90° to fit into the smaller TSSOP package.

For example, the two output pins are now on opposite sides of the package. The traces should not run under the package together as they will couple switching noise into analog pins.

Another common problem is when RT and OUTB (pins 6 and 8) are routed together for some distance even though they are not immediate side by side pins. Because of this, when OUTB rises, a voltage spike of upto 400 mV can couple into the RT. This spike causes the internal charge current into CT to be turned off momentarily resulting in lower duty cycle. It is also important that note that the RT pin voltage cannot be stabilized with a capacitor. The RT pin is just a dc voltage to program the internal CT. Instead, keep the OUTB and RT runs short and far from each other and follow the printed wiring board layout suggestions above to fix the problem.

reference design

A reference design is discussed in *50-W Push-Pull Converter Reference Design Using the UCC38083*, TI Literature Number SLUU135. This design controls a push-pull synchronous rectified topology with input range of 18 V to 35 V (24 nominal) and 3.3-V output at 15 A. The schematic is shown in Figure 5 and the board layout for the reference design is shown in Figure 4. Refer to the document for further details.

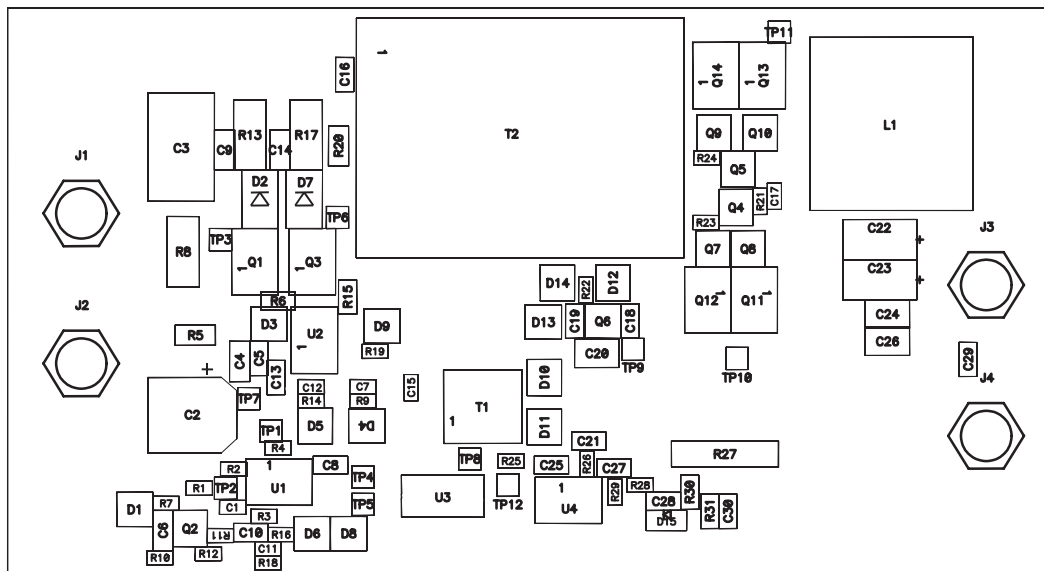


Figure 4. Reference Design Layout

APPLICATION INFORMATION

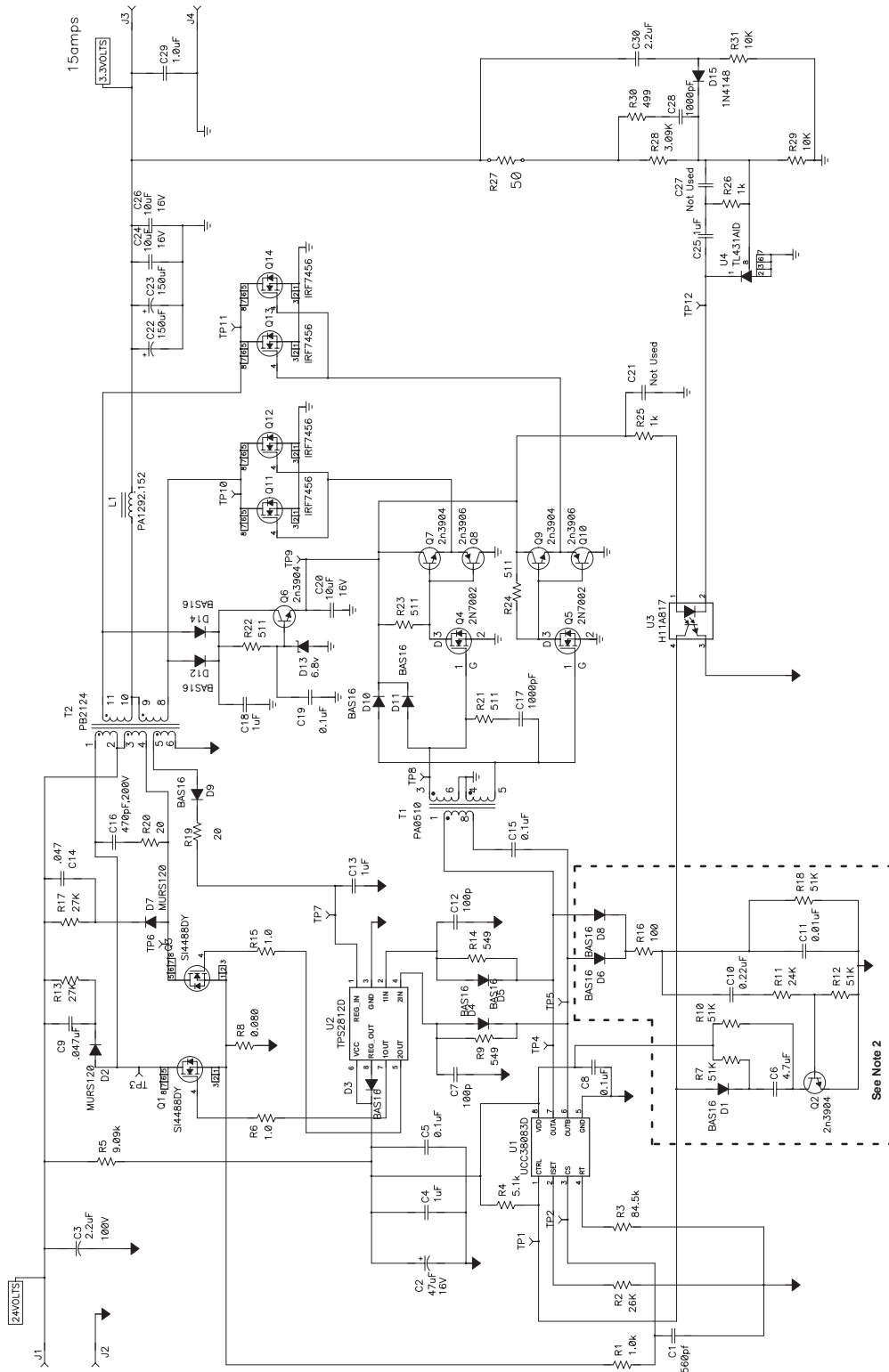


Figure 5. Reference Design Schematic

Note 1. C28, R25, and D12 accelerate the control to the secondary side feedback at start-up and prevent output voltage overshoot.
 Note 2. Components used for the UCC38085 only.

TYPICAL CHARACTERISTICS

OSCILLATOR FREQUENCY
 vs
 TIMING RESISTANCE



Figure 6

OSCILLATOR FREQUENCY
 vs
 TEMPERATURE

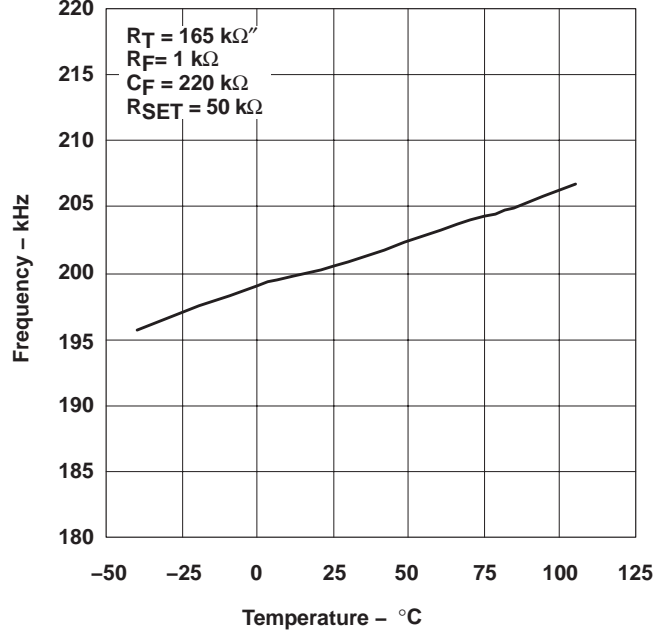


Figure 7

IDD
 vs
 OSCILLATOR FREQUENCY, (NO LOAD)

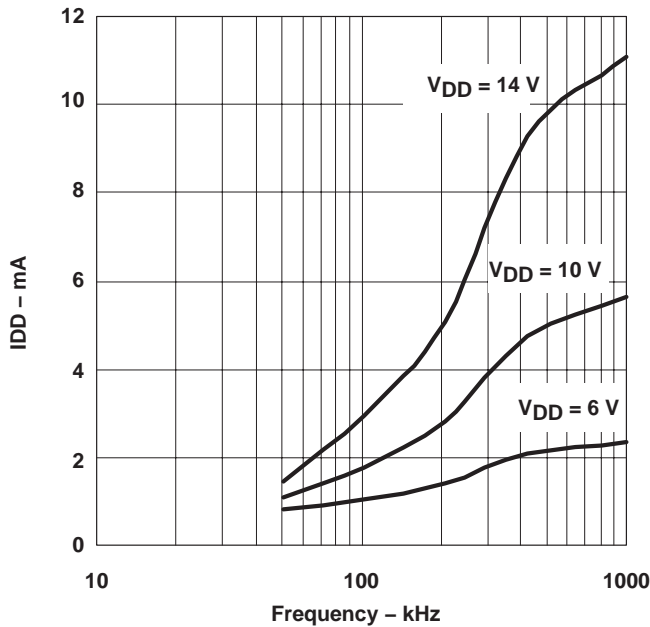


Figure 8

IDD
 vs
 OSCILLATOR FREQUENCY, 1 nF LOAD

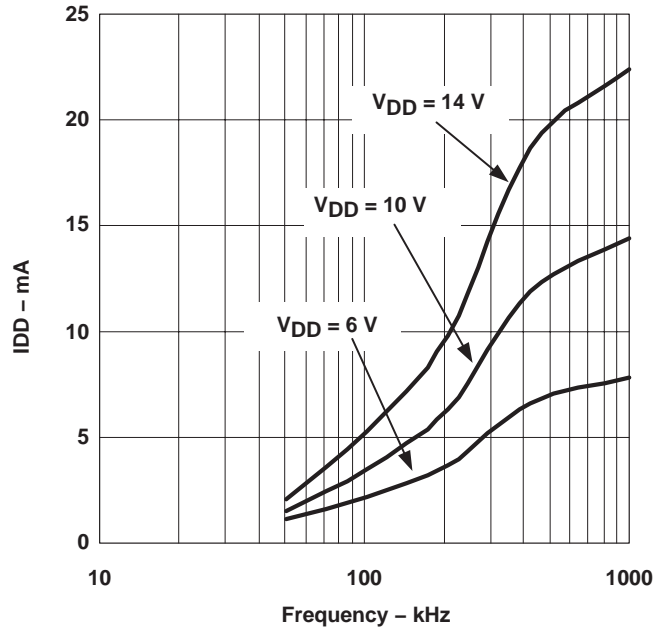


Figure 9

TYPICAL CHARACTERISTICS



Figure 10

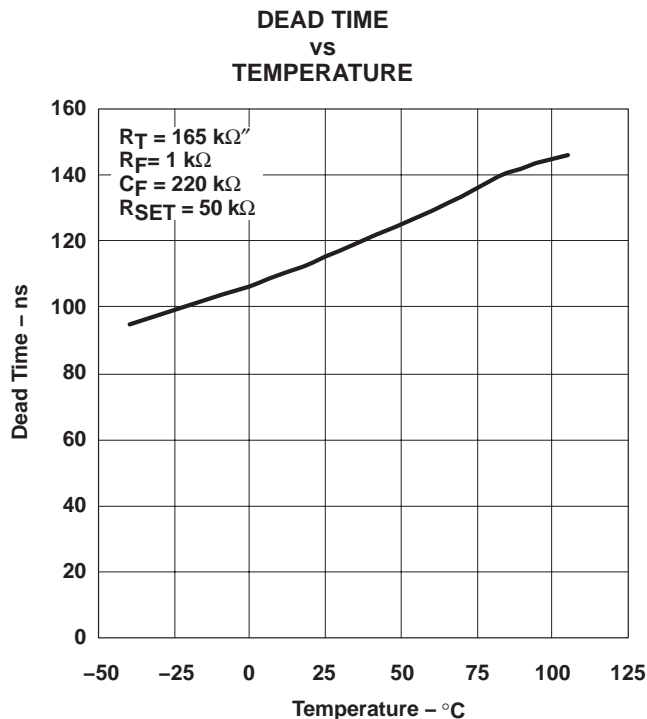


Figure 11

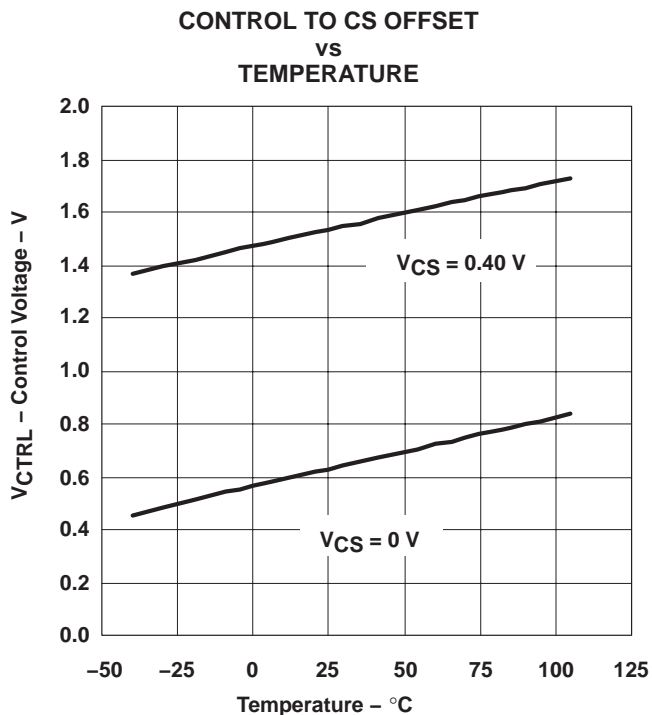


Figure 12

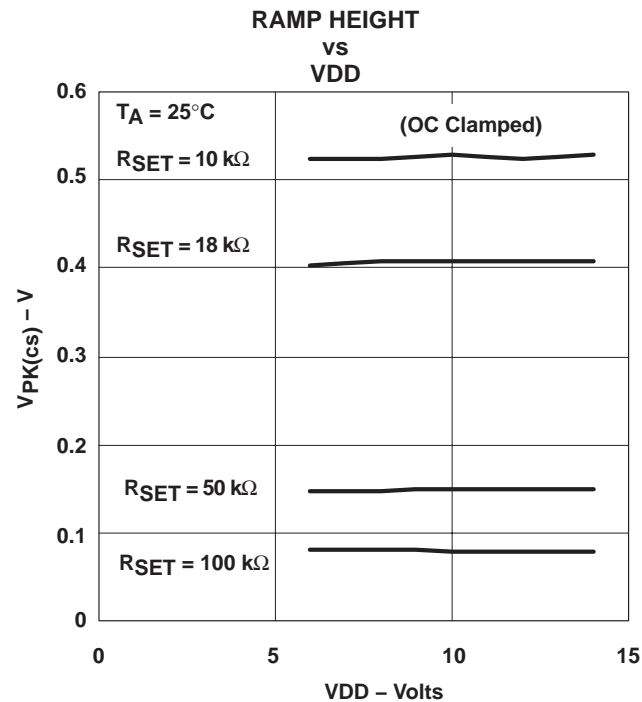


Figure 13

TYPICAL CHARACTERISTICS

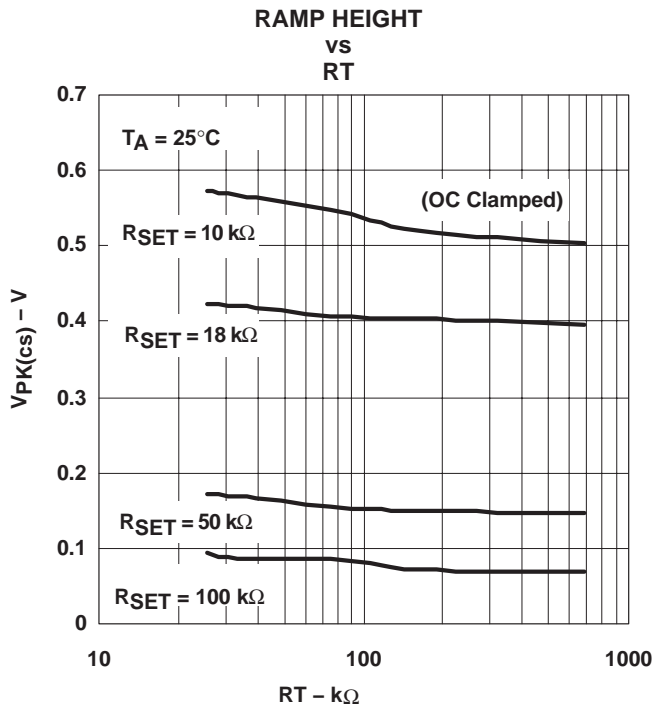


Figure 14

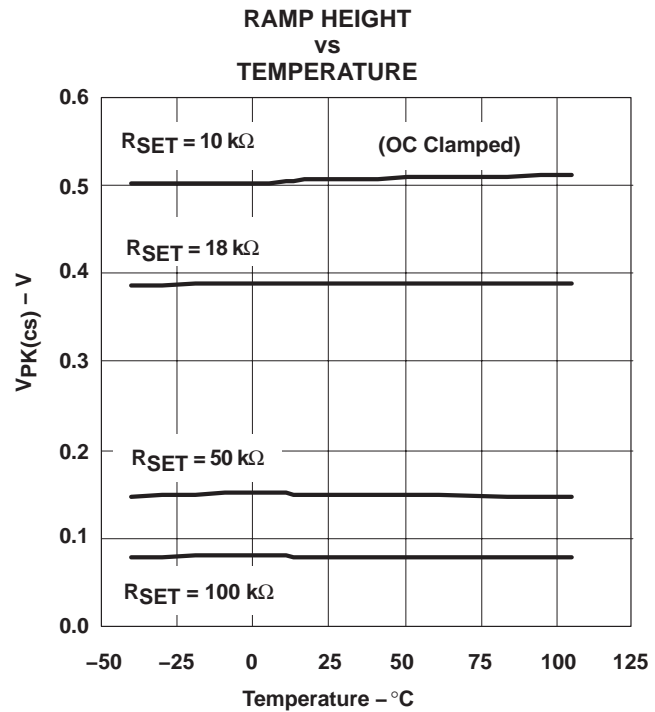


Figure 15

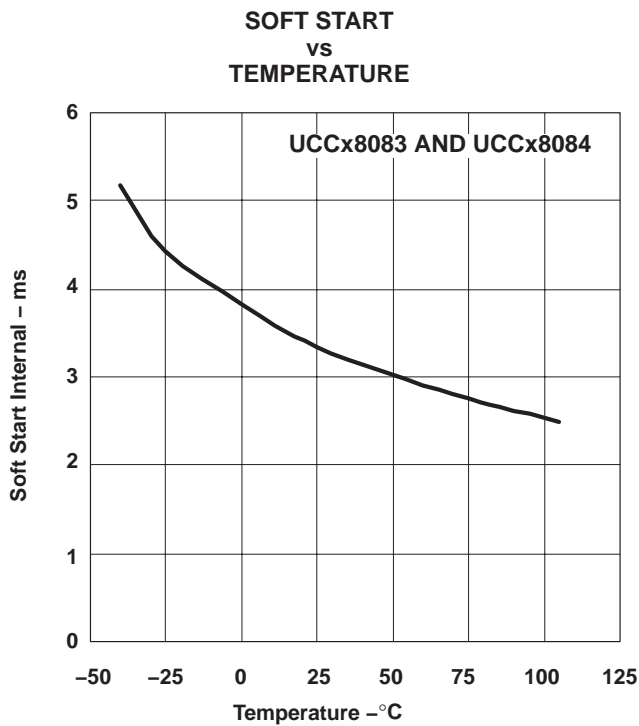


Figure 16

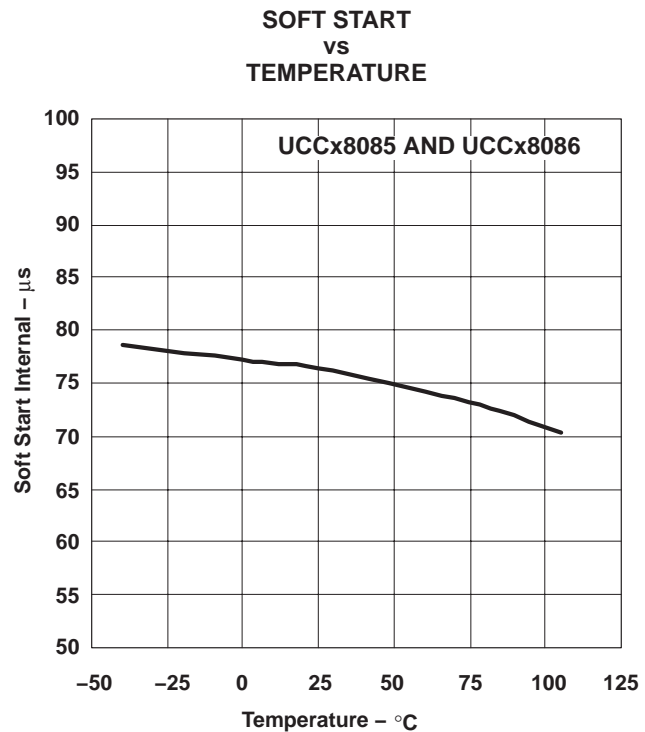


Figure 17

TYPICAL CHARACTERISTICS



Figure 18

RELATED PRODUCTS

UCC3808, 8-Pin Low Power Current Mode Push-Pull PWM, (SLUS168)

UCC3808A, 8-Pin Low-Power Current-Mode Push-Pull PWM, (SLUS456)

UCC3806, Low Power, Dual Output, Current Mode PWM Controller, (SLUS272)

Table 1. 8-Pin Push-Pull PWM Controller Family Feature Comparison

Part Number	UVLO On	UVLO Off	CS Discharge FET	Error Amplifier	Programmable Slope Compensation	Internal Softstart
UCC38083	12.5 V	8.3 V	Yes	No	Yes	Yes
UCC38084	4.3 V	4.1 V	Yes	No	Yes	Yes
UCC38085	12.5 V	8.3 V	Yes	No	Yes	No
UCC38086	4.3 V	4.1 V	Yes	No	Yes	No
UCC3808A-1	12.5 V	8.3 V	Yes	Yes	No	Yes
UCC3808A-2	4.3 V	4.1 V	Yes	Yes	No	Yes
UCC3808-1	12.5 V	8.3 V	No	Yes	No	Yes
UCC3808-2	4.3 V	4.1 V	No	Yes	No	Yes

PACKAGING INFORMATION

Orderable Device	Status (1)	Package Type	Package Drawing	Pins	Package Qty	Eco Plan (2)	Lead finish/ Ball material (6)	MSL Peak Temp (3)	Op Temp (°C)	Device Marking (4/5)	Samples
UCC28083D	LIFEBUY	SOIC	D	8	75	RoHS & Green	NIPDAU	Level-1-260C-UNLIM	-40 to 85	28083	
UCC28083DG4	LIFEBUY	SOIC	D	8	75	RoHS & Green	NIPDAU	Level-1-260C-UNLIM	-40 to 85	28083	
UCC28083DR	ACTIVE	SOIC	D	8	2500	RoHS & Green	NIPDAU	Level-1-260C-UNLIM	-40 to 85	28083	Samples
UCC28083DRG4	ACTIVE	SOIC	D	8	2500	RoHS & Green	NIPDAU	Level-1-260C-UNLIM	-40 to 85	28083	Samples
UCC28083PW	ACTIVE	TSSOP	PW	8	150	RoHS & Green	NIPDAU	Level-2-260C-1 YEAR	-40 to 85	28083	Samples
UCC28084D	LIFEBUY	SOIC	D	8	75	RoHS & Green	NIPDAU	Level-1-260C-UNLIM	-40 to 85	28084	
UCC28084DR	ACTIVE	SOIC	D	8	2500	RoHS & Green	NIPDAU	Level-1-260C-UNLIM	-40 to 85	28084	Samples
UCC28084DRG4	ACTIVE	SOIC	D	8	2500	RoHS & Green	NIPDAU	Level-1-260C-UNLIM	-40 to 85	28084	Samples
UCC28084PW	LIFEBUY	TSSOP	PW	8	150	RoHS & Green	NIPDAU	Level-2-260C-1 YEAR	-40 to 85	28084	
UCC28084PWG4	LIFEBUY	TSSOP	PW	8	150	RoHS & Green	NIPDAU	Level-2-260C-1 YEAR	-40 to 85	28084	
UCC28084PWR	ACTIVE	TSSOP	PW	8	2000	RoHS & Green	NIPDAU	Level-2-260C-1 YEAR	-40 to 85	28084	Samples
UCC28085D	LIFEBUY	SOIC	D	8	75	RoHS & Green	NIPDAU	Level-1-260C-UNLIM	-40 to 85	28085	
UCC28085DR	ACTIVE	SOIC	D	8	2500	RoHS & Green	NIPDAU	Level-1-260C-UNLIM	-40 to 85	28085	Samples
UCC28085PW	ACTIVE	TSSOP	PW	8	150	RoHS & Green	NIPDAU	Level-2-260C-1 YEAR	-40 to 85	28085	Samples
UCC28086D	ACTIVE	SOIC	D	8	75	RoHS & Green	NIPDAU	Level-1-260C-UNLIM	-40 to 85	28086	Samples
UCC28086DR	ACTIVE	SOIC	D	8	2500	RoHS & Green	NIPDAU	Level-1-260C-UNLIM	-40 to 85	28086	Samples
UCC28086PW	ACTIVE	TSSOP	PW	8	150	RoHS & Green	NIPDAU	Level-2-260C-1 YEAR	-40 to 85	28086	Samples
UCC28086PWR	ACTIVE	TSSOP	PW	8	2000	RoHS & Green	NIPDAU	Level-2-260C-1 YEAR	-40 to 85	28086	Samples
UCC38083D	LIFEBUY	SOIC	D	8	75	RoHS & Green	NIPDAU	Level-1-260C-UNLIM	0 to 70	38083	
UCC38083DR	LIFEBUY	SOIC	D	8	2500	RoHS & Green	NIPDAU	Level-1-260C-UNLIM	0 to 70	38083	
UCC38084D	LIFEBUY	SOIC	D	8	75	RoHS & Green	NIPDAU	Level-1-260C-UNLIM	0 to 70	38084	
UCC38084DR	ACTIVE	SOIC	D	8	2500	RoHS & Green	NIPDAU	Level-1-260C-UNLIM	0 to 70	38084	Samples
UCC38084DRG4	ACTIVE	SOIC	D	8	2500	RoHS & Green	NIPDAU	Level-1-260C-UNLIM	0 to 70	38084	Samples

Orderable Device	Status (1)	Package Type	Package Drawing	Pins	Package Qty	Eco Plan (2)	Lead finish/ Ball material (6)	MSL Peak Temp (3)	Op Temp (°C)	Device Marking (4/5)	Samples
UCC38084PW	ACTIVE	TSSOP	PW	8	150	RoHS & Green	NIPDAU	Level-2-260C-1 YEAR	0 to 70	38084	Samples
UCC38084PWR	ACTIVE	TSSOP	PW	8	2000	RoHS & Green	NIPDAU	Level-2-260C-1 YEAR	0 to 70	38084	Samples
UCC38085D	LIFEBUY	SOIC	D	8	75	RoHS & Green	NIPDAU	Level-1-260C-UNLIM	0 to 70	38085	
UCC38086D	LIFEBUY	SOIC	D	8	75	RoHS & Green	NIPDAU	Level-1-260C-UNLIM	0 to 70	38086	
UCC38086DR	ACTIVE	SOIC	D	8	2500	RoHS & Green	NIPDAU	Level-1-260C-UNLIM	0 to 70	38086	Samples

(1) The marketing status values are defined as follows:

ACTIVE: Product device recommended for new designs.

LIFEBUY: TI has announced that the device will be discontinued, and a lifetime-buy period is in effect.

NRND: Not recommended for new designs. Device is in production to support existing customers, but TI does not recommend using this part in a new design.

PREVIEW: Device has been announced but is not in production. Samples may or may not be available.

OBSELETE: TI has discontinued the production of the device.

(2) **RoHS:** TI defines "RoHS" to mean semiconductor products that are compliant with the current EU RoHS requirements for all 10 RoHS substances, including the requirement that RoHS substance do not exceed 0.1% by weight in homogeneous materials. Where designed to be soldered at high temperatures, "RoHS" products are suitable for use in specified lead-free processes. TI may reference these types of products as "Pb-Free".

RoHS Exempt: TI defines "RoHS Exempt" to mean products that contain lead but are compliant with EU RoHS pursuant to a specific EU RoHS exemption.

Green: TI defines "Green" to mean the content of Chlorine (Cl) and Bromine (Br) based flame retardants meet JS709B low halogen requirements of <=1000ppm threshold. Antimony trioxide based flame retardants must also meet the <=1000ppm threshold requirement.

(3) MSL, Peak Temp. - The Moisture Sensitivity Level rating according to the JEDEC industry standard classifications, and peak solder temperature.

(4) There may be additional marking, which relates to the logo, the lot trace code information, or the environmental category on the device.

(5) Multiple Device Markings will be inside parentheses. Only one Device Marking contained in parentheses and separated by a "~" will appear on a device. If a line is indented then it is a continuation of the previous line and the two combined represent the entire Device Marking for that device.

(6) Lead finish/Ball material - Orderable Devices may have multiple material finish options. Finish options are separated by a vertical ruled line. Lead finish/Ball material values may wrap to two lines if the finish value exceeds the maximum column width.

Important Information and Disclaimer:The information provided on this page represents TI's knowledge and belief as of the date that it is provided. TI bases its knowledge and belief on information provided by third parties, and makes no representation or warranty as to the accuracy of such information. Efforts are underway to better integrate information from third parties. TI has taken and continues to take reasonable steps to provide representative and accurate information but may not have conducted destructive testing or chemical analysis on incoming materials and chemicals. TI and TI suppliers consider certain information to be proprietary, and thus CAS numbers and other limited information may not be available for release.

In no event shall TI's liability arising out of such information exceed the total purchase price of the TI part(s) at issue in this document sold by TI to Customer on an annual basis.

TAPE AND REEL INFORMATION

QUADRANT ASSIGNMENTS FOR PIN 1 ORIENTATION IN TAPE

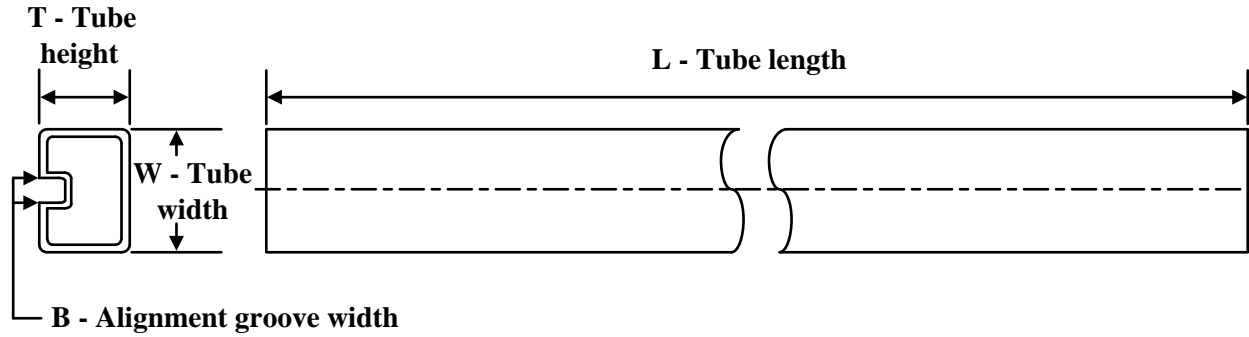

*All dimensions are nominal

Device	Package Type	Package Drawing	Pins	SPQ	Reel Diameter (mm)	Reel Width W1 (mm)	A0 (mm)	B0 (mm)	K0 (mm)	P1 (mm)	W (mm)	Pin1 Quadrant
UCC28083DR	SOIC	D	8	2500	330.0	12.4	6.4	5.2	2.1	8.0	12.0	Q1
UCC28084DR	SOIC	D	8	2500	330.0	12.4	6.4	5.2	2.1	8.0	12.0	Q1
UCC28084PWR	TSSOP	PW	8	2000	330.0	12.4	7.0	3.6	1.6	8.0	12.0	Q1
UCC28085DR	SOIC	D	8	2500	330.0	12.4	6.4	5.2	2.1	8.0	12.0	Q1
UCC28086DR	SOIC	D	8	2500	330.0	12.4	6.4	5.2	2.1	8.0	12.0	Q1
UCC28086PWR	TSSOP	PW	8	2000	330.0	12.4	7.0	3.6	1.6	8.0	12.0	Q1
UCC38083DR	SOIC	D	8	2500	330.0	12.4	6.4	5.2	2.1	8.0	12.0	Q1
UCC38084DR	SOIC	D	8	2500	330.0	12.4	6.4	5.2	2.1	8.0	12.0	Q1
UCC38084PWR	TSSOP	PW	8	2000	330.0	12.4	7.0	3.6	1.6	8.0	12.0	Q1
UCC38086DR	SOIC	D	8	2500	330.0	12.4	6.4	5.2	2.1	8.0	12.0	Q1

TAPE AND REEL BOX DIMENSIONS


*All dimensions are nominal

Device	Package Type	Package Drawing	Pins	SPQ	Length (mm)	Width (mm)	Height (mm)
UCC28083DR	SOIC	D	8	2500	340.5	338.1	20.6
UCC28084DR	SOIC	D	8	2500	340.5	338.1	20.6
UCC28084PWR	TSSOP	PW	8	2000	356.0	356.0	35.0
UCC28085DR	SOIC	D	8	2500	340.5	338.1	20.6
UCC28086DR	SOIC	D	8	2500	340.5	338.1	20.6
UCC28086PWR	TSSOP	PW	8	2000	356.0	356.0	35.0
UCC38083DR	SOIC	D	8	2500	340.5	338.1	20.6
UCC38084DR	SOIC	D	8	2500	340.5	338.1	20.6
UCC38084PWR	TSSOP	PW	8	2000	356.0	356.0	35.0
UCC38086DR	SOIC	D	8	2500	340.5	338.1	20.6

TUBE


*All dimensions are nominal

Device	Package Name	Package Type	Pins	SPQ	L (mm)	W (mm)	T (μm)	B (mm)
UCC28083D	D	SOIC	8	75	507	8	3940	4.32
UCC28083DG4	D	SOIC	8	75	507	8	3940	4.32
UCC28083PW	PW	TSSOP	8	150	508	8.5	3250	2.8
UCC28084D	D	SOIC	8	75	507	8	3940	4.32
UCC28084PW	PW	TSSOP	8	150	508	8.5	3250	2.8
UCC28084PWG4	PW	TSSOP	8	150	508	8.5	3250	2.8
UCC28085D	D	SOIC	8	75	507	8	3940	4.32
UCC28085PW	PW	TSSOP	8	150	508	8.5	3250	2.8
UCC28086D	D	SOIC	8	75	507	8	3940	4.32
UCC28086PW	PW	TSSOP	8	150	508	8.5	3250	2.8
UCC38083D	D	SOIC	8	75	507	8	3940	4.32
UCC38084D	D	SOIC	8	75	507	8	3940	4.32
UCC38084PW	PW	TSSOP	8	150	508	8.5	3250	2.8
UCC38085D	D	SOIC	8	75	507	8	3940	4.32
UCC38086D	D	SOIC	8	75	507	8	3940	4.32



D0008A

PACKAGE OUTLINE

SOIC - 1.75 mm max height

SMALL OUTLINE INTEGRATED CIRCUIT



4214825/C 02/2019

NOTES:

1. Linear dimensions are in inches [millimeters]. Dimensions in parenthesis are for reference only. Controlling dimensions are in inches. Dimensioning and tolerancing per ASME Y14.5M.
2. This drawing is subject to change without notice.
3. This dimension does not include mold flash, protrusions, or gate burrs. Mold flash, protrusions, or gate burrs shall not exceed $.006$ [0.15] per side.
4. This dimension does not include interlead flash.
5. Reference JEDEC registration MS-012, variation AA.

EXAMPLE BOARD LAYOUT

D0008A

SOIC - 1.75 mm max height

SMALL OUTLINE INTEGRATED CIRCUIT



LAND PATTERN EXAMPLE
 EXPOSED METAL SHOWN
 SCALE:8X



SOLDER MASK DETAILS

4214825/C 02/2019

NOTES: (continued)

- 6. Publication IPC-7351 may have alternate designs.
- 7. Solder mask tolerances between and around signal pads can vary based on board fabrication site.

EXAMPLE STENCIL DESIGN

D0008A

SOIC - 1.75 mm max height

SMALL OUTLINE INTEGRATED CIRCUIT



SOLDER PASTE EXAMPLE
BASED ON .005 INCH [0.125 MM] THICK STENCIL
SCALE:8X

4214825/C 02/2019

NOTES: (continued)

8. Laser cutting apertures with trapezoidal walls and rounded corners may offer better paste release. IPC-7525 may have alternate design recommendations.
9. Board assembly site may have different recommendations for stencil design.

PW0008A



PACKAGE OUTLINE
TSSOP - 1.2 mm max height

SMALL OUTLINE PACKAGE



4221848/A 02/2015

NOTES:

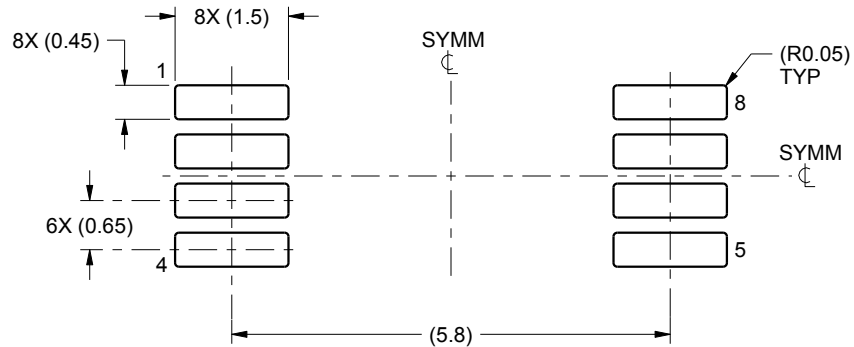
1. All linear dimensions are in millimeters. Any dimensions in parenthesis are for reference only. Dimensioning and tolerancing per ASME Y14.5M.
2. This drawing is subject to change without notice.
3. This dimension does not include mold flash, protrusions, or gate burrs. Mold flash, protrusions, or gate burrs shall not exceed 0.15 mm per side.
4. This dimension does not include interlead flash. Interlead flash shall not exceed 0.25 mm per side.
5. Reference JEDEC registration MO-153, variation AA.

EXAMPLE BOARD LAYOUT

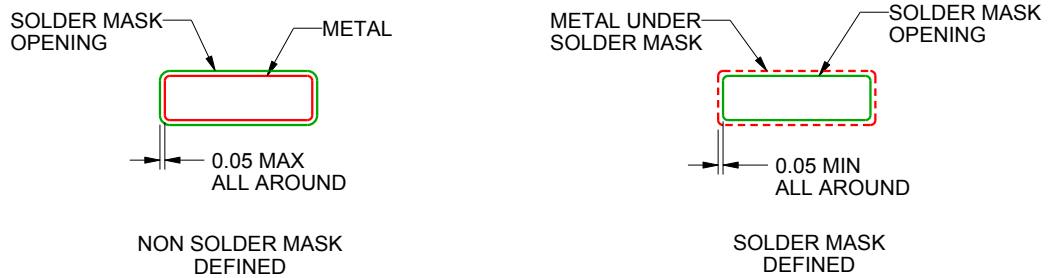
PW0008A

TSSOP - 1.2 mm max height

SMALL OUTLINE PACKAGE



LAND PATTERN EXAMPLE
SCALE:10X



SOLDER MASK DETAILS
NOT TO SCALE

4221848/A 02/2015

NOTES: (continued)

- 6. Publication IPC-7351 may have alternate designs.
- 7. Solder mask tolerances between and around signal pads can vary based on board fabrication site.

EXAMPLE STENCIL DESIGN

PW0008A

TSSOP - 1.2 mm max height

SMALL OUTLINE PACKAGE



SOLDER PASTE EXAMPLE
BASED ON 0.125 mm THICK STENCIL
SCALE:10X

4221848/A 02/2015

NOTES: (continued)

8. Laser cutting apertures with trapezoidal walls and rounded corners may offer better paste release. IPC-7525 may have alternate design recommendations.
9. Board assembly site may have different recommendations for stencil design.

IMPORTANT NOTICE AND DISCLAIMER

TI PROVIDES TECHNICAL AND RELIABILITY DATA (INCLUDING DATA SHEETS), DESIGN RESOURCES (INCLUDING REFERENCE DESIGNS), APPLICATION OR OTHER DESIGN ADVICE, WEB TOOLS, SAFETY INFORMATION, AND OTHER RESOURCES "AS IS" AND WITH ALL FAULTS, AND DISCLAIMS ALL WARRANTIES, EXPRESS AND IMPLIED, INCLUDING WITHOUT LIMITATION ANY IMPLIED WARRANTIES OF MERCHANTABILITY, FITNESS FOR A PARTICULAR PURPOSE OR NON-INFRINGEMENT OF THIRD PARTY INTELLECTUAL PROPERTY RIGHTS.

These resources are intended for skilled developers designing with TI products. You are solely responsible for (1) selecting the appropriate TI products for your application, (2) designing, validating and testing your application, and (3) ensuring your application meets applicable standards, and any other safety, security, regulatory or other requirements.

These resources are subject to change without notice. TI grants you permission to use these resources only for development of an application that uses the TI products described in the resource. Other reproduction and display of these resources is prohibited. No license is granted to any other TI intellectual property right or to any third party intellectual property right. TI disclaims responsibility for, and you will fully indemnify TI and its representatives against, any claims, damages, costs, losses, and liabilities arising out of your use of these resources.

TI's products are provided subject to [TI's Terms of Sale](#) or other applicable terms available either on [ti.com](https://www.ti.com) or provided in conjunction with such TI products. TI's provision of these resources does not expand or otherwise alter TI's applicable warranties or warranty disclaimers for TI products.

TI objects to and rejects any additional or different terms you may have proposed.

Mailing Address: Texas Instruments, Post Office Box 655303, Dallas, Texas 75265
Copyright © 2024, Texas Instruments Incorporated

Looking for pricing, stock, or lifecycle information?

Click below to explore more details on WIN SOURCE:

 [View UCC28083PW](#) on WIN SOURCE

 [Texas Instruments](#) Information

Optimize Your Supply Chain with WIN SOURCE Solutions

-  Global Sourcing Solution
-  Obsolete Management
-  Cost Control Management
-  Shortage Management
-  Alternative Solution
-  Excess Inventory Management