



**THE DATASHEET OF
PCF8574ADWRG4**



PCF8574A Remote 8-Bit I/O Expander for I²C Bus

1 Features

- Low Standby-Current Consumption of 10 μ A Max
- I²C to Parallel-Port Expander
- Open-Drain Interrupt Output
- Compatible With Most Microcontrollers
- Latched Outputs With High-Current Drive Capability for Directly Driving LEDs
- Latch-Up Performance Exceeds 100 mA Per JESD 78, Class II

2 Applications

- Telecom Shelters: Filter Units
- Servers
- Routers (Telecom Switching Equipment)
- Personal Computers
- Personal Electronics
- Industrial Automation
- Products with GPIO-Limited Processors

3 Description

This 8-bit input/output (I/O) expander for the two-line bidirectional bus (I²C) is designed for 2.5-V to 6-V V_{CC} operation.

The PCF8574A device provides general-purpose remote I/O expansion for most microcontroller families via the I²C interface [serial clock (SCL), serial data (SDA)].

The device features an 8-bit quasi-bidirectional I/O port (P0–P7), including latched outputs with high-current drive capability for directly driving LEDs. Each quasi-bidirectional I/O can be used as an input or output without the use of a data-direction control signal. At power on, the I/Os are high. In this mode, only a current source to V_{CC} is active.

Device Information⁽¹⁾

| PART NUMBER | PACKAGE (PIN) | BODY SIZE (NOM) |
|-------------|---------------|--------------------|
| PCF8574A | VQFN (20) | 4.50 mm x 3.50 mm |
| | PDIP (16) | 19.30 mm x 6.35 mm |
| | SOIC (16) | 10.30 mm x 7.50 mm |
| | TSSOP (20) | 6.50 mm x 4.40 mm |
| | TVSOP (20) | 5.00 mm x 4.40 mm |

(1) For all available packages, see the orderable addendum at the end of the data sheet.

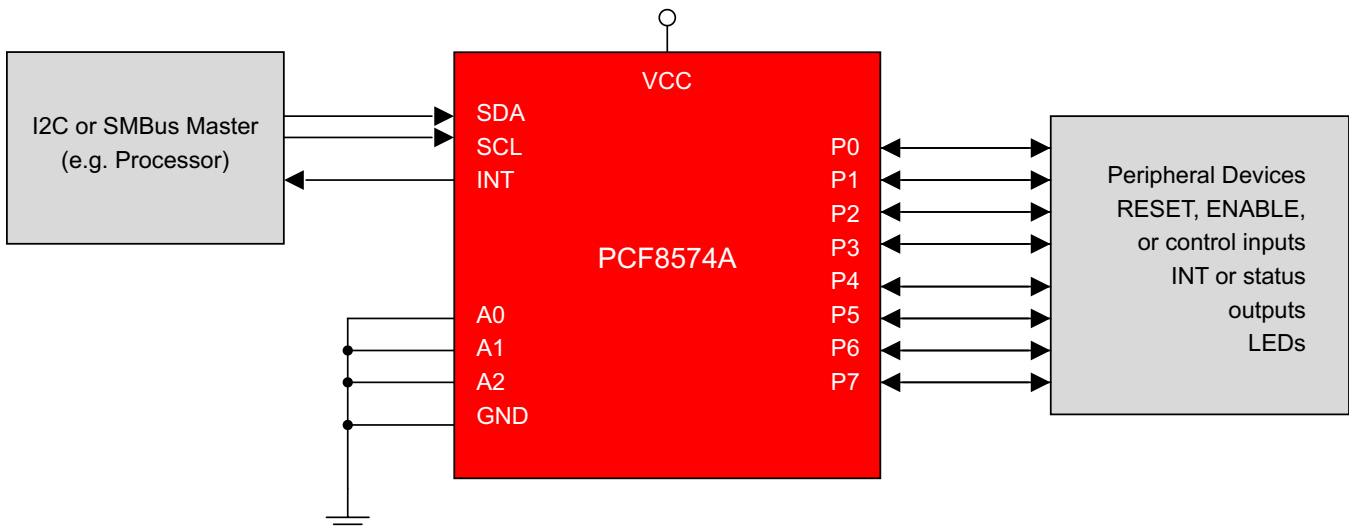


Table of Contents

| | | | |
|--|-----------|--|-----------|
| 1 Features | 1 | 8.2 Functional Block Diagram | 11 |
| 2 Applications | 1 | 8.3 Feature Description | 12 |
| 3 Description | 1 | 8.4 Device Functional Modes | 13 |
| 4 Revision History | 2 | 9 Application and Implementation | 15 |
| 5 Pin Configuration and Functions | 3 | 9.1 Application Information | 15 |
| 6 Specifications | 4 | 9.2 Typical Application | 15 |
| 6.1 Absolute Maximum Ratings | 4 | 10 Power Supply Recommendations | 18 |
| 6.2 ESD Ratings | 4 | 10.1 Power-On Reset Requirements | 18 |
| 6.3 Recommended Operating Conditions | 4 | 11 Layout | 20 |
| 6.4 Thermal Information | 4 | 11.1 Layout Guidelines | 20 |
| 6.5 Electrical Characteristics | 5 | 11.2 Layout Example | 20 |
| 6.6 I ² C Interface Timing Requirements | 5 | 12 Device and Documentation Support | 21 |
| 6.7 Switching Characteristics | 5 | 12.1 Trademarks | 21 |
| 6.8 Typical Characteristics | 6 | 12.2 Electrostatic Discharge Caution | 21 |
| 7 Parameter Measurement Information | 8 | 12.3 Glossary | 21 |
| 8 Detailed Description | 11 | 13 Mechanical, Packaging, and Orderable Information | 21 |
| 8.1 Overview | 11 | | |

4 Revision History

Changes from Revision E (January 2015) to Revision F

Page

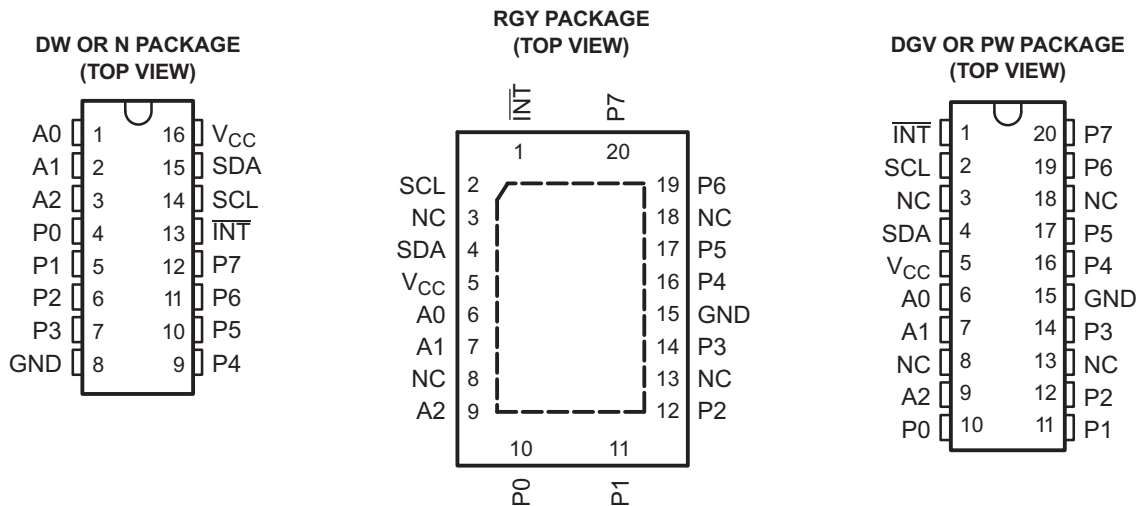
| | |
|---|----------|
| • Added Junction temperature to the <i>Absolute Maximum Ratings</i> ⁽²⁾ | 4 |
| • Changed Supply Current (A) To: Supply Current (μA) and $f_{SCL} = 400$ kHz to $f_{SCL} = 100$ kHz in Figure 1 | 6 |
| • Changed Supply Current (A) To: Supply Current (μA) in Figure 2 | 6 |
| • Changed Supply Current (A) To: Supply Current (μA) and $f_{SCL} = 400$ kHz to $f_{SCL} = 100$ kHz in Figure 3 | 6 |

Changes from Revision D (October 2005) to Revision E

Page

| | |
|--|----------|
| • Added <i>Applications</i> , <i>Device Information</i> table, <i>Pin Functions</i> table, <i>ESD Ratings</i> table, <i>Thermal Information</i> table, <i>Typical Characteristics</i> , <i>Feature Description</i> section, <i>Device Functional Modes</i> , <i>Application and Implementation</i> section, <i>Power Supply Recommendations</i> section, <i>Layout</i> section, <i>Device and Documentation Support</i> section, and <i>Mechanical, Packaging, and Orderable Information</i> section. | 1 |
| • Deleted <i>Ordering Information</i> table. | 1 |

5 Pin Configuration and Functions



Pin Functions

| NAME | PIN | | | TYPE | DESCRIPTION |
|-------------------------|--------------------------------|--------------------------------|---------------------------|------|---|
| | RGY | DGV or PW | DW or N | | |
| A[0..2] | 6, 7, 9 | 6, 7, 9 | 1, 2, 3 | I | Address inputs 0 through 2. Connect directly to V _{CC} or ground. Pullup resistors are not needed. |
| GND | 15 | 15 | 8 | — | Ground |
| $\overline{\text{INT}}$ | 1 | 1 | 13 | O | Interrupt output. Connect to V _{CC} through a pullup resistor. |
| NC | 3, 8, 13, 18 | 3, 8, 13, 18 | - | — | Do not connect |
| P[0..7] | 10, 11, 12, 14, 16, 17, 19, 20 | 10, 11, 12, 14, 16, 17, 19, 20 | 4, 5, 6, 7, 9, 10, 11, 12 | I/O | P-port input/output. Push-pull design structure. |
| SCL | 2 | 2 | 14 | I | Serial clock line. Connect to V _{CC} through a pullup resistor |
| SDA | 4 | 4 | 15 | I/O | Serial data line. Connect to V _{CC} through a pullup resistor. |
| V _{CC} | 5 | 5 | 16 | — | Voltage supply |

6 Specifications

6.1 Absolute Maximum Ratings⁽¹⁾

over operating free-air temperature range (unless otherwise noted)

| | | MIN | MAX | UNIT |
|---|-------------------------------------|--|-----------------------|------|
| V _{CC} | Supply voltage range | -0.5 | 7 | V |
| V _I | Input voltage range ⁽²⁾ | -0.5 | V _{CC} + 0.5 | V |
| V _O | Output voltage range ⁽²⁾ | -0.5 | V _{CC} + 0.5 | V |
| I _{IK} | Input clamp current | V _I < 0 | -20 | mA |
| I _{OK} | Output clamp current | V _O < 0 | -20 | mA |
| I _{OK} | Input/output clamp current | V _O < 0 or V _O > V _{CC} | ±400 | µA |
| I _{OL} | Continuous output low current | V _O = 0 to V _{CC} | 50 | mA |
| I _{OH} | Continuous output high current | V _O = 0 to V _{CC} | -4 | mA |
| Continuous current through V _{CC} or GND | | | ±100 | mA |
| T _J | Junction temperature | | 150 | °C |
| T _{stg} | Storage temperature range | -65 | 150 | °C |

- (1) Stresses beyond those listed under *Absolute Maximum Ratings* may cause permanent damage to the device. These are stress ratings only, and functional operation of the device at these or any other conditions beyond those indicated under *Recommended Operating Conditions* is not implied. Exposure to absolute-maximum-rated conditions for extended periods may affect device reliability.
- (2) The input negative-voltage and output voltage ratings may be exceeded if the input and output current ratings are observed.

6.2 ESD Ratings

| | | VALUE | UNIT |
|--------------------|-------------------------|--|------|
| V _(ESD) | Electrostatic discharge | Human body model (HBM), per ANSI/ESDA/JEDEC JS-001, all pins ⁽¹⁾ | 1000 |
| | | Charged device model (CDM), per JEDEC specification JESD22-C101, all pins ⁽²⁾ | 1500 |

- (1) JEDEC document JEP155 states that 500-V HBM allows safe manufacturing with a standard ESD control process.
- (2) JEDEC document JEP157 states that 250-V CDM allows safe manufacturing with a standard ESD control process.

6.3 Recommended Operating Conditions

| | | MIN | MAX | UNIT |
|-----------------|--------------------------------|-----------------------|-----------------------|------|
| V _{CC} | Supply voltage | 2.5 | 6 | V |
| V _{IH} | High-level input voltage | 0.7 × V _{CC} | V _{CC} + 0.5 | V |
| V _{IL} | Low-level input voltage | -0.5 | 0.3 × V _{CC} | V |
| I _{OH} | High-level output current | | -1 | mA |
| I _{OL} | Low-level output current | | 25 | mA |
| T _A | Operating free-air temperature | -40 | 85 | °C |

6.4 Thermal Information

| THERMAL METRIC ⁽¹⁾ | | PCF8574A | | | | | UNIT |
|-------------------------------|--|----------|---------|---------|---------|---------|------|
| | | DGV | DW | N | PW | RGY | |
| | | 20 PINS | 16 PINS | 16 PINS | 20 PINS | 20 PINS | |
| θ _{JA} | Junction-to-ambient thermal resistance | 92 | 57 | 67 | 83 | 37 | °C/W |

- (1) For more information about traditional and new thermal metrics, see the *IC Package Thermal Metrics* application report (SPRA953).

6.5 Electrical Characteristics

over recommended operating free-air temperature range (unless otherwise noted)

| PARAMETER | | TEST CONDITIONS | V _{CC} | MIN | TYP ⁽¹⁾ | MAX | UNIT |
|------------------|---------------------------------------|---|-----------------|------|--------------------|------|------|
| V _{IK} | Input diode clamp voltage | I _I = -18 mA | 2.5 V to 6 V | -1.2 | | | V |
| V _{POR} | Power-on reset voltage ⁽²⁾ | V _I = V _{CC} or GND, I _O = 0 | 6 V | | 1.3 | 2.4 | V |
| I _{OH} | P port | V _O = GND | 2.5 V to 6 V | 30 | | 300 | μA |
| I _{OHT} | P-port transient pullup current | High during acknowledge, V _{OH} = GND | 2.5 V | | -1 | | mA |
| I _{OL} | SDA | V _O = 0.4 V | 2.5 V to 6 V | 3 | | | mA |
| | P port | V _O = 1 V | 5 V | 10 | 25 | | |
| | $\overline{\text{INT}}$ | V _O = 0.4 V | 2.5 V to 6 V | 1.6 | | | |
| I _I | SCL, SDA | V _I = V _{CC} or GND | 2.5 V to 6 V | | | ±5 | μA |
| | $\overline{\text{INT}}$ | | | | | ±5 | |
| | A0, A1, A2 | | | | | ±5 | |
| I _{IHL} | P port | V _I ≥ V _{CC} or V _I ≤ GND | 2.5 V to 6 V | | | ±400 | μA |
| I _{CC} | Operating mode | V _I = V _{CC} or GND, I _O = 0, f _{SCL} = 100 kHz | 6 V | | 40 | 100 | μA |
| | Standby mode | V _I = V _{CC} or GND, I _O = 0 | | | 2.5 | 10 | |
| C _i | SCL | V _I = V _{CC} or GND | 2.5 V to 6 V | | 1.5 | 7 | pF |
| C _{io} | SDA | V _{IO} = V _{CC} or GND | 2.5 V to 6 V | | 3 | 7 | pF |
| | P port | | | | 4 | 10 | |

(1) All typical values are at V_{CC} = 5 V, T_A = 25°C.

(2) The power-on reset circuit resets the I²C-bus logic with V_{CC} < V_{POR} and sets all I/Os to logic high (with current source to V_{CC}).

6.6 I²C Interface Timing Requirements

over recommended operating free-air temperature range (unless otherwise noted) (see Figure 12)

| | | MIN | MAX | UNIT |
|------------------|--|-----------------------------|-----|--------|
| f _{scl} | I ² C clock frequency | | 100 | kHz |
| t _{sch} | I ² C clock high time | 4 | | μs |
| t _{scl} | I ² C clock low time | 4.7 | | μs |
| t _{sp} | I ² C spike time | | 100 | ns |
| t _{sds} | I ² C serial-data setup time | 250 | | ns |
| t _{sdh} | I ² C serial-data hold time | 0 | | ns |
| t _{icr} | I ² C input rise time | | 1 | μs |
| t _{icf} | I ² C input fall time | | 0.3 | μs |
| t _{ocf} | I ² C output fall time (10-pF to 400-pF bus) | | 300 | ns |
| t _{buf} | I ² C bus free time between stop and start | 4.7 | | μs |
| t _{sts} | I ² C start or repeated start condition setup | 4.7 | | μs |
| t _{sth} | I ² C start or repeated start condition hold | 4 | | μs |
| t _{sps} | I ² C stop-condition setup | 4 | | μs |
| t _{vd} | Valid-data time | SCL low to SDA output valid | | 3.4 μs |
| C _b | I ² C bus capacitive load | | 400 | pF |

6.7 Switching Characteristics

over recommended operating free-air temperature range, C_L ≤ 100 pF (unless otherwise noted) (see Figure 13)

| PARAMETER | FROM (INPUT) | TO (OUTPUT) | MIN | MAX | UNIT |
|-----------------|----------------------------|-------------------------|-----|-----|------|
| t _{pv} | Output data valid | P port | | 4 | μs |
| t _{su} | Input data setup time | SCL | 0 | | μs |
| t _h | Input data hold time | SCL | 4 | | μs |
| t _{iv} | Interrupt valid time | $\overline{\text{INT}}$ | | 4 | μs |
| t _{ir} | Interrupt reset delay time | $\overline{\text{INT}}$ | | 4 | μs |

6.8 Typical Characteristics

$T_A = 25^\circ\text{C}$ (unless otherwise noted)

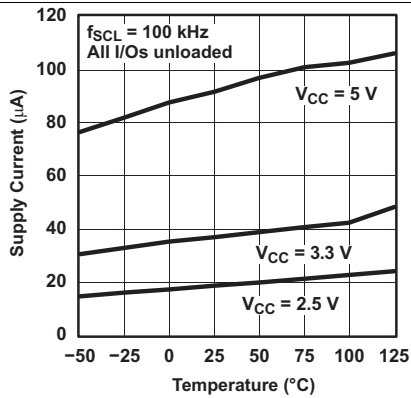


Figure 1. Supply Current vs Temperature

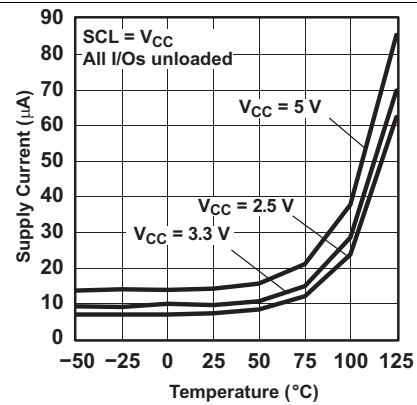


Figure 2. Standby Supply Current vs Temperature

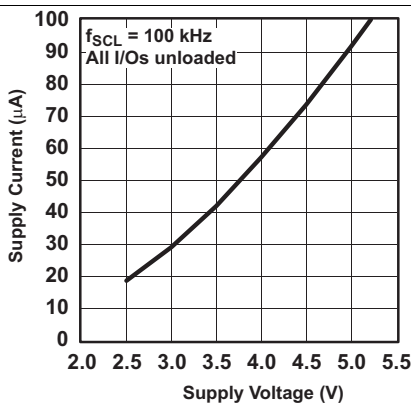


Figure 3. Supply Current vs Supply Voltage

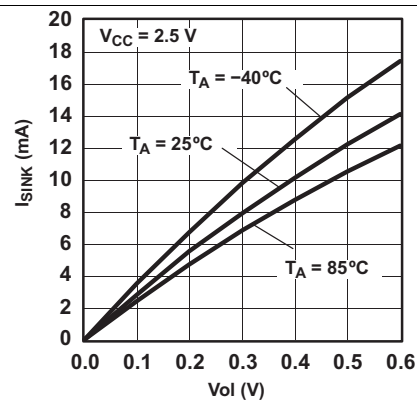


Figure 4. I/O Sink Current vs Output Low Voltage

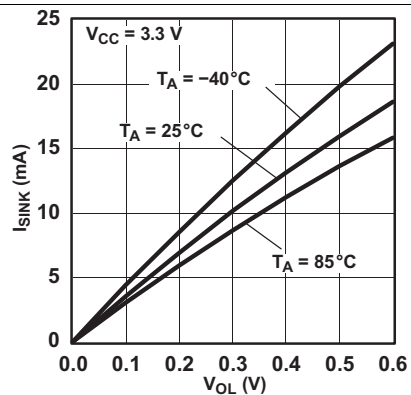


Figure 5. I/O Sink Current vs Output Low Voltage

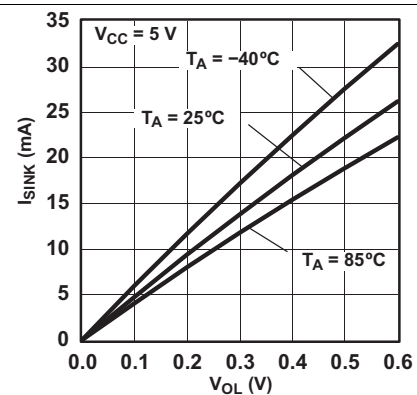


Figure 6. I/O Sink Current vs Output Low Voltage

Typical Characteristics (continued)

T_A = 25°C (unless otherwise noted)

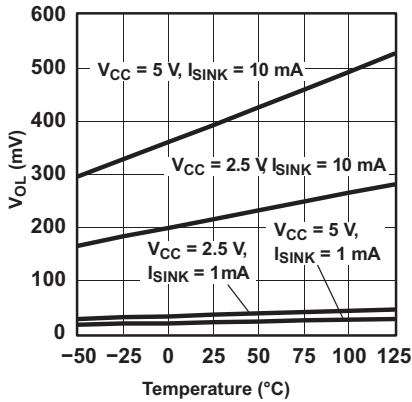


Figure 7. I/O Output Low Voltage vs Temperature

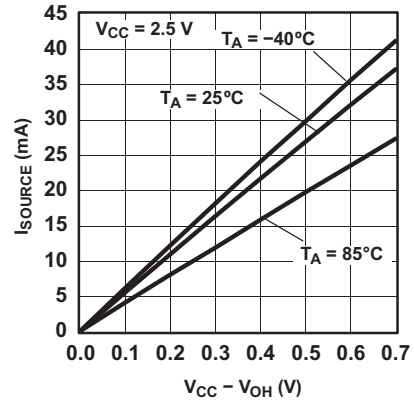


Figure 8. I/O Source Current vs Output High Voltage

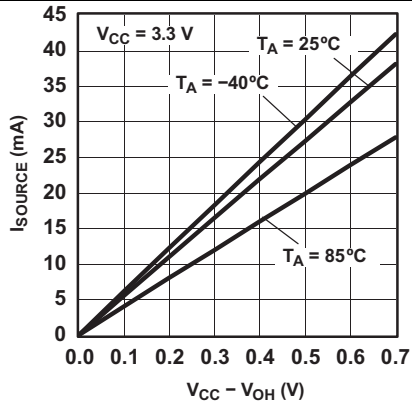


Figure 9. I/O Source Current vs Output High Voltage

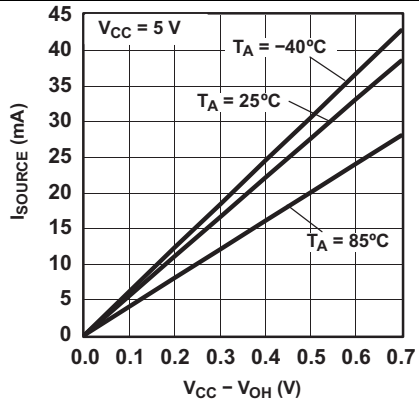


Figure 10. I/O Source Current vs Output High Voltage

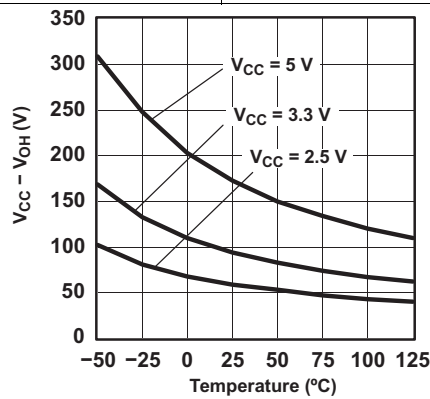


Figure 11. I/O High Voltage vs Temperature

Parameter Measurement Information (continued)

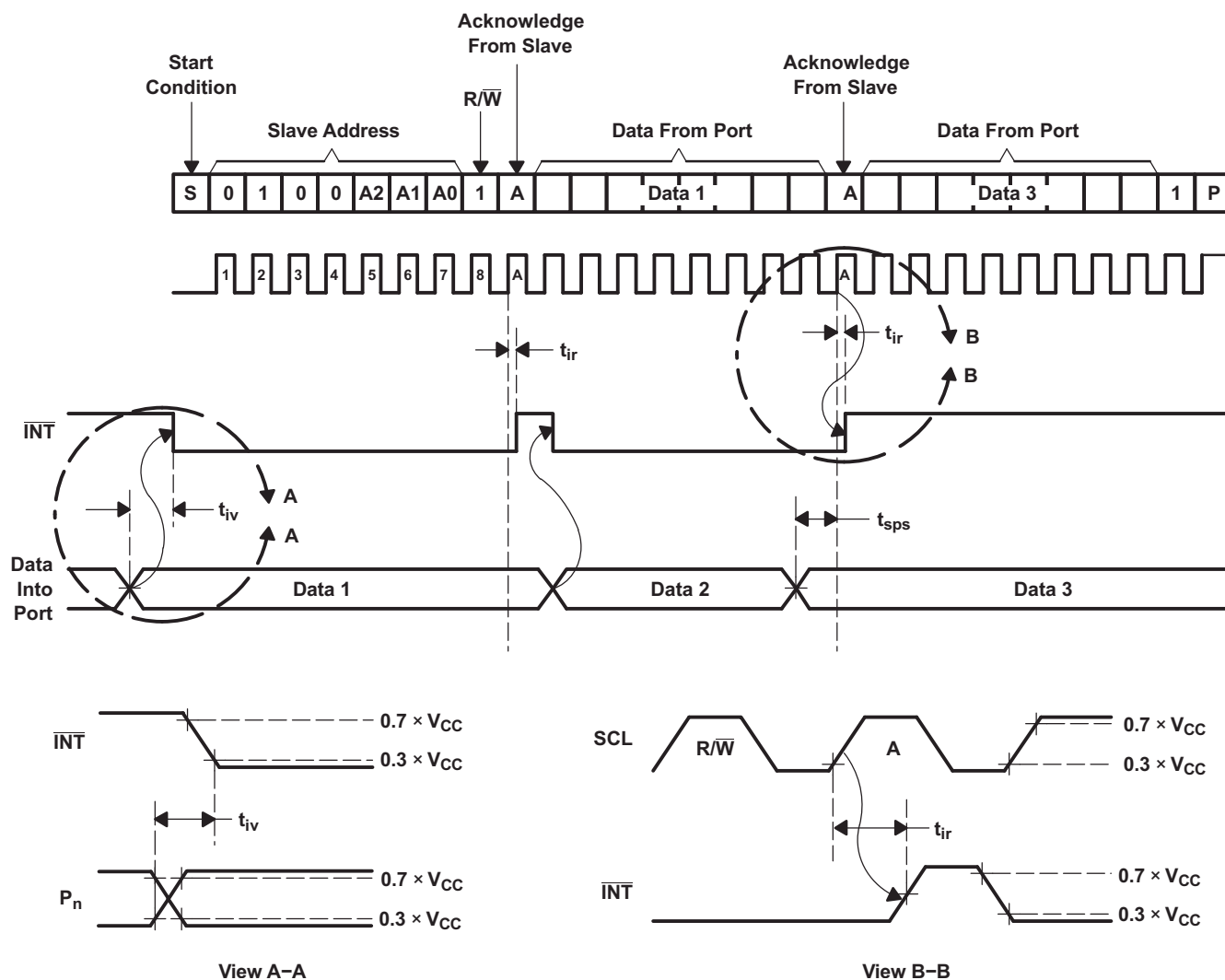


Figure 13. Interrupt Voltage Waveforms

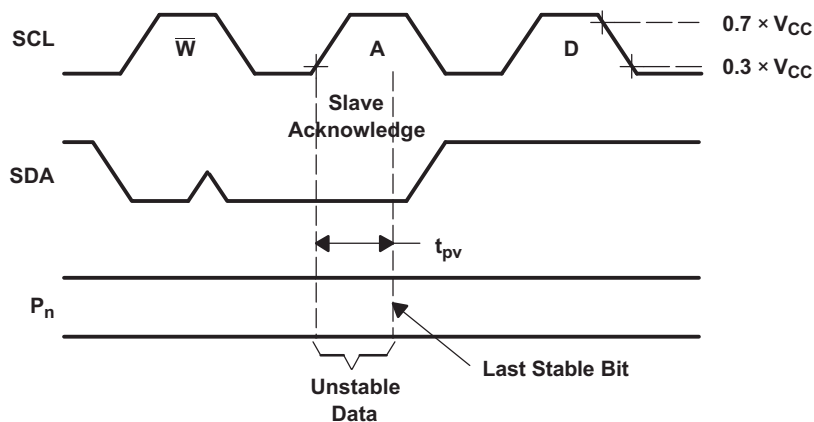
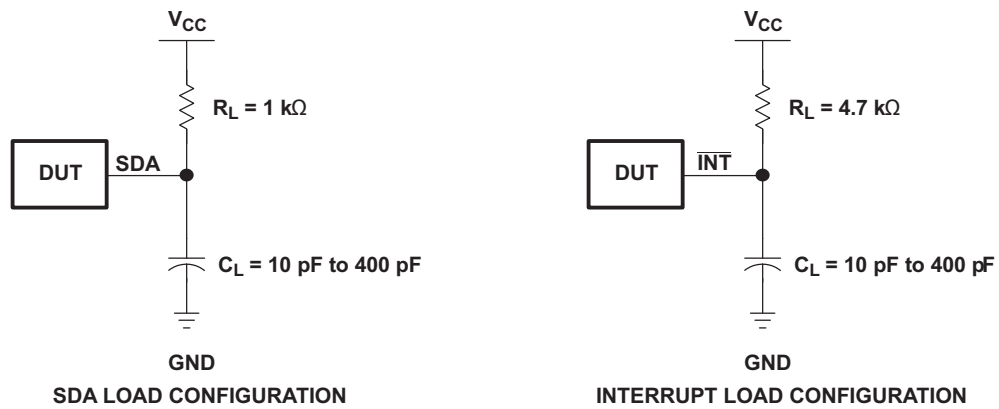


Figure 14. I²C Write Voltage Waveforms

Parameter Measurement Information (continued)

Figure 15. Load Circuits

8 Detailed Description

8.1 Overview

The PCF8574A device provides general-purpose remote I/O expansion for most microcontroller families via the I²C interface [serial clock (SCL), serial data (SDA)].

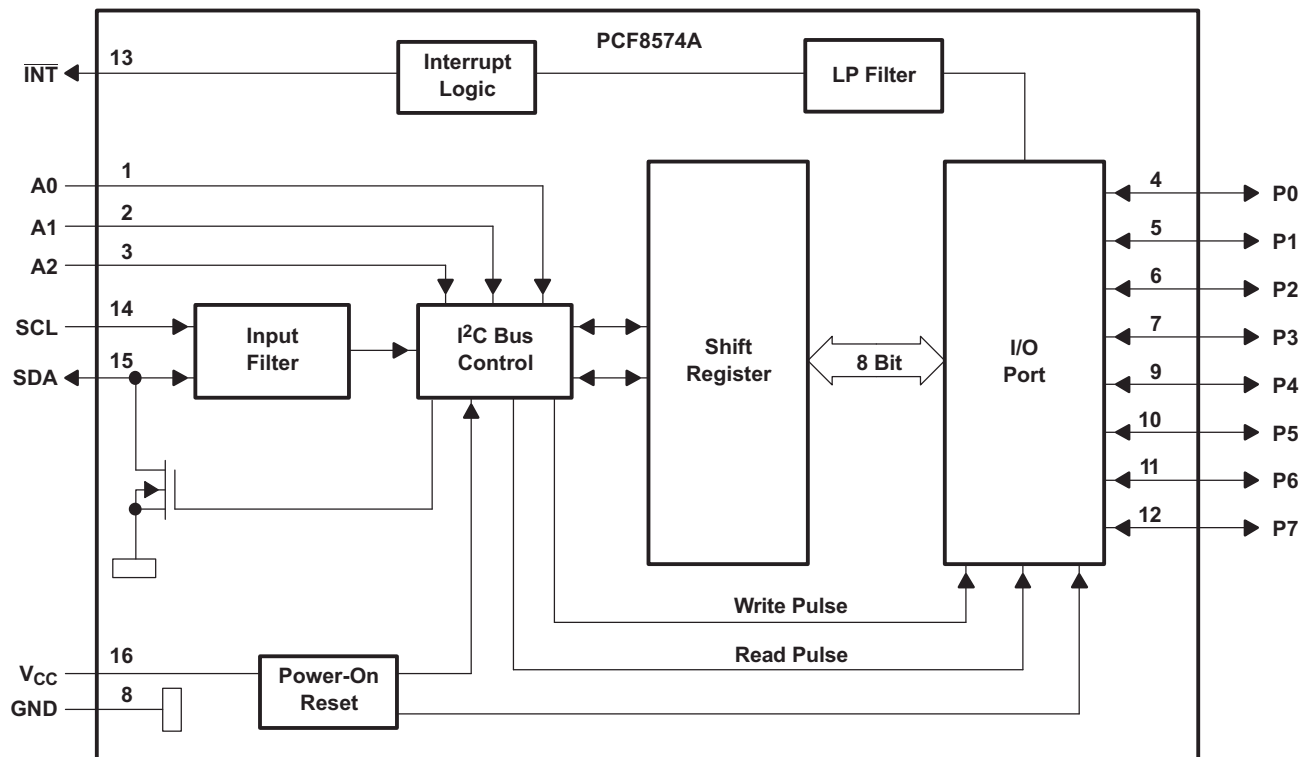
The device features an 8-bit quasi-bidirectional I/O port (P0–P7), including latched outputs with high-current drive capability for directly driving LEDs. Each quasi-bidirectional I/O can be used as an input or output without the use of a data-direction control signal. At power on, the I/Os are high. In this mode, only a current source to V_{CC} is active. An additional strong pullup to V_{CC} allows fast rising edges into heavily loaded outputs. This device turns on when an output is written high and is switched off by the negative edge of SCL. The I/Os should be high before being used as inputs.

The PCF8574A device provides an open-drain output ($\overline{\text{INT}}$) that can be connected to the interrupt input of a microcontroller. An interrupt is generated by any rising or falling edge of the port inputs in the input mode. After time, t_{IV}, $\overline{\text{INT}}$ is valid. Resetting and reactivating the interrupt circuit is achieved when data on the port is changed to the original setting or data is read from, or written to, the port that generated the interrupt. Resetting occurs in the read mode at the acknowledge bit after the rising edge of the SCL signal, or in the write mode at the acknowledge bit after the high-to-low transition of the SCL signal. Interrupts that occur during the acknowledge clock pulse can be lost (or be very short) due to the resetting of the interrupt during this pulse. Each change of the I/Os after resetting is detected and, after the next rising clock edge, is transmitted as $\overline{\text{INT}}$. Reading from, or writing to, another device does not affect the interrupt circuit.

By sending an interrupt signal on this line, the remote I/O can inform the microcontroller if there is incoming data on its ports without having to communicate via the I²C bus. Therefore, the PCF8574A device can remain a simple slave device.

8.2 Functional Block Diagram

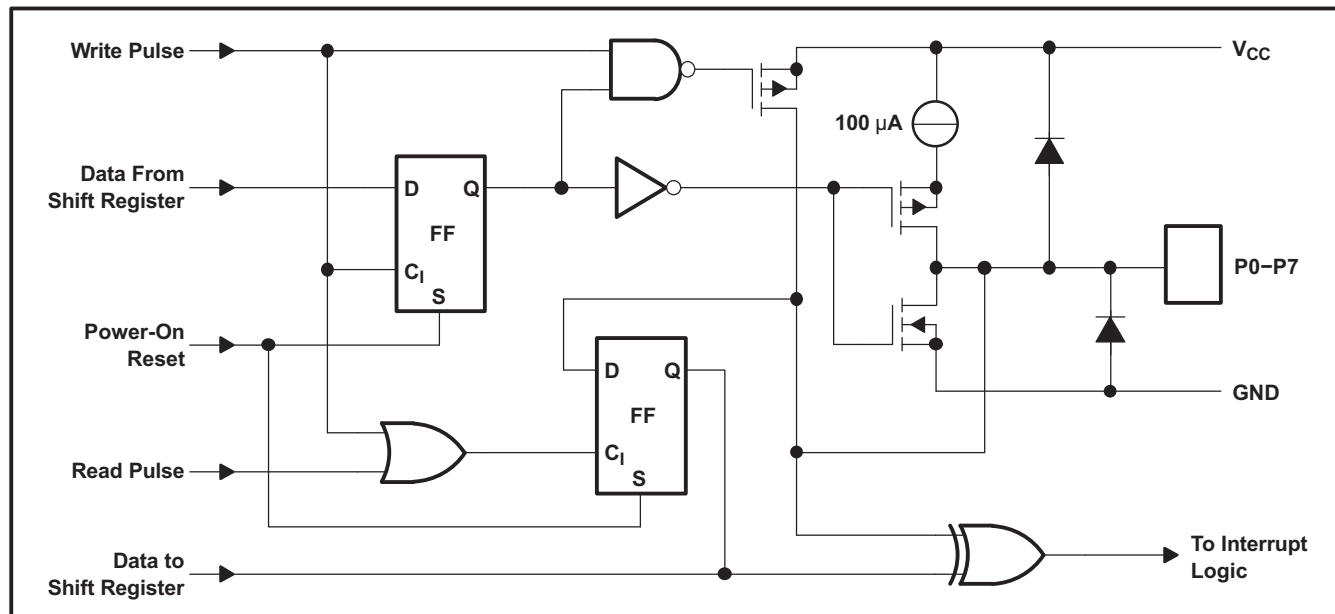
8.2.1 Simplified Block Diagram of Device



Pin numbers shown are for the DW and N packages.

Functional Block Diagram (continued)

8.2.2 Simplified Schematic Diagram of Each P-Port Input/Output



8.3 Feature Description

8.3.1 I²C Interface

I²C communication with this device is initiated by a master sending a start condition, a high-to-low transition on the SDA I/O while the SCL input is high. After the start condition, the device address byte is sent, most-significant bit (MSB) first, including the data direction bit (R/W). This device does not respond to the general call address. After receiving the valid address byte, this device responds with an acknowledge, a low on the SDA I/O during the high of the acknowledge-related clock pulse. The address inputs (A0–A2) of the slave device must not be changed between the start and the stop conditions.

The data byte follows the address acknowledge. If the R/W bit is high, the data from this device are the values read from the P port. If the R/W bit is low, the data are from the master, to be output to the P port. The data byte is followed by an acknowledge sent from this device. If other data bytes are sent from the master, following the acknowledge, they are ignored by this device. Data are output only if complete bytes are received and acknowledged. The output data will be valid at time, t_{pv} , after the low-to-high transition of SCL and during the clock cycle for the acknowledge.

A stop condition, a low-to-high transition on the SDA I/O while the SCL input is high, is sent by the master.

8.3.2 Interface Definition

| BYTE | BIT | | | | | | | |
|--------------------------------|---------|----|----|----|----|----|----|---------|
| | 7 (MSB) | 6 | 5 | 4 | 3 | 2 | 1 | 0 (LSB) |
| I ² C slave address | L | H | H | H | A2 | A1 | A0 | R/W |
| I/O data bus | P7 | P6 | P5 | P4 | P3 | P2 | P1 | P0 |

8.3.3 Address Reference

| INPUTS | | | I ² C BUS SLAVE 8-BIT READ ADDRESS | I ² C BUS SLAVE 8-BIT WRITE ADDRESS |
|--------|----|----|---|--|
| A2 | A1 | A0 | | |
| L | L | L | 113 (dec), 71 (hex) | 112 (dec), 70 (hex) |
| L | L | H | 115 (dec), 73 (hex) | 114 (dec), 72 (hex) |
| L | H | L | 117 (dec), 75 (hex) | 116 (dec), 74 (hex) |
| L | H | H | 119 (dec), 77 (hex) | 118 (dec), 76 (hex) |
| H | L | L | 121 (dec), 79 (hex) | 120 (dec), 78 (hex) |
| H | L | H | 123 (dec), 7B (hex) | 122 (dec), 7A (hex) |
| H | H | L | 125 (dec), 7D (hex) | 124 (dec), 7C (hex) |
| H | H | H | 127 (dec), 7F (hex) | 126 (dec), 7E (hex) |

8.4 Device Functional Modes

Figure 16 and Figure 17 show the address and timing diagrams for the write and read modes, respectively.

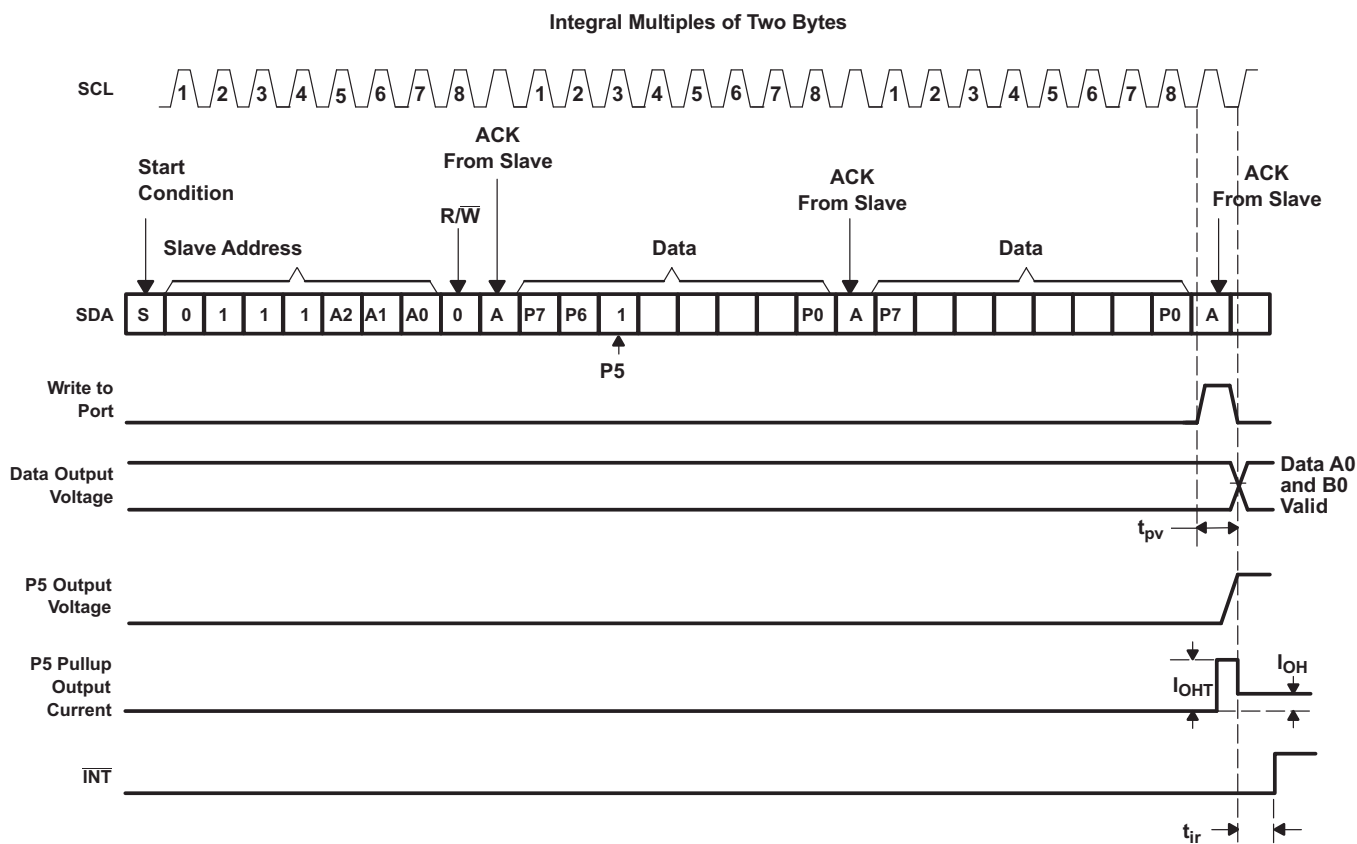
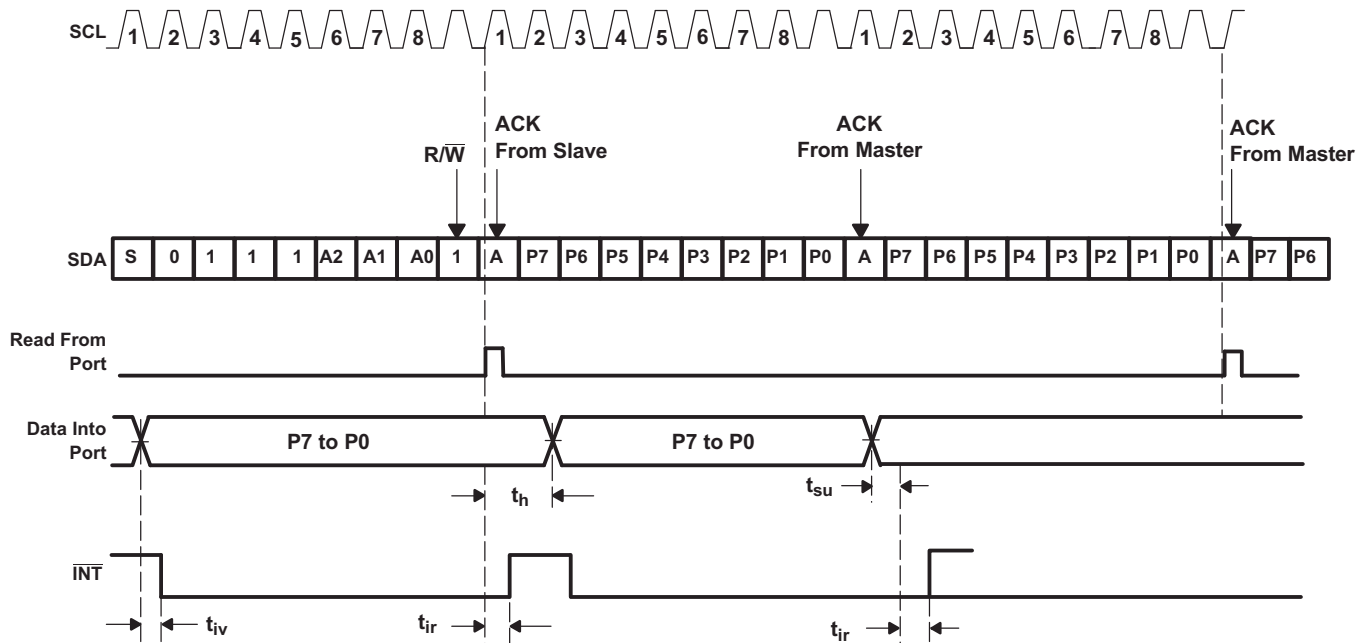


Figure 16. Write Mode (Output)

Device Functional Modes (continued)


- A. A low-to-high transition of SDA while SCL is high is defined as the stop condition (P). The transfer of data can be stopped at any moment by a stop condition. When this occurs, data present at the latest ACK phase is valid (output mode). Input data is lost.

Figure 17. Read Mode (Input)

9 Application and Implementation

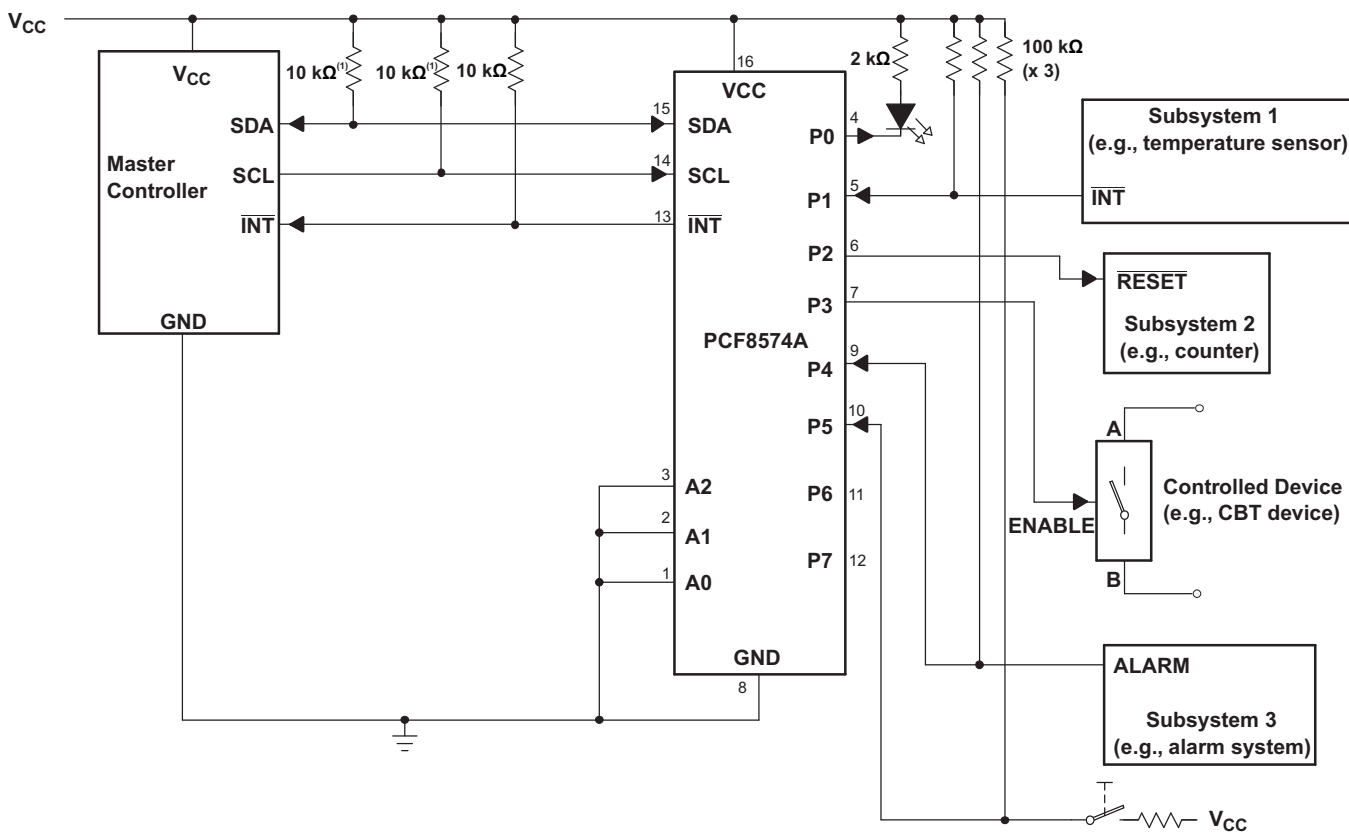
NOTE

Information in the following applications sections is not part of the TI component specification, and TI does not warrant its accuracy or completeness. TI's customers are responsible for determining suitability of components for their purposes. Customers should validate and test their design implementation to confirm system functionality.

9.1 Application Information

Figure 18 shows an application in which the PCF8574A device can be used.

9.2 Typical Application



- (1) The SCL and SDA pins must be pulled up to V_{CC} because if SCL and SDA are pulled up to an auxiliary power supply that could be powered on while V_{CC} is powered off, then the supply current, I_{CC} , will increase as a result.
- A. Device address is configured as 0100000 for this example.
- B. P0, P2, and P3 are configured as outputs.
- C. P1, P4, and P5 are configured as inputs.
- D. P6 and P7 are not used and must be configured as outputs.

Figure 18. Application Schematic

Typical Application (continued)

9.2.1 Design Requirements

9.2.1.1 Minimizing I_{CC} When I/Os Control LEDs

When the I/Os are used to control LEDs, normally they are connected to V_{CC} through a resistor as shown in Figure 27. For a P-port configured as an input, I_{CC} increases as V_I becomes lower than V_{CC} . The LED is a diode, with threshold voltage V_T , and when a P-port is configured as an input the LED will be off but V_I is a V_T drop below V_{CC} .

For battery-powered applications, it is essential that the voltage of P-ports controlling LEDs is greater than or equal to V_{CC} when the P-ports are configured as input to minimize current consumption. Figure 19 shows a high-value resistor in parallel with the LED. Figure 20 shows V_{CC} less than the LED supply voltage by at least V_T . Both of these methods maintain the I/O V_I at or above V_{CC} and prevents additional supply current consumption when the P-port is configured as an input and the LED is off.

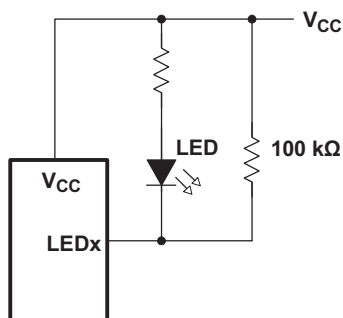


Figure 19. High-Value Resistor in Parallel With LED

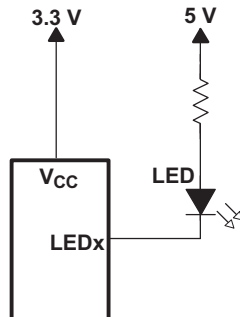


Figure 20. Device Supplied by a Lower Voltage

Typical Application (continued)

9.2.2 Detailed Design Procedure

The pull-up resistors, R_p , for the SCL and SDA lines need to be selected appropriately and take into consideration the total capacitance of all slaves on the I²C bus. The minimum pull-up resistance is a function of V_{CC} , $V_{OL(max)}$, and I_{OL} :

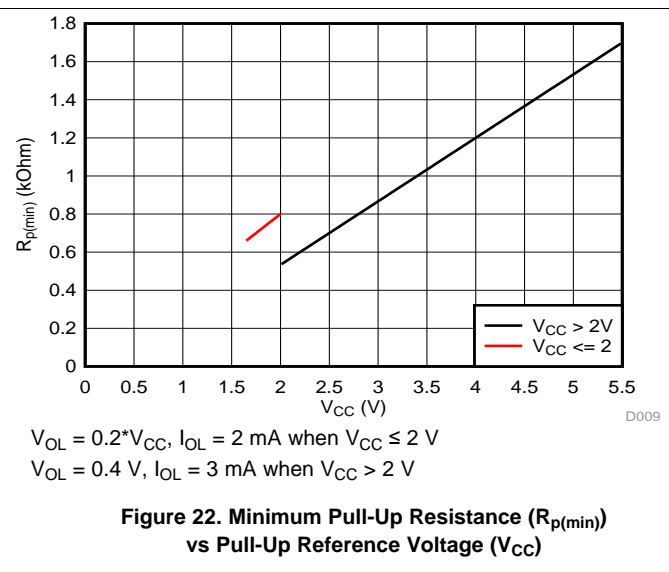
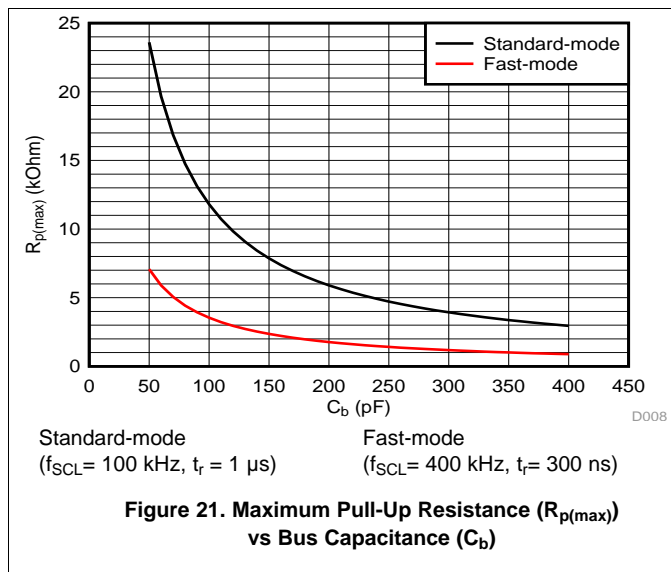
$$R_{p(min)} = \frac{V_{CC} - V_{OL(max)}}{I_{OL}} \tag{1}$$

The maximum pull-up resistance is a function of the maximum rise time, t_r (300 ns for fast-mode operation, $f_{SCL} = 400$ kHz) and bus capacitance, C_b :

$$R_{p(max)} = \frac{t_r}{0.8473 \times C_b} \tag{2}$$

The maximum bus capacitance for an I²C bus must not exceed 400 pF for standard-mode or fast-mode operation. The bus capacitance can be approximated by adding the capacitance of the PCF8574A device, C_i for SCL or C_{i0} for SDA, the capacitance of wires/connections/traces, and the capacitance of additional slaves on the bus.

9.2.3 Application Curves



10 Power Supply Recommendations

10.1 Power-On Reset Requirements

In the event of a glitch or data corruption, PCF8574A can be reset to its default conditions by using the power-on reset feature. Power-on reset requires that the device go through a power cycle to be completely reset. This reset also happens when the device is powered on for the first time in an application.

The two types of power-on reset are shown in [Figure 23](#) and [Figure 24](#).

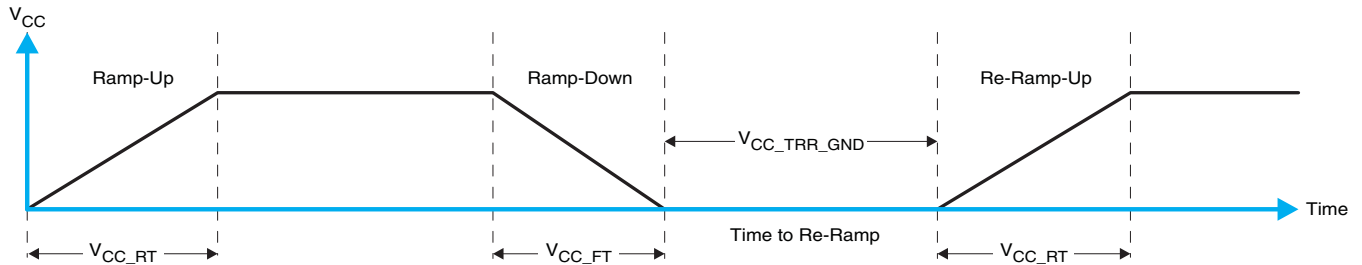


Figure 23. V_{CC} is Lowered Below 0.2 V or 0 V and Then Ramped Up to V_{CC}

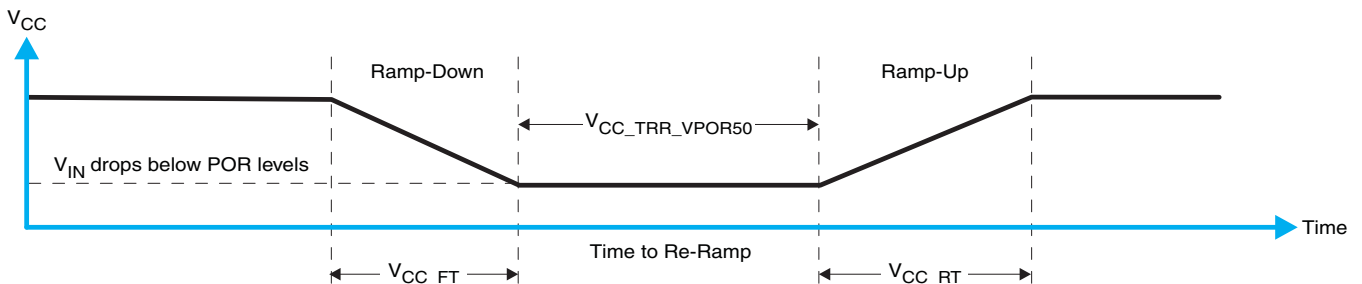


Figure 24. V_{CC} is Lowered Below the POR Threshold, Then Ramped Back Up to V_{CC}

[Table 1](#) specifies the performance of the power-on reset feature for PCF8574A for both types of power-on reset.

Table 1. Recommended Supply Sequencing and Ramp Rates⁽¹⁾

| PARAMETER | | | MIN | TYP | MAX | UNIT |
|-----------------------|---|-------------------------------|-------|-----|-------|---------|
| V_{CC_FT} | Fall rate | See Figure 23 | 1 | | 100 | ms |
| V_{CC_RT} | Rise rate | See Figure 23 | 0.01 | | 100 | ms |
| $V_{CC_TRR_GND}$ | Time to re-ramp (when V_{CC} drops to GND) | See Figure 23 | 0.001 | | | ms |
| $V_{CC_TRR_VPOR50}$ | Time to re-ramp (when V_{CC} drops to $V_{POR_MIN} - 50$ mV) | See Figure 24 | 0.001 | | | ms |
| V_{CC_GH} | Level that V_{CCP} can glitch down to, but not cause a functional disruption when $V_{CCX_GW} = 1$ μ s | See Figure 25 | | | 1.2 | V |
| V_{CC_GW} | Glitch width that will not cause a functional disruption when $V_{CCX_GH} = 0.5 \times V_{CCx}$ | See Figure 25 | | | | μ s |
| V_{PORF} | Voltage trip point of POR on falling V_{CC} | | 0.767 | | 1.144 | V |
| V_{PORR} | Voltage trip point of POR on rising V_{CC} | | 1.033 | | 1.428 | V |

(1) $T_A = -40^\circ\text{C}$ to 85°C (unless otherwise noted)

Glitches in the power supply can also affect the power-on reset performance of this device. The glitch width (V_{CC_GW}) and height (V_{CC_GH}) are dependent on each other. The bypass capacitance, source impedance, and device impedance are factors that affect power-on reset performance. Figure 25 and Table 1 provide more information on how to measure these specifications.



Figure 25. Glitch Width and Glitch Height

V_{POR} is critical to the power-on reset. V_{POR} is the voltage level at which the reset condition is released and all the registers and the I²C/SMBus state machine are initialized to their default states. The value of V_{POR} differs based on the V_{CC} being lowered to or from 0. Figure 26 and Table 1 provide more details on this specification.

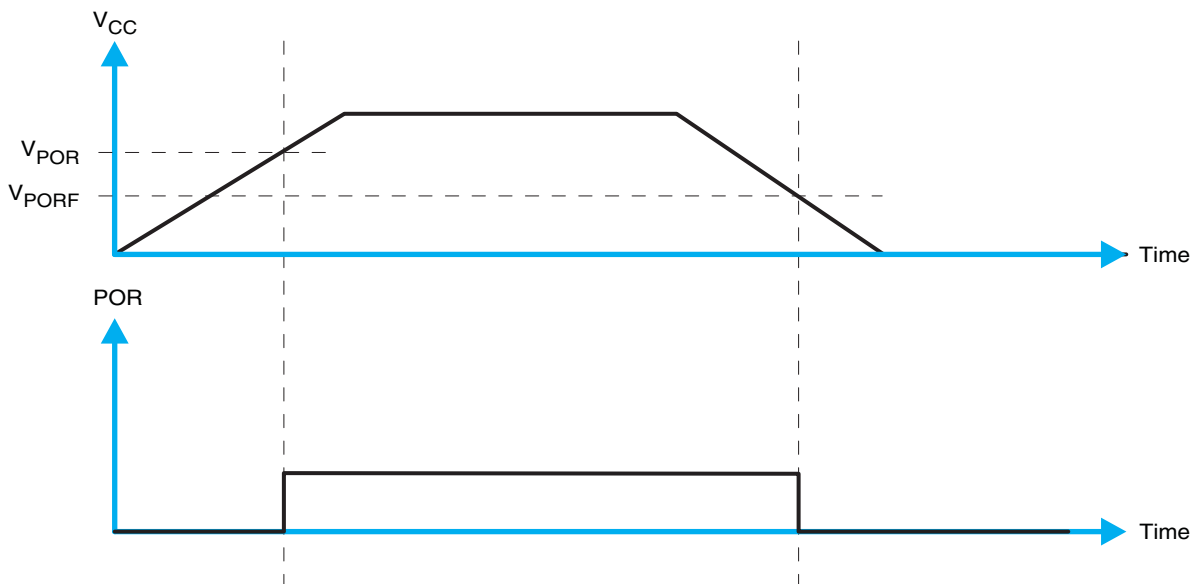


Figure 26. V_{POR}

11 Layout

11.1 Layout Guidelines

For printed circuit board (PCB) layout of PCF8574A, common PCB layout practices should be followed but additional concerns related to high-speed data transfer such as matched impedances and differential pairs are not a concern for I2C signal speeds.

In all PCB layouts, it is a best practice to avoid right angles in signal traces, to fan out signal traces away from each other upon leaving the vicinity of an integrated circuit (IC), and to use thicker trace widths to carry higher amounts of current that commonly pass through power and ground traces. By-pass and de-coupling capacitors are commonly used to control the voltage on the V_{CC} pin, using a larger capacitor to provide additional power in the event of a short power supply glitch and a smaller capacitor to filter out high-frequency ripple. These capacitors should be placed as close to the PCF8574A device as possible. These best practices are shown in [Figure 27](#).

For the layout example provided in [Figure 27](#), it would be possible to fabricate a PCB with only 2 layers by using the top layer for signal routing and the bottom layer as a split plane for power (V_{CC}) and ground (GND). However, a 4 layer board is preferable for boards with higher density signal routing. On a 4 layer PCB, it is common to route signals on the top and bottom layer, dedicate one internal layer to a ground plane, and dedicate the other internal layer to a power plane. In a board layout using planes or split planes for power and ground, vias are placed directly next to the surface mount component pad which needs to attach to V_{CC} or GND and the via is connected electrically to the internal layer or the other side of the board. Vias are also used when a signal trace needs to be routed to the opposite side of the board, but this technique is not demonstrated in [Figure 27](#).

11.2 Layout Example

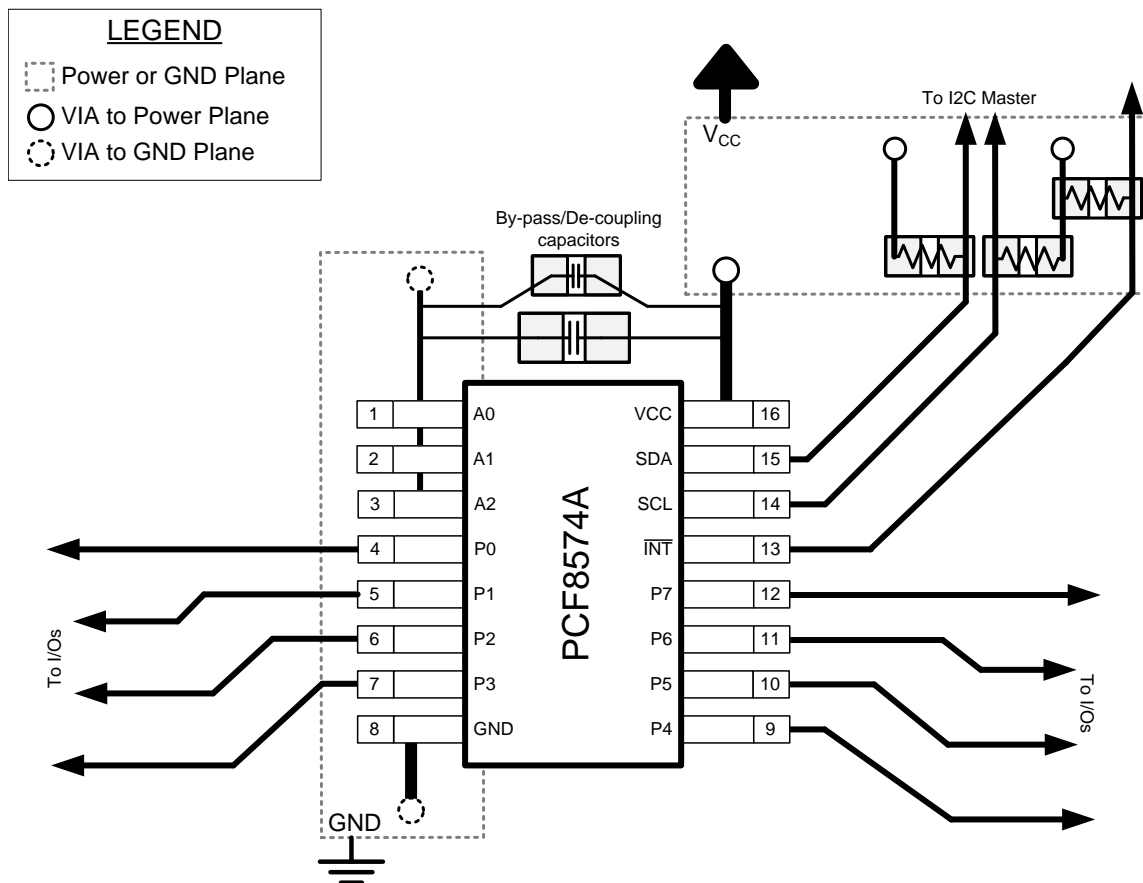


Figure 27. Layout Example for PCF8574A

12 Device and Documentation Support

12.1 Trademarks

All trademarks are the property of their respective owners.

12.2 Electrostatic Discharge Caution



These devices have limited built-in ESD protection. The leads should be shorted together or the device placed in conductive foam during storage or handling to prevent electrostatic damage to the MOS gates.

12.3 Glossary

[SLYZ022](#) — *TI Glossary*.

This glossary lists and explains terms, acronyms and definitions.

13 Mechanical, Packaging, and Orderable Information

The following pages include mechanical packaging and orderable information. This information is the most current data available for the designated devices. This data is subject to change without notice and revision of this document. For browser based versions of this data sheet, refer to the left hand navigation.

PACKAGING INFORMATION

| Orderable Device | Status (1) | Package Type | Package Drawing | Pins | Package Qty | Eco Plan (2) | Lead/Ball Finish (6) | MSL Peak Temp (3) | Op Temp (°C) | Device Marking (4/5) | Samples |
|------------------|---------------|--------------|--------------------|------|----------------|----------------------------|-------------------------|----------------------|--------------|-------------------------|-------------------------|
| PCF8574ADGVR | ACTIVE | TVSOP | DGV | 20 | 2000 | Green (RoHS & no Sb/Br) | CU NIPDAU | Level-1-260C-UNLIM | -40 to 85 | PF574A | Samples |
| PCF8574ADGVRG4 | ACTIVE | TVSOP | DGV | 20 | 2000 | Green (RoHS & no Sb/Br) | CU NIPDAU | Level-1-260C-UNLIM | -40 to 85 | PF574A | Samples |
| PCF8574ADW | ACTIVE | SOIC | DW | 16 | 40 | Green (RoHS & no Sb/Br) | CU NIPDAU | Level-1-260C-UNLIM | -40 to 85 | PCF8574A | Samples |
| PCF8574ADWE4 | ACTIVE | SOIC | DW | 16 | 40 | Green (RoHS & no Sb/Br) | CU NIPDAU | Level-1-260C-UNLIM | -40 to 85 | PCF8574A | Samples |
| PCF8574ADWG4 | ACTIVE | SOIC | DW | 16 | 40 | Green (RoHS & no Sb/Br) | CU NIPDAU | Level-1-260C-UNLIM | -40 to 85 | PCF8574A | Samples |
| PCF8574ADWR | ACTIVE | SOIC | DW | 16 | 2000 | Green (RoHS & no Sb/Br) | CU NIPDAU | Level-1-260C-UNLIM | -40 to 85 | PCF8574A | Samples |
| PCF8574AN | ACTIVE | PDIP | N | 16 | 25 | Green (RoHS & no Sb/Br) | CU NIPDAU | N / A for Pkg Type | -40 to 85 | PCF8574AN | Samples |
| PCF8574ANE4 | ACTIVE | PDIP | N | 16 | 25 | Green (RoHS & no Sb/Br) | CU NIPDAU | N / A for Pkg Type | -40 to 85 | PCF8574AN | Samples |
| PCF8574APW | ACTIVE | TSSOP | PW | 20 | 70 | Green (RoHS & no Sb/Br) | CU NIPDAU | Level-1-260C-UNLIM | -40 to 85 | PF574A | Samples |
| PCF8574APWG4 | ACTIVE | TSSOP | PW | 20 | 70 | Green (RoHS & no Sb/Br) | CU NIPDAU | Level-1-260C-UNLIM | -40 to 85 | PF574A | Samples |
| PCF8574APWR | ACTIVE | TSSOP | PW | 20 | 2000 | Green (RoHS & no Sb/Br) | CU NIPDAU | Level-1-260C-UNLIM | -40 to 85 | PF574A | Samples |
| PCF8574APWRE4 | ACTIVE | TSSOP | PW | 20 | 2000 | Green (RoHS & no Sb/Br) | CU NIPDAU | Level-1-260C-UNLIM | -40 to 85 | PF574A | Samples |
| PCF8574APWRG4 | ACTIVE | TSSOP | PW | 20 | 2000 | Green (RoHS & no Sb/Br) | CU NIPDAU | Level-1-260C-UNLIM | -40 to 85 | PF574A | Samples |
| PCF8574ARGYR | ACTIVE | VQFN | RGY | 20 | 3000 | Green (RoHS & no Sb/Br) | CU NIPDAU | Level-2-260C-1 YEAR | -40 to 85 | PF574A | Samples |
| PCF8574ARGYRG4 | ACTIVE | VQFN | RGY | 20 | 3000 | Green (RoHS & no Sb/Br) | CU NIPDAU | Level-2-260C-1 YEAR | -40 to 85 | PF574A | Samples |

(1) The marketing status values are defined as follows:

ACTIVE: Product device recommended for new designs.

LIFEBUY: TI has announced that the device will be discontinued, and a lifetime-buy period is in effect.

NRND: Not recommended for new designs. Device is in production to support existing customers, but TI does not recommend using this part in a new design.

PREVIEW: Device has been announced but is not in production. Samples may or may not be available.

OBSELETE: TI has discontinued the production of the device.

⁽²⁾ **RoHS:** TI defines "RoHS" to mean semiconductor products that are compliant with the current EU RoHS requirements for all 10 RoHS substances, including the requirement that RoHS substance do not exceed 0.1% by weight in homogeneous materials. Where designed to be soldered at high temperatures, "RoHS" products are suitable for use in specified lead-free processes. TI may reference these types of products as "Pb-Free".

RoHS Exempt: TI defines "RoHS Exempt" to mean products that contain lead but are compliant with EU RoHS pursuant to a specific EU RoHS exemption.

Green: TI defines "Green" to mean the content of Chlorine (Cl) and Bromine (Br) based flame retardants meet JS709B low halogen requirements of ≤ 1000 ppm threshold. Antimony trioxide based flame retardants must also meet the ≤ 1000 ppm threshold requirement.

⁽³⁾ MSL, Peak Temp. - The Moisture Sensitivity Level rating according to the JEDEC industry standard classifications, and peak solder temperature.

⁽⁴⁾ There may be additional marking, which relates to the logo, the lot trace code information, or the environmental category on the device.

⁽⁵⁾ Multiple Device Markings will be inside parentheses. Only one Device Marking contained in parentheses and separated by a "~" will appear on a device. If a line is indented then it is a continuation of the previous line and the two combined represent the entire Device Marking for that device.

⁽⁶⁾ Lead/Ball Finish - Orderable Devices may have multiple material finish options. Finish options are separated by a vertical ruled line. Lead/Ball Finish values may wrap to two lines if the finish value exceeds the maximum column width.

Important Information and Disclaimer: The information provided on this page represents TI's knowledge and belief as of the date that it is provided. TI bases its knowledge and belief on information provided by third parties, and makes no representation or warranty as to the accuracy of such information. Efforts are underway to better integrate information from third parties. TI has taken and continues to take reasonable steps to provide representative and accurate information but may not have conducted destructive testing or chemical analysis on incoming materials and chemicals. TI and TI suppliers consider certain information to be proprietary, and thus CAS numbers and other limited information may not be available for release.

In no event shall TI's liability arising out of such information exceed the total purchase price of the TI part(s) at issue in this document sold by TI to Customer on an annual basis.

TAPE AND REEL INFORMATION



QUADRANT ASSIGNMENTS FOR PIN 1 ORIENTATION IN TAPE



*All dimensions are nominal

| Device | Package Type | Package Drawing | Pins | SPQ | Reel Diameter (mm) | Reel Width W1 (mm) | A0 (mm) | B0 (mm) | K0 (mm) | P1 (mm) | W (mm) | Pin1 Quadrant |
|--------------|--------------|-----------------|------|------|--------------------|--------------------|---------|---------|---------|---------|--------|---------------|
| PCF8574ADGVR | TVSOP | DGV | 20 | 2000 | 330.0 | 12.4 | 6.9 | 5.6 | 1.6 | 8.0 | 12.0 | Q1 |
| PCF8574ADWR | SOIC | DW | 16 | 2000 | 330.0 | 16.4 | 10.75 | 10.7 | 2.7 | 12.0 | 16.0 | Q1 |
| PCF8574ARGYR | VQFN | RGY | 20 | 3000 | 330.0 | 12.4 | 3.8 | 4.8 | 1.6 | 8.0 | 12.0 | Q1 |

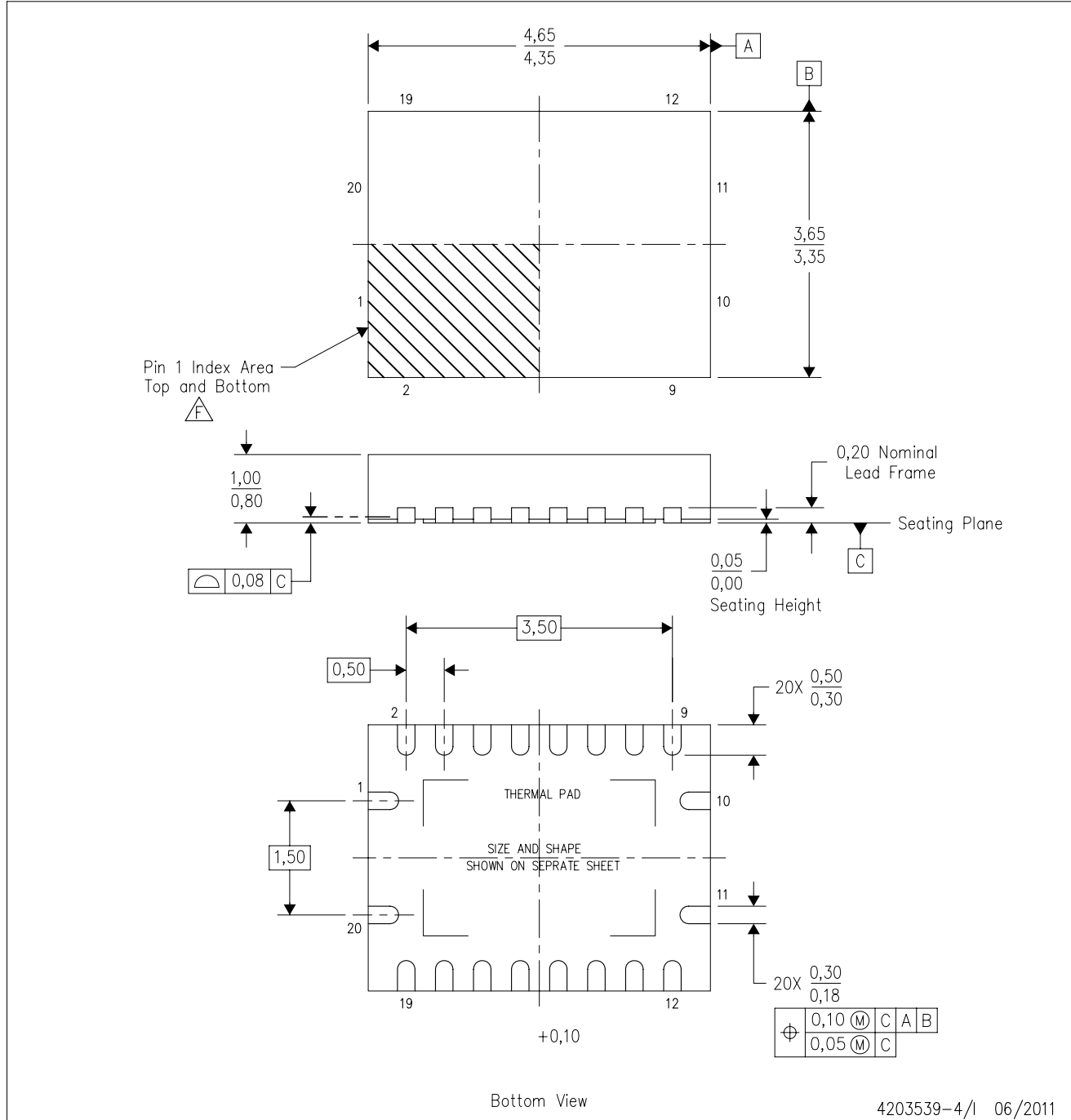
TAPE AND REEL BOX DIMENSIONS


*All dimensions are nominal

| Device | Package Type | Package Drawing | Pins | SPQ | Length (mm) | Width (mm) | Height (mm) |
|--------------|--------------|-----------------|------|------|-------------|------------|-------------|
| PCF8574ADGVR | TVSOP | DGV | 20 | 2000 | 367.0 | 367.0 | 35.0 |
| PCF8574ADWR | SOIC | DW | 16 | 2000 | 350.0 | 350.0 | 43.0 |
| PCF8574ARGYR | VQFN | RGY | 20 | 3000 | 367.0 | 367.0 | 35.0 |

RGY (R-PVQFN-N20)

PLASTIC QUAD FLATPACK NO-LEAD



- NOTES:
- A. All linear dimensions are in millimeters. Dimensioning and tolerancing per ASME Y14.5M-1994.
 - B. This drawing is subject to change without notice.
 - C. QFN (Quad Flatpack No-Lead) package configuration.
 - D. The package thermal pad must be soldered to the board for thermal and mechanical performance.
 - E. See the additional figure in the Product Data Sheet for details regarding the exposed thermal pad features and dimensions.
 - F. Pin 1 identifiers are located on both top and bottom of the package and within the zone indicated. The Pin 1 identifiers are either a molded, marked, or metal feature.
 - G. Package complies to JEDEC MO-241 variation BA.

RGY (R-PVQFN-N20)

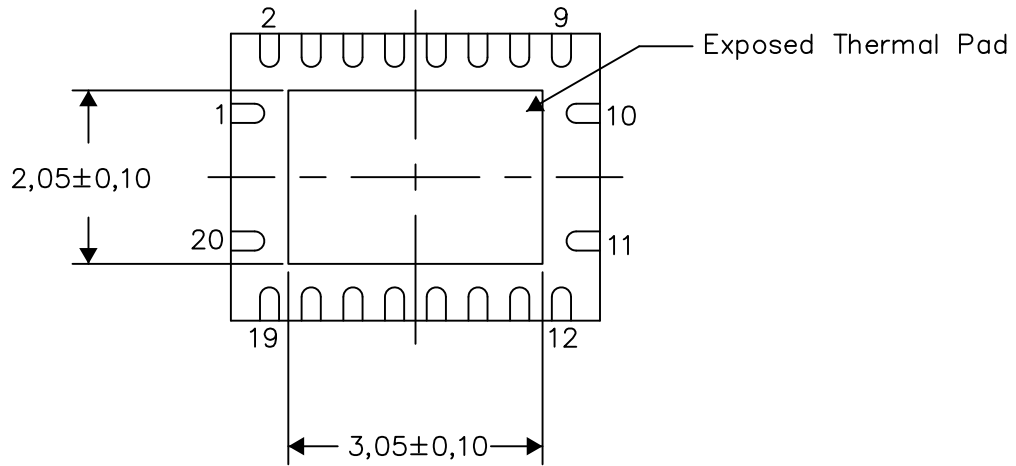
PLASTIC QUAD FLATPACK NO-LEAD

THERMAL INFORMATION

This package incorporates an exposed thermal pad that is designed to be attached directly to an external heatsink. The thermal pad must be soldered directly to the printed circuit board (PCB). After soldering, the PCB can be used as a heatsink. In addition, through the use of thermal vias, the thermal pad can be attached directly to the appropriate copper plane shown in the electrical schematic for the device, or alternatively, can be attached to a special heatsink structure designed into the PCB. This design optimizes the heat transfer from the integrated circuit (IC).

For information on the Quad Flatpack No-Lead (QFN) package and its advantages, refer to Application Report, QFN/SON PCB Attachment, Texas Instruments Literature No. SLUA271. This document is available at www.ti.com.

The exposed thermal pad dimensions for this package are shown in the following illustration.



Bottom View

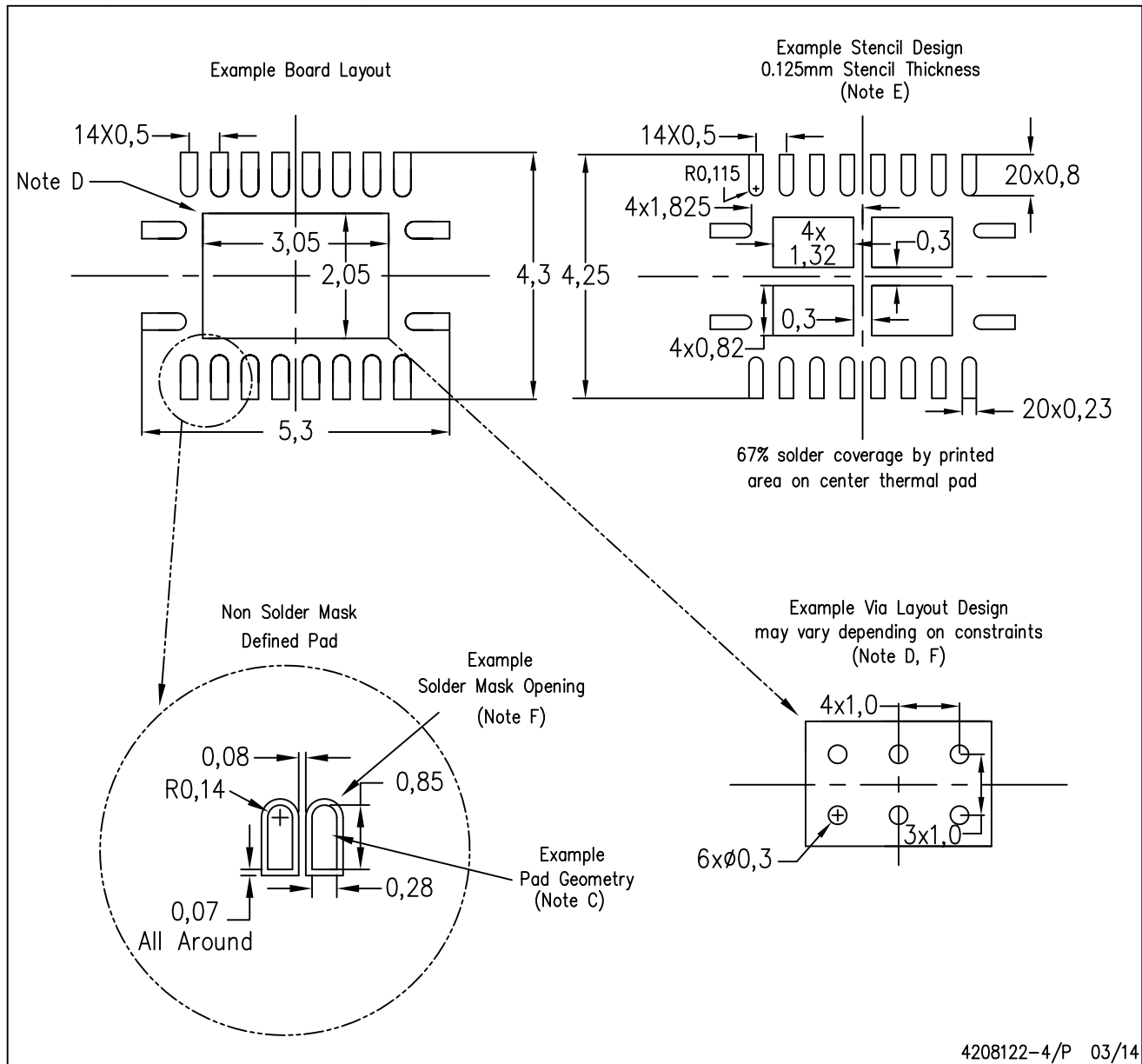
Exposed Thermal Pad Dimensions

4206353-4/P 03/14

NOTE: All linear dimensions are in millimeters

RGY (R-PVQFN-N20)

PLASTIC QUAD FLATPACK NO-LEAD



- NOTES:
- A. All linear dimensions are in millimeters.
 - B. This drawing is subject to change without notice.
 - C. Publication IPC-7351 is recommended for alternate designs.
 - D. This package is designed to be soldered to a thermal pad on the board. Refer to Application Note, Quad Flat-Pack QFN/SON PCB Attachment, Texas Instruments Literature No. SLUA271, and also the Product Data Sheets for specific thermal information, via requirements, and recommended board layout. These documents are available at www.ti.com <<http://www.ti.com>>.
 - E. Laser cutting apertures with trapezoidal walls and also rounding corners will offer better paste release. Customers should contact their board assembly site for stencil design recommendations. Refer to IPC 7525 for stencil design considerations.
 - F. Customers should contact their board fabrication site for minimum solder mask web tolerances between signal pads.

DGV (R-PDSO-G**)

PLASTIC SMALL-OUTLINE

24 PINS SHOWN



- NOTES: A. All linear dimensions are in millimeters.
 B. This drawing is subject to change without notice.
 C. Body dimensions do not include mold flash or protrusion, not to exceed 0,15 per side.
 D. Falls within JEDEC: 24/48 Pins – MO-153
 14/16/20/56 Pins – MO-194

PW (R-PDSO-G20)

PLASTIC SMALL OUTLINE



- NOTES:
- A. All linear dimensions are in millimeters.
 - B. This drawing is subject to change without notice.
 - C. Publication IPC-7351 is recommended for alternate design.
 - D. Laser cutting apertures with trapezoidal walls and also rounding corners will offer better paste release. Customers should contact their board assembly site for stencil design recommendations. Refer to IPC-7525 for other stencil recommendations.
 - E. Customers should contact their board fabrication site for solder mask tolerances between and around signal pads.

GENERIC PACKAGE VIEW

DW 16

SOIC - 2.65 mm max height

7.5 x 10.3, 1.27 mm pitch

SMALL OUTLINE INTEGRATED CIRCUIT

This image is a representation of the package family, actual package may vary.
Refer to the product data sheet for package details.



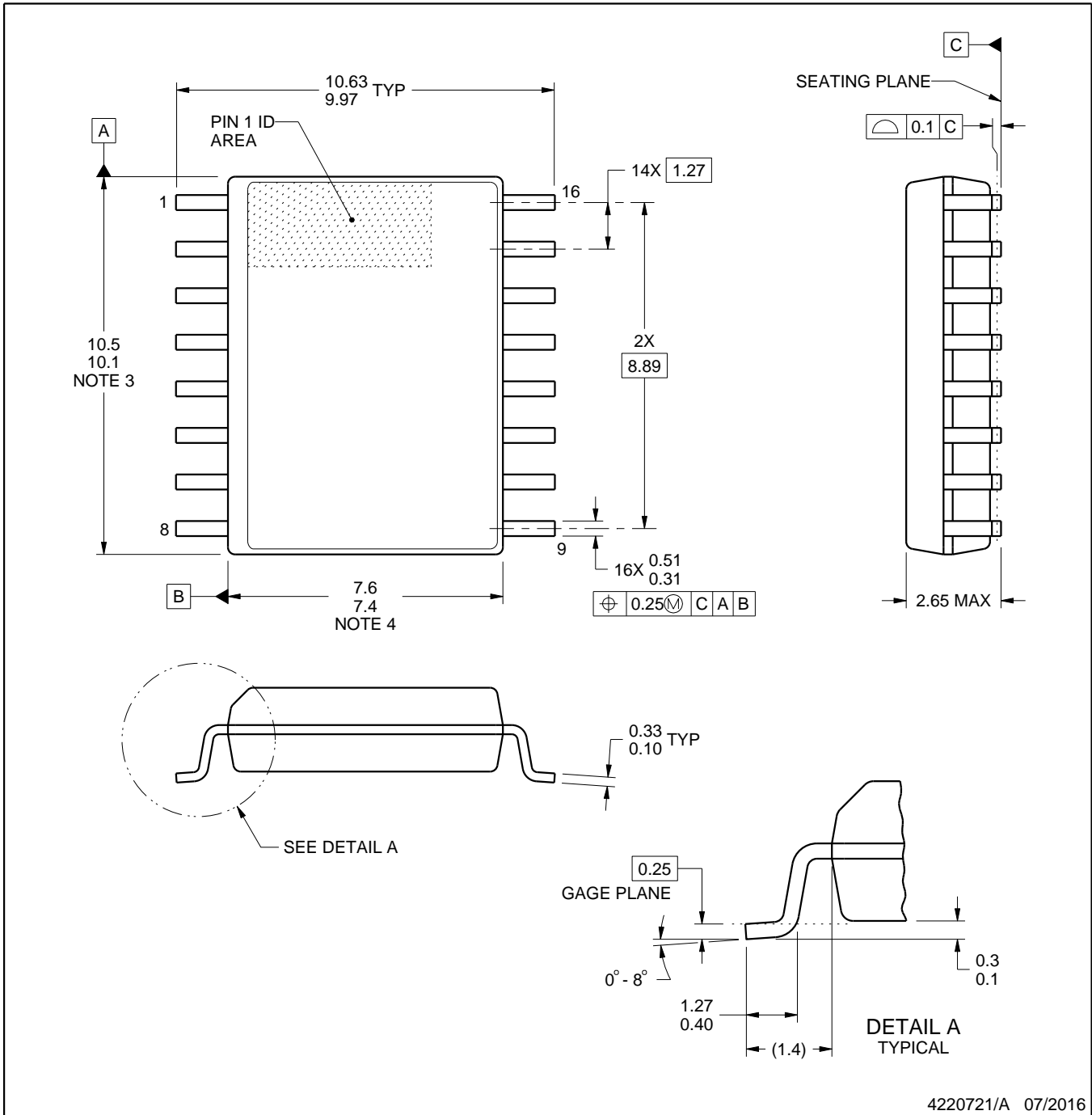
4224780/A



DW0016A

PACKAGE OUTLINE SOIC - 2.65 mm max height

SOIC



4220721/A 07/2016

NOTES:

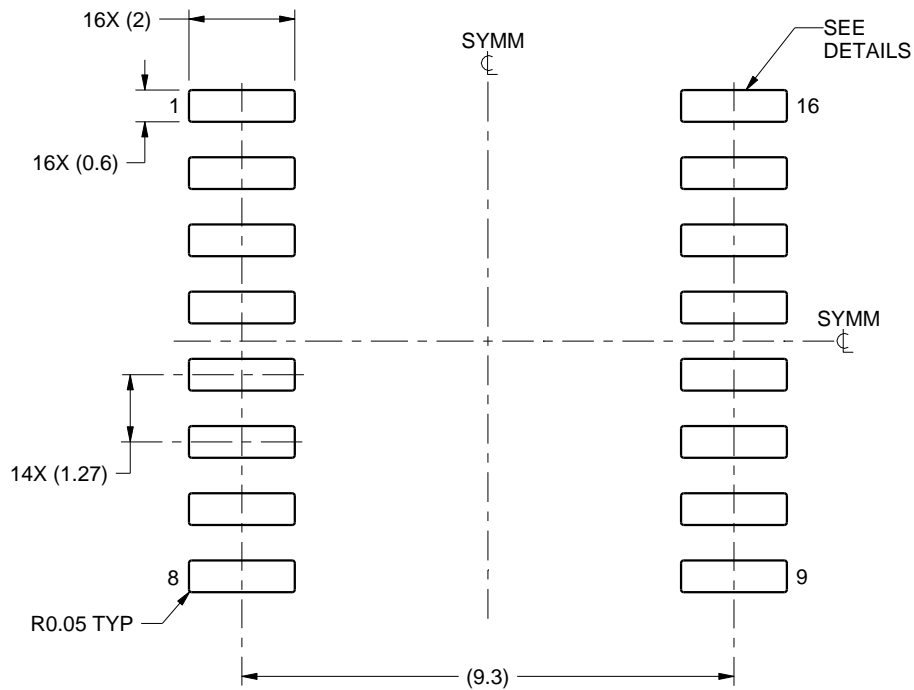
1. All linear dimensions are in millimeters. Dimensions in parenthesis are for reference only. Dimensioning and tolerancing per ASME Y14.5M.
2. This drawing is subject to change without notice.
3. This dimension does not include mold flash, protrusions, or gate burrs. Mold flash, protrusions, or gate burrs shall not exceed 0.15 mm, per side.
4. This dimension does not include interlead flash. Interlead flash shall not exceed 0.25 mm, per side.
5. Reference JEDEC registration MS-013.

EXAMPLE BOARD LAYOUT

DW0016A

SOIC - 2.65 mm max height

SOIC



LAND PATTERN EXAMPLE
SCALE:7X



SOLDER MASK DETAILS

4220721/A 07/2016

NOTES: (continued)

6. Publication IPC-7351 may have alternate designs.

7. Solder mask tolerances between and around signal pads can vary based on board fabrication site.

EXAMPLE STENCIL DESIGN

DW0016A

SOIC - 2.65 mm max height

SOIC



SOLDER PASTE EXAMPLE
BASED ON 0.125 mm THICK STENCIL
SCALE:7X

4220721/A 07/2016

NOTES: (continued)

8. Laser cutting apertures with trapezoidal walls and rounded corners may offer better paste release. IPC-7525 may have alternate design recommendations.
9. Board assembly site may have different recommendations for stencil design.

N (R-PDIP-T**)

PLASTIC DUAL-IN-LINE PACKAGE

16 PINS SHOWN



- NOTES:
- A. All linear dimensions are in inches (millimeters).
 - B. This drawing is subject to change without notice.
 - $\triangle C$ Falls within JEDEC MS-001, except 18 and 20 pin minimum body length (Dim A).
 - $\triangle D$ The 20 pin end lead shoulder width is a vendor option, either half or full width.

4040049/E 12/2002

IMPORTANT NOTICE AND DISCLAIMER

TI PROVIDES TECHNICAL AND RELIABILITY DATA (INCLUDING DATASHEETS), DESIGN RESOURCES (INCLUDING REFERENCE DESIGNS), APPLICATION OR OTHER DESIGN ADVICE, WEB TOOLS, SAFETY INFORMATION, AND OTHER RESOURCES "AS IS" AND WITH ALL FAULTS, AND DISCLAIMS ALL WARRANTIES, EXPRESS AND IMPLIED, INCLUDING WITHOUT LIMITATION ANY IMPLIED WARRANTIES OF MERCHANTABILITY, FITNESS FOR A PARTICULAR PURPOSE OR NON-INFRINGEMENT OF THIRD PARTY INTELLECTUAL PROPERTY RIGHTS.

These resources are intended for skilled developers designing with TI products. You are solely responsible for (1) selecting the appropriate TI products for your application, (2) designing, validating and testing your application, and (3) ensuring your application meets applicable standards, and any other safety, security, or other requirements. These resources are subject to change without notice. TI grants you permission to use these resources only for development of an application that uses the TI products described in the resource. Other reproduction and display of these resources is prohibited. No license is granted to any other TI intellectual property right or to any third party intellectual property right. TI disclaims responsibility for, and you will fully indemnify TI and its representatives against, any claims, damages, costs, losses, and liabilities arising out of your use of these resources.

TI's products are provided subject to TI's Terms of Sale (www.ti.com/legal/termsofsale.html) or other applicable terms available either on ti.com or provided in conjunction with such TI products. TI's provision of these resources does not expand or otherwise alter TI's applicable warranties or warranty disclaimers for TI products.

Mailing Address: Texas Instruments, Post Office Box 655303, Dallas, Texas 75265
Copyright © 2019, Texas Instruments Incorporated

Looking for pricing, stock, or lifecycle information?

Click below to explore more details on WIN SOURCE:

 [View PCF8574ADWRG4 on WIN SOURCE](#)

 [Texas Instruments](#) Information

Optimize Your Supply Chain with WIN SOURCE Solutions

-  Global Sourcing Solution
-  Obsolete Management
-  Cost Control Management
-  Shortage Management
-  Alternative Solution
-  Excess Inventory Management