



**THE DATASHEET OF  
BA5152F**



# 1.5V / 15mW dual power amplifier

## BA5152F

The BA5152F is a dual-channel power amplifier designed for 1.5V headphone stereos. The circuit consists of a power supply circuit, mute circuit, bias circuit, and two amplifier circuits. To simplify assembly, the gain is fixed, so external negative-feedback components are not required.

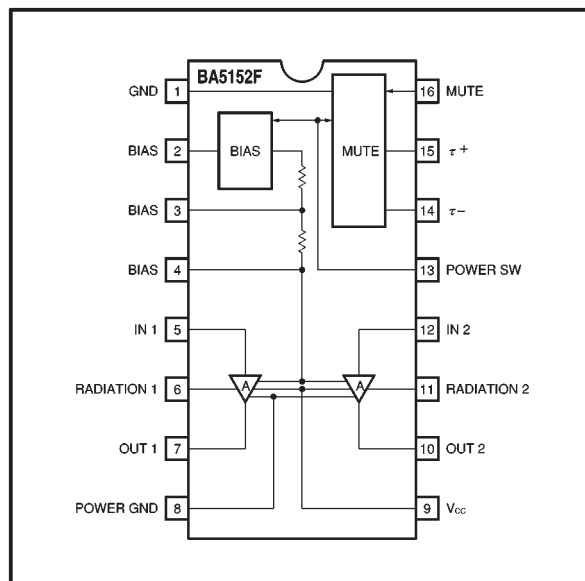
### ●Applications

1.5V headphone Hi-Fi stereos

### ●Features

- 1) High output.  $P_{OUT} = 15\text{mW}$  ( $R_L = 16\Omega$ ).
- 2) Small "pop" noise.
- 3) Mute circuit terminal provided.
- 4) Terminals provided for radiation countermeasures.
- 5) Good ripple rejection ratio.
- 6) Few external components required.
- 7) Good low-voltage characteristics.
- 8) Built-in power switch circuit.

### ●Block diagram



### ●Absolute maximum ratings ( $T_a = 25^\circ\text{C}$ )

Parameter	Symbol	Limits	Unit
Power supply voltage	$V_{CC}$	4.5	V
Power dissipation	$P_d$	500*	mW
Operating temperature	$T_{opr}$	$-25 \sim +75$	$^\circ\text{C}$
Storage temperature	$T_{stg}$	$-55 \sim +125$	$^\circ\text{C}$

\* Reduced by 5.0mW for each increase in  $T_a$  of  $1^\circ\text{C}$  over  $25^\circ\text{C}$  (when mounted on a  $50\text{mm} \times 50\text{mm} \times 1.6\text{mm}$  glass epoxy board).

● Recommended operating conditions (Ta = 25°C)

Parameter	Symbol	Min.	Typ.	Max.	Unit
Power supply voltage	V <sub>CC</sub>	1.0	1.5	1.8	V

● Electrical characteristics (unless otherwise noted, Ta = 25°C, V<sub>CC</sub> = 1.5V, f = 1kHz and R<sub>L</sub> = 16Ω)

Parameter	Symbol	Min.	Typ.	Max.	Unit	Conditions	Measurement circuit
Quiescent current	I <sub>Q</sub>	—	12	18	mA	V <sub>IN</sub> =0V <sub>rms</sub>	Fig.1
Closed loop voltage gain	G <sub>VC</sub>	18	21	24	dB	V <sub>IN</sub> =-46dBm	Fig.1
Rated output	P <sub>OUT</sub>	10	15	—	mW	THD=10%	Fig.1
Total harmonic distortion	THD	—	1	3	%	P <sub>O</sub> =2.5mW	Fig.1
Output noise voltage	V <sub>NO</sub>	—	23	47	μV <sub>rms</sub>	R <sub>g</sub> =0Ω, BPF=20Hz~20kHz	Fig.1
Input resistance	R <sub>IN</sub>	6.6	9.5	12.4	kΩ	—	Fig.1
Ripple rejection ratio	RR	35	45	—	dB	V <sub>RR</sub> =-30dBm, f <sub>RR</sub> =100Hz, R <sub>g</sub> =0Ω	Fig.1
Standby current	I <sub>ST</sub>	—	0	10	μA	13pin : OPEN	Fig.1
Channel balance	CB	—	—	2	dB	—	Fig.1
Mute level	MUTE	70	—	—	dB	V <sub>IN</sub> =-20dBm, 16pin : V <sub>CC</sub>	Fig.1

● Measurement circuit

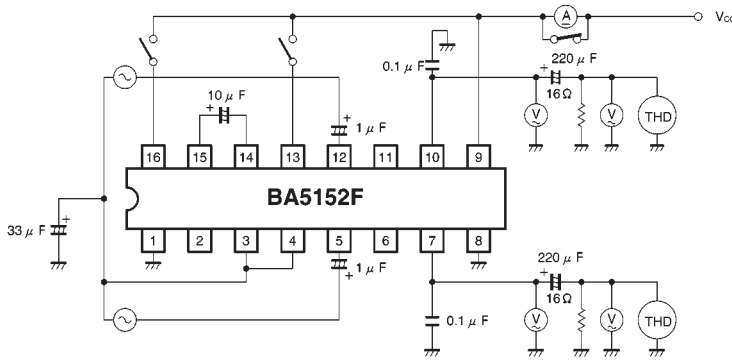


Fig. 1

●Application example

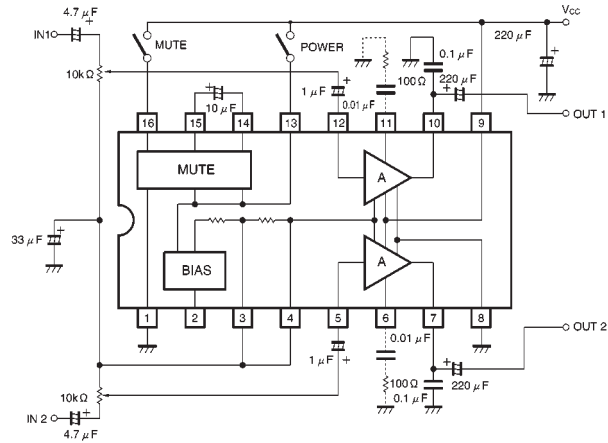


Fig. 2

●Application board patterns

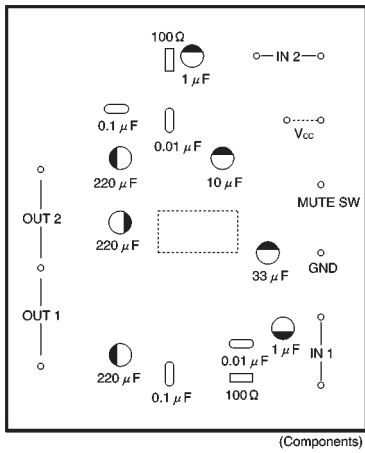


Fig. 3

●Application board component layout

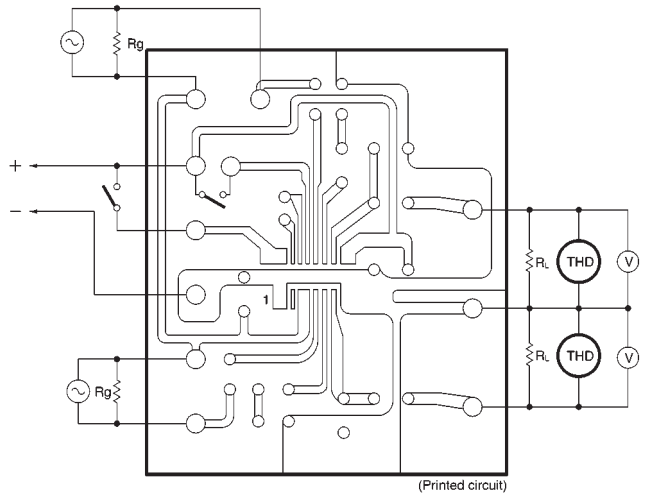


Fig. 4

● Complete application example circuit

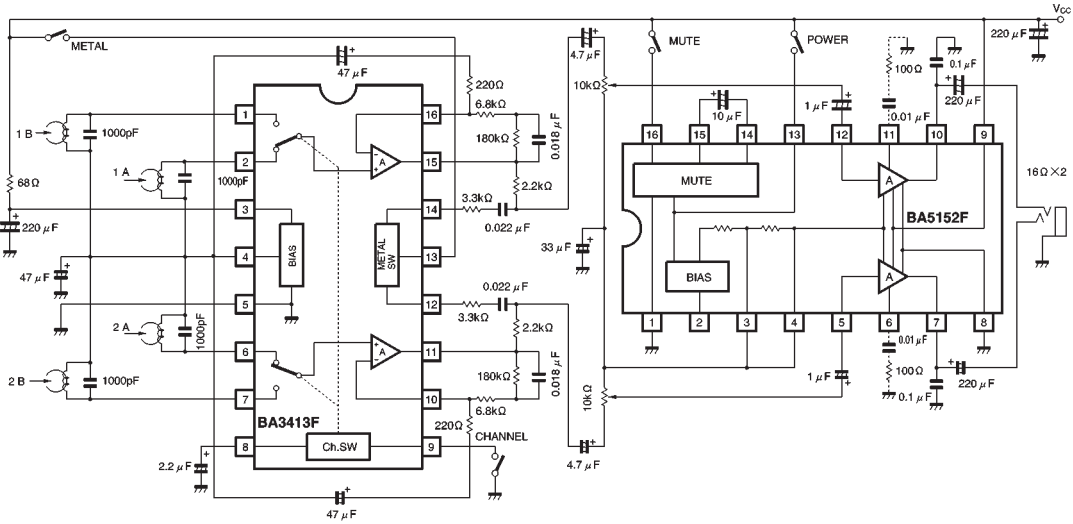


Fig. 5

● Circuit description

(1) Power supply block

The BA5152F has an internal power switch, so the  $V_{cc}$  terminal (pin 9) connects directly to the power source. Pin 13 is the power switch, and if it is left open, no bias current flows in the circuit and the IC will not operate.

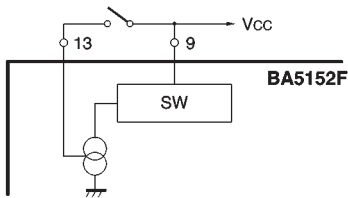


Fig. 6

(2) Mute circuit block

When pin 13 is connected to  $V_{cc}$ , the IC starts up, but the mute circuit operates to suppress a “pop” sound from being generated. The time constant of the power-on mute circuit is determined by the capacitor connected between pins 14 and 15. It is also possible to force the mute circuit to operate by connecting pin 16 to  $V_{cc}$ . There is no time constant in this case.

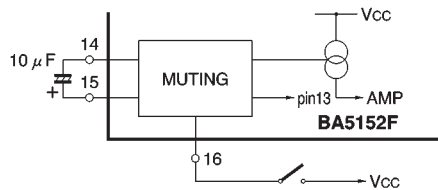


Fig. 7

(3) Bias block

The components connected to pins 2, 3, and 4 set the bias point and  $V_{ODC}$ . When pin 2 is open circuit, and  $V_{CC} = 1.25V$ , the output pin  $V_{ODC}$  voltage is internally set to  $1/2V_{CC}$ . By connecting a resistor to pin 2 and changing the voltage divider ratio, it is possible to vary  $V_{ODC}$ . Pins 3 and 4 are shorted and connected to earth via an electrolytic capacitor to generate the bias point. When a  $33\mu F$  component is used, it is possible to obtain 45dB of ripple rejection. This can be improved if pins are independently grounded through capacitors.

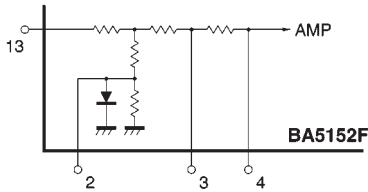


Fig. 8

(4) Amplifier block

The amplifier circuits have a fixed gain of  $G_v = 21dB$ . The negative-feedback circuits are on the chip, and the ground point of the negative-feedback circuit uses the bias point as its reference, so connect the input potentiometer to the bias point pins (3 and 4). Connect bypass capacitors to the output pin to prevent oscillation. When the IC is used in sets containing an AM radio, it is possible to reduce unnecessary radiation from the power amplifiers by connecting CR circuits to pins 6 and 11.

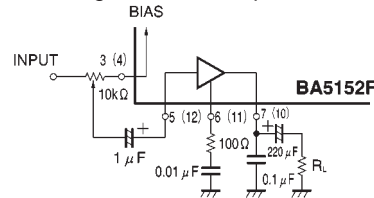


Fig. 9

● Electrical characteristics curves ( $T_a = 25^\circ C$ )

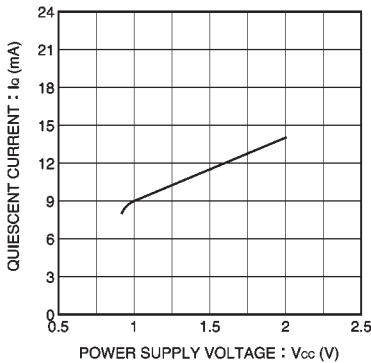


Fig. 10 Quiescent current vs. power supply voltage

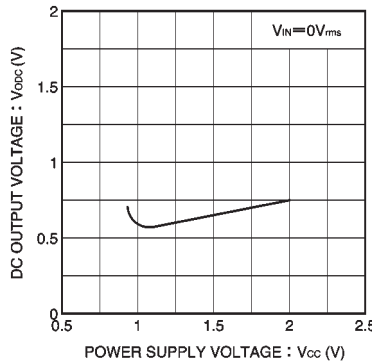


Fig. 11 DC output voltage vs. power supply voltage

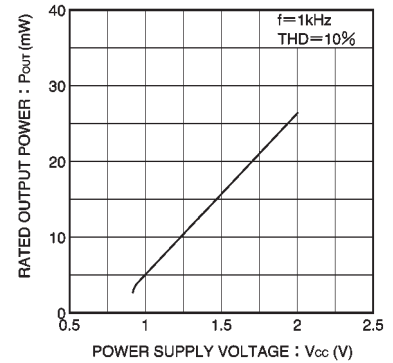


Fig. 12 Output voltage vs. power supply voltage

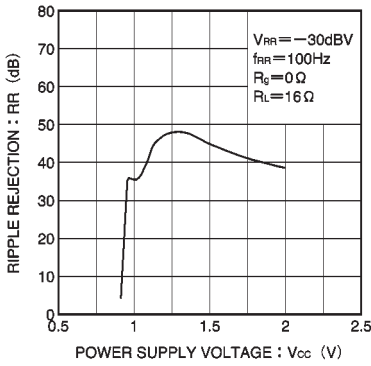


Fig. 13 Ripple rejection ratio vs. power supply voltage

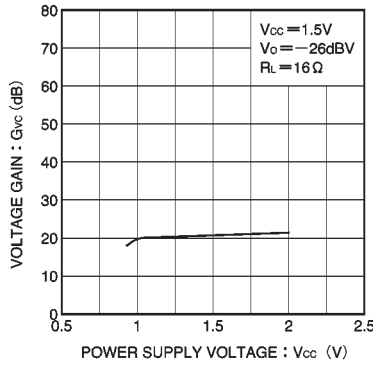


Fig. 14 Voltage gain vs. power supply voltage

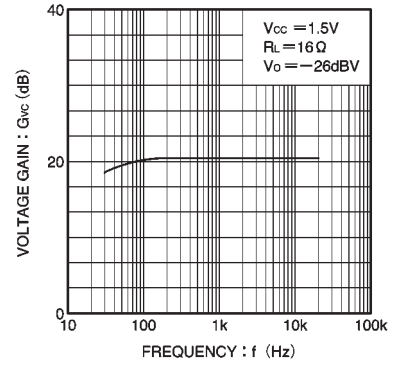


Fig. 15 Voltage gain vs. frequency

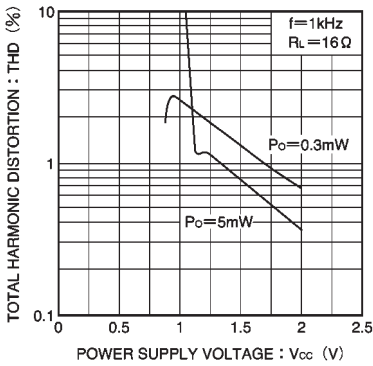


Fig. 16 Total harmonic distortion vs. power supply voltage

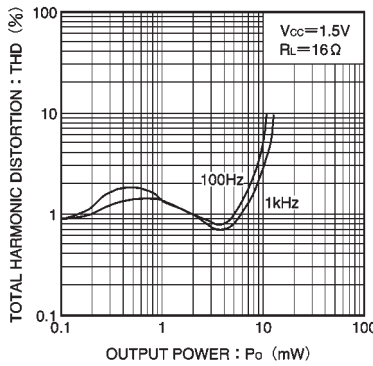
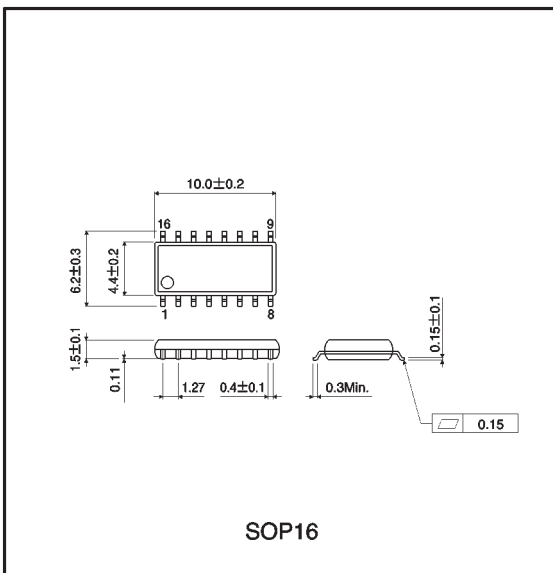


Fig. 17 Total harmonic distortion vs. output voltage

● External dimensions (Units: mm)



### Notes

- No technical content pages of this document may be reproduced in any form or transmitted by any means without prior permission of ROHM CO.,LTD.
- The contents described herein are subject to change without notice. The specifications for the product described in this document are for reference only. Upon actual use, therefore, please request that specifications to be separately delivered.
- Application circuit diagrams and circuit constants contained herein are shown as examples of standard use and operation. Please pay careful attention to the peripheral conditions when designing circuits and deciding upon circuit constants in the set.
- Any data, including, but not limited to application circuit diagrams information, described herein are intended only as illustrations of such devices and not as the specifications for such devices. ROHM CO.,LTD. disclaims any warranty that any use of such devices shall be free from infringement of any third party's intellectual property rights or other proprietary rights, and further, assumes no liability of whatsoever nature in the event of any such infringement, or arising from or connected with or related to the use of such devices.
- Upon the sale of any such devices, other than for buyer's right to use such devices itself, resell or otherwise dispose of the same, no express or implied right or license to practice or commercially exploit any intellectual property rights or other proprietary rights owned or controlled by
- ROHM CO., LTD. is granted to any such buyer.
- Products listed in this document use silicon as a basic material.  
Products listed in this document are no antiradiation design.

The products listed in this document are designed to be used with ordinary electronic equipment or devices (such as audio visual equipment, office-automation equipment, communications devices, electrical appliances and electronic toys).

Should you intend to use these products with equipment or devices which require an extremely high level of reliability and the malfunction of which would directly endanger human life (such as medical instruments, transportation equipment, aerospace machinery, nuclear-reactor controllers, fuel controllers and other safety devices), please be sure to consult with our sales representative in advance.



#### About Export Control Order in Japan

Products described herein are the objects of controlled goods in Annex 1 (Item 16) of Export Trade Control Order in Japan.

In case of export from Japan, please confirm if it applies to "objective" criteria or an "informed" (by MITI clause) on the basis of "catch all controls for Non-Proliferation of Weapons of Mass Destruction.

## Looking for pricing, stock, or lifecycle information?

Click below to explore more details on WIN SOURCE:

-  [View BA5152F on WIN SOURCE](#)
-  [Rohm Semiconductor Information](#)

## Optimize Your Supply Chain with WIN SOURCE Solutions

-  Global Sourcing Solution
-  Obsolete Management
-  Cost Control Management
-  Shortage Management
-  Alternative Solution
-  Excess Inventory Management