



THE DATASHEET OF CYWM6935PAEC



WirelessUSB™ LR+PA Radio Module

1.0 Features

- The CYWM6935PAEC is a long range 2.4 GHz Radio Module. It includes radio (CYWUSB6935), power amplifier, RF switch, miniature RF coaxial connector and interface connector
- Operates in the unlicensed Industrial, Scientific, and Medical (ISM) band (2.4 GHz–2.483 GHz)
- –95-dBm or better receiver sensitivity
- 16-dBm typical output power
- Range of up to 200 meters or more
- Data throughput of up to 62.5 kbits/sec
- SPI microcontroller interface (up to 2 MHz data rate)
- Operating voltage from 3.0V to 3.6V
- Small PCBA Design: 0.95" (23.75 mm) by 0.95" (23.75 mm) by 0.212" (5.3 mm) (L x W x H)
- The radio module is FCC certified with external 2.4 GHz antenna.
- FCC Modular Approval Grant to meet FCC Part 15, EN 300 328-1, EN 301 489-1, and Industry Canada RSS-210 standards
- An FCC Module Approval (MA) Grant provides customers significant cost savings, by allowing customers to adopt the CYWM6935PAEC FCC ID into their own products

2.0 Functional Description

The CYWM6935PAEC WirelessUSB LR + PA Radio Module offers a complete radio module solution for integration into existing or new 2.4-GHz products.

The CYWM6935PAEC is tested for functional operation and is FCC/ETSI(EU)/Industry pre-certified. The radio module is designed to work with any commercial 2.4 GHz antenna which is equivalent to INPAQ DAMA0BM12410205.(Antenna-A).

The CYWM6935PAEC is available in a small PCBA design and can be mounted horizontally to the device PCB via a 12-pin header. The pin-out of the header is shown in Figure 3-2.

3.0 Applications

- Building/Home Automation
 - Climate Control
 - Lighting Control
 - Smart Appliances
 - On-Site Paging Systems
 - Alarm and Security
- Industrial Control
 - Inventory Management
 - Factory Automation
 - Data Acquisition
 - Automatic Meter Reading (AMR)
- Transportation
 - Diagnostics
 - Remote Keyless Entry

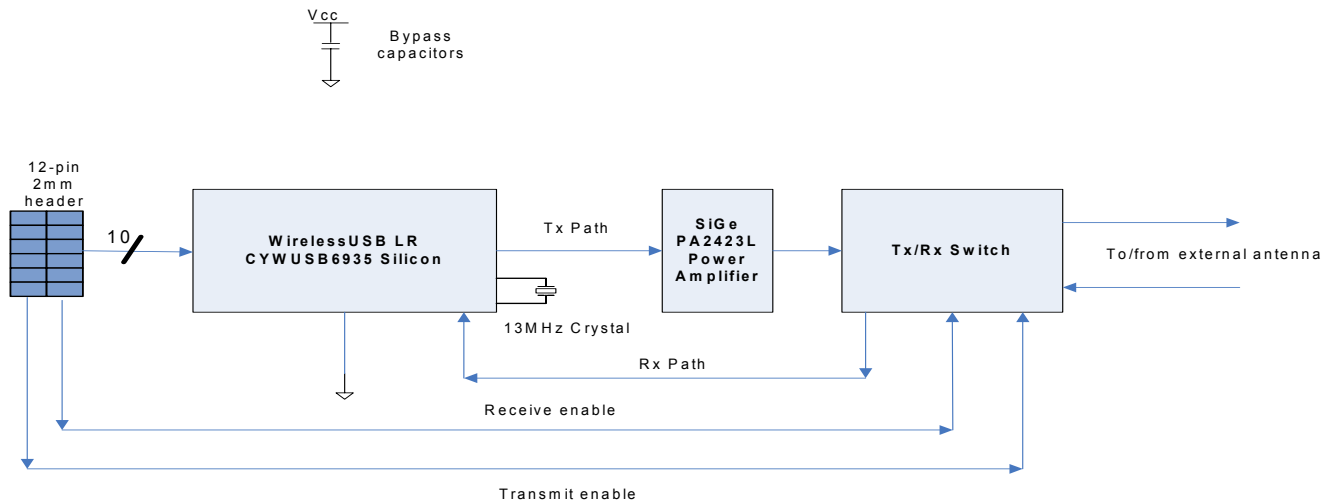


Figure 3-1. CYWM6935PAEC Module

3.1 Functional Overview

CYWUSB6935 LR Radio

The CYWUSB6935 provides a complete SPI-to-antenna radio modem. The CYWUSB6935 is designed to implement wireless devices operating in the worldwide 2.4-GHz Industrial, Scientific, and Medical (ISM) frequency band (2.400 GHz–2.4835 GHz). It is intended for systems compliant with world-wide regulations covered by ETSI EN 301 489-1V1.4.1, ETSI EN 300 328-1 V1.3.1 (European Countries); FCC CFR 47 Part 15 (USA and Industry Canada) and ARIBSTD-T66 (Japan).

The CYWUSB6935 contains a 2.4-GHz radio transceiver, a GFSK modem, and a dual DSSS reconfigurable baseband. The radio and baseband are both code- and frequency-agile. Forty-nine spreading codes selected for optimal performance (Gold codes) are supported across 78 1-MHz channel yielding a theoretical spectral capacity of 3822 channels.

FCC certification and performance is valid only up to power level PA5. It is advised not to use the module in levels PA6 and PA7.

3.2 2.4GHz A0 Type Dipole Antenna

For the most effective and power efficient communication with the LR + PA radio module, external antenna INPAQ DAMA0BM12410205 (Antenna-A) is recommended to be used with the module.

It is a dipole antenna module, with A0 type appearance. It is a high frequency coaxial cable type antenna. The operating frequency range is 2.4 - 2.483 GHz and has a typical impedance of 50 ohms. The antenna has near omni-directional radiation pattern in the horizontal plane with a vertical polarization.

The antenna has an operating range of -20 C - 60 C and can be stored between -40 C - 80 C.

3.3 PA2423L SiGe Power Amplifier

An efficient silicon-germanium power amplifier IC, the PA2423L is designed specifically for wireless applications in the 2.4GHz ISM band and well suited for WirelessUSB applications.

It has 45% power add efficiency. It is capable of overcoming

Electrical Properties of the Antenna DAMA0BM12410205

Item	Property
Frequency Range	2.4~2.4835 GHz
Impedance	50 ohms
VSWR	VSWR*2
Return loss	- 10dB (max)
Gain	2dBi (Typ)
Polarization	Vertical Polarization
Radiation Pattern	Near omni directional in the horizontal plane.
Admitted Power	1 Watt
Electrical wave	1/2* dipole

insertion losses of up to 2.5db, between the amplifier output and antenna input.

It also consists of analog and digital control input to control the analog input for improving the power added efficiency, and the power up and power down modes respectively.

3.4 Reference Documentation

For information on technical details of the WirelessUSB LR 2.4-GHz DSSS Radio SoC such as register settings, timing, application interfaces, clocking, and power management, refer to the data sheet of the CYWUSB6935 Radio SoC.

3.5 Applications Support

The CYWM6935PAEC is available as a reference design, complete with PCB layout files, schematics, and a bill of materials. The CYWM6935PAEC can be used with the CY3635 WirelessUSB N:1 sensor development kit, and the CY3632 WirelessUSB LS development kit using a proper adapter.

Transmission Parameters of Radio Module

PA Level	Transmit Power	Tx Current I _{TX}
PA 7 *	17.89 dBm	186.00 mA
PA 6 *	17.12 dBm	178.86 mA
PA 5	16.19 dBm	170.87 mA
PA 4	15.02 dBm	146.80 mA

*** FCC certification and performance is valid only up to power level PA5. It is advised not to use the module in levels PA6 and PA7.**

Pin Definitions

Table 3-1. Pin Description Table for the CYWM6935PAEC

Pin QFN	Name	Direction	Description
1	GND	–	Ground
2	VCC	–	Supply voltage for the entire Radio Module (2.7V-3.6V). It is recommended that 3.3V be used for most applications.
3	IRQ	Output	Interrupt signal from Radio Module to the MCU
4	nRESET	Input	Active low reset signal from MCU to Radio Module
5	MOSI	Input	Master out, slave in SPI signal from MCU to Radio Module
6	nSS	Input	Active low slave select signal from MCU to Radio Module
7	SCK	Input	SPI clock from MCU to Radio Module
8	MISO	Output	Master in, slave out SPI signal from Radio Module to MCU
9	GND	–	Ground
10	nPD	Input	Active low power-down signal from MCU to Radio Module
11	eTx	Input	Transmit Enable. Active high control signal from MCU to Radio Module.
12	eRX	Input	Receive Enable. Active high control signal from MCU to Radio Module.

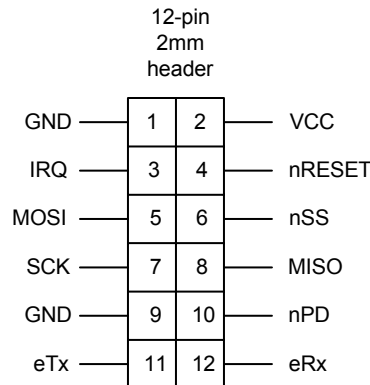


Figure 3-2. CYWM6935PAEC Header Pin-out

Mechanical Drawing of module CYWM6935PAEC

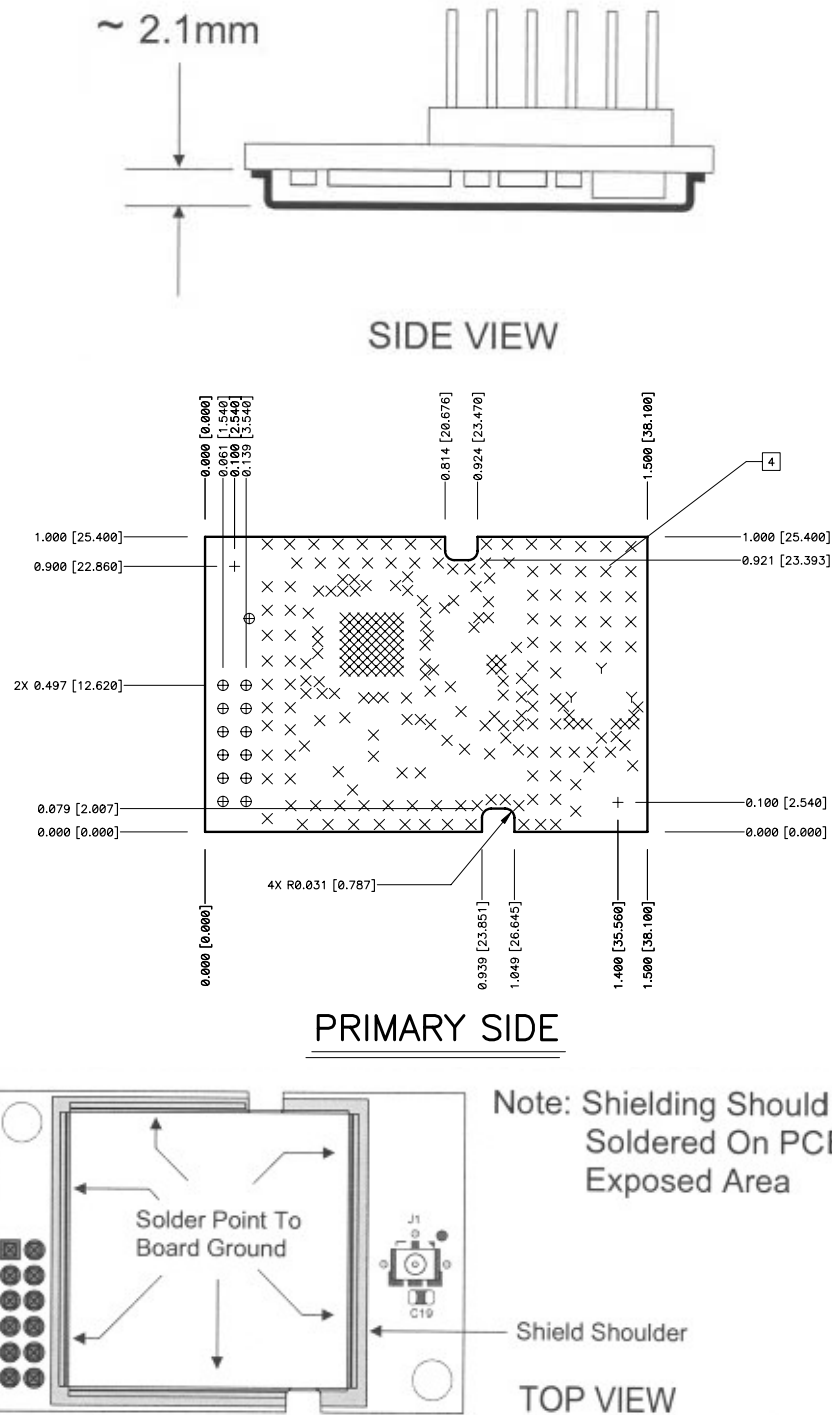


Figure 3-3.

4.0 Module Certification Detail

The CYWM6935PAEC Radio Module is a device that transmits and receives radio signals in accordance with the spectrum regulations for the 2.4-GHz unlicensed frequency range. Regional regulatory agency approval may be required to operate CYWM6935PAEC throughout the world.

Cypress Semiconductor Corporation has obtained regulatory approvals for the CYWM6935PAEC to be used in specific countries. CYWM6935PAEC was approved under the “Modular Approval (MA) to the OEM.

The MA Grant provides that device manufacturers who incorporate CYWM6935PAEC as tested and approved can be relieved from having to perform the Radio Regulatory certification portion of the respective agency certification.

The MA Grant is valid only in countries^[1.] that recognize the MA Grant certification process; the USA, Canada, Belgium, Denmark, France, Finland, Germany, Italy, Netherlands, Spain, Sweden, UK.

4.1 Eligibility Requirements for Regulatory Module Approval

In order to be able to take advantage of Cypress’s modular certification in an end product, the following must be ensured:

1. Correct Application.
2. Correct Installation.
3. Correct labeling.

4.1.1 Correct Application:

There are two types of application considered for CYWM6935PAEC modules. The application types are defined below:

a. Fixed Application:

Module is in a permanent location and has at least 2m separation from the human body.

b. Mobile Application:

Module can be relocated and will have at least 20 cm separation from the human body.

4.1.2 Correct Installation:

- Modules cannot be modified in any way.
- Modules must be used only in the operating range specified in the data sheets.
- Modules cannot be located within 20 cm of another intentional radiator in the system.
- It is recommended to use Antenna-A or equivalent. The antenna gain and form factor should be equivalent to Antenna-A.
- Must guarantee that end user cannot easily change antenna.

Note: Sidestepping these requirements is possible with additional testing and/or recertification. However, modular approval would no longer apply.

4.1.3 Correct Labeling:

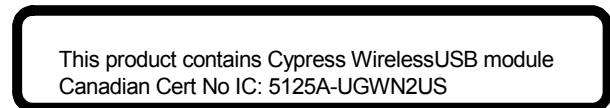
If an end device containing a WirelessUSB CYWM6935PAEC Radio Module will be sold or used in the USA, the enclosure of the product must display a label with the following basic elements:



If an end device containing a WirelessUSB CYWM6935PAEC Radio Module will be sold or used in Europe, the enclosure of the product must display a label with the following basic elements:



If an end device containing WirelessUSB CYWM6935PAEC Radio Module will be sold or used in Canada, the enclosure of the product must display a label with the following basic elements:



As of March 2006, Japan does not recognize the “Modular Approval” certification. Regulatory certification for Japan (TELEC) must be acquired through typical approval procedures. These approvals are the sole responsibility of the OEM.

Note: Even with modular approval, the end device still has to be tested for digital emissions compliance with all agencies as an electronic device. The modular approval only eliminates the need to test for compliance on RF transmissions.

4.2 User Guide Information

Electronic device manufacturers using Cypress’s Modular Approval are required to follow the below mentioned labeling practice on the container in which the device is marketed or in the product user’s guide. This should be in accompaniment with other regulatory information. The text may be disbursed according to language or geographic regions if desired, but the exact text shown below must be maintained.

4.2.1 United States of America requirements:

The device shall bear the following statement in a conspicuous location:

“This device complies with part 15 of the FCC rules. Operation is subject to the following two conditions: (1) This device may not cause harmful interference, and (2) this device must accept any interference received, including interference that may cause undesired operation”.

When the device is so small or for such use that it is not practical to place the statement specified under paragraph (a) of this section on it, the information required by this paragraph shall be placed in a prominent location in the instruction manual or pamphlet supplied to the user or, alternatively, shall be placed on the container in which the device is marketed. However, the FCC identifier or the unique identifier, as appropriate, must be displayed on the device.

The users manual or instruction manual for an intentional or unintentional radiator shall bear the following cautionary statement:

Caution: Changes or modifications not expressly approved by the party responsible for compliance could void the user's authority to operate the equipment.

FCC certification and performance is valid only up to power level PA5. It is advised not to use the module in levels PA6 and PA7.

4.2.1.1 United States Regulatory Approval FCC Modular Approval (MA)

The requirements for FCC Modular Approval were released in June 2000 in the FCC's Public Notice: FCC Public Notice DA 00-1407, Part 15 Unlicensed Modular Transmitter Approvals.

Criteria for Modular Approval

In our OEM instructions it is recommend that the following rules (required by FCC grants) be adhered to:

- Cypress FCC ID label must appear on the outside of their product. FCC Public Notice DA 00-1407 instructs, "...if the FCC ID is not visible when the module is installed inside another device, then the outside of the device into which the module is installed must also display a label referring to the enclosed module. This exterior label can use wording such as the following: "Contains Transmitter Module FCC ID:XYZMODEL1" or "Contains FCC ID: XYZMODEL1." Any similar wording that expresses the same meaning may be used."
- No co-location with other transmitters is allowed. By definition, co-location is when another radio or its antenna is located within 20 cm of our radio and it can transmit simultaneously with your radio. Only the antenna(s) that were certified with your radio may be used. Other antennas may be used only if they are of the same type (e.g. yagi, dipole, patch) and have the same or lower gain.
- Not withstanding the Modular Approval for the Radio Device with associated interconnect and antennae, the end product configuration must meet digital emissions compliance and must be tested in accordance with FCC Part 15 requirements confirming radiated emissions are within specified limits. Applicable sections include:
 - **Part 15 Section 15.109 Sub-paragraph A, Class B Radiated Emission Limits.**

These emissions tests can be conducted by the manufacturer or by contacting an approved test facility equipped and

certified accordingly. The results of these emissions tests are not required to be submitted to the FCC or Cypress, but should be kept on file by the OEM.

- Cypress module can only be installed by the OEM and not by the user. It should not be installed in a user accessible location.
- Any modifications to the radio will void the user's authority to operate the equipment. The OEM must not modify any aspect of the radio's mechanical and electrical configuration.
- The OEM must include compliance information in their user information.
- Although no additional regulatory work may be required for the radio, the host device is probably subject to other FCC authorizations as a digital device. DoC authorization is required for PCs and peripherals; verification is required for most other digital devices.

4.2.2 Industry Canadian Requirements and Regulatory Approval

Industry Canada regulatory approval typically conforms to the FCC in terms of emission levels and other regulatory requirements. It is the position of the Industry Canada agency that the OEM is primarily responsible for ensuring end product compliance. Cypress (Unigen) as grantee and supplier of the module maintains responsibility for the Modular Approved design.

Criteria for Modular Approval

In our OEM instructions it is recommend that the following rules (required by Industry Canada) be adhered to:

- Cypress Industry Canada ID label must appear on the outside of their product. If the Industry Canada ID is not visible when the module is installed inside another device, then the outside of the device into which the module is installed must also display a label referring to the enclosed module. This exterior label can use wording such as the following: "**Contains Transmitter Module Canadian Cert No IC: XYZMODEL1**" or "**Contains Canadian Cert No IC: XYZMODEL1.**" Any similar wording that expresses the same meaning may be used.
- No co-location with other transmitters is allowed. By definition, co-location is when another radio or its antenna is located within 20 cm of our radio and it can transmit simultaneously with your radio. Only the antenna(s) that were certified with your radio may be used. Other antennas may be used only if they are of the same type (e.g. yagi, dipole, patch) and have the same or lower gain.
- Notwithstanding the Modular Approval for the Radio Device with associated interconnect and antennae, the end product configuration must meet digital emissions compliance and must be tested in accordance Industry Canada RSS-210 (Low Power License-Exempt Radio communication Devices) requirements confirming radiated emissions are within specified limits. Applicable sections include:
 - **Part 15 Section 15.109 Sub-paragraph A, Class B Radiated Emission Limits.**

These emissions tests can be conducted by the manufacturer or by contacting an approved test facility equipped and certified accordingly. The results of these emissions tests are not required to be submitted to Industry Canada or Cypress, but should be kept on file by the OEM.

- Cypress module can only be installed by the OEM and not by the user. It should not be installed in a user accessible location.
- Any modifications to the radio will void the user's authority to operate the equipment. The OEM must not modify any aspect of the radio's mechanical and electrical configuration.
- The OEM must include compliance information in their user information.
- Although no additional regulatory work may be required for the radio, the host device is probably subject to other FCC authorizations as a digital device. DoC authorization is required for PCs and peripherals; verification is required for most other digital devices.

Note:

Industry Canada generally follows the guidelines of the FCC for emissions level requirements. FCC end-product compliance certification results may be used to satisfy Industry Canada requirements. Please consult the Industry Canada, RSS 210 specifications to confirm interagency compliance. If comparable FCC testing has not been performed or if the specifications are not cross compliant, RSS 210 testing will be required.

4.2.3 European Union Requirements and Regulatory Approval

The requirements for EU Regulatory Approval were released in April 2000 in the EU R&TTE Directive.

This directive supports self directed testing and certification for "harmonized" bands within OEM facilities or by third party. In the case of WirelessUSB, standards have become harmonized (although frequencies are not). The R&TTE directive no longer requires a Technical Construction File however; frequency notification to EU countries is still applicable.

Article 6 of the R&TTE directive states: "**The manufacturer or the person responsible for placing the apparatus on the market provides information for the user on the intended use of the apparatus, together with the declaration of conformity to the essential requirements.**"

Ensuring regulatory compliance of the end product is the sole responsibility of the OEM.

Cypress maintains responsibility for conformance of the CYWM6935PAEC, the interconnect, and the antennae as the manufacturer.

The R&TTE directive maintains that first level compliance be reviewed by a "Notified Body" prior to general product marketing. This is not mandatory, but reduces the risk of the product being challenged for non-compliance. Although not specifically stated in the R&TTE Directive, corrections of noncompliance issues are the responsibility of the end product manufacturer.

Criteria for Modular Approval

In our OEM instructions it is recommended that the following rules (required by ETSI) be adhered to:

- No co-location with other transmitters is allowed. By definition, co-location is when another radio or its antenna is located within 20 cm of our radio and it can transmit simultaneously with your radio. Only the antenna(s) that were certified with your radio may be used. Other antennas may be used only if they are of the same type (e.g. yagi, dipole, patch) and have the same or lower gain.
- The end-product configuration must meet digital emissions compliance and must be tested in accordance with the European Union standards ETSI 300 328 (European Telecommunications Standard for 2.4 GHz ISM band Emissions) and ETSI 300 826 (Electromagnetic Compatibility).

Detailed European Union regulatory standards documentation may be obtained from the following URL:

<http://europa.eu.int/comm/enterprise/rtte/infor.htm>

These emissions tests can be conducted by the manufacturer or by contacting an approved test facility equipped and certified accordingly. The results of these emissions tests are not required to be submitted to the ETSI or Cypress, but should be kept on file by the OEM.

- Cypress module can only be installed by the OEM and not by the user. It should not be installed in a user accessible location.
- Any modifications to the radio will void the user's authority to operate the equipment. The OEM must not modify any aspect of the radio's mechanical and electrical configuration.
- The OEM must include compliance information in their user information.
- Although no additional regulatory work may be required for the radio, the host device is probably subject to other FCC authorizations as a digital device. DoC authorization is required for PCs and peripherals; verification is required for most other digital devices.

Note:

The European Union generally follows the guidelines of the FCC for emissions level requirements. FCC end-product compliance certification results, if available, may be used to satisfy EU requirements (Substitution Method). Please consult the ETSI 300 328 specifications to confirm inter-agency compliance. If comparable FCC testing has not been performed or if the specifications are not cross compliant, ETSI 300 328 testing will be required. Additionally, testing to the ETSI 301 489-17 (immunity testing) is strongly recommended. Cypress assumes no responsibility for compliance of the end-product configuration.

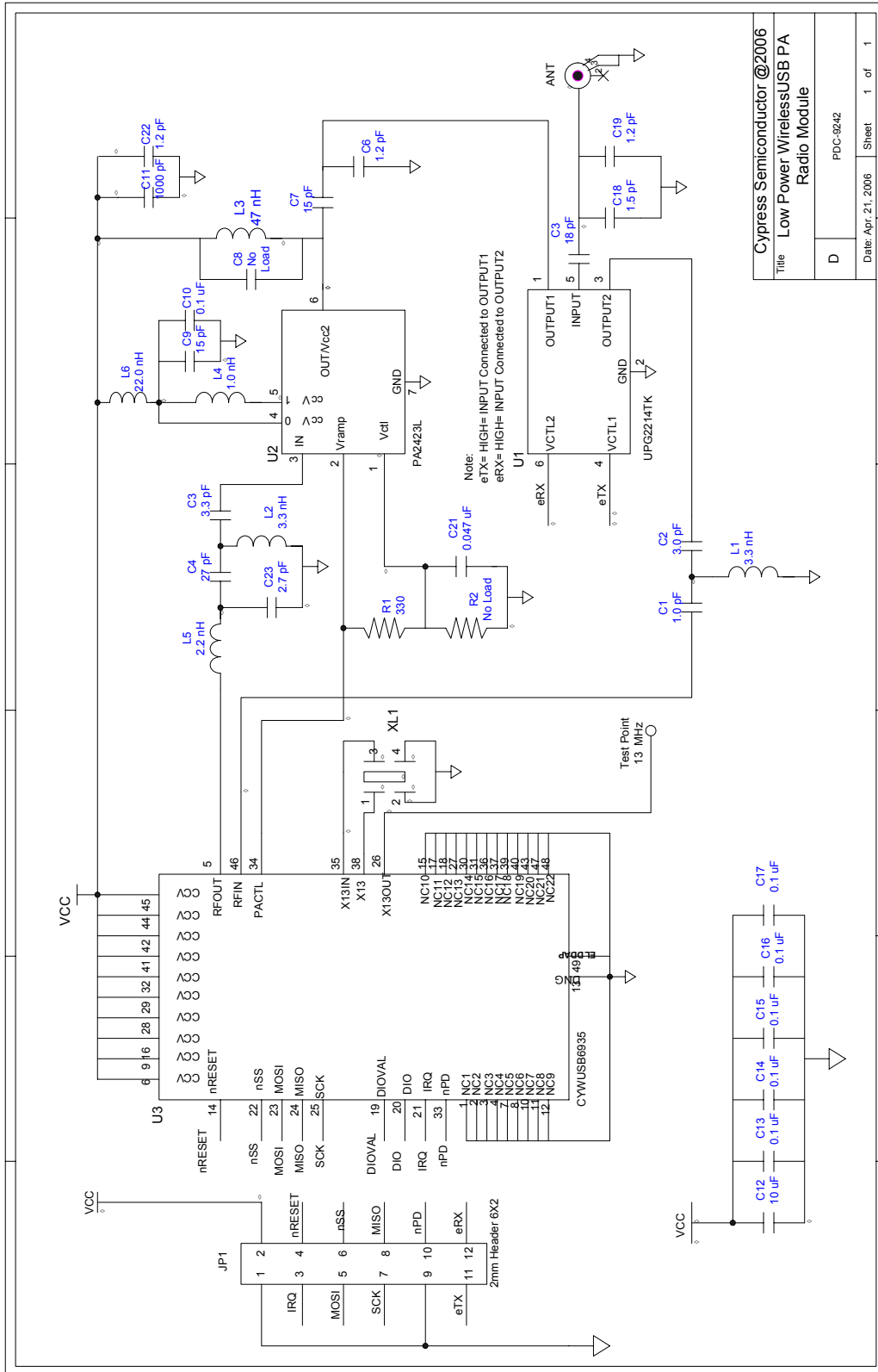


Figure 4-1. CYWM6935PAEC Schematic

This document is subject to change, and may be found to contain errors of omission or changes in parameters. For feedback or technical support regarding Cypress WirelessUSB products please contact Cypress at www.cypress.com. WirelessUSB is a trademark of Cypress Semiconductor Corporation. All product and company names mentioned in this document are the trademarks of their respective holders.

Document History Page

Document Title: CYWM6935PAEC WirelessUSB™ LR+PA Radio Module Document Number: 001-07822				
REV.	ECN NO.	Issue Date	Orig. of Change	Description of Change
**	471393	See ECN	OYR	New preliminary data sheet

Looking for pricing, stock, or lifecycle information?

Click below to explore more details on WIN SOURCE:

 [View CYWM6935PAEC](#) on WIN SOURCE

 [Infineon Technologies](#) Information

Optimize Your Supply Chain with WIN SOURCE Solutions

-  Global Sourcing Solution
-  Obsolete Management
-  Cost Control Management
-  Shortage Management
-  Alternative Solution
-  Excess Inventory Management