



# THE DATASHEET OF MP256W



**SINGLE-PHASE GLASS PASSIVATED  
SILICON BRIDGE RECTIFIER**

**VOLTAGE RANGE 50 to 1000 Volts CURRENT 25 Amperes**

**FEATURES**

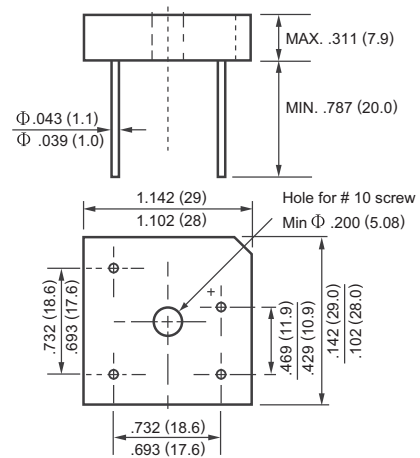
- \* Superior thermal desing
- \* 1/4" universal faston terminal
- \* Hole thru for # 10 screw

**MECHANICAL DATA**

- \* UL listed the recognized component directory, file #E94233
- \* Epoxy: Device has UL flammability classification 94V-O



**MP-25W**



Dimensions in inches and (millimeters)

**MAXIMUM RATINGS AND ELECTRICAL CHARACTERISTICS**

Ratings at 25 °C ambient temperature unless otherwise specified.  
Single phase, half wave, 60 Hz, resistive or inductive load.  
For capacitive load, derate current by 20%.

**MAXIMUM RATINGS** (At TA = 25°C unless otherwise noted)

RATINGS	SYMBOL	MP2505W	MP251W	MP252W	MP254W	MP256W	MP258W	MP2510W	UNITS
Maximum Recurrent Peak Reverse Voltage	VRRM	50	100	200	400	600	800	1000	Volts
Maximum RMS Bridge Input Voltage	VRMS	35	70	140	280	420	560	700	Volts
Maximum DC Blocking Voltage	VDC	50	100	200	400	600	800	1000	Volts
Maximum Average Forward Rectified Output Current at Tc = 55°C	Io	25.0							Amps
Peak Forward Surge Current 8.3 ms single half sine-wave superimposed on rated load (JEDEC method)	IFSM	300							Amps
Peak Forward Surge Current 10 ms single half sine-wave superimposed on rated load (JEDEC method)	IFSM	273.3							Amps
Typical Current Squared Time	I <sup>2</sup> t	373.5							A <sup>2</sup> S
RMS isolation voltage from case to lead	VISO	2500							Volts
Typical Thermal Resistance (from junction to case)	RθJC	1.9							°C/W
Typical Thermal Resistance (from junction to ambient)	RθJA	19							
Operating and Storage Temperature Range	TJ, TSTG	-55 to + 150							°C

**ELECTRICAL CHARACTERISTICS** (At TA = 25°C unless otherwise noted)

CHARACTERISTICS	SYMBOL	MP2505W	MP251W	MP252W	MP254W	MP256W	MP258W	MP2510W	UNITS
Maximum Forward Voltage Drop per element at 12.5A DC	VF	1.1							Volts
Maximum Reverse Current at Rated	IR	5.0							uAmps
DC Blocking Voltage per element		1.0							

NOTE: 1. Suffix "W" for wire type  
2. "ROHS compliant".

## RATING AND CHARACTERISTIC CURVES( MP2505W THRU MP2510W )

FIG. 1 - MAXIMUM NON-REPETITIVE FORWARD SURGE CURRENT

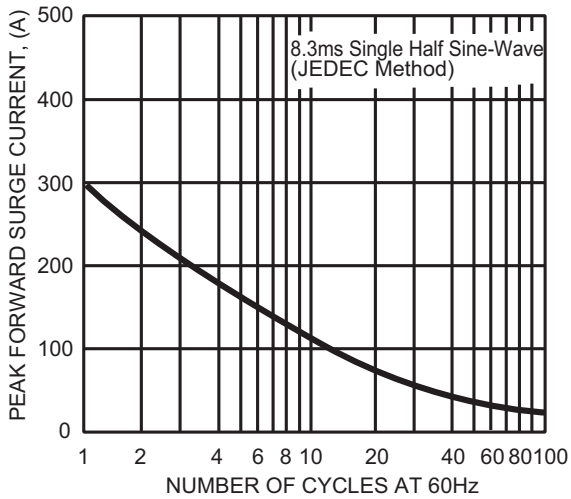


FIG. 2 - TYPICAL FORWARD CURRENT DERATING CURVE

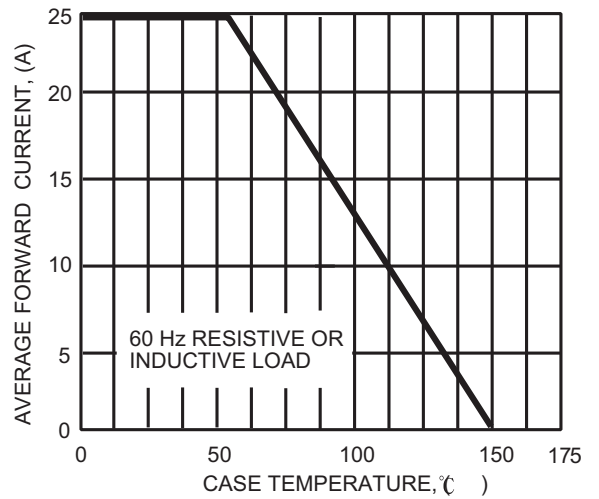


FIG. 3- TYPICAL INSTANTANEOUS FORWARD CHARACTERISTICS

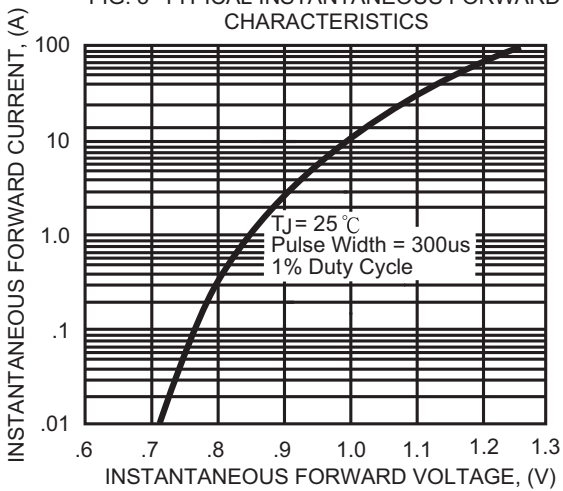
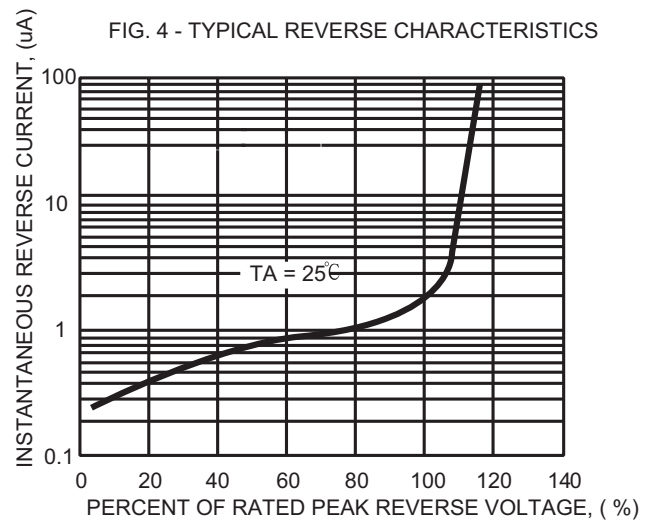


FIG. 4 - TYPICAL REVERSE CHARACTERISTICS

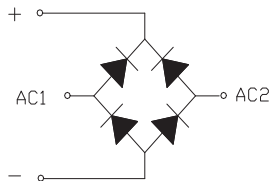




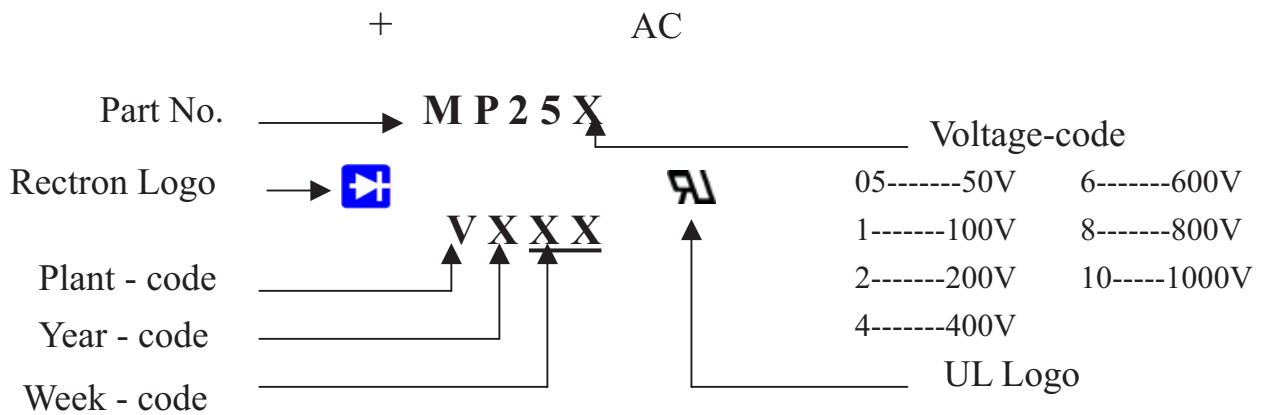
# RECTRON

## Attachment information about MP25XW

### 1. Internal Circuit



### 2. Marking on the body



### 3. Items marked on the inner box and carton

#### 3.1 On the box (for -B)

CUSTOMER  
TYPE  
LOT NO.  
QUANTITY  
Q.A.  
DATE

#### 3.2 On the carton

CUSTOMER  
TYPE  
QUANTITY  
LOT NO.  
REMARK

# PACKAGING OF DIODE AND BRIDGE RECTIFIERS

## BULK PACK

PACKAGE	PACKING CODE	EA PER BOX	INNER BOX SIZE (mm)	CARTON SIZE (mm)	EA PER CARTON	GROSS WEIGHT(Kg)
MP-15/-25/-35W	-B	50	206*208*57	450*220*255	400	8.26



## Looking for pricing, stock, or lifecycle information?

Click below to explore more details on WIN SOURCE:

 [View MP256W](#) on WIN SOURCE

 [Rectron USA](#) Information

## Optimize Your Supply Chain with WIN SOURCE Solutions

-  Global Sourcing Solution
-  Obsolete Management
-  Cost Control Management
-  Shortage Management
-  Alternative Solution
-  Excess Inventory Management