



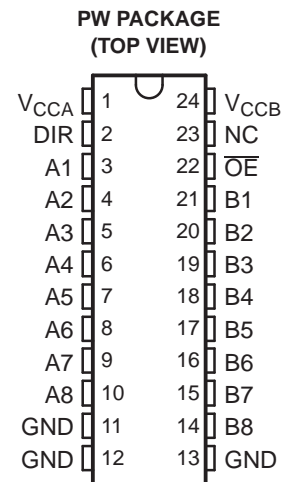
**THE DATASHEET OF  
CLVCC4245AMPWREP**



## FEATURES

- **Controlled Baseline**
  - One Assembly Site
  - One Test Site
  - One Fabrication Site
- **Extended Temperature Performance of –55°C to 125°C**
- **Enhanced Diminishing Manufacturing Sources (DMS) Support**
- **Enhanced Product-Change Notification**
- **Qualification Pedigree <sup>(1)</sup>**
- **Bidirectional Voltage Translator**
- **4.5 V to 5.5 V on A Port and 2.7 V to 5.5 V on B Port**
- **Control Inputs  $V_{IH}/V_{IL}$  Levels Are Referenced to  $V_{CCA}$  Voltage**
- **Latch-Up Performance Exceeds 250 mA Per JESD 17**
- **ESD Protection Exceeds JESD 22**
  - 2000-V Human-Body Model (A114-A)
  - 200-V Machine Model (A115-A)
  - 1000-V Charged-Device Model (C101)

(1) Component qualification in accordance with JEDEC and industry standards to ensure reliable operation over an extended temperature range. This includes, but is not limited to, Highly Accelerated Stress Test (HAST) or biased 85/85, temperature cycle, autoclave or unbiased HAST, electromigration, bond intermetallic life, and mold compound life. Such qualification testing should not be viewed as justifying use of this component beyond specified performance and environmental limits.



NC – No internal connection

## DESCRIPTION/ORDERING INFORMATION

The SN74LVCC4245A is an 8-bit (octal) noninverting bus transceiver that uses two separate power-supply rails. The A port ( $V_{CCA}$ ) is dedicated to accepting a 5-V supply level, and the configurable B port, which is designed to track  $V_{CCB}$ , accepts voltages from 3 V to 5 V. This allows for translation from a 3.3-V to a 5-V environment and vice versa.

The SN74LVCC4245A is designed for asynchronous communication between data buses. The device transmits data from the A bus to the B bus or from the B bus to the A bus, depending on the logic level at the direction-control (DIR) input. The output-enable ( $\overline{OE}$ ) input can be used to disable the device so the buses effectively are isolated. The control circuitry (DIR,  $\overline{OE}$ ) is powered by  $V_{CCA}$ .

### ORDERING INFORMATION<sup>(1)</sup>

T <sub>A</sub>	PACKAGE <sup>(2)</sup>	ORDERABLE PART NUMBER	TOP-SIDE MARKING
–55 °C to 125 °C	TSSOP – PW Reel of 2000	CLVCC4245AMPWREP	LG245A-EP

(1) For the most current package and ordering information, see the Package Option Addendum at the end of this document, or see the TI Web site at [www.ti.com](http://www.ti.com).

(2) Package drawings, standard packing quantities, thermal data, symbolization, and PCB design guidelines are available at [www.ti.com/sc/package](http://www.ti.com/sc/package).



Please be aware that an important notice concerning availability, standard warranty, and use in critical applications of Texas Instruments semiconductor products and disclaimers thereto appears at the end of this data sheet.

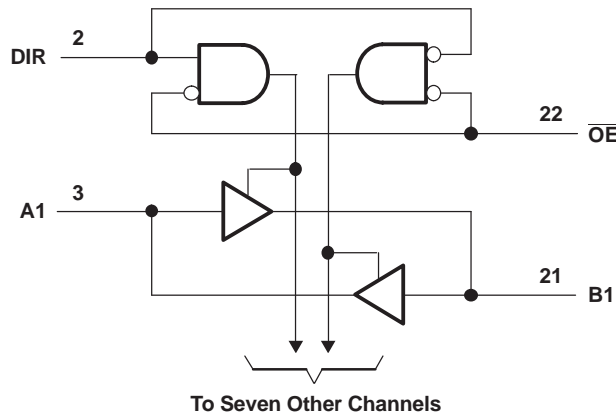
# SN74LVCC4245A-EP OCTAL DUAL-SUPPLY BUS TRANSCEIVER WITH CONFIGURABLE OUTPUT VOLTAGE AND 3-STATE OUTPUTS

SCAS830–MARCH 2007

**FUNCTION TABLE  
(EACH TRANSCEIVER)**

INPUTS		OPERATION
$\overline{OE}$	DIR	
L	L	B data to A bus
L	H	A data to B bus
H	X	Isolation

**LOGIC DIAGRAM (POSITIVE LOGIC)**



## Absolute Maximum Ratings<sup>(1)</sup>

over operating free-air temperature range (unless otherwise noted)

		MIN	MAX	UNIT	
$V_{CCA}$ $V_{CCB}$	Supply voltage range	-0.5	6	V	
$V_I$	Input voltage range <sup>(2)</sup>	I/O ports (A port)	-0.5	$V_{CCA} + 0.5$	V
		I/O ports (B port)	-0.5	$V_{CCB} + 0.5$	
		Except I/O ports	-0.5	$V_{CCA} + 0.5$	
$V_O$	Output voltage range <sup>(2)</sup>	A port	-0.5	$V_{CCA} + 0.5$	V
		B port	-0.5	$V_{CCB} + 0.5$	
$I_{IK}$	Input clamp current		$V_I < 0$ V	-50	mA
$I_{OK}$	Output clamp current		$V_O < 0$ V	-50	mA
$I_O$	Continuous output current			$\pm 50$	mA
	Continuous current through $V_{CCA}$ , $V_{CCB}$ , or GND			$\pm 100$	mA
$\theta_{JA}$	Package thermal impedance <sup>(3)</sup>			88	$^{\circ}\text{C}/\text{W}$
$T_{stg}$	Storage temperature range	-65	150	$^{\circ}\text{C}$	

(1) Stresses beyond those listed under "absolute maximum ratings" may cause permanent damage to the device. These are stress ratings only, and functional operation of the device at these or any other conditions beyond those indicated under "recommended operating conditions" is not implied. Exposure to absolute-maximum-rated conditions for extended periods may affect device reliability.

(2) This value is limited to 6 V maximum.

(3) The package thermal impedance is calculated in accordance with JESD 51-7.

### Recommended Operating Conditions<sup>(1)</sup>

		$V_{CCA}$	$V_{CCB}$	MIN	NOM	MAX	UNIT
$V_{CCA}$	Supply voltage			4.5	5	5.5	V
$V_{CCB}$				2.7	3.3	5.5	
$V_{IHA}$	High-level input voltage	4.5 V	2.7 V	2			V
			3.6 V	2			
		5.5 V	5.5 V	2			
$V_{IHB}$	High-level input voltage	4.5 V	2.7 V	2			V
			3.6 V	2			
		5.5 V	5.5 V	3.85			
$V_{ILA}$	Low-level input voltage	4.5 V	2.7 V			0.8	V
			3.6 V			0.8	
		5.5 V	5.5 V			0.8	
$V_{ILB}$	Low-level input voltage	4.5 V	2.7 V			0.8	V
			3.6 V			0.8	
		5.5 V	5.5 V			1.65	
$V_{IH}$	High-level input voltage (control pins) (referenced to $V_{CCA}$ )	4.5 V	2.7 V	2			V
			3.6 V	2			
		5.5 V	5.5 V	2			
$V_{IL}$	Low-level input voltage (control pins) (referenced to $V_{CCA}$ )	4.5 V	2.7 V			0.8	V
			3.6 V			0.8	
		5.5 V	5.5 V			0.8	
$V_{IA}$	Input voltage			0		$V_{CCA}$	V
$V_{IB}$	Input voltage			0		$V_{CCB}$	V
$V_{OA}$	Output voltage			0		$V_{CCA}$	V
$V_{OB}$	Output voltage			0		$V_{CCB}$	V
$I_{OHA}$	High-level output current	4.5 V	3 V			–24	mA
$I_{OHB}$	High-level output current	4.5 V	2.7 V to 4.5 V			–24	mA
$I_{OLA}$	Low-level output current	4.5 V	3 V			24	mA
$I_{OLB}$	Low-level output current	4.5 V	2.7 V to 4.5 V			24	mA
$T_A$	Operating free-air temperature			–55		125	°C

(1) All unused inputs of the device must be held at the associated  $V_{CC}$  or GND to ensure proper device operation. See the TI application report, *Implications of Slow or Floating CMOS Inputs*, literature number SCBA004.

# SN74LVCC4245A-EP

## OCTAL DUAL-SUPPLY BUS TRANSCEIVER

### WITH CONFIGURABLE OUTPUT VOLTAGE AND 3-STATE OUTPUTS

SCAS830–MARCH 2007

#### Electrical Characteristics

over recommended operating free-air temperature range (unless otherwise noted)

PARAMETER		TEST CONDITIONS	V <sub>CCA</sub>	V <sub>CCB</sub>	MIN	TYP	MAX	UNIT
V <sub>OHA</sub>		I <sub>OH</sub> = -100 μA	4.5 V	3 V	4.4	4.49		V
		I <sub>OH</sub> = -24 mA			3.76	4.25		
V <sub>OHB</sub>		I <sub>OH</sub> = -100 μA	4.5 V	3 V	2.9	2.99		V
		I <sub>OH</sub> = -12 mA	4.5 V	2.7 V	2.2	2.5		
				3 V	2.46	2.85		
		I <sub>OH</sub> = -24 mA	4.5 V	2.7 V	2.1	2.3		
				3 V	2.25	2.65		
4.5 V	3.76	4.25						
V <sub>OLA</sub>		I <sub>OL</sub> = 100 μA	4.5 V	3 V			0.1	V
		I <sub>OL</sub> = 24 mA			0.21	0.44		
V <sub>OLB</sub>		I <sub>OL</sub> = 100 μA	4.5 V	3 V			0.1	V
		I <sub>OL</sub> = 12 mA	4.5 V	2.7 V	0.11	0.44		
				3 V	0.22	0.5		
		I <sub>OL</sub> = 24 mA	4.5 V	3 V	0.21	0.44		
4.5 V	0.18			0.44				
I <sub>I</sub>	Control inputs	V <sub>I</sub> = V <sub>CCA</sub> or GND	5.5 V	3.6 V	±0.1	±1	μA	
				5.5 V	±0.1	±1		
I <sub>OZ</sub> <sup>(1)</sup>	A or B port	V <sub>O</sub> = V <sub>CCA/B</sub> or GND, V <sub>I</sub> = V <sub>IL</sub> or V <sub>IH</sub>	5.5 V	3.6 V	±0.5	±5	μA	
I <sub>CCA</sub>	B to A	A <sub>n</sub> = V <sub>CC</sub> or GND	5.5 V	Open	8	80	μA	
		I <sub>O</sub> (A port) = 0, B <sub>n</sub> = V <sub>CCB</sub> or GND	5.5 V	3.6 V	8	80		
I <sub>CCB</sub>	A to B	A <sub>n</sub> = V <sub>CCA</sub> or GND, I <sub>O</sub> (B port) = 0	5.5 V	3.6 V	5	50	μA	
				5.5 V	8	80		
ΔI <sub>CCA</sub> <sup>(2)</sup>	A port	V <sub>I</sub> = V <sub>CCA</sub> - 2.1 V, Other inputs at V <sub>CCA</sub> or GND, $\overline{OE}$ at GND and DIR at V <sub>CCA</sub>	5.5 V	5.5 V	1.35	1.5	mA	
	$\overline{OE}$	V <sub>I</sub> = V <sub>CCA</sub> - 2.1 V, Other inputs at V <sub>CCA</sub> or GND, DIR at V <sub>CCA</sub> or GND	5.5 V	5.5 V	1	1.5		
	DIR	V <sub>I</sub> = V <sub>CCA</sub> - 2.1 V, Other inputs at V <sub>CCA</sub> or GND, $\overline{OE}$ at V <sub>CCA</sub> or GND	5.5 V	3.6 V	1	1.5		
ΔI <sub>CCB</sub> <sup>(2)</sup>	B port	V <sub>I</sub> = V <sub>CCB</sub> - 0.6 V, Other inputs at V <sub>CCB</sub> or GND, $\overline{OE}$ at GND and DIR at GND	5.5 V	3.6 V	0.35	0.5	mA	
C <sub>i</sub>	Control inputs	V <sub>I</sub> = V <sub>CCA</sub> or GND	Open	Open	5		pF	
C <sub>io</sub>	A or B port	V <sub>O</sub> = V <sub>CCA/B</sub> or GND	5 V	3.3 V	11		pF	

(1) For I/O ports, the parameter I<sub>OZ</sub> includes the input leakage current.

(2) This is the increase in supply current for each input that is at one of the specified TTL voltage levels, rather than 0 V or the associated V<sub>CC</sub>.

### Switching Characteristics

over recommended operating free-air temperature range,  $C_L = 50$  pF (unless otherwise noted) (see [Figure 1](#) through [Figure 4](#))

PARAMETER	FROM (INPUT)	TO (OUTPUT)	$V_{CCA} = 5\text{ V} \pm 0.5\text{ V}$ , $V_{CCB} = 5\text{ V} \pm 0.5\text{ V}$		$V_{CCA} = 5\text{ V} \pm 0.5\text{ V}$ , $V_{CCB} = 2.7\text{ V to } 3.6\text{ V}$		UNIT
			MIN	MAX	MIN	MAX	
$t_{PHL}$	A	B	1	7.1	1	7	ns
$t_{PLH}$			1	6	1	7	
$t_{PHL}$	B	A	1	6.8	1	6.2	ns
$t_{PLH}$			1	6.1	1	5.3	
$t_{PZL}$	$\overline{OE}$	A	1	9	1	9	ns
$t_{PZH}$			1	8.3	1	8	
$t_{PZL}$	$\overline{OE}$	B	1	8.2	1	10	ns
$t_{PZH}$			1	8.1	1	10.2	
$t_{PLZ}$	$\overline{OE}$	A	1	5.5	1	5.9	ns
$t_{PHZ}$			1	5.7	1	5.9	
$t_{PLZ}$	$\overline{OE}$	B	1	6.4	1	6.4	ns
$t_{PHZ}$			1	7.8	1	8.9	

### Operating Characteristics

$V_{CCA} = 5\text{ V}$ ,  $V_{CCB} = 3.3\text{ V}$ ,  $T_A = 25\text{ }^\circ\text{C}$

PARAMETER		TEST CONDITIONS	TYP	UNIT
$C_{pd}$	Power dissipation capacitance per transceiver	Outputs enabled	20	pF
		Outputs disabled	6.5	

$C_L = 0$ ,  $f = 10\text{ MHz}$

### Power-Up Considerations<sup>(1)</sup>

TI level-translation devices offer an opportunity for successful mixed-voltage signal design. A proper power-up sequence should always be followed to avoid excessive supply current, bus contention, oscillations, or other anomalies caused by improperly biased device pins. Take the following precautions to guard against such power-up problems:

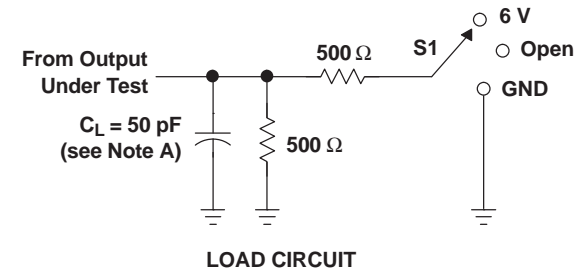
1. Connect ground before any supply voltage is applied.
2. Power up the control side of the device ( $V_{CCA}$  for all four of these devices).
3. Tie  $\overline{OE}$  to  $V_{CCA}$  with a pullup resistor so that it ramps with  $V_{CCA}$ .
4. Depending on the direction of the data path, DIR can be high or low. If DIR high is needed (A data to B bus), ramp it with  $V_{CCA}$ . Otherwise, keep DIR low.

(1) See the TI application report, *Texas Instruments Voltage-Level-Translation Devices*, literature number SCEA021.

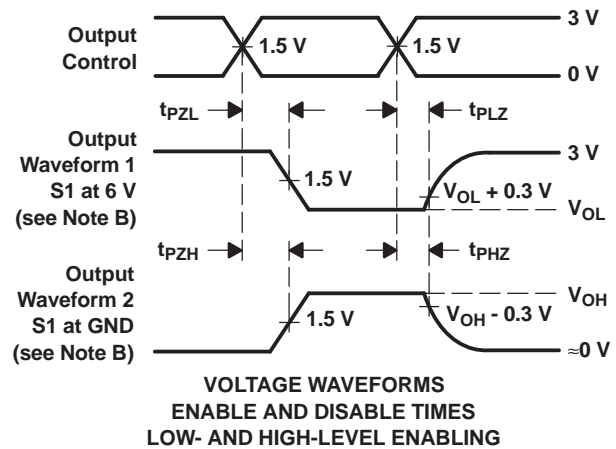
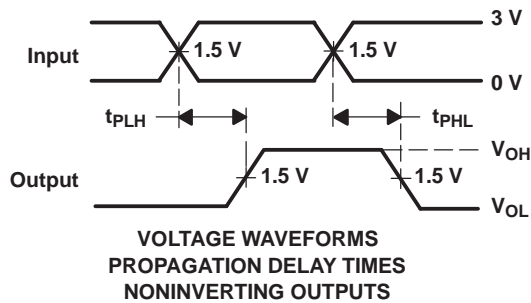
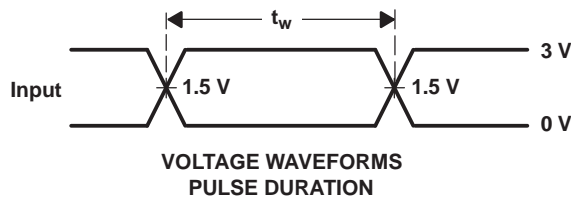
**SN74LVCC4245A-EP**  
**OCTAL DUAL-SUPPLY BUS TRANSCEIVER**  
**WITH CONFIGURABLE OUTPUT VOLTAGE AND 3-STATE OUTPUTS**

SCAS830–MARCH 2007

**PARAMETER MEASUREMENT INFORMATION FOR A TO B**  
 $V_{CCA} = 4.5\text{ V to }5.5\text{ V}$  and  $V_{CCB} = 2.7\text{ V to }3.6\text{ V}$



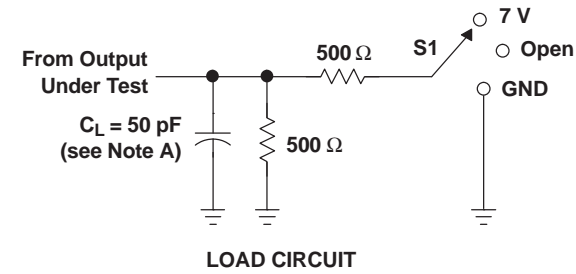
TEST	S1
$t_{PLH}/t_{PHL}$	Open
$t_{PLZ}/t_{PZL}$	6 V
$t_{PHZ}/t_{PZH}$	GND



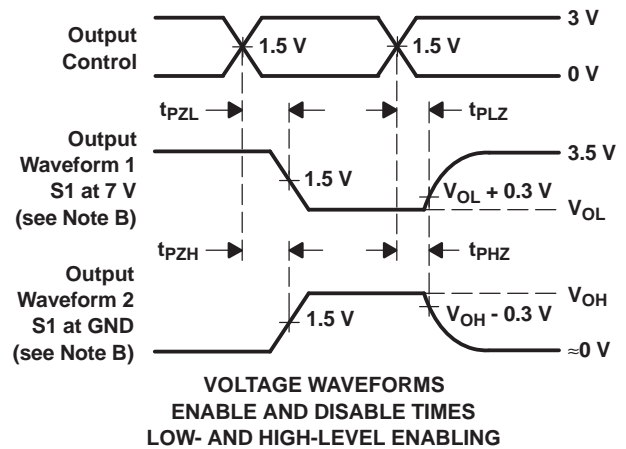
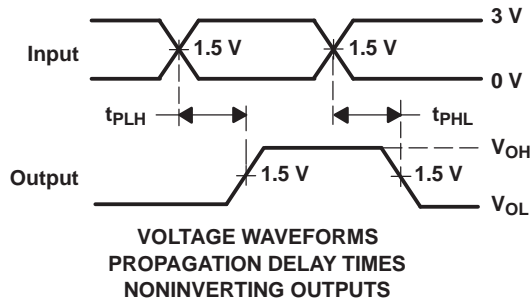
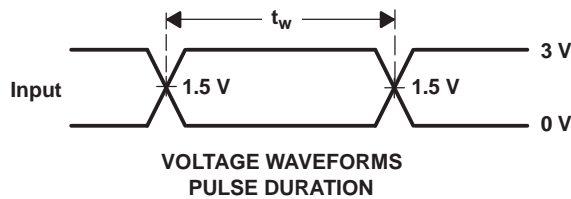
- NOTES: A.  $C_L$  includes probe and jig capacitance.  
B. Waveform 1 is for an output with internal conditions such that the output is low, except when disabled by the output control. Waveform 2 is for an output with internal conditions such that the output is high, except when disabled by the output control.  
C. All input pulses are supplied by generators having the following characteristics:  $PRR \leq 10\text{ MHz}$ ,  $Z_O = 50\ \Omega$ ,  $t_r \leq 2.5\text{ ns}$ ,  $t_f \leq 2.5\text{ ns}$ .  
D. The outputs are measured one at a time, with one transition per measurement.  
E. All parameters and waveforms are not applicable to all devices.

**Figure 1. Load Circuit and Voltage Waveforms**

PARAMETER MEASUREMENT INFORMATION FOR A TO B  
 $V_{CCA} = 4.5\text{ V to }5.5\text{ V}$  and  $V_{CCB} = 3.6\text{ V to }5.5\text{ V}$



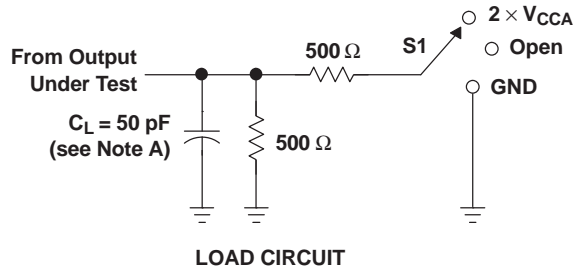
TEST	S1
$t_{PLH}/t_{PHL}$	Open
$t_{PLZ}/t_{PZL}$	7 V
$t_{PHZ}/t_{PZH}$	GND



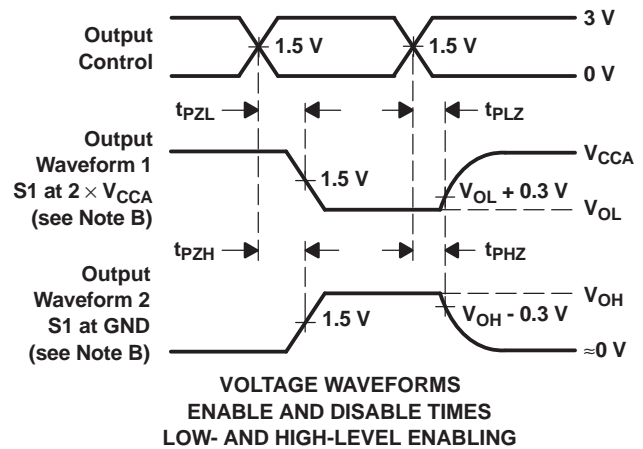
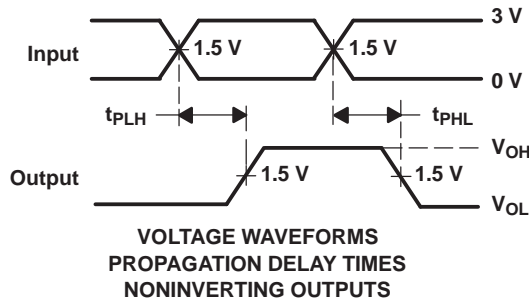
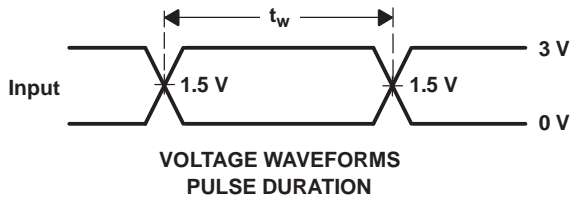
- NOTES: A.  $C_L$  includes probe and jig capacitance.  
 B. Waveform 1 is for an output with internal conditions such that the output is low, except when disabled by the output control. Waveform 2 is for an output with internal conditions such that the output is high, except when disabled by the output control.  
 C. All input pulses are supplied by generators having the following characteristics:  $PRR \leq 10\text{ MHz}$ ,  $Z_O = 50\ \Omega$ ,  $t_r \leq 2.5\text{ ns}$ ,  $t_f \leq 2.5\text{ ns}$ .  
 D. The outputs are measured one at a time, with one transition per measurement.  
 E. All parameters and waveforms are not applicable to all devices.

Figure 2. Load Circuit and Voltage Waveforms

**PARAMETER MEASUREMENT INFORMATION FOR B TO A**  
 $V_{CCA} = 4.5\text{ V to }5.5\text{ V}$  and  $V_{CCB} = 2.7\text{ V to }3.6\text{ V}$



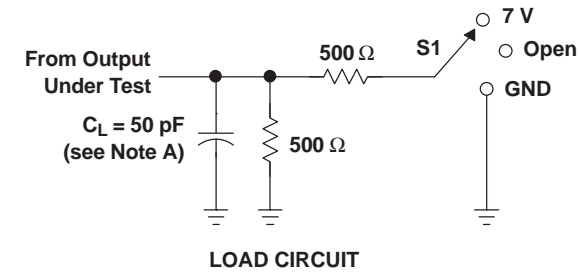
TEST	S1
$t_{PLH}/t_{PHL}$	Open
$t_{PLZ}/t_{PZL}$	$2 \times V_{CCA}$
$t_{PHZ}/t_{PZH}$	GND



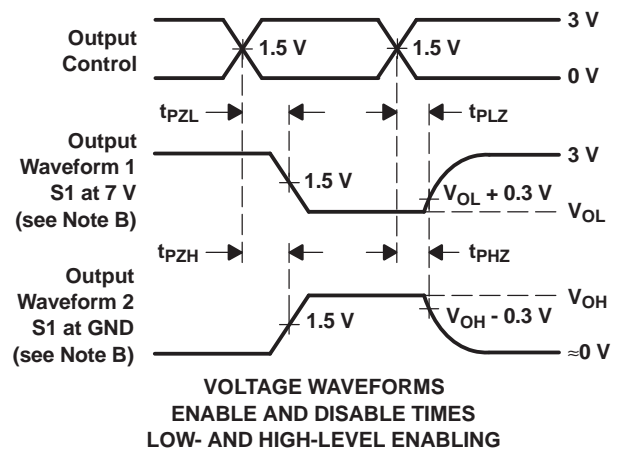
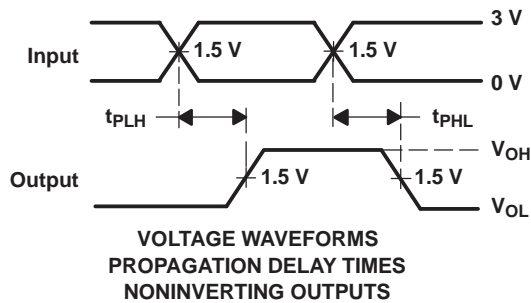
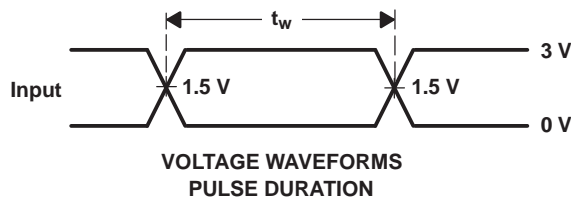
- NOTES: A.  $C_L$  includes probe and jig capacitance.  
B. Waveform 1 is for an output with internal conditions such that the output is low, except when disabled by the output control. Waveform 2 is for an output with internal conditions such that the output is high, except when disabled by the output control.  
C. All input pulses are supplied by generators having the following characteristics:  $PRR \leq 10\text{ MHz}$ ,  $Z_O = 50\ \Omega$ ,  $t_r \leq 2.5\text{ ns}$ ,  $t_f \leq 2.5\text{ ns}$ .  
D. The outputs are measured one at a time, with one transition per measurement.  
E. All parameters and waveforms are not applicable to all devices.

**Figure 3. Load Circuit and Voltage Waveforms**

PARAMETER MEASUREMENT INFORMATION FOR B TO A  
 $V_{CCA} = 4.5\text{ V to }5.5\text{ V}$  and  $V_{CCB} = 3.6\text{ V to }5.5\text{ V}$



TEST	S1
$t_{PLH}/t_{PHL}$	Open
$t_{PLZ}/t_{PZL}$	7 V
$t_{PHZ}/t_{PZH}$	GND



- NOTES: A.  $C_L$  includes probe and jig capacitance.  
B. Waveform 1 is for an output with internal conditions such that the output is low, except when disabled by the output control. Waveform 2 is for an output with internal conditions such that the output is high, except when disabled by the output control.  
C. All input pulses are supplied by generators having the following characteristics:  $PRR \leq 10\text{ MHz}$ ,  $Z_O = 50\ \Omega$ ,  $t_r \leq 2.5\text{ ns}$ ,  $t_f \leq 2.5\text{ ns}$ .  
D. The outputs are measured one at a time, with one transition per measurement.  
E. All parameters and waveforms are not applicable to all devices.

Figure 4. Load Circuit and Voltage Waveforms

**PACKAGING INFORMATION**

Orderable Device	Status (1)	Package Type	Package Drawing	Pins	Package Qty	Eco Plan (2)	Lead finish/ Ball material (6)	MSL Peak Temp (3)	Op Temp (°C)	Device Marking (4/5)	Samples
CLVCC4245AMPWREP	ACTIVE	TSSOP	PW	24	2000	RoHS & Green	NIPDAU	Level-1-260C-UNLIM	-55 to 125	LG245A-EP	<a href="#">Samples</a>
CLVCC4245AMPWREPG4	ACTIVE	TSSOP	PW	24	2000	RoHS & Green	NIPDAU	Level-1-260C-UNLIM	-55 to 125	LG245A-EP	<a href="#">Samples</a>
V62/06658-01XE	ACTIVE	TSSOP	PW	24	2000	RoHS & Green	NIPDAU	Level-1-260C-UNLIM	-55 to 125	LG245A-EP	<a href="#">Samples</a>

(1) The marketing status values are defined as follows:

**ACTIVE:** Product device recommended for new designs.

**LIFEBUY:** TI has announced that the device will be discontinued, and a lifetime-buy period is in effect.

**NRND:** Not recommended for new designs. Device is in production to support existing customers, but TI does not recommend using this part in a new design.

**PREVIEW:** Device has been announced but is not in production. Samples may or may not be available.

**OBSOLETE:** TI has discontinued the production of the device.

(2) **RoHS:** TI defines "RoHS" to mean semiconductor products that are compliant with the current EU RoHS requirements for all 10 RoHS substances, including the requirement that RoHS substance do not exceed 0.1% by weight in homogeneous materials. Where designed to be soldered at high temperatures, "RoHS" products are suitable for use in specified lead-free processes. TI may reference these types of products as "Pb-Free".

**RoHS Exempt:** TI defines "RoHS Exempt" to mean products that contain lead but are compliant with EU RoHS pursuant to a specific EU RoHS exemption.

**Green:** TI defines "Green" to mean the content of Chlorine (Cl) and Bromine (Br) based flame retardants meet JS709B low halogen requirements of <=1000ppm threshold. Antimony trioxide based flame retardants must also meet the <=1000ppm threshold requirement.

(3) MSL, Peak Temp. - The Moisture Sensitivity Level rating according to the JEDEC industry standard classifications, and peak solder temperature.

(4) There may be additional marking, which relates to the logo, the lot trace code information, or the environmental category on the device.

(5) Multiple Device Markings will be inside parentheses. Only one Device Marking contained in parentheses and separated by a "~" will appear on a device. If a line is indented then it is a continuation of the previous line and the two combined represent the entire Device Marking for that device.

(6) Lead finish/Ball material - Orderable Devices may have multiple material finish options. Finish options are separated by a vertical ruled line. Lead finish/Ball material values may wrap to two lines if the finish value exceeds the maximum column width.

**Important Information and Disclaimer:**The information provided on this page represents TI's knowledge and belief as of the date that it is provided. TI bases its knowledge and belief on information provided by third parties, and makes no representation or warranty as to the accuracy of such information. Efforts are underway to better integrate information from third parties. TI has taken and continues to take reasonable steps to provide representative and accurate information but may not have conducted destructive testing or chemical analysis on incoming materials and chemicals. TI and TI suppliers consider certain information to be proprietary, and thus CAS numbers and other limited information may not be available for release.

In no event shall TI's liability arising out of such information exceed the total purchase price of the TI part(s) at issue in this document sold by TI to Customer on an annual basis.

**OTHER QUALIFIED VERSIONS OF SN74LVCC4245A-EP :**

- Catalog: [SN74LVCC4245A](#)

NOTE: Qualified Version Definitions:

- Catalog - TI's standard catalog product

**TAPE AND REEL INFORMATION**

**QUADRANT ASSIGNMENTS FOR PIN 1 ORIENTATION IN TAPE**


\*All dimensions are nominal

Device	Package Type	Package Drawing	Pins	SPQ	Reel Diameter (mm)	Reel Width W1 (mm)	A0 (mm)	B0 (mm)	K0 (mm)	P1 (mm)	W (mm)	Pin1 Quadrant
CLVCC4245AMPWREP	TSSOP	PW	24	2000	330.0	16.4	6.95	8.3	1.6	8.0	16.0	Q1

**TAPE AND REEL BOX DIMENSIONS**


\*All dimensions are nominal

Device	Package Type	Package Drawing	Pins	SPQ	Length (mm)	Width (mm)	Height (mm)
CLVCC4245AMPWREP	TSSOP	PW	24	2000	356.0	356.0	35.0



# EXAMPLE BOARD LAYOUT

PW0024A

TSSOP - 1.2 mm max height

SMALL OUTLINE PACKAGE



LAND PATTERN EXAMPLE  
EXPOSED METAL SHOWN  
SCALE: 10X



SOLDER MASK DETAILS

4220208/A 02/2017

NOTES: (continued)

- 6. Publication IPC-7351 may have alternate designs.
- 7. Solder mask tolerances between and around signal pads can vary based on board fabrication site.

# EXAMPLE STENCIL DESIGN

PW0024A

TSSOP - 1.2 mm max height

SMALL OUTLINE PACKAGE



NOTES: (continued)

8. Laser cutting apertures with trapezoidal walls and rounded corners may offer better paste release. IPC-7525 may have alternate design recommendations.
9. Board assembly site may have different recommendations for stencil design.

## IMPORTANT NOTICE AND DISCLAIMER

TI PROVIDES TECHNICAL AND RELIABILITY DATA (INCLUDING DATA SHEETS), DESIGN RESOURCES (INCLUDING REFERENCE DESIGNS), APPLICATION OR OTHER DESIGN ADVICE, WEB TOOLS, SAFETY INFORMATION, AND OTHER RESOURCES "AS IS" AND WITH ALL FAULTS, AND DISCLAIMS ALL WARRANTIES, EXPRESS AND IMPLIED, INCLUDING WITHOUT LIMITATION ANY IMPLIED WARRANTIES OF MERCHANTABILITY, FITNESS FOR A PARTICULAR PURPOSE OR NON-INFRINGEMENT OF THIRD PARTY INTELLECTUAL PROPERTY RIGHTS.

These resources are intended for skilled developers designing with TI products. You are solely responsible for (1) selecting the appropriate TI products for your application, (2) designing, validating and testing your application, and (3) ensuring your application meets applicable standards, and any other safety, security, regulatory or other requirements.

These resources are subject to change without notice. TI grants you permission to use these resources only for development of an application that uses the TI products described in the resource. Other reproduction and display of these resources is prohibited. No license is granted to any other TI intellectual property right or to any third party intellectual property right. TI disclaims responsibility for, and you will fully indemnify TI and its representatives against, any claims, damages, costs, losses, and liabilities arising out of your use of these resources.

TI's products are provided subject to [TI's Terms of Sale](#) or other applicable terms available either on [ti.com](http://ti.com) or provided in conjunction with such TI products. TI's provision of these resources does not expand or otherwise alter TI's applicable warranties or warranty disclaimers for TI products.

TI objects to and rejects any additional or different terms you may have proposed.

Mailing Address: Texas Instruments, Post Office Box 655303, Dallas, Texas 75265  
Copyright © 2022, Texas Instruments Incorporated

## Looking for pricing, stock, or lifecycle information?

Click below to explore more details on WIN SOURCE:

 [View CLVCC4245AMPWREP on WIN SOURCE](#)

 [Texas Instruments](#) Information

## Optimize Your Supply Chain with WIN SOURCE Solutions

-  Global Sourcing Solution
-  Obsolete Management
-  Cost Control Management
-  Shortage Management
-  Alternative Solution
-  Excess Inventory Management