



**THE DATASHEET OF  
PI3HDMI412FTBE**



## 4-Differential Channel, 2:1 Mux/DeMux, DVI/HDMI Compliant Signal Switch with Flow-through Pin Out

### Features

- 4-Differential Channel 2:1 Mux/DeMux
- DVI, HDMI rev 1.1, and HDMI rev 1.2 signal compatible
- -3dB BW = 1.5 GHz (3.0Gbps)
- Crosstalk: -35dB@1.65Gbps
- Switching speed: 4ns
- Isolation: -37dB@1.65Gbps
- ESD: Data bits @ 8kV HBM, select bit @ 2kV HBM
- Near-Zero Prop Delay: 200ps max.
- Low bit-to-bit skew
- Hot insertion capable
- Enable/Disable Time: 9ns
- Bidirectional
- Packaging (Pb-free & Green):
  - 42-pin TQFN (ZH42)
  - 48-pin BQSOP (B48)

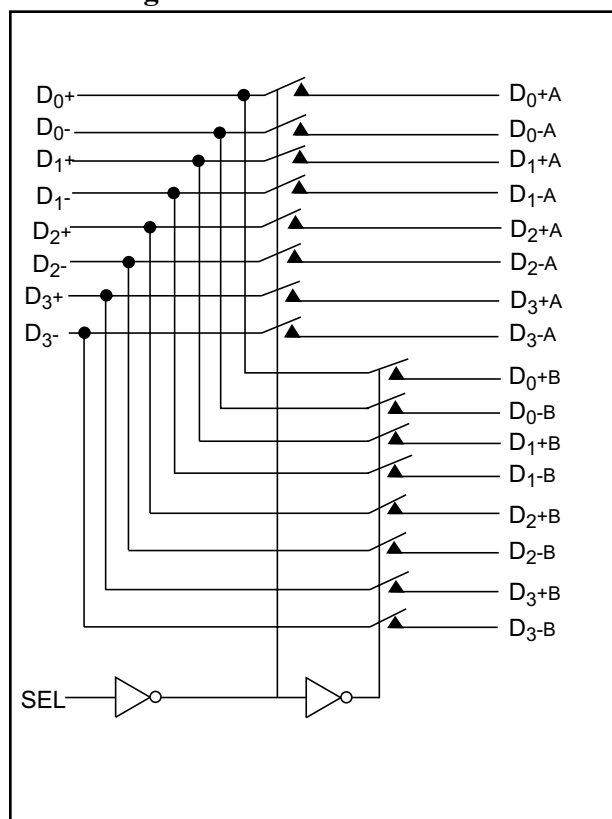
### Description

Pericom Semiconductor's PI3HDMI series of switch circuits are targeted for high-resolution video networks that are based on DVI/HDMI standards, and TMDS signal processing. The PI3HDMI412FT is an 8- to 4-Channel Mux/DeMux Switch. The device multiplexes differential signals to one of two corresponding outputs. The switch is bidirectional and offers little or no attenuation of the high-speed signals at the outputs. It is designed for low bit-to-bit skew and high channel-to-channel noise isolation.

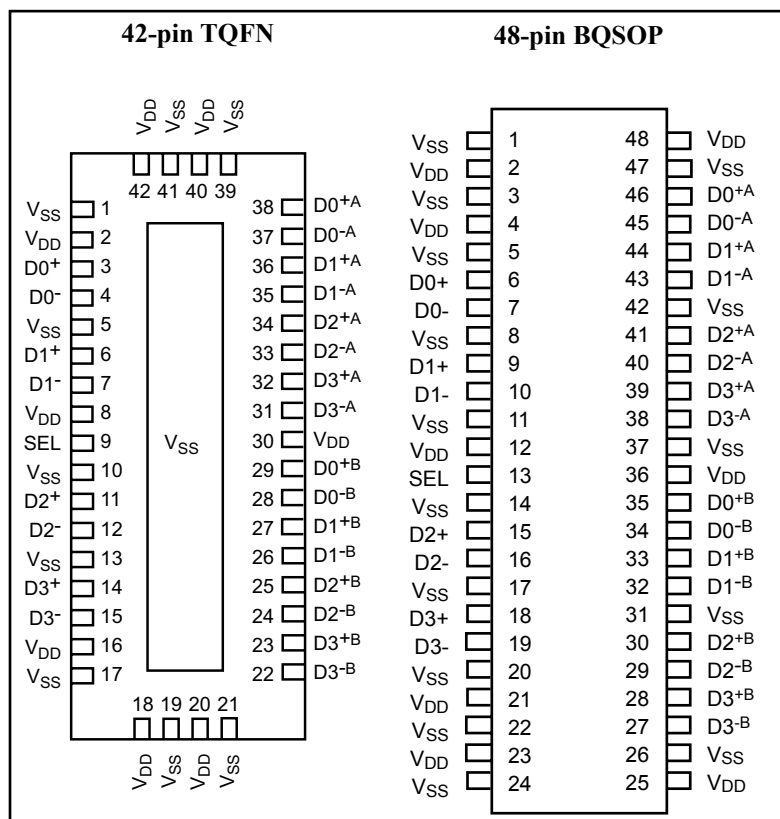
The maximum DVI/HDMI data rate of 1.65Gbps provides the resolution required by the next generation HDTV and PC graphics. Three differential channels are used for data (video signals for DVI or audio/video signals for HDMI), and one differential channel is used for Clock for decoding the TMDS signals at the outputs.

Because of its passive bidirectional feature, this switch can be used either at the video drivers side or at the receiver side. For PC graphics applications, the device sits at the drivers side to switch between multiple display units such as PC LCD monitor, projector, TV, etc. For consumer video applications, the device sits at the receiver end to switch between the source components such as DVD, D-VHS, STB, etc.

### Block Diagram



### Pin Description



### Pin Description

Pin # (BQSOP)	Pin # (TQFN)	Pin Name <sup>(1,2)</sup>	Description
2, 4, 12, 21, 23, 25, 36, 48	2, 8, 16, 18, 20, 30, 40, 42	V <sub>DD</sub>	+ Power supply 3.30
1, 3, 5, 8, 11, 14, 17, 20, 22, 24, 26, 31, 37, 42, 47	1, 5, 10, 13, 17, 19, 21, 39, 41	V <sub>SS</sub>	- Power supply
13	9	SEL	Select pin, see truth table
6, 7, 9, 10, 15, 16, 18, 19, 27-30, 32-35, 38-41, 43-46	3, 4, 6, 7, 11, 12, 14, 15, 22-29, 31-38,	Dx <sup>+/-n</sup>	Data + Clk bits for TMDS signal

**Notes:**

1. x = 0,1,2,3
2. n = A or B

### Truth Table<sup>(1)</sup>

Function	SEL
Dx to Dx <sup>A</sup>	L
Dx to Dx <sup>B</sup>	H

**Notes:**

1. x = 0,1,2,3

### Maximum Ratings

(Above which useful life may be impaired. For user guidelines, not tested.)

Storage Temperature.....	-65°C to +150°C
Supply Voltage to V <sub>SS</sub> Potential.....	-0.5V to +2.5V
DC Input Voltage .....	V <sub>SS</sub> to V <sub>DD</sub>
DC Output Current.....	120mA

**Note:** Stresses greater than those listed under MAXIMUM RATINGS may cause permanent damage to the device. This is a stress rating only and functional operation of the device at these or any other conditions above those indicated in the operational sections of this specification is not implied. Exposure to absolute maximum rating conditions for extended periods may affect reliability.

### DC Power Supply Characteristics

Parameter	Description	Min.	Max.	Units
V <sub>DD</sub>	Positive Power Supply	3.0	3.6	V
V <sub>SS</sub>	Negative Power Supply	1.5	1.6	V

### DC Electrical Characteristics for Switching over Operating Range (T<sub>A</sub> = -40°C to +85°C)

Parameter	Description	Test Conditions <sup>(1)</sup>	Min.	Typ. <sup>(2)</sup>	Max.	Units
V <sub>IH</sub> <sup>(3)</sup>	Input HIGH Voltage	Guaranteed HIGH level	0.65(V <sub>DD</sub> -V <sub>SS</sub> )+V <sub>SS</sub>			V
V <sub>IL</sub> <sup>(3)</sup>	Input LOW Voltage	Guaranteed LOW level	-0.5+V <sub>SS</sub>		0.35(V <sub>DD</sub> -V <sub>SS</sub> )+V <sub>SS</sub>	
V <sub>IK</sub>	Clamp Diode Voltage	V <sub>DD</sub> =Max., I <sub>IN</sub> =-18mA		-0.7+V <sub>SS</sub>	-1.2+V <sub>SS</sub>	
I <sub>IH</sub>	Input HIGH Current	V <sub>DD</sub> =Max., V <sub>IN</sub> =V <sub>DD</sub>			±5	µA
I <sub>IL</sub>	Input LOW Current	V <sub>DD</sub> =Max., V <sub>IN</sub> =V <sub>SS</sub>			±5	

**Notes:**

1. For Max. or Min. conditions, use appropriate value specified under Electrical Characteristics for the applicable device type.
2. Typical values are at T<sub>A</sub> = 25°C ambient and maximum loading.
3. V<sub>IH</sub> & V<sub>IL</sub> are for SEL input only.

### Power Supply Characteristics

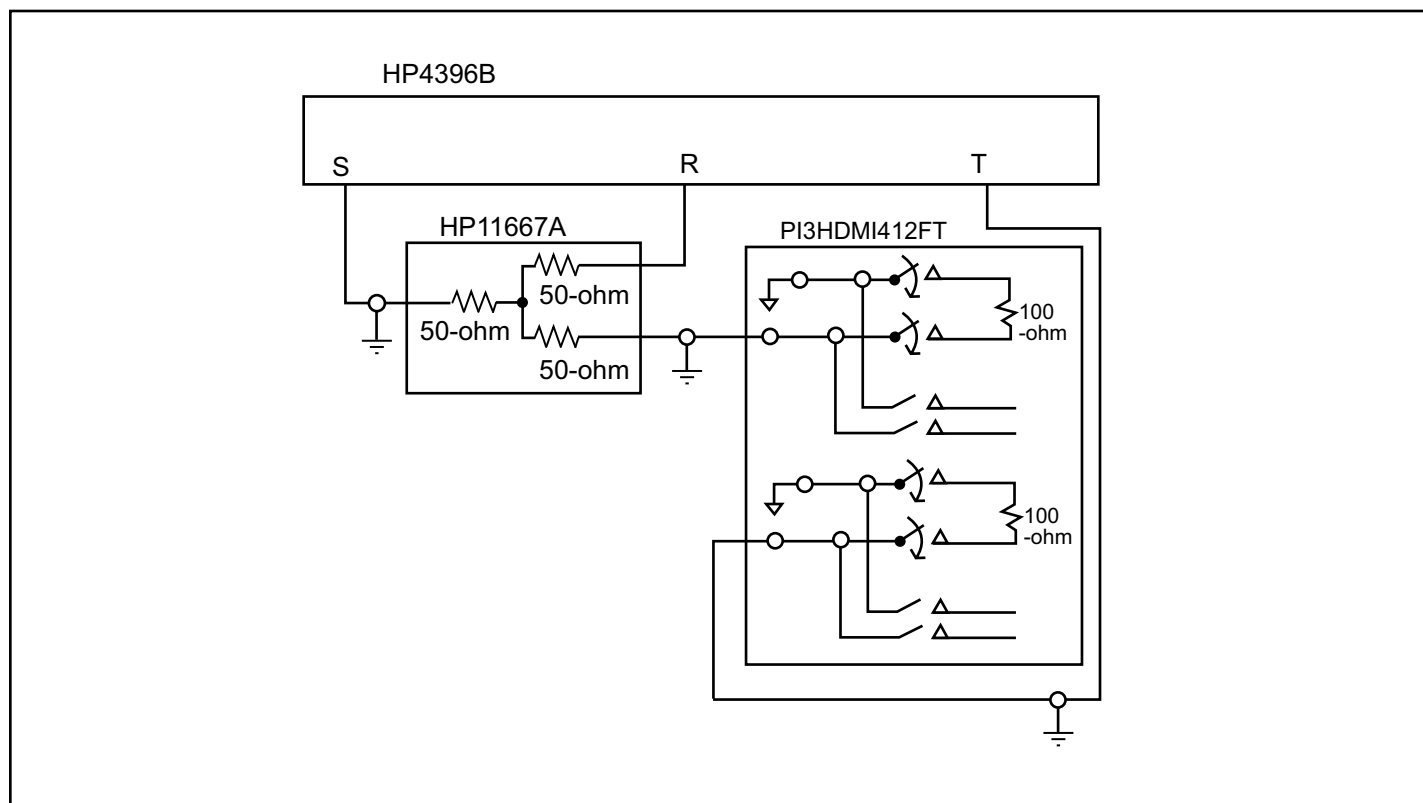
Parameters	Description	Test Conditions <sup>(1)</sup>	Min.	Typ. <sup>(2)</sup>	Max.	Units
I <sub>DD</sub>	Quiescent Power Supply Current	V <sub>DD</sub> = Max., V <sub>IN</sub> = V <sub>DD</sub> or V <sub>SS</sub>		200		μA

**Notes:**

1. For Max. or Min. conditions, use appropriate value specified under Electrical Characteristics for the applicable device type.
2. Typical values are at T<sub>A</sub> = 25°C ambient and maximum loading.

### Dynamic Electrical Characteristics Over the Operating Range (T<sub>A</sub> = -40° to +85°C)

Parameter	Description	Test Conditions	Min.	Typ.	Max.	Units
X <sub>TALK</sub>	Crosstalk	See Fig. 1 for Measurement Setup, @ 1.65 Gbps		-36		dB
O <sub>IRR</sub>	OFF Isolation	See Fig. 2 for Measurement Setup, @ 1.65 Gbps		-35		
BW	-3db Bandwidth			1.5		GHz



**Fig 1. Crosstalk Setup**

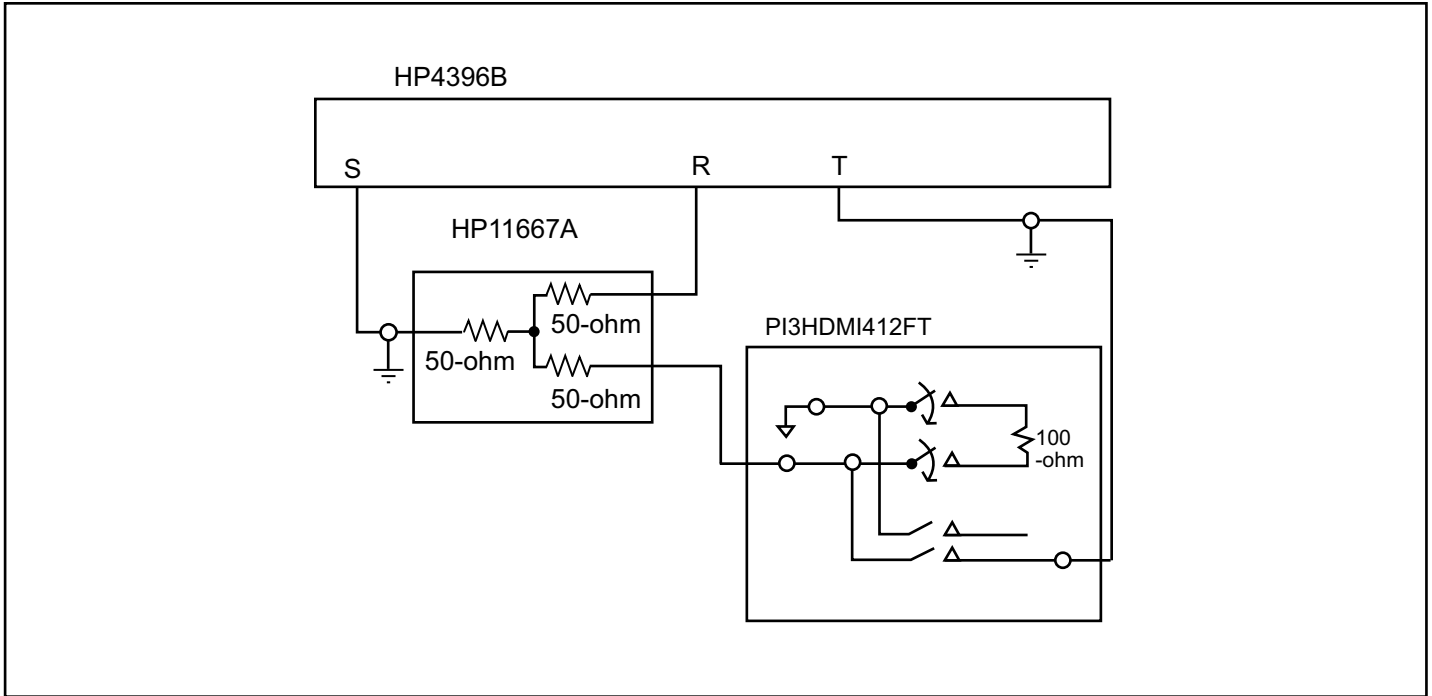


Fig 2. Off-isolation setup

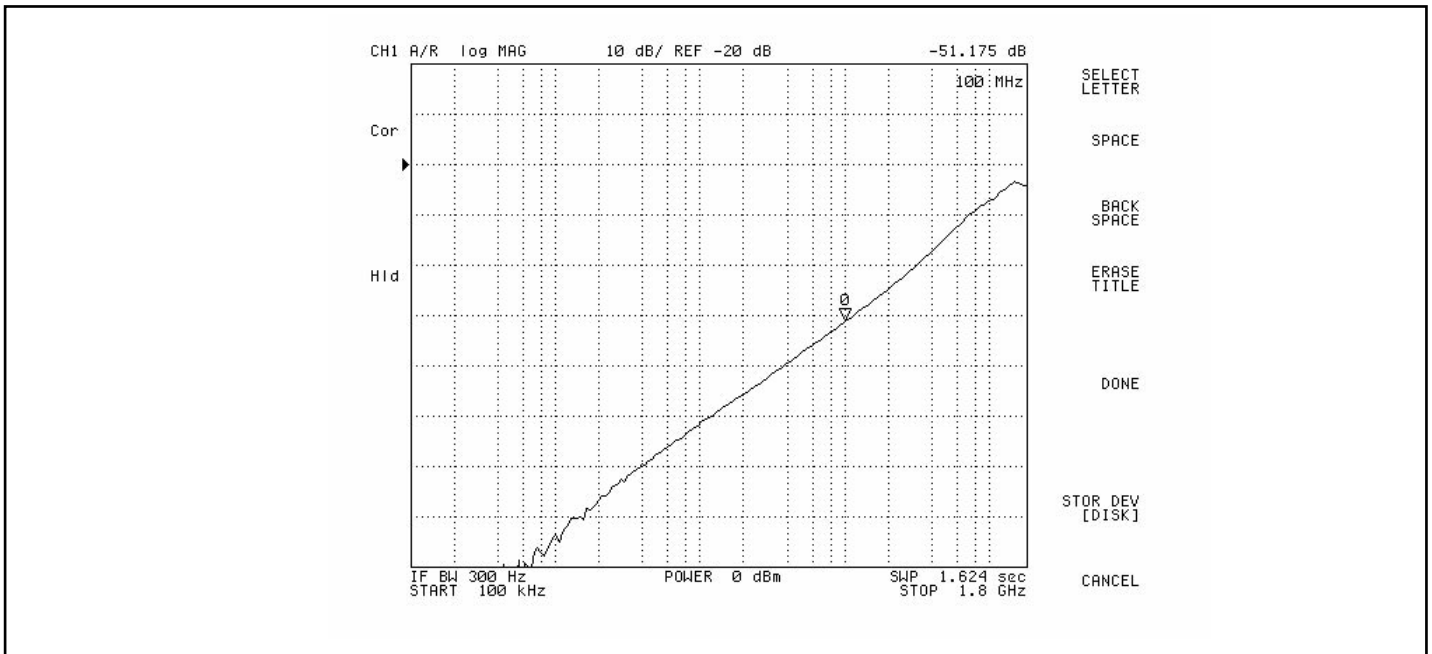


Fig 3. Crosstalk

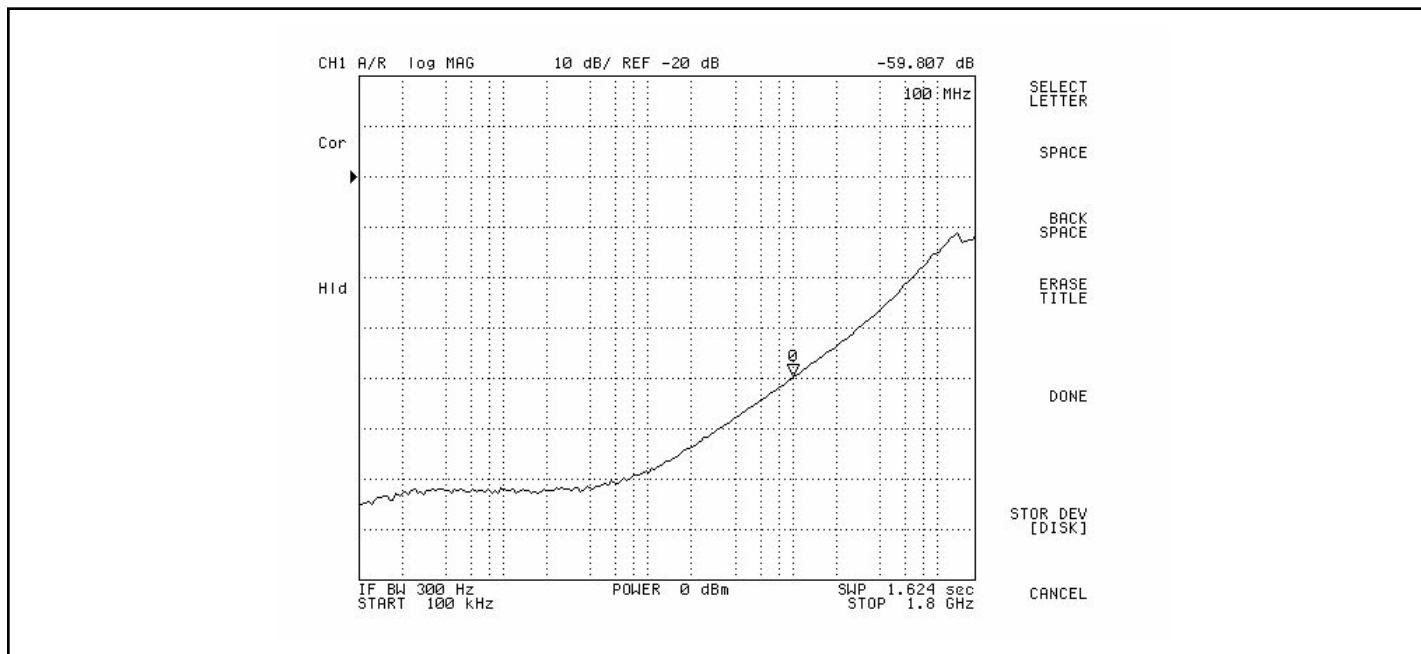


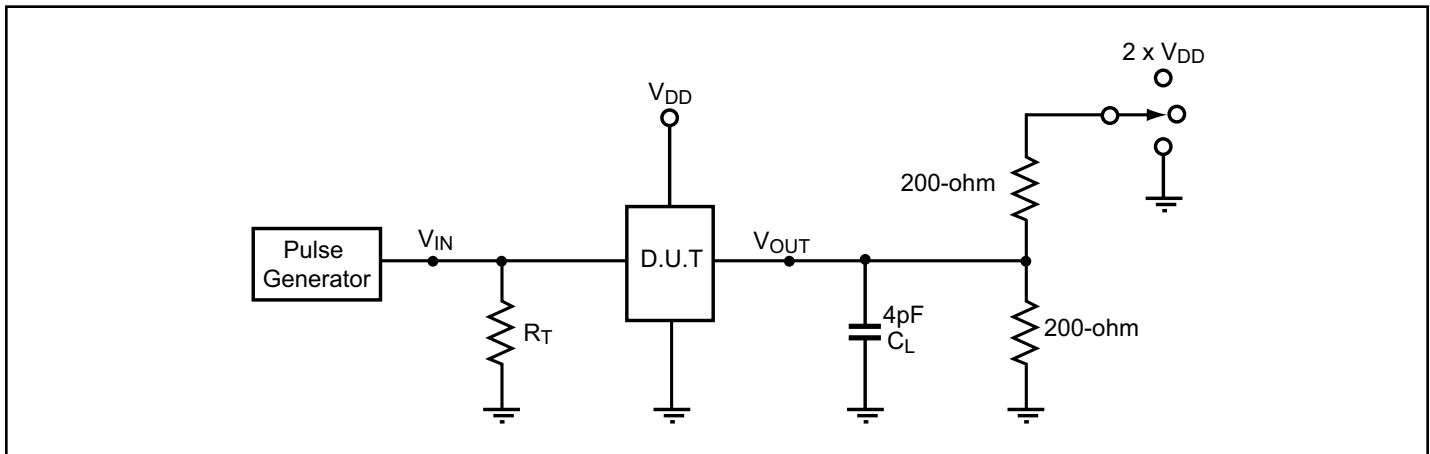
Fig 4. Off Isolation

**Switching Characteristics** ( $T_A = -40^\circ$  to  $+85^\circ\text{C}$ ,  $V_{SS} = 0\text{V}$ ,  $V_{DD} = 1.8\text{V} \pm 10\%$ )

Parameter	Description	Min.	Max.	Units
$t_{PZH}$ , $t_{PZL}$	Line Enable Time - SEL to $Dx^{+/-A}$ , $Dx^{+/-B}$ (1)	0.5	8.0	ns
$t_{PHZ}$ , $t_{PLZ}$	Line Disable Time - SEL to $Dx^{+/-A}$ , $Dx^{+/-B}$ (1)	0.5	4.0	

**Notes:**

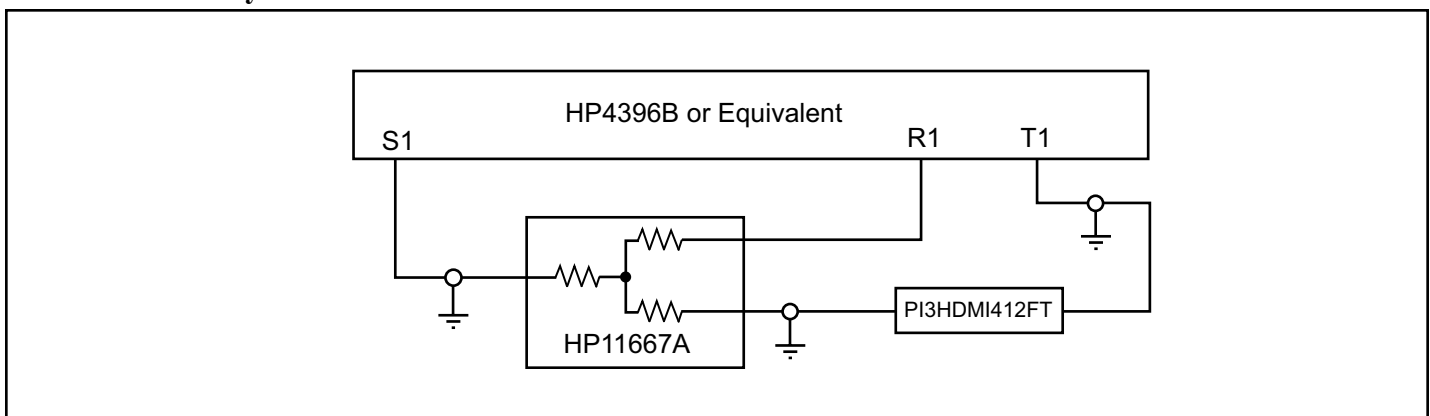
1. For measurement setup, please see "Test Circuit For Electrical Characteristic" on page 6, and "Switching waveforms" on page 7

**Test Circuit for Electrical Characteristics**

**Notes:**

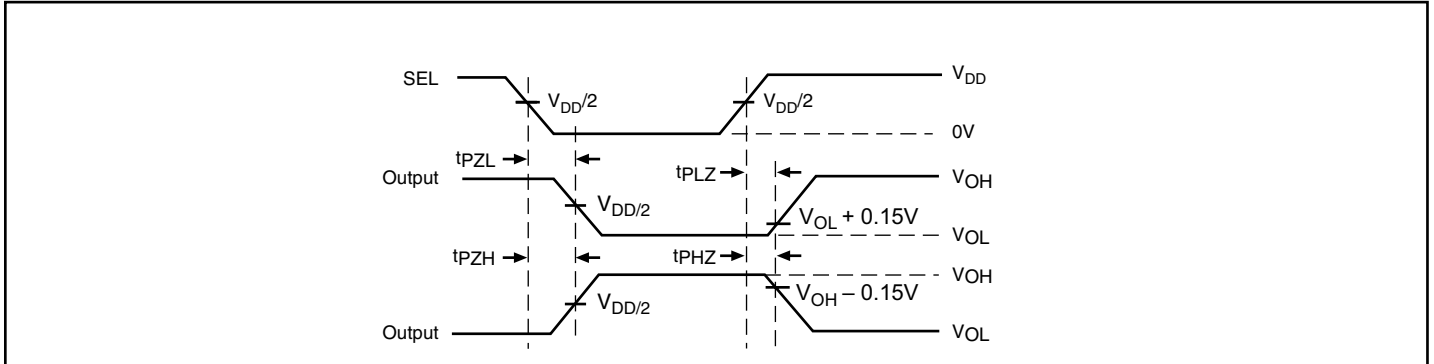
1.  $C_L$  = Load capacitance: includes jig and probe capacitance.
2.  $R_T$  = Termination resistance: should be equal to  $Z_{OUT}$  of the Pulse Generator
3. Waveform 1 is for an output with internal conditions such that the output is low except when disabled by the output control.  
Waveform 2 is for an output with internal conditions such that the output is high except when disabled by the output control.
4. All input impulses are supplied by generators having the following characteristics:  $PRR \leq \text{MHz}$ ,  $Z_O = 50\Omega$ ,  $t_R \leq 2.5\text{ns}$ ,  $t_F \leq 2.5\text{ns}$ .
5. The outputs are measured one at a time with one transition per measurement.

**Switch Positions**

Test	Switch
$t_{PLZ}$ , $t_{PZL}$ (output on B-side)	$2 \times (V_{DD} - V_{SS})$
$t_{PHZ}$ , $t_{PZH}$ (output on B-side)	$V_{SS}$
Prop Delay	Open

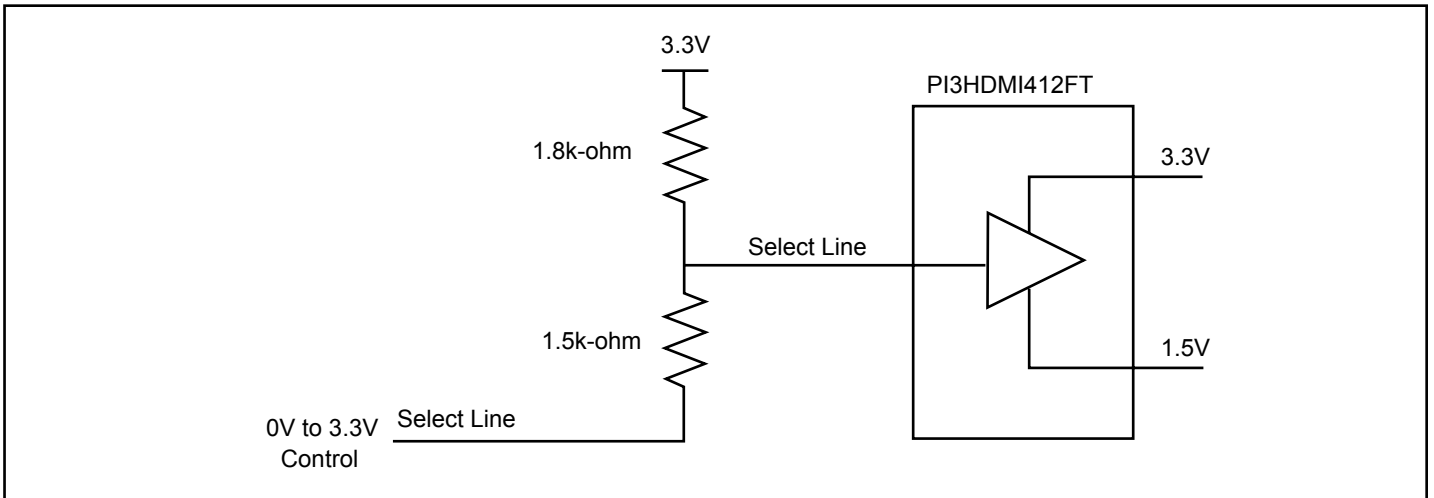
**Test Circuit for Dynamic Electrical Characteristics**


**Switching Waveforms**



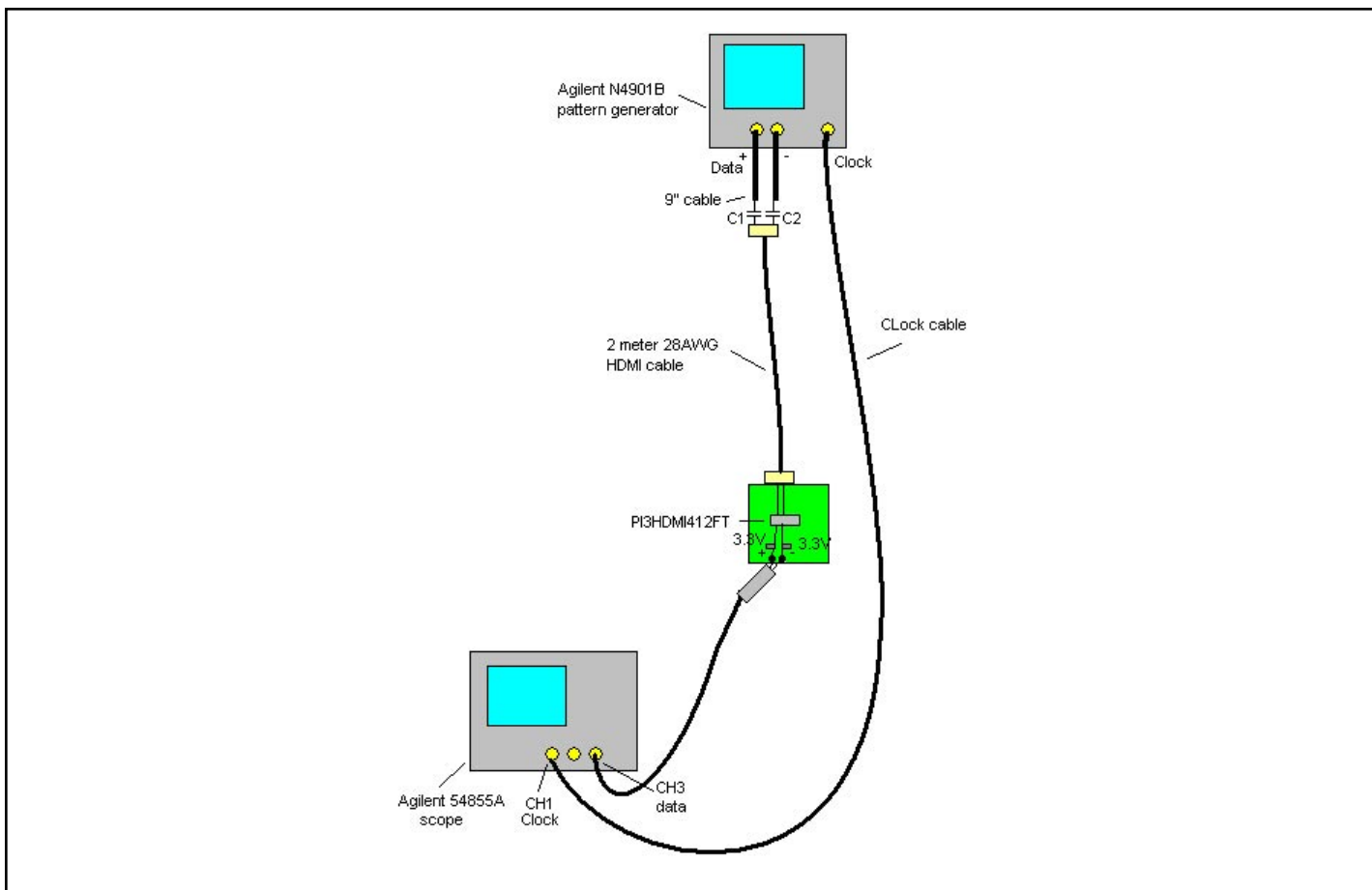
**Voltage Waveforms Enable and Disable Times**

**Application Information**

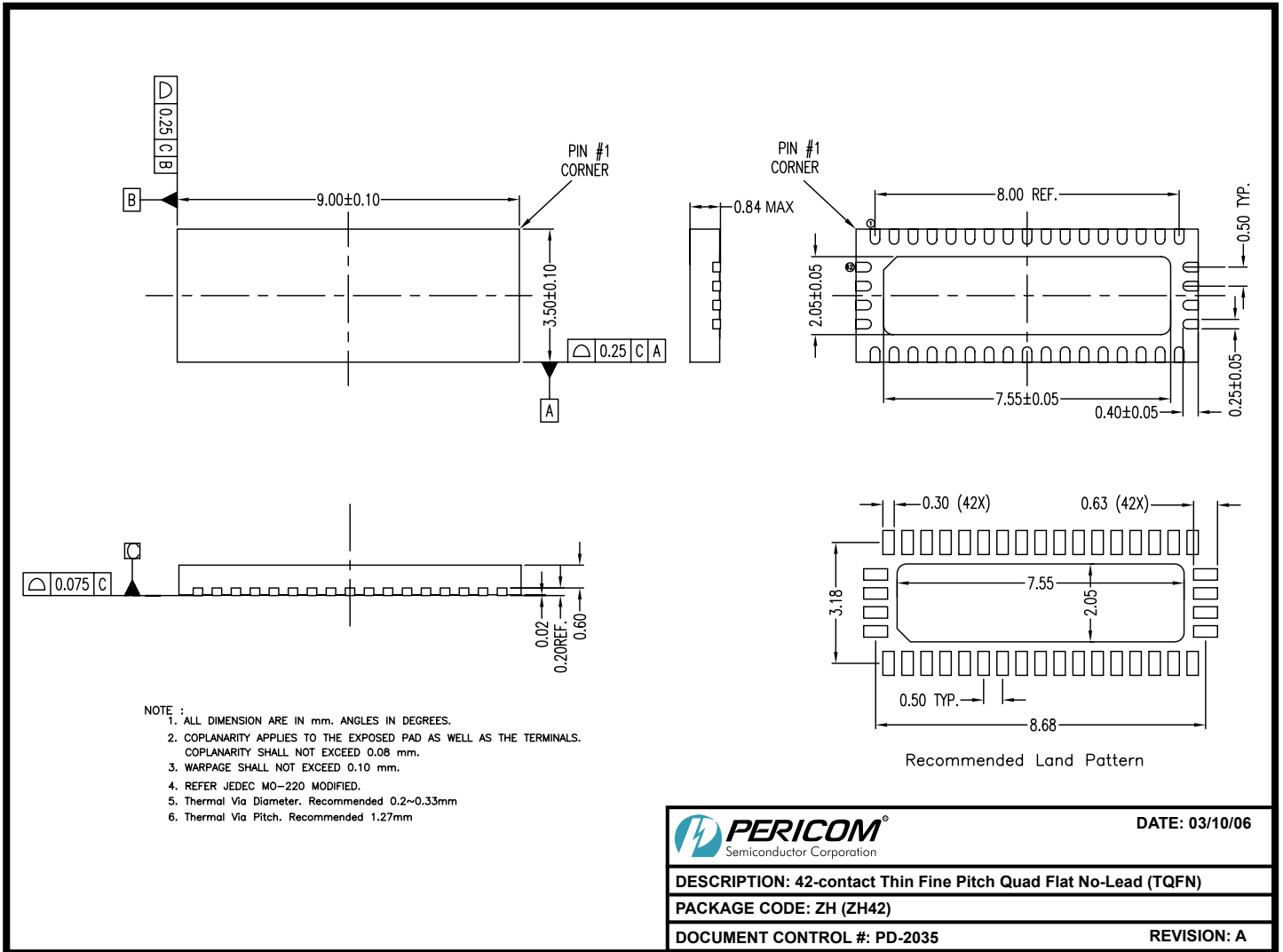


**Example of a circuit that needs to be connected to the SEL pin**

**Eye Diagram Measurements**

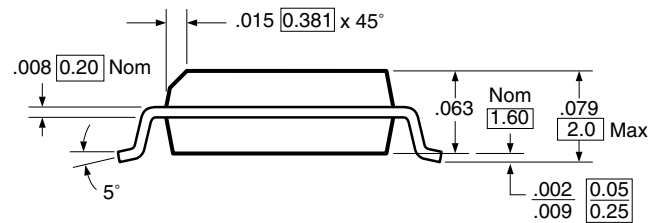
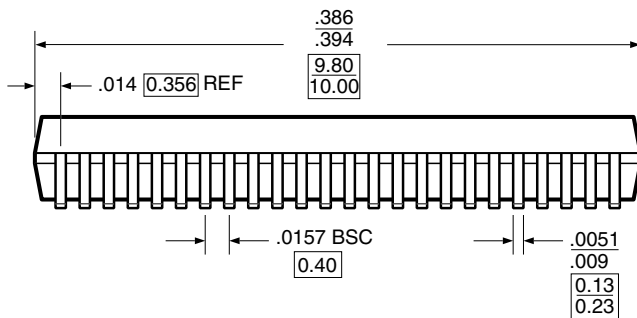
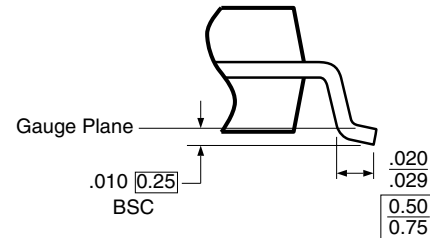
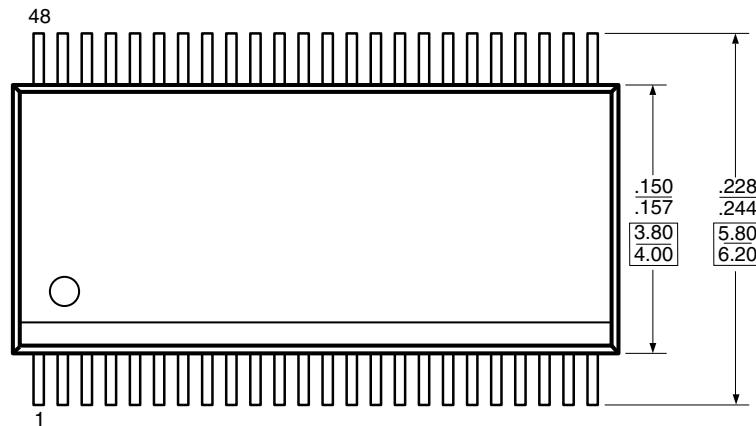


**TP3(Rx) Test Setup**



DOCUMENT CONTROL NO.  
PD - 1210

REVISION: E  
DATE: 03/09/05



X.XX DENOTES DIMENSIONS  
X.XX IN MILLIMETERS

**Notes:**

1. Maximum package length and width dimensions do not include mold flash, protrusions, or gate burrs, which shall not exceed 0.006 inch per side.
2. Controlling dimensions in millimeters.
3. Ref: JEDEC MO - 154C/AB
4. Package Outline Exclusive of Mold Flash and Metal Burr



Pericom Semiconductor Corporation  
3545 N. 1st Street, San Jose, CA 95134  
1-800-435-2335 • www.pericom.com

DESCRIPTION: 48-Pin, 154-Mil Wide BQSOP

PACKAGE CODE: B

**Ordering Information**



Ordering Code	Package Code	Package Description
PI3HDMI412FTZHE	ZH	Pb-free & Green, 42-pin TQFN
PI3HDMI412FTBE	B	Pb-free & Green, 48-pin BQSOP

**Notes:**

- Thermal characteristics can be found on the company web site at [www.pericom.com/packaging/](http://www.pericom.com/packaging/)
- E = Pb-free and Green
- Adding an X suffix = Tape and Reel

## Looking for pricing, stock, or lifecycle information?

Click below to explore more details on WIN SOURCE:

-  [View PI3HDMI412FTBE on WIN SOURCE](#)
-  [Diodes Incorporated Information](#)

## Optimize Your Supply Chain with WIN SOURCE Solutions

-  Global Sourcing Solution
-  Obsolete Management
-  Cost Control Management
-  Shortage Management
-  Alternative Solution
-  Excess Inventory Management