



**THE DATASHEET OF  
EL2142CSZ-T7**



### Differential Line Receiver

The EL2142 is a very high bandwidth amplifier designed to extract the difference signal from noisy environments, and is thus primarily targeted for applications such as receiving signals from twisted pair lines, or any application where common mode noise injection is likely to occur.

The EL2142 is stable for a gain of one, and requires two external resistors to set the voltage gain.

The output common mode level is set by the reference pin ( $V_{REF}$ ), which has a -3dB bandwidth of over 100MHz. Generally, this pin is grounded, but it can be tied to any voltage reference.

The output can deliver a minimum of  $\pm 50\text{mA}$  and is short circuit protected to withstand a temporary overload condition.

### Ordering Information

PART NUMBER	PACKAGE	TAPE & REEL	PKG. DWG. #
EL2142CS	8-pin SOIC	-	MDP0027
EL2142CS-T7	8-pin SOIC	7"	MDP0027
EL2142CS-T13	8-pin SOIC	13"	MDP0027
EL2142CSZ (See Note)	8-pin SOIC (Pb-free)	-	MDP0027
EL2142CSZ-T7 (See Note)	8-pin SOIC (Pb-free)	7"	MDP0027
EL2142CSZ-T13 (See Note)	8-pin SOIC (Pb-free)	13"	MDP0027

NOTE: Intersil Pb-free products employ special Pb-free material sets; molding compounds/die attach materials and 100% matte tin plate termination finish, which are RoHS compliant and compatible with both SnPb and Pb-free soldering operations. Intersil Pb-free products are MSL classified at Pb-free peak reflow temperatures that meet or exceed the Pb-free requirements of IPC/JEDEC J STD-020.

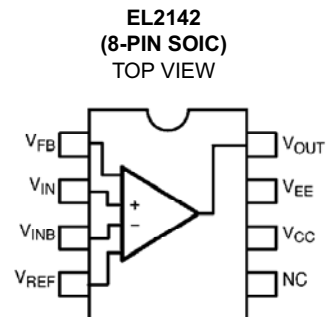
### Features

- Differential input range  $\pm 2.3\text{V}$
- 150MHz 3dB bandwidth
- 400V/ $\mu\text{s}$  slewrate
- $\pm 5\text{V}$  supplies or single supply
- 50mA minimum output current
- Output swing (100 $\Omega$  load) to within 1.5V of supplies
- Low power-11mA typical supply current
- Pb-free available (RoHS compliant)

### Applications

- Twisted pair receiver
- Differential line receiver
- VGA over twisted pair
- ADSL/HDSL receiver
- Differential to single ended amplification.
- Reception of analog signals in a noisy environment.

### Pinout



**Absolute Maximum Ratings** ( $T_A = 25^\circ\text{C}$ )

Supply Voltage ( $V_{CC}-V_{EE}$ ) . . . . .	12.6V	Operating Junction Temperature . . . . .	+150°C
Maximum Output Current . . . . .	±60mA	Recommended Operating Temperature . . . . .	-40°C to 85°C
Storage Temperature Range . . . . .	-65°C to +150°C		

*CAUTION: Stresses above those listed in "Absolute Maximum Ratings" may cause permanent damage to the device. This is a stress only rating and operation of the device at these or any other conditions above those indicated in the operational sections of this specification is not implied.*

*IMPORTANT NOTE: All parameters having Min/Max specifications are guaranteed. Typical values are for information purposes only. Unless otherwise noted, all tests are at the specified temperature and are pulsed tests, therefore:  $T_J = T_C = T_A$*

**DC Electrical Specifications**  $V_{CC} = +5V, V_{EE} = -5V, T_{EE} = 25^\circ\text{C}, V_{IN} = 0V, R_L = 100$ , unless otherwise specified

PARAMETER	DESCRIPTION	MIN	TYP	MAX	UNITS
$V_{SUPPLY}$	Supply Operating Range ( $V_{CC}-V_{EE}$ )	±3.0	±5.0	±6.3	V
$I_S$	Power Supply Current (no load)		11	14	mA
$V_{OS}$	Input Referred Offset Voltage	-25	10	40	mV
$I_{IN}$	Input Bias Current ( $V_{IN}, V_{INB}, V_{REF}$ )	-20	6	20	µA
$Z_{IN}$	Differential Input Resistance		400		kΩ
$C_{IN}$	Differential Input Capacitance		1		pF
$V_{DIFF}$	Differential Input Range	±2.0	±2.3		V
$A_{VOL}$	Open Loop Voltage Gain		75		dB
$V_{IN}$	Input Common Mode Voltage Range	-2.6		+4.0	V
$V_{OUT}$	Output Voltage Swing (50Ω load to GND)	±2.9	±3.1		V
$I_{OUT(min)}$	Minimum Output Current	50	60		mA
$V_N$	Input Referred Voltage Noise		36		nV/√Hz
$V_{REF}$	Output Voltage Control Range	-2.5		+3.3	V
PSRR	Power Supply Rejection Ratio	60	70		dB
CMRR2	Input Common Mode Rejection Ratio ( $V_{IN} = \pm 2V$ )	60	70		dB
CMRR1	Input Common Mode Rejection Ratio (full $V_{IN}$ range)	50	60		dB

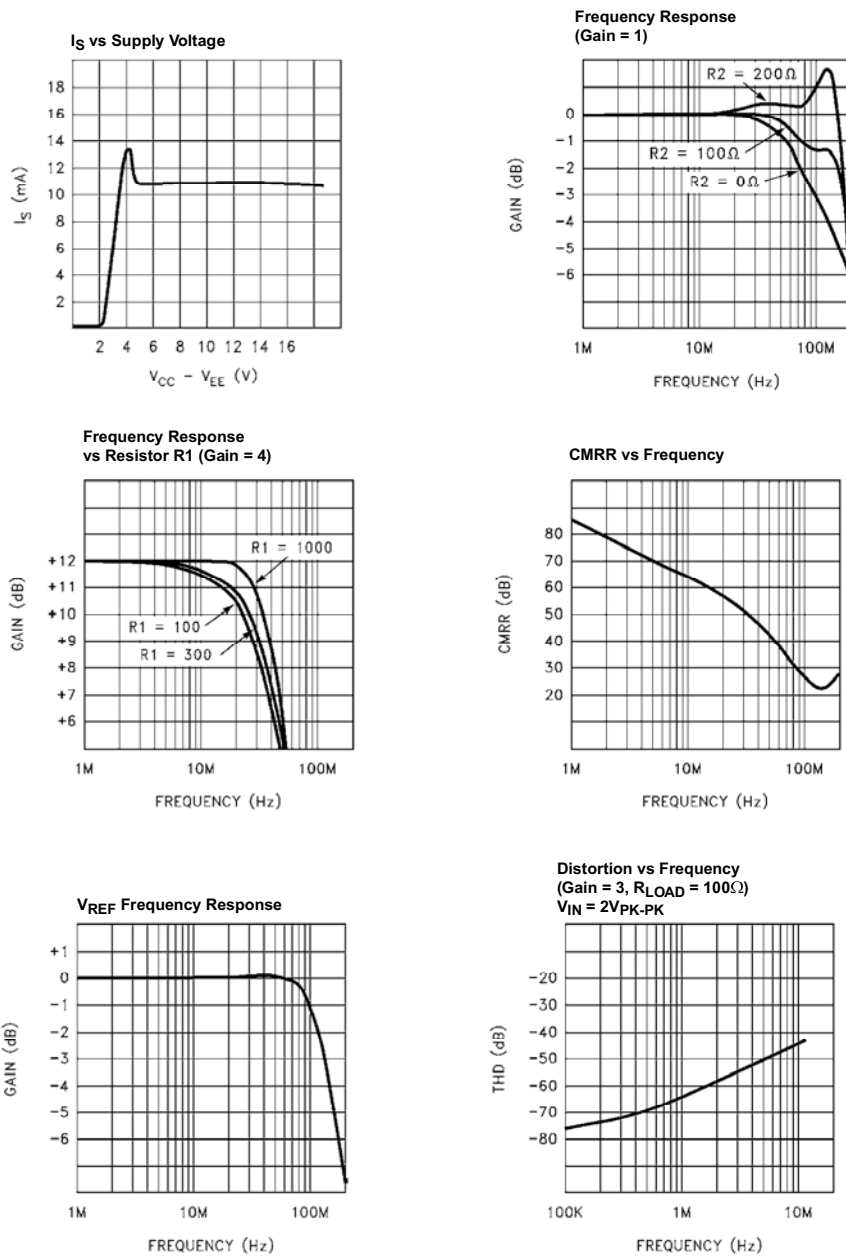
**AC Electrical Specifications**  $V_{CC} = +5V, V_{EE} = -5V, T_A = 25^\circ\text{C}, V_{IN} = 0V, R_{LOAD} = 100$ , unless otherwise specified

PARAMETER	DESCRIPTION	MIN	TYP	MAX	UNITS
BW(-3dB)	-3dB Bandwidth (Gain =1)		150		MHz
SR	Slewrate		400		V/µs
$T_{STL}$	Settling time to 1%		15		ns
GBWP	Gain bandwidth product		200		MHz
$V_{REFBW}(-3dB)$	$V_{REF}$ -3dB Bandwidth		130		MHz
$V_{REFSR}$	$V_{REF}$ Slewrate		100		V/µsec
dG	Differential gain at 3.58MHz		0.2		%
dθ	Differential phase at 3.58MHz		0.2		°

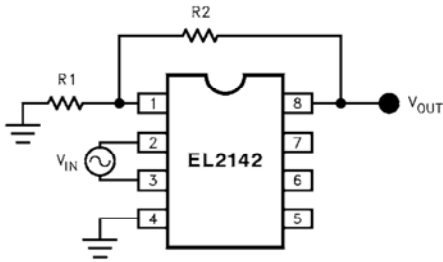
**Pin Descriptions**

PIN NUMBER	PIN NAME	FUNCTION
1	V <sub>FB</sub>	Feedback input
2	V <sub>IN</sub>	Non-inverting input
3	V <sub>INB</sub>	Inverting input
4	V <sub>REF</sub>	Sets output voltage level to V <sub>REF</sub> when V <sub>IN</sub> =V <sub>INB</sub>
5	NC	
6	V <sub>CC</sub>	Positive supply voltage
7	V <sub>EE</sub>	Negative supply voltage
8	V <sub>OUT</sub>	Output voltage

**Typical Performance Curves**



**Applications Information**



**Gain Equation**

$V_{OUT} = ((R2+R1)/R1) \times (V_{IN}-V_{INB}+V_{REF})$  when R1 tied to GND

$V_{OUT} = ((R2+R1)/R1) \times (V_{IN}-V_{INB})$  when R1 tied to  $V_{REF}$

**Choice of Feedback Resistor**

For a gain of one,  $V_{OUT}$  may be shorted back to  $V_{FB}$ , but 100Ω-200Ω improves the bandwidth. For gains greater than

one, there is little to be gained from choosing resistor R1 value below 200Ω, for it would only result in increased power dissipation and potential signal distortion. Above 200Ω, the bandwidth response will develop some peaking (for a gain of one), but substantially higher R1 values may be used for higher voltage gains, such as up to 1kΩ at a gain of four before peaking will develop.

**Capacitance Considerations**

As with many high bandwidth amplifiers, the EL2142 prefers not to drive highly capacitive loads. It is best if the capacitance on  $V_{OUT}$  is kept below 10pF if the user does not want gain peaking to develop. The  $V_{FB}$  node forms a potential pole in the feedback loop, so capacitance should be minimized on this node for maximum bandwidth.

The amount of capacitance tolerated on any of these nodes in an actual application will also be dependent on the gain setting and the resistor values in the feedback network.

**Typical Applications Circuits**

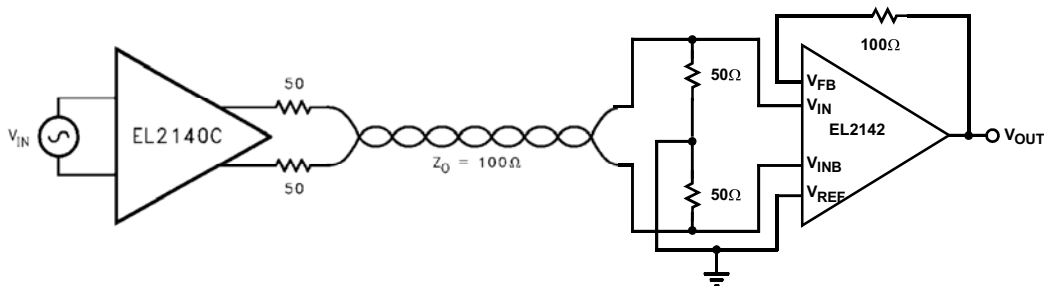


FIGURE 1. TYPICAL TWISTED PAIR APPLICATION

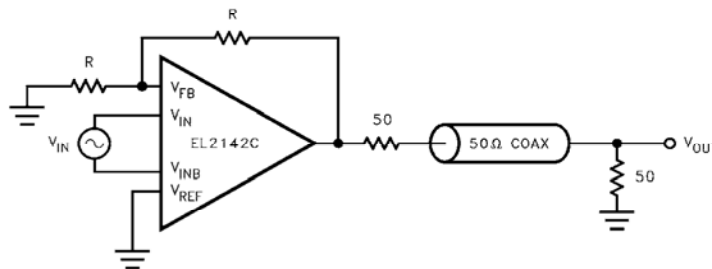


FIGURE 2. COAXIAL CABLE DRIVER PAIR APPLICATION

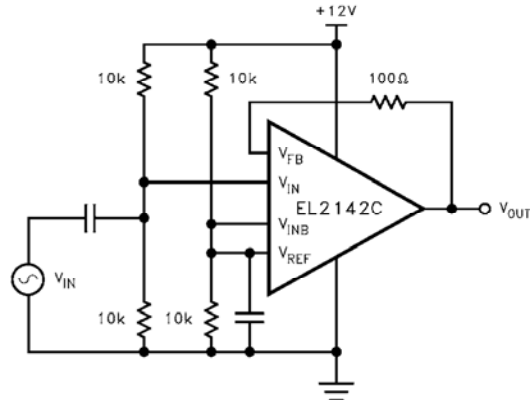


FIGURE 3. SINGLE SUPPLY RECEIVER

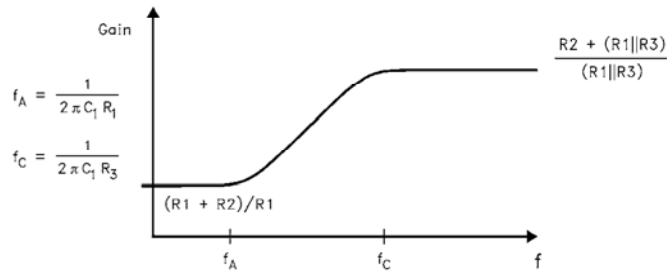
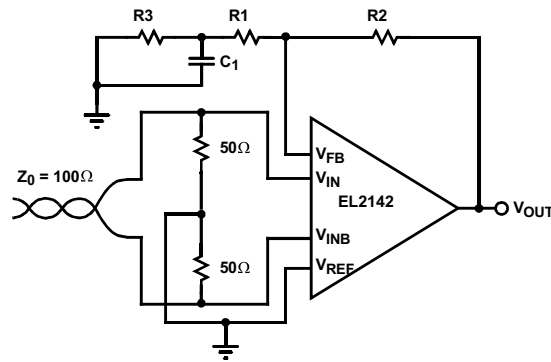


FIGURE 4. COMPENSATED LINE RECEIVER

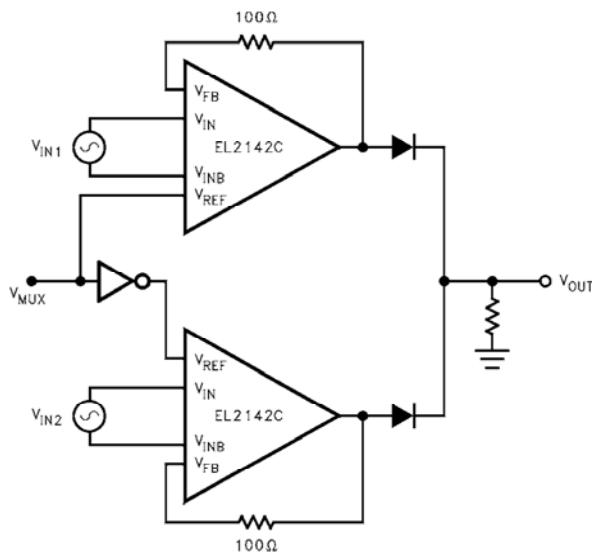


FIGURE 5. TWO CHANNEL MULTIPLEXER



## Looking for pricing, stock, or lifecycle information?

Click below to explore more details on WIN SOURCE:

-  [View EL2142CSZ-T7 on WIN SOURCE](#)
-  [Renesas Electronics America](#) Information

## Optimize Your Supply Chain with WIN SOURCE Solutions

-  Global Sourcing Solution
-  Obsolete Management
-  Cost Control Management
-  Shortage Management
-  Alternative Solution
-  Excess Inventory Management