



# THE DATASHEET OF TMP05ARTZ-REEL7



## FEATURES

- Modulated serial digital output, proportional to temperature**
- ±0.5°C typical accuracy at 25°C**
- ±1.0°C accuracy from 0°C to 70°C**
- Two grades available**
- Operation from -40°C to +150°C**
- Operation from 3 V to 5.5 V**
- Power consumption 70 μW maximum at 3.3 V**
- CMOS-/TTL-compatible output on TMP05**
- Flexible open-drain output on TMP06**
- Small, low cost, 5-lead SC-70 and SOT-23 packages**

## APPLICATIONS

- Isolated sensors**
- Environmental control systems**
- Computer thermal monitoring**
- Thermal protection**
- Industrial process control**
- Power-system monitors**

## GENERAL DESCRIPTION

The TMP05/TMP06 are monolithic temperature sensors that generate a modulated serial digital output (PWM), which varies in direct proportion to the temperature of the devices. The high period ( $T_H$ ) of the PWM remains static over all temperatures, while the low period ( $T_L$ ) varies. The B Grade version offers a high temperature accuracy of ±1°C from 0°C to 70°C with excellent transducer linearity. The digital output of the TMP05/TMP06 is CMOS-/TTL-compatible and is easily interfaced to the serial inputs of most popular microprocessors. The flexible open-drain output of the TMP06 is capable of sinking 5 mA.

The TMP05/TMP06 are specified for operation at supply voltages from 3 V to 5.5 V. Operating at 3.3 V, the supply current is typically 370 μA. The TMP05/TMP06 are rated for operation over the -40°C to +150°C temperature range. It is not recommended to operate these devices at temperatures above 125°C for more than a total of 5% (5,000 hours) of the lifetime of the devices. They are packaged in low cost, low area SC-70 and SOT-23 packages.

The TMP05/TMP06 have three modes of operation: continuously converting mode, daisy-chain mode, and one shot mode. A three-state FUNC input determines the mode in which the TMP05/TMP06 operate.

### Rev. C

Information furnished by Analog Devices is believed to be accurate and reliable. However, no responsibility is assumed by Analog Devices for its use, nor for any infringements of patents or other rights of third parties that may result from its use. Specifications subject to change without notice. No license is granted by implication or otherwise under any patent or patent rights of Analog Devices. Trademarks and registered trademarks are the property of their respective owners.

## FUNCTIONAL BLOCK DIAGRAM

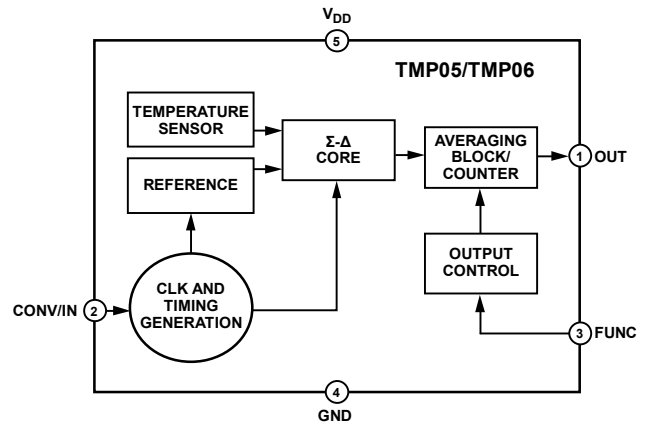


Figure 1.

03340-001

The CONV/IN input pin is used to determine the rate at which the TMP05/TMP06 measure temperature in continuously converting mode and one shot mode. In daisy-chain mode, the CONV/IN pin operates as the input to the daisy chain.

## PRODUCT HIGHLIGHTS

1. The TMP05/TMP06 have an on-chip temperature sensor that allows an accurate measurement of the ambient temperature. The measurable temperature range is -40°C to +150°C.
2. Supply voltage is 3 V to 5.5 V.
3. Space-saving 5-lead SOT-23 and SC-70 packages.
4. Temperature accuracy is typically ±0.5°C. Each part needs a decoupling capacitor to achieve this accuracy.
5. Temperature resolution of 0.025°C.
6. The TMP05/TMP06 feature a one shot mode that reduces the average power consumption to 102 μW at 1 SPS.

**TABLE OF CONTENTS**

Features .....	1	Converter Details .....	13
Applications.....	1	Functional Description.....	13
Functional Block Diagram .....	1	Operating Modes.....	13
General Description .....	1	TMP05 Output .....	16
Product Highlights .....	1	TMP06 Output .....	16
Revision History .....	2	Application Hints .....	17
Specifications.....	3	Thermal Response Time .....	17
TMP05A/TMP06A Specifications .....	3	Self-Heating Effects.....	17
TMP05B/TMP06B Specifications .....	5	Supply Decoupling .....	17
Timing Characteristics .....	7	Layout Considerations.....	18
Absolute Maximum Ratings.....	8	Temperature Monitoring.....	18
ESD Caution.....	8	Daisy-Chain Application.....	18
Pin Configuration and Function Descriptions.....	9	Continuously Converting Application .....	24
Typical Performance Characteristics .....	10	Outline Dimensions .....	26
Theory of Operation .....	13	Ordering Guide .....	26
Circuit Information.....	13		

**REVISION HISTORY**

**8/12—Rev. B to Rev. C**

Changes to Table 1.....	3
Changes to Table 2.....	5
Changes to Table 3.....	7
Changes to Figure 6, Figure 7, and Figure 8.....	10
Changes to Figure 15.....	11
Changes to Functional Description Section .....	13
Changes to Table 7 and Table 8.....	14
Changes to Table 9 and Daisy-Chain Mode Section.....	15
Updated Outline Dimensions .....	26

**4/06—Rev. A to Rev. B**

Changes to Table 1.....	3
Changes to Table 2.....	5
Changes to Table 8.....	14
Changes to Table 9.....	15

**10/05—Rev. 0 to Rev. A**

Changes to Specifications Table .....	3
Changes to Absolute Maximum Ratings.....	8
Changes to Figure 4.....	8
Changes to Figure 7.....	10
Changes to Figure 15.....	11
Deleted Figure 18.....	12
Changes to One Shot Mode Section .....	14
Changes to Figure 20.....	14
Changes to Daisy-Chain Mode Section.....	15
Changes to Figure 23.....	15
Changes to Equation 5 and Equation 7 .....	17
Added Layout Considerations Section.....	18
Updated Outline Dimensions.....	26
Changes to Ordering Guide .....	26

**8/04—Revision 0: Initial Version**

## SPECIFICATIONS

## TMP05A/TMP06A SPECIFICATIONS

All A grade specifications apply for  $-40^{\circ}\text{C}$  to  $+150^{\circ}\text{C}$ ,  $V_{\text{DD}}$  decoupling capacitor is a 0.1  $\mu\text{F}$  multilayer ceramic,  $T_{\text{A}} = T_{\text{MIN}}$  to  $T_{\text{MAX}}$ ,  $V_{\text{DD}} = 3.0\text{ V}$  to  $5.5\text{ V}$ , unless otherwise noted.

Table 1.

Parameter	Min	Typ	Max	Unit	Test Conditions/Comments
<b>TEMPERATURE SENSOR AND ADC</b>					
Nominal Conversion Rate (One Shot Mode)					See Table 7
Accuracy @ $V_{\text{DD}} = 3.0\text{ V}$ to $5.5\text{ V}$			$\pm 2$	$^{\circ}\text{C}$	$T_{\text{A}} = 0^{\circ}\text{C}$ to $70^{\circ}\text{C}$ , $V_{\text{DD}} = 3.0\text{ V}$ to $5.5\text{ V}$
			$\pm 3$	$^{\circ}\text{C}$	$T_{\text{A}} = -40^{\circ}\text{C}$ to $+100^{\circ}\text{C}$ , $V_{\text{DD}} = 3.0\text{ V}$ to $5.5\text{ V}$
			$\pm 4$	$^{\circ}\text{C}$	$T_{\text{A}} = -40^{\circ}\text{C}$ to $+125^{\circ}\text{C}$ , $V_{\text{DD}} = 3.0\text{ V}$ to $5.5\text{ V}$
			$\pm 5^1$	$^{\circ}\text{C}$	$T_{\text{A}} = -40^{\circ}\text{C}$ to $+150^{\circ}\text{C}$ , $V_{\text{DD}} = 3.0\text{ V}$ to $5.5\text{ V}$
Temperature Resolution		0.025		$^{\circ}\text{C}/5\ \mu\text{s}$	Step size for every 5 $\mu\text{s}$ on $T_{\text{L}}$
$T_{\text{H}}$ Pulse Width		34		ms	$T_{\text{A}} = 25^{\circ}\text{C}$ , nominal conversion rate
$T_{\text{L}}$ Pulse Width		65		ms	$T_{\text{A}} = 25^{\circ}\text{C}$ , nominal conversion rate
Quarter Period Conversion Rate (All Operating Modes)					See Table 7
Accuracy					
@ $V_{\text{DD}} = 3.3\text{ V}$ ( $3.0\text{ V}$ to $3.6\text{ V}$ )			$\pm 1.5$	$^{\circ}\text{C}$	$T_{\text{A}} = -40^{\circ}\text{C}$ to $+150^{\circ}\text{C}$
@ $V_{\text{DD}} = 5\text{ V}$ ( $4.5\text{ V}$ to $5.5\text{ V}$ )			$\pm 1.5$	$^{\circ}\text{C}$	$T_{\text{A}} = -40^{\circ}\text{C}$ to $+150^{\circ}\text{C}$
Temperature Resolution		0.1		$^{\circ}\text{C}/5\ \mu\text{s}$	Step size for every 5 $\mu\text{s}$ on $T_{\text{L}}$
$T_{\text{H}}$ Pulse Width		8.5		ms	$T_{\text{A}} = 25^{\circ}\text{C}$ , QI conversion rate
$T_{\text{L}}$ Pulse Width		16		ms	$T_{\text{A}} = 25^{\circ}\text{C}$ , QP conversion rate
Double High/Quarter Low Conversion Rate (All Operating Modes)					See Table 7
Accuracy					
@ $V_{\text{DD}} = 3.3\text{ V}$ ( $3.0\text{ V}$ to $3.6\text{ V}$ )			$\pm 1.5$	$^{\circ}\text{C}$	$T_{\text{A}} = -40^{\circ}\text{C}$ to $+150^{\circ}\text{C}$
@ $V_{\text{DD}} = 5\text{ V}$ ( $4.5\text{ V}$ to $5.5\text{ V}$ )			$\pm 1.5$	$^{\circ}\text{C}$	$T_{\text{A}} = -40^{\circ}\text{C}$ to $+150^{\circ}\text{C}$
Temperature Resolution		0.1		$^{\circ}\text{C}/5\ \mu\text{s}$	Step size for every 5 $\mu\text{s}$ on $T_{\text{L}}$
$T_{\text{H}}$ Pulse Width		68		ms	$T_{\text{A}} = 25^{\circ}\text{C}$ , DH/QL conversion rate
$T_{\text{L}}$ Pulse Width		16		ms	$T_{\text{A}} = 25^{\circ}\text{C}$ , DH/QL conversion rate
Long-Term Drift		0.081		$^{\circ}\text{C}$	Drift over 10 years, if part is operated at $55^{\circ}\text{C}$
Temperature Hysteresis		0.0023		$^{\circ}\text{C}$	Temperature cycle = $25^{\circ}\text{C}$ to $100^{\circ}\text{C}$ to $25^{\circ}\text{C}$
<b>SUPPLIES</b>					
Supply Voltage	3		5.5	V	
Supply Current					
Normal Mode <sup>2</sup>					
@ $3.3\text{ V}$		370	600	$\mu\text{A}$	Nominal conversion rate
@ $5.0\text{ V}$		425	650	$\mu\text{A}$	Nominal conversion rate
Quiescent <sup>2</sup>					
@ $3.3\text{ V}$		3	12	$\mu\text{A}$	Device not converting, output is high
@ $5.0\text{ V}$		5.5	20	$\mu\text{A}$	Device not converting, output is high
One Shot Mode @ 1 SPS		30.9		$\mu\text{A}$	Average current @ $V_{\text{DD}} = 3.3\text{ V}$ , nominal conversion rate @ $25^{\circ}\text{C}$
		37.38		$\mu\text{A}$	Average current @ $V_{\text{DD}} = 5.0\text{ V}$ , nominal conversion rate @ $25^{\circ}\text{C}$
Power Dissipation		803.33		$\mu\text{W}$	$V_{\text{DD}} = 3.3\text{ V}$ , continuously converting at nominal conversion rates @ $25^{\circ}\text{C}$
1 SPS		101.9		$\mu\text{W}$	Average power dissipated for $V_{\text{DD}} = 3.3\text{ V}$ , one shot mode @ $25^{\circ}\text{C}$
		186.9		$\mu\text{W}$	Average power dissipated for $V_{\text{DD}} = 5.0\text{ V}$ , one shot mode @ $25^{\circ}\text{C}$

Parameter	Min	Typ	Max	Unit	Test Conditions/Comments
<b>TMP05 OUTPUT (PUSH-PULL)<sup>3</sup></b>					
Output High Voltage ( $V_{OH}$ )	$V_{DD} - 0.3$			V	$I_{OH} = 800 \mu A$
Output Low Voltage ( $V_{OL}$ )			0.4	V	$I_{OL} = 800 \mu A$
Output High Current ( $I_{OUT}$ ) <sup>4</sup>	2			mA	Typ $V_{OH} = 3.17 V$ with $V_{DD} = 3.3 V$
Pin Capacitance		10		pF	
Rise Time ( $t_{rH}$ ) <sup>5</sup>		50		ns	
Fall Time ( $t_{fL}$ ) <sup>5</sup>		50		ns	
$R_{ON}$ Resistance (Low Output)		55		$\Omega$	Supply and temperature dependent
<b>TMP06 OUTPUT (OPEN DRAIN)<sup>3</sup></b>					
Output Low Voltage ( $V_{OL}$ )			0.4	V	$I_{OL} = 1.6 mA$
Output Low Voltage ( $V_{OL}$ )			1.2	V	$I_{OL} = 5.0 mA$
Pin Capacitance		10		pF	
High Output Leakage Current ( $I_{OH}$ )		0.1	5	$\mu A$	$PWM_{OUT} = 5.5 V$
Device Turn-On Time		20		ms	
Fall Time ( $t_{fL}$ ) <sup>6</sup>		30		ns	
$R_{ON}$ Resistance (Low Output)		55		$\Omega$	Supply and temperature dependent
<b>DIGITAL INPUTS<sup>3</sup></b>					
Input Current			$\pm 1$	$\mu A$	$V_{IN} = 0 V$ to $V_{DD}$
Input Low Voltage ( $V_{IL}$ )			$0.3 \times V_{DD}$	V	
Input High Voltage ( $V_{IH}$ )	$0.7 \times V_{DD}$			V	
Pin Capacitance	3		10	pF	

<sup>1</sup> It is not recommended to operate the device at temperatures above 125°C for more than a total of 5% (5,000 hours) of the lifetime of the device. Any exposure beyond this limit affects device reliability.

<sup>2</sup> Normal mode current relates to current during  $T_L$ . TMP05/TMP06 are not converting during  $T_H$ , so quiescent current relates to current during  $T_H$ .

<sup>3</sup> Guaranteed by design and characterization, not production tested.

<sup>4</sup> It is advisable to restrict the current being pulled from the TMP05 output because any excess currents going through the die cause self-heating. As a consequence, false temperature readings can occur.

<sup>5</sup> Test load circuit is 100 pF to GND.

<sup>6</sup> Test load circuit is 100 pF to GND, 10 k $\Omega$  to 5.5 V.

**TMP05B/TMP06B SPECIFICATIONS**

All B grade specifications apply for  $-40^{\circ}\text{C}$  to  $+150^{\circ}\text{C}$ ;  $V_{\text{DD}}$  decoupling capacitor is a 0.1  $\mu\text{F}$  multilayer ceramic;  $T_{\text{A}} = T_{\text{MIN}}$  to  $T_{\text{MAX}}$ ,  $V_{\text{DD}} = 3\text{ V}$  to  $5.5\text{ V}$ , unless otherwise noted.

**Table 2.**

Parameter	Min	Typ	Max	Unit	Test Conditions/Comments
<b>TEMPERATURE SENSOR AND ADC</b>					
Nominal Conversion Rate (One Shot Mode)					See Table 7
Accuracy <sup>1</sup>					
@ $V_{\text{DD}} = 3.3\text{ V}$ ( $\pm 5\%$ )		$\pm 0.2$	$\pm 1$	$^{\circ}\text{C}$	$T_{\text{A}} = 0^{\circ}\text{C}$ to $70^{\circ}\text{C}$ , $V_{\text{DD}} = 3.135\text{ V}$ to $3.465\text{ V}$
@ $V_{\text{DD}} = 5\text{ V}$ ( $\pm 10\%$ )		$\pm 0.4$	$-1/+1.5$	$^{\circ}\text{C}$	$T_{\text{A}} = 0^{\circ}\text{C}$ to $70^{\circ}\text{C}$ , $V_{\text{DD}} = 4.5\text{ V}$ to $5.5\text{ V}$
@ $V_{\text{DD}} = 3.3\text{ V}$ ( $\pm 10\%$ ) and $5\text{ V}$ ( $\pm 10\%$ )			$\pm 1.5$	$^{\circ}\text{C}$	$T_{\text{A}} = -40^{\circ}\text{C}$ to $+70^{\circ}\text{C}$ , $V_{\text{DD}} = 3.0\text{ V}$ to $3.6\text{ V}$ , $V_{\text{DD}} = 4.5\text{ V}$ to $5.5\text{ V}$
Temperature Resolution		$0.025$	$\pm 2$	$^{\circ}\text{C}$	$T_{\text{A}} = -40^{\circ}\text{C}$ to $+100^{\circ}\text{C}$ , $V_{\text{DD}} = 3.0\text{ V}$ to $3.6\text{ V}$ , $V_{\text{DD}} = 4.5\text{ V}$ to $5.5\text{ V}$
$T_{\text{H}}$ Pulse Width		$34$	$\pm 2.5$	$^{\circ}\text{C}$	$T_{\text{A}} = -40^{\circ}\text{C}$ to $+125^{\circ}\text{C}$ , $V_{\text{DD}} = 3.0\text{ V}$ to $3.6\text{ V}$ , $V_{\text{DD}} = 4.5\text{ V}$ to $5.5\text{ V}$
$T_{\text{L}}$ Pulse Width		$65$	$\pm 4.5^2$	$^{\circ}\text{C}$	$T_{\text{A}} = -40^{\circ}\text{C}$ to $+150^{\circ}\text{C}$ , $V_{\text{DD}} = 3.0\text{ V}$ to $3.6\text{ V}$ , $V_{\text{DD}} = 4.5\text{ V}$ to $5.5\text{ V}$
Quarter Period Conversion Rate (All Operating Modes)					See Table 7
Accuracy <sup>1</sup>					
@ $V_{\text{DD}} = 3.3\text{ V}$ ( $3.0\text{ V}$ to $3.6\text{ V}$ )		$\pm 1.5$		$^{\circ}\text{C}$	$T_{\text{A}} = -40^{\circ}\text{C}$ to $+150^{\circ}\text{C}$
@ $V_{\text{DD}} = 5.0\text{ V}$ ( $4.5\text{ V}$ to $5.5\text{ V}$ )		$\pm 1.5$		$^{\circ}\text{C}$	$T_{\text{A}} = -40^{\circ}\text{C}$ to $+150^{\circ}\text{C}$
Temperature Resolution		$0.1$		$^{\circ}\text{C}/5\ \mu\text{s}$	Step size for every $5\ \mu\text{s}$ on $T_{\text{L}}$
$T_{\text{H}}$ Pulse Width		$8.5$		ms	$T_{\text{A}} = 25^{\circ}\text{C}$ , QP conversion rate
$T_{\text{L}}$ Pulse Width		$16$		ms	$T_{\text{A}} = 25^{\circ}\text{C}$ , QP conversion rate
Double High/Quarter Low Conversion Rate (All Operating Modes)					See Table 7
Accuracy <sup>1</sup>					
@ $V_{\text{DD}} = 3.3\text{ V}$ ( $3.0\text{ V}$ to $3.6\text{ V}$ )		$\pm 1.5$		$^{\circ}\text{C}$	$T_{\text{A}} = -40^{\circ}\text{C}$ to $+150^{\circ}\text{C}$
@ $V_{\text{DD}} = 5\text{ V}$ ( $4.5\text{ V}$ to $5.5\text{ V}$ )		$\pm 1.5$		$^{\circ}\text{C}$	$T_{\text{A}} = -40^{\circ}\text{C}$ to $+150^{\circ}\text{C}$
Temperature Resolution		$0.1$		$^{\circ}\text{C}/5\ \mu\text{s}$	Step size for every $5\ \mu\text{s}$ on $T_{\text{L}}$
$T_{\text{H}}$ Pulse Width		$68$		ms	$T_{\text{A}} = 25^{\circ}\text{C}$ , DH/QL conversion rate
$T_{\text{L}}$ Pulse Width		$16$		ms	$T_{\text{A}} = 25^{\circ}\text{C}$ , DH/QL conversion rate
Long-Term Drift		$0.081$		$^{\circ}\text{C}$	Drift over 10 years, if part is operated at $55^{\circ}\text{C}$
Temperature Hysteresis		$0.0023$		$^{\circ}\text{C}$	Temperature cycle = $25^{\circ}\text{C}$ to $100^{\circ}\text{C}$ to $25^{\circ}\text{C}$
<b>SUPPLIES</b>					
Supply Voltage	$3$		$5.5$	V	
Supply Current					
Normal Mode <sup>3</sup>					
@ $3.3\text{ V}$		$370$	$600$	$\mu\text{A}$	Nominal conversion rate
@ $5.0\text{ V}$		$425$	$650$	$\mu\text{A}$	Nominal conversion rate
Quiescent <sup>3</sup>					
@ $3.3\text{ V}$		$3$	$12$	$\mu\text{A}$	Device not converting, output is high
@ $5.0\text{ V}$		$5.5$	$20$	$\mu\text{A}$	Device not converting, output is high
One Shot Mode @ 1 SPS		$30.9$		$\mu\text{A}$	Average current @ $V_{\text{DD}} = 3.3\text{ V}$ , nominal conversion rate @ $25^{\circ}\text{C}$
		$37.38$		$\mu\text{A}$	Average current @ $V_{\text{DD}} = 5.0\text{ V}$ , nominal conversion rate @ $25^{\circ}\text{C}$

Parameter	Min	Typ	Max	Unit	Test Conditions/Comments
Power Dissipation		803.33		μW	$V_{DD} = 3.3\text{ V}$ , continuously converting at nominal conversion rates @ 25°C
1 SPS		101.9		μW	Average power dissipated for $V_{DD} = 3.3\text{ V}$ , one shot mode @ 25°C
		186.9		μW	Average power dissipated for $V_{DD} = 5.0\text{ V}$ , one shot mode @ 25°C
<b>TMP05 OUTPUT (PUSH-PULL)<sup>4</sup></b>					
Output High Voltage ( $V_{OH}$ )	$V_{DD} - 0.3$			V	$I_{OH} = 800\ \mu\text{A}$
Output Low Voltage ( $V_{OL}$ )			0.4	V	$I_{OL} = 800\ \mu\text{A}$
Output High Current ( $I_{OUT}$ ) <sup>5</sup>	2			mA	Typical $V_{OH} = 3.17\text{ V}$ with $V_{DD} = 3.3\text{ V}$
Pin Capacitance		10		pF	
Rise Time ( $t_{LH}$ ) <sup>6</sup>		50		ns	
Fall Time ( $t_{HL}$ ) <sup>6</sup>		50		ns	
$R_{ON}$ Resistance (Low Output)		55		Ω	Supply and temperature dependent
<b>TMP06 OUTPUT (OPEN DRAIN)<sup>4</sup></b>					
Output Low Voltage ( $V_{OL}$ )			0.4	V	$I_{OL} = 1.6\text{ mA}$
Output Low Voltage ( $V_{OL}$ )			1.2	V	$I_{OL} = 5.0\text{ mA}$
Pin Capacitance		10		pF	
High Output Leakage Current ( $I_{OH}$ )		0.1	5	μA	$PWM_{OUT} = 5.5\text{ V}$
Device Turn-On Time		20		ms	
Fall Time ( $t_{HL}$ ) <sup>7</sup>		30		ns	
$R_{ON}$ Resistance (Low Output)		55		Ω	Supply and temperature dependent
<b>DIGITAL INPUTS<sup>4</sup></b>					
Input Current			±1	μA	$V_{IN} = 0\text{ V to }V_{DD}$
Input Low Voltage ( $V_{IL}$ )			$0.3 \times V_{DD}$	V	
Input High Voltage ( $V_{IH}$ )	$0.7 \times V_{DD}$			V	
Pin Capacitance	3		10	pF	

<sup>1</sup> The accuracy specifications for 3.0 V to 3.6 V and 4.5 V to 5.5 V supply ranges are specified to 3- $\Sigma$  performance.

<sup>2</sup> It is not recommended to operate the device at temperatures above 125°C for more than a total of 5% (5,000 hours) of the lifetime of the device. Any exposure beyond this limit affects device reliability.

<sup>3</sup> Normal mode current relates to current during  $T_L$ . TMP05/TMP06 are not converting during  $T_H$ , so quiescent current relates to current during  $T_H$ .

<sup>4</sup> Guaranteed by design and characterization, not production tested.

<sup>5</sup> It is advisable to restrict the current being pulled from the TMP05 output because any excess currents going through the die cause self-heating. As a consequence, false temperature readings can occur.

<sup>6</sup> Test load circuit is 100 pF to GND.

<sup>7</sup> Test load circuit is 100 pF to GND, 10 kΩ to 5.5 V.

**TIMING CHARACTERISTICS**

$T_A = T_{MIN}$  to  $T_{MAX}$ ,  $V_{DD} = 3.0\text{ V}$  to  $5.5\text{ V}$ , unless otherwise noted. Guaranteed by design and characterization, not production tested.

**Table 3.**

Parameter	Limit	Unit	Comments
$T_H$	34	ms typ	PWM high time @ 25°C under nominal conversion rate
$T_L$	65	ms typ	PWM low time @ 25°C under nominal conversion rate
$t_3^1$	50	ns typ	TMP05 output rise time
$t_4^1$	50	ns typ	TMP05 output fall time
$t_4^2$	30	ns typ	TMP06 output fall time
$t_5$	25	$\mu\text{s}$ max	Daisy-chain start pulse width

<sup>1</sup> Test load circuit is 100 pF to GND.

<sup>2</sup> Test load circuit is 100 pF to GND, 10 k $\Omega$  to 5.5 V.

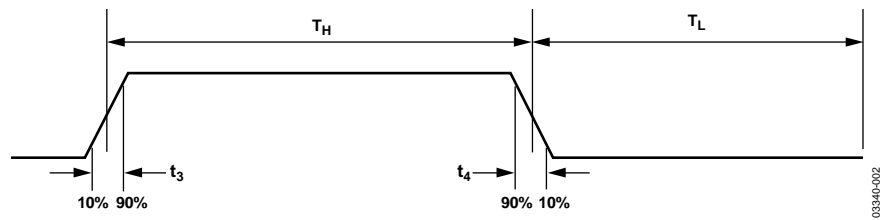


Figure 2. PWM Output Nominal Timing Diagram (25°C)

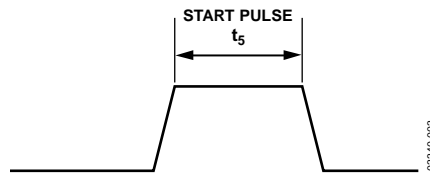


Figure 3. Daisy-Chain Start Timing

## ABSOLUTE MAXIMUM RATINGS

Table 4.

Parameter	Rating
V <sub>DD</sub> to GND	-0.3 V to +7 V
Digital Input Voltage to GND	-0.3 V to V <sub>DD</sub> + 0.3 V
Maximum Output Current (OUT)	±10 mA
Operating Temperature Range <sup>1</sup>	-40°C to +150°C
Storage Temperature Range	-65°C to +160°C
Maximum Junction Temperature, T <sub>J</sub> max	150°C
5-Lead SOT-23 (RJ-5)	
Power Dissipation <sup>2</sup>	$W_{MAX} = (T_J \text{ max} - T_A^3)/\theta_{JA}$
Thermal Impedance <sup>4</sup>	
θ <sub>JAV</sub> Junction-to-Ambient (Still Air)	240°C/W
5-Lead SC-70 (KS-5)	
Power Dissipation <sup>2</sup>	$W_{MAX} = (T_J \text{ max} - T_A^3)/\theta_{JA}$
Thermal Impedance <sup>4</sup>	
θ <sub>JAV</sub> Junction-to-Ambient	534.7°C/W
θ <sub>JC</sub> Junction-to-Case	172.3°C/W
IR Reflow Soldering	
Peak Temperature	220°C (0°C/5°C)
Time at Peak Temperature	10 sec to 20 sec
Ramp-Up Rate	2°C/s to 3°C/s
Ramp-Down Rate	-6°C/s
Time 25°C to Peak Temperature	6 minutes max
IR Reflow Soldering (Pb-Free Package)	
Peak Temperature	260°C (0°C)
Time at Peak Temperature	20 sec to 40 sec
Ramp-Up Rate	3°C/sec max
Ramp-Down Rate	-6°C/sec max
Time 25°C to Peak Temperature	8 minutes max

Stresses above those listed under Absolute Maximum Ratings may cause permanent damage to the device. This is a stress rating only; functional operation of the device at these or any other conditions above those indicated in the operational section of this specification is not implied. Exposure to absolute maximum rating conditions for extended periods may affect device reliability.

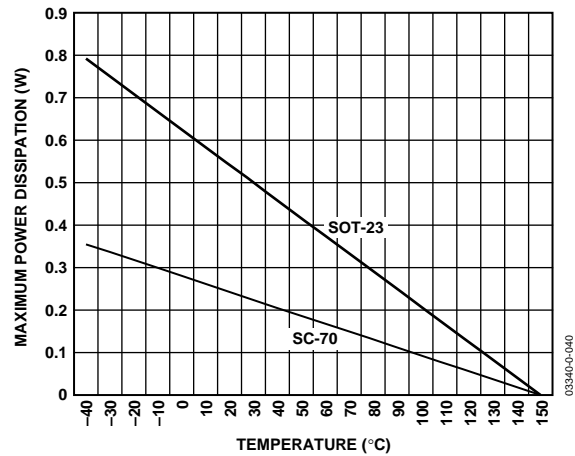


Figure 4. Maximum Power Dissipation vs. Ambient Temperature

<sup>1</sup> It is not recommended to operate the device at temperatures above 125°C for more than a total of 5% (5,000 hours) of the lifetime of the device. Any exposure beyond this limit affects device reliability.

<sup>2</sup> SOT-23 values relate to the package being used on a 2-layer PCB and SC-70 values relate to the package being used on a 4-layer PCB. See Figure 4 for a plot of maximum power dissipation vs. ambient temperature (T<sub>A</sub>).

<sup>3</sup> T<sub>A</sub> = ambient temperature.

<sup>4</sup> Junction-to-case resistance is applicable to components featuring a preferential flow direction, for example, components mounted on a heat sink. Junction-to-ambient resistance is more useful for air-cooled PCB mounted components.

### ESD CAUTION

ESD (electrostatic discharge) sensitive device. Electrostatic charges as high as 4000V readily accumulate on the human body and test equipment and can discharge without detection. Although this product features proprietary ESD protection circuitry, permanent damage may occur on devices subjected to high energy electrostatic discharges. Therefore, proper ESD precautions are recommended to avoid performance degradation or loss of functionality.



## PIN CONFIGURATION AND FUNCTION DESCRIPTIONS

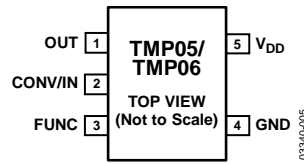


Figure 5. Pin Configuration

Table 5. Pin Function Descriptions

Pin No.	Mnemonic	Description
1	OUT	Digital Output. Pulse-width modulated (PWM) output gives a square wave whose ratio of high-to-low period is proportional to temperature.
2	CONV/IN	Digital Input. In continuously converting and one shot operating modes, a high, low, or float input determines the temperature measurement rate. In daisy-chain operating mode, this pin is the input pin for the PWM signal from the previous part on the daisy chain.
3	FUNC	Digital Input. A high, low, or float input on this pin gives three different modes of operation. For details, see the Operating Modes section.
4	GND	Analog and Digital Ground.
5	V <sub>DD</sub>	Positive Supply Voltage, 3.0 V to 5.5 V. Using a decoupling capacitor of 0.1 $\mu$ F as close as possible to this pin is strongly recommended.

TYPICAL PERFORMANCE CHARACTERISTICS

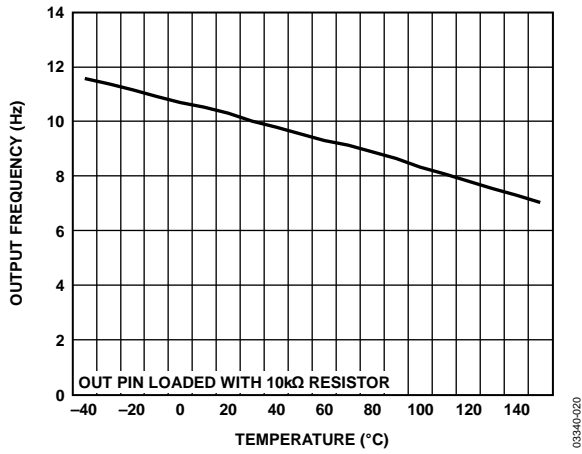


Figure 6. PWM Output Frequency vs. Temperature

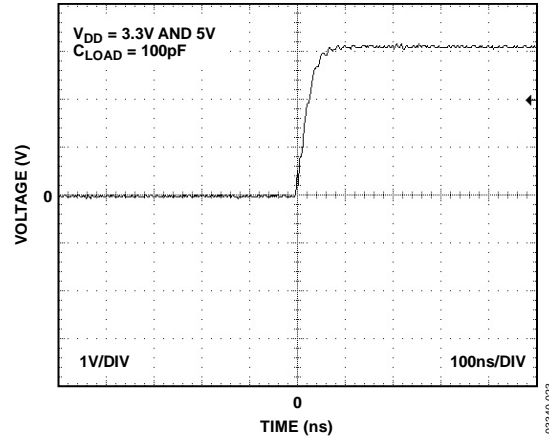


Figure 9. TMP05 Output Rise Time at 25°C

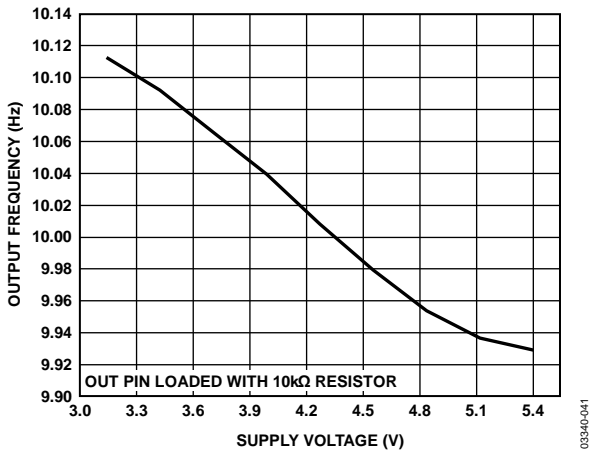


Figure 7. PWM Output Frequency vs. Supply Voltage

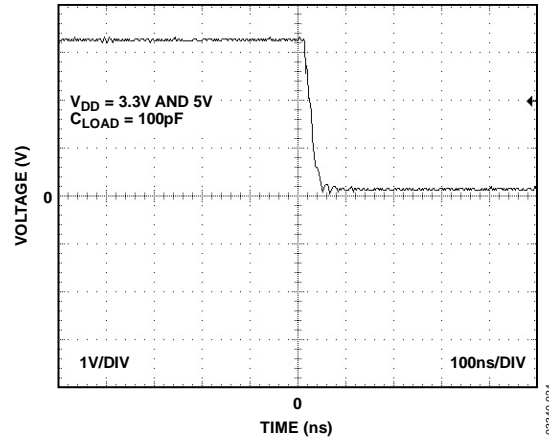


Figure 10. TMP05 Output Fall Time at 25°C

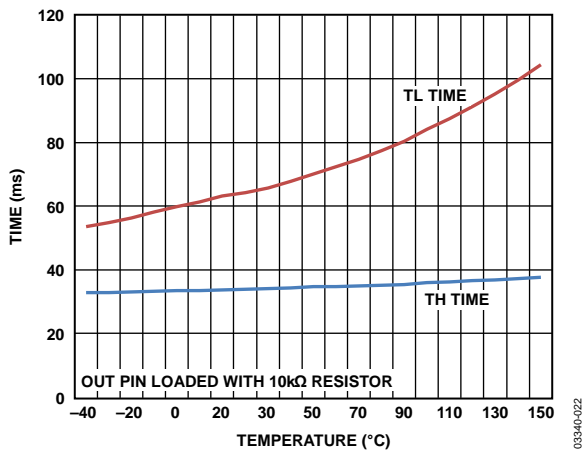


Figure 8.  $T_H$  and  $T_L$  Times vs. Temperature

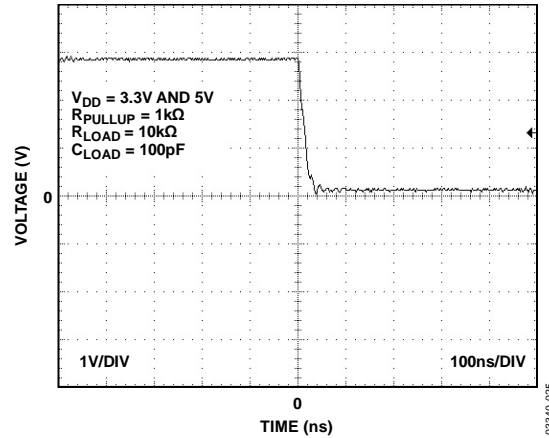


Figure 11. TMP06 Output Fall Time at 25°C

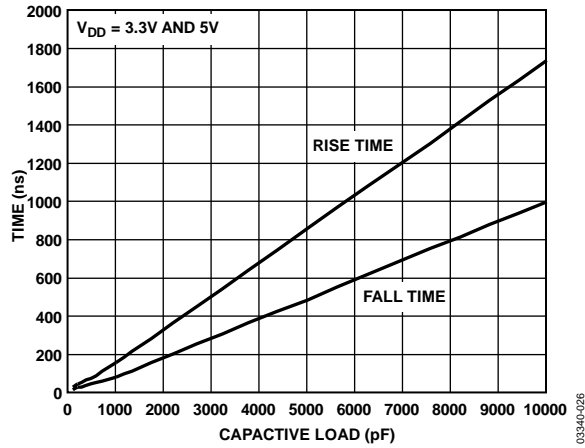


Figure 12. TMP05 Output Rise and Fall Times vs. Capacitive Load

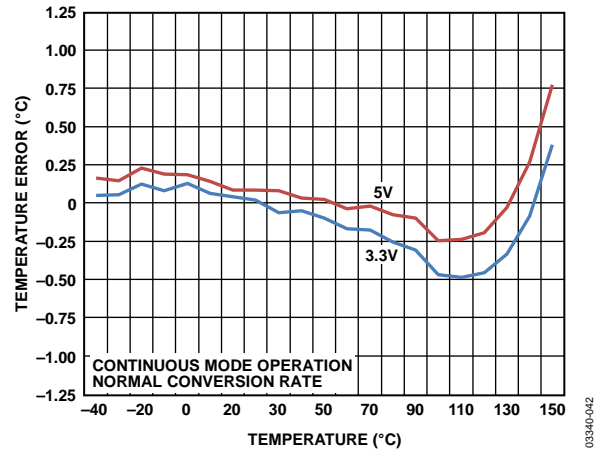


Figure 15. Output Accuracy vs. Temperature

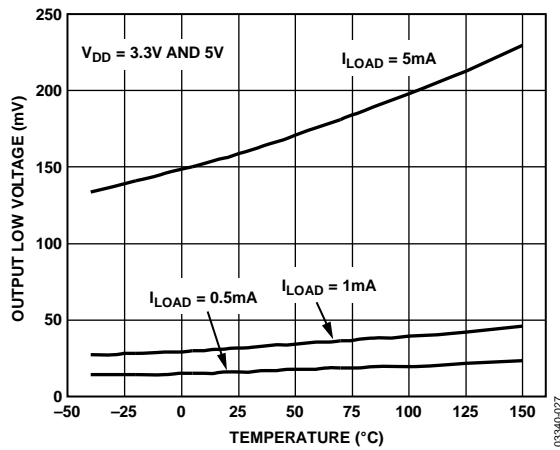


Figure 13. TMP06 Output Low Voltage vs. Temperature

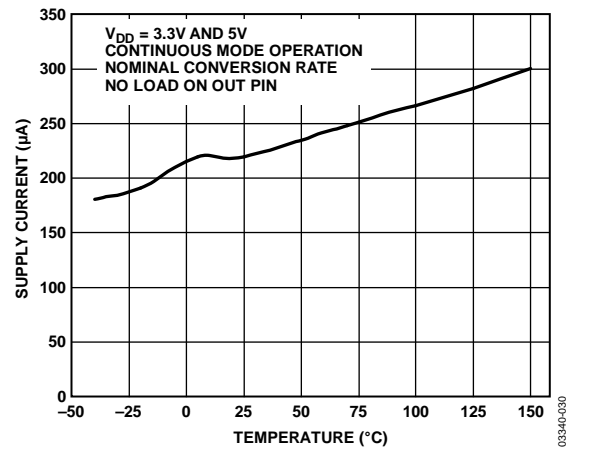


Figure 16. Supply Current vs. Temperature

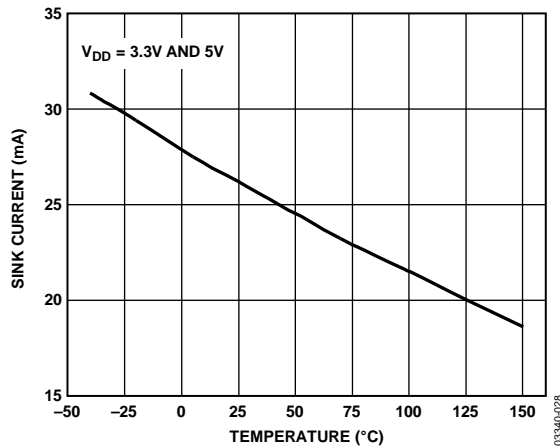


Figure 14. TMP06 Open Drain Sink Current vs. Temperature

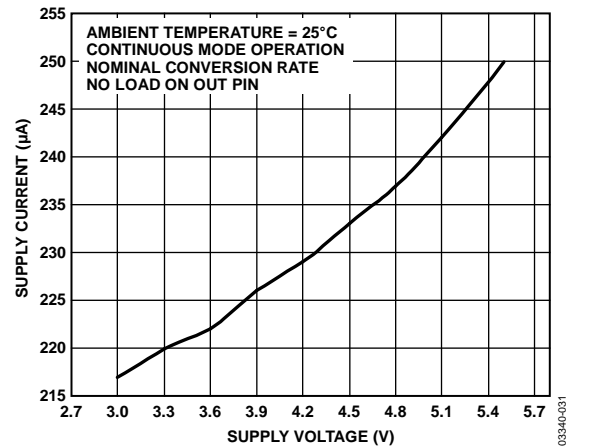


Figure 17. Supply Current vs. Supply Voltage

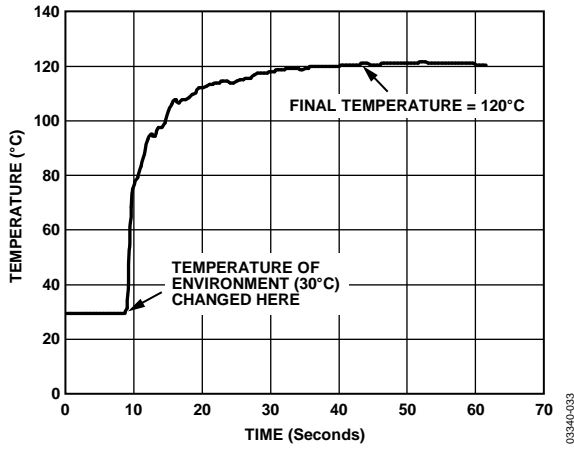


Figure 18. Response to Thermal Shock

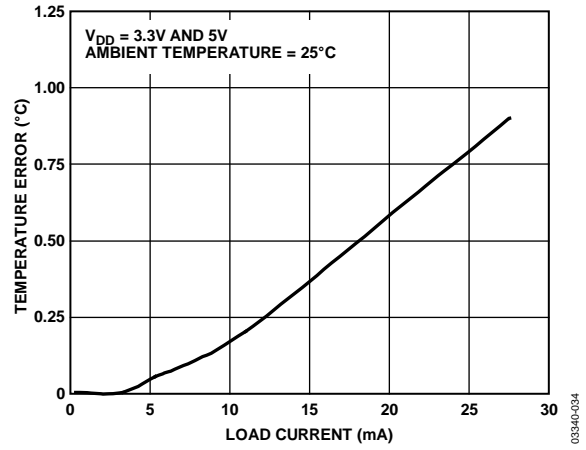


Figure 19. TMP05 Temperature Error vs. Load Current

## THEORY OF OPERATION

### CIRCUIT INFORMATION

The TMP05/TMP06 are monolithic temperature sensors that generate a modulated serial digital output that varies in direct proportion with the temperature of each device. An on-board sensor generates a voltage precisely proportional to absolute temperature, which is compared to an internal voltage reference and is input to a precision digital modulator. The ratiometric encoding format of the serial digital output is independent of the clock drift errors common to most serial modulation techniques such as voltage-to-frequency converters. Overall accuracy for the A grade is  $\pm 2^{\circ}\text{C}$  from  $0^{\circ}\text{C}$  to  $+70^{\circ}\text{C}$  with excellent transducer linearity. B grade accuracy is  $\pm 1^{\circ}\text{C}$  from  $0^{\circ}\text{C}$  to  $70^{\circ}\text{C}$ . The digital output of the TMP05 is CMOS-/TTL-compatible and is easily interfaced to the serial inputs of most popular microprocessors. The open-drain output of the TMP06 is capable of sinking 5 mA.

The on-board temperature sensor has excellent accuracy and linearity over the entire rated temperature range without correction or calibration by the user.

The sensor output is digitized by a first-order  $\Sigma$ - $\Delta$  modulator, also known as the charge balance type analog-to-digital converter. This type of converter utilizes time-domain oversampling and a high accuracy comparator to deliver 12 bits of effective accuracy in an extremely compact circuit.

### CONVERTER DETAILS

The  $\Sigma$ - $\Delta$  modulator consists of an input sampler, a summing network, an integrator, a comparator, and a 1-bit DAC. Similar to the voltage-to-frequency converter, this architecture creates, in effect, a negative feedback loop whose intent is to minimize the integrator output by changing the duty cycle of the comparator output in response to input voltage changes. The comparator samples the output of the integrator at a much higher rate than the input sampling frequency, which is called oversampling. Oversampling spreads the quantization noise over a much wider band than that of the input signal, improving overall noise performance and increasing accuracy.

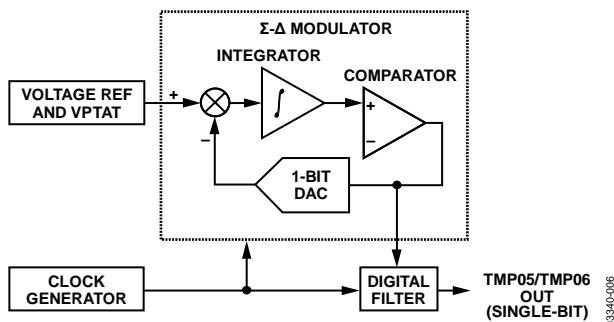


Figure 20. First-Order  $\Sigma$ - $\Delta$  Modulator

The modulated output of the comparator is encoded using a circuit technique that results in a serial digital signal with a mark-space ratio format. This format is easily decoded by any microprocessor into either  $^{\circ}\text{C}$  or  $^{\circ}\text{F}$  values, and is readily transmitted or modulated over a single wire. More importantly, this encoding method neatly avoids major error sources common to other modulation techniques because it is clock-independent.

### FUNCTIONAL DESCRIPTION

The output of the TMP05/TMP06 is a square wave with a typical period of 99 ms at  $25^{\circ}\text{C}$  (CONV/IN pin is left floating). The high period,  $T_H$ , is constant, while the low period,  $T_L$ , varies with measured temperature. The output format for the nominal conversion rate is readily decoded by the user as follows:

$$\text{Temperature } (^{\circ}\text{C}) = 421 - (751 \times (T_H/T_L)) \quad (1)$$

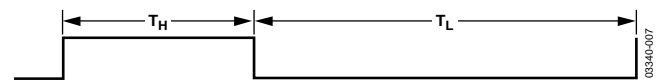


Figure 21. TMP05/TMP06 Output Format

The time periods  $T_H$  (high period) and  $T_L$  (low period) are values easily read by a microprocessor timer/counter port, with the above calculations performed in software. Because both periods are obtained consecutively using the same clock, performing the division indicated in Equation 1 results in a ratiometric value independent of the exact frequency or drift of the TMP05/TMP06 originating clock or the user's counting clock.

### OPERATING MODES

The user can program the TMP05/TMP06 to operate in three different modes by configuring the FUNC pin on power-up as either low, floating, or high.

Table 6. Operating Modes

FUNC Pin	Operating Mode
Low	One shot
Floating	Continuously converting
High	Daisy-chain

#### Continuously Converting Mode

In continuously converting mode, the TMP05/TMP06 continuously output a square wave representing temperature. The frequency at which this square wave is output is determined by the state of the CONV/IN pin on power-up. Any change to the state of the CONV/IN pin after power-up is not reflected in the parts until the TMP05/TMP06 are powered down and back up.

**One Shot Mode**

In one shot mode, the TMP05/TMP06 output one square wave representing temperature when requested by the microcontroller. The microcontroller pulls the OUT pin low and then releases it to indicate to the TMP05/TMP06 that an output is required. The time between the OUT pin going low to the time it is released should be greater than 20 ns. Internal hysteresis in the OUT pin prevents the TMP05/TMP06 from recognizing that the pulse is going low (if it is less than 20 ns). The temperature measurement is output when the OUT line is released by the microcontroller (see Figure 22).

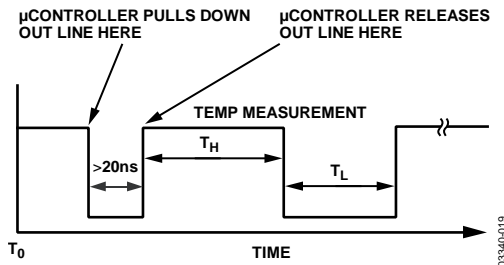


Figure 22. TMP05/TMP06 One Shot OUT Pin Signal

In the TMP05 one shot mode only, an internal resistor is switched in series with the pull-up MOSFET. The TMP05 OUT pin has a push-pull output configuration (see Figure 23). Therefore, it needs a series resistor to limit the current drawn on this pin when the user pulls it low to start a temperature conversion. This series resistance prevents any short circuit from V<sub>DD</sub> to GND, and, as a result, protects the TMP05 from short-circuit damage.

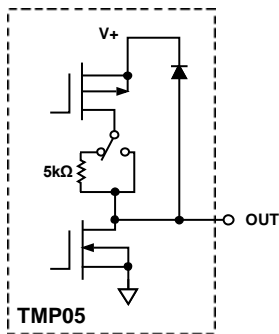


Figure 23. TMP05 One Shot Mode OUT Pin Configuration

The advantages of the one shot mode include lower average power consumption, and the microcontroller knowing that the first low-to-high transition occurs after the microcontroller releases the OUT pin.

**Conversion Rate**

In continuously converting and one shot modes, the state of the CONV/IN pin on power-up determines the rate at which the TMP05/TMP06 measure temperature. The available conversion rates are shown in Table 7.

Table 7. Conversion Rates

CONV/IN Pin	Conversion Rate	T <sub>H</sub> /T <sub>L</sub> (25°C)
Low	Quarter period (T <sub>H</sub> /4, T <sub>L</sub> /4)	8.5/16 (ms)
Floating	Nominal	34/65 (ms)
High	Double high (T <sub>H</sub> × 2) Quarter low (T <sub>L</sub> /4)	68/16 (ms)

The TMP05 (push-pull output) advantage when using the high state conversion rate (double high/quarter low) is lower power consumption. However, the trade-off is loss of resolution on the low time. Depending on the state of the CONV/IN pin, two different temperature equations must be used.

The temperature equation for the low and floating states' conversion rates is

$$\text{Temperature (}^\circ\text{C)} = 421 - (751 \times (T_H/T_L)) \quad (2)$$

Table 8. Conversion Times Using Equation 2

Temperature (°C)	T <sub>L</sub> (ms)	Cycle Time (ms)
-40	53.6	86.5
-30	54.9	87.9
-20	56.4	89.5
-10	58.2	91.6
0	60	93.6
10	61.4	95
20	63.3	97.1
25	64.3	98.2
30	65.6	99.8
40	67.8	102.2
50	70.1	104.7
60	72.5	107.4
70	74.7	109.6
80	77.4	112.6
90	80.4	115.9
100	84.1	120.1
110	87.5	123.8
120	91.2	127.8
130	95.3	132.3
140	99.6	136.9
150	104.5	142.1

The temperature equation for the high state conversion rate is

$$\text{Temperature } (^{\circ}\text{C}) = 421 - (93.875 \times (T_H/T_L)) \quad (3)$$

**Table 9. Conversion Times Using Equation 3**

Temperature (°C)	T <sub>L</sub> (ms)	Cycle Time (ms)
-40	13.4	79.1
-30	13.7	79.6
-20	14.1	80.3
-10	14.6	81.4
0	15	82.2
10	15.3	82.5
20	16	83.6
25	16.1	83.9
30	16.4	84.7
40	16.9	85.7
50	17.5	86.8
60	18.1	87.8
70	18.7	88.5
80	19.3	89.7
90	20.1	91
100	21	93
110	21.9	94.5
120	22.8	96
130	23.8	97.8
140	24.9	99.4
150	26.1	101.4

**Daisy-Chain Mode**

Setting the FUNC pin to a high state allows multiple TMP05/TMP06s to be connected together and, therefore, allows one input line of the microcontroller to be the sole receiver of all temperature measurements. In this mode, the CONV/IN pin operates as the input of the daisy chain. In addition, conversions take place at the nominal conversion rate of T<sub>H</sub>/T<sub>L</sub> = 34 ms/65 ms at 25°C.

Therefore, the temperature equation for the daisy-chain mode of operation is

$$\text{Temperature } (^{\circ}\text{C}) = 421 - (751 \times (T_H/T_L)) \quad (4)$$

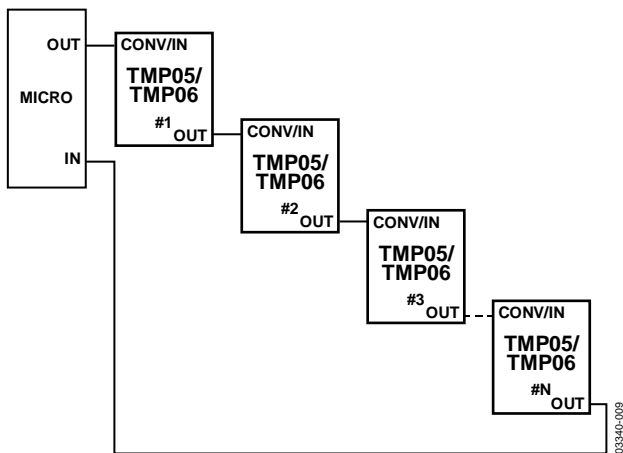


Figure 24. Daisy-Chain Structure

A second microcontroller line is needed to generate the conversion start pulse on the CONV/IN pin. The pulse width of the start pulse should be less than 25 μs but greater than 20 ns. The start pulse on the CONV/IN pin lets the first TMP05/TMP06 part know that it should now start a conversion and output its own temperature. Once the part has output its own temperature, it outputs a start pulse for the next part on the daisy-chain link. The pulse width of the start pulse from each TMP05/TMP06 part is typically 17 μs.

Figure 25 shows the start pulse on the CONV/IN pin of the first device on the daisy chain. Figure 26 shows the PWM output by this first part.

Before the start pulse reaches a TMP05/TMP06 part in the daisy chain, the device acts as a buffer for the previous temperature measurement signals. Each part monitors the PWM signal for the start pulse from the previous part. Once the part detects the start pulse, it initiates a conversion and inserts the result at the end of the daisy-chain PWM signal. It then inserts a start pulse for the next part in the link. The final signal input to the microcontroller should look like Figure 27. The input signal on Pin 2 (IN) of the first daisy-chain device must remain low until the last device has output its start pulse.

If the input on Pin 2 (IN) goes high and remains high, the TMP05/TMP06 part powers down between 0.3 sec and 1.2 sec later. The part, therefore, requires another start pulse to generate another temperature measurement. Note that to reduce power dissipation through the part, it is recommended to keep Pin 2 (IN) at a high state when the part is not converting. If the IN pin is at 0 V, the OUT pin is at 0 V (because it is acting as a buffer when not converting), and is drawing current through either the pull-up MOSFET (TMP05) or the pull-up resistor (TMP06).

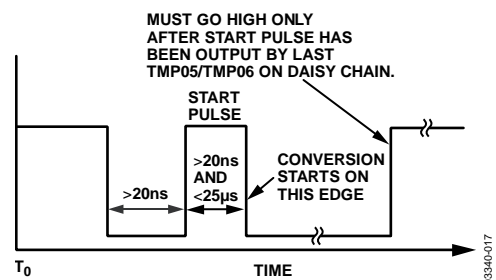


Figure 25. Start Pulse at CONV/IN Pin of First TMP05/TMP06 Device on Daisy Chain

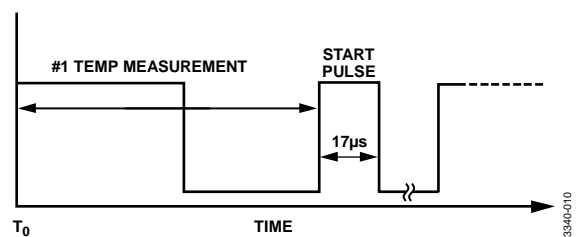


Figure 26. Daisy-Chain Temperature Measurement and Start Pulse Output from First TMP05/TMP06

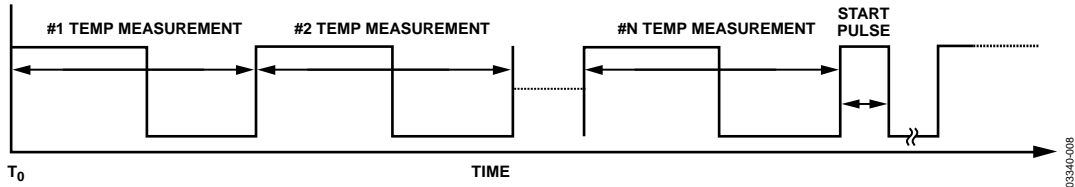


Figure 27. Daisy-Chain Signal at Input to the Microcontroller

**TMP05 OUTPUT**

The TMP05 has a push-pull CMOS output (Figure 28) and provides rail-to-rail output drive for logic interfaces. The rise and fall times of the TMP05 output are closely matched so that errors caused by capacitive loading are minimized. If load capacitance is large (for example, when driving a long cable), an external buffer could improve accuracy.

An internal resistor is connected in series with the pull-up MOSFET when the TMP05 is operating in one shot mode.

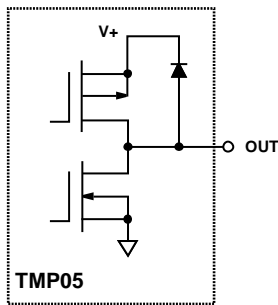


Figure 28. TMP05 Digital Output Structure

**TMP06 OUTPUT**

The TMP06 has an open-drain output. Because the output source current is set by the pull-up resistor, output capacitance should be minimized in TMP06 applications. Otherwise, unequal rise and fall times skew the pulse width and introduce measurement errors.

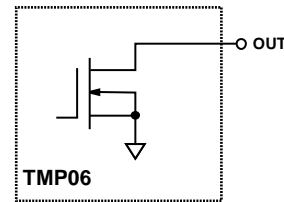


Figure 29. TMP06 Digital Output Structure

## APPLICATION HINTS

### THERMAL RESPONSE TIME

The time required for a temperature sensor to settle to a specified accuracy is a function of the sensor's thermal mass and the thermal conductivity between the sensor and the object being sensed. Thermal mass is often considered equivalent to capacitance. Thermal conductivity is commonly specified using the symbol  $Q$  and can be thought of as thermal resistance. It is usually specified in units of degrees per watt of power transferred across the thermal joint. Thus, the time required for the TMP05/TMP06 to settle to the desired accuracy is dependent on the package selected, the thermal contact established in that particular application, and the equivalent power of the heat source. In most applications, the settling time is probably best determined empirically.

### SELF-HEATING EFFECTS

The temperature measurement accuracy of the TMP05/TMP06 can be degraded in some applications due to self-heating. Errors are introduced from the quiescent dissipation and power dissipated when converting, that is, during  $T_L$ . The magnitude of these temperature errors depends on the thermal conductivity of the TMP05/TMP06 package, the mounting technique, and the effects of airflow. Static dissipation in the TMP05/TMP06 is typically  $10 \mu\text{W}$  operating at  $3.3 \text{ V}$  with no load. In the 5-lead SC-70 package mounted in free air, this accounts for a temperature increase due to self-heating of

$$\Delta T = P_{DISS} \times \theta_{JA} = 10 \mu\text{W} \times 534.7^\circ\text{C}/\text{W} = 0.0053^\circ\text{C} \quad (5)$$

In addition, power is dissipated by the digital output, which is capable of sinking  $800 \mu\text{A}$  continuously (TMP05). Under an  $800 \mu\text{A}$  load, the output can dissipate

$$P_{DISS} = (0.4 \text{ V})(0.8 \text{ mA})((T_L)/T_H + T_L) \quad (6)$$

For example, with  $T_L = 80 \text{ ms}$  and  $T_H = 40 \text{ ms}$ , the power dissipation due to the digital output is approximately  $0.21 \text{ mW}$ . In a free-standing SC-70 package, this accounts for a temperature increase due to self-heating of

$$\Delta T = P_{DISS} \times \theta_{JA} = 0.21 \text{ mW} \times 534.7^\circ\text{C}/\text{W} = 0.112^\circ\text{C} \quad (7)$$

This temperature increase directly adds to that from the quiescent dissipation and affects the accuracy of the TMP05/TMP06 relative to the true ambient temperature.

It is recommended that current dissipated through the device be kept to a minimum because it has a proportional effect on the temperature error.

### SUPPLY DECOUPLING

The TMP05/TMP06 should be decoupled with a  $0.1 \mu\text{F}$  ceramic capacitor between  $V_{DD}$  and GND. This is particularly important if the TMP05/TMP06 are mounted remotely from the power supply. Precision analog products such as the TMP05/TMP06 require a well filtered power source. Because the parts operate from a single supply, simply tapping into the digital logic power supply could appear to be a convenient option. Unfortunately, the logic supply is often a switch-mode design, which generates noise in the  $20 \text{ kHz}$  to  $1 \text{ MHz}$  range. In addition, fast logic gates can generate glitches hundreds of mV in amplitude due to wiring resistance and inductance.

If possible, the TMP05/TMP06 should be powered directly from the system power supply. This arrangement, shown in Figure 30, isolates the analog section from the logic switching transients. Even if a separate power supply trace is not available, generous supply bypassing reduces supply-line-induced errors. Local supply bypassing consisting of a  $0.1 \mu\text{F}$  ceramic capacitor is critical for the temperature accuracy specifications to be achieved. This decoupling capacitor must be placed as close as possible to the TMP05/TMP06  $V_{DD}$  pin. A recommended decoupling capacitor is Phicomp's  $100 \text{ nF}$ ,  $50 \text{ V X74}$ .

It is important to keep the capacitor package size as small as possible because ESL (equivalent series inductance) increases with increasing package size. Reducing the capacitive value below  $100 \text{ nF}$  increases the ESR (equivalent series resistance). Using a capacitor with an ESL of  $1 \text{ nH}$  and an ESR of  $80 \text{ m}\Omega$  is recommended.

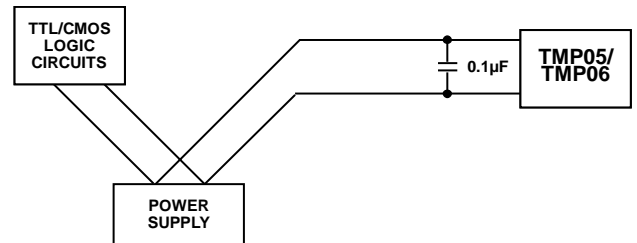


Figure 30. Use Separate Traces to Reduce Power Supply Noise

03340-013

**LAYOUT CONSIDERATIONS**

Digital boards can be electrically noisy environments and glitches are common on many of the signals in the system. The likelihood of glitches causing problems to the TMP05/TMP06 OUT pin is very minute. The typical impedance of the TMP05/TMP06 OUT pin when driving low is 55 Ω. When driving high, the TMP05 OUT pin is similar. This low impedance makes it very difficult for a glitch to break the  $V_{IL}$  and  $V_{IH}$  thresholds. There is a slight risk that a sizeable glitch could cause problems. A glitch can only cause problems when the OUT pin is low during a temperature measurement. If a glitch occurs that is large enough to fool the master into believing that the temperature measurement is over, the temperature read would not be the actual temperature. In most cases, the master spots a temperature value that is erroneous and can request another temperature measurement for confirmation. One area that can cause problems is if this very large glitch occurs near the end of the low period of the mark-space waveform, and the temperature read back is so close to the expectant temperature that the master does not question it.

One layout method that helps in reducing the possibility of a glitch is to run ground tracks on either side of the OUT line. Use a wide OUT track to minimize inductance and reduce noise pickup. A 10 mil track minimum width and spacing is recommended. Figure 31 shows how glitch protection traces could be laid out.



Figure 31. Use Separate Traces to Reduce Power Supply Noise

Another method that helps reduce the possibility of a glitch is to use a 50 ns glitch filter on the OUT line. The glitch filter eliminates any possibility of a glitch getting through to the master or being passed along a daisy chain.

**TEMPERATURE MONITORING**

The TMP05/TMP06 are ideal for monitoring the thermal environment within electronic equipment. For example, the surface-mounted package accurately reflects the exact thermal conditions that affect nearby integrated circuits.

The TMP05/TMP06 measure and convert the temperature at the surface of their own semiconductor chip. When the TMP05/TMP06 are used to measure the temperature of a

nearby heat source, the thermal impedance between the heat source and the TMP05/TMP06 must be considered. Often, a thermocouple or other temperature sensor is used to measure the temperature of the source, while the TMP05/TMP06 temperature is monitored by measuring  $T_H$  and  $T_L$ . Once the thermal impedance is determined, the temperature of the heat source can be inferred from the TMP05/TMP06 output.

One example of using the TMP05/TMP06's unique properties is in monitoring a high power dissipation microprocessor. Each TMP05/TMP06 part, in a surface-mounted package, is mounted directly beneath the microprocessor's pin grid array (PGA) package. In a typical application, the TMP05/TMP06 output is connected to an ASIC, where the pulse width is measured. The TMP05/TMP06 pulse output provides a significant advantage in this application because it produces a linear temperature output while needing only one I/O pin and without requiring an ADC.

**DAISY-CHAIN APPLICATION**

This section provides an example of how to connect two TMP05s in daisy-chain mode to a standard 8052 microcontroller core. The ADuC812 is the microcontroller used and the core processing engine is the 8052. Figure 31 shows how to interface to the 8052 core device. The TMP05 Program Code Example 1 section shows how to communicate from the ADuC812 to two daisy-chained TMP05s. This code can also be used with the ADuC831 or any microprocessor running on an 8052 core.

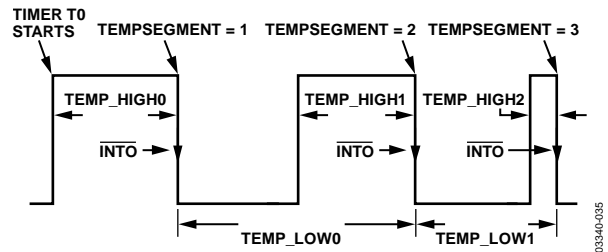


Figure 32. Reference Diagram for Software Variables in the TMP05 Program Code Example 1

Figure 32 is a diagram of the input waveform into the ADuC812 from the TMP05 daisy chain. It illustrates how the code's variables are assigned and it should be referenced when reading the TMP05 Program Code Example 1. Application notes showing the TMP05 working with other types of microcontrollers are available from Analog Devices at [www.analog.com](http://www.analog.com).

Figure 33 shows how the three devices are hardwired together. Figure 34 to Figure 36 are flow charts for this program.

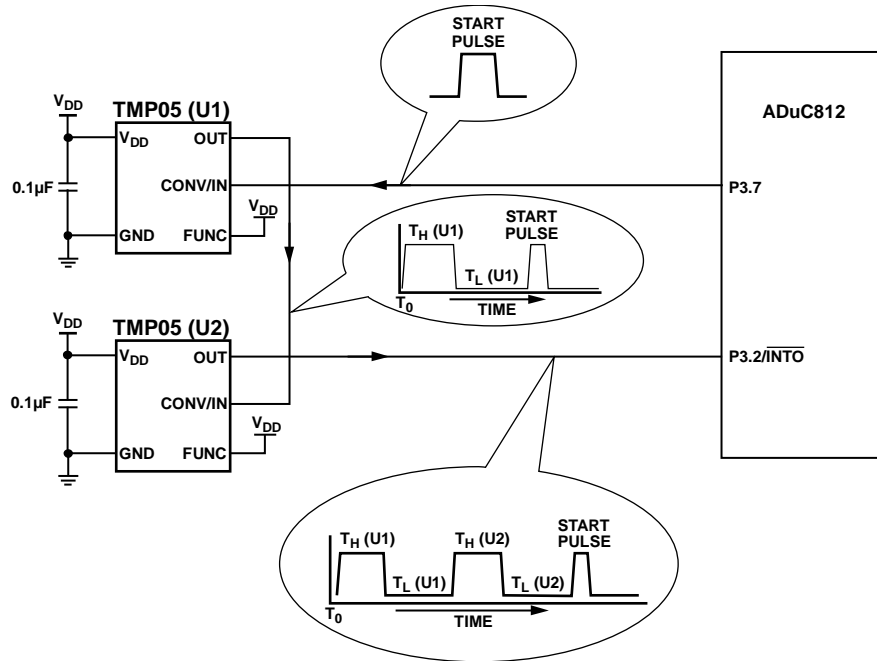


Figure 33. Typical Daisy-Chain Application Circuit

03340-014

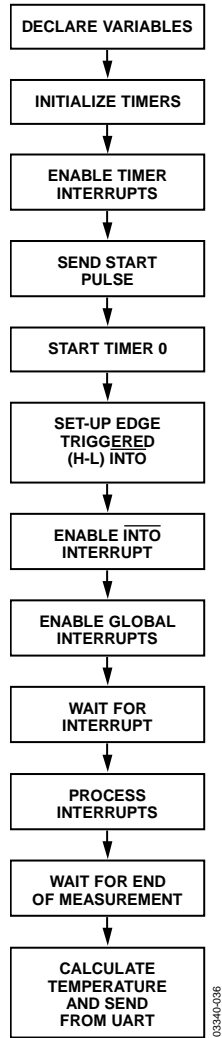


Figure 34. ADuC812 Main Routine Flowchart

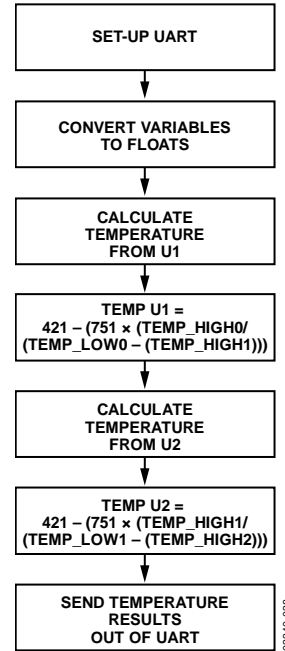


Figure 35. ADuC812 Temperature Calculation Routine Flowchart

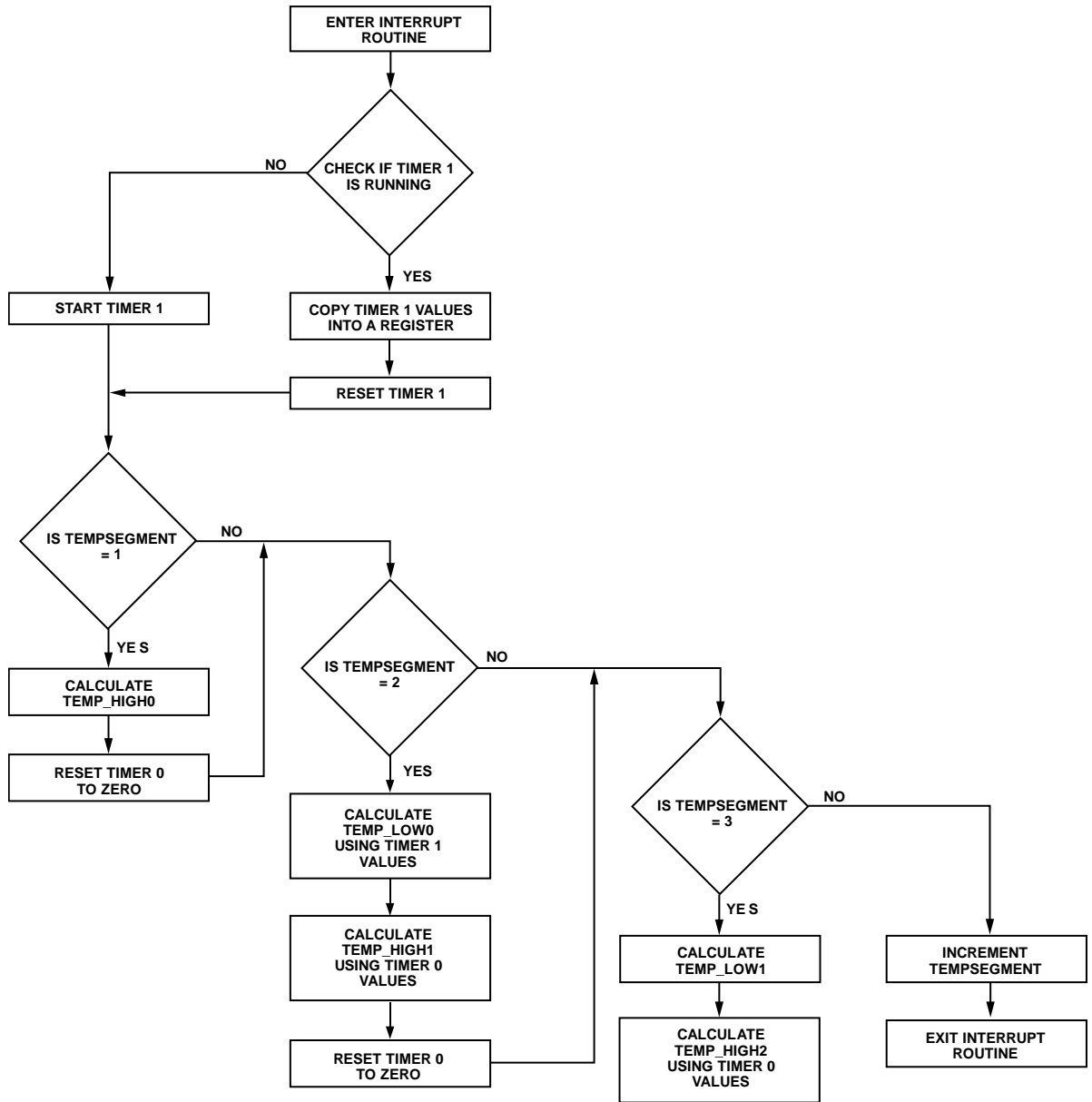


Figure 36. ADuC812 Interrupt Routine Flowchart

03340-037

**TMP05 Program Code Example 1**

```

//=====
// Description : This program reads the temperature from 2 daisy-chained TMP05 parts.
//
// This code runs on any standard 8052 part running at 11.0592MHz.
// If an alternative core frequency is used, the only change required is an
// adjustment of the baud rate timings.
//
// P3.2 = Daisy-chain output connected to INT0.
// P3.7 = Conversion control.
// Timer0 is used in gate mode to measure the high time.
// Timer1 is triggered on a high-to-low transition of INT0 and is used to measure
// the low time.
//=====
    
```

```

#include <stdio.h>
#include <ADuC812.h> //ADuC812 SFR definitions
void delay(int);
sbit Daisy_Start_Pulse = 0xB7; //Daisy_Start_Pulse = P3.7
sbit P3_4 = 0xB4;
long temp_high0,temp_low0,temp_high1,temp_low1,temp_high2,th,tl; //Global variables to allow
//access during ISR.
//See Figure 32.

int timer0_count=0,timer1_count=0,tempsegment=0;

void int0 () interrupt 0 //INT0 Interrupt Service Routine
{
if (TR1 == 1)
{
th = TH1;
tl = TL1;
th = TH1; //To avoid misreading timer
TL1 = 0;
TH1 = 0;
}
TR1=1; //Start timer1 running, if not running
Already

if (tempsegment == 1)
{
temp_high0 = (TH0*0x100+TL0)+(timer0_count*65536); //Convert to integer
TH0=0x00; //Reset count
TL0=0x00;
timer0_count=0;
}
if (tempsegment == 2)
{
temp_low0 = (th*0x100+tl)+(timer1_count*65536); //Convert to integer
temp_high1 = (TH0*0x100+TL0)+(timer0_count*65536); //Convert to integer
TH0=0x00; //Reset count
TL0=0x00;
timer0_count=0;
timer1_count=0;
}
if (tempsegment == 3)
{
temp_low1 = (th*0x100+tl)+(timer1_count*65536); //Convert to integer
temp_high2 = (TH0*0x100+TL0)+(timer0_count*65536); //Reset count
TH0=0x00;
TL0=0x00;
timer0_count=0;
timer1_count=0;
}

tempsegment++;
}

void timer0 () interrupt 1
{
timer0_count++; //Keep a record of timer0 overflows
}
void timer1 () interrupt 3
{
timer1_count++; //Keep a record of timer1 overflows
}

```

```

}
void main(void)
{
double temp1=0,temp2=0;
double T1,T2,T3,T4,T5;

// Initialization
TMOD = 0x19; // Timer1 in 16-bit counter mode
// Timer0 in 16-bit counter mode

// with gate on INT0. Timer0 only counts when INTO pin // is high.
ET0 = 1; // Enable timer0 interrupts
ET1 = 1; // Enable timer1 interrupts
tempsegment = 1; // Initialize segment

Daisy_Start_Pulse = 0; // Pull P3.7 low

// Start Pulse
Daisy_Start_Pulse = 1;
Daisy_Start_Pulse = 0; //Toggle P3.7 to give start pulse
// Set T0 to count the high period
TR0 = 1; // Start timer0 running
IT0 = 1; // Interrupt0 edge triggered

EX0 = 1; // Enable interrupt
EA = 1; // Enable global interrupts
for(;;)
{
if (tempsegment == 4)
break;
}

//CONFIGURE UART
SCON = 0x52 ; // 8-bit, no parity, 1 stop bit
TMOD = 0x20 ; // Configure timer1..
TH1 = 0xFD ; // ..for 9600baud..
TR1 = 1; // ..(assuming 11.0592MHz crystal)

//Convert variables to floats for calculation
T1= temp_high0;
T2= temp_low0;
T3= temp_high1;
T4= temp_low1;
T5= temp_high2;

temp1=421-(751*(T1/(T2-T3)));
temp2=421-(751*(T3/(T4-T5)));
printf("Temp1 = %f\nTemp2 = %f\n",temp1,temp2); //Sends temperature result out UART

while (1); // END of program

}

// Delay routine
void delay(int length)
{
while (length >=0)
length--;
}

```

**CONTINUOUSLY CONVERTING APPLICATION**

This section provides an example of how to connect one TMP05 in continuously converting mode to a microchip PIC16F876 microcontroller. Figure 37 shows how to interface to the PIC16F876.

The TMP05 Program Code Example 2 shows how to communicate from the microchip device to the TMP05. This code can also be used with other PICs by changing the include file for the part.

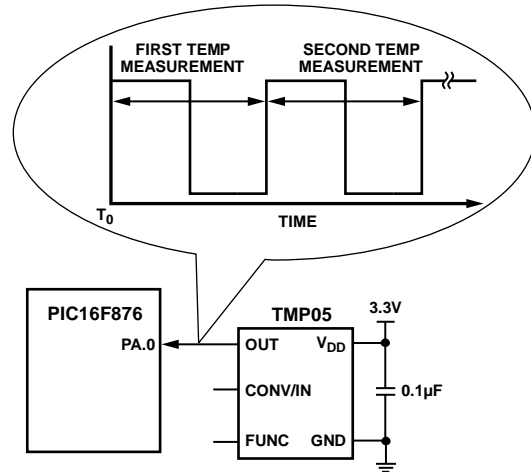


Figure 37. Typical Continuously Converting Application Circuit

**TMP05 Program Code Example 2**

```
//=====
//
// Description : This program reads the temperature from a TMP05 part set up in continuously
// converting mode.
// This code was written for a PIC16F876, but can be easily configured to function with other
// PICs by simply changing the include file for the part.
//
// Fosc = 4MHz
// Compiled under CCS C compiler IDE version 3.4
// PWM output from TMP05 connected to PortA.0 of PIC16F876
//
//=====
#include <16F876.h> // Insert header file for the particular PIC being used
#define adc=8
#include delay(clock=4000000)
#include fuses NOWDT, XT, PUT, NOPROTECT, BROWNOUT, LVP

//_____ Wait for high function_____
void wait_for_high() {
    while(input(PIN_A0)) ; /* while high, wait for low */
    while(!input(PIN_A0)); /* wait for high */
}
//_____ Wait for low function_____
void wait_for_low() {
    while(input(PIN_A0)); /* wait for high */
}
//_____ Main begins here_____
void main(){
    long int high_time, low_time, temp;

    setup_adc_ports(NO_ANALOGS);
    setup_adc(ADC_OFF);
    setup_spi(FALSE);

    setup_timer_1 ( T1_INTERNAL | T1_DIV_BY_2); //Sets up timer to overflow after 131.07ms
```

0340-039

```
do{
    wait_for_high();
    set_timer1(0); //Reset timer
    wait_for_low();
    high_time = get_timer1();
    set_timer1(0); //Reset timer
    wait_for_high();
    low_time = get_timer1();

    temp = 421 - ((751 * high_time)/low_time); //Temperature equation for the high state
                                              //conversion rate.
                                              //Temperature value stored in temp as a long int
}while (TRUE);
}
```

OUTLINE DIMENSIONS

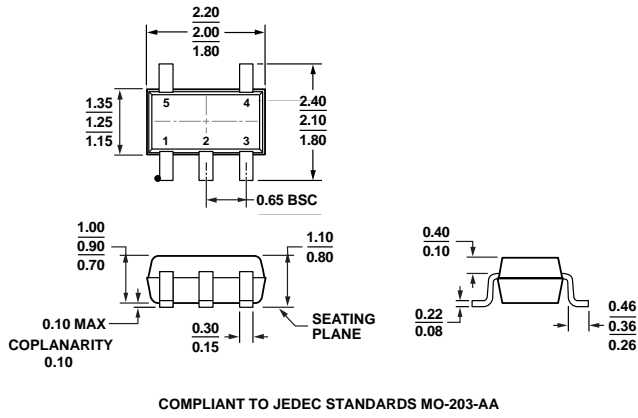


Figure 38. 5-Lead Thin Shrink Small Outline Transistor Package [SC-70] (KS-5)  
Dimensions shown in millimeters

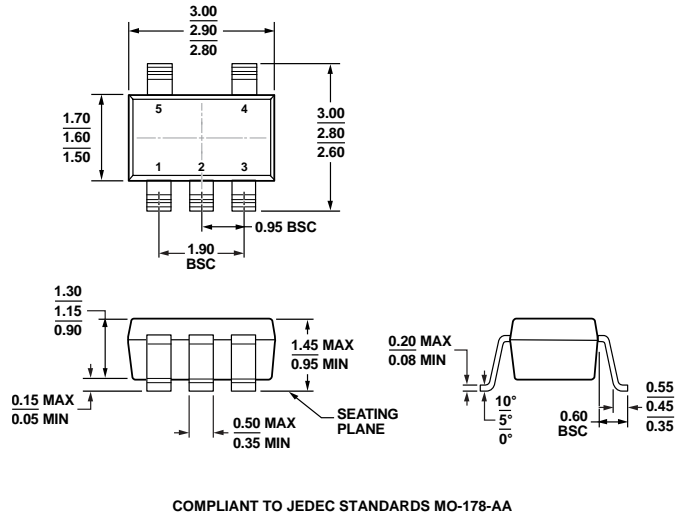


Figure 39. 5-Lead Small Outline Transistor Package [SOT-23] (RJ-5)  
Dimensions shown in millimeters

ORDERING GUIDE

Model <sup>1</sup>	Minimum Quantities/Reel	Temperature Range <sup>2</sup>	Temperature Accuracy <sup>3</sup>	Package Description	Package Option	Branding
TMP05AKSZ-500RL7	500	-40°C to +150°C	±2°C	5-Lead SC-70	KS-5	T8C
TMP05AKSZ-REEL	10,000	-40°C to +150°C	±2°C	5-Lead SC-70	KS-5	T8C
TMP05AKSZ-REEL7	3,000	-40°C to +150°C	±2°C	5-Lead SC-70	KS-5	T8C
TMP05ARTZ-500RL7	500	-40°C to +150°C	±2°C	5-Lead SOT-23	RJ-5	T8C
TMP05ARTZ-REEL7	3,000	-40°C to +150°C	±2°C	5-Lead SOT-23	RJ-5	T8C
TMP05BKSZ-500RL7	500	-40°C to +150°C	±1°C	5-Lead SC-70	KS-5	T8D
TMP05BKSZ-REEL	10,000	-40°C to +150°C	±1°C	5-Lead SC-70	KS-5	T8D
TMP05BKSZ-REEL7	3,000	-40°C to +150°C	±1°C	5-Lead SC-70	KS-5	T8D
TMP05BRTZ-500RL7	500	-40°C to +150°C	±1°C	5-Lead SOT-23	RJ-5	T8D
TMP05BRTZ-REEL	10,000	-40°C to +150°C	±1°C	5-Lead SOT-23	RJ-5	T8D
TMP05BRTZ-REEL7	3,000	-40°C to +150°C	±1°C	5-Lead SOT-23	RJ-5	T8D
EVAL-TMP05/06EBZ		-40°C to +150°C				
TMP06AKSZ-500RL7	500	-40°C to +150°C	±2°C	5-Lead SC-70	KS-5	T9C
TMP06AKSZ-REEL	10,000	-40°C to +150°C	±2°C	5-Lead SC-70	KS-5	T9C
TMP06ARTZ-500RL7	500	-40°C to +150°C	±2°C	5-Lead SOT-23	RJ-5	T9C
TMP06BKSZ-500RL7	500	-40°C to +150°C	±1°C	5-Lead SC-70	KS-5	T9D
TMP06BRTZ-500RL7	500	-40°C to +150°C	±1°C	5-Lead SOT-23	RJ-5	T9D

<sup>1</sup> Z = RoHS Compliant Part.

<sup>2</sup> It is not recommended to operate the device at temperatures above 125°C for more than a total of 5% (5,000 hours) of the lifetime of the device. Any exposure beyond this limit affects device reliability.

<sup>3</sup> A-grade and B-grade temperature accuracy is over the 0°C to 70°C temperature range.

**NOTES**

**NOTES**

## Looking for pricing, stock, or lifecycle information?

Click below to explore more details on WIN SOURCE:

-  [View TMP05ARTZ-REEL7 on WIN SOURCE](#)
-  [Analog Devices Inc. Information](#)

## Optimize Your Supply Chain with WIN SOURCE Solutions

-  Global Sourcing Solution
-  Obsolete Management
-  Cost Control Management
-  Shortage Management
-  Alternative Solution
-  Excess Inventory Management