



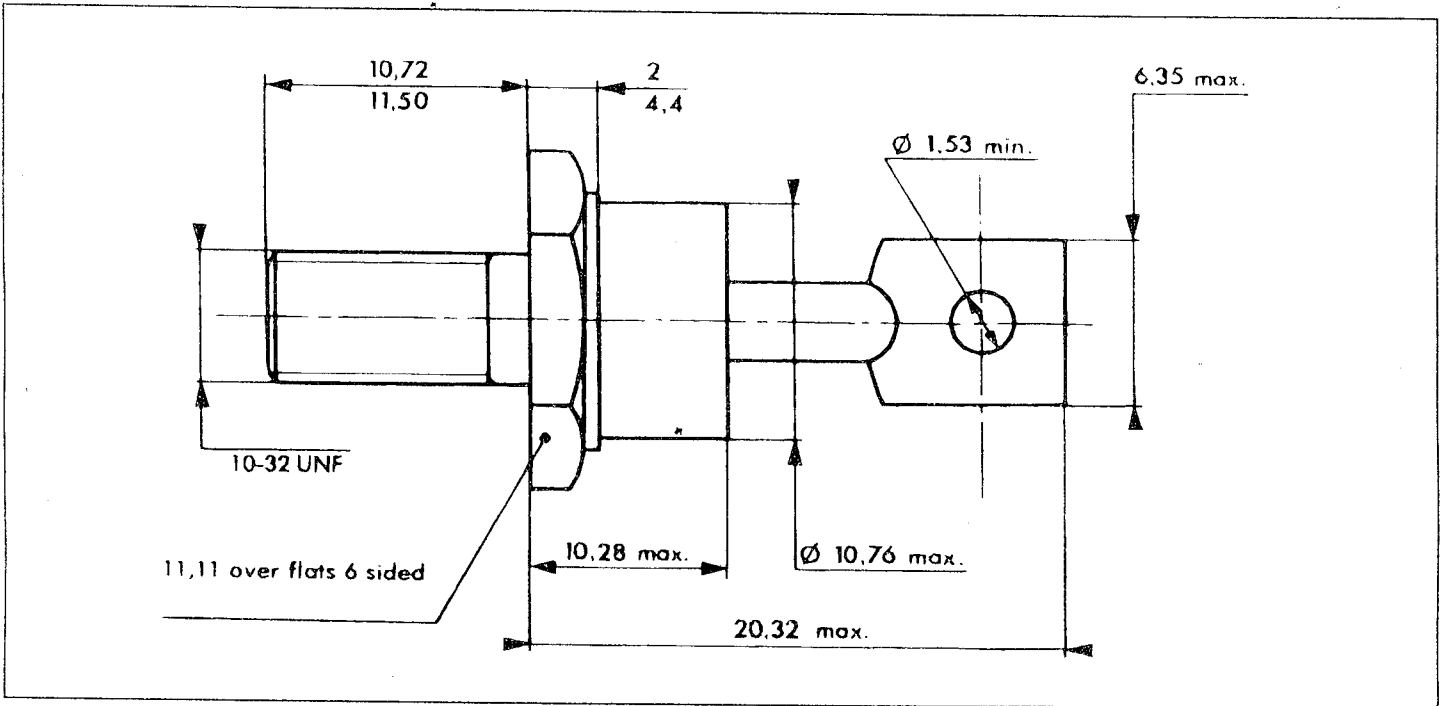
**THE DATASHEET OF  
25FR60**





# PACKAGE MECHANICAL DATA

DO 4 Metal



Marking : Cathode connected to case : type number  
Anode connected to case : type number + suffix R

## Looking for pricing, stock, or lifecycle information?

Click below to explore more details on WIN SOURCE:

- ⊖ [View 25FR60 on WIN SOURCE](#)
- ⊖ [Solid State Inc. Information](#)

## Optimize Your Supply Chain with WIN SOURCE Solutions

- ✓ Global Sourcing Solution
- ✓ Obsolete Management
- ✓ Cost Control Management
- ✓ Shortage Management
- ✓ Alternative Solution
- ✓ Excess Inventory Management