



# THE DATASHEET OF CY29946AXC





**Please note that Cypress is an Infineon Technologies Company.**

The document following this cover page is marked as “Cypress” document as this is the company that originally developed the product. Please note that Infineon will continue to offer the product to new and existing customers as part of the Infineon product portfolio.

**Continuity of document content**

The fact that Infineon offers the following product as part of the Infineon product portfolio does not lead to any changes to this document. Future revisions will occur when appropriate, and any changes will be set out on the document history page.

**Continuity of ordering part numbers**

Infineon continues to support existing part numbers. Please continue to use the ordering part numbers listed in the datasheet for ordering.

# 2.5 V or 3.3 V, 200 MHz, 1:10 Clock Distribution Buffer

## Features

- 2.5 V or 3.3 V operation
- 200 MHz clock support
- Two LVCMOS-/LVTTTL-compatible inputs
- Ten clock outputs: drive up to 20 clock lines
- 1× or 1/2× configurable outputs
- Output three-state control
- 250-ps max output-to-output skew
- Pin-compatible with MPC946, MPC9446
- Available in commercial and industrial temperature range
- 32-pin TQFP package

## Functional Description

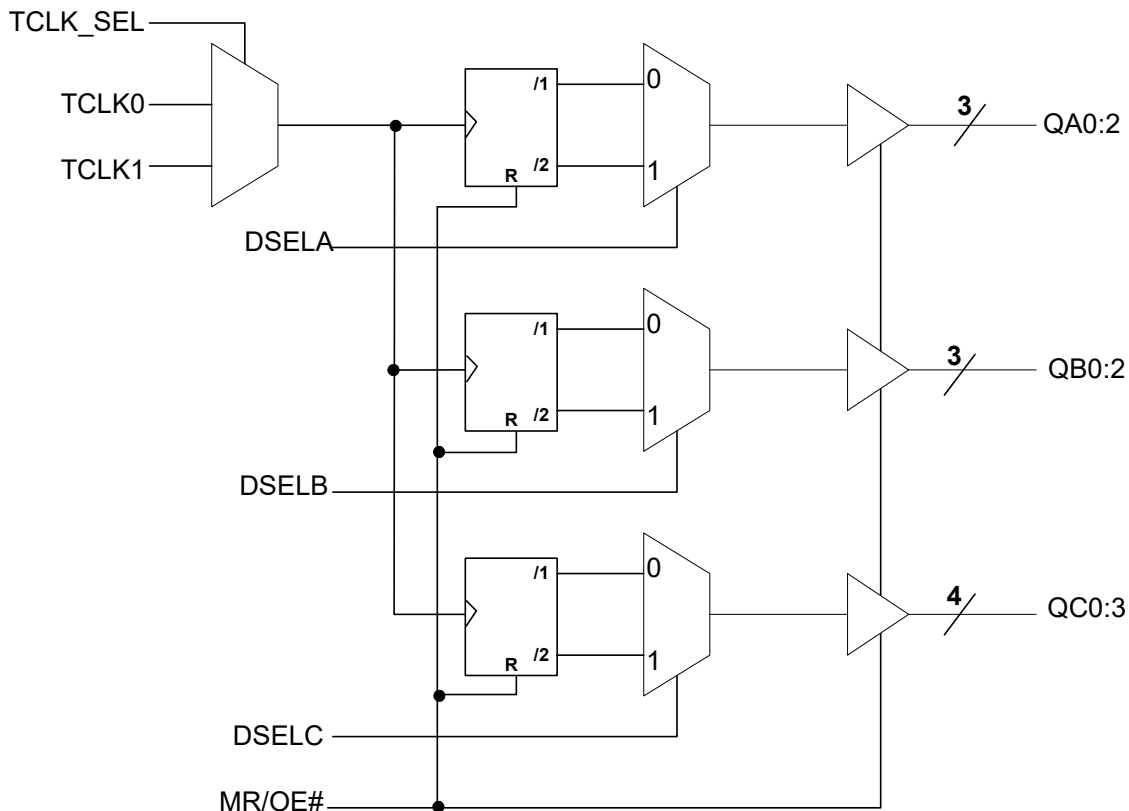
The CY29946 is a low-voltage 200-MHz clock distribution buffer with the capability to select one of two LVCMOS/LVTTTL compatible input clocks. These clock sources can be used to provide for test clocks as well as the primary system clocks. All other control inputs are LVCMOS/LVTTTL compatible. The 10 outputs are LVCMOS or LVTTTL compatible and can drive 50 Ω series or parallel terminated transmission lines. For series terminated transmission lines, each output can drive one or two traces giving the device an effective fanout of 1:20.

The CY29946 is capable of generating 1× and 1/2× signals from a 1× source. These signals are generated and retimed internally to ensure minimal skew between the 1× and 1/2× signals. SEL(A:C) inputs allow flexibility in selecting the ratio of 1× to 1/2× outputs.

The CY29946 outputs can also be three-stated via MR/OE# input. When MR/OE# is set HIGH, it resets the internal flip-flops and three-states the outputs.

For a complete list of related documentation, [click here](#).

## Block Diagram



Not Recommended for New Designs



### Absolute Maximum Conditions<sup>[2]</sup>

Maximum Input Voltage Relative to $V_{SS}$ .....	$V_{SS} - 0.3$ V
Maximum Input Voltage Relative to $V_{DD}$ .....	$V_{DD} + 0.3$ V
Storage Temperature .....	-65 °C to +150 °C
Operating Temperature.....	-40 °C to +85 °C
Maximum ESD protection.....	2 kV
Maximum Power Supply.....	5.5 V
Maximum Input Current.....	±20 mA

This device contains circuitry to protect the inputs against damage due to high static voltages or electric field; however, precautions should be taken to avoid application of any voltage higher than the maximum rated voltages to this circuit. For proper operation,  $V_{in}$  and  $V_{out}$  should be constrained to the range:

$$V_{SS} < (V_{in} \text{ or } V_{out}) < V_{DD}$$

Unused inputs must always be tied to an appropriate logic voltage level (either  $V_{SS}$  or  $V_{DD}$ ).

### DC Electrical Specifications

$V_{DD} = V_{DDC} = 3.3$  V ± 10% or 2.5 V ± 5%, over the specified temperature range

Parameter	Description	Conditions	Min	Typ	Max	Unit
$V_{IL}$	Input Low Voltage		$V_{SS}$	-	0.8	V
$V_{IH}$	Input High Voltage		2.0	-	$V_{DD}$	V
$I_{IL}$	Input Low Current <sup>[3]</sup>		-	-	-100	µA
$I_{IH}$	Input High Current <sup>[3]</sup>		-	-	100	µA
$V_{OL}$	Output Low Voltage <sup>[4]</sup>	$I_{OL} = 20$ mA	-	-	0.4	V
$V_{OH}$	Output High Voltage <sup>[4]</sup>	$I_{OH} = -20$ mA, $V_{DD} = 3.3$ V	2.5	-	-	V
		$I_{OH} = -20$ mA, $V_{DD} = 2.5$ V	1.8	-	-	
$I_{DDQ}$	Quiescent Supply Current		-	5	7	mA
$I_{DD}$	Dynamic Supply Current	$V_{DD} = 3.3$ V, Outputs @ 100 MHz, $C_L = 30$ pF	-	130	-	mA
		$V_{DD} = 3.3$ V, Outputs @ 160 MHz, $C_L = 30$ pF	-	225	-	
		$V_{DD} = 2.5$ V, Outputs @ 100 MHz, $C_L = 30$ pF	-	95	-	
		$V_{DD} = 2.5$ V, Outputs @ 160 MHz, $C_L = 30$ pF	-	160	-	
$Z_{Out}$	Output Impedance	$V_{DD} = 3.3$ V	12	15	18	W
		$V_{DD} = 2.5$ V	14	18	22	
$C_{in}$	Input Capacitance		-	4	-	pF

### Thermal Resistance

Parameter <sup>[5]</sup>	Description	Test Conditions	32-pin TQFP	Unit
$\theta_{JA}$	Thermal resistance (junction to ambient)	Test conditions follow standard test methods and procedures for measuring thermal impedance, in accordance with EIA/JESD51.	65	°C/W
$\theta_{JC}$	Thermal resistance (junction to case)		12	°C/W

**Notes**

- Multiple Supplies:** The voltage on any input or I/O pin cannot exceed the power pin during power-up. Power supply sequencing is not required.
- Inputs have pull-up/pull-down resistors that effect input current.
- Driving series or parallel terminated 50 Ω (or 50 Ω to  $V_{DD}/2$ ) transmission lines.
- These parameters are guaranteed by design and are not tested.

## AC Electrical Specifications

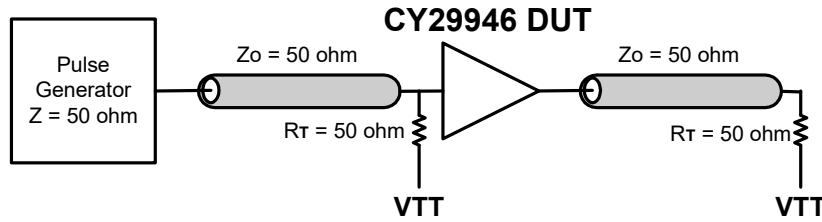
$V_{DD} = V_{DDC} = 3.3\text{ V} \pm 10\%$  or  $2.5\text{ V} \pm 5\%$ , over the specified temperature range<sup>[6]</sup>

Parameter	Description	Conditions	Min	Typ	Max	Unit
$F_{max}$	Input Frequency <sup>[7]</sup>	$V_{DD} = 3.3\text{ V}$	–	–	200	MHz
		$V_{DD} = 2.5\text{ V}$	–	–	170	
$T_{pd}$	TTL_CLK To Q Delay <sup>[7]</sup>		5.0	–	11.5	ns
$F_{outDC}$	Output Duty Cycle <sup>[7, 8]</sup>	Measured at $V_{DD}/2$	45	–	55	%
$t_{pZL}, t_{pZH}$	Output enable time (all outputs)		2	–	10	ns
$t_{pLZ}, t_{pHZ}$	Output disable time (all outputs)		2	–	10	ns
$T_{skew}$	Output-to-Output Skew <sup>[7, 9]</sup>		–	150	250	ps
$T_{skew(pp)}$	Part-to-Part Skew <sup>[10]</sup>		–	2.0	4.5	ns
$T_r/T_f$	Output Clocks Rise/Fall Time <sup>[9]</sup>	0.8 V to 2.0 V, $V_{DD} = 3.3\text{ V}$	0.10	–	1.0	ns
		0.6 V to 1.8 V, $V_{DD} = 2.5\text{ V}$	0.10	–	1.3	

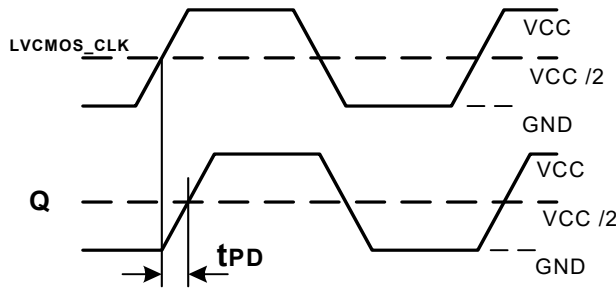
### Notes

6. Parameters are guaranteed by design and characterization. Not 100% tested in production. All parameters specified with loaded outputs.
7. Outputs driving  $50\Omega$  transmission lines.
8. 50% input duty cycle.
9. See [Figure 1 on page 5](#).
10. Part-to-Part skew at a given temperature and voltage.

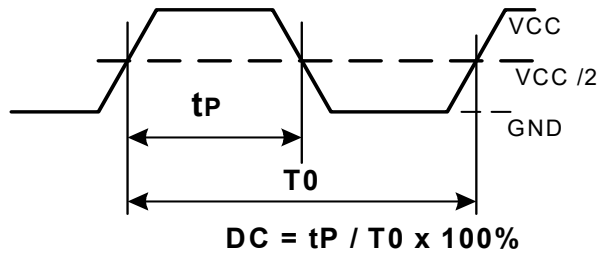
**Figure 1. LVC MOS\_CLK CY29946 Test Reference for  $V_{CC} = 3.3\text{ V}$  and  $V_{CC} = 2.5\text{ V}$**



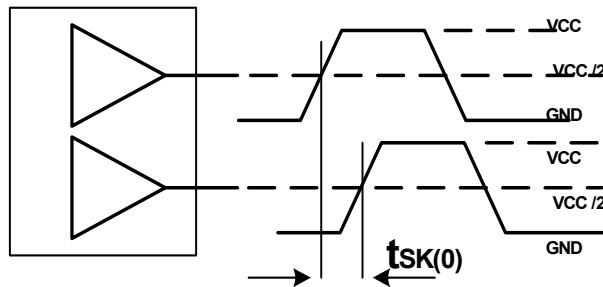
**Figure 2. LVC MOS Propagation Delay ( $T_{PD}$ ) Test Reference**



**Figure 3. Output Duty Cycle ( $F_{outDC}$ )**



**Figure 4. Output-to-Output Skew  $t_{sk(0)}$**

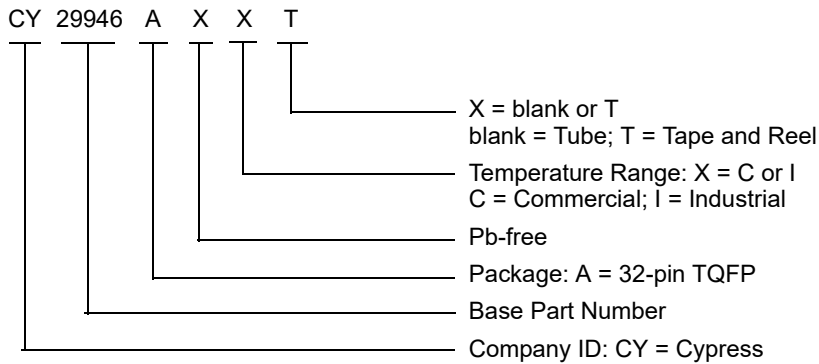


Not Recommended for New Designs

### Ordering Information

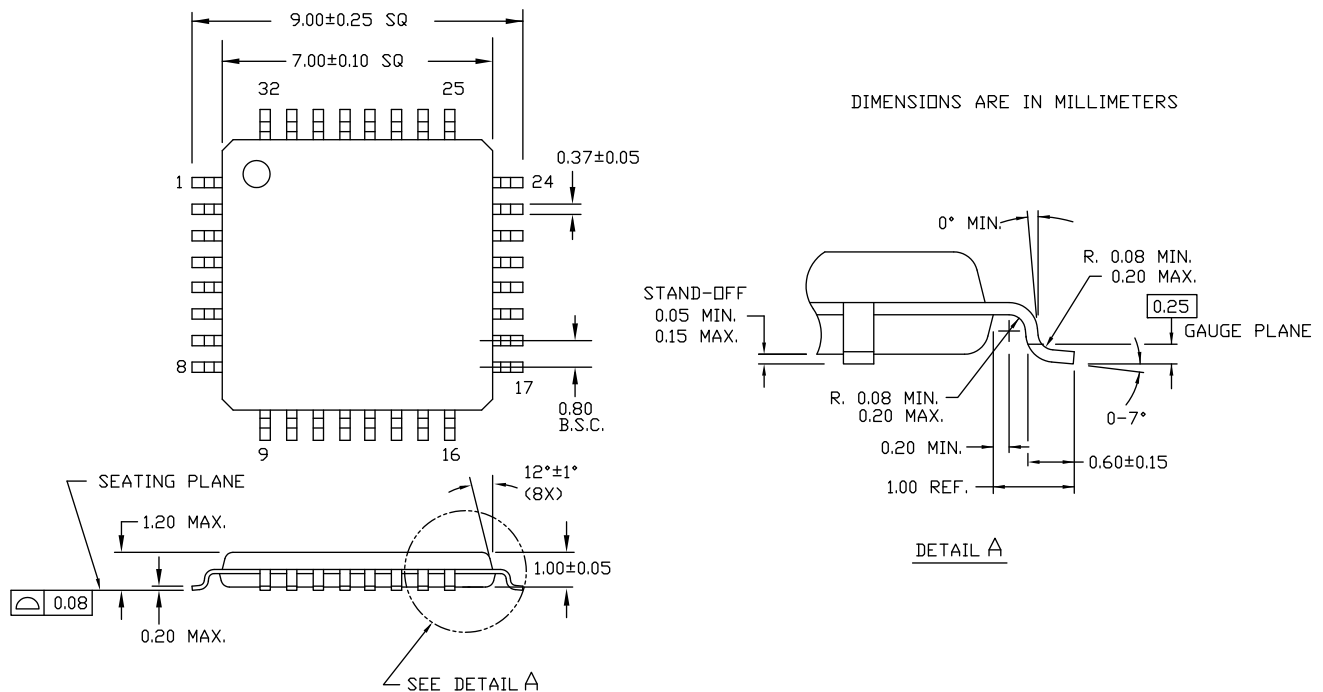
Part Number	Package Type	Production Flow
CY29946AXC	32-pin TQFP	Commercial, 0 °C to +70 °C
CY29946AXI	32-pin TQFP	Industrial, -40 °C to +85 °C
CY29946AXIT	32-pin TQFP – Tape and Reel	Industrial, -40 °C to +85 °C

### Ordering Code Definitions



### Package Drawing and Dimensions

Figure 5. 32-pin TQFP 7 × 7 × 1.0 mm A3210



Not Recommended for New Designs

## Acronyms

Acronym	Description
ESD	electrostatic discharge
I/O	input/output
LVC MOS	low voltage complementary metal oxide semiconductor
LV TTL	low-voltage transistor-transistor logic
TQFP	thin quad flat pack

## Document Conventions

### Units of Measure

Symbol	Unit of Measure
°C	degree Celsius
kV	kilovolt
MHz	megahertz
μA	microampere
mA	milliampere
mm	millimeter
mV	millivolt
ns	nanosecond
Ω	ohm
%	percent
pF	picofarad
ps	picosecond
V	volt
W	watt

Not Recommended for New Designs

**Document History Page**

Document Title: CY29946, 2.5 V or 3.3 V, 200 MHz, 1:10 Clock Distribution Buffer Document Number: 38-07286			
Rev.	ECN No.	Submission Date	Description of Change
**	111097	02/07/2002	New data sheet.
*A	116780	08/15/2002	Added Commercial Temperature Range related information in all instances across the document. Updated <a href="#">Ordering Information</a> : Updated part numbers. Updated <a href="#">Package Drawing and Dimensions</a> : Removed existing spec. Added spec 51-85063 *B.
*B	122878	12/22/2002	Updated <a href="#">Absolute Maximum Conditions</a> <sup>[2]</sup> : Added Note 2 and referred the same note in heading.
*C	130007	10/15/2003	Updated <a href="#">Block Diagram</a> . Updated <a href="#">Pin Description</a> : Updated details in "Description" column corresponding to MK/̄OE pin.
*D	131375	11/21/2003	Updated Document History Page (Revision *C): To reflect changes that were not listed.
*E	221587	04/28/2004	Minor Change: Moved up the word Block Diagram in the first page.
*F	2899714	03/26/2010	Updated <a href="#">Ordering Information</a> : Updated part numbers. Updated <a href="#">Package Drawing and Dimensions</a> : spec 51-85063 – Changed revision from *B to *C.
*G	3254185	05/11/2011	Updated <a href="#">Ordering Information</a> : No change in part numbers. Added <a href="#">Ordering Code Definitions</a> . Added <a href="#">Acronyms and Units of Measure</a> . Updated to new template. Completing Sunset Review.
*H	4389717	05/30/2014	Updated <a href="#">Package Drawing and Dimensions</a> : spec 51-85063 – Changed revision from *C to *D. Completing Sunset Review.
*I	4586288	12/03/2014	Updated <a href="#">Functional Description</a> : Added "For a complete list of related documentation, <a href="#">click here</a> ." at the end.
*J	5270507	05/13/2016	Added <a href="#">Thermal Resistance</a> . Updated <a href="#">Package Drawing and Dimensions</a> : spec 51-85063 – Changed revision from *D to *E. Updated to new template.
*K	5754145	05/29/2017	Updated to new template. Completing Sunset Review.
*L	6903402	06/22/2020	Added watermark "Not Recommended for New Designs" across the document. Updated <a href="#">Ordering Information</a> : Updated part numbers. Updated to new template. Completing Sunset Review.

Not Recommended for New Designs

## Sales, Solutions, and Legal Information

### Worldwide Sales and Design Support

Cypress maintains a worldwide network of offices, solution centers, manufacturer’s representatives, and distributors. To find the office closest to you, visit us at [Cypress Locations](#).

#### Products

Arm® Cortex® Microcontrollers	<a href="http://cypress.com/arm">cypress.com/arm</a>
Automotive	<a href="http://cypress.com/automotive">cypress.com/automotive</a>
Clocks & Buffers	<a href="http://cypress.com/clocks">cypress.com/clocks</a>
Interface	<a href="http://cypress.com/interface">cypress.com/interface</a>
Internet of Things	<a href="http://cypress.com/iot">cypress.com/iot</a>
Memory	<a href="http://cypress.com/memory">cypress.com/memory</a>
Microcontrollers	<a href="http://cypress.com/mcu">cypress.com/mcu</a>
PSoC	<a href="http://cypress.com/psoc">cypress.com/psoc</a>
Power Management ICs	<a href="http://cypress.com/pmic">cypress.com/pmic</a>
Touch Sensing	<a href="http://cypress.com/touch">cypress.com/touch</a>
USB Controllers	<a href="http://cypress.com/usb">cypress.com/usb</a>
Wireless Connectivity	<a href="http://cypress.com/wireless">cypress.com/wireless</a>

#### PSoC® Solutions

[PSoC 1](#) | [PSoC 3](#) | [PSoC 4](#) | [PSoC 5LP](#) | [PSoC 6 MCU](#)

#### Cypress Developer Community

[Community](#) | [Code Examples](#) | [Projects](#) | [Video](#) | [Blogs](#) | [Training](#) | [Components](#)

#### Technical Support

[cypress.com/support](http://cypress.com/support)

Not Recommended for New Designs

© Cypress Semiconductor Corporation, 2002–2020. This document is the property of Cypress Semiconductor Corporation and its subsidiaries (“Cypress”). This document, including any software or firmware included or referenced in this document (“Software”), is owned by Cypress under the intellectual property laws and treaties of the United States and other countries worldwide. Cypress reserves all rights under such laws and treaties and does not, except as specifically stated in this paragraph, grant any license under its patents, copyrights, trademarks, or other intellectual property rights. If the Software is not accompanied by a license agreement and you do not otherwise have a written agreement with Cypress governing the use of the Software, then Cypress hereby grants you a personal, non-exclusive, nontransferable license (without the right to sublicense) (1) under its copyright rights in the Software (a) for Software provided in source code form, to modify and reproduce the Software solely for use with Cypress hardware products, only internally within your organization, and (b) to distribute the Software in binary code form externally to end users (either directly or indirectly through resellers and distributors), solely for use on Cypress hardware product units, and (2) under those claims of Cypress’s patents that are infringed by the Software (as provided by Cypress, unmodified) to make, use, distribute, and import the Software solely for use with Cypress hardware products. Any other use, reproduction, modification, translation, or compilation of the Software is prohibited.

TO THE EXTENT PERMITTED BY APPLICABLE LAW, CYPRESS MAKES NO WARRANTY OF ANY KIND, EXPRESS OR IMPLIED, WITH REGARD TO THIS DOCUMENT OR ANY SOFTWARE OR ACCOMPANYING HARDWARE, INCLUDING, BUT NOT LIMITED TO, THE IMPLIED WARRANTIES OF MERCHANTABILITY AND FITNESS FOR A PARTICULAR PURPOSE. No computing device can be absolutely secure. Therefore, despite security measures implemented in Cypress hardware or software products, Cypress shall have no liability arising out of any security breach, such as unauthorized access to or use of a Cypress product. CYPRESS DOES NOT REPRESENT, WARRANT, OR GUARANTEE THAT CYPRESS PRODUCTS, OR SYSTEMS CREATED USING CYPRESS PRODUCTS, WILL BE FREE FROM CORRUPTION, ATTACK, VIRUSES, INTERFERENCE, HACKING, DATA LOSS OR THEFT, OR OTHER SECURITY INTRUSION (collectively, “Security Breach”). Cypress disclaims any liability relating to any Security Breach, and you shall and hereby do release Cypress from any claim, damage, or other liability arising from any Security Breach. In addition, the products described in these materials may contain design defects or errors known as errata which may cause the product to deviate from published specifications. To the extent permitted by applicable law, Cypress reserves the right to make changes to this document without further notice. Cypress does not assume any liability arising out of the application or use of any product or circuit described in this document. Any information provided in this document, including any sample design information or programming code, is provided only for reference purposes. It is the responsibility of the user of this document to properly design, program, and test the functionality and safety of any application made of this information and any resulting product. “High-Risk Device” means any device or system whose failure could cause personal injury, death, or property damage. Examples of High-Risk Devices are weapons, nuclear installations, surgical implants, and other medical devices. “Critical Component” means any component of a High-Risk Device whose failure to perform can be reasonably expected to cause, directly or indirectly, the failure of the High-Risk Device, or to affect its safety or effectiveness. Cypress is not liable, in whole or in part, and you shall and hereby do release Cypress from any claim, damage, or other liability arising from any use of a Cypress product as a Critical Component in a High-Risk Device. You shall indemnify and hold Cypress, its directors, officers, employees, agents, affiliates, distributors, and assigns harmless from and against all claims, costs, damages, and expenses, arising out of any claim, including claims for product liability, personal injury or death, or property damage arising from any use of a Cypress product as a Critical Component in a High-Risk Device. Cypress products are not intended or authorized for use as a Critical Component in any High-Risk Device except to the limited extent that (i) Cypress’s published data sheet for the product explicitly states Cypress has qualified the product for use in a specific High-Risk Device, or (ii) Cypress has given you advance written authorization to use the product as a Critical Component in the specific High-Risk Device and you have signed a separate indemnification agreement.

Cypress, the Cypress logo, Spansion, the Spansion logo, and combinations thereof, WICED, PSoC, CapSense, EZ-USB, F-RAM, and Traveo are trademarks or registered trademarks of Cypress in the United States and other countries. For a more complete list of Cypress trademarks, visit [cypress.com](http://cypress.com). Other names and brands may be claimed as property of their respective owners.

## Looking for pricing, stock, or lifecycle information?

Click below to explore more details on WIN SOURCE:

 [View CY29946AXC on WIN SOURCE](#)

 [Infineon Technologies](#) Information

## Optimize Your Supply Chain with WIN SOURCE Solutions

-  Global Sourcing Solution
-  Obsolete Management
-  Cost Control Management
-  Shortage Management
-  Alternative Solution
-  Excess Inventory Management