



**THE DATASHEET OF
DG301AAA/883**





CMOS Analog Switches

(Obsolete for non-hermetic. Use DG300B Series as pin-for-pin replacements.)

FEATURES

- Analog Signal Range: $\pm 15\text{ V}$
- Fast Switching— t_{ON} : 150 ns
- Low On-Resistance— $r_{DS(on)}$: 30 Ω
- Single Supply Operation
- Latch-up Proof
- CMOS Compatible

BENEFITS

- Full Rail-to-Rail Analog Signal Range
- Low Signal Error
- Low Power Dissipation

APPLICATIONS

- Low Level Switching Circuits
- Programmable Gain Amplifiers
- Portable and Battery Powered Systems

DESCRIPTION

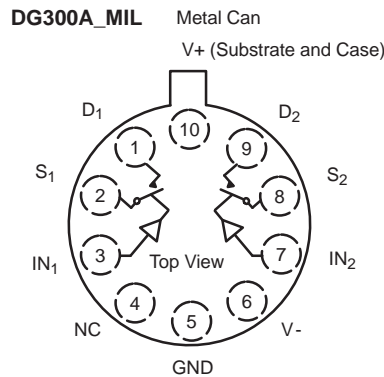
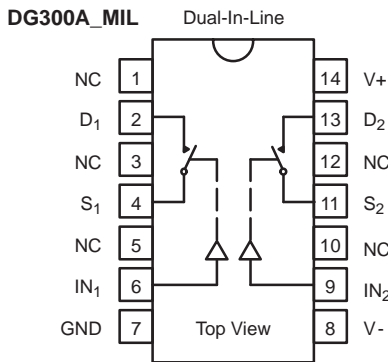
The DG300A_MIL/DG301A_MIL/DG302A_MIL monolithic CMOS switches feature three switch configuration options (SPST, SPDT, and DPST) for precision applications in communications, instrumentation and process control, where low leakage switching combined with low power consumption are required.

Designed on the Vishay Siliconix PLUS-40 CMOS process, these switches are latch-up proof, and are designed to block up to 30 V peak-to-peak when off. An epitaxial layer prevents latchup.

In the on condition the switches conduct equally well in both directions (with no offset voltage) and minimize error conditions with their low on-resistance.

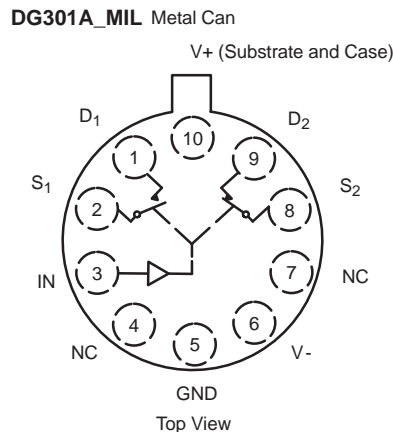
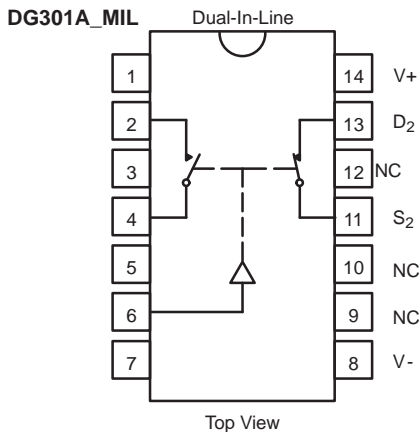
Featuring low power consumption (3.5 mW typ) these switches are ideal for battery powered applications, without sacrificing switching speed. Designed for break-before-make switching action, these devices are CMOS and quasi TTL compatible. Single supply operation is allowed by connecting the V- rail to 0 V.

FUNCTIONAL BLOCK DIAGRAM AND PIN CONFIGURATION



TRUTH TABLE	
Logic	Switch
0	OFF
1	ON

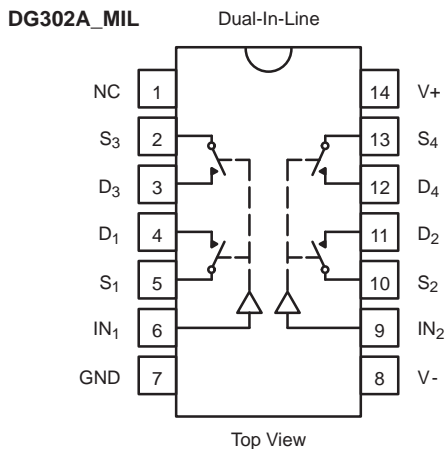
Logic "0" $\leq 0.8\text{ V}$
Logic "1" $\geq 4\text{ V}$



TRUTH TABLE		
Logic	SW ₁	SW ₂
0	OFF	ON
1	ON	OFF

Logic "0" $\leq 0.8\text{ V}$
Logic "1" $\geq 4\text{ V}$

FUNCTIONAL BLOCK DIAGRAM AND PIN CONFIGURATION



TRUTH TABLE	
Logic	Switch
0	OFF
1	ON

Logic "0" \leq 0.8 V
 Logic "1" \geq 4 V

ORDERING INFORMATION		
Temp Range	Package	Part Number
DG300A_MIL		
-55 to 125°C	14-Pin CerDIP	DG300AAK
		DG300AAK/883
		JM38510/11601BCA
	14-Pin Sidebrazed	JM38510/11601BCC
	10-Pin Metal Can	DG300AAA/883
JM38510/11601BIA		
DG301A_MIL		
-55 to 125°C	14-Pin CerDIP	DG301AAK/883
		JM38510/11602BCA
	14-Pin Sidebrazed	JM38510/11602BCC
	10-Pin Metal Can	DG301AAA
		DG301AAA/883
JM38510/11602BIA		
DG302A_MIL		
-55 to 125°C	14-Pin CerDIP	DG302AAK
		DG302AAK/883
		JM38510/11603BCA
	14-Pin Sidebrazed	JM38510/11603BCC



ABSOLUTE MAXIMUM RATINGS

Voltages Referenced to V-

V+ 44 V

GND 25 V

Digital Inputs^a, V_S, V_D (V-) -2 V to (V+) +2V or
30 mA, whichever occurs first

Current, Any Terminal 30 mA

Continuous Current, S or D

(Pulsed at 1 ms, 10% duty cycle max) 100 mA

Storage Temperature -65 to 150°C

Power Dissipation^b

14-Pin CerDIP^c 825 mW

10-Pin Metal Can^d 450 mW

Notes:

a. Signals on S_X, D_X, or I_{NX} exceeding V+ or V- will be clamped by internal diodes. Limit forward diode current to maximum current ratings.

b. All leads welded or soldered to PC Board.

c. Derate 11 mW/°C above 75°C

d. Derate 6 mW/°C above 75°C

SCHEMATIC DIAGRAM (TYPICAL CHANNEL)

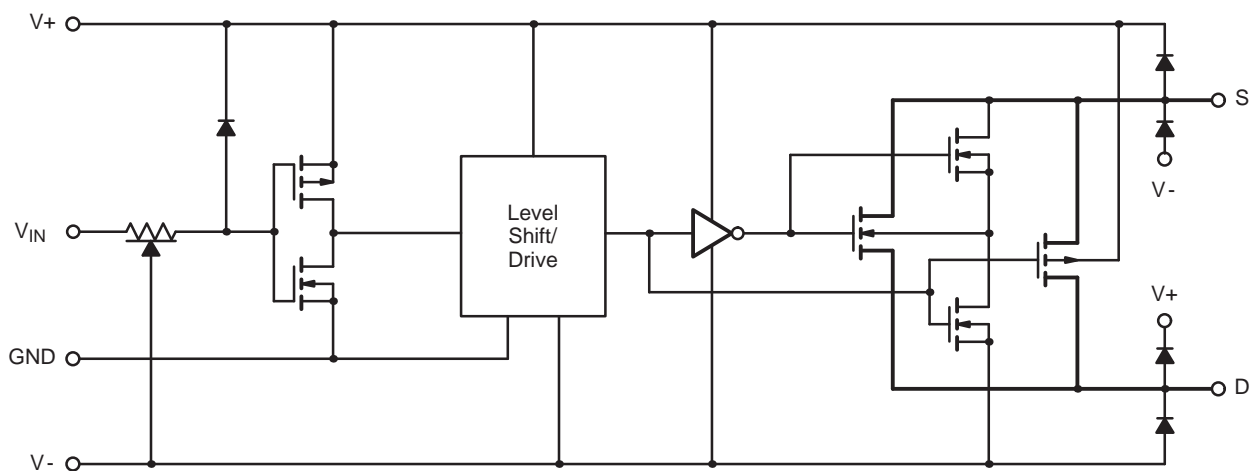


FIGURE 1.



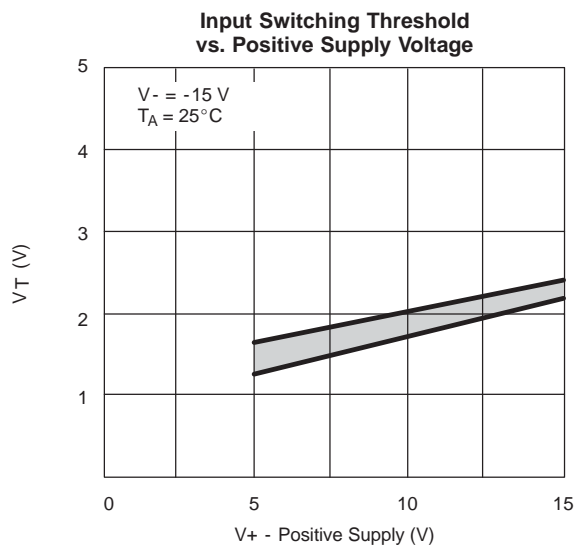
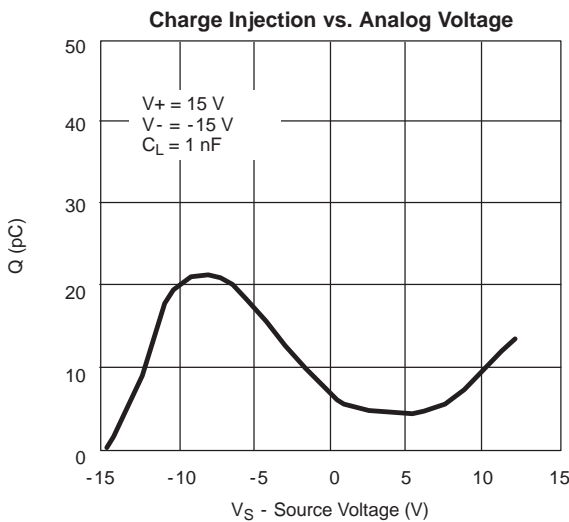
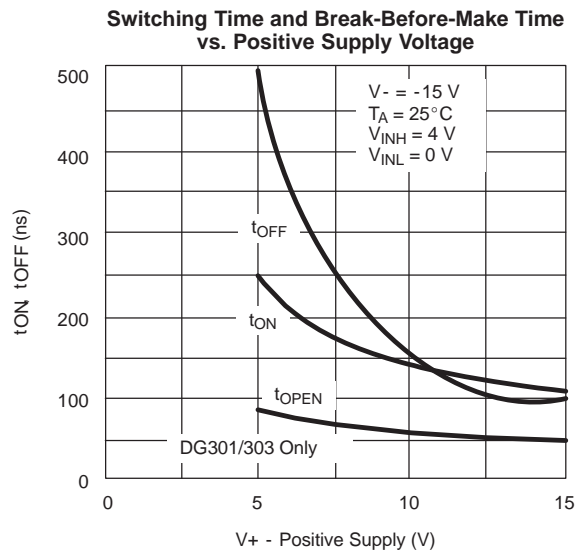
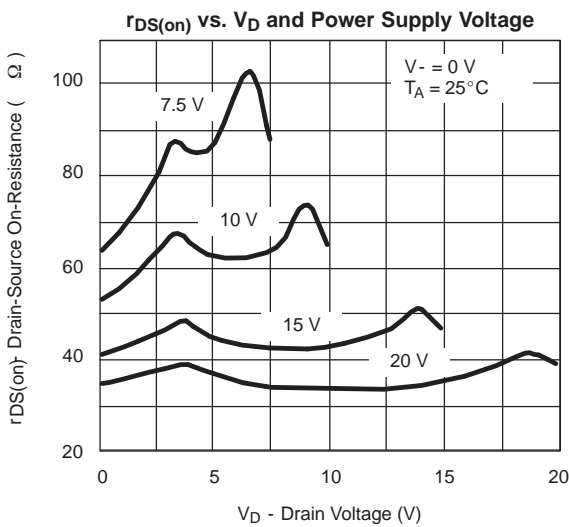
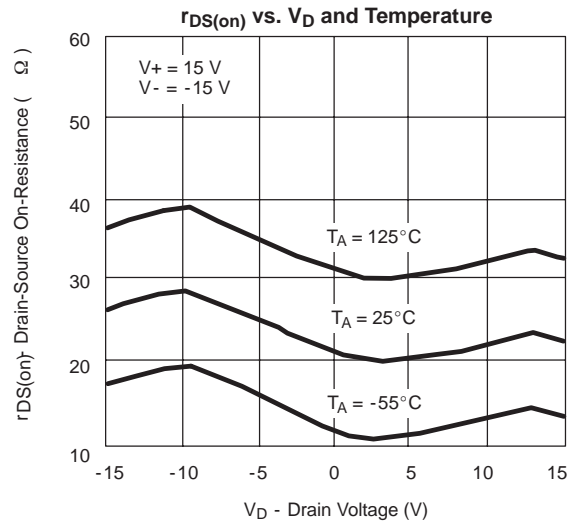
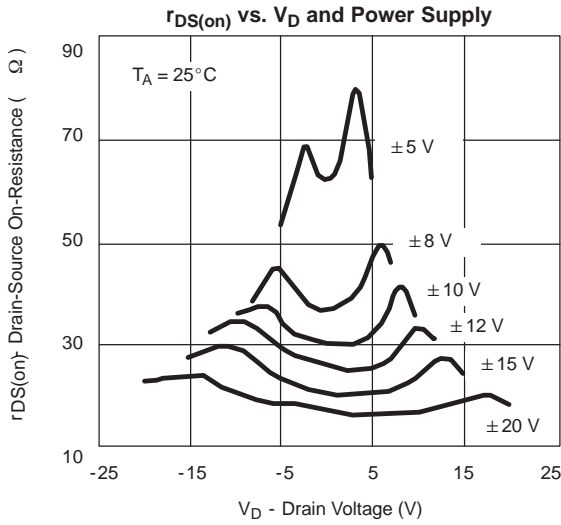
SPECIFICATIONS ^a							
Parameter	Symbol	Test Conditions Unless Specified $V_+ = 15\text{ V}$, $V_- = -15\text{ V}$ $V_{IN} = 0.8\text{ V}$ or $V_{IN} = 4\text{ V}^f$	Temp ^b	Limits			Unit
				Min ^c	Typ ^d	Max ^c	
Analog Switch							
Analog Signal Range ^e	V_{ANALOG}		Full	-15		15	V
Drain-Source On-Resistance	$r_{DS(on)}$	$V_D = \pm 10\text{ V}$, $I_S = -10\text{ mA}$	Room Full		30	50 75	Ω
Source Off Leakage Current	$I_{S(off)}$	$V_S = \pm 14\text{ V}$, $V_D = \mp 14\text{ V}$	Room Hot	-1 -100	± 0.1	1 100	nA
Drain Off Leakage Current	$I_{D(off)}$		Room Hot	-1 -100	± 0.1	1 100	
Drain On Leakage Current	$I_{D(on)}$		Room Hot	-1 -100	± 0.1	1 100	
Digital Control							
Input Current with Input Voltage High	I_{INH}	$V_{IN} = 5\text{ V}$	Room Full	-1 -1	-0.001		μA
		$V_{IN} = 15\text{ V}$	Room Full		0.001	1 1	
Input Current with Input Voltage Low	I_{INL}	$V_{IN} = 0\text{ V}$	Room Full	-1 -1	-0.001		
Dynamic Characteristics							
Turn-On Time	t_{ON}	See Figure 2	Room		150	300	ns
Turn-Off Time	t_{OFF}		Room		130	250	
Break-Before-Make Time	t_{OPEN}	DG301A_MIL Only Figure 3	Room		50		
Charge Injection	Q	$C_L = 1\text{ nF}$, $R_{gen} = 0\ \Omega$ $V_{gen} = 0\text{ V}$, Figure 4	Room		8		pC
Source-Off Capacitance	$C_{S(off)}$	V_S , $V_D = 0\text{ V}$, $f = 1\text{ MHz}$	Room		14		pF
Drain-Off Capacitance	$C_{D(off)}$		Room		14		
Channel-On Capacitance	$C_{D(on)}$		Room		40		
Input Capacitance	C_{in}	$f = 1\text{ MHz}$	$V_{IN} = 0\text{ V}$	Room		6	
			$V_{IN} = 15\text{ V}$	Room		7	
Off-Isolation	OIRR	$V_{IN} = 0\text{ V}$, $R_L = 1\text{ k}\Omega$ $V_S = 1\text{ V}_{rms}$, $f = 500\text{ kHz}$	Room		62		dB
Crosstalk (Channel-to-Channel)	X_{TALK}		Room		74		
Power Supplies							
Positive Supply Current	I_+	$V_{IN} = 4\text{ V}$ (One Input) All Others = 0 V	Room Full		0.23	0.5 1	mA
Negative Supply Current	I_-		Room Full	-10 -100	-0.001		
Positive Supply Current	I_+	$V_{IN} = 0.8\text{ V}$ (All Inputs)	Room Full		0.001	10 100	μA
Negative Supply Current	I_-		Room Full	-10 -100	-0.001		

Notes:

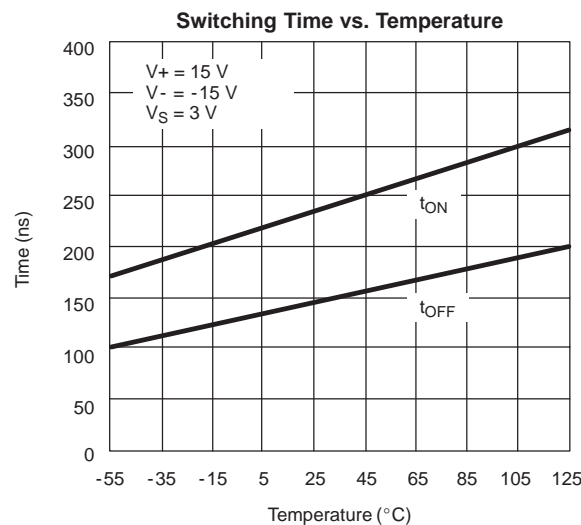
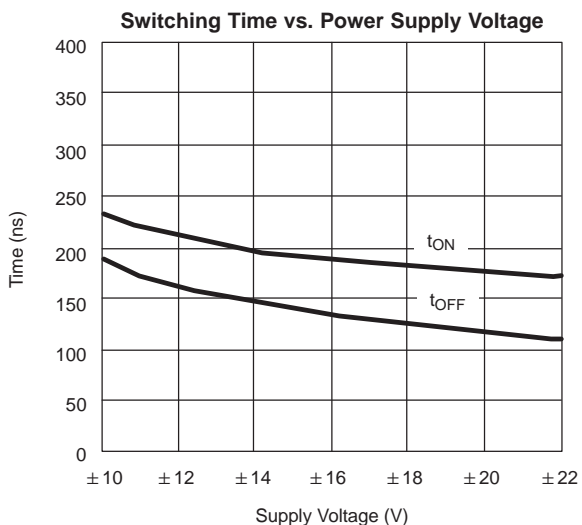
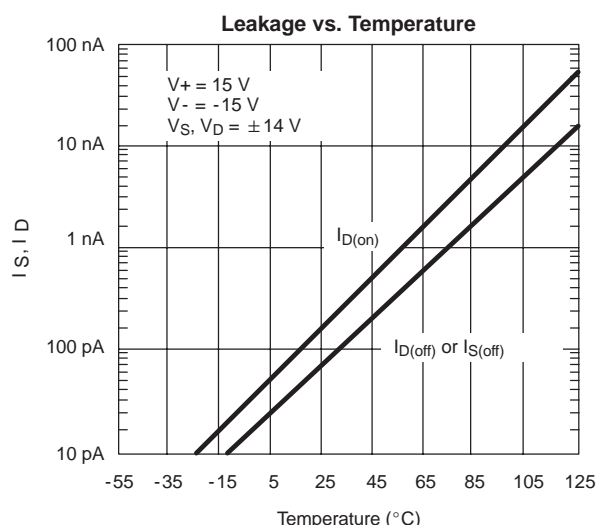
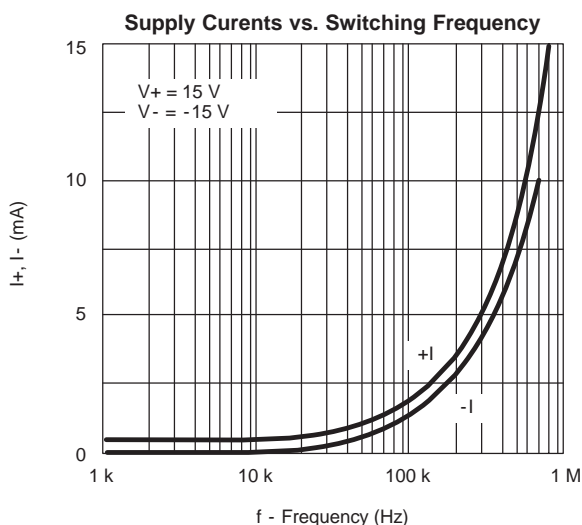
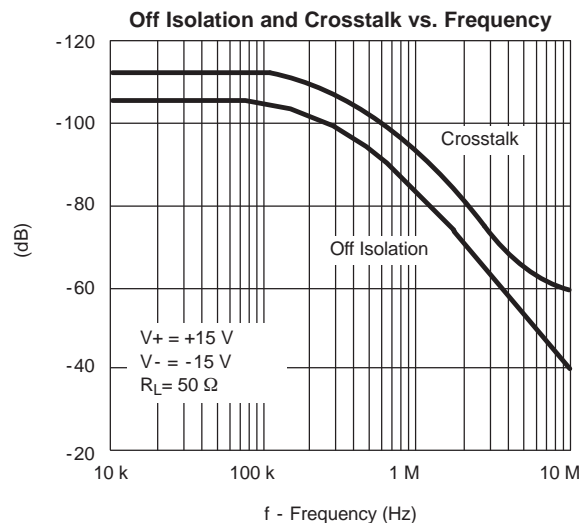
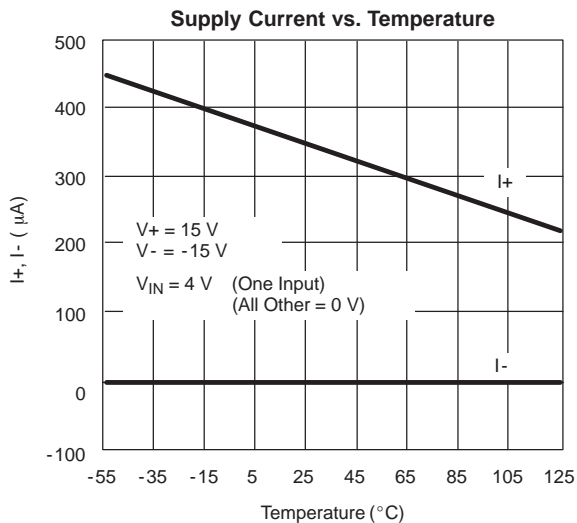
- Refer to PROCESS OPTION FLOWCHART.
- Room = 25°C, Full = as determined by the operating temperature suffix.
- The algebraic convention whereby the most negative value is a minimum and the most positive a maximum, is used in this data sheet.
- Typical values are for DESIGN AID ONLY, not guaranteed nor subject to production testing.
- Guaranteed by design, not subject to production test.
- V_{IN} = input voltage to perform proper function.



TYPICAL CHARACTERISTICS (25°C UNLESS NOTED)



TYPICAL CHARACTERISTICS (25°C UNLESS NOTED)



TEST CIRCUITS

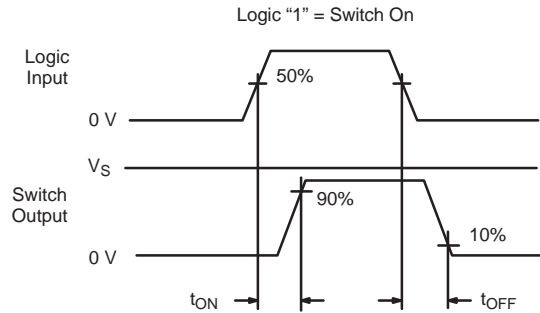
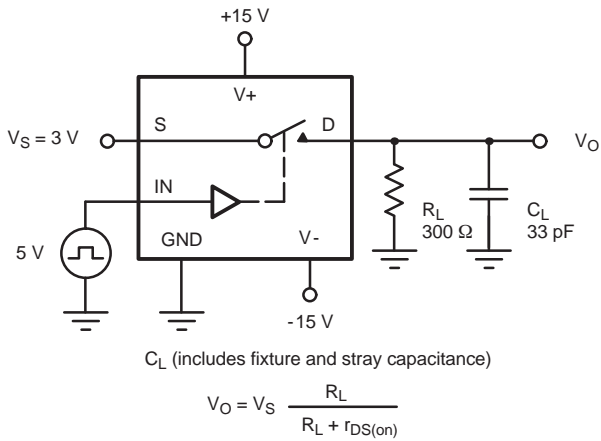


FIGURE 2. Switching Time

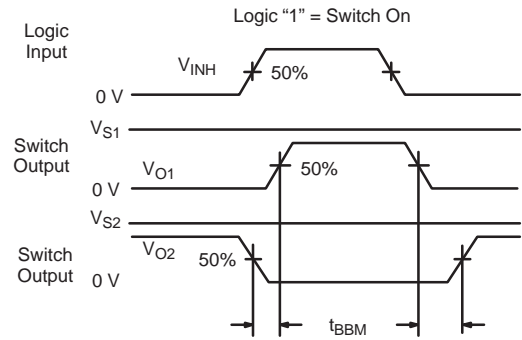
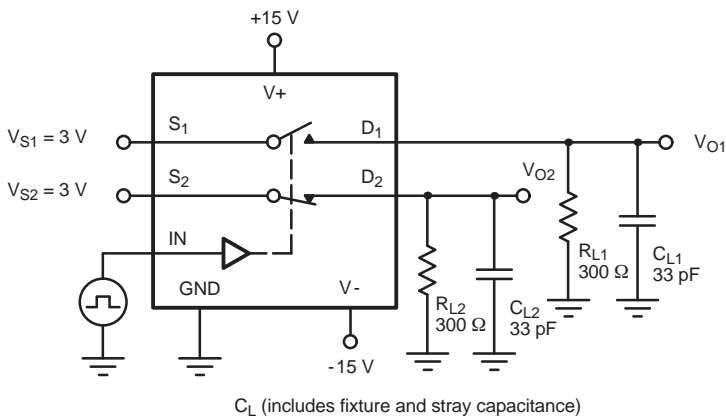


FIGURE 3. Break-Before-Make SPDT (DG301A_MIL)

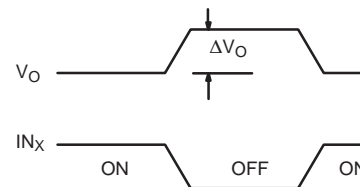
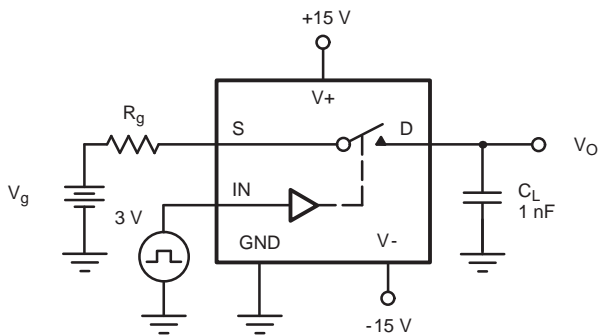


FIGURE 4. Charge Injection

APPLICATION HINTS ^a				
V+ Positive Supply Voltage (V)	V- Negative Supply Voltage (V)	GND Voltage (V)	V _{IN} Logic Input Voltage V _{INH(min)} /V _{INL(max)} (V)	V _S or V _D Analog Voltage Range (V)
15	-15	0	4/0.8	-15 to 15
20	-20	0	4/0.8	-20 to 20
15	0	0	4/0.8	0 to 15

Note:

a. Application Hints are for DESIGN AID ONLY, not guaranteed and not subject to production testing.

APPLICATIONS

The DG300A_MIL series of analog switches will switch positive analog signals while using a single positive supply. This facilitates their use in applications where only one supply is available. The trade-offs of using single supplies are:

1) Increased $r_{DS(on)}$; 2) slower switching speed. The analog voltage should not go above or below the supply voltages which in single operation are V+ and 0 V. (See Input Switching Threshold vs. Positive Supply Voltage Curve.)

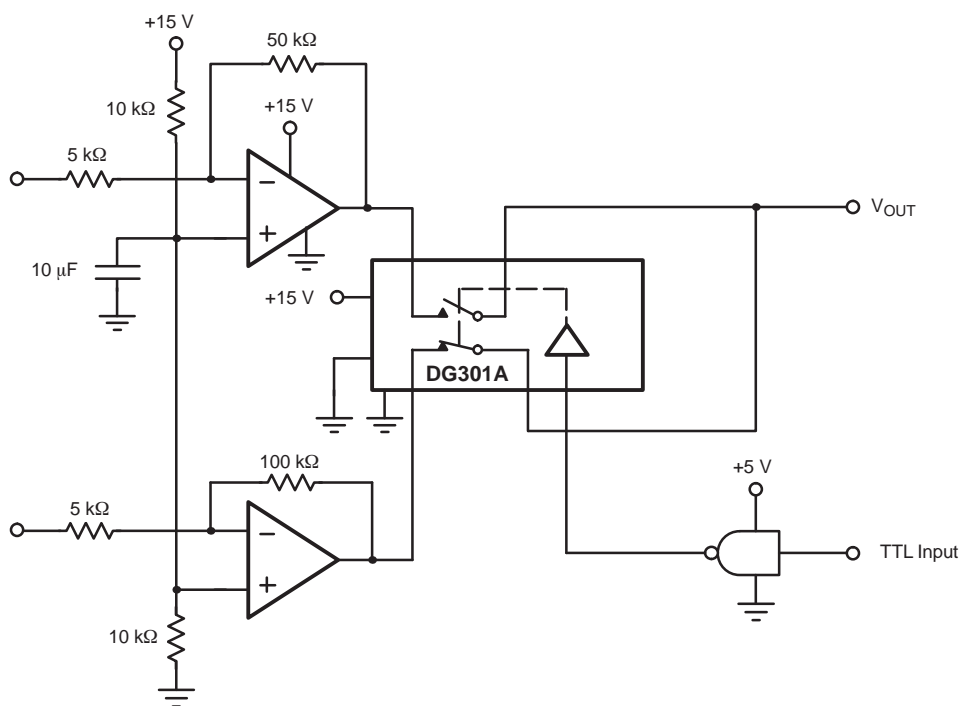


FIGURE 5. Single Supply Op Amp Switching

APPLICATIONS

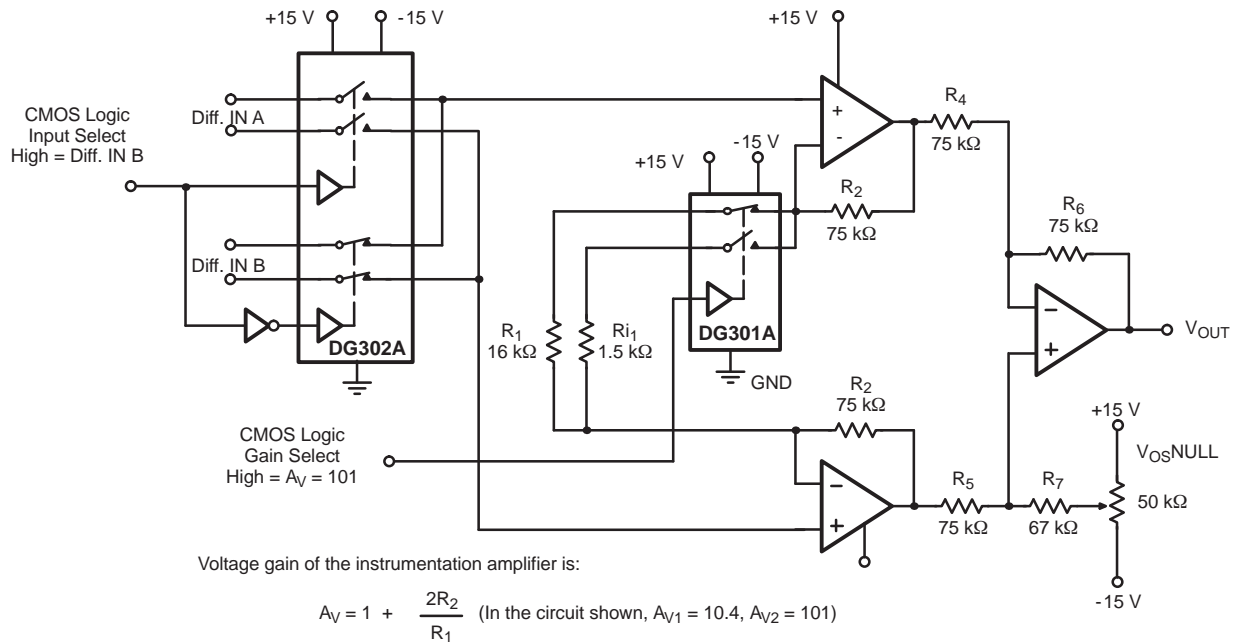


FIGURE 6. Low Power Instrumentation Amplifier with Digitally Selectable Inputs and Gain



Disclaimer

All product specifications and data are subject to change without notice.

Vishay Intertechnology, Inc., its affiliates, agents, and employees, and all persons acting on its or their behalf (collectively, "Vishay"), disclaim any and all liability for any errors, inaccuracies or incompleteness contained herein or in any other disclosure relating to any product.

Vishay disclaims any and all liability arising out of the use or application of any product described herein or of any information provided herein to the maximum extent permitted by law. The product specifications do not expand or otherwise modify Vishay's terms and conditions of purchase, including but not limited to the warranty expressed therein, which apply to these products.

No license, express or implied, by estoppel or otherwise, to any intellectual property rights is granted by this document or by any conduct of Vishay.

The products shown herein are not designed for use in medical, life-saving, or life-sustaining applications unless otherwise expressly indicated. Customers using or selling Vishay products not expressly indicated for use in such applications do so entirely at their own risk and agree to fully indemnify Vishay for any damages arising or resulting from such use or sale. Please contact authorized Vishay personnel to obtain written terms and conditions regarding products designed for such applications.

Product names and markings noted herein may be trademarks of their respective owners.

Looking for pricing, stock, or lifecycle information?

Click below to explore more details on WIN SOURCE:

 [View DG301AAA/883 on WIN SOURCE](#)

 [Vishay Information](#)

Optimize Your Supply Chain with WIN SOURCE Solutions

-  Global Sourcing Solution
-  Obsolete Management
-  Cost Control Management
-  Shortage Management
-  Alternative Solution
-  Excess Inventory Management