



**THE DATASHEET OF  
DM74AS874WM**



# DM74AS874

## Dual 4-Bit D-Type Edge-Triggered Flip-Flop

### General Description

These dual 4-bit inverting registers feature totem-pole 3-STATE outputs designed specifically for driving highly-capacitive or relatively low-impedance loads. The high-impedance state and increased high-logic-level drive provide these registers with the capability of being connected directly to and driving the bus lines in a bus-organized system without need for interface or pull-up components. They are particularly attractive for implementing buffer registers, I/O ports, bidirectional bus drivers, and working registers.

The eight flip-flops of the DM74AS874 are edge-triggered D-type flip-flops. On the positive transition of the clock, the Q outputs will be set to the logic states that were set up at the D inputs.

A buffered output control input can be used to place the eight outputs in either a normal logic state (HIGH or LOW logic levels) or a high-impedance state. In the high-impedance state the outputs neither load nor drive the bus lines significantly.

The output control does not affect the internal operation of the flip-flops. That is, the old data can be retained or new data can be entered even while the outputs are OFF.

The pinout is arranged to ease printed circuit board layout. All data inputs are on one side of the package, while all outputs are on the other side.

### Features

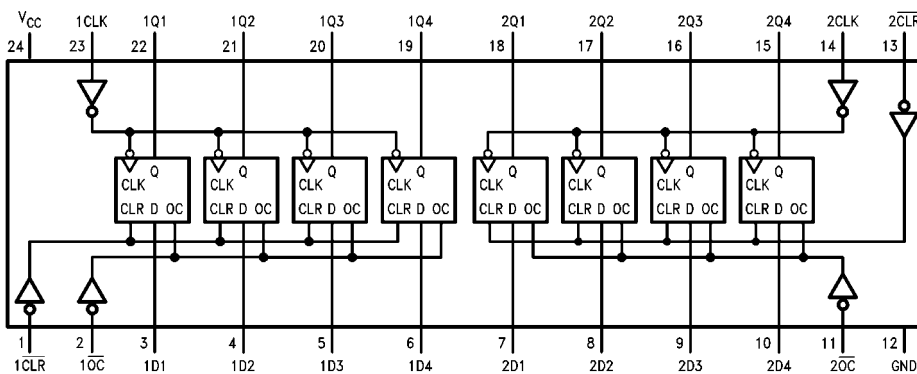
- Switching specifications at 50 pF
- Switching specifications guaranteed over full temperature and  $V_{CC}$  range
- Advanced oxide-isolated, ion-implanted Schottky TTL process
- 3-STATE buffer-type outputs drive bus lines directly
- Space saving 300 mil wide package
- Bus structured pinout

### Ordering Code:

Order Number	Package Number	Package Description
DM74AS874WM	M24B	24-Lead Small Outline Integrated Circuit (SOIC), JEDEC MS-013, 0.300" Wide
DM74AS874NT	N24C	24-Lead Plastic Dual-In-Line Package (PDIP), JEDEC MS-001, 0.300" Wide

Devices also available in Tape and Reel. Specify by appending the suffix letter "X" to the ordering code.

### Connection Diagram

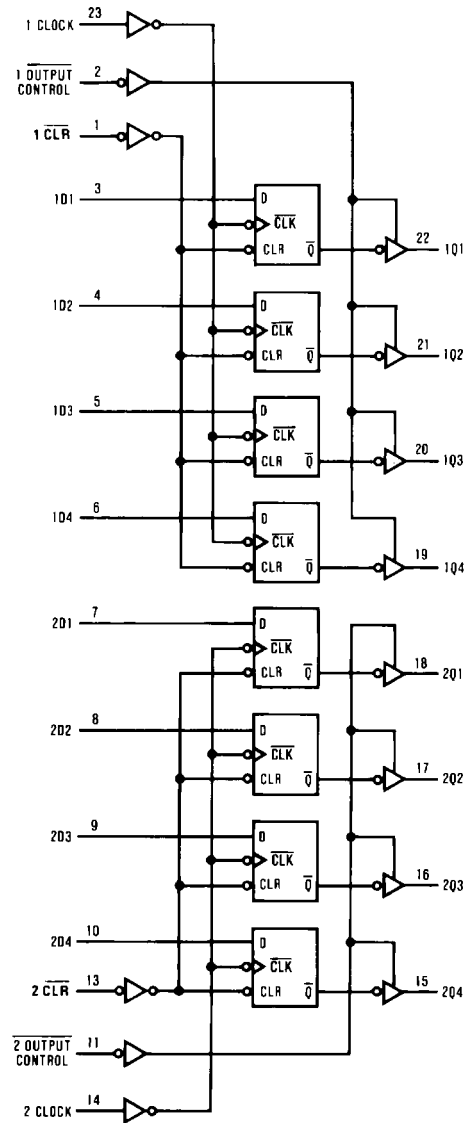


### Function Table

Inputs				Output
$\overline{\text{CLR}}$	D	CLK	$\overline{\text{OC}}$	Q
X	X	X	H	Z
L	X	X	L	L
H	H	↑	L	H
H	L	↑	L	L
H	X	L	L	Q <sub>0</sub>

L = LOW State  
 H = HIGH State  
 X = Don't Care  
 ↑ = Positive Edge Transition  
 Z = High Impedance State  
 Q<sub>0</sub> = Previous Condition of Q

### Logic Diagram



**Absolute Maximum Ratings**(Note 1)

Supply Voltage	7V
Input Voltage	7V
Voltage Applied to Disabled Output	5.5V
Operating Free Air Temperature Range	0°C to +70°C
Storage Temperature Range	-65°C to +150°C
Typical $\theta_{JA}$	
N Package	47.0°C/W

**Note 1:** The "Absolute Maximum Ratings" are those values beyond which the safety of the device cannot be guaranteed. The device should not be operated at these limits. The parametric values defined in the Electrical Characteristics tables are not guaranteed at the absolute maximum ratings. The "Recommended Operating Conditions" table will define the conditions for actual device operation.

**Recommended Operating Conditions**

Symbol	Parameter	Min	Nom	Max	Units
$V_{CC}$	Supply Voltage	4.5	5	5.5	V
$V_{IH}$	HIGH Level Input Voltage	2			V
$V_{IL}$	LOW Level Input Voltage			0.8	V
$I_{OH}$	HIGH Level Output Current			-15	mA
$I_{OL}$	LOW Level Output Current			48	mA
$f_{CLK}$	Clock Frequency	0		80	MHz
$t_{WCLK}$	Width of Clock Pulse	HIGH	3		ns
		LOW	6		
$t_{WCLR}$	Width of Clear Pulse	LOW	2		ns
$t_{SU}$	Setup Time (Note 2)	Data	4 $\uparrow$		ns
		Clear Inactive	5 $\uparrow$		
$t_H$	Data Hold Time (Note 2)		1 $\uparrow$		ns
$T_A$	Free Air Operating Temperature	0		70	°C

**Note 2:** The ( $\uparrow$ ) arrow indicates the positive edge of the Clock is used for reference.

**Electrical Characteristics**

over recommended operating free air temperature range. All typical values are measured at  $V_{CC} = 5V$ ,  $T_A = 25^\circ C$ .

Symbol	Parameter	Conditions	Min	Typ	Max	Units
$V_{IK}$	Input Clamp Voltage	$V_{CC} = 4.5V$ , $I_I = -18$ mA			-1.2	V
$V_{OH}$	HIGH Level Output Voltage	$V_{CC} = 4.5V$ , $V_{IL} = V_{IL}$ Max, $I_{OH} =$ Max	2.4	3.3		V
		$I_{OH} = -2$ mA, $V_{CC} = 4.5V$ to $5.5V$	$V_{CC} - 2$			
$V_{OL}$	LOW Level Output Voltage	$V_{CC} = 4.5V$ , $V_{IH} = 2V$ , $I_{OL} =$ Max		0.35	0.5	V
$I_I$	Input Current at Max Input Voltage	$V_{CC} = 5.5V$ , $V_{IH} = 7V$			0.1	mA
$I_{IH}$	HIGH Level Input Current	$V_{CC} = 5.5V$ , $V_{IH} = 2.7V$			20	$\mu A$
$I_{IL}$	LOW Level Input Current	$V_{CC} = 5.5V$ , $V_{IL} = 0.4V$			-0.5	mA
$I_O$ (Note 3)	Output Drive Current	$V_{CC} = 5.5V$ , $V_O = 2.25V$	-30		-112	mA
$I_{OZH}$	OFF-State Output Current, HIGH Level Voltage Applied	$V_{CC} = 5.5V$ , $V_{IH} = 2V$ , $V_O = 2.7V$ ,			50	$\mu A$
$I_{OZL}$	OFF-State Output Current, LOW Level Voltage Applied	$V_{CC} = 5.5V$ , $V_{IH} = 2V$ , $V_O = 0.4V$			-50	$\mu A$
$I_{CC}$	Supply Current	$V_{CC} = 5.5V$ Outputs OPEN	Outputs HIGH	82	133	mA
			Outputs LOW	92	149	
			Outputs Disabled	100	160	

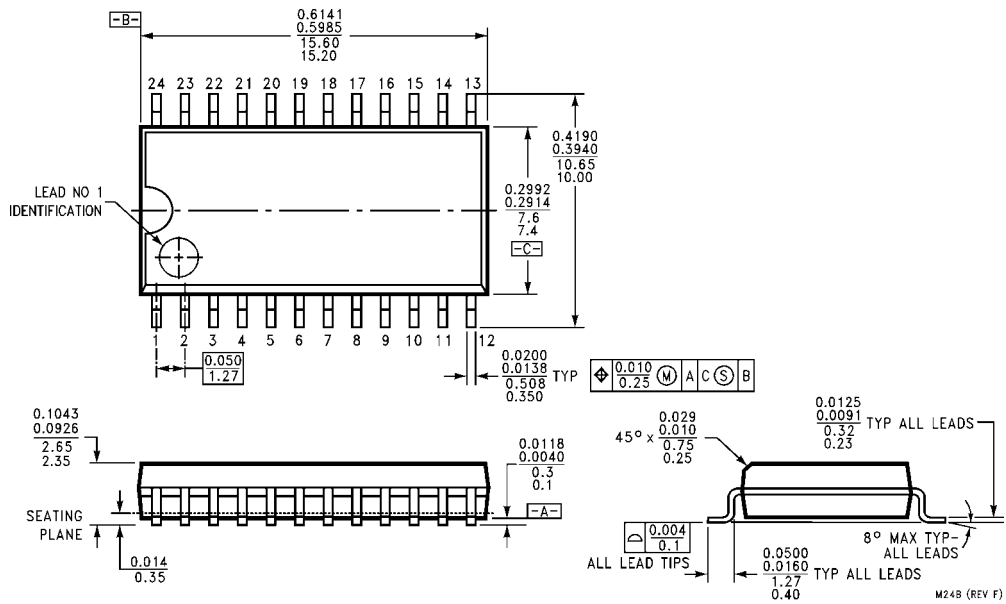
**Note 3:** The output conditions have been chosen to produce a current that closely approximates one-half of the true short-circuit current,  $I_{OS}$ .

## Switching Characteristics

over recommended operating free air temperature range

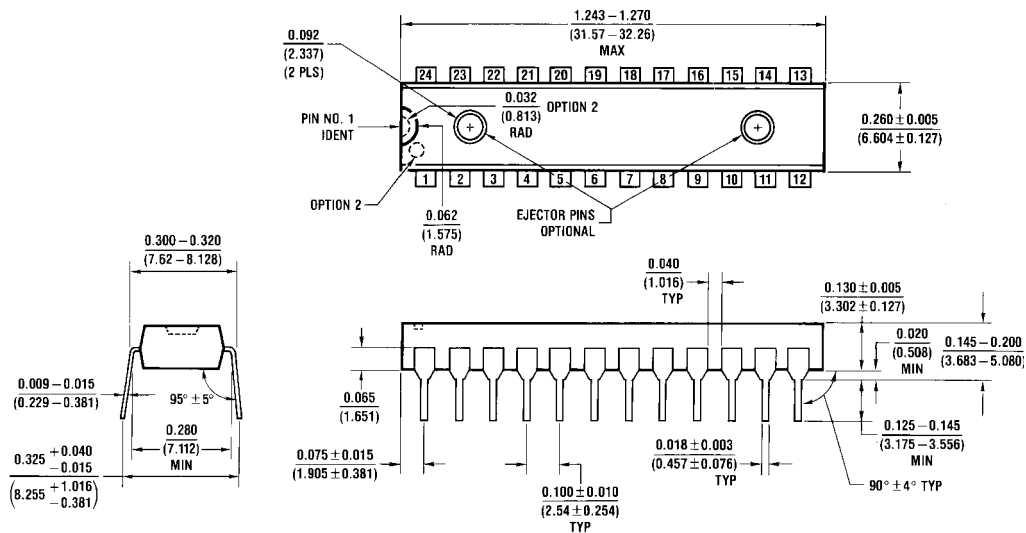
Symbol	Parameter	Conditions	From	To	Min	Max	Units
$f_{MAX}$	Maximum Clock Frequency	$V_{CC} = 4.5V$ to $5.5V$			80		MHz
$t_{PLH}$	Propagation Delay Time LOW-to-HIGH Level Output	$R_L = 500\Omega$ $C_L = 50$ pF	Clock	Any Q	3	8.5	ns
$t_{PHL}$	Propagation Delay Time HIGH-to-LOW Level Output		Clock	Any Q	4	10.5	ns
$t_{PZH}$	Output Enable Time to HIGH Level Output		Output Control	Any Q	2	7	ns
$t_{PZL}$	Output Enable Time to LOW Level Output		Output Control	Any Q	3	10.5	ns
$t_{PHZ}$	Output Disable Time from HIGH Level Output		Output Control	Any Q	2	6	ns
$t_{PLZ}$	Output Disable Time from LOW Level Output		Output Control	Any Q	2	7.5	ns
$t_{PHL}$	Propagation Delay Time HIGH-to-LOW Level Output		Clear	Any Q	4	11.5	ns

**Physical Dimensions** inches (millimeters) unless otherwise noted



**24-Lead Small Outline Integrated Circuit (SOIC), JEDEC MS-013, 0.300" Wide  
Package Number M24B**

**Physical Dimensions** inches (millimeters) unless otherwise noted (Continued)



N24C (REV F)

**24-Lead Plastic Dual-In-Line Package (PDIP), JEDEC MS-001, 0.300" Wide Package Number N24C**

Fairchild does not assume any responsibility for use of any circuitry described, no circuit patent licenses are implied and Fairchild reserves the right at any time without notice to change said circuitry and specifications.

**LIFE SUPPORT POLICY**

FAIRCHILD'S PRODUCTS ARE NOT AUTHORIZED FOR USE AS CRITICAL COMPONENTS IN LIFE SUPPORT DEVICES OR SYSTEMS WITHOUT THE EXPRESS WRITTEN APPROVAL OF THE PRESIDENT OF FAIRCHILD SEMICONDUCTOR CORPORATION. As used herein:

1. Life support devices or systems are devices or systems which, (a) are intended for surgical implant into the body, or (b) support or sustain life, and (c) whose failure to perform when properly used in accordance with instructions for use provided in the labeling, can be reasonably expected to result in a significant injury to the user.
2. A critical component in any component of a life support device or system whose failure to perform can be reasonably expected to cause the failure of the life support device or system, or to affect its safety or effectiveness.

[www.fairchildsemi.com](http://www.fairchildsemi.com)

## Looking for pricing, stock, or lifecycle information?

Click below to explore more details on WIN SOURCE:

 [View DM74AS874WM on WIN SOURCE](#)

 [Fairchild/ON Semiconductor Information](#)

## Optimize Your Supply Chain with WIN SOURCE Solutions

-  Global Sourcing Solution
-  Obsolete Management
-  Cost Control Management
-  Shortage Management
-  Alternative Solution
-  Excess Inventory Management