



THE DATASHEET OF INA206AIPW



INA20x Unidirectional Measurement Current-Shunt Monitor With Dual Comparators

1 Features

- Complete Current Sense Solution
- Three Gain Options Available:
 - INA206 = 20 V/V
 - INA207 = 50 V/V
 - INA208 = 100 V/V
- Dual Comparators:
 - Comparator 1 With Latch
 - Comparator 2 With Optional Delay
- Common-mode Range: –16 V to 80 V
- High Accuracy: 3.5% (Maximum) Over Temperature
- Bandwidth: 500 kHz
- Quiescent Current: 1.8 mA
- Packages: SO-14, TSSOP-14, VSSOP-10

2 Applications

- Notebook Computers
- Cell Phones
- Telecom Equipment
- Automotive
- Power Management
- Battery Chargers
- Welding Equipment

3 Description

The INA206, INA207, and INA208 are a family of unidirectional current-shunt monitors with voltage output, dual comparators, and voltage reference. The INA206, INA207, and INA208 can sense drops across shunts at a common-mode voltages from –16 V to 80 V. The INA206, INA207, and INA208 are available with three output voltage scales: 20 V/V, 50 V/V, and 100 V/V, with up to 500-kHz bandwidth.

The INA206, INA207, and INA208 also incorporates two open-drain comparators with internal 0.6-V references. On 14-pin versions, the comparator references can be overridden by external inputs. Comparator 1 includes a latching capability, and Comparator 2 has a user-programmable delay on 14-pin versions. The 14-pin versions also provide a 1.2 V reference output.

The INA206, INA207, and INA208 operate from a single 2.7-V to 18-V supply. They are specified over the extended operating temperature range of –40°C to 125°C.

Device Information (1)

| PART NUMBER | PACKAGE | BODY SIZE (NOM) |
|-------------|------------|-------------------|
| INA206 | SOIC (14) | 8.65 mm × 3.91 mm |
| INA207 | TSSOP (14) | 5.00 mm × 4.40 mm |
| INA208 | VSSOP (10) | 3.00 mm × 3.00 mm |

(1) For all available packages, see the orderable addendum at the end of the data sheet.

Simplified Schematic

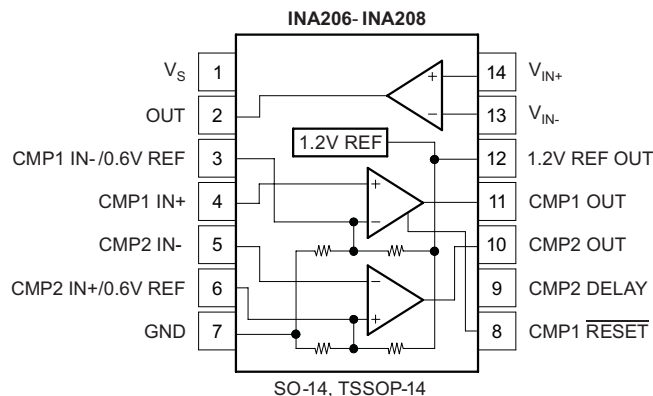


Table of Contents

| | | | |
|---|-----------|--|-----------|
| 1 Features | 1 | 8.2 Functional Block Diagram | 15 |
| 2 Applications | 1 | 8.3 Feature Description..... | 15 |
| 3 Description | 1 | 8.4 Device Functional Modes..... | 19 |
| 4 Revision History | 2 | 9 Application and Implementation | 22 |
| 5 Device Comparison Table | 3 | 9.1 Application Information..... | 22 |
| 6 Pin Configuration and Functions | 3 | 9.2 Typical Application | 22 |
| 7 Specifications | 5 | 10 Power Supply Recommendations | 25 |
| 7.1 Absolute Maximum Ratings | 5 | 11 Layout | 26 |
| 7.2 ESD Ratings..... | 5 | 11.1 Layout Guidelines | 26 |
| 7.3 Recommended Operating Conditions..... | 5 | 11.2 Layout Example | 26 |
| 7.4 Thermal Information | 5 | 12 Device and Documentation Support | 27 |
| 7.5 Electrical Characteristics: Current-Shunt Monitor | 6 | 12.1 Related Links | 27 |
| 7.6 Electrical Characteristics: Comparator..... | 7 | 12.2 Community Resources..... | 27 |
| 7.7 Electrical Characteristics: Reference | 8 | 12.3 Trademarks | 27 |
| 7.8 Electrical Characteristics: General..... | 8 | 12.4 Electrostatic Discharge Caution..... | 27 |
| 7.9 Typical Characteristics | 10 | 12.5 Glossary | 27 |
| 8 Detailed Description | 15 | 13 Mechanical, Packaging, and Orderable Information | 27 |
| 8.1 Overview | 15 | | |

4 Revision History

NOTE: Page numbers for previous revisions may differ from page numbers in the current version.

Changes from Revision E (October 2007) to Revision F

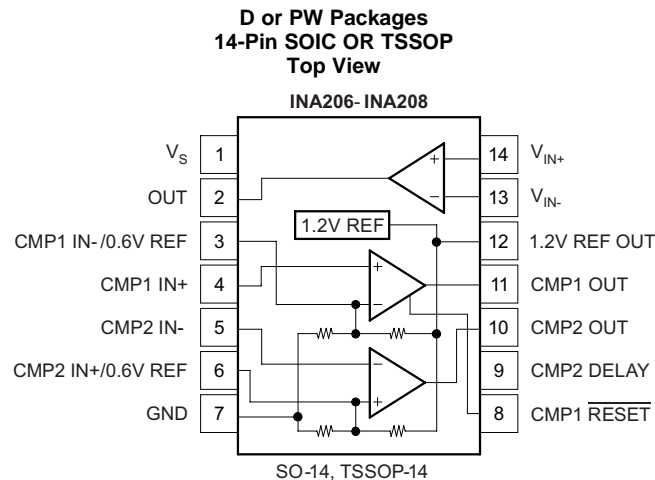
Page

- ESD Ratings table, Feature Description section, Device Functional Modes, Application and Implementation section, Power Supply Recommendations section, Layout section, Device and Documentation Support section, and Mechanical, Packaging, and Orderable Information section **1**

5 Device Comparison Table

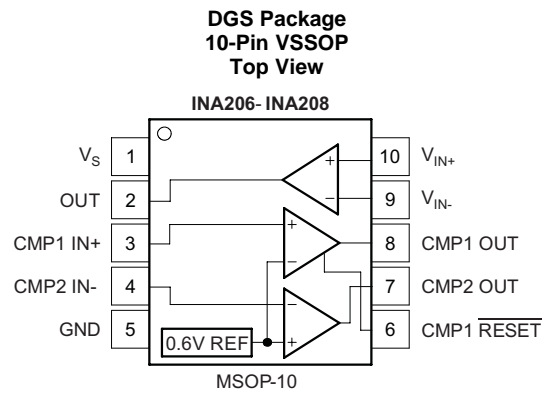
| DEVICE | GAIN |
|--------|---------|
| INA206 | 20 V/V |
| INA207 | 50 V/V |
| INA208 | 100 V/V |

6 Pin Configuration and Functions



Pin Functions: SOIC and TSSOP

| PIN | | I/O | DESCRIPTION |
|-----|----------------------|-----|---|
| NO. | NAME | | |
| 1 | V _s | I | Power Supply |
| 2 | OUT | O | Output voltage |
| 3 | CMP1 IN- /0.6V Ref | I | Comparator 1 negative input, can be used to override the internal 0.6-V reference |
| 4 | CMP1 IN+ | I | Comparator 1 positive input |
| 5 | CMP2 IN- | I | Comparator 2 negative input |
| 6 | CMP2 IN+ /0.6V Ref | I | Comparator 2 positive input, can be used to override the internal 0.6-V reference |
| 7 | GND | I | Ground |
| 8 | <u>CMP1</u> RESET | I | Comparator 1 output reset, active low |
| 9 | CMP2 DELAY | I | Connect an optional capacitor to adjust comparator 2 delay |
| 10 | CMP2 OUT | O | Comparator 2 output |
| 11 | CMP1 OUT | O | Comparator 1 output |
| 12 | 1.2V REF OUT | O | 1.2-V reference output |
| 13 | V _{IN-} | I | Connect to shunt low side |
| 14 | V _{IN+} | I | Connect to shunt high side |


Pin Functions: VSSOP

| PIN | | I/O | DESCRIPTION |
|-----|-----------------------|-----|---------------------------------------|
| NO. | NAME | | |
| 1 | V _s | I | Power Supply |
| 2 | OUT | O | Output voltage |
| 3 | CMP1 IN+ | I | Comparator 1 positive input |
| 4 | CMP2 IN- | I | Comparator 2 negative input |
| 5 | GND | I | Ground |
| 6 | <u>CMP1 RESET</u> | I | Comparator 1 output reset, active low |
| 7 | CMP2 OUT | O | Comparator 2 output |
| 8 | CMP1 OUT | O | Comparator 1 output |
| 9 | V _{IN-} | I | Connect to shunt low side |
| 10 | V _{IN+} | I | Connect to shunt high side |

7 Specifications

7.1 Absolute Maximum Ratings

over operating free-air temperature range (unless otherwise noted) ⁽¹⁾

| | | MIN | MAX | UNIT |
|---|--------------------------------------|-----------|---------------|------|
| Supply voltage, V_s | | | 18 | V |
| Current-shunt monitor analog inputs, V_{IN+} and V_{IN-} | Differential ($V_{IN+} - V_{IN-}$) | -18 | 18 | V |
| | Common-Mode | -16 | 80 | V |
| Comparator analog input and reset pins | | GND - 0.3 | $(V_s) + 0.3$ | V |
| Analog output, out pin | | GND - 0.3 | $(V_s) + 0.3$ | V |
| Comparator output, out pin | | GND - 0.3 | 18 | V |
| V_{REF} and CMP2 delay pin | | GND - 0.3 | 10 | V |
| Input current into any pin | | | 5 | mA |
| Operating temperature | | -55 | 150 | °C |
| Junction temperature | | -65 | 150 | °C |
| Storage temperature, T_{stg} | | -65 | 150 | °C |

- (1) Stresses beyond those listed under *Absolute Maximum Ratings* may cause permanent damage to the device. These are stress ratings only, which do not imply functional operation of the device at these or any other conditions beyond those indicated under *Recommended Operating Conditions*. Exposure to absolute-maximum-rated conditions for extended periods may affect device reliability.

7.2 ESD Ratings

| | | VALUE | UNIT |
|-------------------------------------|--|-------|------|
| $V_{(ESD)}$ Electrostatic discharge | Human body model (HBM), per ANSI/ESDA/JEDEC JS-001 ⁽¹⁾ | ±4000 | V |
| | Charged device model (CDM), per JEDEC specification JESD22-C101 ⁽²⁾ | ±500 | |

- (1) JEDEC document JEP155 states that 500-V HBM allows safe manufacturing with a standard ESD control process.
 (2) JEDEC document JEP157 states that 250-V CDM allows safe manufacturing with a standard ESD control process.

7.3 Recommended Operating Conditions

over operating free-air temperature range (unless otherwise noted)

| | MIN | NOM | MAX | UNIT |
|--------------------------------------|-----|-----|-----|------|
| V_{cm} Common-mode input voltage | -16 | 12 | 80 | V |
| V_s Operating supply voltage | 2.7 | 12 | 18 | V |
| T_A Operating free-air temperature | -40 | 25 | 125 | °C |

7.4 Thermal Information

| THERMAL METRIC ⁽¹⁾ | INA20x | | | UNIT |
|---|----------|-------------|------------|------|
| | D (SOIC) | DGS (VSSOP) | PW (TSSOP) | |
| | 14 PINS | 10 PINS | 14 PINS | |
| $R_{\theta JA}$ Junction-to-ambient thermal resistance | 84.9 | 161.3 | 112.6 | °C/W |
| $R_{\theta JC(top)}$ Junction-to-case (top) thermal resistance | 44 | 36.8 | 37.2 | °C/W |
| $R_{\theta JB}$ Junction-to-board thermal resistance | 39.4 | 82.3 | 55.4 | °C/W |
| Ψ_{JT} Junction-to-top characterization parameter | 10.3 | 1.3 | 2.7 | °C/W |
| Ψ_{JB} Junction-to-board characterization parameter | 39.1 | 80.8 | 54.7 | °C/W |
| $R_{\theta JC(bot)}$ Junction-to-case (bottom) thermal resistance | 150 | 200 | 150 | °C/W |

- (1) For more information about traditional and new thermal metrics, see the *Semiconductor and IC Package Thermal Metrics* application report, [SPRA953](#).

7.5 Electrical Characteristics: Current-Shunt Monitor

At $T_A = 25^\circ\text{C}$, $V_S = 12\text{ V}$, $V_{IN+} = 12\text{ V}$, $V_{SENSE} = 100\text{ mV}$, $R_L = 10\text{ k}\Omega$ to GND, $R_{PULL-UP} = 5.1\text{ k}\Omega$ each connected from CMP1 OUT and CMP2 OUT to V_S , and CMP1 IN+ = 1 V and CMP2 IN- = GND, unless otherwise noted.

| PARAMETERS | | TEST CONDITIONS | MIN | TYP | MAX | UNIT |
|---|--|--|---|---------------------|----------------------------|------------------------------|
| INPUT | | | | | | |
| V_{SENSE} | Full-scale sense input voltage | $V_{SENSE} = V_{IN+} - V_{IN-}$ | | 0.15 | $(V_S - 0.25)/\text{Gain}$ | V |
| V_{CM} | Common-mode input range | $T_A = -40^\circ\text{C}$ to 125°C | -16 | | 80 | V |
| CMRR | Common-mode rejection ratio | $V_{IN+} = -16\text{ V}$ to 80 V | 80 | 100 | | dB |
| | Common-mode rejection ratio over temperature | $V_{IN+} = 12\text{ V}$ to 80 V , $T_A = -40^\circ\text{C}$ to 125°C | 100 | | 123 | dB |
| V_{OS} | Offset voltage RTI ⁽¹⁾ | $T_A = 25^\circ\text{C}$ | | ± 0.5 | ± 2.5 | mV |
| | | $T_A = 25^\circ\text{C}$ to 125°C | | | ± 3 | |
| | | $T_A = -40^\circ\text{C}$ to 25°C | | | ± 3.5 | |
| dV_{OS}/dT | Offset voltage RTI vs temperature | $T_A = -40^\circ\text{C}$ to 125°C | | 5 | | $\mu\text{V}/^\circ\text{C}$ |
| PSR | Offset voltage RTI vs power supply | $V_{OUT} = 2\text{ V}$, $V_{IN+} = 18\text{ V}$, 2.7 V , $T_A = -40^\circ\text{C}$ to 125°C | | 2.5 | 100 | $\mu\text{V}/\text{V}$ |
| I_B | Input bias current, V_{IN-} -Pin | $T_A = -40^\circ\text{C}$ to 125°C | | ± 9 | ± 16 | μA |
| OUTPUT ($V_{SENSE} \geq 20\text{ mV}$) | | | | | | |
| G | Gain | INA206 | | 20 | | V/V |
| | | INA207 | | 50 | | |
| | | INA208 | | 100 | | |
| | Gain error | $V_{SENSE} = 20\text{ mV}$ to 100 mV | | $\pm 0.2\%$ | $\pm 1\%$ | |
| | Gain error over temperature | $V_{SENSE} = 20\text{ mV}$ to 100 mV , $T_A = -40^\circ\text{C}$ to 125°C | | | $\pm 2\%$ | |
| | Total output error ⁽²⁾ | $V_{SENSE} = 120\text{ mV}$, $V_S = 16\text{ V}$ | | $\pm 0.75\%$ | $\pm 2.2\%$ | |
| | Total output error over temperature | $V_{SENSE} = 120\text{ mV}$, $V_S = 16\text{ V}$, $T_A = -40^\circ\text{C}$ to 125°C | | | $\pm 3.5\%$ | |
| | Nonlinearity error ⁽³⁾ | $V_{SENSE} = 20\text{ mV}$ to 100 mV | | $\pm 0.002\%$ | | |
| R_O | Output impedance | | | 1.5 | | Ω |
| | Maximum capacitive load | No Sustained Oscillation | | 10 | | nF |
| OUTPUT ($V_{SENSE} < 20\text{ mV}$) ⁽⁴⁾ | | | | | | |
| Output voltage | Output voltage | INA206 | $-16\text{ V} \leq V_{CM} < 0\text{ V}$ | 300 | | mV |
| | | INA207 | | 300 | | |
| | | INA208 | | 300 | | |
| | INA206 | $0\text{ V} \leq V_{CM} \leq V_S$, $V_S = 5\text{ V}$ | | 0.4 | V | |
| | INA207 | | | 1 | | |
| | INA208 | | | 2 | | |
| | INA206 | $V_S < V_{CM} \leq 80\text{ V}$ | | 300 | mV | |
| | INA207 | | | 300 | | |
| | INA208 | | | 300 | | |
| VOLTAGE OUTPUT | | | | | | |
| | Output swing to the positive rail | $V_{IN-} = 11\text{ V}$, $V_{IN+} = 12\text{ V}$, $T_A = -40^\circ\text{C}$ to 125°C | | $(V_S) - 0.15$ | $(V_S) - 0.25$ | V |
| | Output swing to GND ⁽⁵⁾ | $V_{IN-} = 0\text{ V}$, $V_{IN+} = -0.5\text{ V}$, $T_A = -40^\circ\text{C}$ to 125°C | | $(V_{GND}) + 0.004$ | $(V_{GND}) + 0.05$ | V |

(1) Offset is extrapolated from measurements of the output at 20 mV and 100 mV V_{SENSE} .

(2) Total output error includes effects of gain error and V_{OS} .

(3) Linearity is best fit to a straight line.

(4) For details on this region of operation, see the [Accuracy Variations as a Result of \$V_{SENSE}\$ and Common-Mode Voltage](#) section.

(5) Specified by design.

Electrical Characteristics: Current-Shunt Monitor (continued)

At $T_A = 25^\circ\text{C}$, $V_S = 12\text{ V}$, $V_{IN+} = 12\text{ V}$, $V_{SENSE} = 100\text{ mV}$, $R_L = 10\text{ k}\Omega$ to GND, $R_{PULL-UP} = 5.1\text{ k}\Omega$ each connected from CMP1 OUT and CMP2 OUT to V_S , and CMP1 IN+ = 1 V and CMP2 IN– = GND, unless otherwise noted.

| PARAMETERS | TEST CONDITIONS | MIN | TYP | MAX | UNIT |
|------------------------------|--|--------------------------|-----|-----|------------------------|
| FREQUENCY RESPONSE | | | | | |
| Bandwidth | INA206 | $C_{LOAD} = 5\text{ pF}$ | 500 | | kHz |
| | INA207 | | 300 | | |
| | INA208 | | 200 | | |
| Phase margin | $C_{LOAD} < 10\text{ pF}$ | | 40 | | ° |
| Slew rate | | | 1 | | V/ μs |
| Settling time (1%) | $V_{SENSE} = 10\text{ mV}_{PP}$ to 100 mV_{PP} , $C_{LOAD} = 5\text{ pF}$ | | 2 | | μs |
| NOISE, RTI | | | | | |
| Output voltage noise density | | | 40 | | nV/ $\sqrt{\text{Hz}}$ |

7.6 Electrical Characteristics: Comparator

At $T_A = 25^\circ\text{C}$, $V_S = 12\text{ V}$, $V_{IN+} = 12\text{ V}$, $V_{SENSE} = 100\text{ mV}$, $R_L = 10\text{ k}\Omega$ to GND, $R_{PULL-UP} = 5.1\text{ k}\Omega$ each connected from CMP1 OUT and CMP2 OUT to V_S , unless otherwise noted.

| PARAMETERS | TEST CONDITIONS | MIN | TYP | MAX | UNIT |
|--|--|-----------------------------|---------|-----|------------------------------|
| OFFSET VOLTAGE | | | | | |
| Offset Voltage | Comparator Common-Mode Voltage = Threshold Voltage, Figure 1 | | 2 | | mV |
| Offset Voltage Drift, Comparator 1 | $T_A = -40^\circ\text{C}$ to 125°C | | ± 2 | | $\mu\text{V}/^\circ\text{C}$ |
| Offset Voltage Drift, Comparator 2 | $T_A = -40^\circ\text{C}$ to 125°C | | 5.4 | | $\mu\text{V}/^\circ\text{C}$ |
| Threshold | $T_A = 25^\circ\text{C}$ | 590 | 608 | 620 | mV |
| Threshold over Temperature | $T_A = -40^\circ\text{C}$ to 125°C | 586 | | 625 | mV |
| Hysteresis ⁽¹⁾ , CMP1 | $T_A = -40^\circ\text{C}$ to 85°C | | -8 | | mV |
| Hysteresis ⁽¹⁾ , CMP2 | $T_A = -40^\circ\text{C}$ to 85°C | | 8 | | mV |
| INPUT BIAS CURRENT ⁽²⁾ | | | | | |
| CMP1 IN+, CMP2 IN– | | | 0.005 | 10 | nA |
| CMP1 IN+, CMP2 IN– vs Temperature | $T_A = -40^\circ\text{C}$ to 125°C | | | 15 | nA |
| INPUT IMPEDANCE | | | | | |
| Pins 3 and 6 (14-pin packages only) | | | 10 | | k Ω |
| INPUT RANGE | | | | | |
| CMP1 IN+ and CMP2 IN– | | 0 V to $V_S - 1.5\text{ V}$ | | | V |
| Pins 3 and 6 (14-pin packages only) (3) | | 0 V to $V_S - 1.5\text{ V}$ | | | V |
| OUTPUT | | | | | |
| Large-signal differential voltage gain | CMP V_{OUT} 1 V to 4 V, $R_L \geq 15\text{ k}\Omega$ connected to 5 V | | 200 | | V/mV |
| High-level output current | $V_{ID} = 0.4\text{ V}$, $V_{OH} = V_S$ | | 0.0001 | 1 | μA |
| Low-level output voltage | $V_{ID} = -0.6\text{ V}$, $I_{OL} = 2.35\text{ mA}$ | | 220 | 300 | mV |
| RESPONSE TIME ⁽³⁾ | | | | | |
| Comparator 1 | R_L to 5 V, $C_L = 15\text{ pF}$, 100-mV Input Step with 5-mV Overdrive | | 1.3 | | μs |
| Comparator 2 | R_L to 5 V, $C_L = 15\text{ pF}$, 100-mV Input Step with 5-mV Overdrive, C_{DELAY} Pin Open | | 1.3 | | μs |
| RESET | | | | | |
| RESET Threshold ⁽⁴⁾ | | | 1.1 | | V |
| Logic Input Impedance | | | 2 | | m Ω |
| Minimum RESET Pulse Width | | | 1.5 | | μs |
| RESET Propagation Delay | | | 3 | | μs |

- (1) Hysteresis refers to the threshold (the threshold specification applies to a rising edge of a noninverting input) of a falling edge on the noninverting input of the comparator. See [Figure 1](#).
- (2) Specified by design.
- (3) The comparator response time specified is the interval between the input step function and the instant when the output crosses 1.4 V.
- (4) RESET input has an internal 2 M Ω (typical) pull-down. Leaving RESET open results in a LOW state, with transparent comparator operation.

Electrical Characteristics: Comparator (continued)

At $T_A = 25^\circ\text{C}$, $V_S = 12\text{ V}$, $V_{IN+} = 12\text{ V}$, $V_{SENSE} = 100\text{ mV}$, $R_L = 10\text{ k}\Omega$ to GND, $R_{PULL-UP} = 5.1\text{ k}\Omega$ each connected from CMP1 OUT and CMP2 OUT to V_S , unless otherwise noted.

| PARAMETERS | TEST CONDITIONS | MIN | TYP | MAX | UNIT |
|--|--------------------------------------|-----|---------------------|-----|---------------|
| Comparator 2 Delay Equation ⁽⁵⁾ | | | $C_{DELAY} = t_D/5$ | | μF |
| Comparator 2 Delay, t_D | $C_{DELAY} = 0.1\text{ }\mu\text{F}$ | | 0.5 | | s |

(5) The Comparator 2 delay applies to both rising and falling edges of the comparator output.

7.7 Electrical Characteristics: Reference

At $T_A = 25^\circ\text{C}$, $V_S = 12\text{ V}$, $V_{IN+} = 12\text{ V}$, $V_{SENSE} = 100\text{ mV}$, $R_L = 10\text{ k}\Omega$ to GND, $R_{PULL-UP} = 5.1\text{ k}\Omega$ each connected from CMP1 OUT and CMP2 OUT to V_S , unless otherwise noted.

| PARAMETERS | TEST CONDITIONS | MIN | TYP | MAX | UNIT |
|---|---|-------|-----|-------|------------------------|
| REFERENCE VOLTAGE | | | | | |
| 1.2 V_{REFOUT} Output Voltage | | 1.188 | 1.2 | 1.212 | V |
| dV_{OUT}/dT Reference Drift | $T_A = -40^\circ\text{C}$ to 85°C | | 40 | 100 | ppm/ $^\circ\text{C}$ |
| 0.6 V_{REF} Output Voltage (Pins 3 and 6 of 14-pin packages only) | | | 0.6 | | V |
| dV_{OUT}/dT Reference Drift | $T_A = -40^\circ\text{C}$ to 85°C | | 40 | 100 | ppm/ $^\circ\text{C}$ |
| dV_{OUT}/dI_{LOAD} LOAD REGULATION | | | | | |
| Sourcing | $0\text{ mA} < I_{SOURCE} < 0.5\text{ mA}$ | | 0.4 | 2 | mV/mA |
| Sinking | $0\text{ mA} < I_{SINK} < 0.5\text{ mA}$ | | 0.4 | | mV/mA |
| I_{LOAD} LOAD CURRENT | $T_A = -40^\circ\text{C}$ to 125°C | | 1 | | mA |
| dV_{OUT}/dV_S LINE REGULATION | $2.7\text{ V} < V_S < 18\text{ V}$, $T_A = -40^\circ\text{C}$ to 125°C | | 30 | | $\mu\text{V}/\text{V}$ |
| CAPACITIVE LOAD | | | | | |
| Reference Output Maximum Capacitive Load | No Sustained Oscillations | | 10 | | nF |
| OUTPUT IMPEDANCE | | | | | |
| Pins 3 and 6 of 14-Pin Packages Only | | | 10 | | k Ω |

7.8 Electrical Characteristics: General

At $T_A = 25^\circ\text{C}$, $V_S = 12\text{ V}$, $V_{IN+} = 12\text{ V}$, $V_{SENSE} = 100\text{ mV}$, $R_L = 10\text{ k}\Omega$ to GND, $R_{PULL-UP} = 5.1\text{ k}\Omega$ each connected from CMP1 OUT and CMP2 OUT to V_S , and CMP1 IN+ = 1 V and CMP2 IN- = GND, unless otherwise noted.

| PARAMETERS | TEST CONDITIONS | MIN | TYP | MAX | UNIT |
|--|--|-----|-----|-----|---------------------------|
| POWER SUPPLY | | | | | |
| V_S Operating Power Supply | $T_A = -40^\circ\text{C}$ to 125°C | 2.7 | | 18 | V |
| I_Q Quiescent Current | $V_{OUT} = 2\text{ V}$ | | 1.8 | 2.2 | mA |
| | $V_{SENSE} = 0\text{ mV}$, $T_A = -40^\circ\text{C}$ to 125°C | | | 2.8 | mA |
| Comparator Power-On Reset Threshold ⁽¹⁾ | | | 1.5 | | V |
| TEMPERATURE | | | | | |
| Specified Temperature Range | | -40 | | 125 | $^\circ\text{C}$ |
| Operating Temperature Range | | -55 | | 150 | $^\circ\text{C}$ |
| Storage Temperature Range | | -65 | | 150 | $^\circ\text{C}$ |
| θ_{JA} Thermal Resistance | MSOP-10 Surface-Mount | | 200 | | $^\circ\text{C}/\text{W}$ |
| | SO-14, TSSOP-14 Surface-Mount | | 150 | | $^\circ\text{C}/\text{W}$ |

(1) The INA206, INA207, and INA208 are designed to power-up with the comparator in a defined reset state as long as CMP1 $\overline{\text{RESET}}$ is open or grounded. The comparator will be in reset as long as the power supply is below the voltage shown here. The comparator will assume a state based on the comparator input above this supply voltage. If CMP1 $\overline{\text{RESET}}$ is high at power-up, the comparator output comes up high and requires a reset to assume a low state, if appropriate.

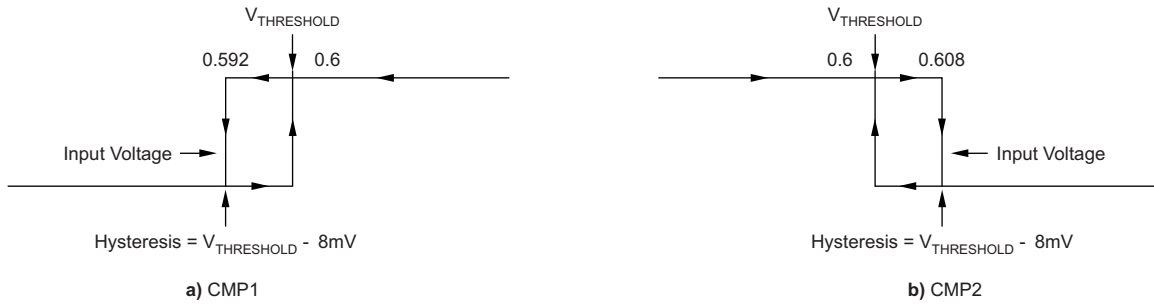


Figure 1. Comparator Hysteresis

7.9 Typical Characteristics

All specifications at $T_A = 25^\circ\text{C}$, $V_S = 12\text{ V}$, $V_{IN+} = 12\text{ V}$, and $V_{SENSE} = 100\text{ mV}$, unless otherwise noted.

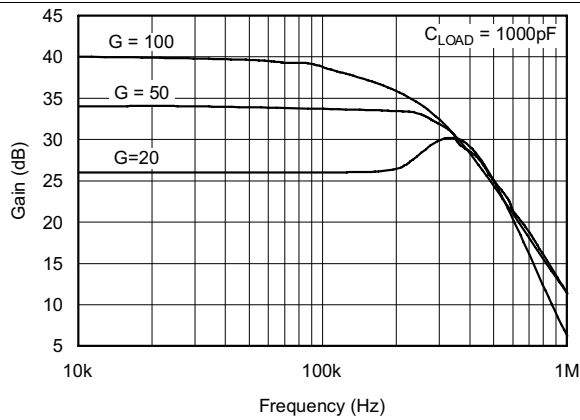


Figure 2. Gain vs Frequency

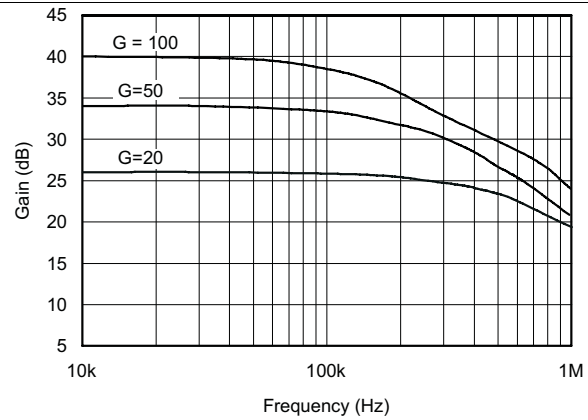


Figure 3. Gain vs Frequency

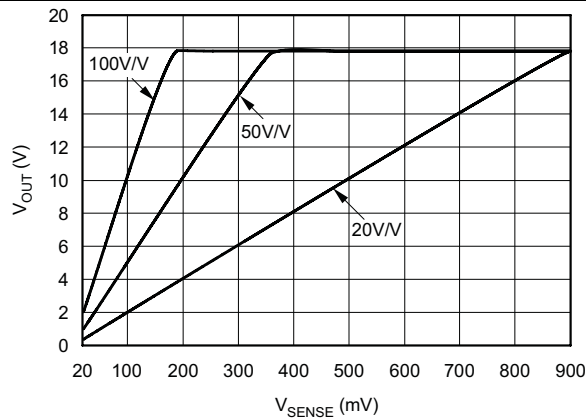


Figure 4. Gain Plot

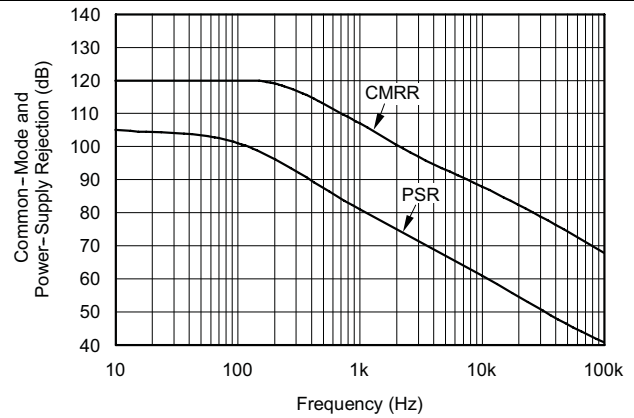


Figure 5. Common-Mode and Power-Supply Rejection vs Frequency

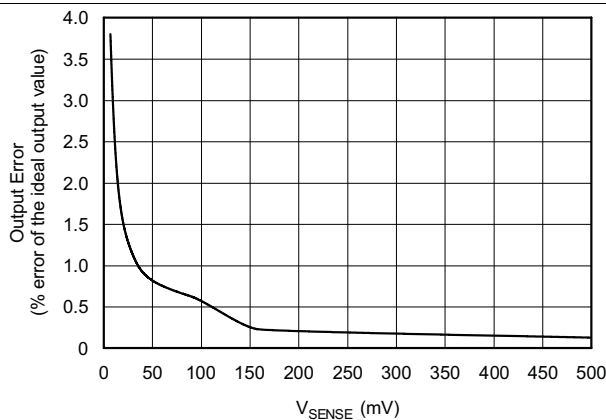


Figure 6. Output Error vs V_{SENSE}

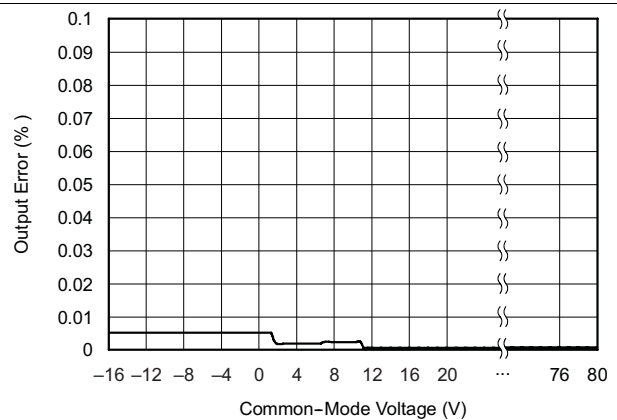


Figure 7. Output Error vs Common-Mode Voltage

Typical Characteristics (continued)

All specifications at $T_A = 25^\circ\text{C}$, $V_S = 12\text{ V}$, $V_{IN+} = 12\text{ V}$, and $V_{SENSE} = 100\text{ mV}$, unless otherwise noted.

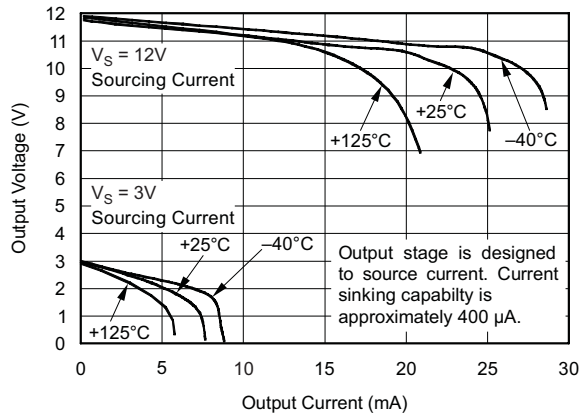


Figure 8. Positive Output Voltage Swing vs Output Current

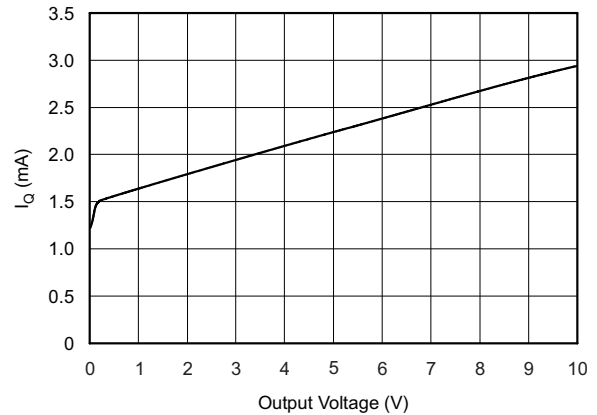


Figure 9. Quiescent Current vs Output Voltage

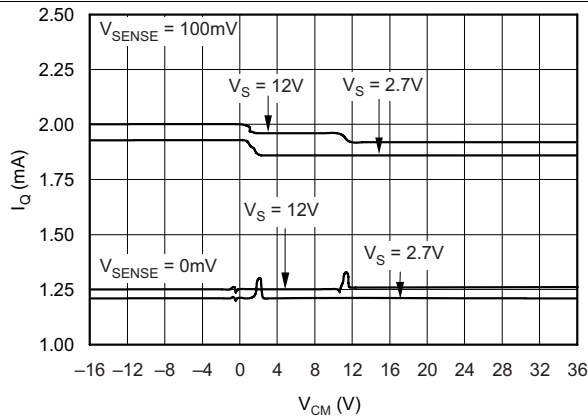


Figure 10. Quiescent Current vs Common-Mode Voltage

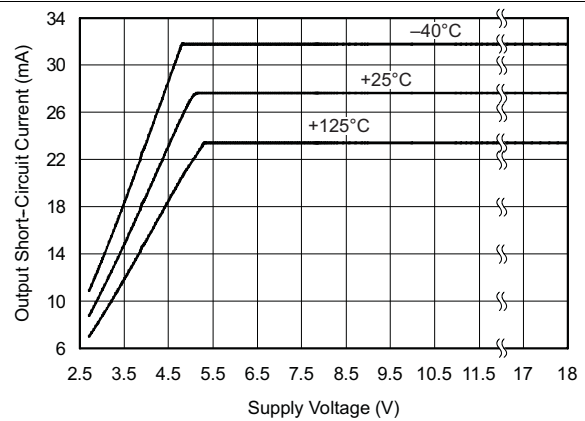


Figure 11. Output Short-Circuit Current vs Supply Voltage

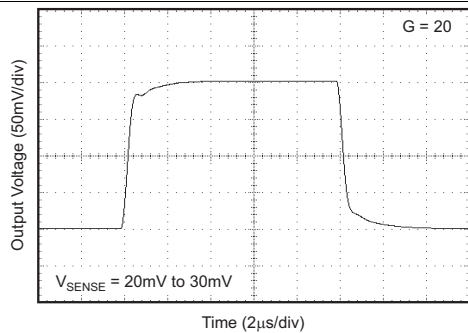


Figure 12. Step Response

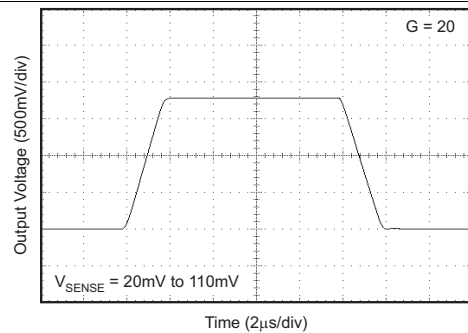


Figure 13. Step Response

Typical Characteristics (continued)

All specifications at $T_A = 25^\circ\text{C}$, $V_S = 12\text{ V}$, $V_{IN+} = 12\text{ V}$, and $V_{SENSE} = 100\text{ mV}$, unless otherwise noted.

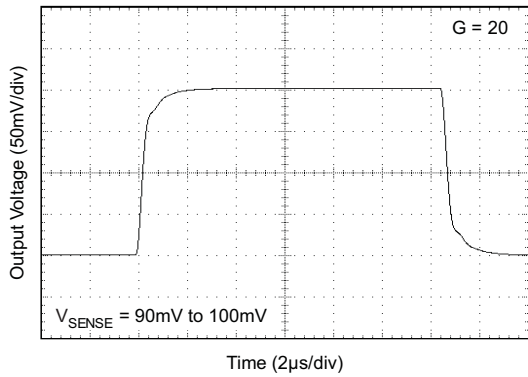


Figure 14. Step Response

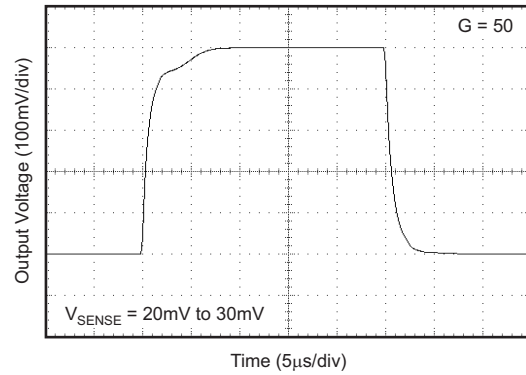


Figure 15. Step Response

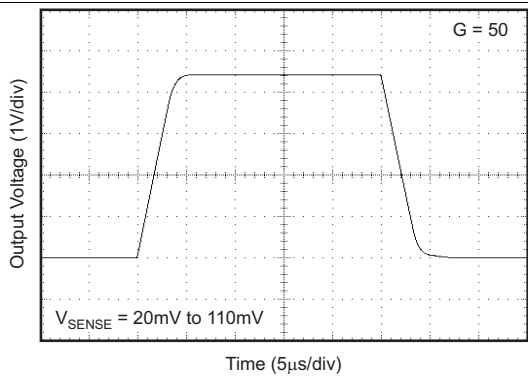


Figure 16. Step Response

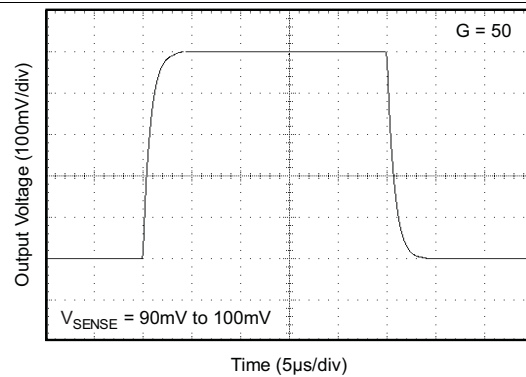


Figure 17. Step Response

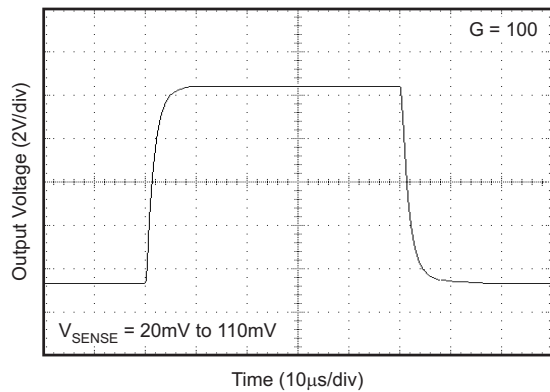


Figure 18. Step Response

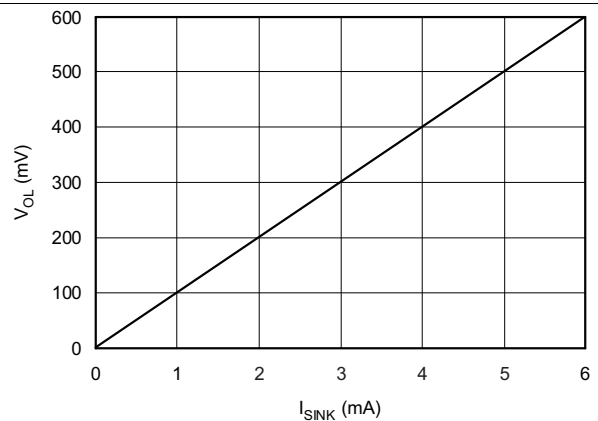


Figure 19. Comparator V_{OL} vs I_{SINK}

Typical Characteristics (continued)

All specifications at $T_A = 25^\circ\text{C}$, $V_S = 12\text{ V}$, $V_{IN+} = 12\text{ V}$, and $V_{SENSE} = 100\text{ mV}$, unless otherwise noted.

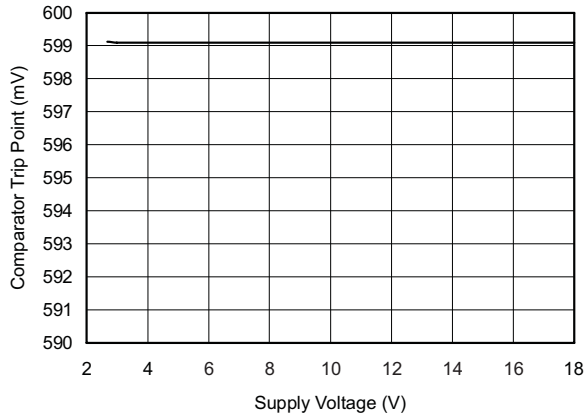


Figure 20. Comparator Trip Point vs Supply Voltage

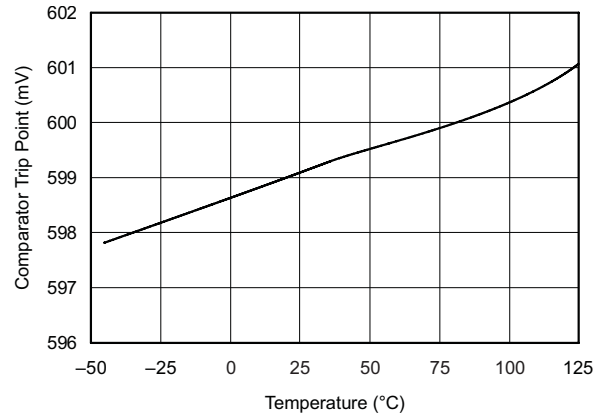


Figure 21. Comparator Trip Point vs Temperature

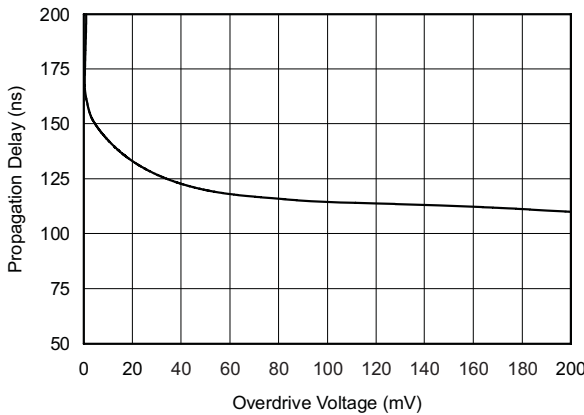


Figure 22. Comparator 1 Propagation Delay vs Overdrive Voltage

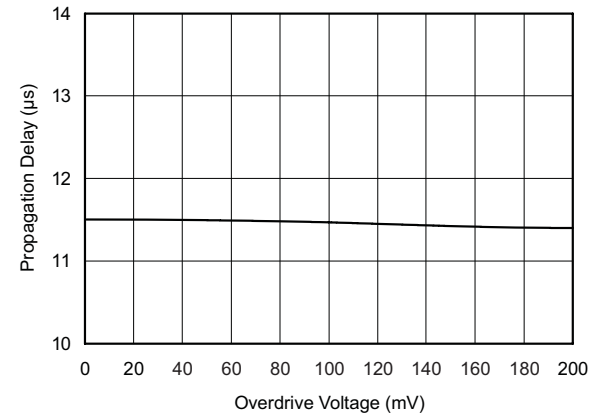


Figure 23. Comparator 2 Propagation Delay vs Overdrive Voltage

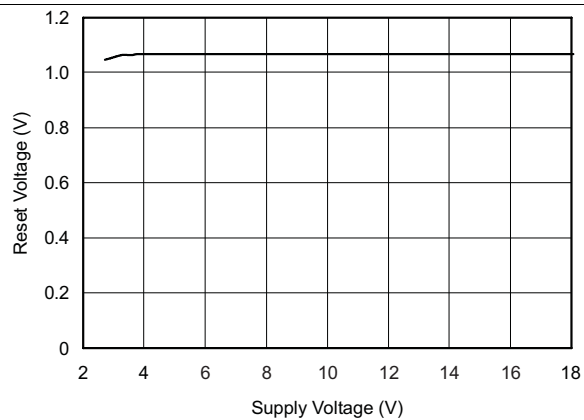


Figure 24. Comparator Reset Voltage vs Supply Voltage

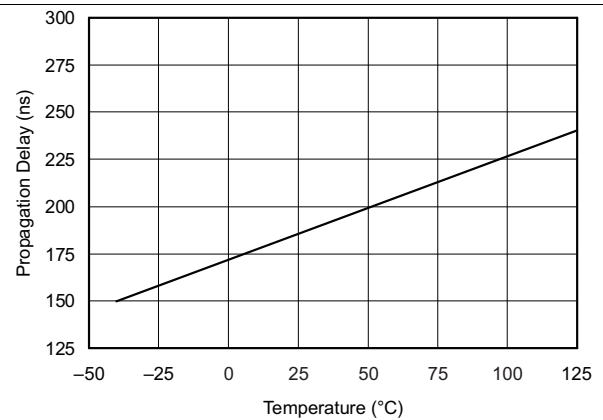


Figure 25. Comparator 1 Propagation Delay vs Temperature

Typical Characteristics (continued)

All specifications at $T_A = 25^\circ\text{C}$, $V_S = 12\text{ V}$, $V_{IN+} = 12\text{ V}$, and $V_{SENSE} = 100\text{ mV}$, unless otherwise noted.

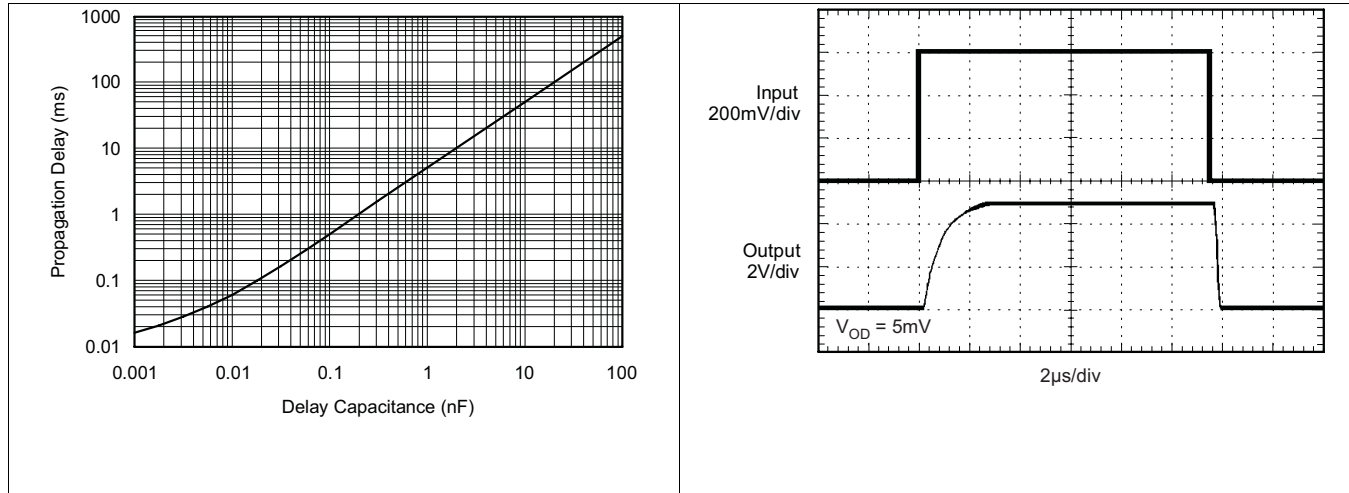


Figure 26. Comparator 2 Propagation Delay vs Capacitance

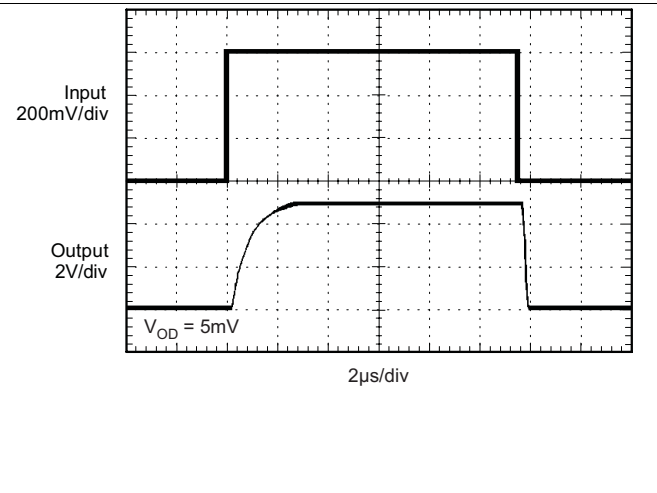


Figure 27. Comparator 1 Propagation Delay

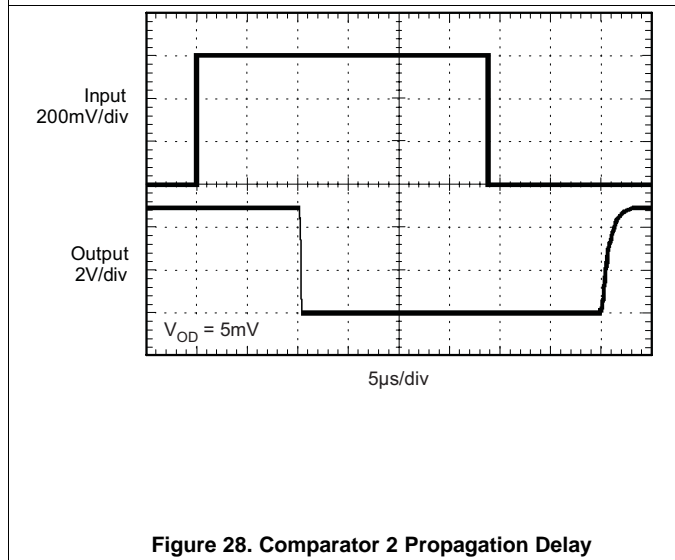


Figure 28. Comparator 2 Propagation Delay

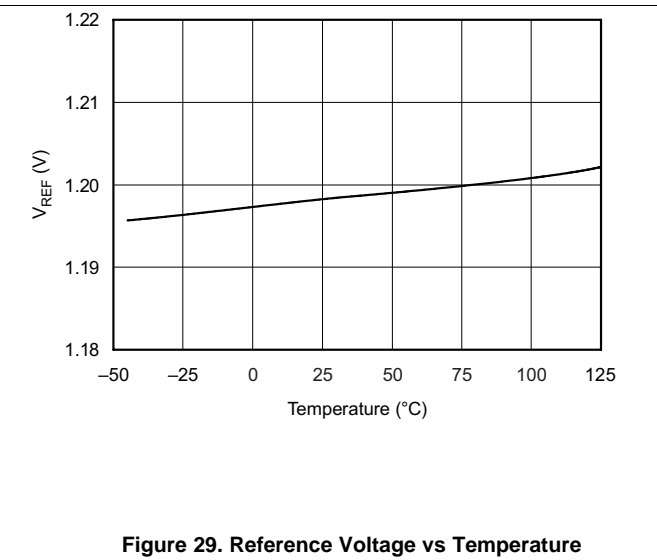


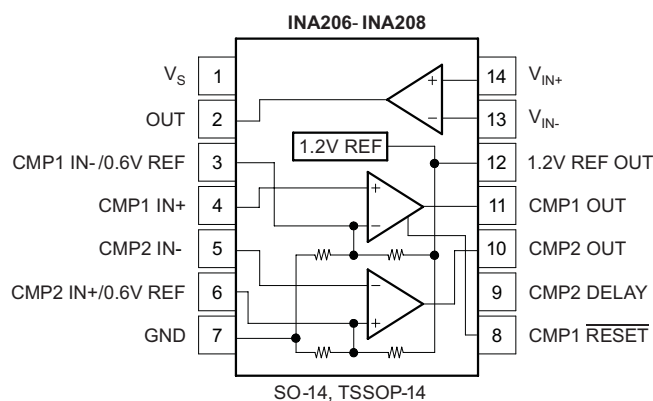
Figure 29. Reference Voltage vs Temperature

8 Detailed Description

8.1 Overview

The INA206, INA207, and INA208 are a family of unidirectional current-shunt monitors with voltage output, dual comparators, and voltage reference. The INA206, INA207, and INA208 can sense drops across shunts at common-mode voltages from -16 V to 80 V . The INA206, INA207, and INA208 are available with three output voltage scales: 20 V/V , 50 V/V , and 100 V/V , with up to 500-kHz bandwidth. The INA206, INA207, and INA208 also incorporate two open-drain comparators with internal 0.6-V references. On 14-pin versions, the comparator references can be overridden by external inputs. Comparator 1 includes a latching capability, and Comparator 2 has a user-programmable delay. 14-pin versions also provide a 1.2-V reference output. The INA206, INA207, and INA208 operate from a single 2.7-V to 18-V supply. They are specified over the extended operating temperature range of -40°C to 125°C .

8.2 Functional Block Diagram



8.3 Feature Description

8.3.1 Output Voltage Range

The output of the INA206, INA207, and INA208 is accurate within the output voltage swing range set by the power supply pin, V_S . This performance is best illustrated when using the INA208 (a gain of 100 version), where a 100-mV full-scale input from the shunt resistor requires an output voltage swing of 10 V , and a power-supply voltage sufficient to achieve 10 V on the output.

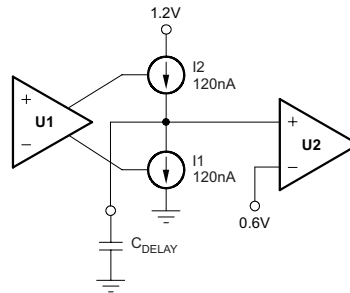
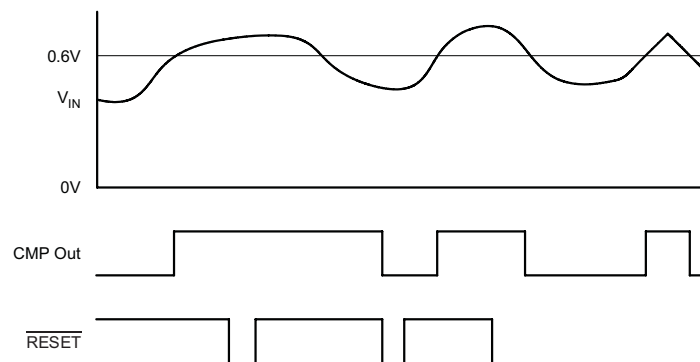
8.3.2 Reference

The INA206, INA207, and INA208 include an internal voltage reference that has a load regulation of 0.4 mV/mA (typical), and not more than $100\text{ ppm}/^{\circ}\text{C}$ of drift. Only the 14-pin package allows external access to reference voltages, where voltages of 1.2 V and 0.6 V are both available. Output current versus output voltage is illustrated in [Typical Characteristics](#).

8.3.3 Comparator

The INA206, INA207, and INA208 devices incorporate two open-drain comparators. These comparators typically have 2 mV of offset and a $1.3\text{-}\mu\text{s}$ (typical) response time. The output of Comparator 1 latches and is reset through the CMP1 RESET pin, as shown in [Figure 31](#). This configuration applies to both the 10- and 14-pin versions. [Figure 30](#) illustrates the comparator delay.

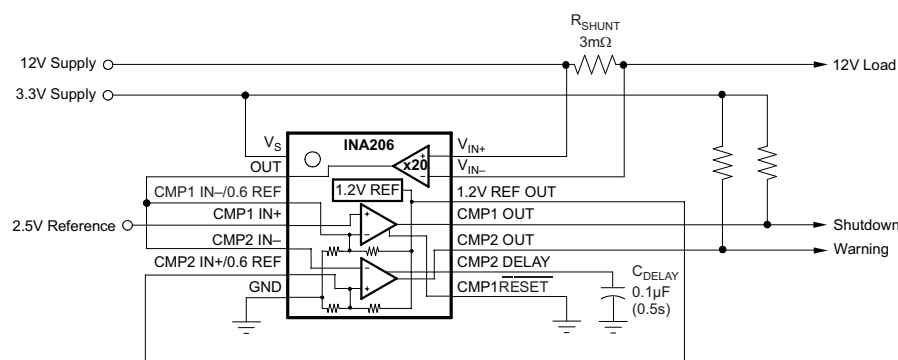
The 14-pin versions of the INA206, INA207, and INA208 include additional features for comparator functions. The comparator reference voltage of both Comparator 1 and Comparator 2 can be overridden by external inputs for increased design flexibility. Comparator 2 has a programmable delay.

Feature Description (continued)

Figure 30. Simplified Model of the Comparator 2 Delay Circuit

Figure 31. Comparator 1 Latching Capability
8.3.4 Comparator Delay (14-Pin Version Only)

The Comparator 2 programmable delay is controlled by a capacitor connected to the CMP2 Delay Pin; see [Figure 40](#). The capacitor value (in μF) is selected by using [Equation 1](#).

$$C_{\text{DELAY}} (\text{in } \mu\text{F}) = \frac{t_D}{5} \tag{1}$$

A simplified version of the delay circuit for Comparator 2 is shown in [Figure 30](#). The delay comparator consists of two comparator stages with the delay between them. Note that I1 and I2 cannot be turned on simultaneously; I1 corresponds to a U1 low output and I2 corresponds to a U1 high output. Using an initial assumption that the U1 output is low, I1 is on, then U2 +IN is zero. If U1 goes high, I2 supplies 120 nA to C_{DELAY} . The voltage at U2 +IN begins to ramp toward a 0.6-V threshold. When the voltage crosses this threshold, the U2 output goes high while the voltage at U2 +IN continues to ramp up to a maximum of 1.2 V when given sufficient time (twice the value of the delay specified for C_{DELAY}). This entire sequence is reversed when the comparator outputs go low, so that returning to low exhibits the same delay.


Figure 32. Server 12-V Supply Current Monitor

Feature Description (continued)

It is important to note what will happen if events occur more rapidly than the delay timeout; for example, when the U1 output goes high (turning on I2), but returns low (turning I1 back on) prior to reaching the 0.6-V transition for U2. The voltage at U2 +IN ramps back down at a rate determined by the value of C_{DELAY} , and only returns to zero if given sufficient time.

In essence, when analyzing Comparator 2 for behavior with events more rapid than its delay setting, use the model shown in Figure 30.

8.3.5 Comparator Maximum Input Voltage Range

The maximum voltage at the comparator input for normal operation is up to $(V_S) - 1.5$ V. There are special considerations when overdriving the reference inputs (pins 3 and 6). Driving either or both inputs high enough to drive 1 mA back into the reference introduces errors into the reference. Figure 33 shows the basic input structure. A general guideline is to limit the voltage on both inputs to a total of 20 V. The exact limit depends on the available voltage and whether either or both inputs are subject to the large voltage. When making this determination, consider the 20 k Ω from each input back to the comparator. Figure 34 shows the maximum input voltage that avoids creating a reference error when driving both inputs (an equivalent resistance back into the reference of 10 k Ω).

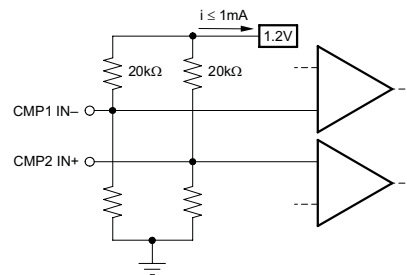


Figure 33. Limit Current Into Reference ≤ 1 mA

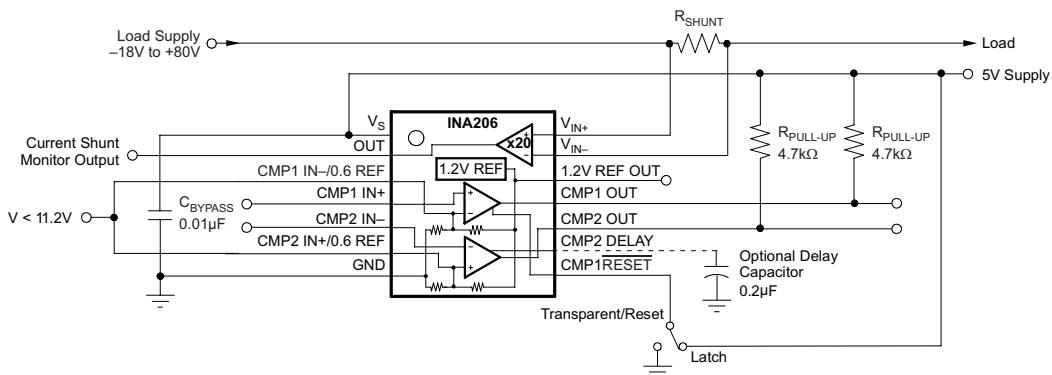


Figure 34. Overdriving Comparator Inputs Without Generating a Reference Error

Feature Description (continued)

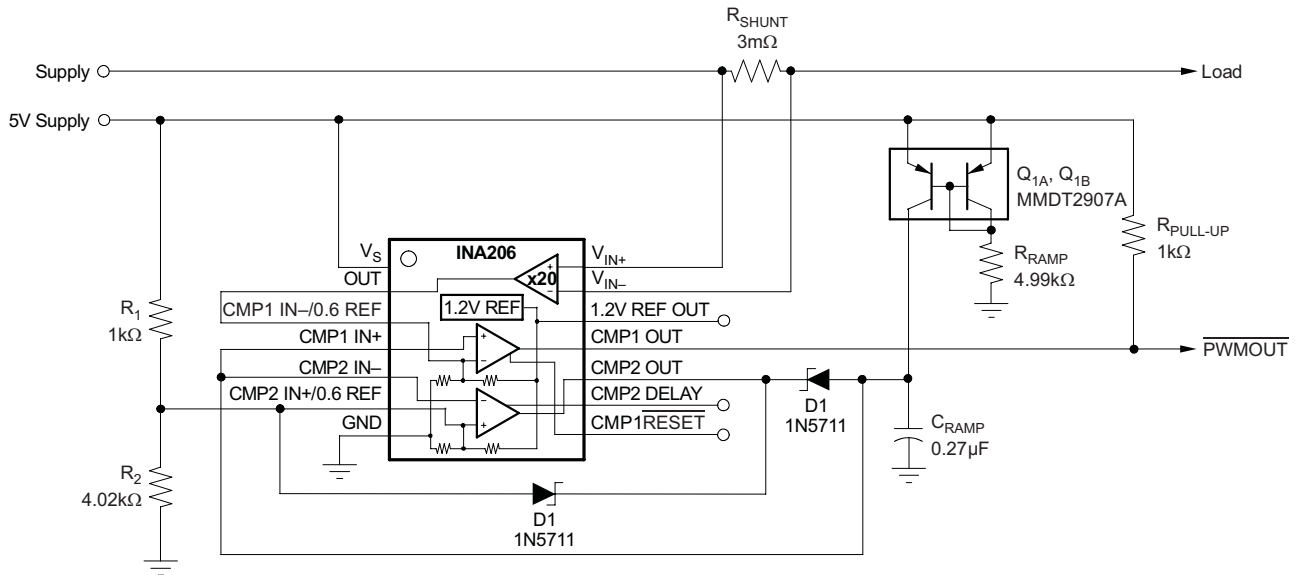


Figure 35. PWM Output Current-Shunt Monitor

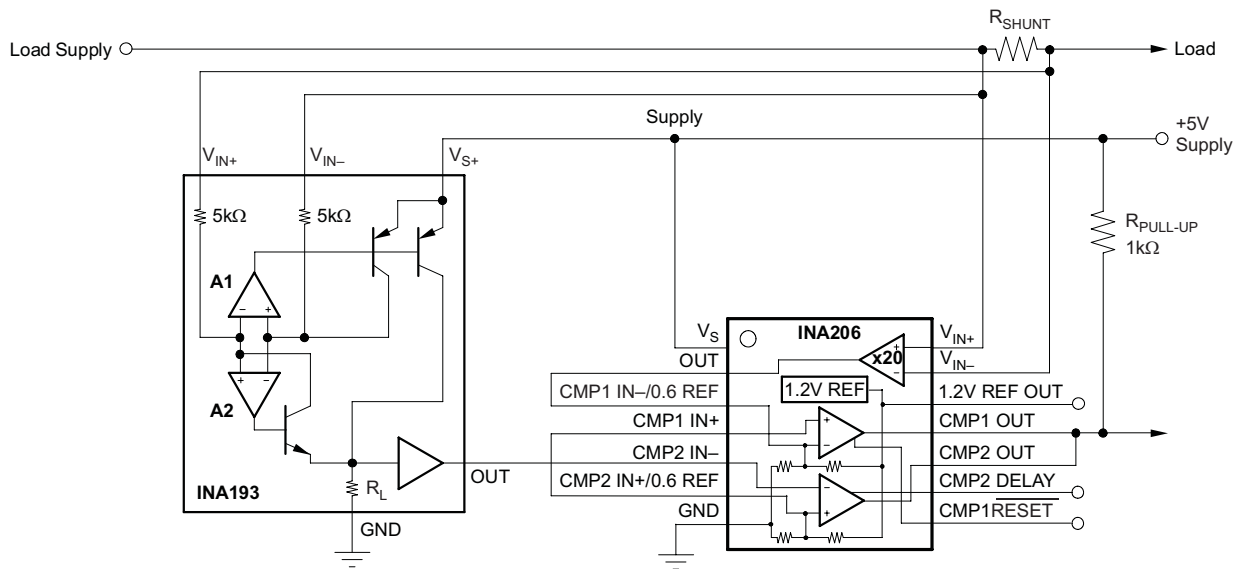


Figure 36. Bi-Directional Current Comparator

Feature Description (continued)

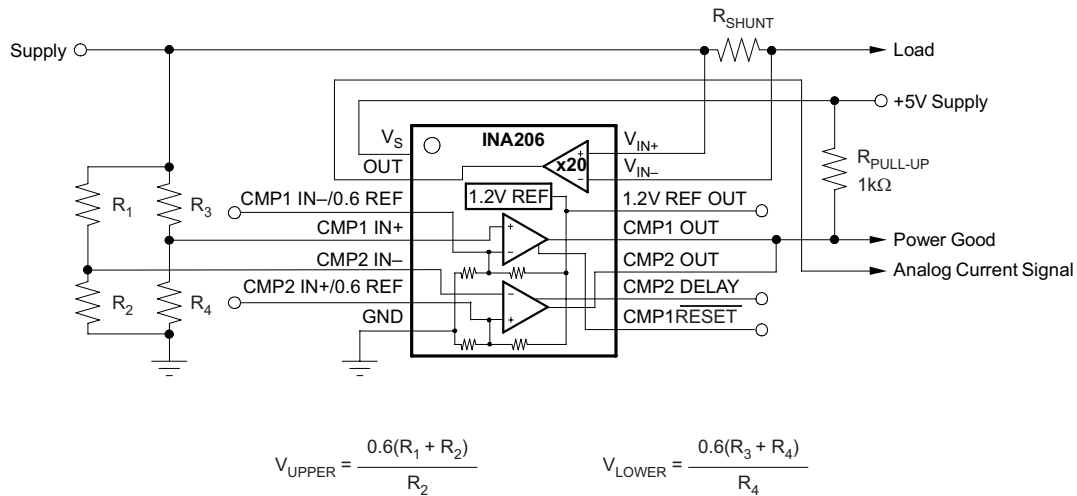


Figure 37. Analog Output Current-Shunt Monitor With Comparators Used as Power-Supply Under-Limit or Over-Limit or Power-Good Detector

8.4 Device Functional Modes

8.4.1 Accuracy Variations as a Result of V_{SENSE} and Common-Mode Voltage

The accuracy of the INA206, INA207, and INA208 current-shunt monitors is a function of two main variables: V_{SENSE} ($V_{\text{IN}+} - V_{\text{IN}-}$) and common-mode voltage, V_{CM} , relative to the supply voltage, V_{S} . V_{CM} is expressed as $(V_{\text{IN}+} + V_{\text{IN}-})/2$; however, in practice, V_{CM} is seen as the voltage at $V_{\text{IN}+}$ because the voltage drop across V_{SENSE} is usually small.

This section addresses the accuracy of these specific operating regions:

- Normal Case 1: $V_{\text{SENSE}} \geq 20 \text{ mV}$, $V_{\text{CM}} \geq V_{\text{S}}$
- Normal Case 2: $V_{\text{SENSE}} \geq 20 \text{ mV}$, $V_{\text{CM}} < V_{\text{S}}$
- Low V_{SENSE} Case 1: $V_{\text{SENSE}} < 20 \text{ mV}$, $-16 \text{ V} \leq V_{\text{CM}} < 0$
- Low V_{SENSE} Case 2: $V_{\text{SENSE}} < 20 \text{ mV}$, $0 \text{ V} \leq V_{\text{CM}} \leq V_{\text{S}}$
- Low V_{SENSE} Case 3: $V_{\text{SENSE}} < 20 \text{ mV}$, $V_{\text{S}} < V_{\text{CM}} \leq 80 \text{ V}$

8.4.1.1 Normal Case 1: $V_{\text{SENSE}} \geq 20 \text{ mV}$, $V_{\text{CM}} \geq V_{\text{S}}$

This region of operation provides the highest accuracy. Here, the input offset voltage is characterized and measured using a two-step method. First, the gain is determined by Equation 2.

$$G = \frac{V_{\text{OUT1}} - V_{\text{OUT2}}}{100 \text{ mV} - 20 \text{ mV}}$$

where

- V_{OUT1} = Output Voltage with $V_{\text{SENSE}} = 100 \text{ mV}$
- V_{OUT2} = Output Voltage with $V_{\text{SENSE}} = 20 \text{ mV}$

Then the offset voltage is measured at $V_{\text{SENSE}} = 100 \text{ mV}$ and referred to the input (RTI) of the current-shunt monitor, as shown in Equation 3

$$V_{\text{OSRTI}} (\text{Referred - To - Input}) = \left(\frac{V_{\text{OUT1}}}{G} \right) - 100 \text{ mV}$$

In the Typical Characteristics, the *Output Error vs Common-Mode Voltage* curve shows the highest accuracy for this region of operation. In this plot, $V_{\text{S}} = 12 \text{ V}$; for $V_{\text{CM}} \geq 12 \text{ V}$, the output error is at its minimum. This case is also used to create the $V_{\text{SENSE}} \geq 20\text{-mV}$ output specifications in *Electrical Characteristics: Current-Shunt Monitor* through *Electrical Characteristics: General*.

Device Functional Modes (continued)

8.4.1.2 Normal Case 2: $V_{SENSE} \geq 20\text{ mV}$, $V_{CM} < V_S$

This region of operation has slightly less accuracy than Normal Case 1 as a result of the common-mode operating area in which the part functions, as seen in the *Output Error vs Common-mode Voltage* curve. As noted, for this graph $V_S = 12\text{ V}$; for $V_{CM} < 12\text{ V}$, the Output Error increases as V_{CM} becomes less than 12 V , with a typical maximum error of 0.005% at the most negative $V_{CM} = -16\text{ V}$.

Low V_{SENSE} Case 1: $V_{SENSE} < 20\text{ mV}$, $-16\text{ V} \leq V_{CM} < 0$; and

Low V_{SENSE} Case 3: $V_{SENSE} < 20\text{ mV}$, $V_S < V_{CM} \leq 80\text{ V}$

Although the INA206 family of devices are not designed for accurate operation in either of these regions, some applications are exposed to these conditions; for example, when monitoring power supplies that are switched on and off while V_S is still applied to the INA206, INA207, or INA208. It is important to know what the behavior of the devices will be in these regions.

As V_{SENSE} approaches 0 mV, in these V_{CM} regions, the device output accuracy degrades. A larger-than-normal offset can appear at the current-shunt monitor output with a typical maximum value of $V_{OUT} = 300\text{ mV}$ for $V_{SENSE} = 0\text{ mV}$. As V_{SENSE} approaches 20 mV, V_{OUT} Returns to the expected output value with accuracy as specified in [Electrical Characteristics: Current-Shunt Monitor](#) through [Electrical Characteristics: General](#). Figure 38 illustrates this effect using the INA208 (Gain = 100).

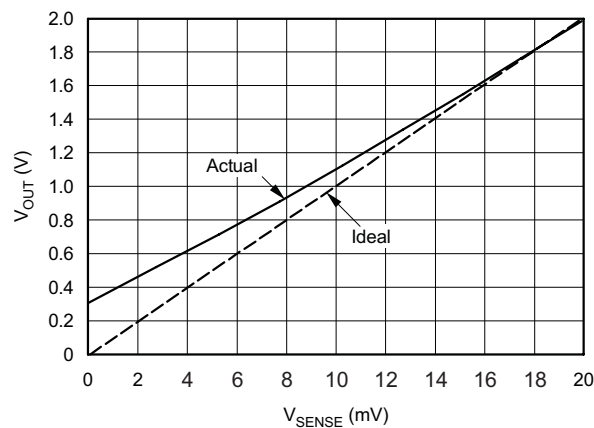
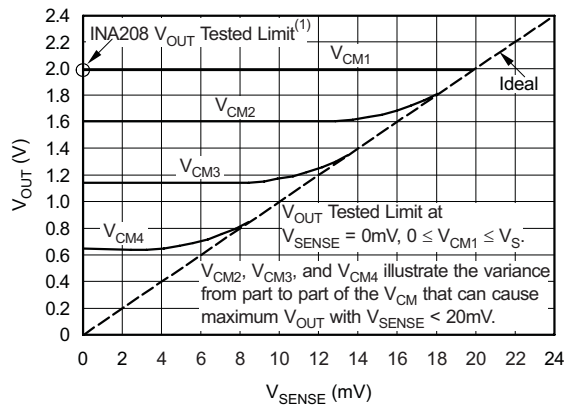


Figure 38. Example for Low V_{SENSE} Cases 1 and 3 (INA208, Gain = 100)

8.4.1.3 Low V_{SENSE} Case 2: $V_{SENSE} < 20\text{ mV}$, $0\text{ V} \leq V_{CM} \leq V_S$

This region of operation is the least accurate for the INA206 family. To achieve the wide input common-mode voltage range, these devices use two op amp front ends in parallel. One op amp front end operates in the positive input common-mode voltage range, and the other in the negative input region. For this case, neither of these two internal amplifiers dominates and overall loop gain is very low. Within this region, V_{OUT} approaches voltages close to linear operation levels for Normal Case 2. This deviation from linear operation becomes greatest the closer V_{SENSE} approaches 0 V. Within this region, as V_{SENSE} approaches 20 mV, device operation is closer to that described by Normal Case 2. Figure 39 illustrates this behavior for the INA208. The V_{OUT} maximum peak for this case is tested by maintaining a constant V_S , setting $V_{SENSE} = 0\text{ mV}$ and sweeping V_{CM} from 0 V to V_S . The exact V_{CM} at which V_{OUT} peaks during this test varies from part to part, but the V_{OUT} maximum peak is tested to be less than the specified V_{OUT} Tested Limit.

Device Functional Modes (continued)



NOTE: (1) INA206 V_{OUT} Tested Limit = 0.4V. INA207 V_{OUT} Tested Limit = 1V.

Figure 39. Example for Low V_{SENSE} Case 2 (INA208, Gain = 100)

9 Application and Implementation

NOTE

Information in the following applications sections is not part of the TI component specification, and TI does not warrant its accuracy or completeness. TI's customers are responsible for determining suitability of components for their purposes. Customers should validate and test their design implementation to confirm system functionality.

9.1 Application Information

9.1.1 Basic Connection

Figure 40 shows the basic connection of the INA206, INA207, and INA208. The input pins, VIN+ and VIN–, should be connected as closely as possible to the shunt resistor to minimize any resistance in series with the shunt resistance.

Power-supply bypass capacitors are required for stability. Applications with noisy or high impedance power supplies may require additional decoupling capacitors to reject power-supply noise. Connect bypass capacitors close to the device pins.

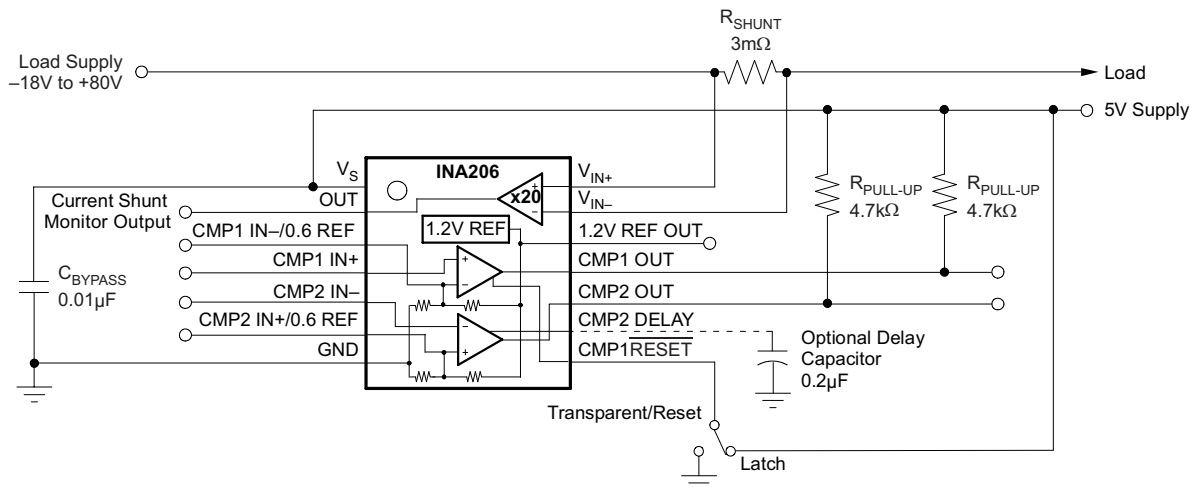


Figure 40. INA20x Basic Connection

9.2 Typical Application

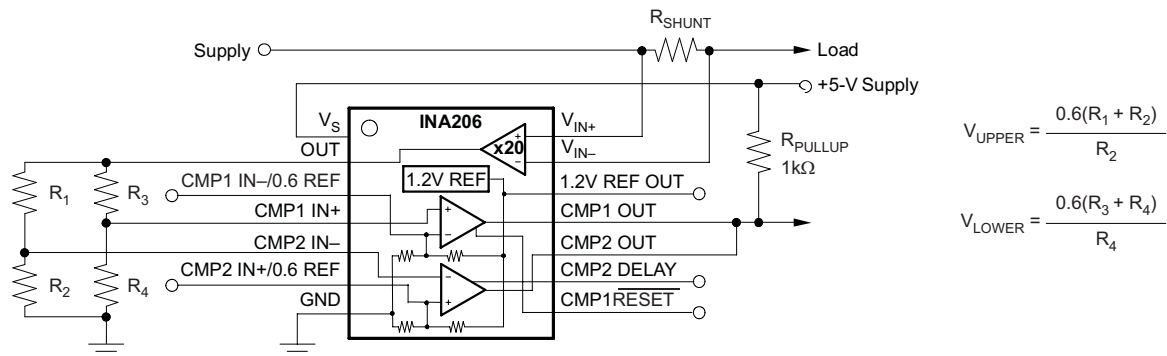


Figure 41. Using the INA206, INA207, and INA208 as Window Comparators

Typical Application (continued)

9.2.1 Design Requirements

The device measures current through a resistive shunt with current flowing in one direction. The outputs of the two comparators are in logic AND connection thus enabling the window comparison. When the INA output voltage is within the upper and lower limits, the composite comparator output is high. When the INA output voltage is above the upper limit or below the lower limit, the composite comparator output remains low.

9.2.2 Detailed Design Procedure

9.2.2.1 Selecting R_S

The value chosen for the shunt resistor, R_S , depends on the application and is a compromise between small-signal accuracy and maximum permissible voltage loss in the measurement line. High values of R_S provide better accuracy at lower currents by minimizing the effects of offset, while low values of R_S minimize voltage loss in the supply line. For most applications, best performance is attained with an R_S value that provides a full-scale shunt voltage range of 50 mV to 100 mV. Maximum input voltage for accurate measurements is $(V_S - 0.2) / \text{Gain}$.

9.2.2.2 Transient Protection

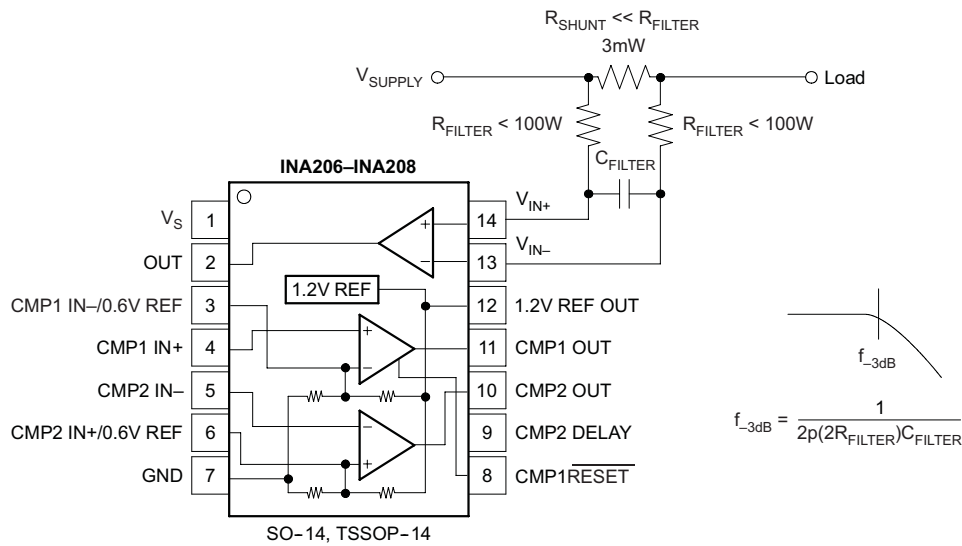
The –16-V to 80-V common-mode range of the INA206, INA207, and INA208 is ideal for withstanding automotive fault conditions ranging from 12-V battery reversal up to 80-V transients, since no additional protective components are needed up to those levels. In the event that the INA206, INA207, and INA208 are exposed to transients on the inputs in excess of their ratings, then external transient absorption with semiconductor transient absorbers (*Zeners* or *Transzorbs*) will be necessary. Use of MOVs or VDRs is not recommended except when they are used in addition to a semiconductor transient absorber. Select the transient absorber such that it will never allow the INA206, INA207, and INA208 to be exposed to transients greater than 80 V (that is, allow for transient absorber tolerance, as well as additional voltage due to transient absorber dynamic impedance). Despite the use of internal Zener-type ESD protection, the INA206, INA207, and INA208 do not lend themselves to using external resistors in series with the inputs since the internal gain resistors can vary up to $\pm 30\%$ but are closely matched. (If gain accuracy is not important, then resistors can be added in series with the INA206, INA207, and INA208 inputs with two equal resistors on each input.)

9.2.2.3 Input Filtering

An obvious and straightforward location for filtering is at the output of the INA206, INA207, and INA208 series; however, this location negates the advantage of the low output impedance of the internal buffer. The only other option for filtering is at the input pins of the INA206, INA207, and INA208, which is complicated by the internal 5 k Ω + 30% input impedance; this is shown in [Figure 42](#). Using the lowest possible resistor values minimizes both the initial shift in gain and effects of tolerance. The effect on initial gain is given by [Equation 4](#).

$$\text{Gain Error\%} = 100 - \left(100 \times \frac{5 \text{ k}\Omega}{5 \text{ k}\Omega + R_{\text{FILT}}} \right) \quad (4)$$

Total effect on gain error can be calculated by replacing the 5-k Ω term with 5 k Ω – 30%, (or 3.5 k Ω) or 5 k Ω + 30%, (or 6.5 k Ω). The tolerance extremes of R_{FILT} can also be inserted into the equation. If a pair of 100 Ω 1% resistors are used on the inputs, the initial gain error will be 1.96%. Worst-case tolerance conditions will always occur at the lower excursion of the internal 5-k Ω resistor (3.5 k Ω), and the higher excursion of R_{FILT} — 2.8% in this case.

Typical Application (continued)

Figure 42. Input Filter (Gain Error 1.5% to 2.8%)

Note that the specified accuracy of the INA26, INA207, and INA208 must then be combined in addition to these tolerances. While this discussion treated accuracy worst-case conditions by combining the extremes of the resistor values, it is appropriate to use geometric mean or root sum square calculations to total the effects of accuracy variations.

Typical Application (continued)

9.2.3 Application Curve

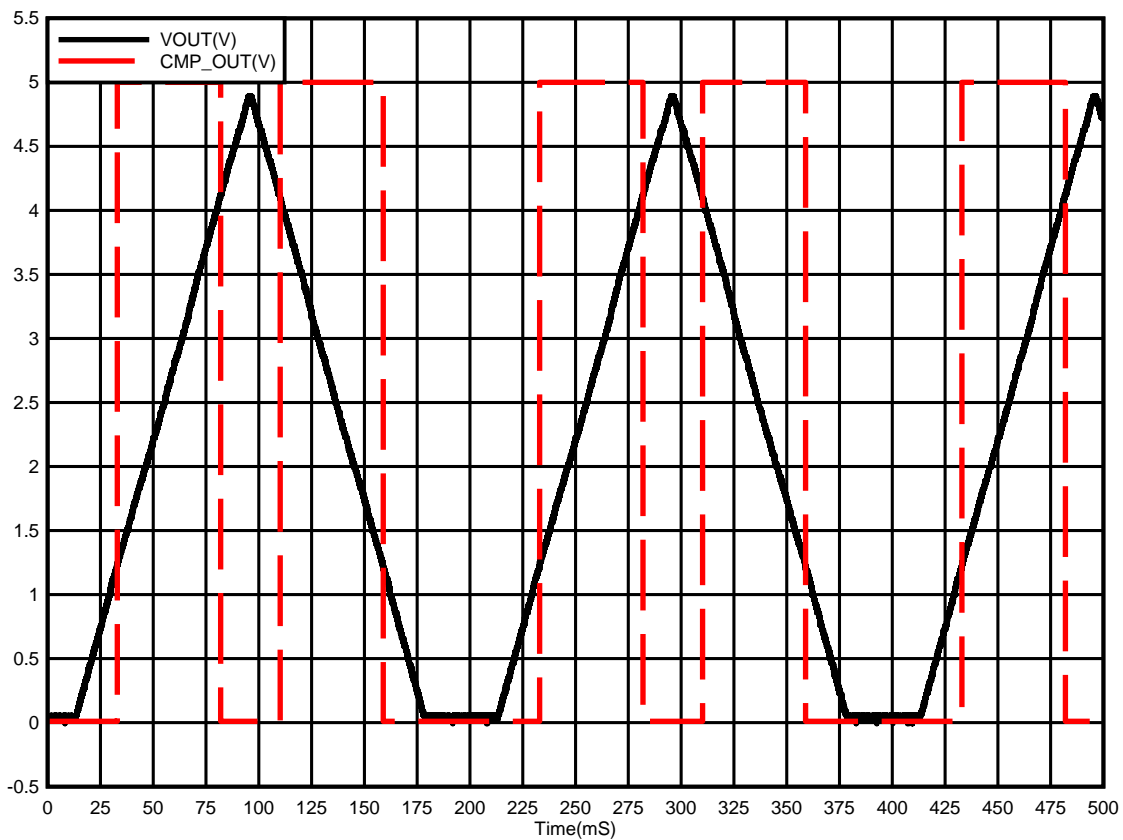


Figure 43. Window Comparator Circuit Response

10 Power Supply Recommendations

The input circuitry of the INA206, INA207, and INA208 can accurately measure beyond the power-supply voltage, V_s . For example, the V_s power supply can be 5 V, whereas the load power-supply voltage is up to 80 V. The output voltage range of the OUT terminal, however, is limited by the voltages on the power-supply pin.

11 Layout

11.1 Layout Guidelines

- Connect the input pins to the sensing resistor using a Kelvin or 4-wire connection. This connection technique ensures that only the current-sensing resistor impedance is detected between the input pins. Poor routing of the current-sensing resistor commonly results in additional resistance present between the input pins. Given the very low ohmic value of the current resistor, any additional high-current carrying impedance can cause significant measurement errors.
- The power-supply bypass capacitor must be placed as close as possible to the supply and ground pins. The recommended value of this bypass capacitor is 0.1 μF . Additional decoupling capacitance can be added to compensate for noisy or high-impedance power supplies.

11.2 Layout Example

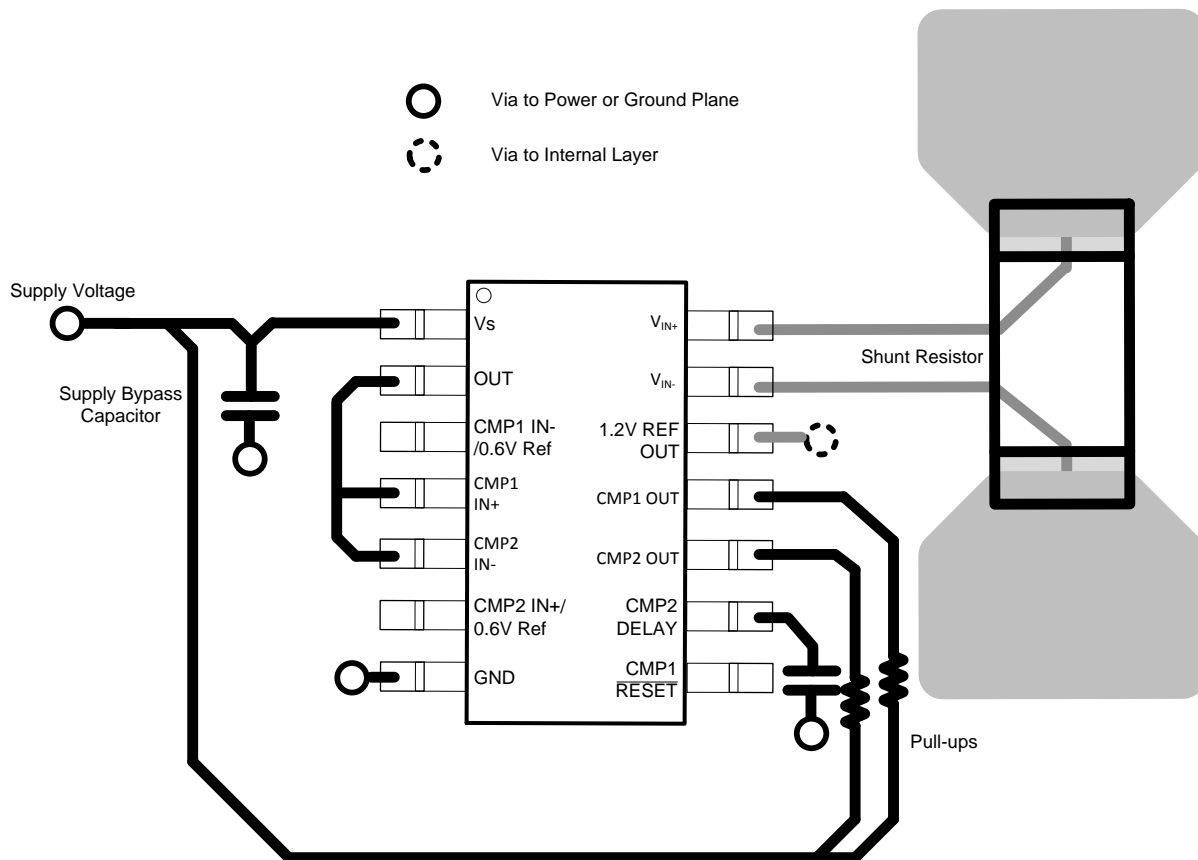


Figure 44. Layout Recommendation

12 Device and Documentation Support

12.1 Related Links

The table below lists quick access links. Categories include technical documents, support and community resources, tools and software, and quick access to sample or buy.

Table 1. Related Links

| PARTS | PRODUCT FOLDER | SAMPLE & BUY | TECHNICAL DOCUMENTS | TOOLS & SOFTWARE | SUPPORT & COMMUNITY |
|--------|----------------------------|----------------------------|----------------------------|----------------------------|----------------------------|
| INA206 | Click here | Click here | Click here | Click here | Click here |
| INA207 | Click here | Click here | Click here | Click here | Click here |
| INA208 | Click here | Click here | Click here | Click here | Click here |

12.2 Community Resources

The following links connect to TI community resources. Linked contents are provided "AS IS" by the respective contributors. They do not constitute TI specifications and do not necessarily reflect TI's views; see TI's [Terms of Use](#).

TI E2E™ Online Community *TI's Engineer-to-Engineer (E2E) Community*. Created to foster collaboration among engineers. At e2e.ti.com, you can ask questions, share knowledge, explore ideas and help solve problems with fellow engineers.

Design Support *TI's Design Support* Quickly find helpful E2E forums along with design support tools and contact information for technical support.

12.3 Trademarks

E2E is a trademark of Texas Instruments.

All other trademarks are the property of their respective owners.

12.4 Electrostatic Discharge Caution



These devices have limited built-in ESD protection. The leads should be shorted together or the device placed in conductive foam during storage or handling to prevent electrostatic damage to the MOS gates.

12.5 Glossary

[SLYZ022](#) — *TI Glossary*.

This glossary lists and explains terms, acronyms, and definitions.

13 Mechanical, Packaging, and Orderable Information

The following pages include mechanical, packaging, and orderable information. This information is the most current data available for the designated devices. This data is subject to change without notice and revision of this document. For browser-based versions of this data sheet, refer to the left-hand navigation.

PACKAGING INFORMATION

| Orderable Device | Status (1) | Package Type | Package Drawing | Pins | Package Qty | Eco Plan (2) | Lead/Ball Finish (6) | MSL Peak Temp (3) | Op Temp (°C) | Device Marking (4/5) | Samples |
|------------------|---------------|--------------|--------------------|------|----------------|----------------------------|----------------------------|----------------------|--------------|-------------------------|-------------------------|
| INA206AID | ACTIVE | SOIC | D | 14 | 50 | Green (RoHS & no Sb/Br) | CU NIPDAU | Level-2-260C-1 YEAR | -40 to 125 | INA206A | Samples |
| INA206AIDGSR | ACTIVE | VSSOP | DGS | 10 | 2500 | Green (RoHS & no Sb/Br) | CU NIPDAUAG | Level-2-260C-1 YEAR | -40 to 125 | BQQ | Samples |
| INA206AIDGST | ACTIVE | VSSOP | DGS | 10 | 250 | Green (RoHS & no Sb/Br) | CU NIPDAUAG | Level-2-260C-1 YEAR | -40 to 125 | BQQ | Samples |
| INA206AIDR | ACTIVE | SOIC | D | 14 | 2500 | Green (RoHS & no Sb/Br) | CU NIPDAU | Level-2-260C-1 YEAR | -40 to 125 | INA206A | Samples |
| INA206AIPW | ACTIVE | TSSOP | PW | 14 | 90 | Green (RoHS & no Sb/Br) | CU NIPDAU | Level-2-260C-1 YEAR | -40 to 125 | INA206A | Samples |
| INA206AIPWR | ACTIVE | TSSOP | PW | 14 | 2000 | Green (RoHS & no Sb/Br) | CU NIPDAU | Level-2-260C-1 YEAR | -40 to 125 | INA206A | Samples |
| INA207AID | ACTIVE | SOIC | D | 14 | 50 | Green (RoHS & no Sb/Br) | CU NIPDAU | Level-2-260C-1 YEAR | -40 to 125 | INA207A | Samples |
| INA207AIDGSR | ACTIVE | VSSOP | DGS | 10 | 2500 | Green (RoHS & no Sb/Br) | CU NIPDAUAG | Level-2-260C-1 YEAR | -40 to 125 | BQR | Samples |
| INA207AIDGST | ACTIVE | VSSOP | DGS | 10 | 250 | Green (RoHS & no Sb/Br) | CU NIPDAUAG | Level-2-260C-1 YEAR | -40 to 125 | BQR | Samples |
| INA207AIPW | ACTIVE | TSSOP | PW | 14 | 90 | Green (RoHS & no Sb/Br) | CU NIPDAU | Level-2-260C-1 YEAR | -40 to 125 | INA207A | Samples |
| INA207AIPWR | ACTIVE | TSSOP | PW | 14 | 2000 | Green (RoHS & no Sb/Br) | CU NIPDAU | Level-2-260C-1 YEAR | -40 to 125 | INA207A | Samples |
| INA208AID | ACTIVE | SOIC | D | 14 | 50 | Green (RoHS & no Sb/Br) | CU NIPDAU | Level-2-260C-1 YEAR | -40 to 125 | INA208A | Samples |
| INA208AIDGSR | ACTIVE | VSSOP | DGS | 10 | 2500 | Green (RoHS & no Sb/Br) | CU NIPDAU CU NIPDAUAG | Level-2-260C-1 YEAR | -40 to 125 | BQS | Samples |
| INA208AIDGST | ACTIVE | VSSOP | DGS | 10 | 250 | Green (RoHS & no Sb/Br) | CU NIPDAU CU NIPDAUAG | Level-2-260C-1 YEAR | -40 to 125 | BQS | Samples |
| INA208AIDR | ACTIVE | SOIC | D | 14 | 2500 | Green (RoHS & no Sb/Br) | CU NIPDAU | Level-2-260C-1 YEAR | -40 to 125 | INA208A | Samples |
| INA208AIPW | ACTIVE | TSSOP | PW | 14 | 90 | Green (RoHS & no Sb/Br) | CU NIPDAU | Level-2-260C-1 YEAR | -40 to 125 | INA208A | Samples |
| INA208AIPWR | ACTIVE | TSSOP | PW | 14 | 2000 | Green (RoHS & no Sb/Br) | CU NIPDAU | Level-2-260C-1 YEAR | -40 to 125 | INA208A | Samples |

(1) The marketing status values are defined as follows:

ACTIVE: Product device recommended for new designs.

LIFEBUY: TI has announced that the device will be discontinued, and a lifetime-buy period is in effect.

NRND: Not recommended for new designs. Device is in production to support existing customers, but TI does not recommend using this part in a new design.

PREVIEW: Device has been announced but is not in production. Samples may or may not be available.

OBSOLETE: TI has discontinued the production of the device.

(2) **RoHS:** TI defines "RoHS" to mean semiconductor products that are compliant with the current EU RoHS requirements for all 10 RoHS substances, including the requirement that RoHS substance do not exceed 0.1% by weight in homogeneous materials. Where designed to be soldered at high temperatures, "RoHS" products are suitable for use in specified lead-free processes. TI may reference these types of products as "Pb-Free".

RoHS Exempt: TI defines "RoHS Exempt" to mean products that contain lead but are compliant with EU RoHS pursuant to a specific EU RoHS exemption.

Green: TI defines "Green" to mean the content of Chlorine (Cl) and Bromine (Br) based flame retardants meet JS709B low halogen requirements of ≤ 1000 ppm threshold. Antimony trioxide based flame retardants must also meet the ≤ 1000 ppm threshold requirement.

(3) MSL, Peak Temp. - The Moisture Sensitivity Level rating according to the JEDEC industry standard classifications, and peak solder temperature.

(4) There may be additional marking, which relates to the logo, the lot trace code information, or the environmental category on the device.

(5) Multiple Device Markings will be inside parentheses. Only one Device Marking contained in parentheses and separated by a "~" will appear on a device. If a line is indented then it is a continuation of the previous line and the two combined represent the entire Device Marking for that device.

(6) Lead/Ball Finish - Orderable Devices may have multiple material finish options. Finish options are separated by a vertical ruled line. Lead/Ball Finish values may wrap to two lines if the finish value exceeds the maximum column width.

Important Information and Disclaimer: The information provided on this page represents TI's knowledge and belief as of the date that it is provided. TI bases its knowledge and belief on information provided by third parties, and makes no representation or warranty as to the accuracy of such information. Efforts are underway to better integrate information from third parties. TI has taken and continues to take reasonable steps to provide representative and accurate information but may not have conducted destructive testing or chemical analysis on incoming materials and chemicals. TI and TI suppliers consider certain information to be proprietary, and thus CAS numbers and other limited information may not be available for release.

In no event shall TI's liability arising out of such information exceed the total purchase price of the TI part(s) at issue in this document sold by TI to Customer on an annual basis.

TAPE AND REEL INFORMATION



QUADRANT ASSIGNMENTS FOR PIN 1 ORIENTATION IN TAPE



*All dimensions are nominal

| Device | Package Type | Package Drawing | Pins | SPQ | Reel Diameter (mm) | Reel Width W1 (mm) | A0 (mm) | B0 (mm) | K0 (mm) | P1 (mm) | W (mm) | Pin1 Quadrant |
|--------------|--------------|-----------------|------|------|--------------------|--------------------|---------|---------|---------|---------|--------|---------------|
| INA206AIDGSR | VSSOP | DGS | 10 | 2500 | 330.0 | 12.4 | 5.3 | 3.4 | 1.4 | 8.0 | 12.0 | Q1 |
| INA206AIDGST | VSSOP | DGS | 10 | 250 | 330.0 | 12.4 | 5.3 | 3.4 | 1.4 | 8.0 | 12.0 | Q1 |
| INA206AIDR | SOIC | D | 14 | 2500 | 330.0 | 16.4 | 6.5 | 9.0 | 2.1 | 8.0 | 16.0 | Q1 |
| INA206AIPWR | TSSOP | PW | 14 | 2000 | 330.0 | 12.4 | 6.9 | 5.6 | 1.6 | 8.0 | 12.0 | Q1 |
| INA207AIDGSR | VSSOP | DGS | 10 | 2500 | 330.0 | 12.4 | 5.3 | 3.4 | 1.4 | 8.0 | 12.0 | Q1 |
| INA207AIDGST | VSSOP | DGS | 10 | 250 | 180.0 | 12.4 | 5.3 | 3.4 | 1.4 | 8.0 | 12.0 | Q1 |
| INA207AIPWR | TSSOP | PW | 14 | 2000 | 330.0 | 12.4 | 6.9 | 5.6 | 1.6 | 8.0 | 12.0 | Q1 |
| INA208AIDGSR | VSSOP | DGS | 10 | 2500 | 330.0 | 12.4 | 5.3 | 3.4 | 1.4 | 8.0 | 12.0 | Q1 |
| INA208AIDGST | VSSOP | DGS | 10 | 250 | 180.0 | 12.4 | 5.3 | 3.4 | 1.4 | 8.0 | 12.0 | Q1 |
| INA208AIDR | SOIC | D | 14 | 2500 | 330.0 | 16.4 | 6.5 | 9.0 | 2.1 | 8.0 | 16.0 | Q1 |
| INA208AIPWR | TSSOP | PW | 14 | 2000 | 330.0 | 12.4 | 6.9 | 5.6 | 1.6 | 8.0 | 12.0 | Q1 |

TAPE AND REEL BOX DIMENSIONS


*All dimensions are nominal

| Device | Package Type | Package Drawing | Pins | SPQ | Length (mm) | Width (mm) | Height (mm) |
|--------------|--------------|-----------------|------|------|-------------|------------|-------------|
| INA206AIDGSR | VSSOP | DGS | 10 | 2500 | 366.0 | 364.0 | 50.0 |
| INA206AIDGST | VSSOP | DGS | 10 | 250 | 366.0 | 364.0 | 50.0 |
| INA206AIDR | SOIC | D | 14 | 2500 | 367.0 | 367.0 | 38.0 |
| INA206AIPWR | TSSOP | PW | 14 | 2000 | 367.0 | 367.0 | 35.0 |
| INA207AIDGSR | VSSOP | DGS | 10 | 2500 | 367.0 | 367.0 | 35.0 |
| INA207AIDGST | VSSOP | DGS | 10 | 250 | 210.0 | 185.0 | 35.0 |
| INA207AIPWR | TSSOP | PW | 14 | 2000 | 367.0 | 367.0 | 35.0 |
| INA208AIDGSR | VSSOP | DGS | 10 | 2500 | 367.0 | 367.0 | 35.0 |
| INA208AIDGST | VSSOP | DGS | 10 | 250 | 210.0 | 185.0 | 35.0 |
| INA208AIDR | SOIC | D | 14 | 2500 | 367.0 | 367.0 | 38.0 |
| INA208AIPWR | TSSOP | PW | 14 | 2000 | 367.0 | 367.0 | 35.0 |

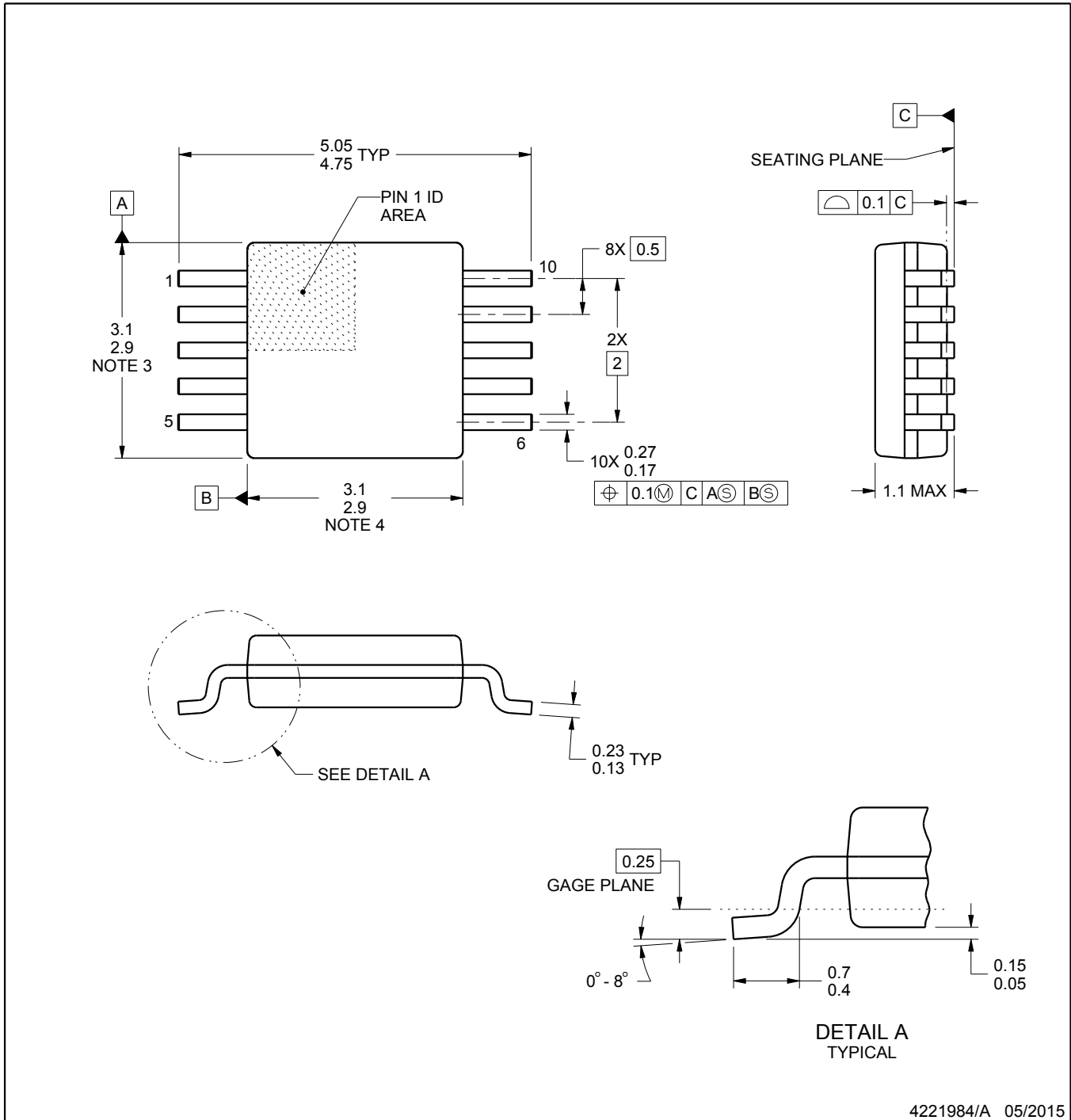
DGS0010A



PACKAGE OUTLINE

VSSOP - 1.1 mm max height

SMALL OUTLINE PACKAGE



4221984/A 05/2015

NOTES:

1. All linear dimensions are in millimeters. Any dimensions in parenthesis are for reference only. Dimensioning and tolerancing per ASME Y14.5M.
2. This drawing is subject to change without notice.
3. This dimension does not include mold flash, protrusions, or gate burrs. Mold flash, protrusions, or gate burrs shall not exceed 0.15 mm per side.
4. This dimension does not include interlead flash. Interlead flash shall not exceed 0.25 mm per side.
5. Reference JEDEC registration MO-187, variation BA.

EXAMPLE STENCIL DESIGN

DGS0010A

VSSOP - 1.1 mm max height

SMALL OUTLINE PACKAGE



SOLDER PASTE EXAMPLE
BASED ON 0.125 mm THICK STENCIL
SCALE:10X

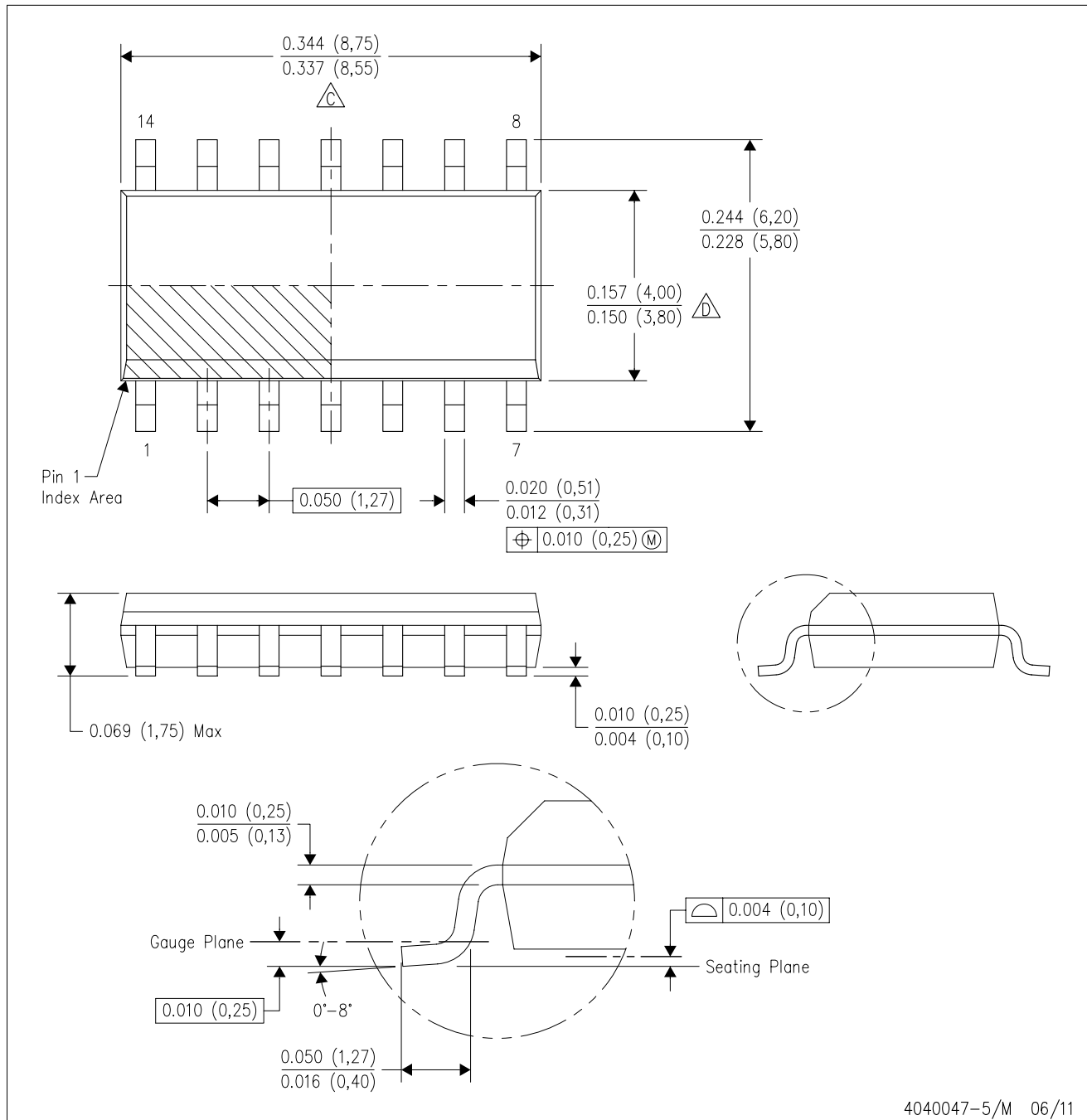
4221984/A 05/2015

NOTES: (continued)

8. Laser cutting apertures with trapezoidal walls and rounded corners may offer better paste release. IPC-7525 may have alternate design recommendations.
9. Board assembly site may have different recommendations for stencil design.

D (R-PDSO-G14)

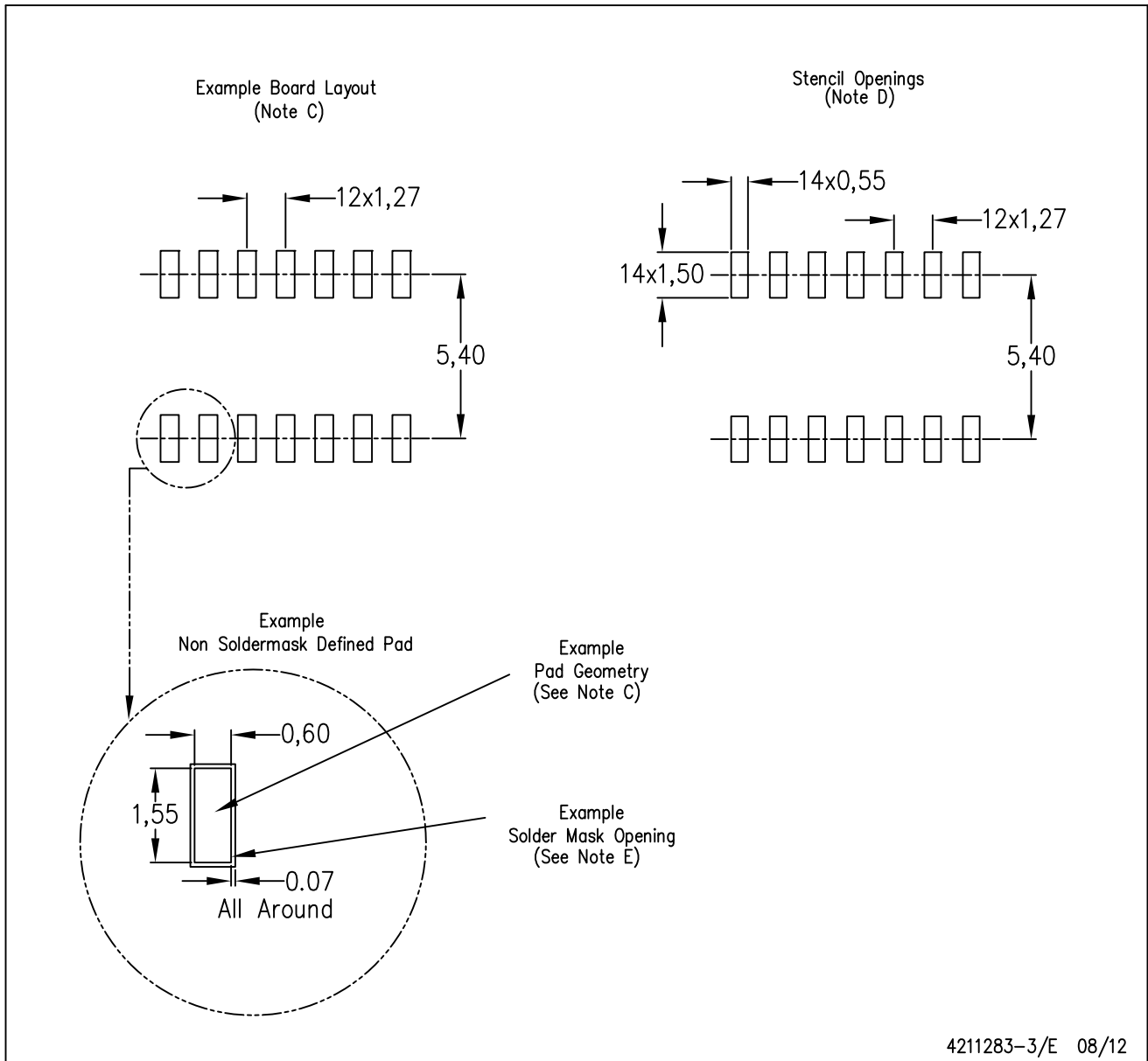
PLASTIC SMALL OUTLINE



- NOTES:
- A. All linear dimensions are in inches (millimeters).
 - B. This drawing is subject to change without notice.
 - Body length does not include mold flash, protrusions, or gate burrs. Mold flash, protrusions, or gate burrs shall not exceed 0.006 (0,15) each side.
 - Body width does not include interlead flash. Interlead flash shall not exceed 0.017 (0,43) each side.
 - E. Reference JEDEC MS-012 variation AB.

D (R-PDSO-G14)

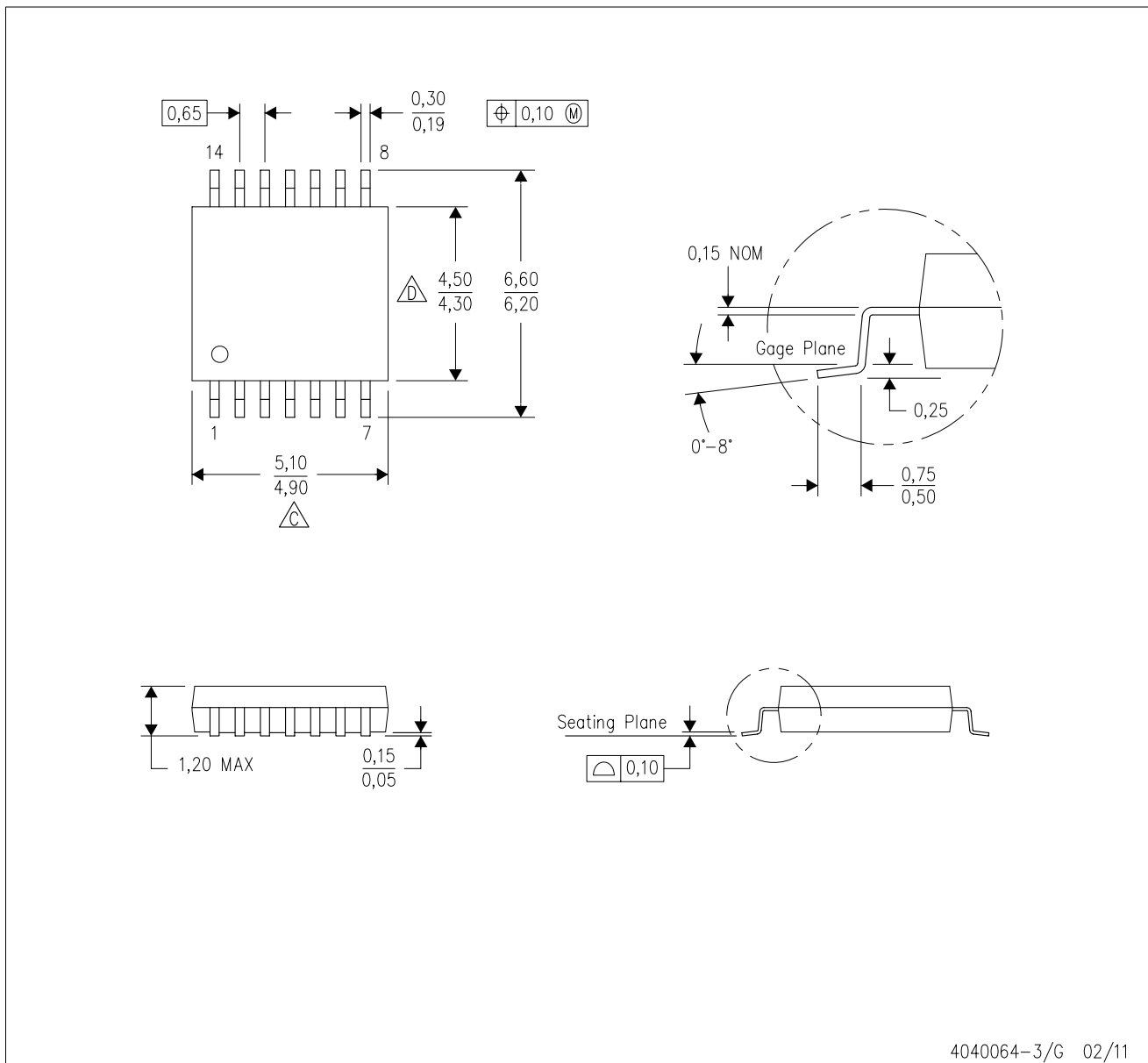
PLASTIC SMALL OUTLINE



- NOTES:
- All linear dimensions are in millimeters.
 - This drawing is subject to change without notice.
 - Publication IPC-7351 is recommended for alternate designs.
 - Laser cutting apertures with trapezoidal walls and also rounding corners will offer better paste release. Customers should contact their board assembly site for stencil design recommendations. Refer to IPC-7525 for other stencil recommendations.
 - Customers should contact their board fabrication site for solder mask tolerances between and around signal pads.

PW (R-PDSO-G14)

PLASTIC SMALL OUTLINE



- NOTES:
- A. All linear dimensions are in millimeters. Dimensioning and tolerancing per ASME Y14.5M-1994.
 - B. This drawing is subject to change without notice.
 - C. Body length does not include mold flash, protrusions, or gate burrs. Mold flash, protrusions, or gate burrs shall not exceed 0,15 each side.
 - D. Body width does not include interlead flash. Interlead flash shall not exceed 0,25 each side.
 - E. Falls within JEDEC MO-153

PW (R-PDSO-G14)

PLASTIC SMALL OUTLINE



- NOTES:
- All linear dimensions are in millimeters.
 - This drawing is subject to change without notice.
 - Publication IPC-7351 is recommended for alternate designs.
 - Laser cutting apertures with trapezoidal walls and also rounding corners will offer better paste release. Customers should contact their board assembly site for stencil design recommendations. Refer to IPC-7525 for other stencil recommendations.
 - Customers should contact their board fabrication site for solder mask tolerances between and around signal pads.

IMPORTANT NOTICE AND DISCLAIMER

TI PROVIDES TECHNICAL AND RELIABILITY DATA (INCLUDING DATASHEETS), DESIGN RESOURCES (INCLUDING REFERENCE DESIGNS), APPLICATION OR OTHER DESIGN ADVICE, WEB TOOLS, SAFETY INFORMATION, AND OTHER RESOURCES "AS IS" AND WITH ALL FAULTS, AND DISCLAIMS ALL WARRANTIES, EXPRESS AND IMPLIED, INCLUDING WITHOUT LIMITATION ANY IMPLIED WARRANTIES OF MERCHANTABILITY, FITNESS FOR A PARTICULAR PURPOSE OR NON-INFRINGEMENT OF THIRD PARTY INTELLECTUAL PROPERTY RIGHTS.

These resources are intended for skilled developers designing with TI products. You are solely responsible for (1) selecting the appropriate TI products for your application, (2) designing, validating and testing your application, and (3) ensuring your application meets applicable standards, and any other safety, security, or other requirements. These resources are subject to change without notice. TI grants you permission to use these resources only for development of an application that uses the TI products described in the resource. Other reproduction and display of these resources is prohibited. No license is granted to any other TI intellectual property right or to any third party intellectual property right. TI disclaims responsibility for, and you will fully indemnify TI and its representatives against, any claims, damages, costs, losses, and liabilities arising out of your use of these resources.

TI's products are provided subject to TI's Terms of Sale (www.ti.com/legal/termsofsale.html) or other applicable terms available either on ti.com or provided in conjunction with such TI products. TI's provision of these resources does not expand or otherwise alter TI's applicable warranties or warranty disclaimers for TI products.

Mailing Address: Texas Instruments, Post Office Box 655303, Dallas, Texas 75265
Copyright © 2019, Texas Instruments Incorporated

Looking for pricing, stock, or lifecycle information?

Click below to explore more details on WIN SOURCE:

 [View INA206AIPW](#) on WIN SOURCE

 [Texas Instruments](#) Information

Optimize Your Supply Chain with WIN SOURCE Solutions

-  Global Sourcing Solution
-  Obsolete Management
-  Cost Control Management
-  Shortage Management
-  Alternative Solution
-  Excess Inventory Management