

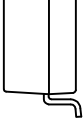
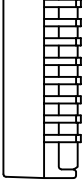
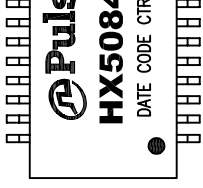


**THE DATASHEET OF
HX5084NL**



NOTES:

1. ROHS COMPLIANT
2. HEADER: DAP (DIALLYL PHTHALATE) WITH FLAMMABILITY RATING UL 94V-0 OR BETTER.
3. STORAGE TEMPERATURE: -50°C TO +125°C
4. COMPLIANCE TO J-STD:
 - A. J-STD-002: SOLDERABILITY AT 245°C REFLOW PROFILE
 - B. J-STD-020: LEVEL 1, NO MOISTURE SENSITIVE
 - C. J-STD-075: R7, 245°C MAXIMUM THROUGH REFLOW SOLDER
5. TO ORDER TAPE & REEL PACKAGING ADD A "T" SUFFIX TO THE PART NUMBER(i.e HX5084NL BECOMES HX5084NLT).



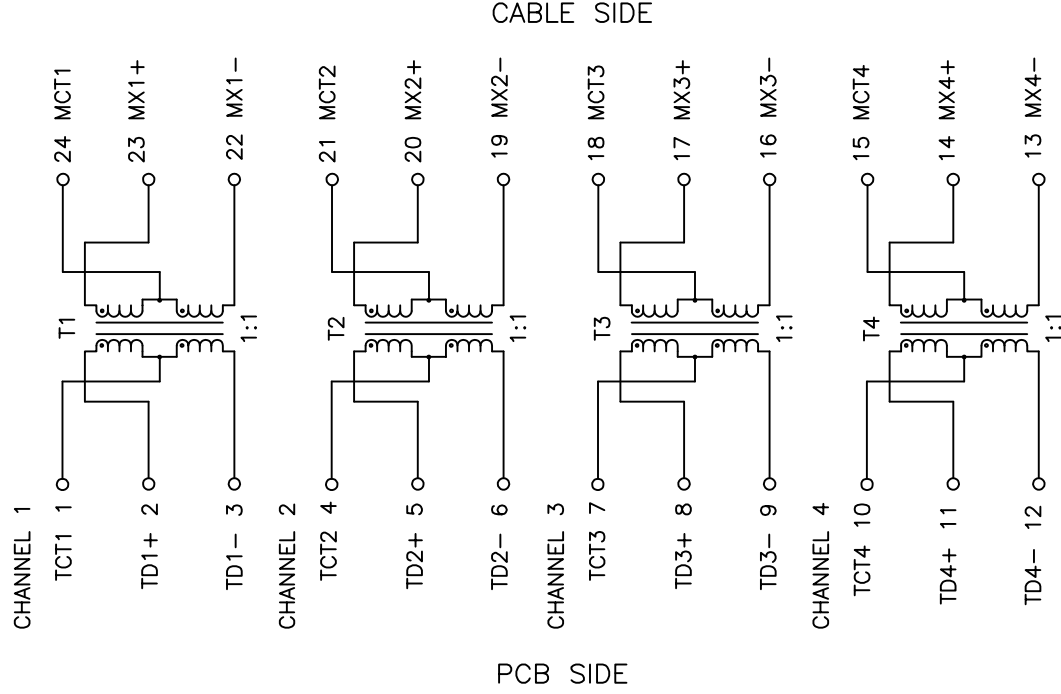
FINAL O

© Copyright, 2015. Pulse Electronics Corp. All rights reserved. Pulse confidential & proprietary. (09/21/15)

PRODUCT DESCRIPTION	TLA DRAWING	PS DRAWING	SHEET
MDL,SIN,1GD,1:1,SM,TU	HX5084NL-12	PS-2325.001-C	1 OF 3

E-MAIL: PRODINFONETWORK@PULSEELECTRONICS.COM(US). ASIA@PULSEELECTRONICS.COM(Asia)

PHONE: USA:858 674 8100, GERMANY:49 7032 78060, SINGAPORE:65



SCHEMATIC

© Copyright, 2015. Pulse Electronics Corp. All rights reserved. Pulse confidential & proprietary. (09/21/15)

PRODUCT DESCRIPTION	TLA DRAWING	PS DRAWING	SHEET
MDL,SIN,1GD,1:1,SM,TU	HX5084NL-12	PS-2325.001-C	2 OF 3

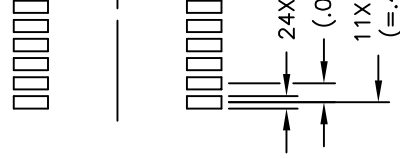
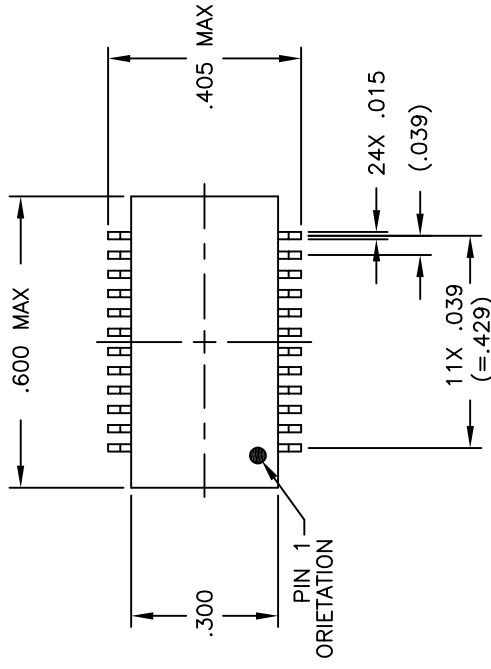
E-MAIL: PRODINFONETWORK@PULSEELECTRONICS.COM(US). ASIA@PULSEELECTRONICS.COM(Asia)

PHONE: USA:858 674 8100, GERMANY:49 7032 78060, SINGAPORE:65

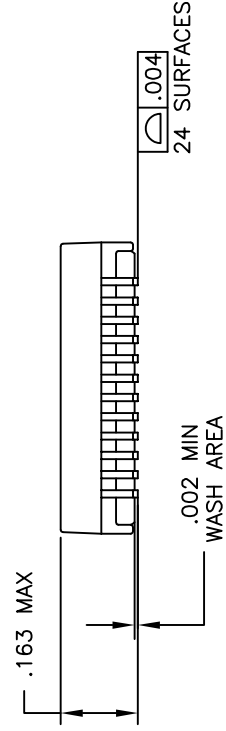
ELECTRICAL CHARACTERISTICS
MEETS IEEE

PARAMETER	
OPERATING TEMPERATURE	
URNS RATIO	
POLARITY	1C
INSERTION LOSS	-1.2
RETURN LOSS	.1
(Z OUT = 100 OHM ±15%)	-16
INDUCTANCE (OCL)	350
(MEDIA SIDE, -40°C-85°C)	
CROSSTALK, ADJACENT CHANNELS	1
	-50
COMMON MODE REJECTION RATIO	2
	-50
INPUT - OUTPUT ISOLATION	

NOTE: f IS FREQUENCY IN MHz



SUGGESTED LA



DIMENSIONS ARE IN INCHES [MILLIMETERS] WITH THE FOLLOWING TOLERANCES: [MILLIMETERS] ARE FOR REFERENCE ONLY.
 .XX = ±.01 [±0.25]
 .XXX = ±.005 [±0.13]

© Copyright, 2015. Pulse Electronics Corp. All rights reserved. Pulse confidential & proprietary. (09/21/15)



PRODUCT DESCRIPTION	TLA DRAWING	PS DRAWING	SHEET
MDL,SIN,1GD,1:1,SM,TU	HX5084NL-12	PS-2325.001-C	3 OF 3

E-MAIL: PRODINFONETWORK@PULSEELECTRONICS.COM(US). ASIA@PULSEELECTRONICS.COM(Asia)

PHONE: USA:858 674 8100, GERMANY:49 7032 78060, SINGAPORE:65

Looking for pricing, stock, or lifecycle information?

Click below to explore more details on WIN SOURCE:

-  [View HX5084NL on WIN SOURCE](#)
-  [Pulse Information](#)

Optimize Your Supply Chain with WIN SOURCE Solutions

-  Global Sourcing Solution
-  Obsolete Management
-  Cost Control Management
-  Shortage Management
-  Alternative Solution
-  Excess Inventory Management