



**THE DATASHEET OF  
SG1503Y**



# SN74LV244A Octal Buffers and Drivers With 3-State Outputs

## 1 Features

- $V_{CC}$  operation of 2 V to 5.5 V
- Maximum  $t_{pd}$  of 6.5 ns at 5 V
- Typical  $V_{OLP}$  (output ground bounce) < 0.8 V at  $V_{CC} = 3.3$  V,  $T_A = 25^\circ\text{C}$
- Typical  $V_{OHV}$  (output  $V_{OH}$  undershoot) > 2.3 V at  $V_{CC} = 3.3$  V,  $T_A = 25^\circ\text{C}$
- Support mixed-mode voltage operation on all ports
- $I_{off}$  supports partial-power-down mode operation
- Latch-up performance exceeds 250-mA per JESD 17

## 2 Applications

- Servers and network switches
- LED displays
- Telecom infrastructure
- Motor-drive control boards

## 3 Description

The SN74LV244A octal buffers and line drivers are designed for 2-V to 5.5-V  $V_{CC}$  operation.

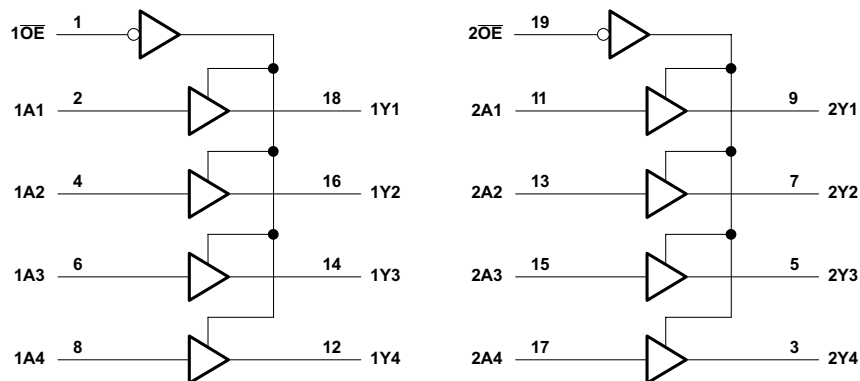
The SN74LV244A devices are designed specifically to improve both performance and density of the 3-state memory address drivers, clock drivers, and bus-oriented receivers and transmitters. These devices are organized as two 4-bit line drivers with separate output-enable ( $\overline{OE}$ ) inputs.

### Package Information

| PART NUMBER | PACKAGE <sup>1</sup> | PACKAGE SIZE <sup>2</sup> |
|-------------|----------------------|---------------------------|
| SN74LV244A  | DB (SSOP, 20)        | 7.2 mm × 7.8 mm           |
|             | DGV (TVSOP, 20)      | 5.00 mm × 6.4 mm          |
|             | DW (SOIC, 20)        | 12.80 mm × 10.3 mm        |
|             | NS (SO, 20)          | 12.60 mm × 5.30 mm        |
|             | PW (TSSOP, 20)       | 6.50 mm × 7.8 mm          |
|             | RGY (VQFN, 20)       | 4.5 mm × 3.50 mm          |
|             | RKS (VQFN, 20)       | 4.50 mm × 2.50 mm         |
|             | DGS (VSSOP, 20)      | 5.10 mm × 4.9 mm          |

(1) For all available packages, see the orderable addendum at the end of the data sheet.

(2) The package size (length × width) is a nominal value and includes pins, where applicable.



Logic Diagram (Positive Logic)



## Table of Contents

|   |    |  |    |
|---|----|--|----|
| <b>1 Features</b> .....   | 1  | 8.1 Overview.....  | 10 |
| <b>2 Applications</b> .....   | 1  | 8.2 Functional Block Diagram.....                                | 10 |
| <b>3 Description</b> .....  | 1  | 8.3 Feature Description.....                                     | 10 |
| <b>4 Revision History</b> .....   | 2  | 8.4 Device Functional Modes.....                                 | 11 |
| <b>5 Pin Configuration and Functions</b> .....                                | 3  | <b>9 Application and Implementation</b> .....                    | 12 |
| <b>6 Specifications</b> .....   | 4  | 9.1 Application Information.....                                 | 12 |
| 6.1 Absolute Maximum Ratings.....   | 4  | 9.2 Typical Application.....                                     | 12 |
| 6.2 ESD Ratings.....  | 4  | 9.3 Power Supply Recommendations.....                            | 15 |
| 6.3 Recommended Operating Conditions.....                                     | 5  | 9.4 Layout.....  | 15 |
| 6.4 Thermal Information.....  | 5  | <b>10 Device and Documentation Support</b> .....                 | 16 |
| 6.5 Electrical Characteristics.....   | 6  | 10.1 Documentation Support.....                                  | 16 |
| 6.6 Noise Characteristics.....  | 6  | 10.2 Receiving Notification of Documentation Updates.....        | 16 |
| 6.7 Operating Characteristics.....  | 6  | 10.3 Support Resources.....                                      | 16 |
| 6.8 Switching Characteristics: $V_{CC} = 2.5\text{ V} \pm 0.2\text{ V}$ ..... | 7  | 10.4 Trademarks.....   | 16 |
| 6.9 Switching Characteristics: $V_{CC} = 3.3\text{ V} \pm 0.3\text{ V}$ ..... | 7  | 10.5 Electrostatic Discharge Caution.....                        | 16 |
| 6.10 Switching Characteristics: $V_{CC} = 5\text{ V} \pm 0.5\text{ V}$ .....  | 7  | 10.6 Glossary.....   | 16 |
| 6.11 Typical Characteristics.....   | 8  | <b>11 Mechanical, Packaging, and Orderable Information</b> ..... | 16 |
| <b>7 Parameter Measurement Information</b> .....                              | 9  |  |    |
| <b>8 Detailed Description</b> .....   | 10 |  |    |

## 4 Revision History

NOTE: Page numbers for previous revisions may differ from page numbers in the current version.

| Changes from Revision Q (March 2023) to Revision R (August 2023)   | Page |
|--|------|
| • Added <i>DB</i> package and replaced body size with package size in <i>Package Information</i> table.....  | 1    |
| • Updated thermal values for <i>PW</i> package from $R\theta_{JA} = 102.6$ to $128.2$ , $R\theta_{JC}(\text{top}) = 36.7$ to $70.5$ , $R\theta_{JB} = 53.6$ to $79.3$ , $\Psi_{JT} = 2.4$ to $23.4$ , $\Psi_{JB} = 53.1$ to $78.9$ , all values in $^{\circ}\text{C}/\text{W}$ ..... | 5    |

| Changes from Revision P (January 2023) to Revision Q (March 2023)  | Page |
|--|------|
| • Updated thermal values for <i>DB</i> package from $R\theta_{JA} = 94.7$ to $118.2$ , $R\theta_{JC}(\text{top}) = 56.7$ to $77.2$ , $R\theta_{JB} = 49.9$ to $73$ , $\Psi_{JT} = 18.7$ to $42.2$ , $\Psi_{JB} = 49.5$ to $72.6$ , all values in $^{\circ}\text{C}/\text{W}$ .....   | 5    |
| • Updated thermal values for <i>DW</i> package from $R\theta_{JA} = 79.4$ to $102.3$ , $R\theta_{JC}(\text{top}) = 43.8$ to $69.9$ , $R\theta_{JB} = 47.2$ to $70.8$ , $\Psi_{JT} = 18.8$ to $46.4$ , $\Psi_{JB} = 46.7$ to $70.4$ , all values in $^{\circ}\text{C}/\text{W}$ ..... | 5    |
| • Updated thermal values for <i>NS</i> package from $R\theta_{JA} = 76.9$ to $108.1$ , $R\theta_{JC}(\text{top}) = 43.4$ to $73.9$ , $R\theta_{JB} = 44.5$ to $73.1$ , $\Psi_{JT} = 17.0$ to $44.1$ , $\Psi_{JB} = 44.1$ to $72.8$ , all values in $^{\circ}\text{C}/\text{W}$ ..... | 5    |

## 5 Pin Configuration and Functions

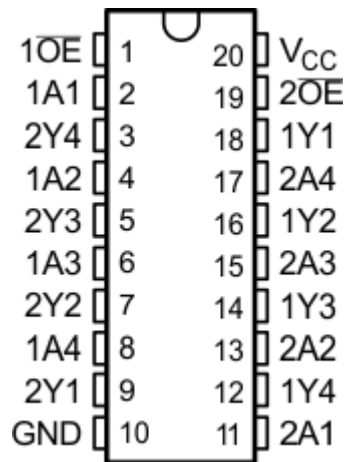


Figure 5-1. DB, DGV, DW, NS, PW, or DGS Package, 20-Pin SSOP, TVSOP, SOIC, SO, TSSOP, or VSSOP (Top View)

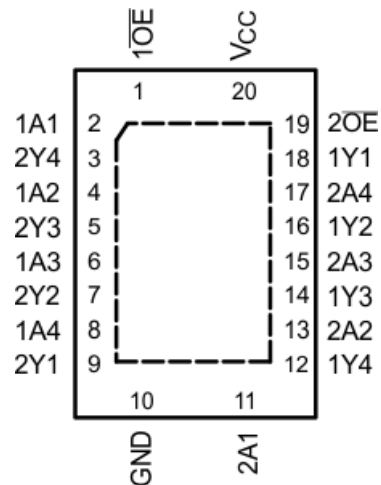


Figure 5-2. RGY and RKS Package, 20-Pin VQFN With Exposed Thermal Pad (Top View)

Table 5-1. Pin Functions

| PIN                        |     | TYPE <sup>(1)</sup> | DESCRIPTION   |
|----------------------------|-----|---------------------|---|
| NAME                       | NO. |                     |   |
| 1A1                        | 2   | I                   | Input   |
| 1A2                        | 4   | I                   | Input   |
| 1A3                        | 6   | I                   | Input   |
| 1A4                        | 8   | I                   | Input   |
| 1OE                        | 1   | I                   | Output enable   |
| 1Y1                        | 18  | O                   | Output  |
| 1Y2                        | 16  | O                   | Output  |
| 1Y3                        | 14  | O                   | Output  |
| 1Y4                        | 12  | O                   | Output  |
| 2A1                        | 11  | I                   | Input   |
| 2A2                        | 13  | I                   | Input   |
| 2A3                        | 15  | I                   | Input   |
| 2A4                        | 17  | I                   | Input   |
| 2OE                        | 19  | I                   | Output enable   |
| 2Y1                        | 9   | O                   | Output  |
| 2Y2                        | 7   | O                   | Output  |
| 2Y3                        | 5   | O                   | Output  |
| 2Y4                        | 3   | O                   | Output  |
| GND                        | 10  | —                   | Ground  |
| V <sub>CC</sub>            | 20  | —                   | Power pin   |
| Thermal pad <sup>(2)</sup> |     | —                   | The thermal pad can be connected to GND or left floating. Do not connect to any other signal or supply. |

(1) Signal Types: I = Input, O = Output, I/O = Input or Output

(2) RKS package only

## 6 Specifications

### 6.1 Absolute Maximum Ratings

over operating free-air temperature range (unless otherwise noted)<sup>(1)</sup>

|                  |   | MIN                                   | MAX                   | UNIT |
|------------------|---|---------------------------------------|-----------------------|------|
| V <sub>CC</sub>  | Supply voltage  | -0.5                                  | 7                     | V    |
| V <sub>I</sub>   | Input voltage <sup>(2)</sup>  | -0.5                                  | 7                     | V    |
| V <sub>O</sub>   | Voltage range applied to any output in the high-impedance or power-off state <sup>(2)</sup> | -0.5                                  | 7                     | V    |
| V <sub>O</sub>   | Output voltage <sup>(2)</sup> <sup>(3)</sup>  | -0.5                                  | V <sub>CC</sub> + 0.5 | V    |
| I <sub>IK</sub>  | Input clamp current   | V <sub>I</sub> < 0                    | -20                   | mA   |
| I <sub>OK</sub>  | Output clamp current  | V <sub>O</sub> < 0                    | -50                   | mA   |
| I <sub>O</sub>   | Continuous output current   | V <sub>O</sub> = 0 to V <sub>CC</sub> | ±35                   | mA   |
|                  | Continuous current through V <sub>CC</sub> or GND   |                                       | ±70                   | mA   |
| T <sub>J</sub>   | Junction temperature  | -65                                   | 150                   | °C   |
| T <sub>stg</sub> | Storage temperature   | -65                                   | 150                   | °C   |

- (1) Stresses beyond those listed under *Absolute Maximum Ratings* may cause permanent damage to the device. These are stress ratings only, and functional operation of the device at these or any other conditions beyond those indicated under *Recommended Operating Conditions* is not implied. Exposure to absolute-maximum-rated conditions for extended periods may affect device reliability.
- (2) The input and output negative-voltage ratings may be exceeded if the input and output current ratings are observed.
- (3) This value is limited to 5.5-V maximum.

### 6.2 ESD Ratings

|                    |                         | VALUE   | UNIT  |
|--------------------|-------------------------|---|-------|
| V <sub>(ESD)</sub> | Electrostatic discharge | Human body model (HBM), per ANSI/ESDA/JEDEC JS-001 <sup>(1)</sup>     | ±2000 |
|                    |                         | Charged-device model (CDM), per ANSI/ESDA/JEDEC JS-002 <sup>(2)</sup> | ±1000 |

- (1) JEDEC document JEP155 states that 500-V HBM allows safe manufacturing with a standard ESD control process.
- (2) JEDEC document JEP157 states that 250-V CDM allows safe manufacturing with a standard ESD control process.

### 6.3 Recommended Operating Conditions

over operating free-air temperature range (unless otherwise noted)<sup>(1)</sup>

|                 |                                    | MIN                              | MAX                   | UNIT            |      |
|-----------------|------------------------------------|----------------------------------|-----------------------|-----------------|------|
| V <sub>CC</sub> | Supply voltage                     | 2                                | 5.5                   | V               |      |
| V <sub>IH</sub> | High-level input voltage           | V <sub>CC</sub> = 2 V            | 1.5                   | V               |      |
|                 |                                    | V <sub>CC</sub> = 2.3 V to 2.7 V | V <sub>CC</sub> × 0.7 |                 |      |
|                 |                                    | V <sub>CC</sub> = 3 V to 3.6 V   | V <sub>CC</sub> × 0.7 |                 |      |
|                 |                                    | V <sub>CC</sub> = 4.5 V to 5.5 V | V <sub>CC</sub> × 0.7 |                 |      |
| V <sub>IL</sub> | Low-level input voltage            | V <sub>CC</sub> = 2 V            | 0.5                   | V               |      |
|                 |                                    | V <sub>CC</sub> = 2.3 V to 2.7 V | V <sub>CC</sub> × 0.3 |                 |      |
|                 |                                    | V <sub>CC</sub> = 3 V to 3.6 V   | V <sub>CC</sub> × 0.3 |                 |      |
|                 |                                    | V <sub>CC</sub> = 4.5 V to 5.5 V | V <sub>CC</sub> × 0.3 |                 |      |
| V <sub>I</sub>  | Input voltage                      | 0                                | 5.5                   | V               |      |
| V <sub>O</sub>  | Output voltage                     | High or low state                | 0                     | V <sub>CC</sub> | V    |
|                 |                                    | 3-state                          | 0                     | 5.5             |      |
| I <sub>OH</sub> | High-level output current          | V <sub>CC</sub> = 2 V            |                       | -50             | μA   |
|                 |                                    | V <sub>CC</sub> = 2.3 V to 2.7 V |                       | -2              | mA   |
|                 |                                    | V <sub>CC</sub> = 3 V to 3.6 V   |                       | -8              |      |
|                 |                                    | V <sub>CC</sub> = 4.5 V to 5.5 V |                       | -16             |      |
| I <sub>OL</sub> | Low-level output current           | V <sub>CC</sub> = 2 V            |                       | 50              | μA   |
|                 |                                    | V <sub>CC</sub> = 2.3 V to 2.7 V |                       | 2               | mA   |
|                 |                                    | V <sub>CC</sub> = 3 V to 3.6 V   |                       | 8               |      |
|                 |                                    | V <sub>CC</sub> = 4.5 V to 5.5 V |                       | 16              |      |
| Δt/Δv           | Input transition rise or fall rate | V <sub>CC</sub> = 2.3 V to 2.7 V |                       | 200             | ns/V |
|                 |                                    | V <sub>CC</sub> = 3 V to 3.6 V   |                       | 100             |      |
|                 |                                    | V <sub>CC</sub> = 4.5 V to 5.5 V |                       | 20              |      |
| T <sub>A</sub>  | Operating free-air temperature     | -40                              | 125                   | °C              |      |

(1) All unused inputs of the device must be held at V<sub>CC</sub> or GND to ensure proper device operation. Refer to the TI application report, *Implications of Slow or Floating CMOS Inputs*, [SCBA004](#).

### 6.4 Thermal Information

| THERMAL METRIC <sup>(1)</sup> |  | SN74LV244A   |                |              |            |               |               |               |                | UNIT |
|-------------------------------|--|--------------|----------------|--------------|------------|---------------|---------------|---------------|----------------|------|
|                               |  | DB<br>(SSOP) | DGV<br>(TVSOP) | DW<br>(SOIC) | NS<br>(SO) | PW<br>(TSSOP) | RGY<br>(VQFN) | RKS<br>(VQFN) | DGS<br>(VSSOP) |      |
|                               |  | 20 PINS      | 20 PINS        | 20 PINS      | 20 PINS    | 20 PINS       | 20 PINS       | 20 PINS       | 20 PINS        |      |
| R <sub>θJA</sub>              | Junction-to-ambient thermal resistance       | 118.2        | 115.9          | 102.3        | 108.1      | 128.2         | 34.9          | 75.2          | 125.5          | °C/W |
| R <sub>θJC(top)</sub>         | Junction-to-case (top) thermal resistance    | 77.2         | 31.1           | 69.9         | 73.9       | 70.5          | 43.1          | 79.4          | 80.0           | °C/W |
| R <sub>θJB</sub>              | Junction-to-board thermal resistance         | 73           | 57.4           | 70.8         | 73.1       | 79.3          | 12.7          | 47.8          | 63.8           | °C/W |
| ψ <sub>JT</sub>               | Junction-to-top characterization parameter   | 42.2         | 1.0            | 46.4         | 44.1       | 23.4          | 0.9           | 14.6          | 8.4            | °C/W |
| ψ <sub>JB</sub>               | Junction-to-board characterization parameter | 72.6         | 56.7           | 70.4         | 72.8       | 78.9          | 12.8          | 47.8          | 79.9           | °C/W |
| R <sub>θJC(bot)</sub>         | Junction-to-case (bottom) thermal resistance | N/A          | N/A            | N/A          | N/A        | N/A           | 7.8           | 31.5          | N/A            | °C/W |

(1) For more information about traditional and new thermal metrics, see the *Semiconductor and IC Package Thermal Metrics* application report, [SPRA953](#).

## 6.5 Electrical Characteristics

over recommended operating free-air temperature range (unless otherwise noted)

| PARAMETER        |   | TEST CONDITIONS   | V <sub>CC</sub> | MIN                   | TYP | MAX  | UNIT |
|------------------|---|---|-----------------|-----------------------|-----|------|------|
| V <sub>OH</sub>  | High level output voltage   | I <sub>OH</sub> = -50 μA                                    | 2 V to 5.5 V    | V <sub>CC</sub> - 0.1 |     |      | V    |
|                  |   | I <sub>OH</sub> = -2 mA                                     | 2.3 V           | 2                     |     |      |      |
|                  |   | I <sub>OH</sub> = -8 mA                                     | 3 V             | 2.48                  |     |      |      |
|                  |   | I <sub>OH</sub> = 16 mA                                     | 4.5 V           | 3.8                   |     |      |      |
| V <sub>OL</sub>  | Low level output voltage  | I <sub>OL</sub> = 50 μA                                     | 2 V to 5.5 V    |                       |     | 0.1  | V    |
|                  |   | I <sub>OL</sub> = 2 mA                                      | 2.3 V           |                       |     | 0.4  |      |
|                  |   | I <sub>OL</sub> = 8 mA                                      | 3 V             |                       |     | 0.44 |      |
|                  |   | I <sub>OL</sub> = 16 mA                                     | 4.5 V           |                       |     | 0.55 |      |
| I <sub>I</sub>   | Input leakage current   | V <sub>I</sub> = 5.5 V or GND                               | 0 to 5.5 V      |                       |     | ±1   | μA   |
| I <sub>OZ</sub>  | Off-State (High-Impedance State) Output Current (of a 3-State Output) | V <sub>O</sub> = V <sub>CC</sub> or GND                     | 5.5 V           |                       |     | ±5   | μA   |
| I <sub>CC</sub>  | Supply current  | V <sub>I</sub> = V <sub>CC</sub> or GND, I <sub>O</sub> = 0 | 5.5 V           |                       |     | 20   | μA   |
| I <sub>off</sub> | Input/Output Power-Off Leakage Current                                | V <sub>I</sub> or V <sub>O</sub> = 0 to 5.5 V               | 0               |                       |     | 5    | μA   |
| C <sub>i</sub>   | Input capacitance   | V <sub>I</sub> = V <sub>CC</sub> or GND                     | 3.3 V           |                       | 2.3 |      | pF   |

## 6.6 Noise Characteristics

V<sub>CC</sub> = 3.3 V, C<sub>L</sub> = 50 pF, T<sub>A</sub> = 25°C<sup>(1)</sup>

|                    |                                  | MIN  | TYP  | MAX  | UNIT |
|--------------------|----------------------------------|------|------|------|------|
| V <sub>OL(P)</sub> | Quiet output, maximum dynamic    |      | 0.55 |      | V    |
| V <sub>OL(V)</sub> | Quiet output, minimum dynamic    |      | -0.5 |      | V    |
| V <sub>OH(V)</sub> | Quiet output, minimum dynamic    |      | 2.9  |      | V    |
| V <sub>IH(D)</sub> | High-level dynamic input voltage | 2.31 |      |      | V    |
| V <sub>IL(D)</sub> | Low-level dynamic input voltage  |      |      | 0.99 | V    |

(1) Characteristics are for surface-mount packages only.

## 6.7 Operating Characteristics

T<sub>A</sub> = 25°C

| PARAMETER       |                               | TEST CONDITIONS                   | V <sub>CC</sub> | TYP | UNIT |
|-----------------|-------------------------------|-----------------------------------|-----------------|-----|------|
| C <sub>pd</sub> | Power dissipation capacitance | C <sub>L</sub> = 50 pF f = 10 MHz | 3.3 V           | 14  | pF   |
|                 |                               |                                   | 5 V             | 16  |      |

### 6.8 Switching Characteristics: $V_{CC} = 2.5\text{ V} \pm 0.2\text{ V}$

over operating free-air temperature range (unless otherwise noted), (see [Load Circuit and Voltage Waveforms](#))

| PARAMETER   | FROM (INPUT)    | TO (OUTPUT) | LOAD CAP             | 25°C |      |      | –40°C to 125°C |     |     | UNIT |
|-------------|-----------------|-------------|----------------------|------|------|------|----------------|-----|-----|------|
|             |                 |             |                      | MIN  | TYP  | MAX  | MIN            | TYP | MAX |      |
| $t_{pd}$    | A               | Y           | $C_L = 15\text{ pF}$ |      | 7.5  | 12.5 | 1              |     | 15  | ns   |
|             |                 |             | $C_L = 50\text{ pF}$ |      | 9.5  | 15.3 | 1              |     | 18  |      |
| $t_{en}$    | $\overline{OE}$ | Y           | $C_L = 15\text{ pF}$ |      | 8.9  | 14.6 | 1              |     | 17  | ns   |
|             |                 |             | $C_L = 50\text{ pF}$ |      | 10.8 | 17.8 | 1              |     | 21  |      |
| $t_{dis}$   | $\overline{OE}$ | Y           | $C_L = 15\text{ pF}$ |      | 9.1  | 14.1 | 1              |     | 16  | ns   |
|             |                 |             | $C_L = 50\text{ pF}$ |      | 13.4 | 19.2 | 1              |     | 21  |      |
| $t_{sk(o)}$ |                 |             | $C_L = 50\text{ pF}$ |      |      | 2    |                |     | 2   | ns   |

### 6.9 Switching Characteristics: $V_{CC} = 3.3\text{ V} \pm 0.3\text{ V}$

over operating free-air temperature range (unless otherwise noted), (see [Load Circuit and Voltage Waveforms](#))

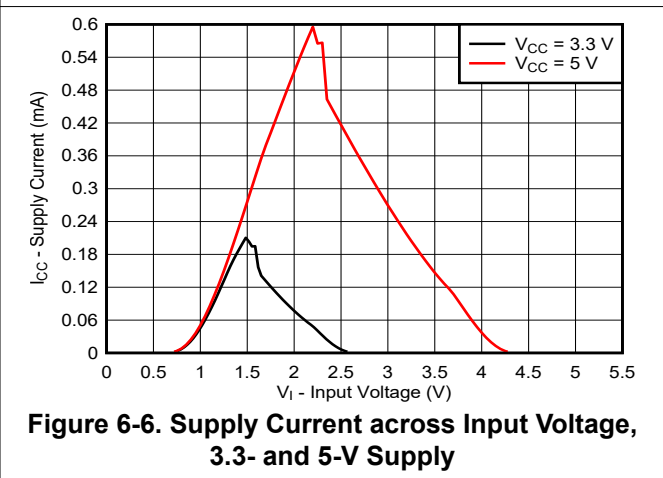
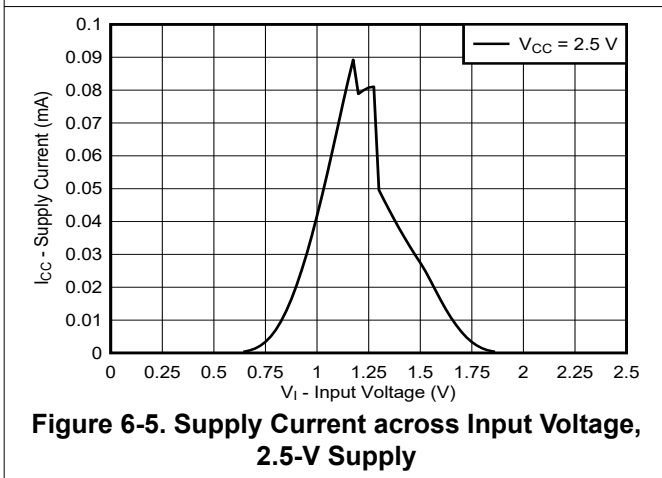
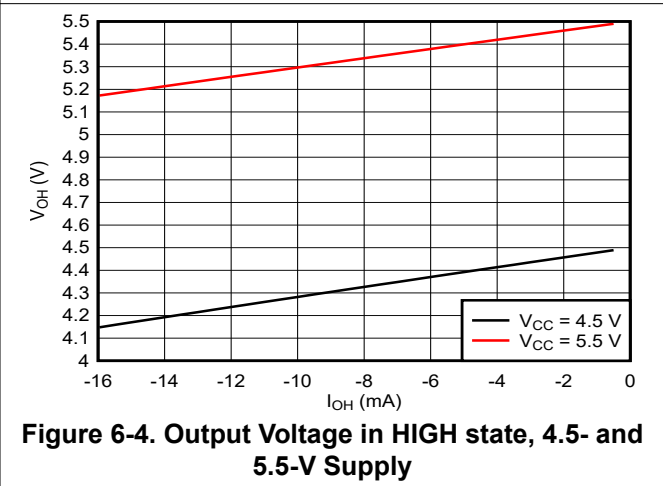
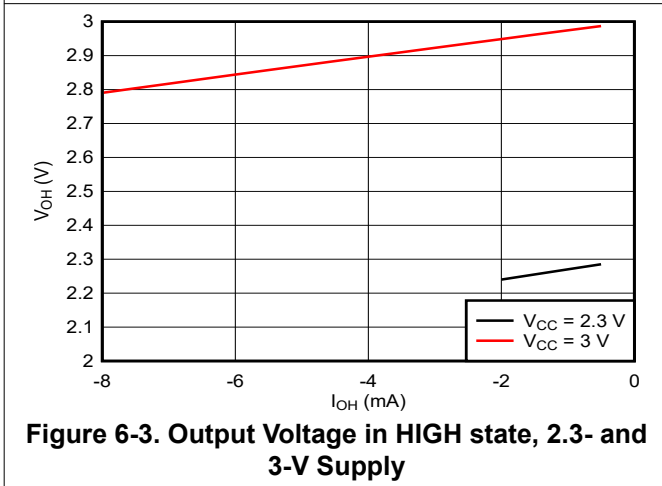
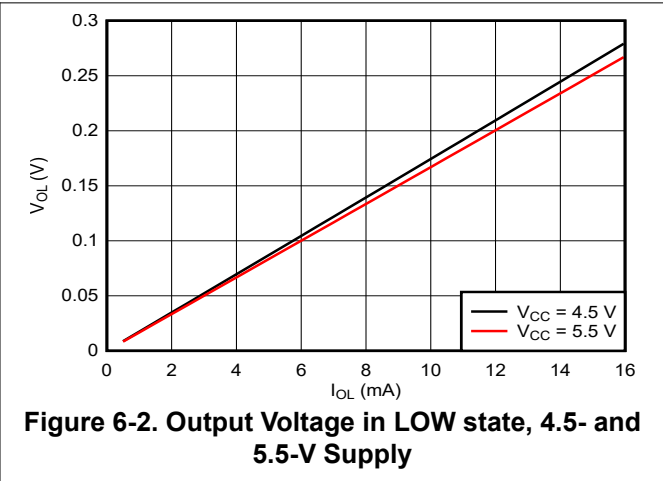
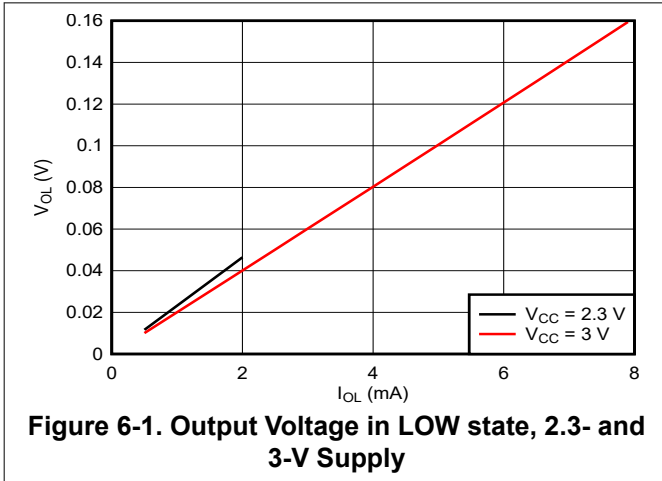
| PARAMETER   | FROM (INPUT)    | TO (OUTPUT) | LOAD CAP             | 25°C |     |      | –40°C to 125°C |     |      | UNIT |
|-------------|-----------------|-------------|----------------------|------|-----|------|----------------|-----|------|------|
|             |                 |             |                      | MIN  | TYP | MAX  | MIN            | TYP | MAX  |      |
| $t_{pd}$    | A               | Y           | $C_L = 15\text{ pF}$ |      | 5.4 | 8.4  | 1              |     | 10   | ns   |
|             |                 |             | $C_L = 50\text{ pF}$ |      | 6.8 | 11.9 | 1              |     | 13.5 |      |
| $t_{en}$    | $\overline{OE}$ | Y           | $C_L = 15\text{ pF}$ |      | 6.3 | 10.6 | 1              |     | 12.5 | ns   |
|             |                 |             | $C_L = 50\text{ pF}$ |      | 7.8 | 14.1 | 1              |     | 16   |      |
| $t_{dis}$   | $\overline{OE}$ | Y           | $C_L = 15\text{ pF}$ |      | 7.6 | 11.7 | 1              |     | 13   | ns   |
|             |                 |             | $C_L = 50\text{ pF}$ |      | 11  | 16   | 1              |     | 18   |      |
| $t_{sk(o)}$ |                 |             | $C_L = 50\text{ pF}$ |      |     | 1.5  |                |     | 1.5  | ns   |

### 6.10 Switching Characteristics: $V_{CC} = 5\text{ V} \pm 0.5\text{ V}$

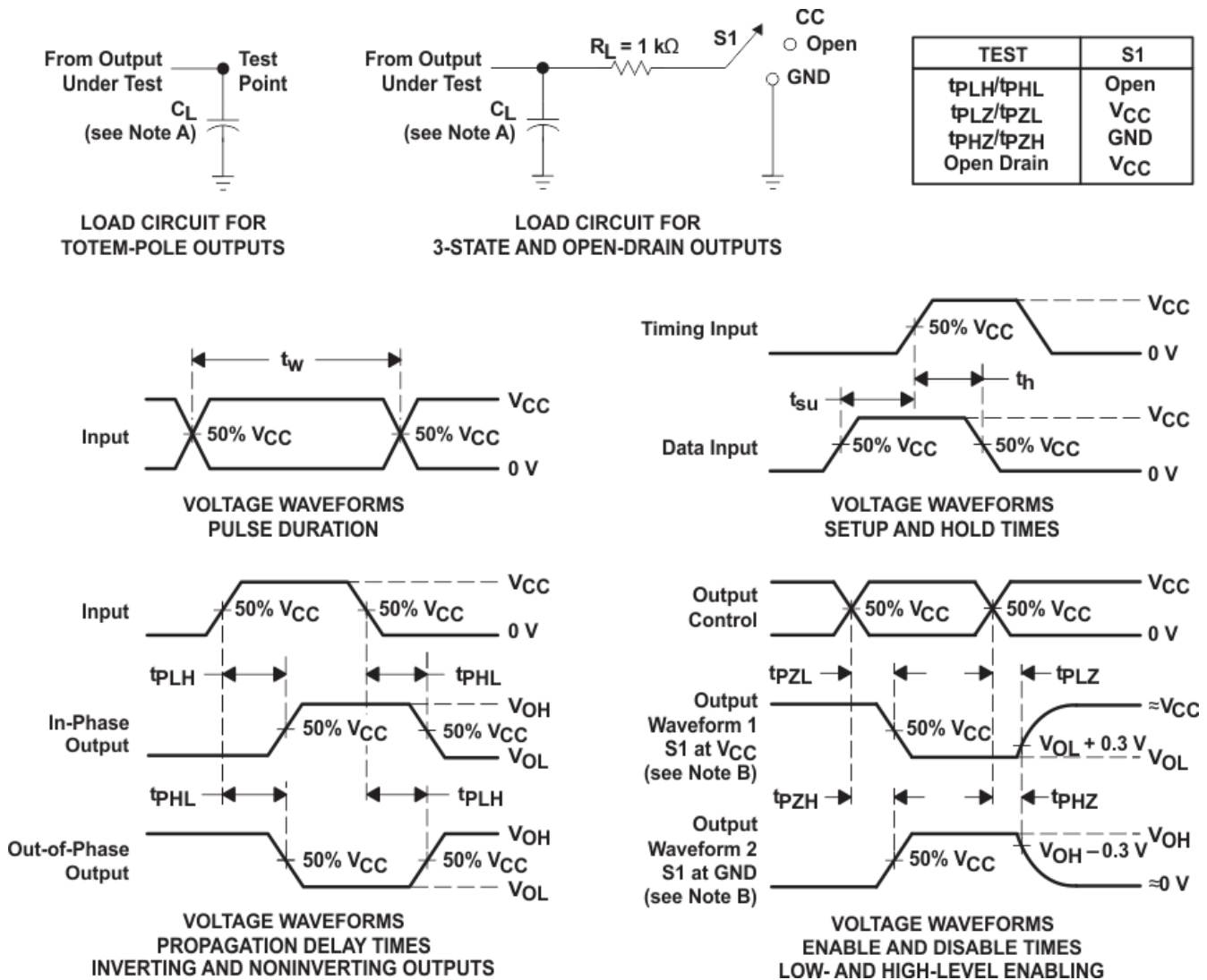
over operating free-air temperature range (unless otherwise noted), (see [Load Circuit and Voltage Waveforms](#))

| PARAMETER   | FROM (INPUT)    | TO (OUTPUT) | LOAD CAP             | 25°C |     |      | –40°C to 125°C |     |      | UNIT |
|-------------|-----------------|-------------|----------------------|------|-----|------|----------------|-----|------|------|
|             |                 |             |                      | MIN  | TYP | MAX  | MIN            | TYP | MAX  |      |
| $t_{pd}$    | A               | Y           | $C_L = 15\text{ pF}$ |      | 3.9 | 5.5  | 1              |     | 6.5  | ns   |
|             |                 |             | $C_L = 50\text{ pF}$ |      | 4.9 | 7.5  | 1              |     | 8.5  |      |
| $t_{en}$    | $\overline{OE}$ | Y           | $C_L = 15\text{ pF}$ |      | 4.5 | 7.3  | 1              |     | 8.5  | ns   |
|             |                 |             | $C_L = 50\text{ pF}$ |      | 5.6 | 9.3  | 1              |     | 10.5 |      |
| $t_{dis}$   | $\overline{OE}$ | Y           | $C_L = 15\text{ pF}$ |      | 6.5 | 12.2 | 1              |     | 13.5 | ns   |
|             |                 |             | $C_L = 50\text{ pF}$ |      | 8.8 | 14.2 | 1              |     | 15.5 |      |
| $t_{sk(o)}$ |                 |             | $C_L = 50\text{ pF}$ |      |     | 1    |                |     | 1    | ns   |

### 6.11 Typical Characteristics



## 7 Parameter Measurement Information



- A.  $C_L$  includes probe and jig capacitance.
- B. Waveform 1 is for an output with internal conditions such that the output is low, except when disabled by the output control. Waveform 2 is for an output with internal conditions such that the output is high, except when disabled by the output control.
- C. All input pulses are supplied by generators having the following characteristics:  $PRR \leq 1\text{ MHz}$ ,  $Z_O = 50\ \Omega$ ,  $t_r \leq 3\text{ ns}$ ,  $t_f \leq 3\text{ ns}$ .
- D. The outputs are measured one at a time, with one input transition per measurement.
- E.  $t_{PLZ}$  and  $t_{PHZ}$  are the same as  $t_{dis}$ .
- F.  $t_{PZL}$  and  $t_{PZH}$  are the same as  $t_{en}$ .
- G.  $t_{PHL}$  and  $t_{PLH}$  are the same as  $t_{pd}$ .
- H. All parameters and waveforms are not applicable to all devices.

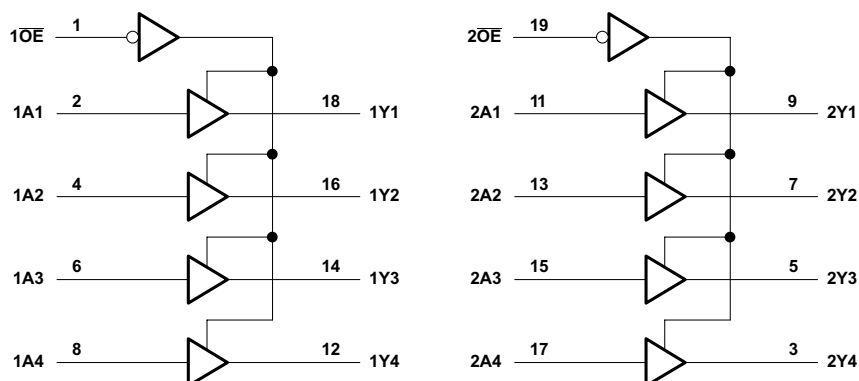
Figure 7-1. Load Circuit and Voltage Waveforms

## 8 Detailed Description

### 8.1 Overview

The SN74LV244 devices are octal buffers grouped in fours, with each group having its own enable pin. The LV family supports high current drive of about 16 mA, thus making it suitable for driving digital signals over longer board lengths. This device is generally used to buffer or incorporate delays between the signals between two microcontroller or peripheral devices.

### 8.2 Functional Block Diagram



### 8.3 Feature Description

#### 8.3.1 Balanced CMOS 3-State Outputs

This device includes balanced CMOS 3-state outputs. Driving high, driving low, and high impedance are the three states that these outputs can be in. The term *balanced* indicates that the device can sink and source similar currents. The drive capability of this device may create fast edges into light loads, so routing and load conditions should be considered to prevent ringing. Additionally, the outputs of this device can drive larger currents than the device can sustain without being damaged. It is important for the output power of the device to be limited to avoid damage due to overcurrent. The electrical and thermal limits defined in the *Absolute Maximum Ratings* must be followed at all times.

When placed into the high-impedance mode, the output will neither source nor sink current, with the exception of minor leakage current as defined in the *Electrical Characteristics* table. In the high-impedance state, the output voltage is not controlled by the device and is dependent on external factors. If no other drivers are connected to the node, then this is known as a floating node and the voltage is unknown. A pull-up or pull-down resistor can be connected to the output to provide a known voltage at the output while it is in the high-impedance state. The value of the resistor will depend on multiple factors, including parasitic capacitance and power consumption limitations. Typically, a 10-kΩ resistor can be used to meet these requirements.

Unused 3-state CMOS outputs should be left disconnected.

#### 8.3.2 Standard CMOS Inputs

This device includes standard CMOS inputs. Standard CMOS inputs are high impedance and are typically modeled as a resistor in parallel with the input capacitance given in the *Electrical Characteristics*. The worst case resistance is calculated with the maximum input voltage, given in the *Absolute Maximum Ratings*, and the maximum input leakage current, given in the *Electrical Characteristics*, using Ohm's law ( $R = V \div I$ ).

Standard CMOS inputs require that input signals transition between valid logic states quickly, as defined by the input transition time or rate in the *Recommended Operating Conditions* table. Failing to meet this specification will result in excessive power consumption and could cause oscillations. More details can be found in [Implications of Slow or Floating CMOS Inputs](#).

Do not leave standard CMOS inputs floating at any time during operation. Unused inputs must be terminated at  $V_{CC}$  or GND. If a system will not be actively driving an input at all times, then a pull-up or pull-down resistor can

be added to provide a valid input voltage during these times. The resistor value will depend on multiple factors; a 10-kΩ resistor, however, is recommended and will typically meet all requirements.

### 8.3.3 Partial Power Down ( $I_{off}$ )

This device includes circuitry to disable all outputs when the supply pin is held at 0 V. When disabled, the outputs will neither source nor sink current, regardless of the input voltages applied. The amount of leakage current at each output is defined by the  $I_{off}$  specification in the *Electrical Characteristics* table.

### 8.3.4 Clamp Diode Structure

Figure 8-1 shows the inputs and outputs to this device have negative clamping diodes only.

**CAUTION**

Voltages beyond the values specified in the *Absolute Maximum Ratings* table can cause damage to the device. The input and output voltage ratings may be exceeded if the input and output clamp-current ratings are observed.

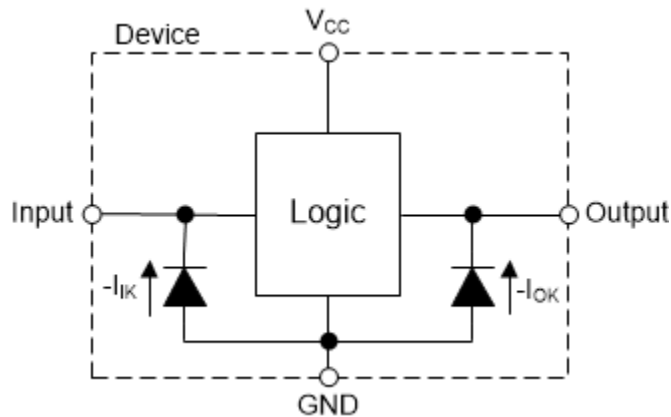


Figure 8-1. Electrical Placement of Clamping Diodes for Each Input and Output

## 8.4 Device Functional Modes

The SN74LV244A devices are organized as two 4-bit line drivers with separate output-enable ( $\overline{OE}$ ) inputs. When  $\overline{OE}$  is low, the device passes data from the A inputs to the Y outputs. When  $\overline{OE}$  is high, the outputs are in the high-impedance state. To ensure the high-impedance state during power up or power down,  $\overline{OE}$  must be tied to  $V_{CC}$  through a pullup resistor; the minimum value of the resistor is determined by the current-sinking capability of the driver.

Table 8-1. Function Table

| INPUTS <sup>(1)</sup> |   | OUTPUTS <sup>(2)</sup> |  |
|-----------------------|---|------------------------|--|
| $\overline{OE}$       | A | Y                      |  |
| L                     | L | L                      |  |
| L                     | H | H                      |  |
| H                     | X | Z                      |  |

(1) H = High Voltage Level, L = Low Voltage Level, X = Do Not Care

(2) H = Driving High, L = Driving Low, Z = High Impedance State

## 9 Application and Implementation

### Note

Information in the following applications sections is not part of the TI component specification, and TI does not warrant its accuracy or completeness. TI's customers are responsible for determining suitability of components for their purposes, as well as validating and testing their design implementation to confirm system functionality.

### 9.1 Application Information

The SN74LV244A device can be used as an 8-channel buffer to drive signals from one controller to another device. Buffers are typically used for signals running on long traces on printed circuit boards or going through connectors linking two printed circuit boards together. Buffers are also used to create delay between the lines to match the edges of two clock or data signals. The high-current capability of the SN74LV244A device also allows a controller to drive LEDs up to 16 mA.

### 9.2 Typical Application

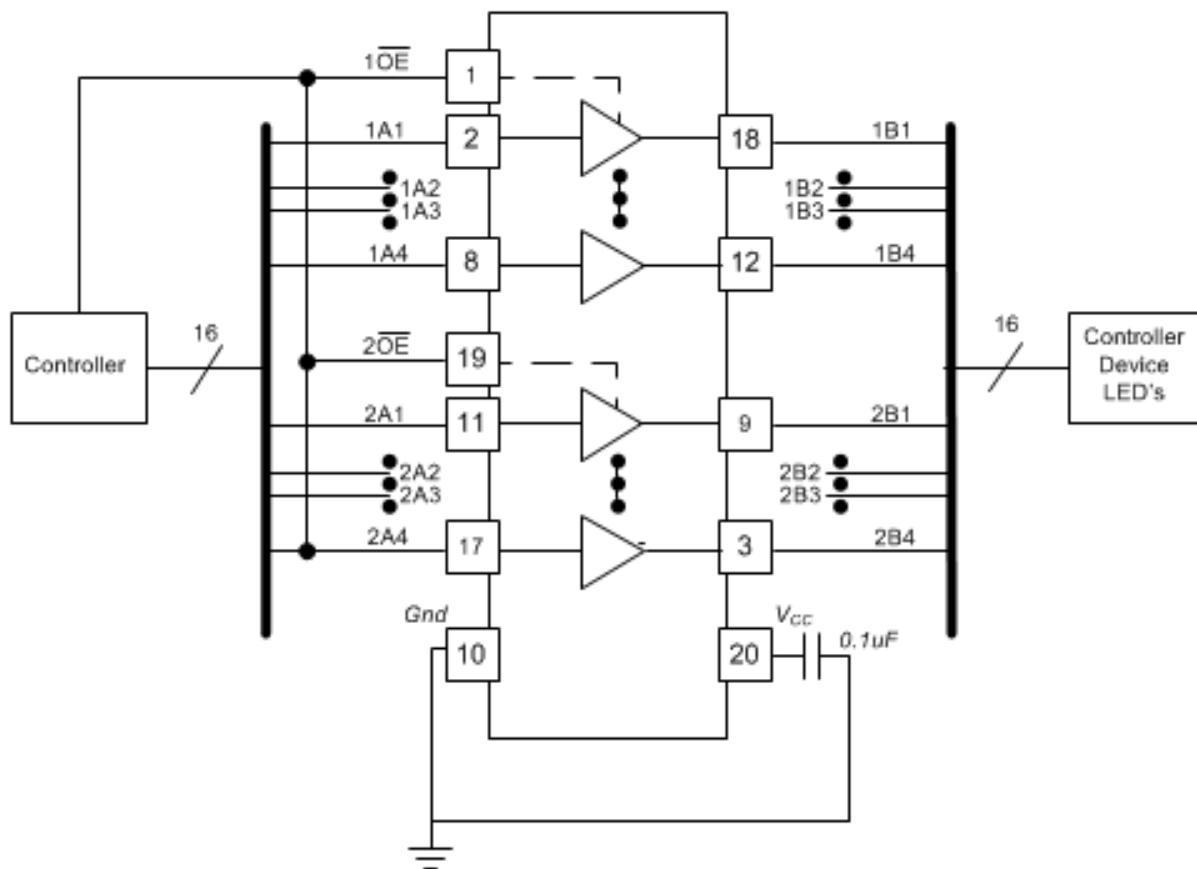


Figure 9-1. Typical Application Diagram

#### 9.2.1 Power Considerations

Ensure the desired supply voltage is within the range specified in the *Recommended Operating Conditions*. The supply voltage sets the device's electrical characteristics as described in the *Electrical Characteristics* section.

The positive voltage supply must be capable of sourcing current equal to the total current to be sourced by all outputs of the SN74LV244A plus the maximum static supply current,  $I_{CC}$ , listed in the *Electrical Characteristics*, and any transient current required for switching. The logic device can only source as much current that is

provided by the positive supply source. Be sure to not exceed the maximum total current through  $V_{CC}$  listed in the *Absolute Maximum Ratings*.

The ground must be capable of sinking current equal to the total current to be sunk by all outputs of the SN74LV244A plus the maximum supply current,  $I_{CC}$ , listed in the *Electrical Characteristics*, and any transient current required for switching. The logic device can only sink as much current that can be sunk into its ground connection. Be sure to not exceed the maximum total current through GND listed in the *Absolute Maximum Ratings*.

The SN74LV244A can drive a load with a total capacitance less than or equal to 50 pF while still meeting all of the data sheet specifications. Larger capacitive loads can be applied; however, it is not recommended to exceed 50 pF.

The SN74LV244A can drive a load with total resistance described by  $R_L \geq V_O / I_O$ , with the output voltage and current defined in the *Electrical Characteristics* table with  $V_{OH}$  and  $V_{OL}$ . When outputting in the HIGH state, the output voltage in the equation is defined as the difference between the measured output voltage and the supply voltage at the  $V_{CC}$  pin.

Total power consumption can be calculated using the information provided in [CMOS Power Consumption and Cpd Calculation](#).

Thermal increase can be calculated using the information provided in [Thermal Characteristics of Standard Linear and Logic \(SLL\) Packages and Devices](#).

#### CAUTION

The maximum junction temperature,  $T_{J(max)}$  listed in the *Absolute Maximum Ratings*, is an additional limitation to prevent damage to the device. Do not violate any values listed in the *Absolute Maximum Ratings*. These limits are provided to prevent damage to the device.

### 9.2.2 Input Considerations

Input signals must cross  $V_{IL(max)}$  to be considered a logic LOW, and  $V_{IH(min)}$  to be considered a logic HIGH. Do not exceed the maximum input voltage range found in the *Absolute Maximum Ratings*.

Unused inputs must be terminated to either  $V_{CC}$  or ground. The unused inputs can be directly terminated if the input is completely unused, or they can be connected with a pull-up or pull-down resistor if the input will be used sometimes, but not always. A pull-up resistor is used for a default state of HIGH, and a pull-down resistor is used for a default state of LOW. The drive current of the controller, leakage current into the SN74LV244A (as specified in the *Electrical Characteristics*), and the desired input transition rate limits the resistor size. A 10-k $\Omega$  resistor value is often used due to these factors.

The SN74LV244A has CMOS inputs and thus requires fast input transitions to operate correctly, as defined in the *Recommended Operating Conditions* table. Slow input transitions can cause oscillations, additional power consumption, and reduction in device reliability.

Refer to the *Feature Description* section for additional information regarding the inputs for this device.

### 9.2.3 Output Considerations

The positive supply voltage is used to produce the output HIGH voltage. Drawing current from the output will decrease the output voltage as specified by the  $V_{OH}$  specification in the *Electrical Characteristics*. The ground voltage is used to produce the output LOW voltage. Sinking current into the output will increase the output voltage as specified by the  $V_{OL}$  specification in the *Electrical Characteristics*.

Push-pull outputs that could be in opposite states, even for a very short time period, should never be connected directly together. This can cause excessive current and damage to the device.

Two channels within the same device with the same input signals can be connected in parallel for additional output drive strength.

Unused outputs can be left floating. Do not connect outputs directly to  $V_{CC}$  or ground.

Refer to the *Feature Description* section for additional information regarding the outputs for this device.

### 9.2.4 Detailed Design Procedure

1. Add a decoupling capacitor from  $V_{CC}$  to GND. The capacitor needs to be placed physically close to the device and electrically close to both the  $V_{CC}$  and GND pins. An example layout is shown in the *Layout* section.
2. Ensure the capacitive load at the output is  $\leq 50$  pF. This is not a hard limit; by design, however, it will optimize performance. This can be accomplished by providing short, appropriately sized traces from the SN74LV244A to one or more of the receiving devices.
3. Ensure the resistive load at the output is larger than  $(V_{CC} / I_{O(max)}) \Omega$ . Doing this will prevent the maximum output current from the *Absolute Maximum Ratings* from being violated. Most CMOS inputs have a resistive load measured in  $M\Omega$ ; much larger than the minimum calculated previously.
4. Thermal issues are rarely a concern for logic gates; the power consumption and thermal increase, however, can be calculated using the steps provided in the application report, [CMOS Power Consumption and Cpd Calculation](#).

### 9.2.5 Application Curve

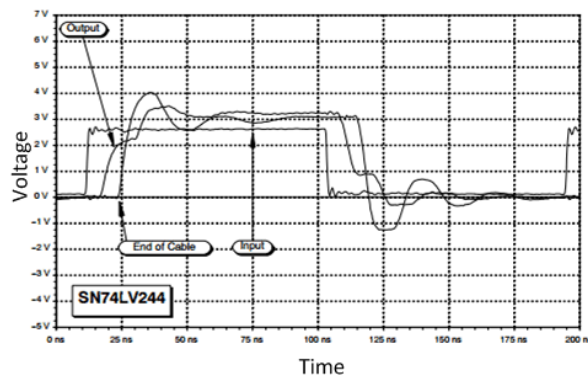


Figure 9-2. SN74LV244A Transient response

### 9.3 Power Supply Recommendations

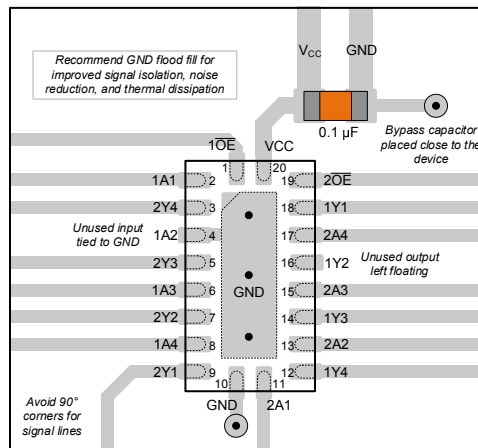
The power supply can be any voltage between the minimum and maximum supply voltage rating located in the *Absolute Maximum Ratings* section. Each  $V_{CC}$  terminal must have a good bypass capacitor to prevent power disturbance. For devices with a single supply, TI recommends a 0.1- $\mu\text{F}$  capacitor; if there are multiple  $V_{CC}$  terminals, then TI recommends a 0.01- $\mu\text{F}$  or 0.022- $\mu\text{F}$  capacitor for each power terminal. Multiple bypass capacitors can be paralleled to reject different frequencies of noise. Frequencies of 0.1  $\mu\text{F}$  and 1  $\mu\text{F}$  are commonly used in parallel. The bypass capacitor must be installed as close as possible to the power terminal for best results.

### 9.4 Layout

#### 9.4.1 Layout Guidelines

When using multiple-input and multiple-channel logic devices, inputs must never be left floating. In many cases, functions or parts of functions of digital logic devices are unused; for example, when only two inputs of a triple-input AND gate are used or only 3 of the 4 buffer gates are used. Such unused input pins must not be left unconnected because the undefined voltages at the outside connections result in undefined operational states. All unused inputs of digital logic devices must be connected to a logic high or logic low voltage, as defined by the input voltage specifications, to prevent them from floating. The logic level that must be applied to any particular unused input depends on the function of the device. Generally, the inputs are tied to GND or  $V_{CC}$ , whichever makes more sense for the logic function or is more convenient.

#### 9.4.2 Layout Example



**Figure 9-3. Layout Example for the SN74LV244A in the RKS Package**

## 10 Device and Documentation Support

### 10.1 Documentation Support

#### 10.1.1 Related Documentation

For related documentation, see the following:

- Texas Instruments, [CMOS Power Consumption and Cpd Calculation](#)
- Texas Instruments, [Implications of Slow or Floating CMOS Inputs](#) application notes
- Texas Instruments, [Thermal Characteristics of Standard Linear and Logic \(SLL\) Packages and Devices](#)

#### 10.2 Receiving Notification of Documentation Updates

To receive notification of documentation updates, navigate to the device product folder on [ti.com](#). Click on [Subscribe to updates](#) to register and receive a weekly digest of any product information that has changed. For change details, review the revision history included in any revised document.

#### 10.3 Support Resources

[TI E2E™ support forums](#) are an engineer's go-to source for fast, verified answers and design help — straight from the experts. Search existing answers or ask your own question to get the quick design help you need.

Linked content is provided "AS IS" by the respective contributors. They do not constitute TI specifications and do not necessarily reflect TI's views; see TI's [Terms of Use](#).

#### 10.4 Trademarks

TI E2E™ is a trademark of Texas Instruments.

All trademarks are the property of their respective owners.

#### 10.5 Electrostatic Discharge Caution



This integrated circuit can be damaged by ESD. Texas Instruments recommends that all integrated circuits be handled with appropriate precautions. Failure to observe proper handling and installation procedures can cause damage.

ESD damage can range from subtle performance degradation to complete device failure. Precision integrated circuits may be more susceptible to damage because very small parametric changes could cause the device not to meet its published specifications.

#### 10.6 Glossary

[TI Glossary](#) This glossary lists and explains terms, acronyms, and definitions.

## 11 Mechanical, Packaging, and Orderable Information

The following pages include mechanical, packaging, and orderable information. This information is the most current data available for the designated devices. This data is subject to change without notice and revision of this document. For browser-based versions of this data sheet, refer to the left-hand navigation.

**PACKAGING INFORMATION**

| Orderable Device | Status<br>(1) | Package Type | Package Drawing | Pins | Package Qty | Eco Plan<br>(2) | Lead finish/<br>Ball material<br>(6) | MSL Peak Temp<br>(3) | Op Temp (°C) | Device Marking<br>(4/5) | Samples                 |
|------------------|---------------|--------------|-----------------|------|-------------|-----------------|--------------------------------------|----------------------|--------------|-------------------------|-------------------------|
| SN74LV244ADBR    | ACTIVE        | SSOP         | DB              | 20   | 2000        | RoHS & Green    | NIPDAU                               | Level-1-260C-UNLIM   | -40 to 125   | LV244A                  | <a href="#">Samples</a> |
| SN74LV244ADBRE4  | ACTIVE        | SSOP         | DB              | 20   | 2000        | RoHS & Green    | NIPDAU                               | Level-1-260C-UNLIM   | -40 to 125   | LV244A                  | <a href="#">Samples</a> |
| SN74LV244ADBRG4  | ACTIVE        | SSOP         | DB              | 20   | 2000        | RoHS & Green    | NIPDAU                               | Level-1-260C-UNLIM   | -40 to 125   | LV244A                  | <a href="#">Samples</a> |
| SN74LV244ADGSR   | ACTIVE        | VSSOP        | DGS             | 20   | 5000        | RoHS & Green    | NIPDAU                               | Level-1-260C-UNLIM   | -40 to 125   | L244A                   | <a href="#">Samples</a> |
| SN74LV244ADGVR   | ACTIVE        | TVSOP        | DGV             | 20   | 2000        | RoHS & Green    | NIPDAU                               | Level-1-260C-UNLIM   | -40 to 125   | LV244A                  | <a href="#">Samples</a> |
| SN74LV244ADWR    | ACTIVE        | SOIC         | DW              | 20   | 2000        | RoHS & Green    | NIPDAU                               | Level-1-260C-UNLIM   | -40 to 125   | LV244A                  | <a href="#">Samples</a> |
| SN74LV244ADWRG4  | ACTIVE        | SOIC         | DW              | 20   | 2000        | RoHS & Green    | NIPDAU                               | Level-1-260C-UNLIM   | -40 to 125   | LV244A                  | <a href="#">Samples</a> |
| SN74LV244ANSR    | ACTIVE        | SO           | NS              | 20   | 2000        | RoHS & Green    | NIPDAU                               | Level-1-260C-UNLIM   | -40 to 125   | 74LV244A                | <a href="#">Samples</a> |
| SN74LV244APWR    | ACTIVE        | TSSOP        | PW              | 20   | 2000        | RoHS & Green    | NIPDAU                               | Level-1-260C-UNLIM   | -40 to 125   | LV244A                  | <a href="#">Samples</a> |
| SN74LV244APWRE4  | ACTIVE        | TSSOP        | PW              | 20   | 2000        | RoHS & Green    | NIPDAU                               | Level-1-260C-UNLIM   | -40 to 125   | LV244A                  | <a href="#">Samples</a> |
| SN74LV244APWRG3  | ACTIVE        | TSSOP        | PW              | 20   | 2000        | RoHS & Green    | SN                                   | Level-1-260C-UNLIM   | -40 to 125   | LV244A                  | <a href="#">Samples</a> |
| SN74LV244APWRG4  | ACTIVE        | TSSOP        | PW              | 20   | 2000        | RoHS & Green    | NIPDAU                               | Level-1-260C-UNLIM   | -40 to 125   | LV244A                  | <a href="#">Samples</a> |
| SN74LV244ARGYR   | ACTIVE        | VQFN         | RGY             | 20   | 3000        | RoHS & Green    | NIPDAU                               | Level-2-260C-1 YEAR  | -40 to 125   | LV244A                  | <a href="#">Samples</a> |
| SN74LV244ARKSR   | ACTIVE        | VQFN         | RKS             | 20   | 3000        | RoHS & Green    | NIPDAU                               | Level-1-260C-UNLIM   | -40 to 125   | LV244A                  | <a href="#">Samples</a> |

(1) The marketing status values are defined as follows:

**ACTIVE:** Product device recommended for new designs.

**LIFEBUY:** TI has announced that the device will be discontinued, and a lifetime-buy period is in effect.

**NRND:** Not recommended for new designs. Device is in production to support existing customers, but TI does not recommend using this part in a new design.

**PREVIEW:** Device has been announced but is not in production. Samples may or may not be available.

**OBSELETE:** TI has discontinued the production of the device.

(2) **RoHS:** TI defines "RoHS" to mean semiconductor products that are compliant with the current EU RoHS requirements for all 10 RoHS substances, including the requirement that RoHS substance do not exceed 0.1% by weight in homogeneous materials. Where designed to be soldered at high temperatures, "RoHS" products are suitable for use in specified lead-free processes. TI may reference these types of products as "Pb-Free".

**RoHS Exempt:** TI defines "RoHS Exempt" to mean products that contain lead but are compliant with EU RoHS pursuant to a specific EU RoHS exemption.

**Green:** TI defines "Green" to mean the content of Chlorine (Cl) and Bromine (Br) based flame retardants meet JS709B low halogen requirements of  $\leq 1000$ ppm threshold. Antimony trioxide based flame retardants must also meet the  $\leq 1000$ ppm threshold requirement.

(3) MSL, Peak Temp. - The Moisture Sensitivity Level rating according to the JEDEC industry standard classifications, and peak solder temperature.

(4) There may be additional marking, which relates to the logo, the lot trace code information, or the environmental category on the device.

(5) Multiple Device Markings will be inside parentheses. Only one Device Marking contained in parentheses and separated by a "~" will appear on a device. If a line is indented then it is a continuation of the previous line and the two combined represent the entire Device Marking for that device.

(6) Lead finish/Ball material - Orderable Devices may have multiple material finish options. Finish options are separated by a vertical ruled line. Lead finish/Ball material values may wrap to two lines if the finish value exceeds the maximum column width.

**Important Information and Disclaimer:** The information provided on this page represents TI's knowledge and belief as of the date that it is provided. TI bases its knowledge and belief on information provided by third parties, and makes no representation or warranty as to the accuracy of such information. Efforts are underway to better integrate information from third parties. TI has taken and continues to take reasonable steps to provide representative and accurate information but may not have conducted destructive testing or chemical analysis on incoming materials and chemicals. TI and TI suppliers consider certain information to be proprietary, and thus CAS numbers and other limited information may not be available for release.

In no event shall TI's liability arising out of such information exceed the total purchase price of the TI part(s) at issue in this document sold by TI to Customer on an annual basis.

**OTHER QUALIFIED VERSIONS OF SN74LV244A :**

- Automotive : [SN74LV244A-Q1](#)
- Enhanced Product : [SN74LV244A-EP](#)

NOTE: Qualified Version Definitions:

- Automotive - Q100 devices qualified for high-reliability automotive applications targeting zero defects
- Enhanced Product - Supports Defense, Aerospace and Medical Applications

**TAPE AND REEL INFORMATION**

**QUADRANT ASSIGNMENTS FOR PIN 1 ORIENTATION IN TAPE**


\*All dimensions are nominal

| Device          | Package Type | Package Drawing | Pins | SPQ  | Reel Diameter (mm) | Reel Width W1 (mm) | A0 (mm) | B0 (mm) | K0 (mm) | P1 (mm) | W (mm) | Pin1 Quadrant |
|-----------------|--------------|-----------------|------|------|--------------------|--------------------|---------|---------|---------|---------|--------|---------------|
| SN74LV244ADBR   | SSOP         | DB              | 20   | 2000 | 330.0              | 16.4               | 8.2     | 7.5     | 2.5     | 12.0    | 16.0   | Q1            |
| SN74LV244ADGSR  | VSSOP        | DGS             | 20   | 5000 | 330.0              | 16.4               | 5.4     | 5.4     | 1.45    | 8.0     | 16.0   | Q1            |
| SN74LV244ADGVR  | TVSOP        | DGV             | 20   | 2000 | 330.0              | 12.4               | 6.9     | 5.6     | 1.6     | 8.0     | 12.0   | Q1            |
| SN74LV244ADWR   | SOIC         | DW              | 20   | 2000 | 330.0              | 24.4               | 10.9    | 13.3    | 2.7     | 12.0    | 24.0   | Q1            |
| SN74LV244ADWR   | SOIC         | DW              | 20   | 2000 | 330.0              | 24.4               | 10.8    | 13.3    | 2.7     | 12.0    | 24.0   | Q1            |
| SN74LV244ANSR   | SO           | NS              | 20   | 2000 | 330.0              | 24.4               | 8.4     | 13.0    | 2.5     | 12.0    | 24.0   | Q1            |
| SN74LV244APWR   | TSSOP        | PW              | 20   | 2000 | 330.0              | 16.4               | 6.95    | 7.0     | 1.4     | 8.0     | 16.0   | Q1            |
| SN74LV244APWRG3 | TSSOP        | PW              | 20   | 2000 | 330.0              | 16.4               | 6.95    | 7.1     | 1.6     | 8.0     | 16.0   | Q1            |
| SN74LV244APWRG4 | TSSOP        | PW              | 20   | 2000 | 330.0              | 16.4               | 6.95    | 7.0     | 1.4     | 8.0     | 16.0   | Q1            |
| SN74LV244APWRG4 | TSSOP        | PW              | 20   | 2000 | 330.0              | 16.4               | 6.95    | 7.0     | 1.4     | 8.0     | 16.0   | Q1            |
| SN74LV244ARGYR  | VQFN         | RGY             | 20   | 3000 | 330.0              | 12.4               | 3.8     | 4.8     | 1.6     | 8.0     | 12.0   | Q1            |
| SN74LV244ARKSR  | VQFN         | RKS             | 20   | 3000 | 180.0              | 12.4               | 2.8     | 4.8     | 1.2     | 4.0     | 12.0   | Q1            |

**TAPE AND REEL BOX DIMENSIONS**


\*All dimensions are nominal

| Device          | Package Type | Package Drawing | Pins | SPQ  | Length (mm) | Width (mm) | Height (mm) |
|-----------------|--------------|-----------------|------|------|-------------|------------|-------------|
| SN74LV244ADBR   | SSOP         | DB              | 20   | 2000 | 356.0       | 356.0      | 35.0        |
| SN74LV244ADGSR  | VSSOP        | DGS             | 20   | 5000 | 356.0       | 356.0      | 35.0        |
| SN74LV244ADGVR  | TVSOP        | DGV             | 20   | 2000 | 356.0       | 356.0      | 35.0        |
| SN74LV244ADWR   | SOIC         | DW              | 20   | 2000 | 356.0       | 356.0      | 41.0        |
| SN74LV244ADWR   | SOIC         | DW              | 20   | 2000 | 367.0       | 367.0      | 45.0        |
| SN74LV244ANSR   | SO           | NS              | 20   | 2000 | 367.0       | 367.0      | 45.0        |
| SN74LV244APWR   | TSSOP        | PW              | 20   | 2000 | 356.0       | 356.0      | 35.0        |
| SN74LV244APWRG3 | TSSOP        | PW              | 20   | 2000 | 364.0       | 364.0      | 27.0        |
| SN74LV244APWRG4 | TSSOP        | PW              | 20   | 2000 | 356.0       | 356.0      | 35.0        |
| SN74LV244APWRG4 | TSSOP        | PW              | 20   | 2000 | 353.0       | 353.0      | 32.0        |
| SN74LV244ARGYR  | VQFN         | RGY             | 20   | 3000 | 356.0       | 356.0      | 35.0        |
| SN74LV244ARKSR  | VQFN         | RKS             | 20   | 3000 | 210.0       | 185.0      | 35.0        |



# EXAMPLE BOARD LAYOUT

DB0020A

SSOP - 2 mm max height

SMALL OUTLINE PACKAGE



LAND PATTERN EXAMPLE  
EXPOSED METAL SHOWN  
SCALE: 10X



4214851/B 08/2019

NOTES: (continued)

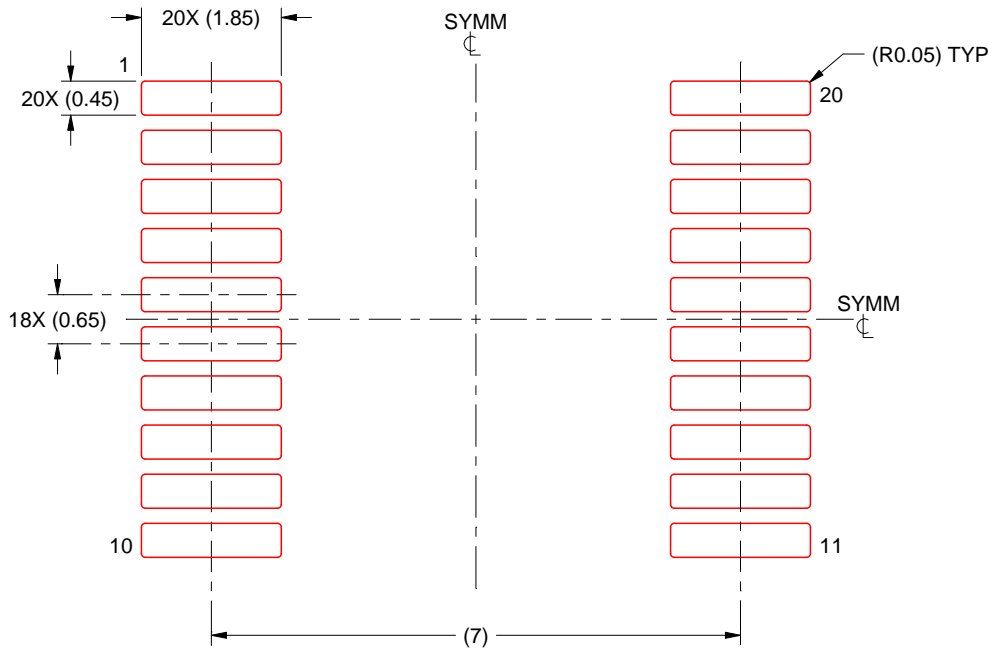
- Publication IPC-7351 may have alternate designs.
- Solder mask tolerances between and around signal pads can vary based on board fabrication site.

# EXAMPLE STENCIL DESIGN

DB0020A

SSOP - 2 mm max height

SMALL OUTLINE PACKAGE



SOLDER PASTE EXAMPLE  
BASED ON 0.125 mm THICK STENCIL  
SCALE: 10X

4214851/B 08/2019

NOTES: (continued)

8. Laser cutting apertures with trapezoidal walls and rounded corners may offer better paste release. IPC-7525 may have alternate design recommendations.
9. Board assembly site may have different recommendations for stencil design.

## GENERIC PACKAGE VIEW

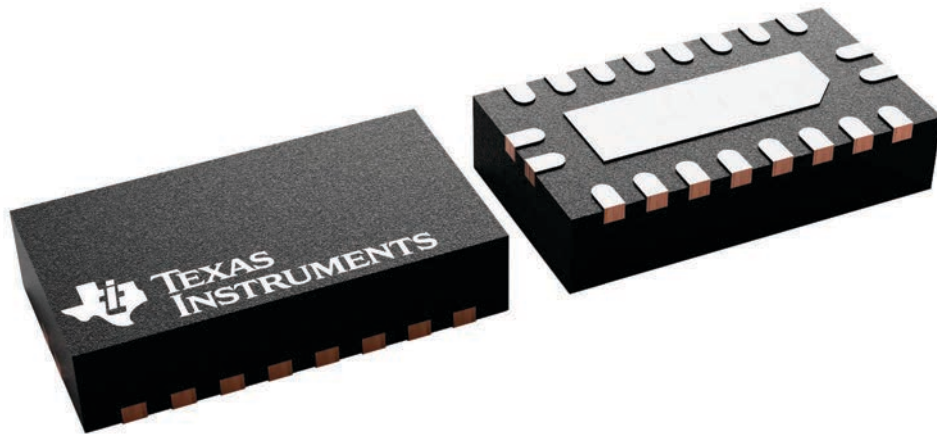
**RKS 20**

**VQFN - 1 mm max height**

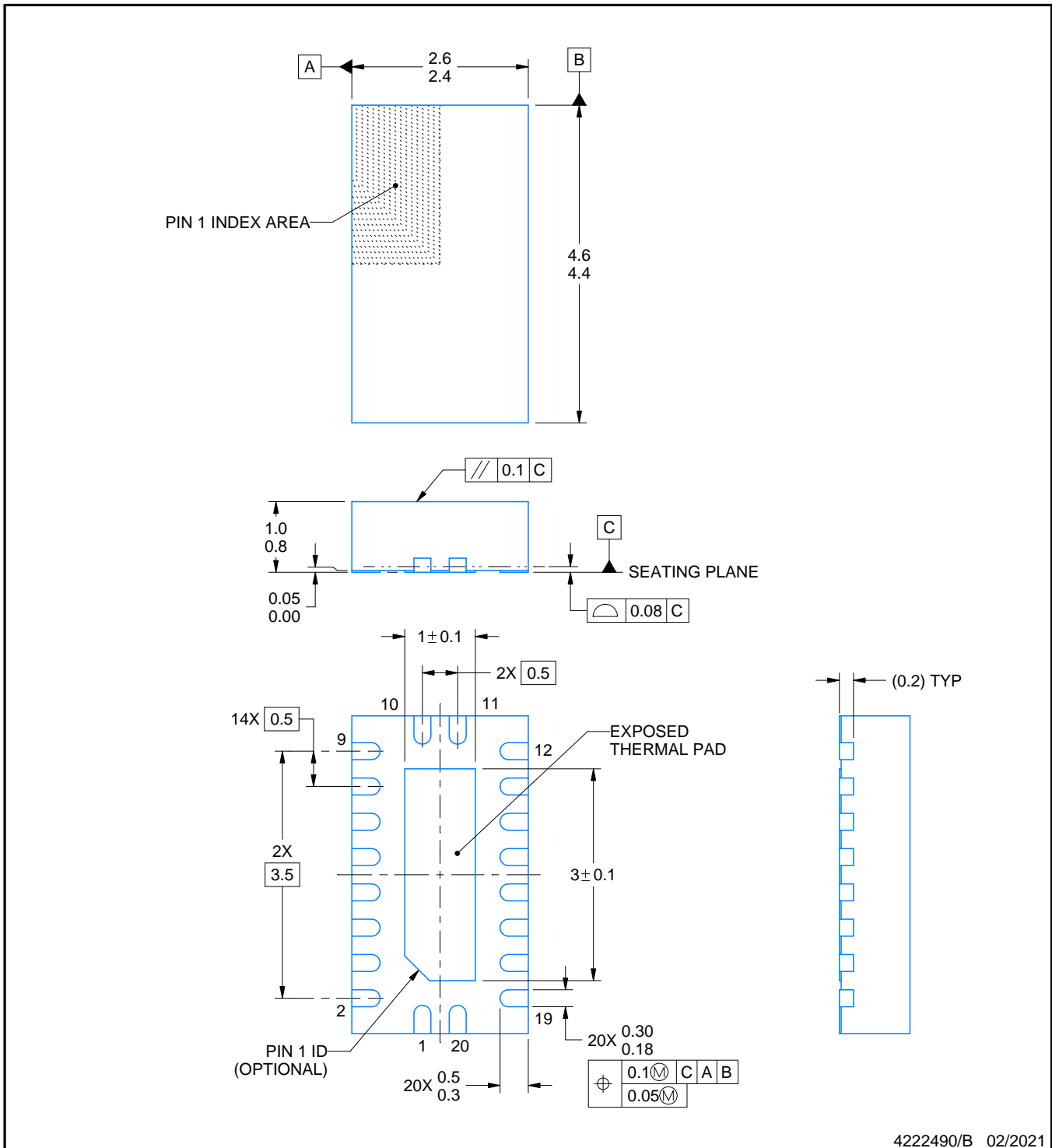
2.5 x 4.5, 0.5 mm pitch

PLASTIC QUAD FLATPACK - NO LEAD

This image is a representation of the package family, actual package may vary.  
Refer to the product data sheet for package details.



4226872/A



NOTES:

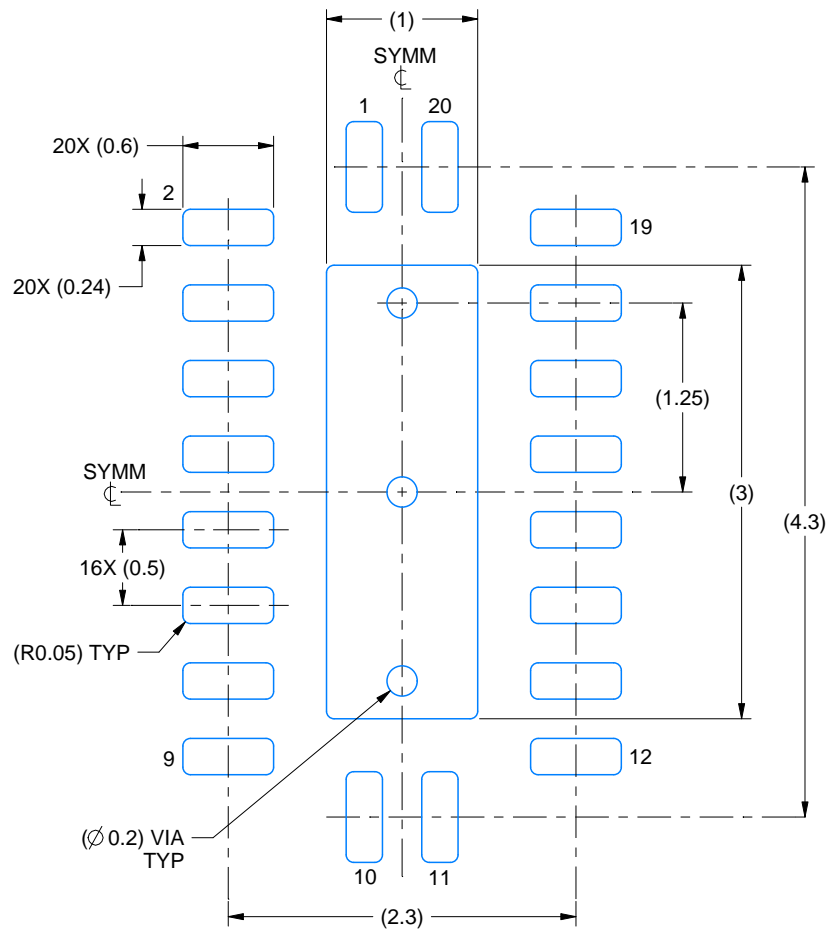
1. All linear dimensions are in millimeters. Any dimensions in parenthesis are for reference only. Dimensioning and tolerancing per ASME Y14.5M.
2. This drawing is subject to change without notice.
3. The package thermal pad must be soldered to the printed circuit board for thermal and mechanical performance.

# EXAMPLE BOARD LAYOUT

RKS0020A

VQFN - 1 mm max height

PLASTIC QUAD FLATPACK - NO LEAD



LAND PATTERN EXAMPLE  
SCALE:20X



SOLDER MASK DETAILS

4222490/B 02/2021

NOTES: (continued)

4. This package is designed to be soldered to a thermal pad on the board. For more information, see Texas Instruments literature number SLUA271 ([www.ti.com/lit/slua271](http://www.ti.com/lit/slua271)).
5. Vias are optional depending on application, refer to device data sheet. If some or all are implemented, recommended via locations are shown.

# EXAMPLE STENCIL DESIGN

RKS0020A

VQFN - 1 mm max height

PLASTIC QUAD FLATPACK - NO LEAD



**SOLDER PASTE EXAMPLE**  
 BASED ON 0.125 mm THICK STENCIL

EXPOSED PAD  
 83% PRINTED SOLDER COVERAGE BY AREA  
 SCALE:25X

4222490/B 02/2021

NOTES: (continued)

6. Laser cutting apertures with trapezoidal walls and rounded corners may offer better paste release. IPC-7525 may have alternate design recommendations.

# MECHANICAL DATA

NS (R-PDSO-G\*\*)

PLASTIC SMALL-OUTLINE PACKAGE

14-PINS SHOWN



- NOTES:
- A. All linear dimensions are in millimeters.
  - B. This drawing is subject to change without notice.
  - C. Body dimensions do not include mold flash or protrusion, not to exceed 0,15.

## GENERIC PACKAGE VIEW

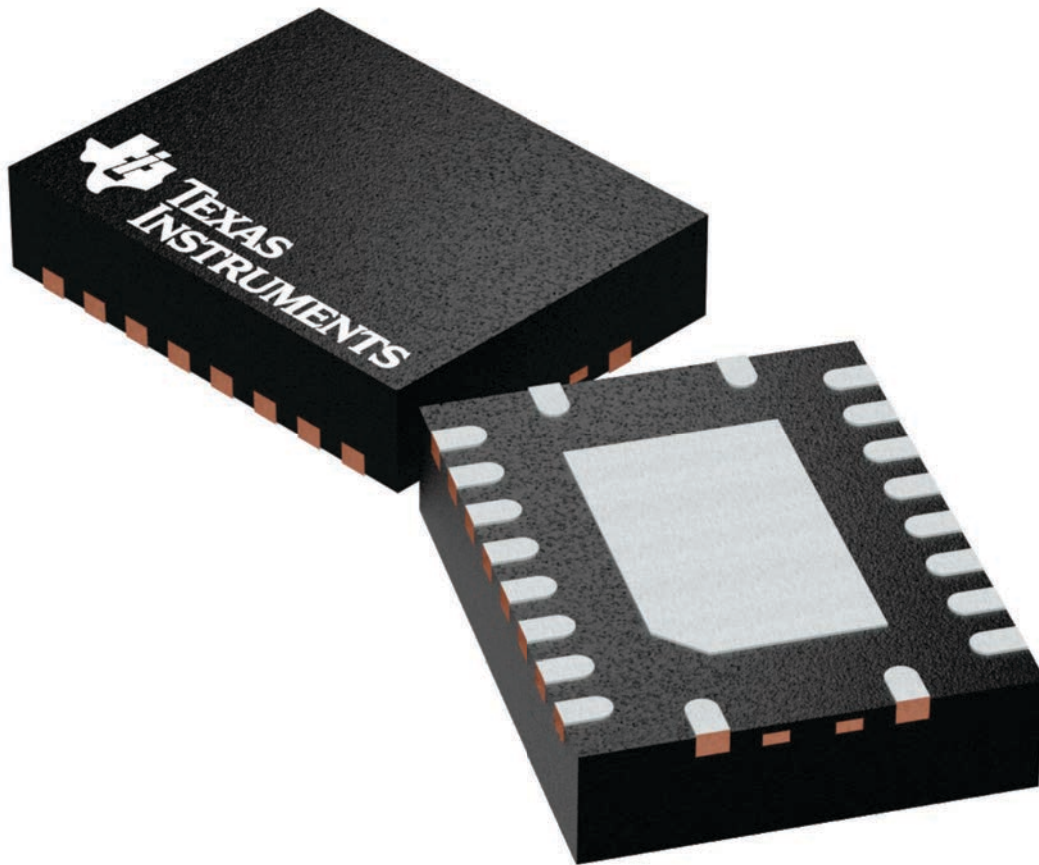
**RGY 20**

**VQFN - 1 mm max height**

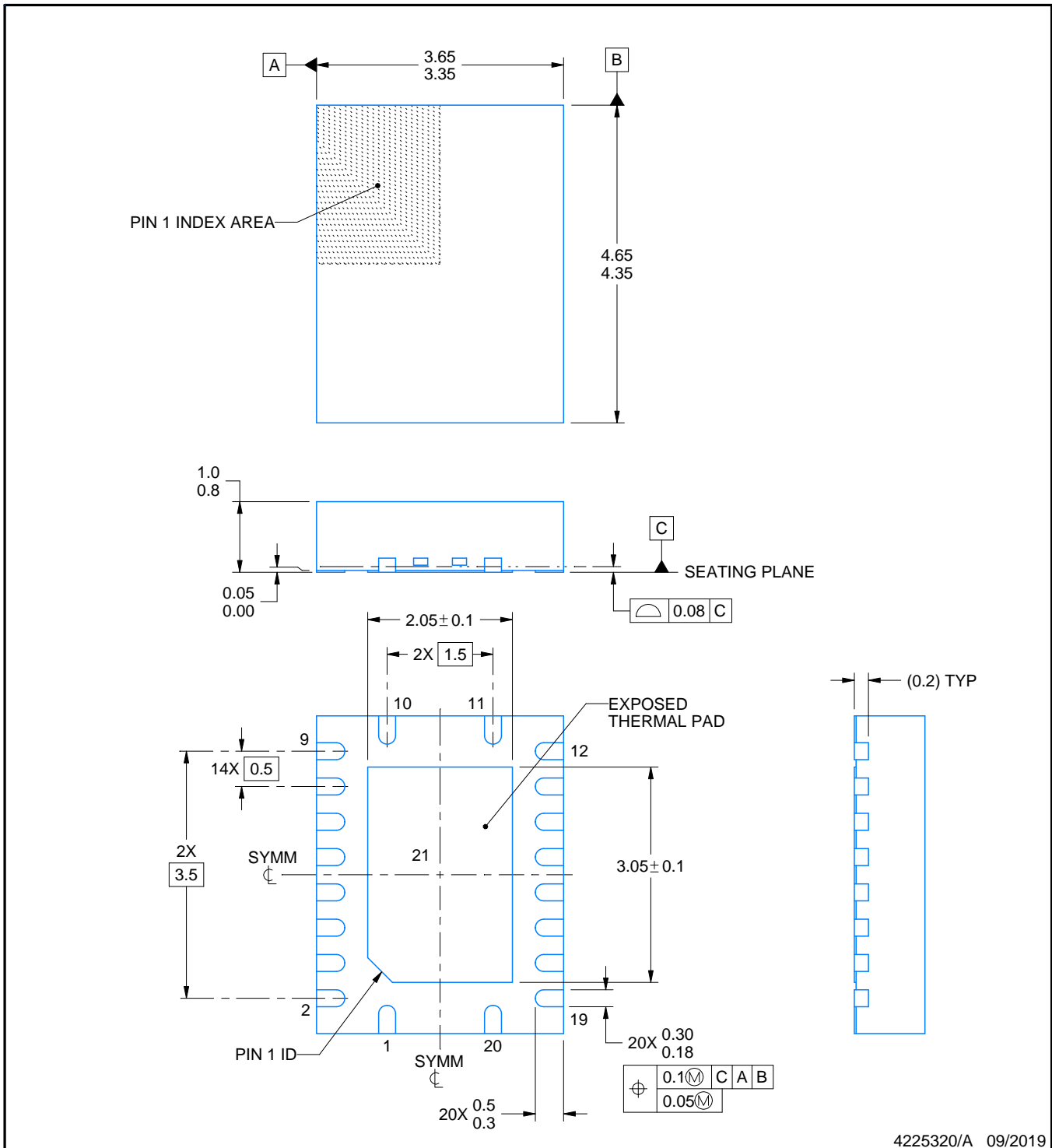
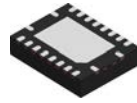
3.5 x 4.5, 0.5 mm pitch

PLASTIC QUAD FGLATPACK - NO LEAD

This image is a representation of the package family, actual package may vary.  
Refer to the product data sheet for package details.



4225264/A



4225320/A 09/2019

NOTES:

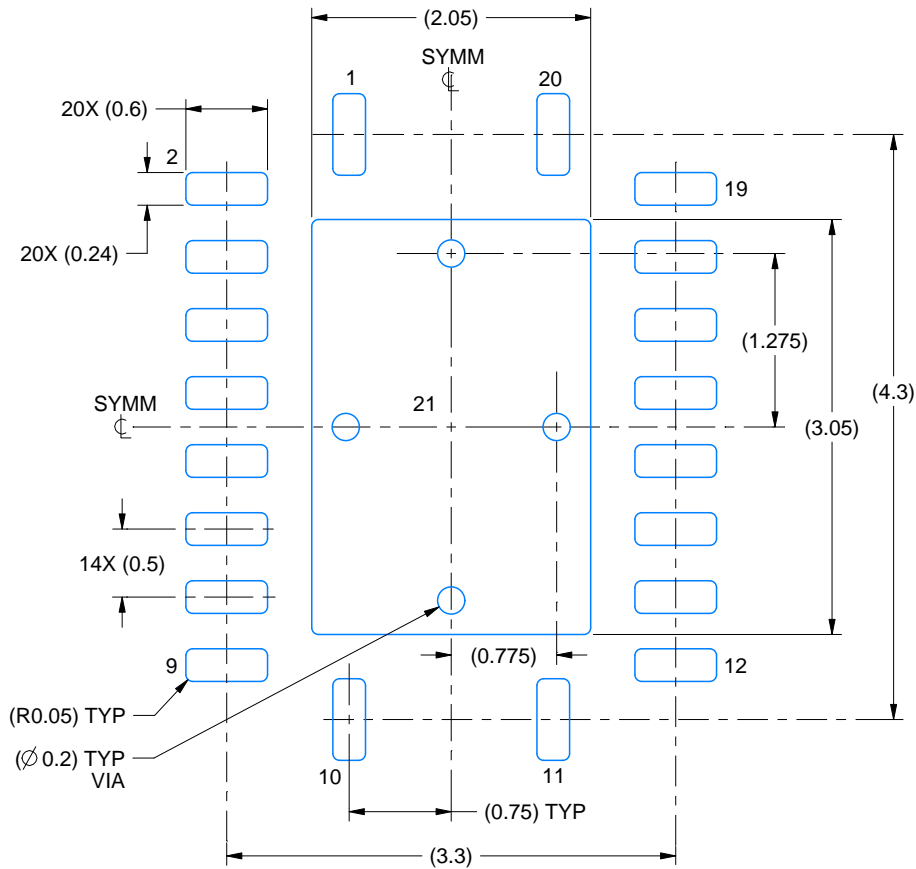
1. All linear dimensions are in millimeters. Any dimensions in parenthesis are for reference only. Dimensioning and tolerancing per ASME Y14.5M.
2. This drawing is subject to change without notice.
3. The package thermal pad must be soldered to the printed circuit board for thermal and mechanical performance.

# EXAMPLE BOARD LAYOUT

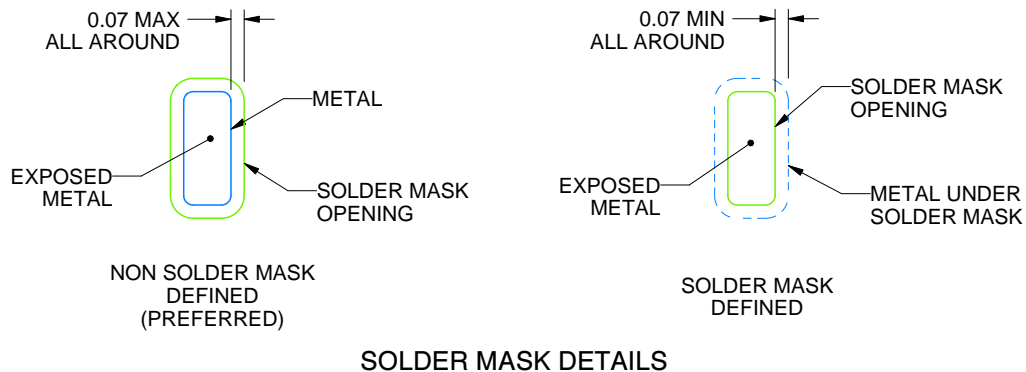
RGY0020A

VQFN - 1 mm max height

PLASTIC QUAD FLATPACK - NO LEAD



**LAND PATTERN EXAMPLE**  
EXPOSED METAL SHOWN  
SCALE:18X



**SOLDER MASK DETAILS**

4225320/A 09/2019

NOTES: (continued)

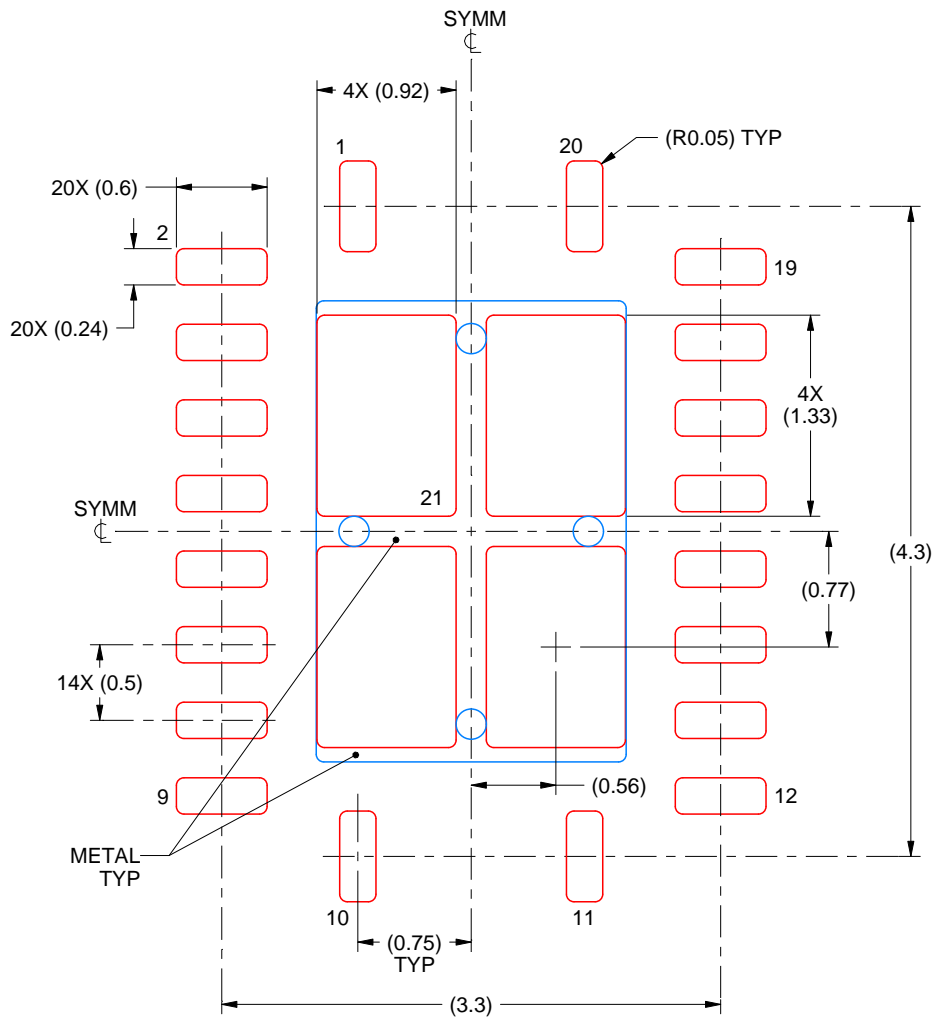
4. This package is designed to be soldered to a thermal pad on the board. For more information, see Texas Instruments literature number SLUA271 ([www.ti.com/lit/slua271](http://www.ti.com/lit/slua271)).
5. Vias are optional depending on application, refer to device data sheet. If any vias are implemented, refer to their locations shown on this view. It is recommended that vias under paste be filled, plugged or tented.

# EXAMPLE STENCIL DESIGN

RGY0020A

VQFN - 1 mm max height

PLASTIC QUAD FLATPACK - NO LEAD



**SOLDER PASTE EXAMPLE**  
 BASED ON 0.125 mm THICK STENCIL

EXPOSED PAD 21  
 78% PRINTED SOLDER COVERAGE BY AREA UNDER PACKAGE  
 SCALE:20X

4225320/A 09/2019

NOTES: (continued)

6. Laser cutting apertures with trapezoidal walls and rounded corners may offer better paste release. IPC-7525 may have alternate design recommendations.

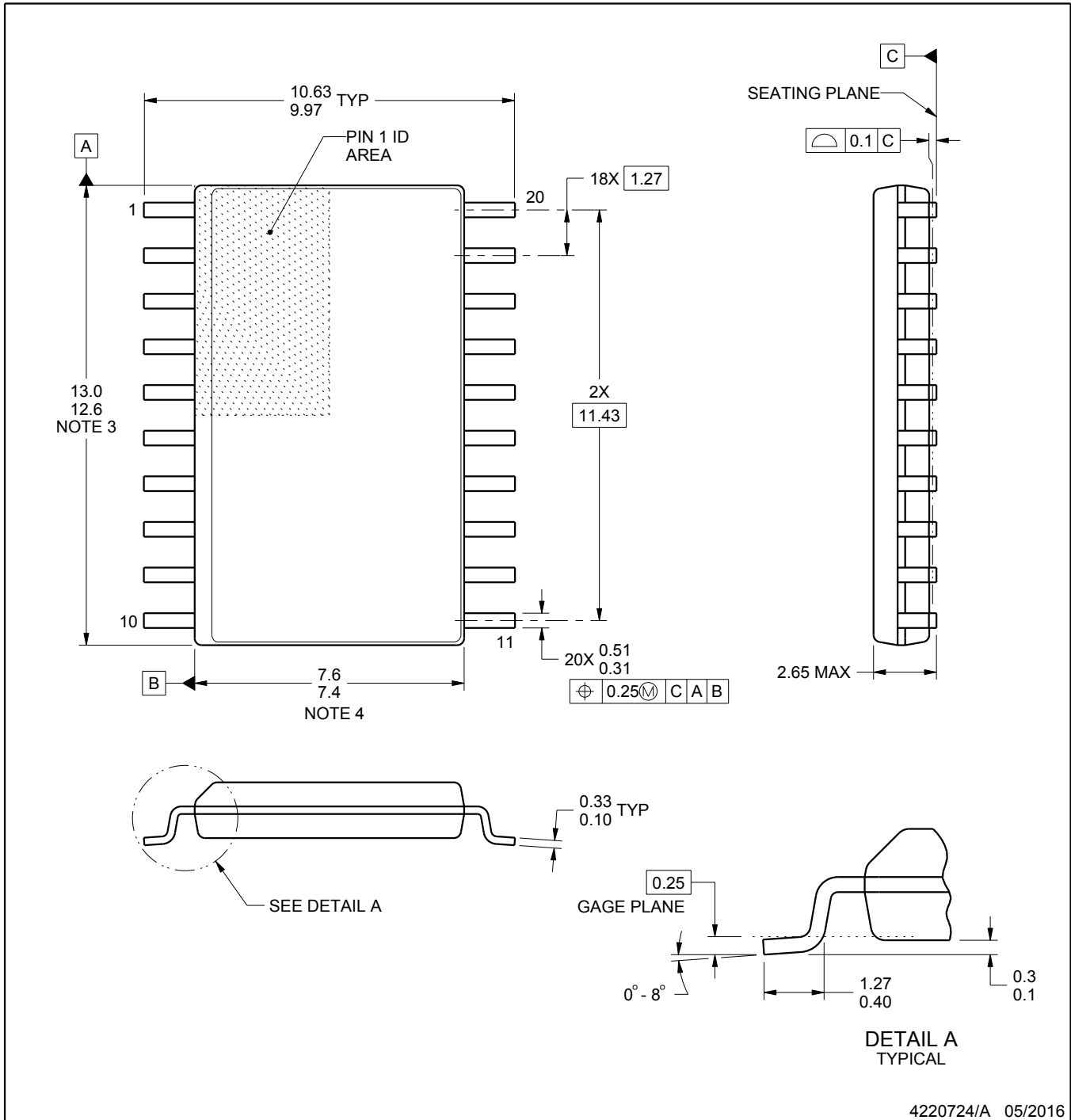
# DW0020A



# PACKAGE OUTLINE

## SOIC - 2.65 mm max height

SOIC



4220724/A 05/2016

**NOTES:**

1. All linear dimensions are in millimeters. Dimensions in parenthesis are for reference only. Dimensioning and tolerancing per ASME Y14.5M.
2. This drawing is subject to change without notice.
3. This dimension does not include mold flash, protrusions, or gate burrs. Mold flash, protrusions, or gate burrs shall not exceed 0.15 mm per side.
4. This dimension does not include interlead flash. Interlead flash shall not exceed 0.43 mm per side.
5. Reference JEDEC registration MS-013.

# EXAMPLE BOARD LAYOUT

DW0020A

SOIC - 2.65 mm max height

SOIC



LAND PATTERN EXAMPLE  
SCALE:6X



SOLDER MASK DETAILS

4220724/A 05/2016

NOTES: (continued)

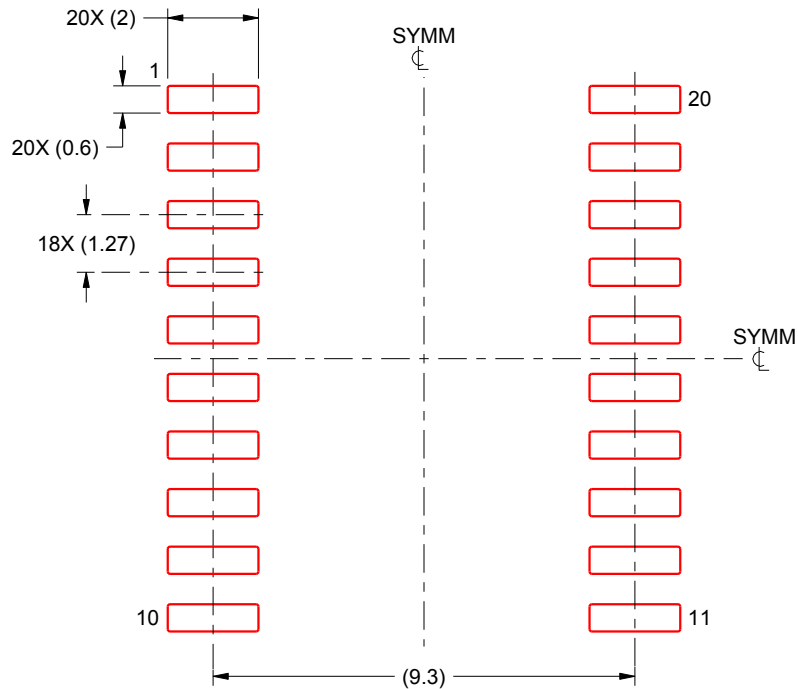
- 6. Publication IPC-7351 may have alternate designs.
- 7. Solder mask tolerances between and around signal pads can vary based on board fabrication site.

# EXAMPLE STENCIL DESIGN

DW0020A

SOIC - 2.65 mm max height

SOIC



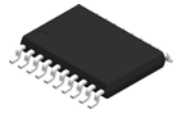
SOLDER PASTE EXAMPLE  
BASED ON 0.125 mm THICK STENCIL  
SCALE:6X

4220724/A 05/2016

NOTES: (continued)

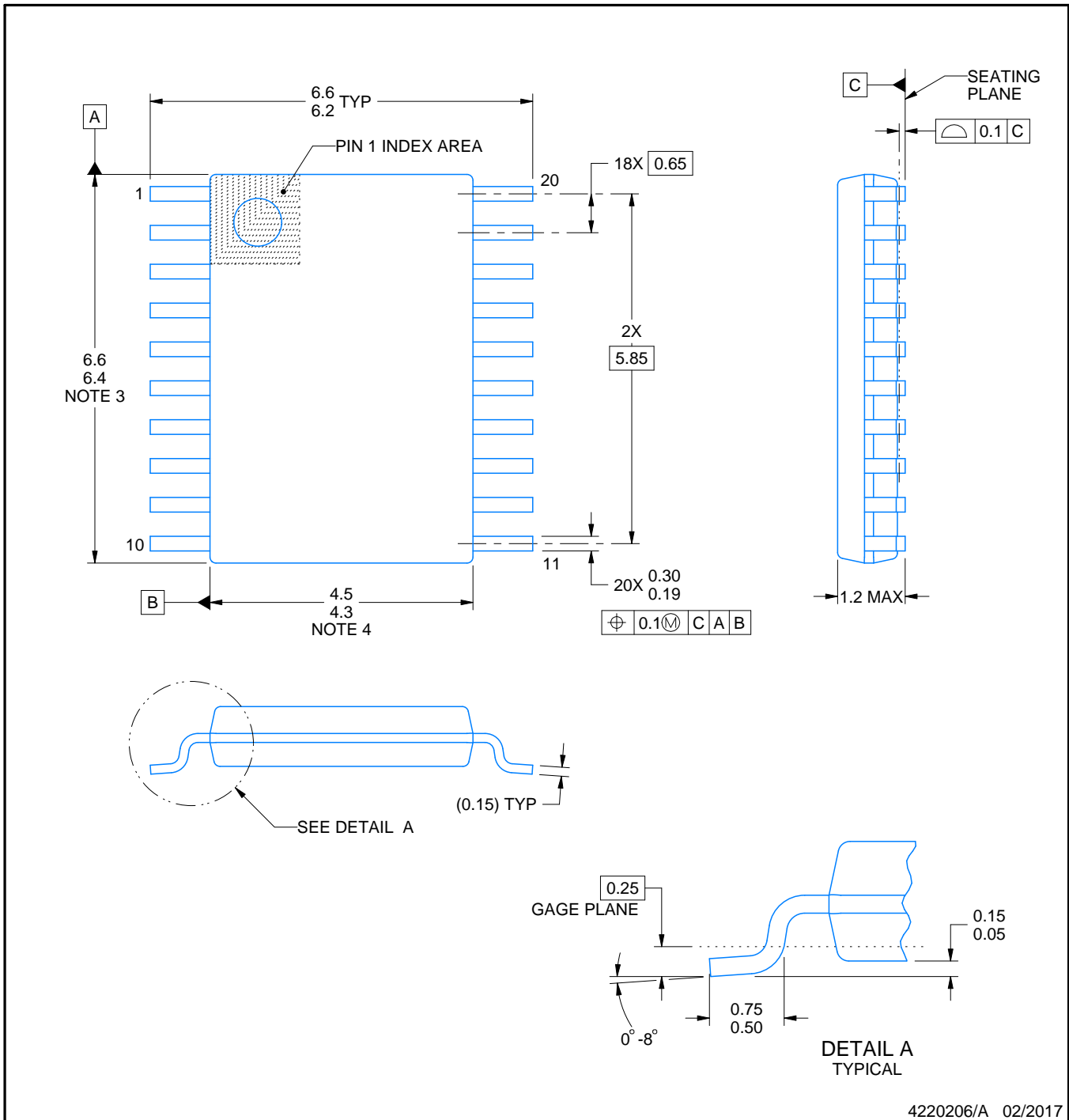
8. Laser cutting apertures with trapezoidal walls and rounded corners may offer better paste release. IPC-7525 may have alternate design recommendations.
9. Board assembly site may have different recommendations for stencil design.

PW0020A



**PACKAGE OUTLINE**  
**TSSOP - 1.2 mm max height**

SMALL OUTLINE PACKAGE



4220206/A 02/2017

NOTES:

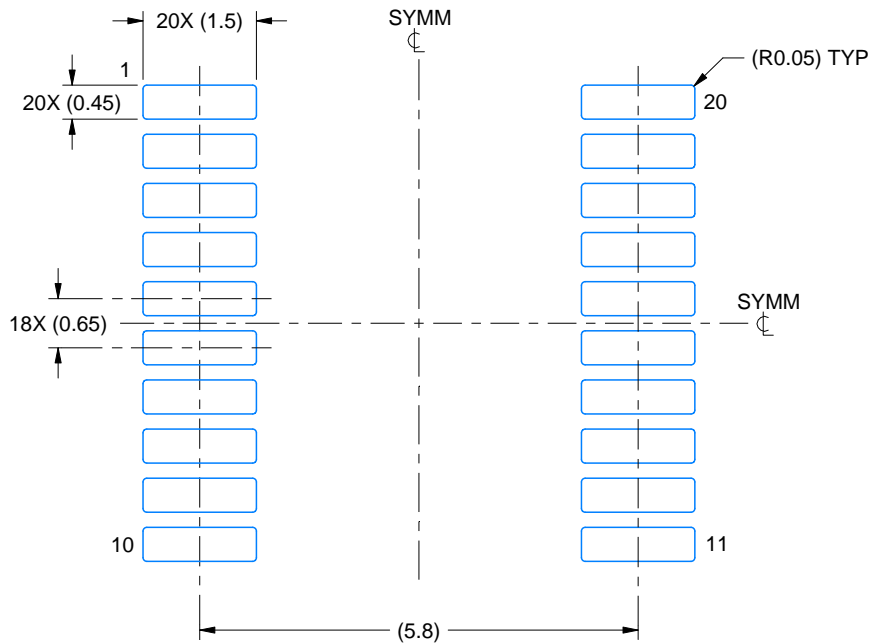
- All linear dimensions are in millimeters. Any dimensions in parenthesis are for reference only. Dimensioning and tolerancing per ASME Y14.5M.
- This drawing is subject to change without notice.
- This dimension does not include mold flash, protrusions, or gate burrs. Mold flash, protrusions, or gate burrs shall not exceed 0.15 mm per side.
- This dimension does not include interlead flash. Interlead flash shall not exceed 0.25 mm per side.
- Reference JEDEC registration MO-153.

# EXAMPLE BOARD LAYOUT

PW0020A

TSSOP - 1.2 mm max height

SMALL OUTLINE PACKAGE



LAND PATTERN EXAMPLE  
EXPOSED METAL SHOWN  
SCALE: 10X



SOLDER MASK DETAILS

4220206/A 02/2017

NOTES: (continued)

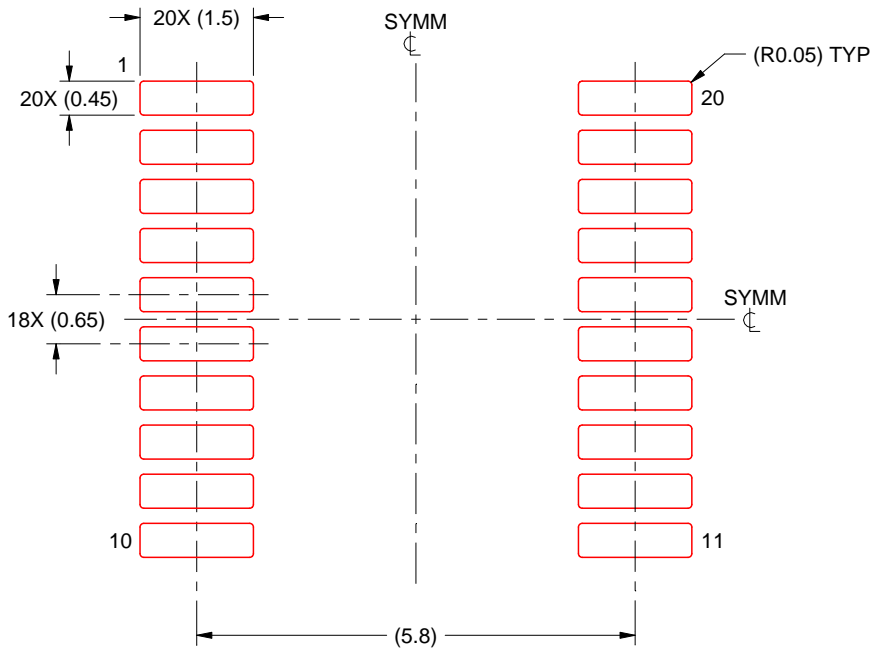
- 6. Publication IPC-7351 may have alternate designs.
- 7. Solder mask tolerances between and around signal pads can vary based on board fabrication site.

# EXAMPLE STENCIL DESIGN

PW0020A

TSSOP - 1.2 mm max height

SMALL OUTLINE PACKAGE



SOLDER PASTE EXAMPLE  
BASED ON 0.125 mm THICK STENCIL  
SCALE: 10X

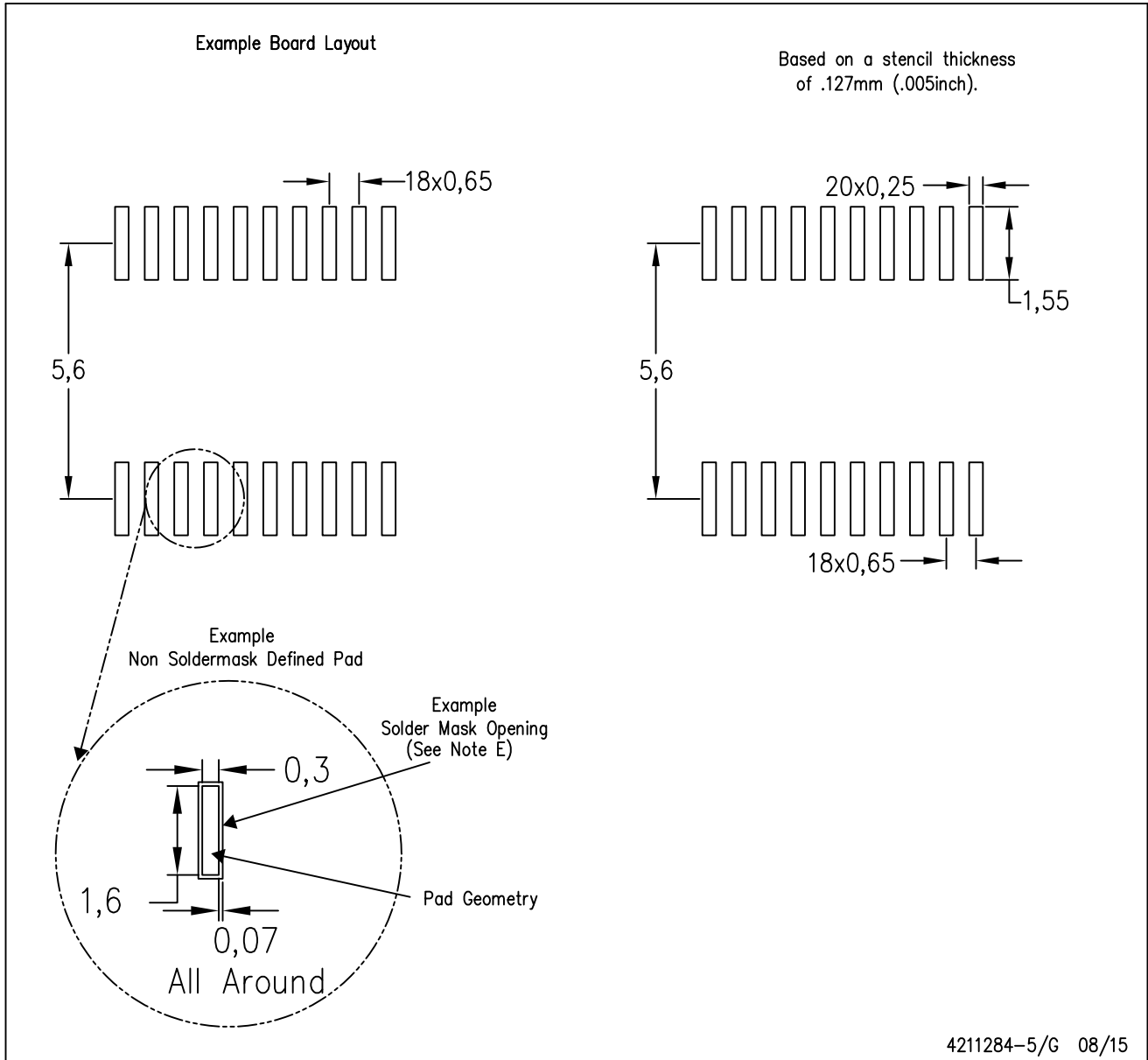
4220206/A 02/2017

NOTES: (continued)

8. Laser cutting apertures with trapezoidal walls and rounded corners may offer better paste release. IPC-7525 may have alternate design recommendations.
9. Board assembly site may have different recommendations for stencil design.

PW (R-PDSO-G20)

PLASTIC SMALL OUTLINE



- NOTES:
- A. All linear dimensions are in millimeters.
  - B. This drawing is subject to change without notice.
  - C. Publication IPC-7351 is recommended for alternate design.
  - D. Laser cutting apertures with trapezoidal walls and also rounding corners will offer better paste release. Customers should contact their board assembly site for stencil design recommendations. Refer to IPC-7525 for other stencil recommendations.
  - E. Customers should contact their board fabrication site for solder mask tolerances between and around signal pads.

## IMPORTANT NOTICE AND DISCLAIMER

TI PROVIDES TECHNICAL AND RELIABILITY DATA (INCLUDING DATA SHEETS), DESIGN RESOURCES (INCLUDING REFERENCE DESIGNS), APPLICATION OR OTHER DESIGN ADVICE, WEB TOOLS, SAFETY INFORMATION, AND OTHER RESOURCES "AS IS" AND WITH ALL FAULTS, AND DISCLAIMS ALL WARRANTIES, EXPRESS AND IMPLIED, INCLUDING WITHOUT LIMITATION ANY IMPLIED WARRANTIES OF MERCHANTABILITY, FITNESS FOR A PARTICULAR PURPOSE OR NON-INFRINGEMENT OF THIRD PARTY INTELLECTUAL PROPERTY RIGHTS.

These resources are intended for skilled developers designing with TI products. You are solely responsible for (1) selecting the appropriate TI products for your application, (2) designing, validating and testing your application, and (3) ensuring your application meets applicable standards, and any other safety, security, regulatory or other requirements.

These resources are subject to change without notice. TI grants you permission to use these resources only for development of an application that uses the TI products described in the resource. Other reproduction and display of these resources is prohibited. No license is granted to any other TI intellectual property right or to any third party intellectual property right. TI disclaims responsibility for, and you will fully indemnify TI and its representatives against, any claims, damages, costs, losses, and liabilities arising out of your use of these resources.



TI's products are provided subject to [TI's Terms of Sale](#) or other applicable terms available either on [ti.com](https://www.ti.com) or provided in conjunction with such TI products. TI's provision of these resources does not expand or otherwise alter TI's applicable warranties or warranty disclaimers for TI products.

TI objects to and rejects any additional or different terms you may have proposed.





Mailing Address: Texas Instruments, Post Office Box 655303, Dallas, Texas 75265  
Copyright © 2024, Texas Instruments Incorporated

## Looking for pricing, stock, or lifecycle information?

Click below to explore more details on WIN SOURCE:

-  [View SG1503Y on WIN SOURCE](#)
-  [Microchip Technology](#) Information

## Optimize Your Supply Chain with WIN SOURCE Solutions

-  Global Sourcing Solution
-  Obsolete Management
-  Cost Control Management
-  Shortage Management
-  Alternative Solution
-  Excess Inventory Management