



THE DATASHEET OF
S558-5999-79-F

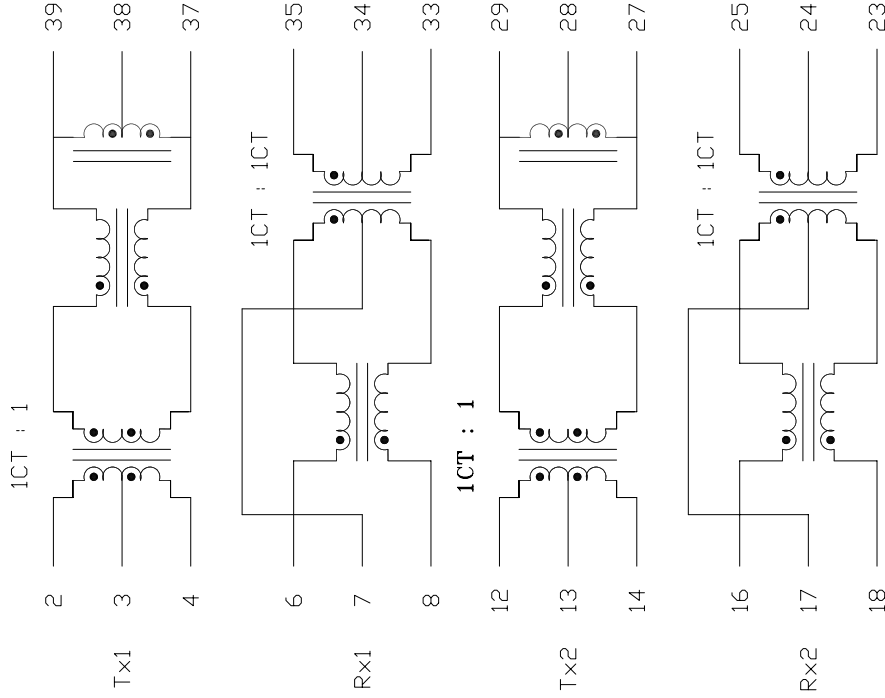


THE INFORMATION CONTAINED HEREIN IS CONSIDERED "PROPRIETARY" TO BEL FUSE INC. AND SHALL NOT BE COPIED, REPRODUCED OR DISCLOSED WITHOUT THE WRITTEN APPROVAL OF BEL FUSE INC.

PRELIMINARY

ELECTRICAL CHARACTERISTICS @ 25

SCHEMATIC



TRANS RATIO

Tx SIDE: 1CT : 1
Rx SIDE: 1CT : 1CT

POLARITY

2 & 39, 6 & 35
IN PHASE

DCL

350μH MIN. @
WITH 8mA D.C.

INSERTION LOSS

1.0dB MAX. AT

RETURN LOSS

MEASURED UNDER A 100 Ω
ENVIRONMENT

FREQ.(MHZ)	2
dB MIN	20

RISE TIME

2.5 nS TYP.

COMMON TO DIFFEENTIAL
MODE REJECTION

40dB MIN. AT

COMMON TO COMMON
MODE REJECTION

30dB MIN. AT

CROSSTALK

35dB MIN. AT

HIPOT

PER HAND-WO

DRWN DATE 12-10-04
DQ Chen
CHKD DATE 12-10-04
HO

TITLE
10/100BT DUAL MAGNETICS MODULE

PART NO. / DRAWING NO.
X558599979-F
FILE NAME
X558599979FPA.DWG

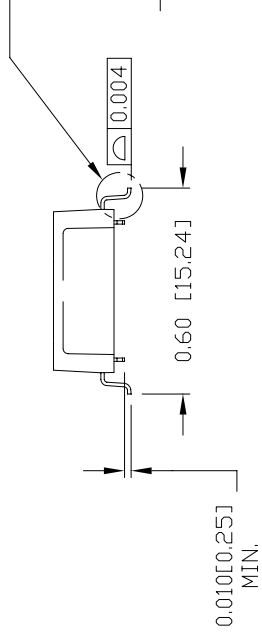
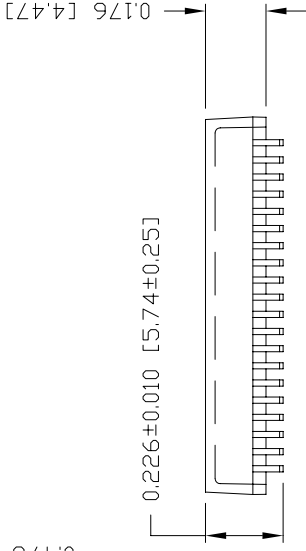
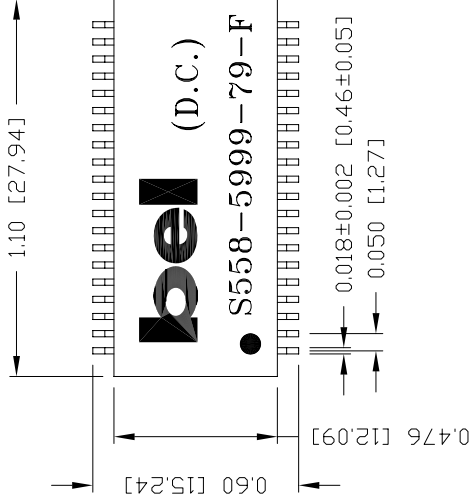
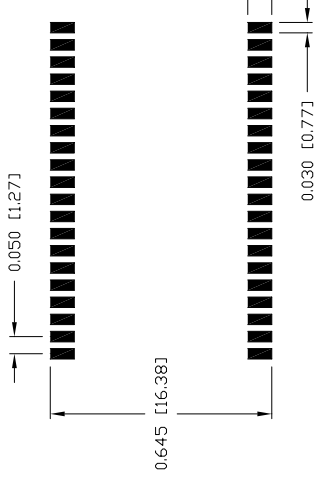
STANDARD DIM.	UN
TOL. IN INCH	.X
	.XX
	.XXX

FORM NO. - ENG02082001

THE INFORMATION CONTAINED HEREIN IS CONSIDERED "PROPRIETARY" TO BEL FUSE INC. AND SHALL NOT BE COPIED, REPRODUCED OR DISCLOSED WITHOUT THE WRITTEN APPROVAL OF BEL FUSE INC.

PRELIMINARY

SUGGESTED PCB PAD LAYOUT



NOTES:

1. STANDARD MARKING REFER TO DOC. HAND-WORK-04.
2. PACKAGE CODE: "RRS001".

DRWN	DATE	TITLE
Yang Hao	12-10-04	MECHANICAL DRAWING
CHKD	DATE	
Lawrence	12-10-04	S558-5999-79-F

PART NO. / DRAWING NO.
X558599979-F
FILE NAME
X558599979FFPA.DWG

STANDARD DIM.	TOL. IN INCH
UN	.X
SC	.XX ±0.01
	.XXX ±0.005

FORM NO. - ENG02082001

Looking for pricing, stock, or lifecycle information?

Click below to explore more details on WIN SOURCE:

 [View S558-5999-79-F on WIN SOURCE](#)

 [Bel Fuse Inc. Information](#)

Optimize Your Supply Chain with WIN SOURCE Solutions

-  Global Sourcing Solution
-  Obsolete Management
-  Cost Control Management
-  Shortage Management
-  Alternative Solution
-  Excess Inventory Management