



THE DATASHEET OF PI3CH281LE



Low Voltage, High Bandwidth, 2-Channel, 4:1 Mux/DeMux, NanoSwitch™ with Single Enable

Features

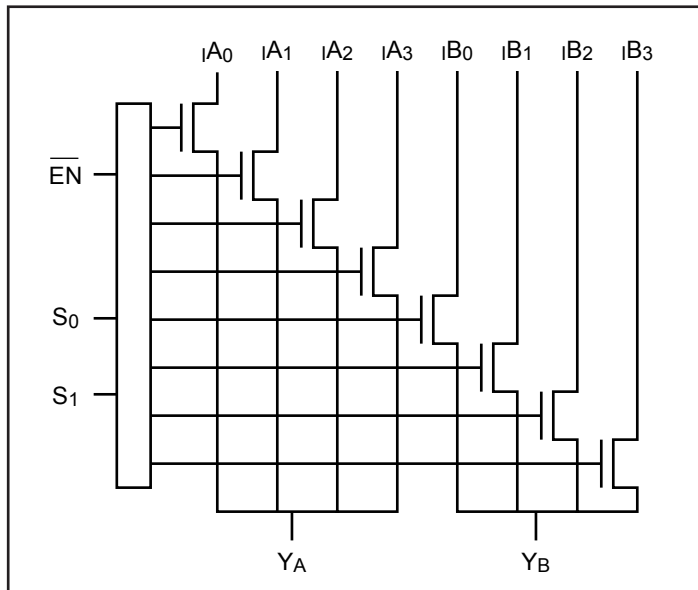
- Near-zero propagation delay
- 5-ohm switches connect inputs to outputs
- High signal passing bandwidth (300 MHz)
- Beyond Rail-to-Rail switching
- 5V I/O tolerant with 3.3V supply
- 2.5V and 3.3V supply voltage operation
- Hot insertion capable
- Industrial operating temperature: -40°C to $+85^{\circ}\text{C}$
- 2KV ESD Protection (human body model)
- Latch-up performance: $>250\text{mA}$ per JESD17
- Packaging (Pb-free & Green available):
 - 16-pin 150-mil wide plastic QSOP (Q)
 - 16-pin 173-mil wide plastic TSSOP (L)
 - 20-contact TQFN (ZH)

Description

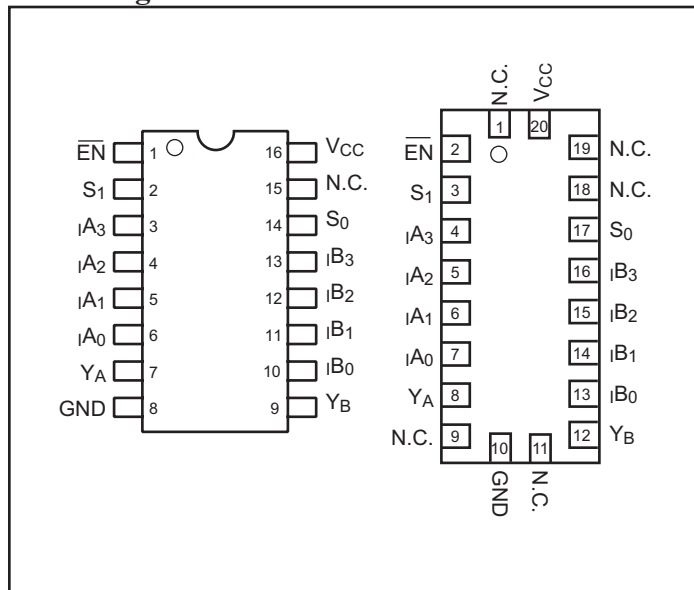
The PI3CH281 is a 2-channel, 4:1 Multiplexer/Demultiplexer with 3-state outputs. The switch introduces no additional ground bounce noise or propagation delay.

The PI3CH281 device is very useful in switching signals that have high bandwidth (300 MHz).

Block Diagram



Pin Configuration⁽¹⁾



Note:

1. N.C., = No internal connection

Pin Description

Pin Name	Description
I _{AN} , I _{BN}	Data Inputs
S ₀₋₁	Select Inputs
$\overline{\text{EN}}$	Enable
Y _A to Y _B	Data Outputs
GND	Ground
V _{CC}	Power

Truth Table⁽¹⁾

Enable	Select		Y	Function
$\overline{\text{EN}}$	S ₁	S ₀	Y	Function
H	X	X	Hi-Z	Disable
L	L	L	I ₀	S ₁₋₀ = 0
L	L	H	I ₁	S ₁₋₀ = 1
L	H	L	I ₂	S ₁₋₀ = 2
L	H	H	I ₃	S ₁₋₀ = 3

Note:

1. H=High Voltage Level; L=Low Voltage Level

Maximum Ratings

(Above which the useful life may be impaired. For user guidelines, not tested.)

Storage Temperature	-65°C to +150°C
Ambient Temperature with Power Applied	-40°C to +85°C
Supply Voltage to Ground Potential	-0.5V to +4.6V
DC Input Voltage	-0.5V to +6.0V
DC Output Current.....	120mA
Power Dissipation	0.5W

Note:

Stresses greater than those listed under MAXIMUM RATINGS may cause permanent damage to the device. This is a stress rating only and functional operation of the device at these or any other conditions above those indicated in the operational sections of this specification is not implied. Exposure to absolute maximum rating conditions for extended periods may affect reliability.

DC Electrical Characteristics, 3.3V Supply (Over the Operating Range, T_A = -40°C to +85°C, V_{CC} = 3.3V ±10%)

Parameters ⁽⁴⁾	Description	Test Conditions ⁽¹⁾	Min.	Typ ⁽²⁾	Max.	Units
V _{IH}	Input HIGH Voltage	Guaranteed Logic HIGH Level	2.0			V
V _{IL}	Input LOW Voltage	Guaranteed Logic LOW Level	-0.5		0.8	
V _{IK}	Clamp Diode Voltage	V _{CC} = Min., I _{IN} = -18 mA		-1.3	-1.8	
I _{IH}	Input HIGH Current	V _{CC} = Max., V _{IN} = V _{CC}			±1	μA
I _{IL}	Input LOW Current	V _{CC} = Max., V _{IN} = GND			±1	
I _{OZH}	High Impedance Output Current	0 ≤ Y, I _n ≤ V _{CC}			±1	
R _{ON}	Switch On-Resistance ⁽³⁾	V _{CC} = Min., V _{IN} = 0V, I _{ON} = 48 mA or -64mA		4	6	Ω
		V _{CC} = Min., V _{IN} = 3.6V, I _{ON} = -15 mA		5	8	

Notes:

1. For Max. or Min. conditions, use appropriate value specified under Electrical Characteristics for the applicable device type.
2. Typical values are at V_{CC} = 3.3V, T_A = 25°C ambient and maximum loading.
3. Measured by the voltage drop between Y and In pin at indicated current through the switch. On-Resistance is determined by the lower of the voltages on the two (Y, In) pins.
4. This parameter is determined by device characterization but is not production tested.

DC Electrical Characteristics, 2.5V Supply (Over Operating Range, $T_A = -40^{\circ}\text{C}$ to $+85^{\circ}\text{C}$, $V_{CC} = 2.5\text{V} \pm 10\%$)

Parameters ⁽⁴⁾	Description	Test Conditions ⁽¹⁾	Min.	Typ. ⁽²⁾	Max.	Units
V_{IH}	Input HIGH Voltage	Guaranteed Logic HIGH Level	1.8		$V_{CC} + 0.3$	V
V_{IL}	Inout LOW Voltage	Guaranteed Logic LOW Level	-0.3		0.8	
V_{IK}	Clamp Diode Voltage	$V_{CC} = \text{Max.}, I_{IN} = -6\text{mA}$		-0.7	-1.8	
I_{IH}	Input HIGH Current	$V_{CC} = \text{Max.}, V_{IN} = V_{CC}$			± 1	μA
I_{IL}	Input LOW Current	$V_{CC} = \text{Max.}, V_{IN} = \text{GND}$			± 1	
I_{OZH}	High Impedance Current	$0 \leq Y, \text{In} \leq V_{CC}$			± 1	
R_{ON}	Switch On-Resistance ⁽³⁾	$V_{CC} = \text{Min.}, V_{IN} = 0.0\text{V}, I_{ON} = -48\text{mA}$		6	8	Ω
		$V_{CC} = \text{Min.}, V_{IN} = 2.25\text{V}, I_{ON} = -15\text{mA}$		7	14	

Notes:

1. For Max. or Min. conditions, use appropriate value specified under Electrical Characteristics for the applicable device type.
2. Typical values are at $V_{CC} = 2.5\text{V}$, $T_A = 25^{\circ}\text{C}$ ambient and maximum loading.
3. Measured by the voltage drop between Y and In pin at indicated current through the switch. On-Resistance is determined by the lower of the voltages on the two (Y, In) pins.
4. This parameter is determined by device characterization but is not production tested.

Capacitance ($T_A = 25^{\circ}\text{C}$ $f = 1\text{MHz}$)

Parameters ⁽¹⁾	Description	Test Conditions	Typ.	Units
C_{IN}	Input Capacitance	$V_{IN} = 0\text{V}$	3.0	μF
$C_{OFF(IN)}$	In Capacitance, Switch Off		3.5	
$C_{OFF(Y)}$	Y Capacitance, Switch Off		12	
C_{ON}	Y/In Capacitance, Switch On		15.0	

Notes:

1. This parameter is determined by device characterization but is not production tested.

Power Supply Characteristics

Parameters	Description	Test Conditions ⁽¹⁾	Min.	Typ.	Max.	Units
I_{CC}	Quiescent Power Supply Current	$V_{CC} = 3.6\text{V}, V_{IN} = \text{GND or } V_{CC}$			0.8	mA

Notes:

1. For Max. or Min. conditions, use appropriate value specified under Electrical Characteristics for the applicable device.

Dynamic Electrical Characteristics Over the Operating Range ($T_A = -40^\circ$ to $+85^\circ$, $V_{CC} = 3.3V \pm 10\%$)

Parameter	Description	Test Condition	Min.	Typ.	Max.	Units
X _{TALK}	Crosstalk	See Test Diagram		-60		dB
O _{IRR}	Off-Isolation	See Test Diagram		-60		
BW	-3dB Bandwidth	See Test Diagram	200	300		MHz

Switching Characteristics over 3.3V Operating Range

Parameters	Description	Conditions ⁽¹⁾	Com.			Units
			Min.	Typ.	Max.	
t _{PLH} t _{PHL}	Propogation Delay ^(2,3) Y to In, In to Y	See Test Diagram			0.3	ns
t _{PZH} t _{PZL}	Enable Time S or \overline{EN} to Y or In	See Test Diagram	1.5		9.0	
t _{PHZ} t _{PLZ}	Disable Time S or \overline{EN} to Y or In		1.5		9.0	

Notes:

1. See test circuit and waveforms.
2. This parameter is guaranteed but not tested on Propagation Delays.
3. The switch contributes no propagational delay other than the RC delay of the On-Resistance of the switch and the load capacitance. The time constant for the switch alone is of the order of 0.30ns for 10pF load. Since this time constant is much smaller than the rise/fall times of typical driving signals, it adds very little propagational delay to the system. Propagational delay of the switch when used in a system is determined by the driving circuit on the driving side of the switch and its interaction with the load on the driven side.

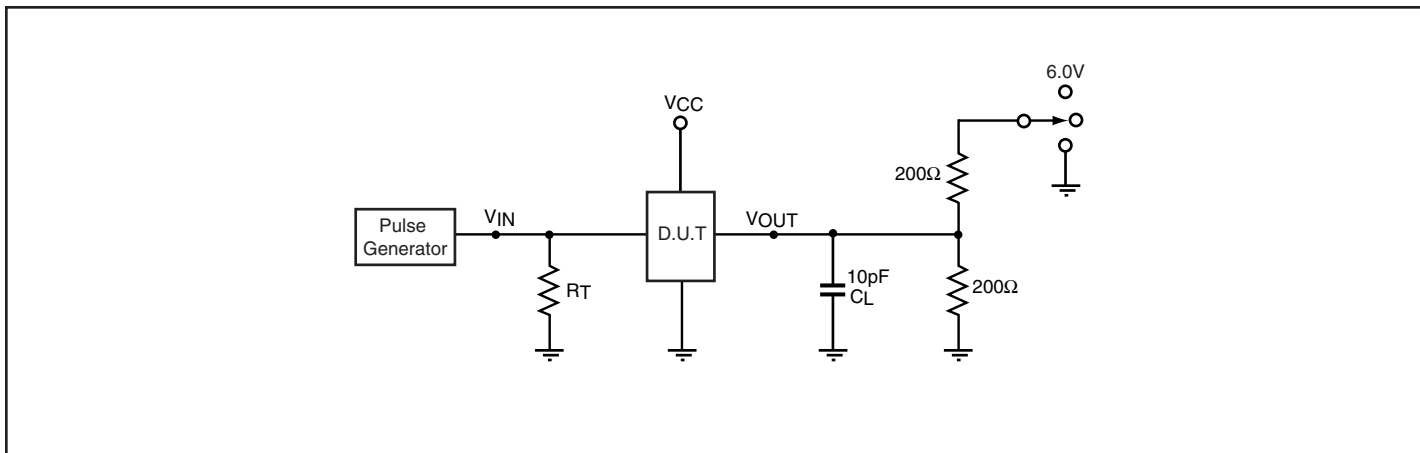
Switching Characteristics over 2.5V Operating Range

Parameters	Description	Conditions ⁽¹⁾	Com.		Units
			Min.	Max.	
t _{PLH} t _{PHL}	Propogation Delay ^(2,3) Y to In, In to Y	See Test Diagram		0.3	ns
t _{PZH} t _{PZL}	Enable Time S or \overline{EN} to Y or In	See Test Diagram	1.5	15.0	
t _{PHZ} t _{PLZ}	Disable Time S or \overline{EN} to Y or In		1.5	12.0	

Notes:

1. See test circuit and waveforms.
2. This parameter is guaranteed but not tested on Propagation Delays.
3. The switch contributes no propagational delay other than the RC delay of the On-Resistance of the switch and the load capacitance. The time constant for the switch alone is of the order of 0.30ns for 10pF load. Since this time constant is much smaller than the rise/fall times of typical driving signals, it adds very little propagational delay to the system. Propagational delay of the switch when used in a system is determined by the driving circuit on the driving side of the switch and its interaction with the load on the driven side.

Test Circuit for Electrical Characteristics



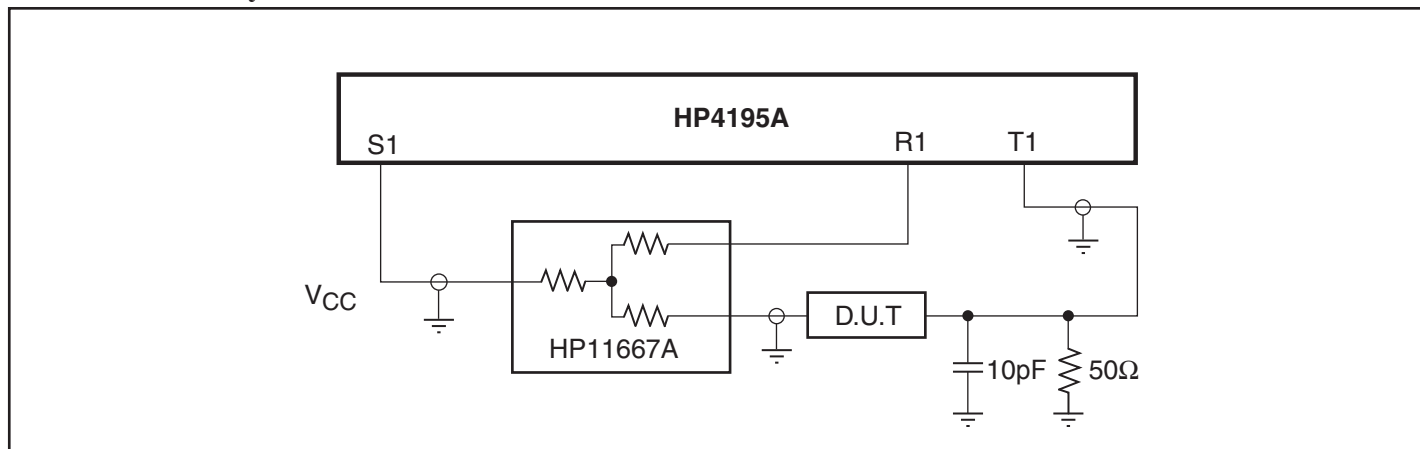
Notes:

- C_L = Load capacitance: includes jig and probe capacitance.
- R_T = Termination resistance: should be equal to Z_{OUT} of the Pulse Generator
- Waveform 1 is for an output with internal conditions such that the output is low except when disabled by the output control.
- Waveform 2 is for an output with internal conditions such that the output is high except when disabled by the output control.
- All input impulses are supplied by generators having the following characteristics: $PRR \leq 10$ MHz, $Z_O = 50$ -ohm, $t_R \leq 2.5$ ns, $t_F \leq 2.5$ ns.
- The outputs are measured one at a time with one transition per measurement.

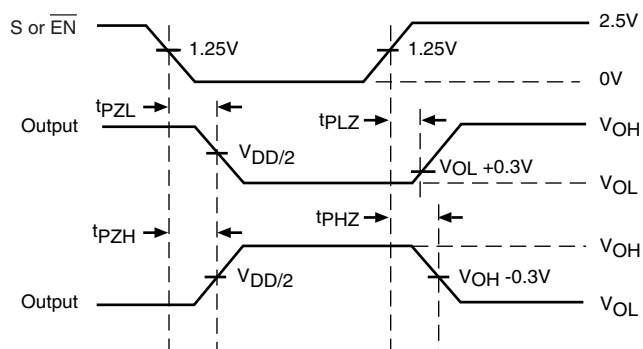
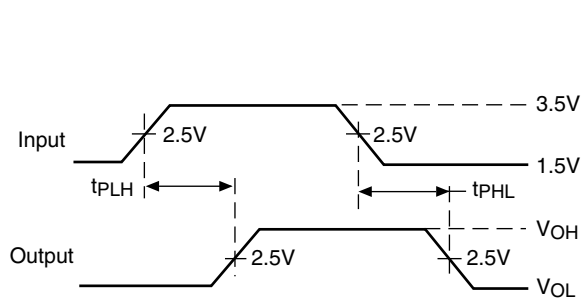
Switch Positions

Test	Switch
t_{PLZ} , t_{PZL}	6.0V
t_{PHZ} , t_{PZH}	GND
Prop Delay	Open

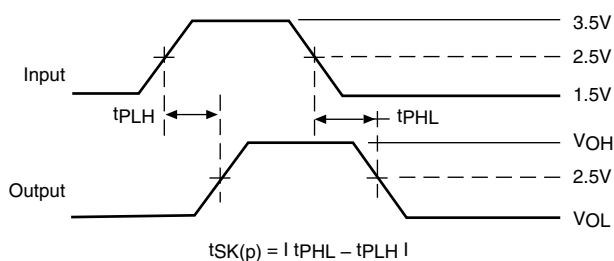
Test Circuit for Dynamic Electrical Characteristics



Switching Waveforms



Voltage Waveforms Enable and Disable Times



Pulse Skew - $t_{SK(p)}$

Applications Information

Logic Inputs

The logic control inputs can be driven up to 3.6V regardless of the supply voltage. For example, given a +3.3V supply, \overline{EN} may be driven LOW to 0V and HIGH to 3.6V. Driving \overline{EN} Rail-to-Rail® minimizes power consumption.

Power Supply-Sequencing

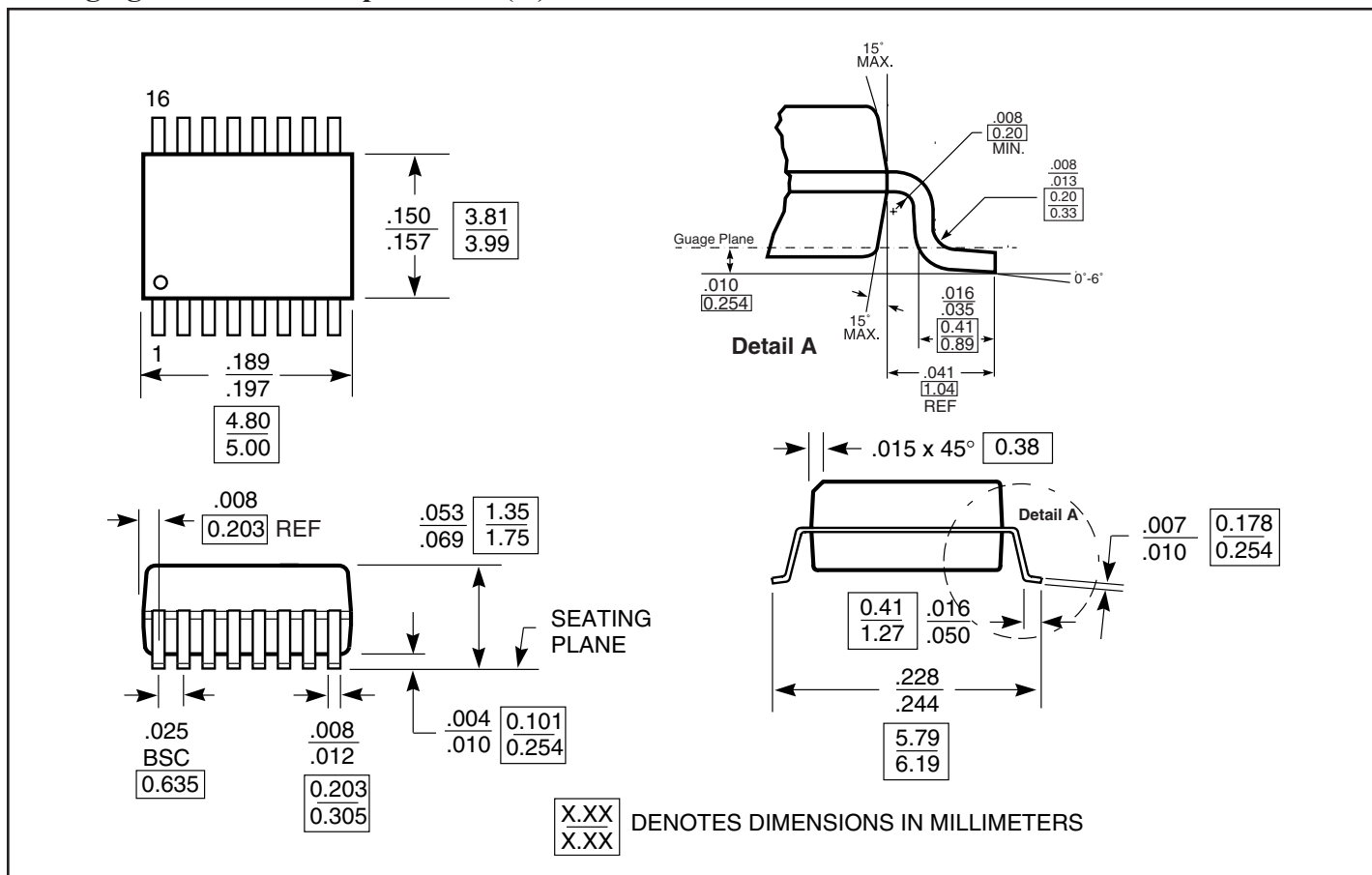
Proper power supply sequencing is recommended for all CMOS devices. Always apply V_{CC} before applying signals to the input/output or control pins.

Hot Insertion

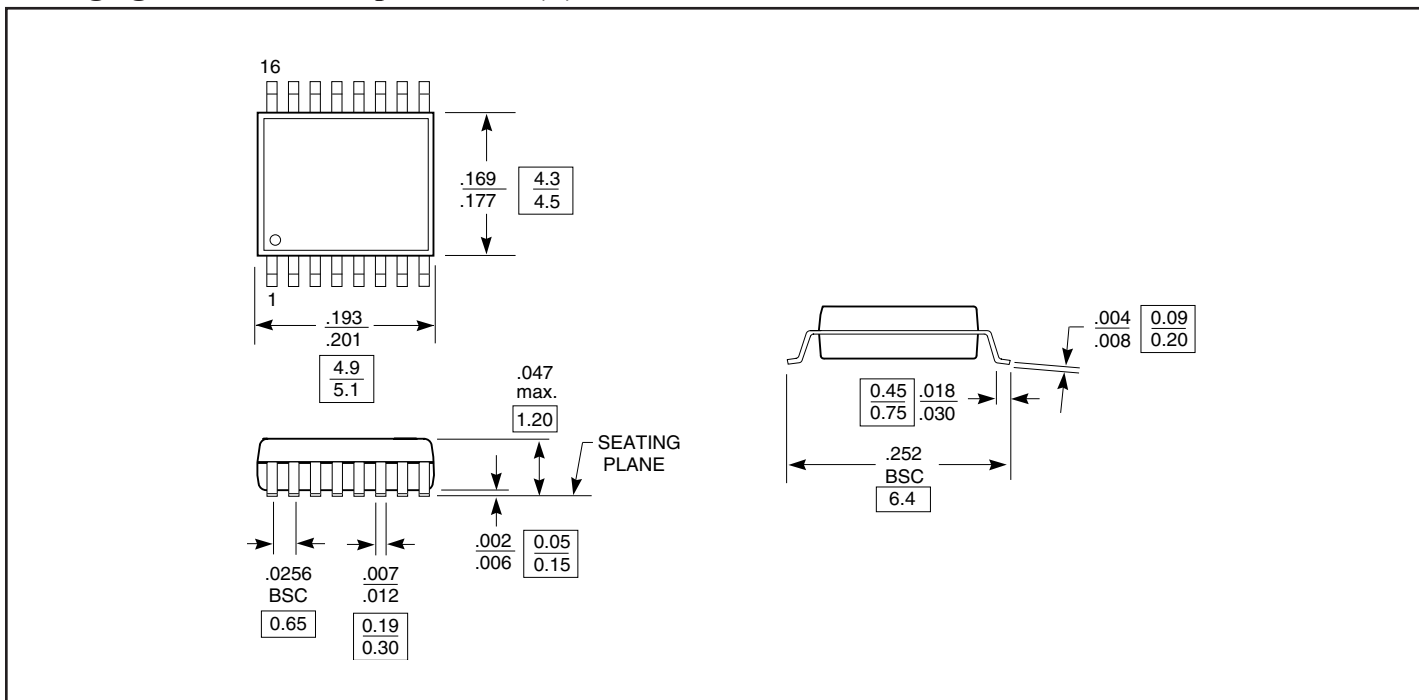
For Datacom and Telecom applications that have ten or more volts passing through the backplane, a high voltage from the power supply may be seen at the device input pins during hot insertion. The PI3CHxx devices have maximum limits of 6V and 120mA for 20ns. If the power is higher or applied for a longer time or repeatedly reaches the maximum limits, the devices can be damaged.

Rail-to-Rail is a registered trademark of Nippon Motorola, Ltd.

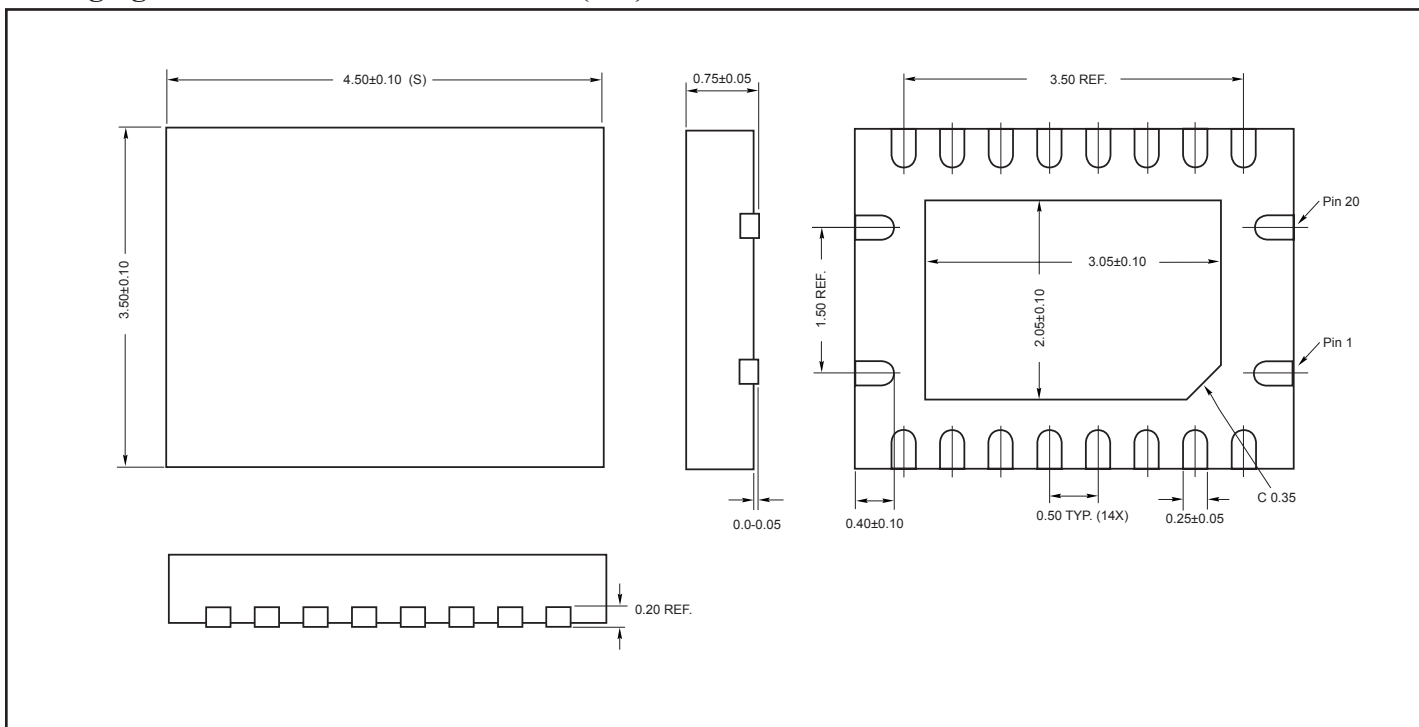
Packaging Mechanical: 16-pin QSOP (Q)



Packaging Mechanical: 16-pin TSSOP (L)



Packaging Mechanical: 20-contact TQFN (ZH)



Ordering Information



Ordering Code	Packaging Code	Package Description
PI3CH281Q	Q	150-mil, 16-pin QSOP
PI3CH281QE	Q	Pb-free & Green, 150-mil, 16-pin QSOP
PI3CH281L	L	173-mil, 16-pin TSSOP
PI3CH281LE	L	Pb-free & Green, 173-mil, 16-pin TSSOP
PI3CH281ZHE	ZH	Pb-free & Green, 16-contact TQFN

Notes:

- Thermal characteristics can be found on the company web site at www.pericom.com/packaging/
- E = Pb-free and Green
- Adding an X suffix = Tape /Reel

Looking for pricing, stock, or lifecycle information?

Click below to explore more details on WIN SOURCE:

-  [View PI3CH281LE on WIN SOURCE](#)
-  [Diodes Incorporated Information](#)

Optimize Your Supply Chain with WIN SOURCE Solutions

-  Global Sourcing Solution
-  Obsolete Management
-  Cost Control Management
-  Shortage Management
-  Alternative Solution
-  Excess Inventory Management