

# DATA SHEET

Part No.	AN17850A
Package Code No.	HSIP012-P-0000E

Maintenance/Discontinued includes following lifecycle stage.  
planned maintenance type  
maintenance type  
planned discontinued type  
discontinued type  
Please visit following URL about latest information.  
<http://www.semicon.panasonic.co.jp/en/>

## Contents

■ Applications .....	3
■ Package .....	3
■ Type .....	3
■ Application Circuit Example .....	4
■ Block Diagram .....	5
■ Pin Descriptions .....	5
■ Absolute Maximum Ratings .....	6
■ Operating Supply Voltage Range .....	6

Maintenance/Discontinued includes four Product lifecycle stage.  
Discontinued  
planned maintenance type  
maintenance type  
planned discontinued type  
discontinued type  
Please visit following URL about latest information.  
<http://www.semicon.panasonic.co.jp/en/>

# AN17850A

70 W (6  $\Omega$ )  $\times$  1-channel BTL power amplifier built-in standby and muting features incorporating various protection circuits

■ Applications

- ICs for audio

■ Package

- SIL 12-pin plastic package (power type with fin)

■ Type

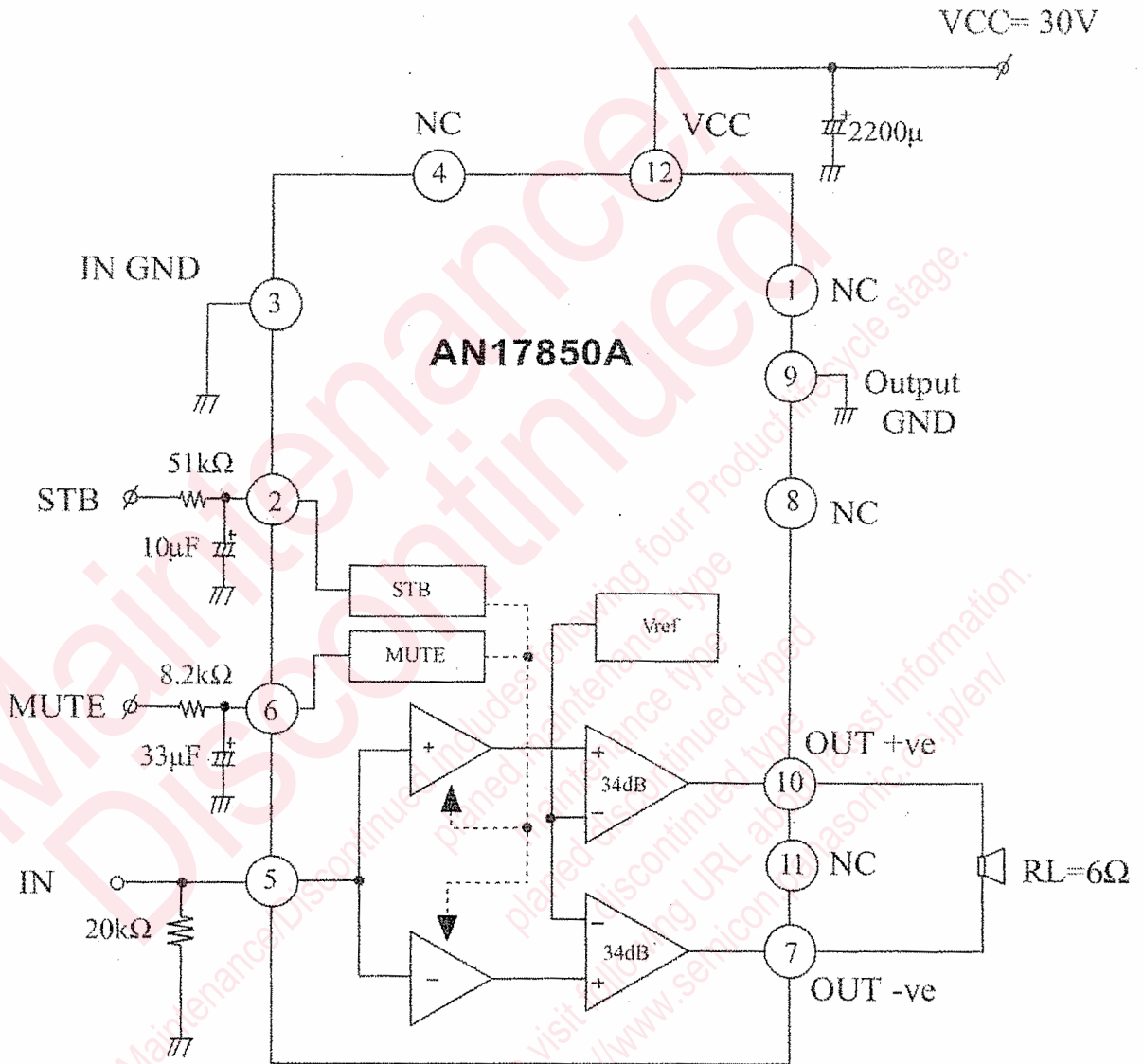
- Silicon monolithic bipolar IC

Maintenance/Discontinued

Maintenance/Discontinued includes four Product lifecycle stage.  
planned maintenance type  
maintenance type  
planned discontinued type  
discontinued type

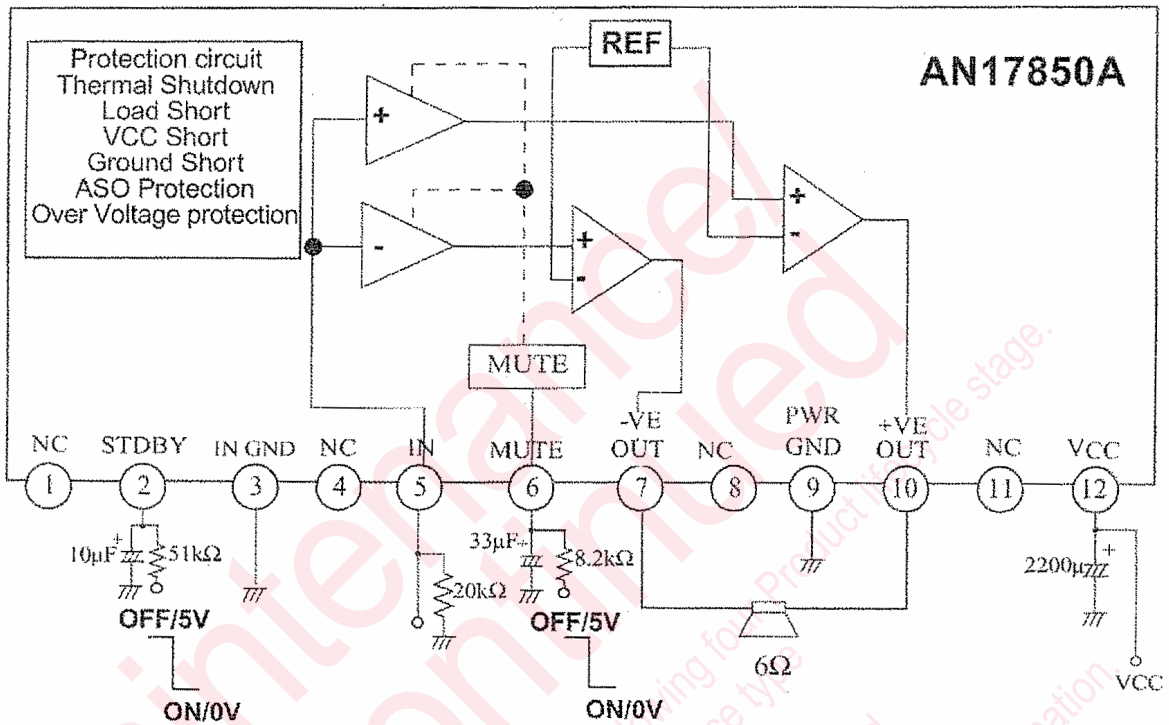
Please visit following URL about latest information.  
<http://www.semicon.panasonic.co.jp/en/>

■ Application Circuit Example



STB "off"	5 V
STB "on"	0 V
Mute "off"	5 V
Mute "on"	0 V

### ■ Block Diagram



### ■ Pin Descriptions

Pin No.	Description	Pin No.	Description
1	N.C.	7	-Ve phase output
2	Standby	8	N.C.
3	In GND	9	Power GND
4	N.C.	10	+Ve phase output
5	In	11	N.C.
6	Mute	12	V <sub>CC</sub>

### ■ Absolute Maximum Ratings

A No.	Parameter	Symbol	Rating	Unit	Note
1	Supply voltage	$V_{CC}$	33	V	*1
2	Supply current	$I_{CC}$	8.0	A	
3	Power dissipation	$P_D$	37.5	W	*2
4	Storage temperature	$T_{stg}$	-55 to +150	°C	
5	Operating ambient temperature	$T_{opr}$	-25 to +75	°C	
6	Operating ambient atmospheric pressure	$P_{opr}$	$1.013 \times 10^5 \pm 0.61 \times 10^5$	Pa	
7	Operating constant gravity	$G_{opr}$	9 810	m/S <sup>2</sup>	
8	Operating shock	$S_{opr}$	4 900	m/S <sup>2</sup>	

Note ) \*1: Without input signal,  $V_{CC}$  is up to 33 V.

\*2:  $T_a = 75^\circ\text{C}$ . For the independent IC without a heat sink.

### ■ Operating Supply Voltage Range

Parameter	Symbol	Range	Unit	Note
Supply voltage range	$V_{CC}$	10 to 32	V	

## utions in using the technical information and scribed in this book

s book is to be exported or provided to non-residents, the laws and  
rd to security export control, must be observed.

ly to show the main characteristics and application circuit examples  
l property right or other right owned by our company or any other  
any as to the infringement upon any such right owned by any other  
rmation described in this book.

standard applications or general electronic equipment (such as office  
and household appliances).

ng applications:

biles, traffic control equipment, combustion equipment, life support  
reliability are required, or if the failure or malfunction of the prod-

ck are subject to change without notice for modification and/or im-  
use of the products, therefore, ask for the most up-to-date Product  
atisfy your requirements.

bsolute maximum rating and the guaranteed operating conditions  
(.). Especially, please be careful not to exceed the range of absolute  
er-off and mode-switching. Otherwise, we will not be liable for any



take into the consideration of incidence of break down and failure  
n the systems such as redundant design, arresting the spread of fire  
al injury, fire, social damages, for example, by using the products.

own and characteristics change due to external factors (ESD, EOS,  
mounting or at customer's process. When using products for which  
shelf life and the elapsed time since first opening the packages.

ly or partially, without the prior written permission of Matsushita

## Looking for pricing, stock, or lifecycle information?

Click below to explore more details on WIN SOURCE:

-  [View AN17850A](#) on WIN SOURCE
-  [Panasonic](#) Information

## Optimize Your Supply Chain with WIN SOURCE Solutions

-  Global Sourcing Solution
-  Obsolete Management
-  Cost Control Management
-  Shortage Management
-  Alternative Solution
-  Excess Inventory Management