

DATA SHEET

Part No.	AN17020A
Package Code No.	*QFN016 - P - 0304

Maintenance/Discontinued includes following lifecycle stage.
planned maintenance type
maintenance type
planned discontinued type
discontinued type
Please visit following URL about latest information.
<http://www.semicon.panasonic.co.jp/en/>

Contents

■ Features	3
■ Applications	3
■ Package	3
■ Application Circuit	4
■ Block Diagram	5
■ Pin Description	5
■ Absolute Maximum Ratings	6
■ Operating Supply Voltage Range	6

Maintenance/Discontinued includes four Product lifecycle stage.
Discontinued
planned maintenance type
maintenance type
planned discontinued type
discontinued type
Please visit following URL about latest information.
<http://www.semicon.panasonic.co.jp/en/>

AN17020A

Silicon Monolithic Bipolar IC

■ Features

- Headphone amplifier IC HP / Line Control Function, Mute Function

■ Application

- Low Frequency Amplifier

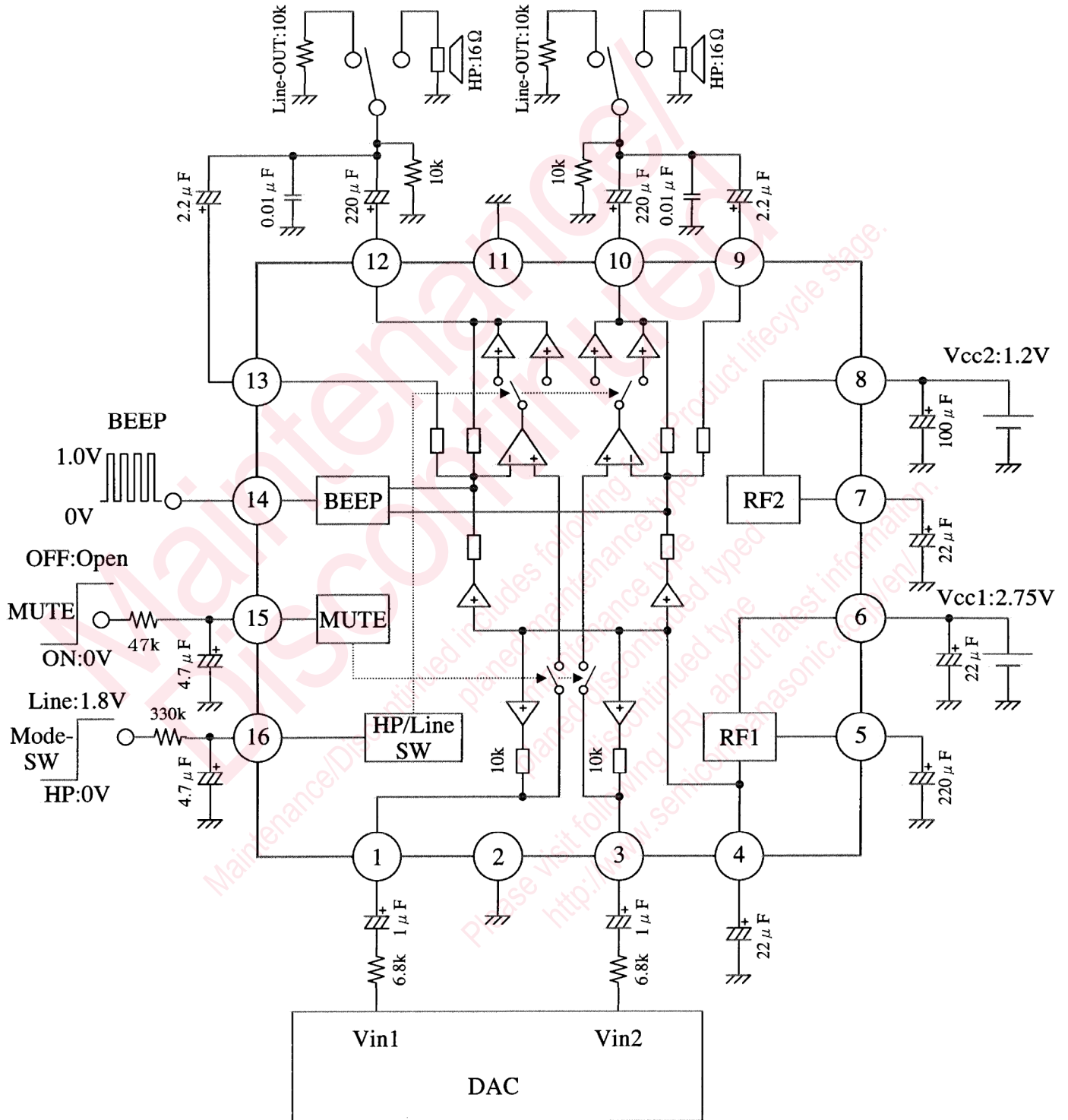
■ Package

- Quadangle - 16Pin Plastic Package (QFN type)

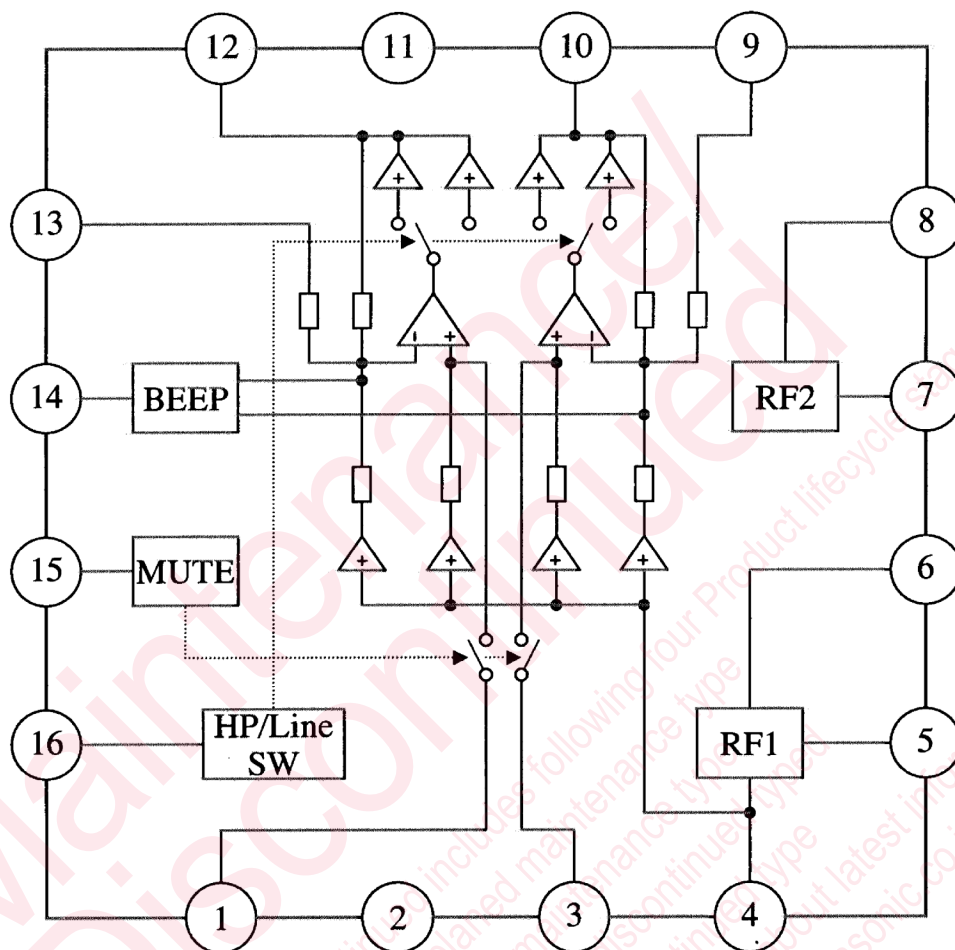
Maintenance/Discontinued

Maintenance/Discontinued includes following four Product lifecycle stage.
planned maintenance type
maintenance type
planned discontinued type
discontinued type
Please visit following URL about latest information.
<http://www.semicon.panasonic.co.jp/en/>

■ Application Circuit



■ Block Diagram



■ Pin Descriptions

Pin No.	Function	Pin No.	Function
1	Ch.1 input	9	Ch.2 sense output
2	GND (Input)	10	Ch.2 power output
3	Ch.2 input	11	GND (Output)
4	Half V_{CC1} reference voltage	12	Ch.1 power output
5	Ripple filter	13	Ch.1 sense output
6	V_{CC1}	14	BEEP output
7	Half V_{CC2} reference voltage	15	Muting output
8	V_{CC2}	16	HP / Line control

■ Absolute Maximum Ratings

No.	Parameter	Symbol	Rating	Unit	Note
1	Storage temperature	T_{stg}	-55 to +150	°C	*1
2	Operating ambient temp	T_{opr}	-25 to +75	°C	
3	Operating ambient atmospheric pressure	P_{opr}	$1.013 \times 10^5 \pm 0.61 \times 10^5$	Pa	
4	Operating constant gravity	G_{opr}	9 810	m/s ²	
5	Operating shock	S_{opr}	4 900	m/s ²	
6	Supply voltage 1	V_{CC1}	4.6	V	
7	Supply current 1	I_{CC1}	100	mA	
8	Supply voltage 2	V_{CC2}	4.6	V	
9	Supply current 2	I_{CC2}	200	mA	
10	Power dissipation	P_D	292	mW	*2

Note) *1 : $T_a = 25^\circ\text{C}$ except storage temperature and operating ambient temperature.

*2 : At $T_a = 75^\circ\text{C}$ on PCB of the standard, 50 mm × 50 mm × 0.8 mm glass-epoxy.

■ Operating Supply Voltage Range

Operating Supply Voltage Range	V_{CC1}	2.0 to 4.5
	V_{CC2}	0.9 to 4.5

utions in using the technical information and scribed in this book

s book is to be exported or provided to non-residents, the laws and
rd to security export control, must be observed.

ly to show the main characteristics and application circuit examples
l property right or other right owned by our company or any other
any as to the infringement upon any such right owned by any other
rmation described in this book.

standard applications or general electronic equipment (such as office
and household appliances).

ng applications:

biles, traffic control equipment, combustion equipment, life support
reliability are required, or if the failure or malfunction of the prod-

ck are subject to change without notice for modification and/or im-
use of the products, therefore, ask for the most up-to-date Product
atisfy your requirements.

bsolute maximum rating and the guaranteed operating conditions
(.). Especially, please be careful not to exceed the range of absolute
er-off and mode-switching. Otherwise, we will not be liable for any

take into the consideration of incidence of break down and failure
n the systems such as redundant design, arresting the spread of fire
al injury, fire, social damages, for example, by using the products.

own and characteristics change due to external factors (ESD, EOS,
mounting or at customer's process. When using products for which
shelf life and the elapsed time since first opening the packages.

ly or partially, without the prior written permission of Matsushita

Looking for pricing, stock, or lifecycle information?

Click below to explore more details on WIN SOURCE:

- ⊖ [View AN17020A-VB on WIN SOURCE](#)
- ⊖ [Panasonic Information](#)

Optimize Your Supply Chain with WIN SOURCE Solutions

- ✓ Global Sourcing Solution
- ✓ Obsolete Management
- ✓ Cost Control Management
- ✓ Shortage Management
- ✓ Alternative Solution
- ✓ Excess Inventory Management