



**THE DATASHEET OF
XRT71D04IV**



4 CHANNEL E3/DS3/STS-1 JITTER ATTENUATOR, STS-1 TO DS3 DESYNCHRONIZER

APRIL 2001

REV. 1.1.1

GENERAL DESCRIPTION

The XRT71D04 is a four channel, single chip Jitter Attenuator, that meets the Jitter transfer characteristic requirements specified in the ETSI TBR-24, Bellcore GR-499 and GR-253 standards.

In addition, the XRT71D04 also meets the Jitter and Wander specifications described in the ANSI T1.105.03b 1997, Bellcore GR-253 and GR-499 standards for Desynchronizing and Pointer adjustments in the DS3 to STS-SPE mapping applications.

FEATURES

- Meets the E3/DS3/STS-1 jitter requirements
- No external components required
- Compliant with jitter transfer template outlined in ITU G.751, G.752, G.755, GR-499-CORE,1995 GR-253-CORE standards

- Meets output jitter requirement as specified by ETSI TBR24
- Meets the Jitter and Wander specifications described in T1.105.03b,GR-253 and GR-499 standards
- Selectable buffer size of 16 and 32 bits
- Jitter attenuator can be disabled
- Available in a 80 pin TQFP package
- Single 3.3V or 5.0V supply.
- Operates over - 40⁰ C to 85⁰ C temperature range.

APPLICATIONS

- E3/DS3 Access Equipment
- STS-SPE to DS3 Mapper
- DSLAMs

FIGURE 1. BLOCK DIAGRAM (ONE CHANNEL)

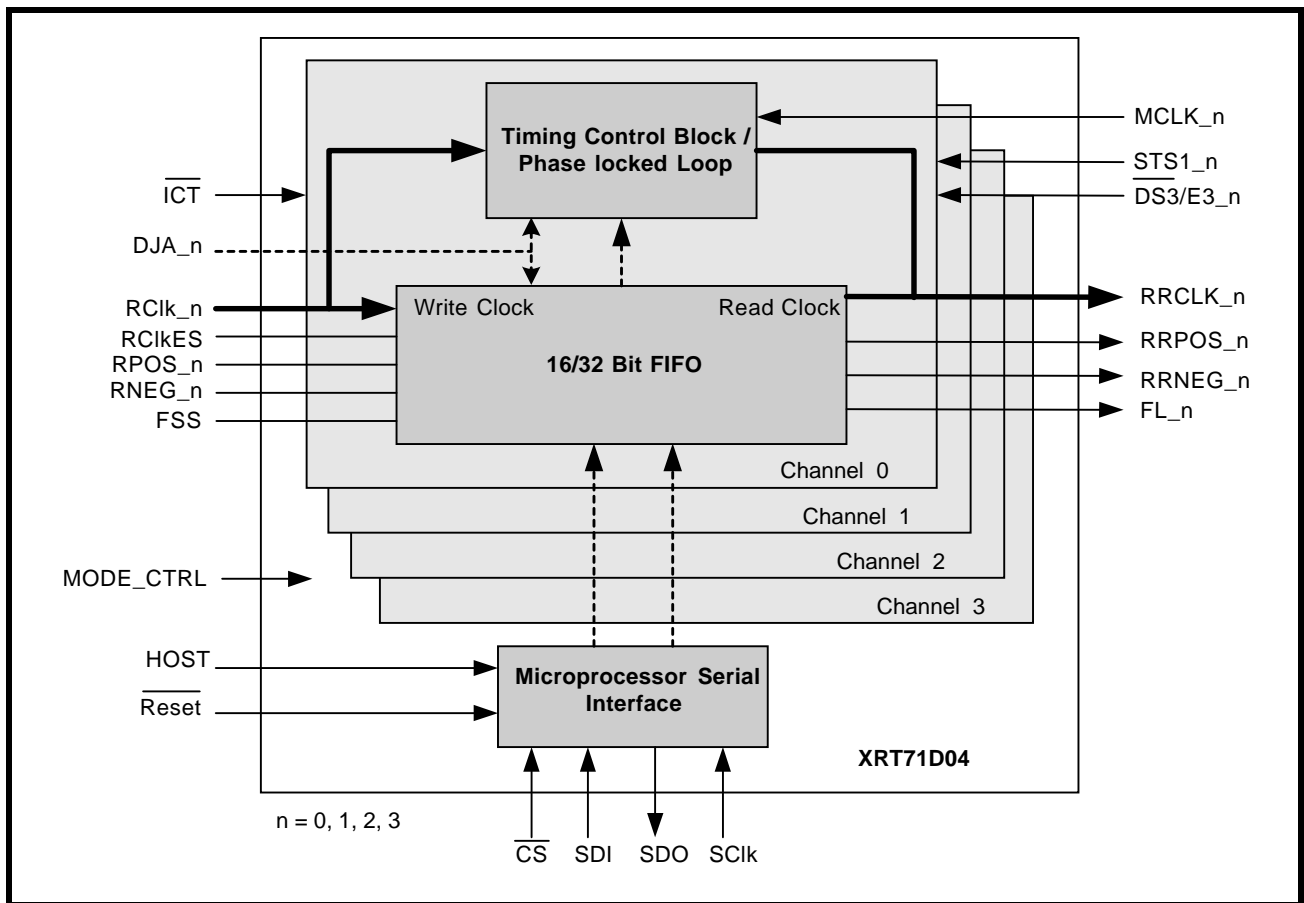
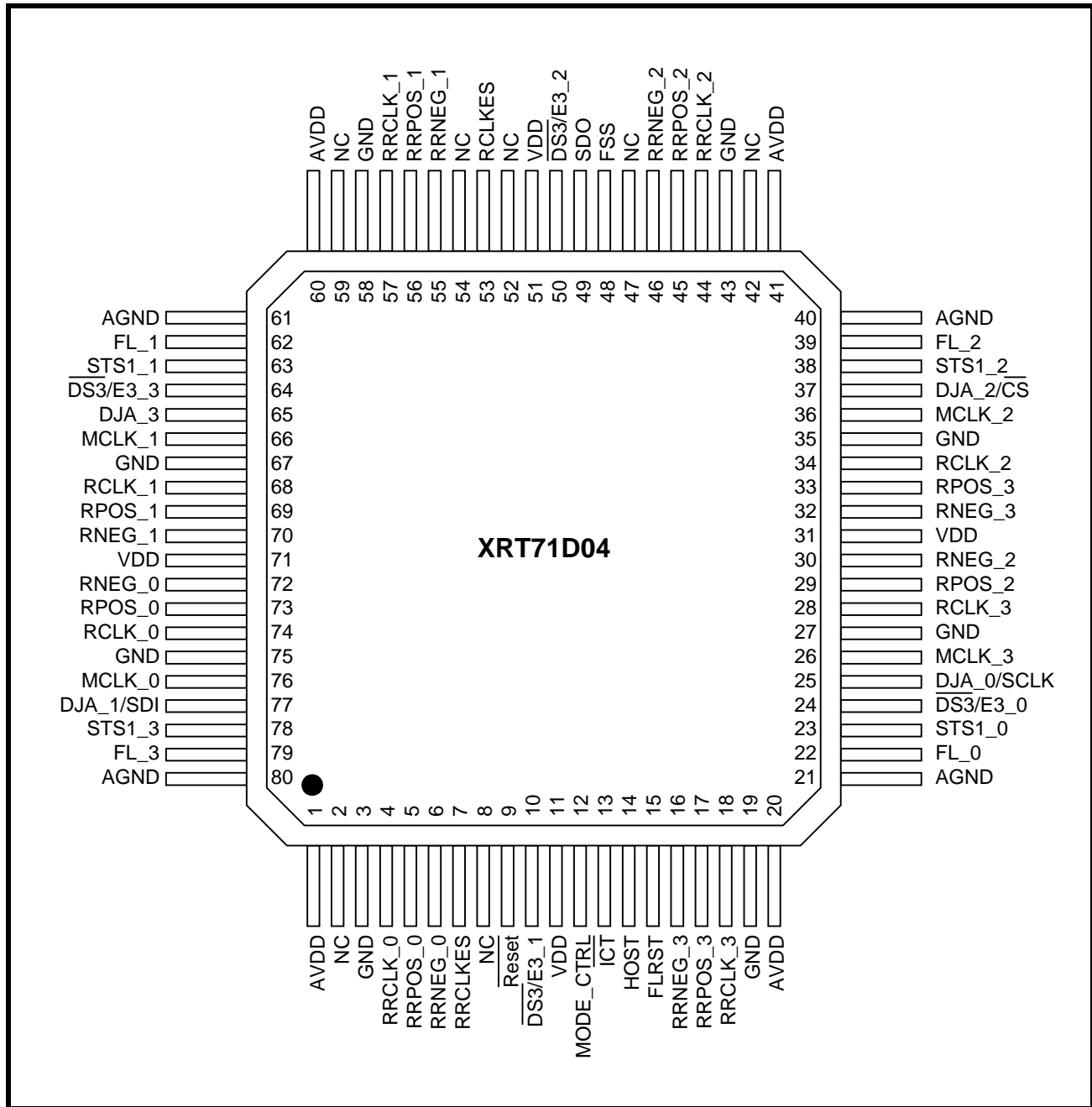


FIGURE 2. PIN OUT OF THE XRT71D04



ORDERING INFORMATION

PART NUMBER	PACKAGE	OPERATING TEMPERATURE RANGE
XRT71D04IV	80 Pin TQFP	-40°C to +85°C
THERMAL INFORMATION	Theta - J _A = ° C/W	Theta J _C = ° C/W

TABLE OF CONTENTS

GENERAL DESCRIPTION 1

FEATURES 1

APPLICATIONS 1

Figure 1. Block Diagram (one channel) 1

Figure 2. Pin Out of the XRT71D04 2

ORDERING INFORMATION 2

TABLE OF CONTENTS 1

PIN DESCRIPTIONS 3

ELECTRICAL CHARACTERISTICS 9

Figure 3. Input/Output Timing 9

Figure 4. Timing Diagram for the Microprocessor Serial Interface 10

SYSTEM DESCRIPTION 12

Figure 5. A typical Channel_n of the XRT71D04 configured to operate in the Hardware Mode . 12

Figure 6. A typical Channel_n of the XRT71D04 configured to operate in the Host Mode 13

1.0 Jitter Attenuator PLL 13

 1.1 BACKGROUND INFORMATION 13

 1.1.1 Definition of Jitter 13

 1.1.2 SONET STS-1 to DS3 Mapping 13

 1.2 JITTER TRANSFER CHARACTERISTICS 13

Figure 7. Category 1 DS3 Jitter Transfer Mask 14

 1.2.1 Jitter Tolerance 14

 1.2.2 Jitter Generation 14

 1.2.3 Jitter Attenuation 14

 1.2.4 SONET STS-1 DS3 Mapping 14

Figure 8. XRT71D04 Desynchronizer Block Diagram 15

 1.3 XRT71D04 JITTER TRANSFER CHARACTERISTICS 16

TABLE 1: XRT71D04 JITTER TRANSFER FUNCTION 16

TABLE 2: XRT71D04 MAXIMUM JITTER TOLERANCE 17

2.0 Operating Modes 17

 2.1 HARDWARE MODE 17

TABLE 3: FUNCTIONS OF DUAL MODE PINS IN HARDWARE MODE CONFIGURATION 17

 2.2 HOST MODE: 17

TABLE 4: ADDRESS AND BIT FORMATS OF THE COMMAND REGISTERS 18

3.0 Microprocessor Serial Interface 18

 3.1 SERIAL INTERFACE OPERATION 18

 3.1.1 Bit 1—R/W (Read/Write) Bit 18

 3.1.2 Bits 2 through 6—A0, A1, A2, A3, and A4 18

 3.1.3 Bit 7—A5 18

 3.1.4 Bit 8—A6 18

 3.1.5 Read Operation 18

 3.1.6 Write Operation 18

Figure 9. Microprocessor Serial Interface Data Structure 19

 3.1.7 Simplified Interface Option 19

Figure 10. Timing Diagram for the Microprocessor Serial Interface 19

ORDERING INFORMATION 20

PACKAGE DIMENSIONS 20

REVISION HISTORY 21

PIN DESCRIPTIONS

PIN DESCRIPTION

PIN #	NAME	TYPE	DESCRIPTION															
1	AVDD	****	Analog Power Supply = 5V±5% or 3.3V±5%															
2	NC		No Connection															
3	GND	****	Digital Ground															
4	RRCLK_0	O	Received Recovered Output (De-jittered) Clock - channel 0: Output is the de-jittered or smoothed clock if the jitter attenuator is enabled. The de-jittered data, RRPOS/RRNEG are clocked to this signal. If RRCLKES is "low", RRPOS/RRNEG will be updated at the falling edge of RRCLK. If RRCLKES is "high", RRPOS/RRNEG will be updated at the rising edge of RRCLK.															
5	RRPOS_0	O	Received Recovered Positive Data (De-Jittered) Output - channel 0: De-jittered positive data output. Updated on the rising or falling edge of RRCLK, depending upon the state of the RRCLKES input pin (or bit-field setting).															
6	RRNEG_0	O	Received Recovered Negative Data (De-Jittered) Output - channel 0: De-jittered negative data output. Updated on the rising or falling edge of RRCLK, depending upon the state of the RRCLKES input pin (or bit-field setting).															
7	RRCLKES	I	Received Recovered Clock Edge Select Input: Hardware Mode: 1. When RRCLKES = "0", then RRPOS and RRNEG are updated on the falling edge of RRCLK 2. When RRCLKES = "1", then RRPOS and RRNEG are updated on the rising edge of RRCLK NOTE: This applies to all channels. Host Mode Connect this pin to GND when the 71D04 is configured in the Host Mode. Internal 50 K Ohm pull-down resistor.															
8	NC		No Connection															
9	Reset	I	Reset Input. (Active-Low): A high-low transition will re-center the internal FIFO, and will clear the Command Registers (for Host Mode operation). Resetting this pin may corrupt data within the device. For normal operation, pull this pin to VDD. Internal 50 K Ohm pull-up resistor.															
10	DS3/E3_1	I	DS3/E3 Select Input - channel 1: This pin along with the STS-1 mode select pin selects the operating mode. The following table provides the configuration: <table border="1" style="margin-left: auto; margin-right: auto;"> <thead> <tr> <th>STS-1</th> <th>DS3/E3</th> <th>XRT71D04 Operating Mode</th> </tr> </thead> <tbody> <tr> <td>0</td> <td>0</td> <td>DS3 (44.736 MHz)</td> </tr> <tr> <td>0</td> <td>1</td> <td>E3 (34.368 MHz)</td> </tr> <tr> <td>1</td> <td>0</td> <td>STS-1 (51.84 MHz)</td> </tr> <tr> <td>1</td> <td>1</td> <td>E3 (34.368 MHz)</td> </tr> </tbody> </table> Internal 50 K Ohm pull-down resistor.	STS-1	DS3/E3	XRT71D04 Operating Mode	0	0	DS3 (44.736 MHz)	0	1	E3 (34.368 MHz)	1	0	STS-1 (51.84 MHz)	1	1	E3 (34.368 MHz)
STS-1	DS3/E3	XRT71D04 Operating Mode																
0	0	DS3 (44.736 MHz)																
0	1	E3 (34.368 MHz)																
1	0	STS-1 (51.84 MHz)																
1	1	E3 (34.368 MHz)																
11	VDD	****	Digital Power Supply = 5V±5% or 3.3V±5%															

PIN DESCRIPTION

PIN #	NAME	TYPE	DESCRIPTION
12	MODE_CTRL	I	Mode Control: When "High" in Multimode, all channels are independent. When "Low", the Master Channel (channel_0) controls DS3/E3_n, STS1_n, RCLKES, FSS and MCLK_n. DJA is NOT affected. Internal 50 K Ohm pull-up resistor.
13	$\overline{\text{ICT}}$	I	In Circuit Testing Input. (Active low): With this pin tied to ground, all output pins will be in high impedance mode for in-circuit-testing. For normal operation this input pin should be tied to VDD. Internal 50 K Ohm pull-up resistor.
14	HOST	I	Host/Hardware Mode Select: An active-high input enables the Host mode. Data is written to the command registers to configure the XRT71D04. In the Host mode, the states of discrete input pins are inactive. An active-low input enables the Hardware Mode. In this mode, the discrete inputs are active. Internal 50 K Ohm pull-down resistor.
15	FLRST	I	FIFO Limit Reset Hardware Mode Whenever the FIFO is within 2 bits of either underflow or overflow, the FL_n will be set high. This pin allows the user to reset the state of FL_n, (FIFO Limit) output pin. This pin when pulsed "High", resets the the FL_n output pin, (toggles to GND). <i>NOTE: The FL_n could be set "High" again if the FIFO is within 2 bits of either underflow or overflow.</i> Host Mode Reading the FL_n bits in the status registers clears this FL_n pin. Master $\overline{\text{Reset}}$ also clears the FL_n output. This pin is tied to GND. FLRST has no effect in this mode. Internal 50 K Ohm pull-down resistor.
16	RRNEG_3	O	Received Recovered Negative Data (De-Jittered) Output - channel 3: See description of pin 6
17	RRPOS_3	O	Received Positive Data (De-Jittered) Output - channel 3: See description of pin 5
18	RRCLK_3	O	Received Recovered Output (De-jittered) Clock - channel 3: See description of pin 4
19	GND	O	Digital Ground
20	AVDD	****	Analog Power Supply = 5V±5% or 3.3V±5%
21	AGND	****	Analog Ground
22	FL_0	O	FIFO Limit - channel 0: This output pin is driven high whenever the internal FIFO comes within two-bits of being either underflow or overflow.

PIN DESCRIPTION

PIN #	NAME	TYPE	DESCRIPTION															
23	STS1_0	I	<p>SONET STS1 Mode Select - channel 0: This pin along with the DS3/E3_0 select pin configures the XRT71D04 either in E3, DS3 or STS-1 mode. A table relating to the setting of the pins is given below:</p> <table border="1"> <thead> <tr> <th>STS-1</th> <th>DS3/E3</th> <th>XRT71D04 Operating Mode</th> </tr> </thead> <tbody> <tr> <td>0</td> <td>0</td> <td>DS3 (44.736 MHz)</td> </tr> <tr> <td>0</td> <td>1</td> <td>E3 (34.368 MHz)</td> </tr> <tr> <td>1</td> <td>0</td> <td>STS-1 (51.84 MHz)</td> </tr> <tr> <td>1</td> <td>1</td> <td>E3 (34.368 MHz)</td> </tr> </tbody> </table> <p>This input pin is active only in the Hardware Mode.</p>	STS-1	DS3/E3	XRT71D04 Operating Mode	0	0	DS3 (44.736 MHz)	0	1	E3 (34.368 MHz)	1	0	STS-1 (51.84 MHz)	1	1	E3 (34.368 MHz)
STS-1	DS3/E3	XRT71D04 Operating Mode																
0	0	DS3 (44.736 MHz)																
0	1	E3 (34.368 MHz)																
1	0	STS-1 (51.84 MHz)																
1	1	E3 (34.368 MHz)																
24	DS3/E3_0	I	<p>DS3/E3 Select Input - channel 0: See description pin 10. Internal 50 K Ohm pull-down resistor.</p>															
25	DJA_0/SCLK	I	<p>Hardware Mode Disable Jitter Attenuator Input - Channel 0: An active-high disables the Jitter Attenuator. The RPOS/RNEG and RCLK will be passed through without jitter attenuation.</p> <p>Host Mode Microprocessor Serial Interface Clock Signal: This signal will be used to (1) sample the data, on the SDI pin, on the rising edge of this signal. Additionally, during "Read" operations, the Microprocessor Serial Interface will update the SDO output on the falling edge of this signal. Internal 50 K Ohm pull-down resistor.</p>															
26	MCLK_3	I	<p>Master Clock Input - channel 3: Reference clock for internal PLL. 44.736MHz+/-20ppm or 34.368MHz+/-20ppm. This clock must be continuous and jitter free with duty cycle between 30 to 70%. It is permissible to use the EXCLK signal or STS1 clock. Internal 50 K Ohm pull-up resistor.</p>															
27	GND	****	Digital Ground															
28	RCLK_3	I	<p>Received Clock (Jittery) - channel 3: Clock input RCLK3 should be connected to the recovered clock. Internal 50 K Ohm pull-up resistor.</p>															
29	RPOS_2	I	<p>Received Positive Data (Jittery) Input: - channel 2: Data that is input on this pin is sampled on either the rising or falling edge of RCLK depending on the setting of the RCLKES pin (pin 10). If RCLKES is "high", then RPOS will be sampled on the falling edge of RCLK. If RCLKES is "low", then RPOS will be sampled on the rising edge of RCLK. Internal 50 K Ohm pull-up resistor.</p>															
30	RNEG_2	I	<p>Received Negative Data (Jittery) - channel 2: The input jittery negative data is sampled either on the rising or falling edge of RCLK depending on the setting of RCLKES. If RCLKES is "high", then RNEG will be sampled on the falling edge of RCLK. If RCLKES is "low", then RPOS will be sampled on the rising edge of RCLK. This pin is typically tied to the "RNEG" output pin of the LIU. Internal 50 K Ohm pull-up resistor.</p>															
31	VDD	****	Digital Power Supply = 5V±5% or 3.3V±5%															

PIN DESCRIPTION

PIN #	NAME	TYPE	DESCRIPTION
32	RNEG_3	I	Received Negative Data (Jittery) - channel 3: See description of pin 30. Internal 50 K Ohm pull-up resistor.
33	RPOS_3	I	Received Positive Data (Jittery) Input: - channel 3: See description of pin 29. Internal 50 K Ohm pull-up resistor.
34	RCLK_2	I	Received Clock (Jittery) - channel 2: See description of pin 28. Internal 50 K Ohm pull-up resistor.
35	GND	****	Digital Ground
36	MCLK_2	I	Master Clock Input - channel 2: See description of pin 26. Internal 50 K Ohm pull-up resistor.
37	DJA_2/ \overline{CS}	I	Hardware Mode Disable Jitter Attenuator Input - Channel 2: See description of pin 25 Host Mode Chip Select Input: An active-low input enables the serial interface. Internal 50 K Ohm pull-down resistor.
38	STS1_2	I	SONET STS1 Mode Select - channel 2: See description of pin 23
39	FL_2	O	FIFO Limit - channel 2: See description of pin 22
40	AGND	****	Analog Ground
41	AVDD	****	Analog Power Supply = 5V±5% or 3.3V±5%
42	NC		No Connection
43	GND	****	Digital Ground
44	RRCLK_2	O	Received Recovered Output (De-jittered) Clock - channel 2: See description of pin 4
45	RRPOS_2	O	Received Recovered Positive Data (De-Jittered) Output - channel 2: See description of pin 5
46	RRNEG_2	O	Received Recovered Negative Data (De-Jittered) Output - channel 2: See description of pin 6
47	NC		No Connection
48	FSS	I	FIFO Size Select Input: When "High": Selects 32 bits FIFO. When "Low": Selects 16 bits FIFO. Internal 50 K Ohm pull-down resistor.

PIN DESCRIPTION

PIN #	NAME	TYPE	DESCRIPTION
49	SDO	O	Serial Data Output: This pin will serially output the contents of the specified Command Register, during "Read" Operations. The data, on this pin, will be updated on the falling edge of the SCLK input signal. This pin will be tri-stated upon completion of data transfer.
50	$\overline{\text{DS3/E3}}_2$	I	$\overline{\text{DS3/E3}}$ Select Input - channel 2: See description pin 10. Internal 50 K Ohm pull-down resistor.
51	VDD	****	Digital Power Supply = 5V±5% or 3.3V±5%
52	NC	I	No Connection
53	RCLKES	I	Received Clock Edge Select Input: Hardware Mode 1. When RCLKES = "0", then RPOS and RNEG are updated on the falling edge of RCLK 2. When RCLKES = "1", then RPOS and RNEG are updated on the rising edge of RCLK NOTE: <i>This applies to all channels.</i> Host Mode Connect this pin to GND when the 71D04 is configured in the Host Mode. Internal 50 K Ohm pull-down resistor.
54	NC		No Connection
55	RRNEG_1	O	Received Recovered Negative Data (De-Jittered) Output - channel 1: See description of pin 6
56	RRPOS_1	O	Received Recovered Positive Data (De-Jittered) Output - channel 1: See description of pin 5
57	RRCLK_1	O	Received Recovered Output (De-jittered) Clock - channel 1: See description of pin 4
58	GND	****	Digital Ground
59	NC		No Connection
60	AVDD	****	Analog Power Supply = 5V±5% or 3.3V±5%
61	AGND	****	Analog Ground
62	FL_1	O	FIFO Limit - channel 1: See description of pin 22
63	STS1_1	I	SONET STS1 Mode Select - channel 1: See description of pin 23
64	$\overline{\text{DS3/E3}}_3$	I	$\overline{\text{DS3/E3}}$ Select Input - channel 3: See description pin 10. Internal 50 K Ohm pull-down resistor.
65	DJA_3	I	Disable Jitter Attenuator Input - Channel 3: See description of pin 25 Internal 50 K Ohm pull-down resistor.

PIN DESCRIPTION

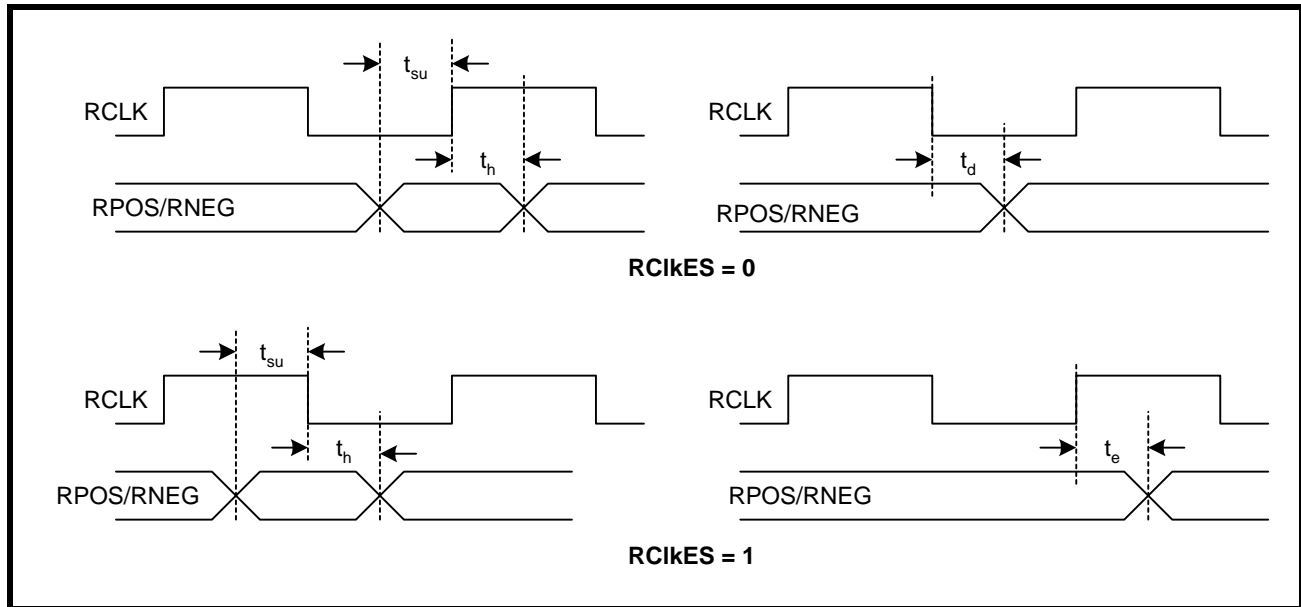
PIN #	NAME	TYPE	DESCRIPTION
66	MCLK_1	I	Master Clock Input - channel 1: See description of pin 26. Internal 50 K Ohm pull-up resistor.
67	GND	****	Digital Ground
68	RCLK_1	I	Received Clock (Jittery) - channel 1: See description of pin 28. Internal 50 K Ohm pull-up resistor.
69	RPOS_1	I	Received Positive Data (Jittery) Input: - channel 1: See description of pin 29. Internal 50 K Ohm pull-up resistor.
70	RNEG_1	I	Received Negative Data (Jittery) - channel 1: See description of pin 30. Internal 50 K Ohm pull-up resistor.
71	VDD	****	Digital Power Supply = 5V±5% or 3.3V±5%
72	RNEG_0	I	Received Negative Data (Jittery) - channel 0: See description of pin 30. Internal 50 K Ohm pull-up resistor.
73	RPOS_0	I	Received Positive Data (Jittery) Input: - channel 0: See description of pin 29. Internal 50 K Ohm pull-up resistor.
74	RCLK_0	I	Received Clock (Jittery) - channel 0: See description of pin 28. Internal 50 K Ohm pull-up resistor.
75	GND	****	Digital Ground
76	MCLK_0	I	Master Clock Input - channel 0: See description of pin 26. Internal 50 K Ohm pull-up resistor.
77	DJA_1/SDI	I	Harware Mode Disable Jitter Attenuator Input - Channel 1: See description of pin 25 Host Mode Serial Data Input The address value (of the command registers) or the data value is either Read or Written through this pin. The input data will be sampled on the rising edge of the SCLK pin. Internal 50 K Ohm pull-down resistor.
78	STS1_3	I	SONET STS1 Mode Select - channel 3: See description of pin 23
79	FL_3	O	FIFO Limit - channel 3: See description of pin 22
80	AGND	****	Analog Ground

ELECTRICAL CHARACTERISTICS

AC Electrical Characteristics

Electrical Characteristics (TA = 25°C, VDD = 3.3 V to 5.0 V ± 5 % unless otherwise specified)					
SYMBOL	PARAMETER	MIN	TYP	MAX	UNITS.
MClk	Duty Cycle	30	50	70	%
MClk	Frequency E3 ± 20 ppm		34.368		MHz
MClk	Frequency DS3 ± 20 ppm		44.736		MHz
MClk	Frequency STS-1 ± 20 ppm		51.84		MHz
RClk	Duty Cycle	30	50	70	%
RClk	Rise Time			5	ns
RClk	Fall Time			5	ns
tsu	RPOS/RNEG to RClk rise time setup	5			ns
th	RPOS/RNEG to RClk rising hold time	5			ns
td	RRPOS/RRNEG delay from RRClk rising			5	ns
te	RRPOS/RRNEG delay from RRClk falling			5	ns

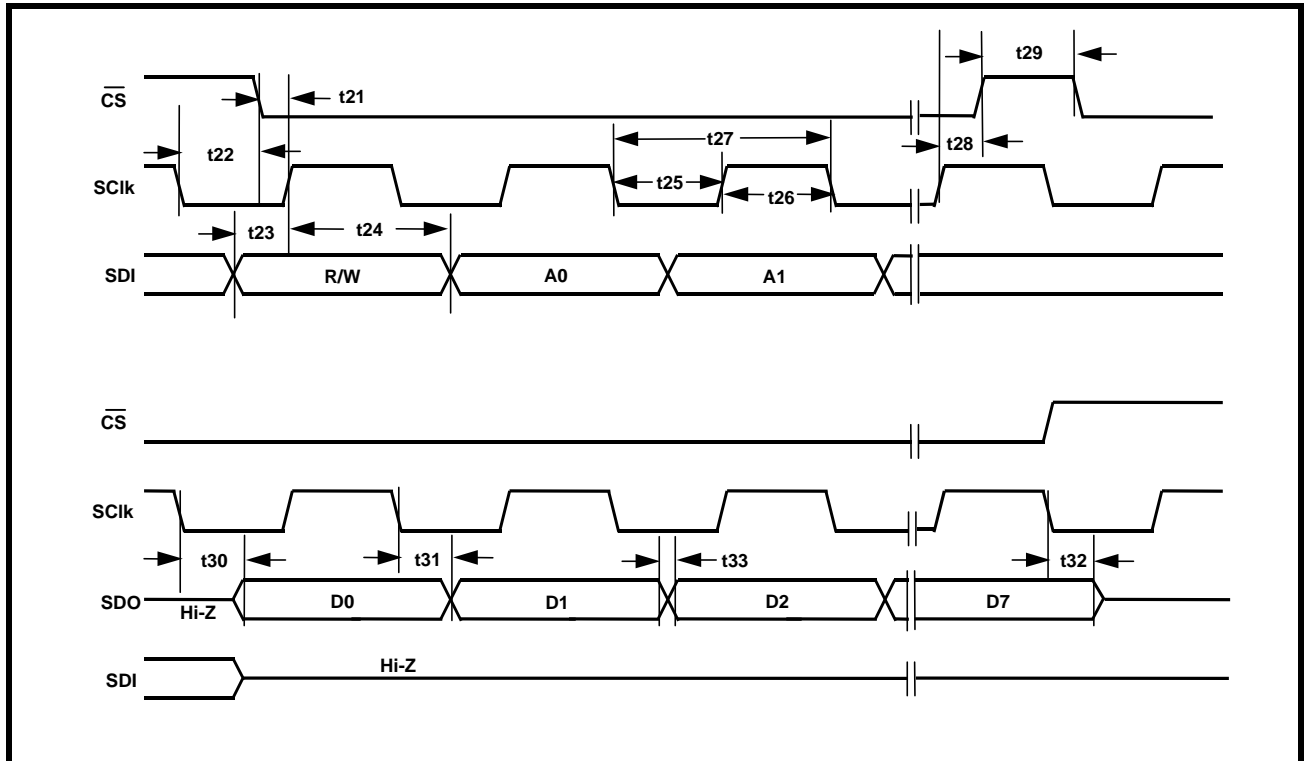
FIGURE 3. INPUT/OUTPUT TIMING



Microprocessor Serial Interface Timing (see Figure 4)

Electrical Characteristics (TA = 25°C, VDD = 3.3 V to 5.0 V ± 5 % unless otherwise specified)					
SYMBOL	PARAMETER	MIN	TYP	MAX	UNITS.
t21	CS Low to Rising Edge of SClk Setup Time	50			ns
t22	SClk to \overline{CS} Hold Time	20			ns
t23	SDI to Rising Edge of SClk Setup Time	50			ns
t24	SDI to Rising Edge of SClk Hold Time	50			ns
t25	SClk "Low" Time	240			ns
t26	SClk "High" Time	240			ns
t27	SClk Period	500			ns
t28	SClk to \overline{CS} Hold Time	50			ns
t29	CSB "Inactive" Time	250			ns
t30	Falling Edge of SClk to SDO Valid Time			200	ns
t31	Falling Edge of SClk to SDO Invalid Time			100	ns
t32	Falling Edge of SClk, or rising edge of \overline{CS} to High Z		100		ns

FIGURE 4. TIMING DIAGRAM FOR THE MICROPROCESSOR SERIAL INTERFACE



DC Electrical Characteristics (TA = 25°C, VDD = 3.3 V ± 5 % unless otherwise specified)

PARAMETER	SYMBOL	MIN	TYP	MAX	UNITS
Power Supply Voltage	VDD	3.135	3.3	3.465	V
Input High Voltage	VIH	2.0		5.25	V
Input Low Voltage	V _{IL}	-0.5		0.8	V
Output High Voltage @ IOH=-5mA	VOH	2.4			V
Output Low Voltage @ IOL=5mA	VOL			0.4	V
Supply Current (E3)	I _{cc}		95		mA
Supply Current (DS3)	I _{cc}		110		mA
Supply Current (STS-1)	I _{cc}		125		
Input Leakage Current(except Input pins with Pull-up resistor.	IL			± 10	μA
Input Capacitance	CI		5.0		pF
Output Load Capacitance	C _L			25	pF

DC Electrical Characteristics (TA = 25°C, VDD = 5.0 V ± 5 % unless otherwise specified)

PARAMETER	SYMBOL	MIN	TYP	MAX	UNITS
Power Supply Voltage	VDD	4.75	5.0	5.25	V
Input High Voltage	VIH	2.0		5.25	V
Input Low Voltage	V _{IL}	-0.5		0.8	V
Output High Voltage @ IOH=-5mA	VOH	2.4			V
Output Low Voltage @ IOL=5mA	VOL			0.4	V
Supply Current (E3)	I _{cc}		140		mA
Supply Current (DS3)	I _{cc}		170		mA
Supply Current (STS-1)	I _{cc}		190		
Input Leakage Current(except Input pins with Pull-up resistor.	IL			± 10	μA
Input Capacitance	CI		5.0		pF
Output Load Capacitance	C _L			25	pF

ABSOLUTE MAXIMUM RATINGS:

Supply Range	-0.5 V to + 6.0 V
ESD Rating	> 2000 V on all pins
Operating Temperature	-40°C to +85°C
Storage Temperature	-65°C to + 150°C

SYSTEM DESCRIPTION

The XRT71D04 is an integrated 4-channel E3/DS3/STS-1 jitter attenuator that attenuates the jitter from the input clock and data. The jitter attenuation performance meets the latest specifications such as Bellcore GR-499 CORE, GR-253 CORE, ETSI TBR24, ITU-T G.751, ITU-T G.752 and ITU-T G.755 standards.

The XRT71D04 also meets both the mapping and pointer adjustment jitter generation criteria for both Category I and Category II interfaces as specified in Bellcore GR-253.

The XRT71D04 also meets the DS3 wander specification that apply to SONET and asynchronous interfaces as specified in the ANSI T1.105.03b 1997 standard.

For support of loop-timing applications, the XRT71D04 can also be used to reduce and limit the amount of jitter in the recovered line clock signal.

Figure 5 presents a simple block diagram of the XRT71D04, when it is configured to operate in the Hardware Mode and Figure 6 presents a simple block diagram of the XRT71D04, when it is configured to operate in the Host Mode.

FIGURE 5. A TYPICAL CHANNEL_N OF THE XRT71D04 CONFIGURED TO OPERATE IN THE HARDWARE MODE

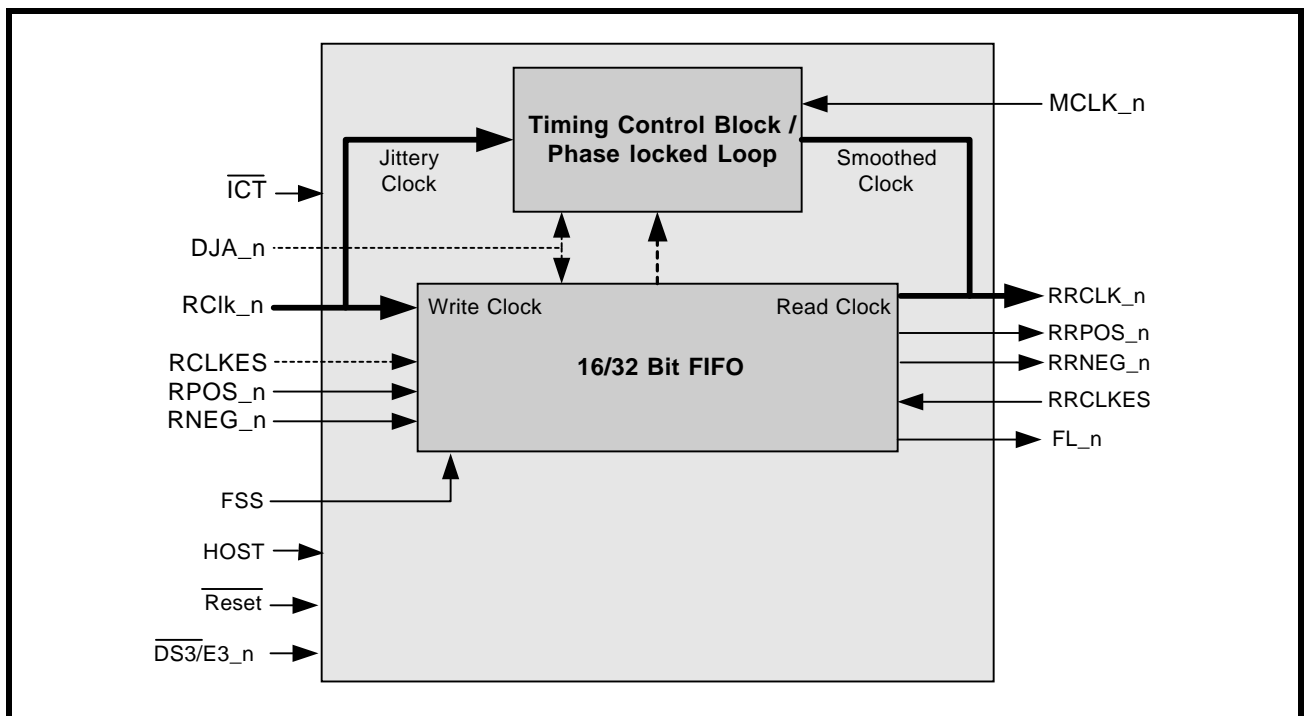
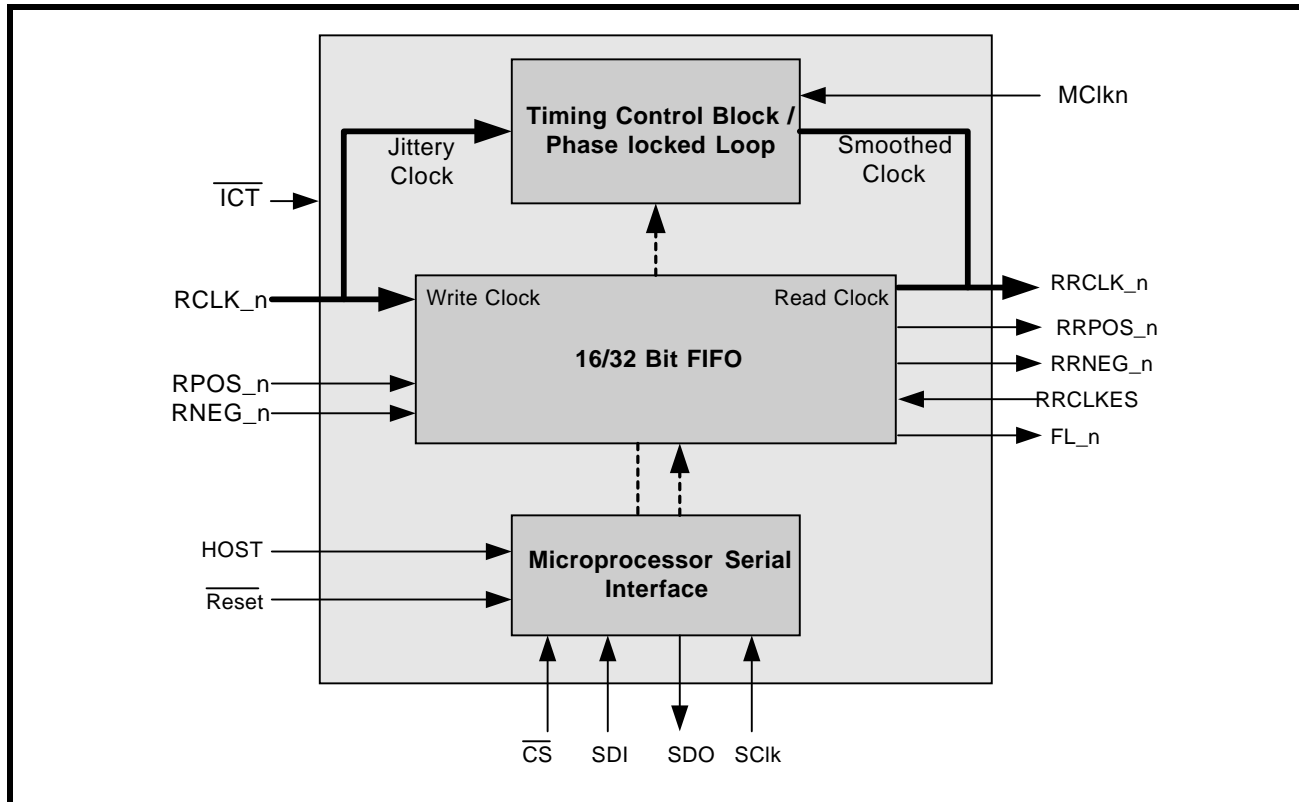


FIGURE 6. A TYPICAL CHANNEL_N OF THE XRT71D04 CONFIGURED TO OPERATE IN THE HOST MODE



The XRT71D04 DS3/E3 Jitter Attenuator IC consists of the following functional blocks:

- The Jitter-Attenuator PLL
- Timing Control Block
- The 2-Channel 16/32 Bit FIFO
- Serial Microprocessor Interface

1.0 JITTER ATTENUATOR PLL

1.1 BACKGROUND INFORMATION

1.1.1 Definition of Jitter

One of the most important and least understood measures of clock performance is jitter. The International Telecommunication Union defines jitter as short term variations of the significant instants of a digital signal from their ideal positions in time. Jitter can occur due to any of the following:

- 1) Imperfect timing recovery circuit in the system

- 2) Cross-talk noise

- 3) Inter-symbol interference/Signal Distortion

1.1.2 SONET STS-1 to DS3 Mapping

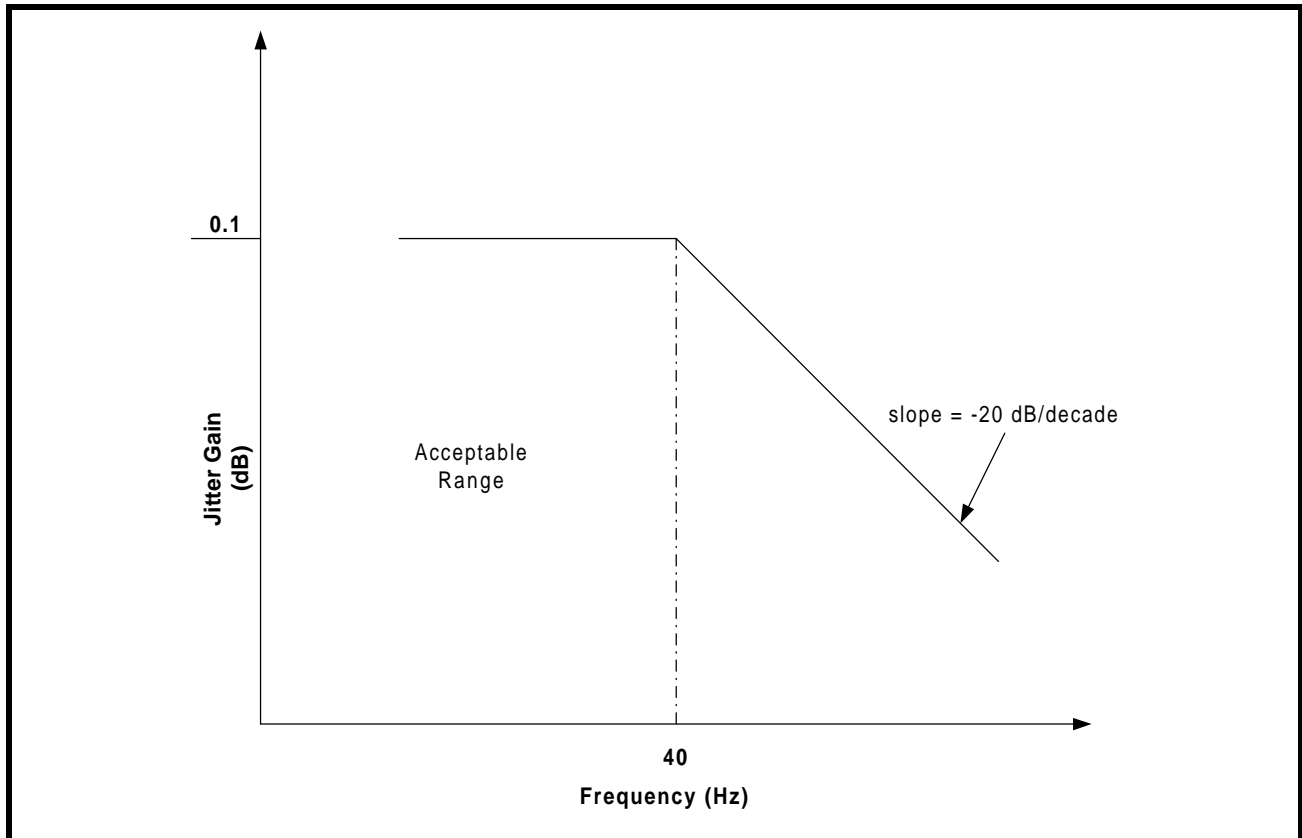
SONET equipment jitter criteria are specified as:

- i) Jitter Transfer
- ii) Jitter Tolerance
- iii) Jitter Generation

1.2 JITTER TRANSFER CHARACTERISTICS

The primary purpose of jitter transfer requirements is to prevent performance degradations by limiting the accumulation of jitter through the system such that it does not exceed the network interface jitter requirements. Thus, it is more important that a system meet the jitter transfer criteria for relatively high input jitter amplitudes. The jitter transferred through the system must be under the jitter mask for any input jitter amplitude within the range as shown in Figure 7

FIGURE 7. CATEGORY 1 DS3 JITTER TRANSFER MASK



1.2.1 Jitter Tolerance

The jitter tolerance in the network element is defined as the maximum amount of jitter in the incoming signal that it can receive in an error-free manner.

1.2.2 Jitter Generation

Jitter generation is defined in Section 7.3.3 of GR-499-CORE. Jitter generation criteria exists for both Category I and II interfaces, which consist of mapping and pointer adjustment jitter generation.

Mapping jitter is the sum of the intrinsic payload mapping jitter and the jitter that is generated as a result of the bit stuffing mechanisms used in all of the asynchronous DS_n mapping into STS SPE.

1.2.3 Jitter Attenuation

A digital Jitter Attenuation loop combined with the FIFO provides Jitter attenuation. The Jitter Attenuator requires no external components except for the reference clock.

Data is clocked into the FIFO with the associated clock signal (TCIk or RCIk) and clocked out of the FIFO with the dejittered clock and data. When the FIFO is within 2 bits of being completely full, the FIFO Limit (FL) will be set.

In Figure 5 and Figure 6, this de-jittered clock is labeled Smoothed Clock. This Smoothed Clock is now used to Read Out the Recovered Data from the 16/32 bit FIFO. This Smoothed Clock will also be output to the Terminal Equipment via the RRClk output pin. Likewise, the Smoothed Recovered Data will output to the Terminal Equipment via the RRPOS and RRNEG output pins.

The XRT71D04 is designed to work as a companion device with XRT73L04 (STS-1/DS3/E3) Line Interface Unit.

ETSI TBR24 specifies the maximum output jitter in loop timing must be no more than 0.4UI_{pp} when measured between 100Hz to 800KHz with upto 1.5UI input jitter at 100Hz. This means a jitter attenuator with bandwidth less than 100Hz is required to be compliant with the standard. ITU G.751 is another application where low bandwidth jitter attenuator is needed to smooth the gapped clock output in the de-multiplexer system.

1.2.4 SONET STS-1 DS3 Mapping

Bellcore GR-253 section 3.4.2 and the ANSI T1.105-199 describes the asynchronous mapping for DS3 into STS-1 SPE.

4 CHANNEL E3/DS3/STS-1 JITTER ATTENUATOR, STS-1 TO DS3 DESYNCHRONIZER

REV. 1.1.1

An asynchronous mapping for DS3 into STS-1 SPE is defined for clear-channel transport of DS3 signals that meet the DSX-3 requirements in the GR-499-CORE.

When the input data has a rate lower than the output data rate, the positive stuffing will occur. The stuffing mechanism that generates the C-bits is implemented in a desynchronizer that has the jitter output less than 0.4 Ulpp assuming no jitter or wander at the input of the synchronizer and no pointer adjustments. A

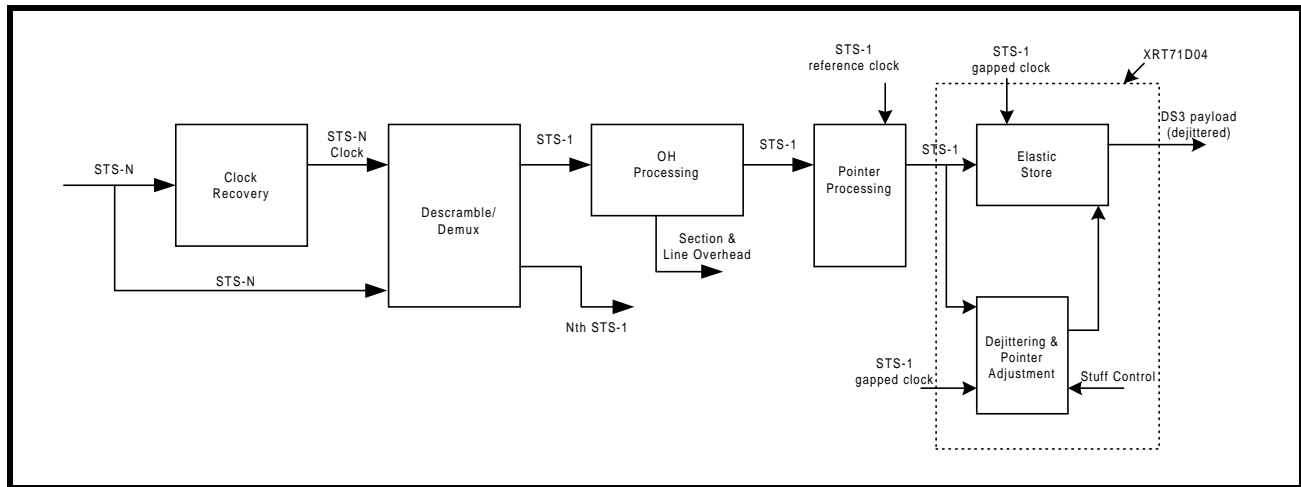
block diagram of the Desynchronizer is shown in Figure 8.

The elastic store accepts the STS-1 data stream and a gapped clock. The gaps in the input clock inhibit the elastic store from writing all but DS3 payload data.

The bit leaking circuit stores incoming STS-1 pointer adjustments into a queue and leaks them out of the desynchronizer one bit at a time.

STS-Nc signal is used to transport higher rate signals. However, the digital signals that SONET carries do not fit in the SPE perfectly.

FIGURE 8. XRT71D04 DESYNCHRONIZER BLOCK DIAGRAM



1.3 XRT71D04 JITTER TRANSFER CHARACTERISTICS Table 2 summarizes the results of jitter tolerance testing, performed on the XRT71D04.

Table 1 summarizes the results of jitter transfer characteristics testing, performed on the XRT71D04.

TABLE 1: XRT71D04 JITTER TRANSFER FUNCTION

APPLICATION	DS3		E3		STS-1	
INPUT JITTER	1UIPP	10UIPP	1UIPP	10UIPP	1UIPP	10UIPP
FREQ. (HZ)	Jitter Gain (dB)		Jitter Gain (dB)		Jitter Gain (dB)	
5	0.02	0.36	0.44	0.83		
10	-0.10	-0.30	-0.15	-0.22		
20	-2.04	-2.24	-3.16	-3.24		
30	-3.63	-4.33	-5.51	-5.93		
40	-5.98	-6.16	-7.68	-7.99		
50	-7.55	-7.82	-10.36	-9.61		
60	-9.57	-9.17	-12.50	-11.27		
80	-12.54	-11.28	-15.20	-13.59		
100	-14.67	-13.36	-16.22	-15.51		
125	-16.67	-14.91	-17.38	-17.07		
150	-17.32	-16.78	-19.45	-18.75		
200	-18.77	-18.96	-20.36	-21.11		
300	-21.43	-21.81	-22.96	-24.46		
500	-22.22	-26.09	-23.78	-28.84		
>1000	-25.42	-33.44	-23.51	-35.77		

TABLE 2: XRT71D04 MAXIMUM JITTER TOLERANCE

APPLICATION	DS3		E3		STS-1	
FIFO SIZE	16	32	16	32	16	32
FREQ. (HZ)	UI (PEAK TO PEAK)		UI (PEAK TO PEAK)		UI (PEAK TO PEAK)	
10	34.313	>64	26.689	53.313		
20	21.439	43.188	18.564	37.438		
30	18.314	36.813	16.689	33.938		
40	16.939	34.313	16.064	32.688		
50	16.314	33.188	15.689	32.063		
60	16.064	32.563	15.564	31.689		
80	15.689	31.814	15.314	31.314		
100	15.439	31.439	15.314	31.189		
125	15.439	31.314	15.189	31.064		
150	15.314	31.189	15.189	31.064		
200	15.314	31.064	15.189	30.939		
300	15.189	30.939	15.064	30.939		
500	15.189	30.939	15.064	30.939		
>1000	15.0189	30.939	15.189	30.939		

2.0 OPERATING MODES

2.1 HARDWARE MODE

The HOST pin is used to select the operating mode of the XRT71D04. In Hardware mode (connect this pin to ground), the serial processor interface is disabled and hard-wired pins are used to control configuration and report status.

2.2 Host Mode:

In Host mode (connect this pin to VDD), the serial port interface pins are used to control configuration and status report. In this mode, serial interface pins : SDI, SDO, SCLK and \overline{CS} are used.

A listing of these Command Registers, their Addresses, and their bit-formats are listed below in Table 4.

TABLE 3: FUNCTIONS OF DUAL MODE PINS IN HARDWARE MODE CONFIGURATION

PIN #	PIN NAME	FUNCTION, WHILE IN THE HARDWARE MODE
25	DJA0/SCLK	DJA0
37	DJA2/ \overline{CS}	DJA2
77	DJA1/(SDI)	DJA1

TABLE 4: ADDRESS AND BIT FORMATS OF THE COMMAND REGISTERS

ADDR	COMMAND REGISTER	TYPE	D7	D6	D5	D4	D3	D2	D1	D0
0X06	CR6	R/W	***	***	STS-1_0	$\overline{DS3}/E3_0$	DJA_0	RRCIKES_0	RCIKES_0	FSS_0
0x07	CR7	RO	***	***	***	***	***	***	***	FL_0
0x0E	CR14	R/W	***	***	STS-1_1	$\overline{DS3}/E3_1$	DJA_1	RRCIKES_1	RCIKES_1	FSS_1
0x0F	CR15	RO	***	***	***	***	***	***	***	FL_1
0x16	CR22	R/W	***	***	STS-1_2	$\overline{DS3}/E3_2$	DJA_2	RRCIKES_2	RCIKES_2	FSS_2
0x17	CR23	RO	***	***	***	***	***	***	***	FL_2
0x1E	CR30	R/W	***	***	STS-1_3	$\overline{DS3}/E3_3$	DJA_3	RRCIKES_3	RCLKES_3	FSS_3
0x1F	CR31	RO	***	***	***	***	***	***	***	FL_3

3.0 MICROPROCESSOR SERIAL INTERFACE

The serial interface for the XRT71D04 and the XRT73L00 family of E3/DS3/STS-1 LIU's are the same, which makes it easy to configure both the XRT71D04 and the LIU with a single \overline{CS} , SDI, SDO and SClk input and output pins.

3.1 SERIAL INTERFACE OPERATION.

Serial interface data structure and timings are provided in Figure 5 and 6 respectively.

The clock signal is provided to the SClk and the CS is asserted for 50 ns prior to the first rising edge of the SClk.

3.1.1 Bit 1—R/W (Read/Write) Bit

This bit will be clocked into the SDI input, on the first rising edge of SClk (after \overline{CS} has been asserted). This bit indicates whether the current operation is a Read or Write operation. A “1” in this bit specifies a Read operation; whereas, a “0” in this bit specifies a Write operation.

3.1.2 Bits 2 through 6—A0, A1, A2 ,A3, and A4

The five (5) bit Address Values.

The next five rising edges of the SClk signal will clock in the 5-bit address value for this particular Read (or Write) operation. The address selects the Command Register for reading data from, or writing data to. The address bits to the SDI input pin is applied in ascending order with the LSB (least significant bit) first.

3.1.3 Bit 7—A5

A5 must be set to “0”, as shown in Figure 9.

3.1.4 Bit 8—A6

The value of A6 is a don't care.

Once these first 8 bits have been written into the Serial Interface, the subsequent action depends upon whether the current operation is a Read or Write operation.

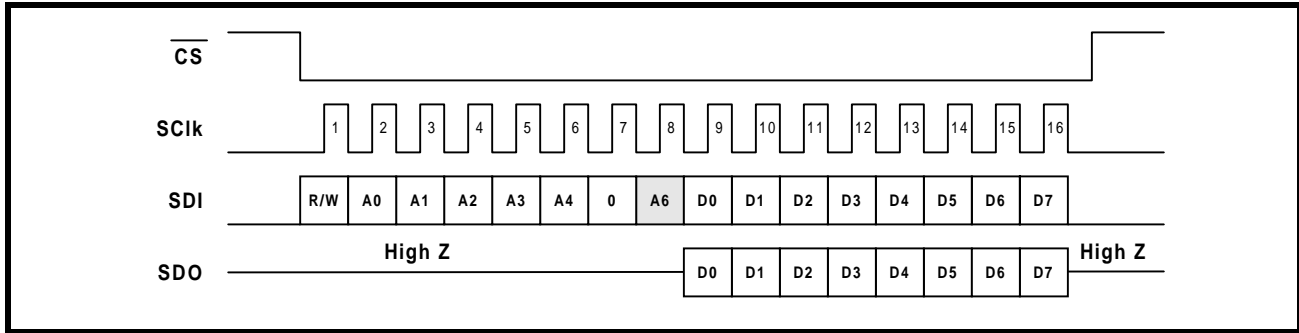
3.1.5 Read Operation

Once the last address bit (A4) has been clocked into the SDI input, the Read operation will proceed through an idle period, lasting three SClk periods. On the falling edge of SClk Cycle #8 (see Figure 9) the serial data output signal (SDO) becomes active. At this point the user can begin reading the data contents of the addressed Command Register (at Address [A4,A3, A2, A1, A0]) via the SDO output pin. The Serial Interface will output this eight bit data word (D0 through D7) in ascending order (with the LSB first), on the falling edges of the SClk . The data (on the SDO output pin) is stable for reading on the very next rising edge of the SClk .

3.1.6 Write Operation

Once the last address bit (A4) has been clocked into the SDI input, the Write operation will proceed through an idle period, lasting three SClk periods. Prior to the rising edge of SClk Cycle #9 , the eight bit data word is applied to SDI input. Data on SDI is latched on the rising edge of SClk.

FIGURE 9. MICROPROCESSOR SERIAL INTERFACE DATA STRUCTURE



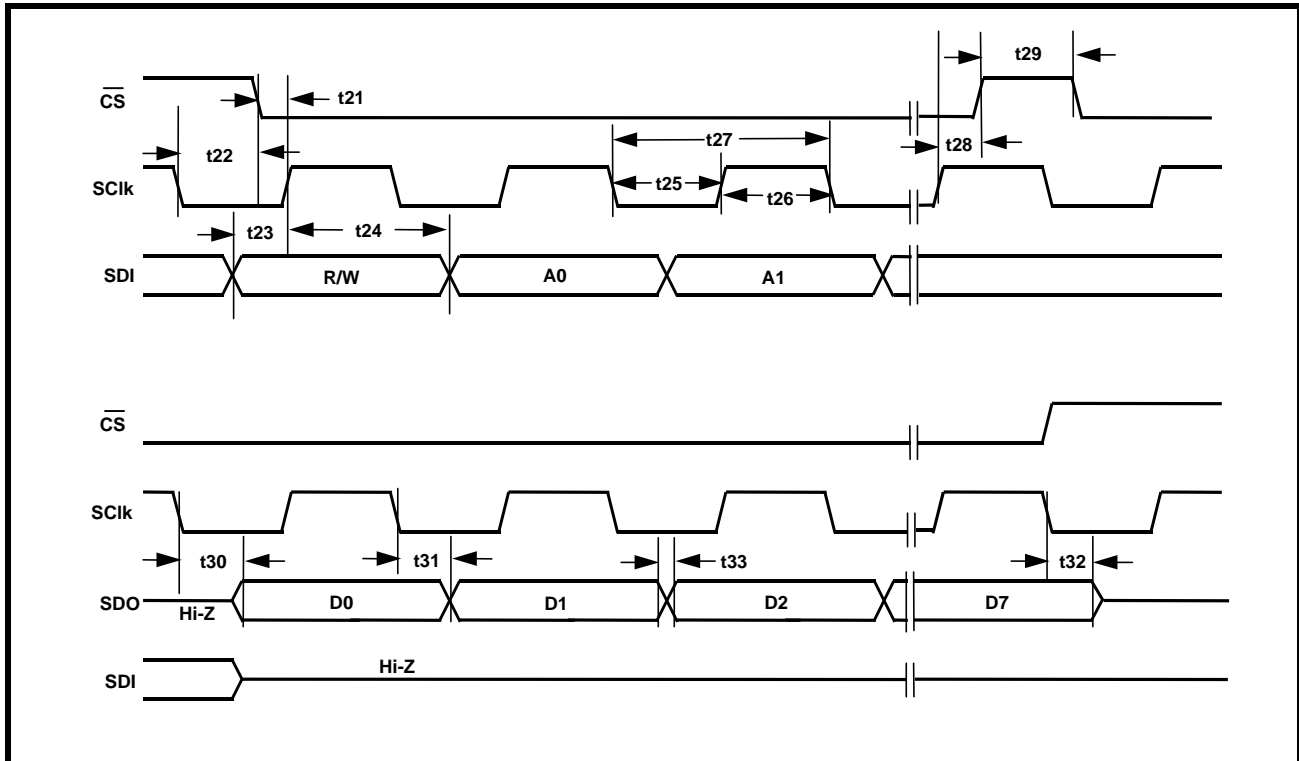
NOTES:

1. A5 is always "0".
2. R/W = "1" for Read Operations
3. R/W = "0" for Write Operations
4. Denotes a "don't care" value (shaded areas)

3.1.7 Simplified Interface Option

The user can simplify the design of the circuitry connecting to the Microprocessor Serial Interface by tying both the SDO and SDI pins together, and reading data from and/or writing data to this combined signal. This simplification is possible because only one of these signals are active at any given time. The inactive signal will be tri-stated.

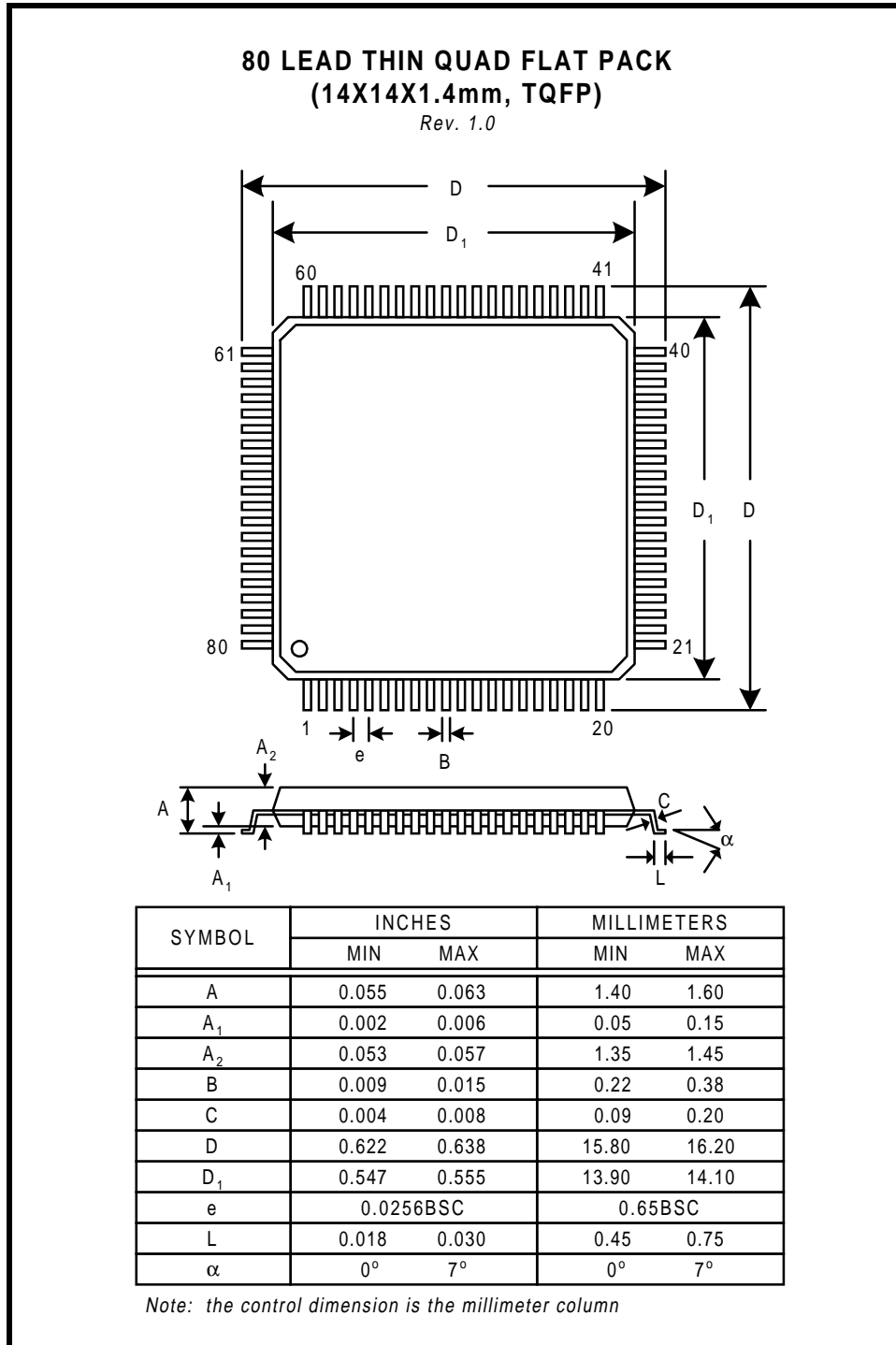
FIGURE 10. TIMING DIAGRAM FOR THE MICROPROCESSOR SERIAL INTERFACE



ORDERING INFORMATION

PART #	PACKAGE	OPERATING TEMPERATURE RANGE
XRT71D04IV	80 Pin TQFP	-40°C to +85°C
THERMAL INFORMATION	Theta - J _A = ° C/W	Theta J _C = ° C/W

PACKAGE DIMENSIONS



REVISION HISTORY

Rev. P1.0.1; Revised pull-up/pull-down resistors on various pins.

Rev. P1.0.2; Corrected block diagram and made minor edits.

Rev. P1.0.3 Modified pin list and figures to reflect channel designation by _n (example; MCLK0 to MCLK_0). Changed from VSS to GND.

Rev. 1.1.0: Remved Preliminary designation. Added electrical characteristics tables.

Rev. 1.1.1: Corrected Table 4 adding RRCIkES_n as data D2, STS-1_n as D5, added D7. Corrected the description of the section 3 Serial Microprocessor Interface. Moved figure 9 into Electrical Characteristics Section. Moved Jitter Transfer/Tolerance tables into Jitter Attenuator Section 1.

NOTICE

EXAR Corporation reserves the right to make changes to the products contained in this publication in order to improve design, performance or reliability. EXAR Corporation assumes no responsibility for the use of any circuits described herein, conveys no license under any patent or other right, and makes no representation that the circuits are free of patent infringement. Charts and schedules contained here in are only for illustration purposes and may vary depending upon a user's specific application. While the information in this publication has been carefully checked; no responsibility, however, is assumed for inaccuracies.

EXAR Corporation does not recommend the use of any of its products in life support applications where the failure or malfunction of the product can reasonably be expected to cause failure of the life support system or to significantly affect its safety or effectiveness. Products are not authorized for use in such applications unless EXAR Corporation receives, in writing, assurances to its satisfaction that: (a) the risk of injury or damage has been minimized; (b) the user assumes all such risks; (c) potential liability of EXAR Corporation is adequately protected under the circumstances.

Copyright 2001 EXAR Corporation

Datasheet April 2001.

Reproduction, in part or whole, without the prior written consent of EXAR Corporation is prohibited.

Looking for pricing, stock, or lifecycle information?

Click below to explore more details on WIN SOURCE:

 [View XRT71D04IV](#) on WIN SOURCE

 [Exar Corporation](#) Information

Optimize Your Supply Chain with WIN SOURCE Solutions

-  Global Sourcing Solution
-  Obsolete Management
-  Cost Control Management
-  Shortage Management
-  Alternative Solution
-  Excess Inventory Management