

# AN1431T, AN1431M

## Variable output shunt regulator

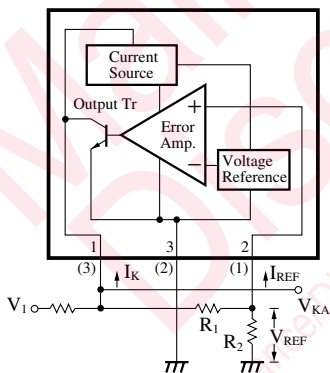
### Overview

The AN1431T and AN1431M are highly accurate stabilized power supplies in which the output voltage can be adjusted in the range from approximately 2.5 to 36V under the operating temperature by using the external resistor. Because of its fast rising characteristic, it can be used as a Zener diode and has the wide application.

### Features

- High precision reference voltage: 2.5V (allowance:  $\pm 2\%$ )
- High temperature stability: 17ppm/°C typ.
- Output voltage externally adjustable: 2.5 to 36V
- Fast rising output
- Low input impedance: 0.2Ω typ.
- Low output noise voltage

### Block Diagram (AN1431T)



Note) The number in ( ) shows the pin number for the AN1431M.

$$V_{KA} = V_{REF} \left(1 + \frac{R_1}{R_2}\right) + I_{REF} \cdot R_1$$

$$R_2 = 2.5k\Omega$$

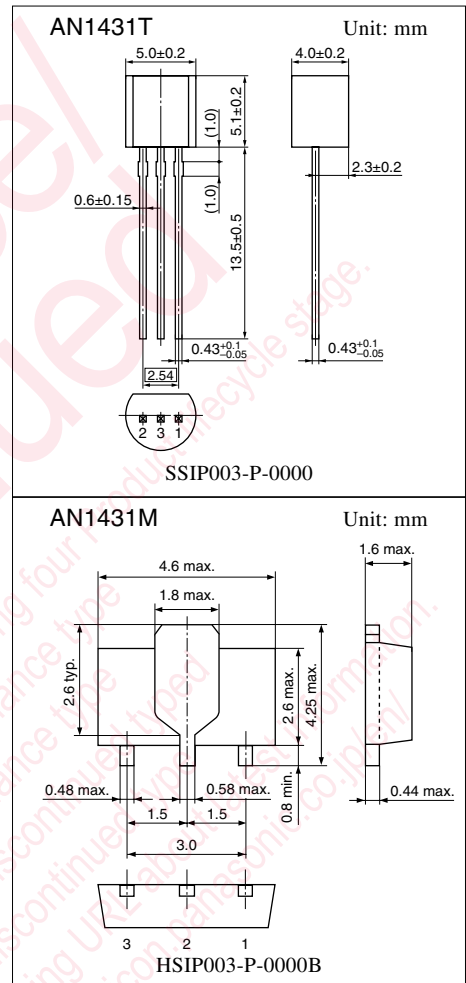
### Pin Descriptions

#### • AN1431T

Pin No.	Description
1	Cathode
2	Reference pin
3	Anode

#### • AN1431M

Pin No.	Description
1	Reference pin
2	Anode
3	Cathode



Note) The packages (SSIP003-P-0000 and HSIP003-P-0000B) of this product will be changed to lead-free type (SSIP003-P-0000S and HSIP003-P-0000Q). See the new package dimensions section later of this datasheet.

### ■ Absolute Maximum Ratings at $T_a = 25^\circ\text{C}$

Parameter		Symbol	Rating	Unit
Supply voltage		$V_{CC}$	37	V
Supply current		$I_{CC}$	-100 to +150	mA
Power dissipation		$P_D$	650 *	mW
Reference input current		$I_{REF}$	-0.05 to +10	mA
Operating ambient temperature	AN1431T	$T_{opr}$	-20 to +85	°C
	AN1431M		-25 to +80	
Storage temperature	AN1431T	$T_{stg}$	-55 to +150	°C
	AN1431M		-55 to +125	

\* AN1431M is mounted on a standard board (glass epoxy: 20mm × 20mm × t1.7mm with Cu foil of 1cm<sup>2</sup> or more).

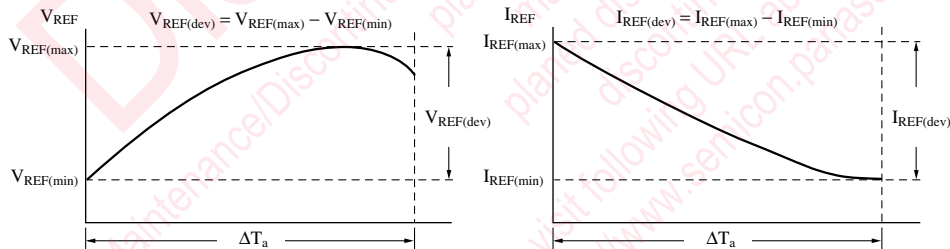
### ■ Recommended Operating Range at $T_a = 25^\circ\text{C}$

Parameter	Symbol	Range
Supply voltage	$V_{KA}$	$V_{REF}$ (2.5 to 36V)

### ■ Electrical Characteristics at $T_a = 25^\circ\text{C}$

Parameter	Symbol	Conditions	Min	Typ	Max	Unit
Reference voltage	$V_{REF}$	$V_{KA} = V_{REF}$ , $I_K = 10\text{mA}$	2.45	2.50	2.55	V
Reference voltage change to temperature	$V_{REF(dev)}$ *1, 2	$V_{KA} = V_{REF}$ , $I_K = 10\text{mA}$ , $T_a = 0$ to $+70^\circ\text{C}$	—	3	17	mV
Reference voltage power supply characteristic	$\Delta V_{REF}$	$I_K = 10\text{mA}$ , $\Delta V_{KA} = 10\text{V}$ to $V_{REF}$	—	-1.2	-2.7	mV/V
	$\Delta V_{KA}$	$I_K = 10\text{mA}$ , $\Delta V_{KA} = 36\text{V}$ to $10\text{V}$	—	-1	-2	mV/V
Reference input current	$I_{REF}$	$I_K = 10\text{mA}$ , $R_1 = 10\text{k}\Omega$ , $R_2 = \infty$	—	2	4	$\mu\text{A}$
Reference input current change to temperature	$I_{REF(dev)}$ *2	$I_K = 10\text{mA}$ , $R_1 = 10\text{k}\Omega$ , $R_2 = \infty$ , $T_a = 0$ to $+70^\circ\text{C}$	—	0.4	1.2	$\mu\text{A}$
Minimum cathode current	$I_{min}$	$V_{KA} = V_{REF}$	—	0.4	1.0	mA
Off-state cathode current	$I_{OFF}$	$V_{KA} = 36\text{V}$ , $V_{REF} = 0\text{V}$	—	0.1	1.0	$\mu\text{A}$
Dynamic impedance	$ Z_{KA} $ *3	$V_{KA} = V_{REF}$ , $I_K = 1$ to $100\text{mA}$ , $f \leq 1\text{kHz}$	—	0.2	0.5	$\Omega$

\*1



The temperature coefficient  $aV_{REF}$  for the reference input voltage is equivalently given by the following expression.

$$|aV_{REF}| = \frac{V_{REF(dev)}}{V_{REF}^2} \times 10^6 \text{ (ppm/}^\circ\text{C)} \quad \dagger V_{REF} \text{ at } T_a = 25^\circ\text{C}$$

For example, assuming  $V_{REF(max)} = 2500\text{mV}$  ( $T_a = 30^\circ\text{C}$ ),  $V_{REF(min)} = 2497\text{mV}$  ( $T_a = 0^\circ\text{C}$ ), ( $V_{REF(dev)} = 3\text{mV}$ ) and

$$V_{REF} = 2499\text{mV} \quad (T_a = 25^\circ\text{C}) \quad \Delta T_a = 70^\circ\text{C}$$

$$\text{then, } |aV_{REF}| = \frac{3\text{mV}}{2499\text{mV}} \times 10^6 = 17.1 \text{ (ppm/}^\circ\text{C)}$$

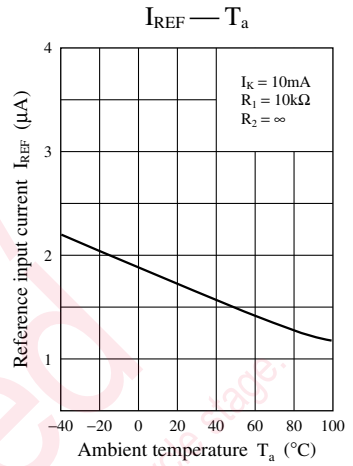
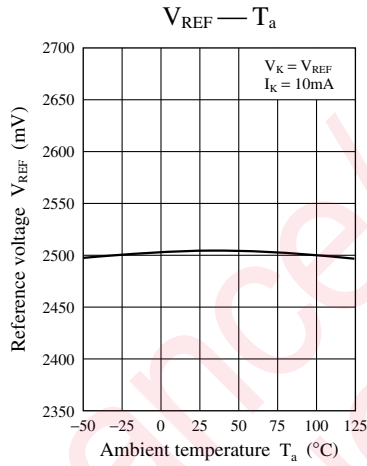
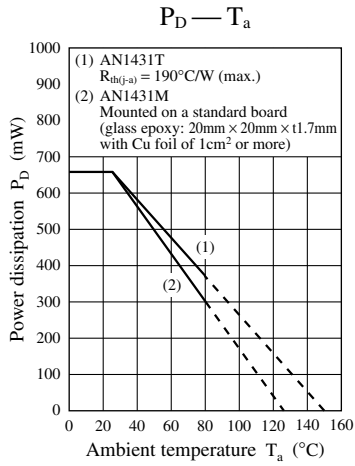
\*2 These values are design reference values, not guaranteed ones.

\*3 The dynamic impedance is defined by the following expression.  $|Z_{KA}| = \frac{\Delta V_{KA}}{\Delta I_K}$

The total dynamic impedance at  $\Delta V_{REF}$ ,  $\Delta V_{KA}$ ,  $I_{REF}$  and  $I_{REF(dev)}$  is as follows.

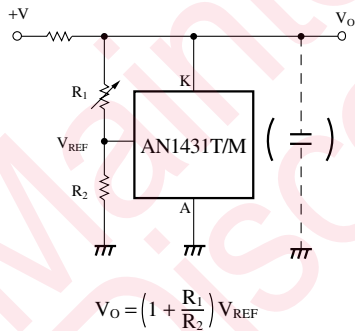
$$|Z| = \frac{\Delta V}{\Delta I} = |Z_{KA}| \left(1 + \frac{R_1}{R_2}\right)$$

■ Main Characteristics

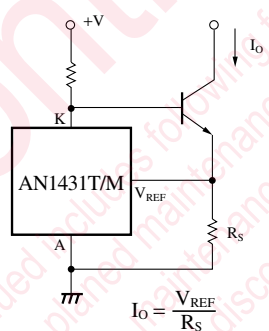


■ Application Circuit Examples

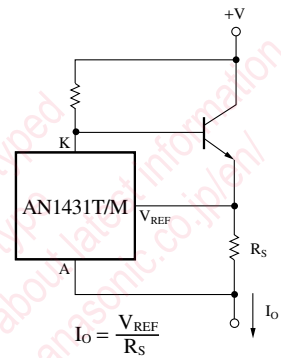
1. Shunt regulator



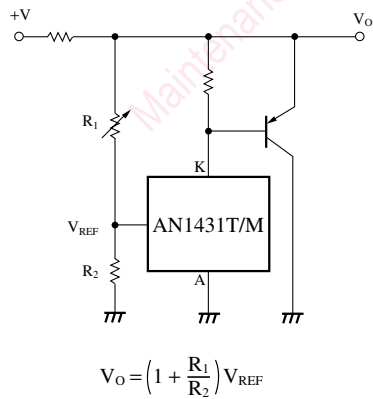
2. Constant current power supply



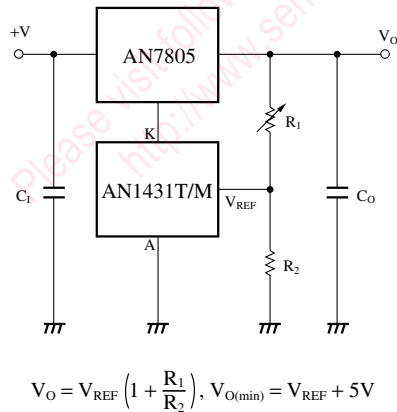
3. Constant current source



4. Current bootstrap

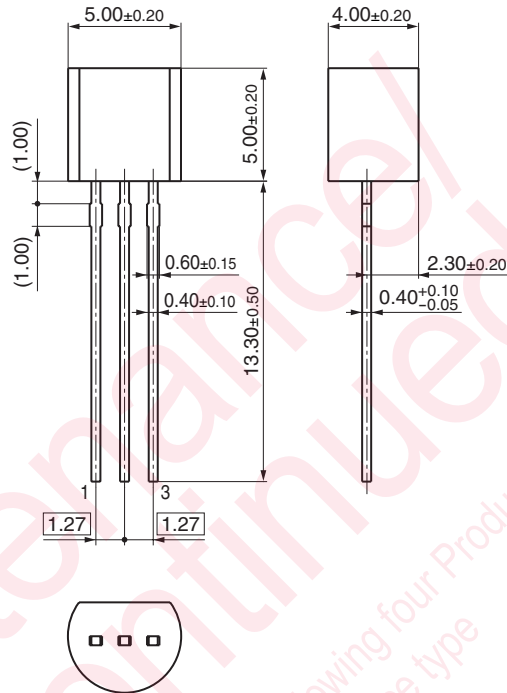


5. Adjustable output regulator combined with 3-pin regulator

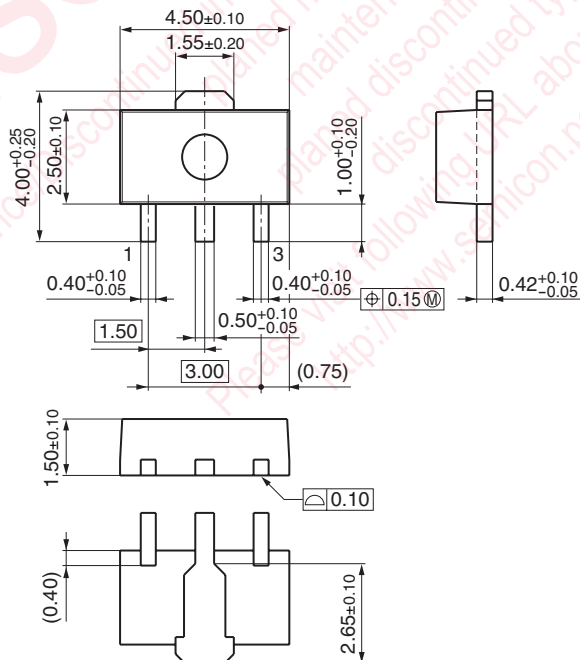


■ New Package Dimensions (Unit: mm)

- SSIP003-P-0000S (Lead-free package)



- HSIP003-P-0000Q (Lead-free package)



## utions in using the technical information and scribed in this book

s book is to be exported or provided to non-residents, the laws and  
rd to security export control, must be observed.

ly to show the main characteristics and application circuit examples  
l property right or other right owned by our company or any other  
any as to the infringement upon any such right owned by any other  
rmation described in this book.

standard applications or general electronic equipment (such as office  
and household appliances).

ng applications:

biles, traffic control equipment, combustion equipment, life support  
reliability are required, or if the failure or malfunction of the prod-

ck are subject to change without notice for modification and/or im-  
use of the products, therefore, ask for the most up-to-date Product  
atisfy your requirements.

bsolute maximum rating and the guaranteed operating conditions  
(.). Especially, please be careful not to exceed the range of absolute  
er-off and mode-switching. Otherwise, we will not be liable for any

take into the consideration of incidence of break down and failure  
n the systems such as redundant design, arresting the spread of fire  
al injury, fire, social damages, for example, by using the products.

own and characteristics change due to external factors (ESD, EOS,  
mounting or at customer's process. When using products for which  
shelf life and the elapsed time since first opening the packages.

ly or partially, without the prior written permission of Matsushita







## Looking for pricing, stock, or lifecycle information?

Click below to explore more details on WIN SOURCE:

 [View AN1431M on WIN SOURCE](#)

 [Panasonic Information](#)

## Optimize Your Supply Chain with WIN SOURCE Solutions

-  Global Sourcing Solution
-  Obsolete Management
-  Cost Control Management
-  Shortage Management
-  Alternative Solution
-  Excess Inventory Management