



THE DATASHEET OF
3C92C



Hi-Reliability Optically Coupled Isolator

3C91C, 3C92C (TX), 3N243, 3N244, 3N245 (TX), 3N262



Features:

- TO-72 hermetically sealed package
- 1 kVDC electrical isolation
- High current transfer ratio
- TX devices processed to MIL-PRF-19500

Description:

Each device is a high reliability optically coupled isolator that consists of an infrared emitting diode and a NPN silicon phototransistor which are mounted in a hermetically sealed TO-72 package. The **3C91C** and **3C92C** have a 935 nm wavelength, whereas the **3N243**, **3N244**, **3N245** and **3N262** have an 880 nm wavelength. All devices have 0.50" (12.70 mm) leads. Electrical characteristics vary.

TX devices are processed to OPTEK's military screening program patterned after MIL-PRF-19500.

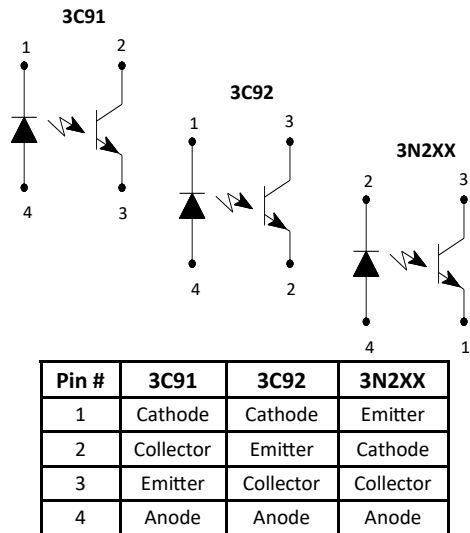
Please refer to Application Bulletins 208 and 210 for additional design information and reliability (degradation) data.

Contact your local representative or OPTEK for more information.

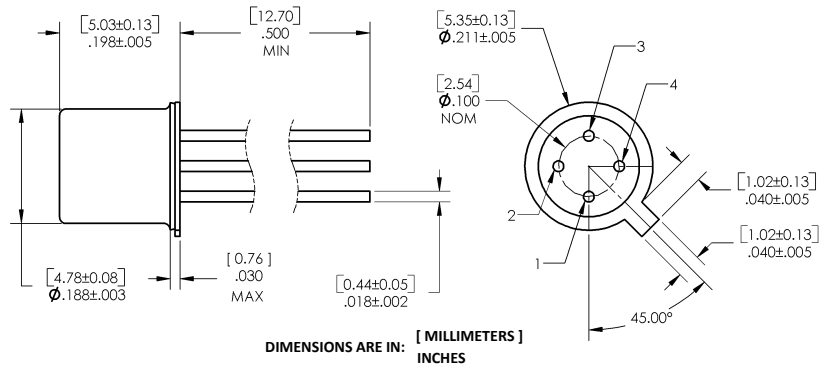
Applications:

- High-voltage isolation between input and output
- Electrical isolation in dirty environments
- Industrial equipment
- Medical equipment
- Office equipment

Part Number	LED Peak Wavelength	Sensor	Isolation Voltage (,000)	CTR Min / Max	I _F (mA) Typ / Max	V _{CE} (V) Typ / Max	Lead Length
3C91C	935 nm	Transistor	1	0.3 / 2.0	10 / 50	10 / 50	0.50"
3C92C (TX)				0.15 / NA	3 / 40	10 / 30	
3N243	0.3 / NA						
3N244	0.6 / NA						
3N245 (TX)	880 nm			1.0 / 5.0	1 / 40	5 / 30	
3N262							



Phototransistor Collector is connected to the Header-Base-Case for ALL versions



General Note

TT Electronics reserves the right to make changes in product specification without notice or liability. All information is subject to TT Electronics' own data and is considered accurate at time of going to print.

TT Electronics | OPTEK Technology
2900 E. Plano Pkwy, Plano, TX 75074 | Ph: +1 972 323 2200
www.ttelectronics.com | sensors@ttelectronics.com

Hi-Reliability Optically Coupled Isolator

3C91C, 3C92C (TX), 3N243, 3N244, 3N245 (TX), 3N262



Electrical Specifications

Absolute Maximum Ratings ($T_A = 25^\circ\text{C}$ unless otherwise noted)

Operating Temperature Range	-55° C to +125° C
Storage Temperature Range	-65° C to +150° C
Input to Output Isolation Voltage	$\pm 1\text{ kVDC}^{(1)}$
Lead Soldering Temperature [1/16 inch (1.6 mm) from case for 5 seconds with soldering iron]	260° C ⁽²⁾

Input Diode

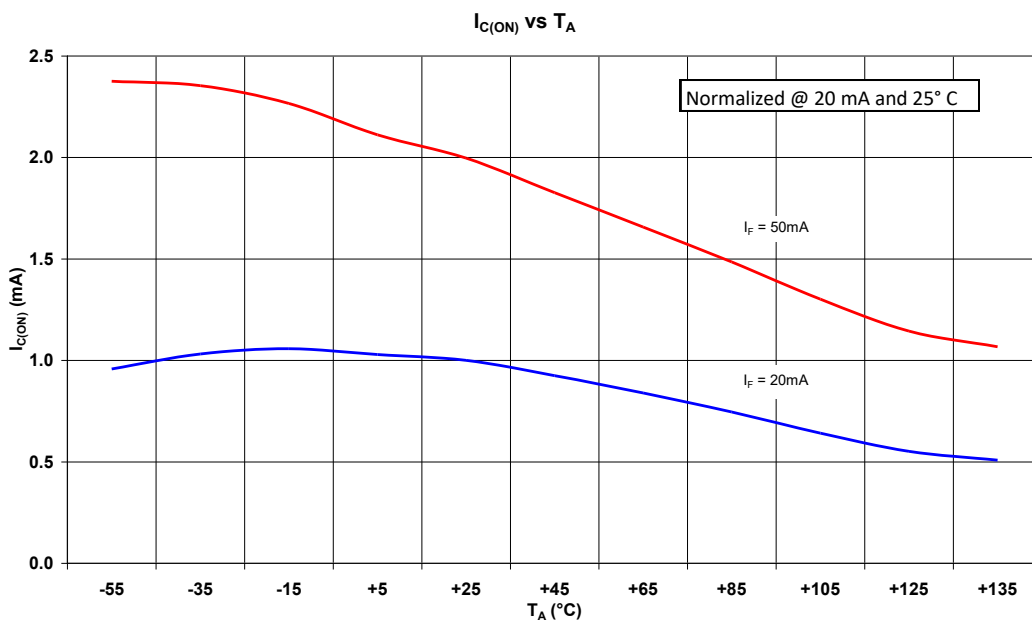
Forward DC Current	40 mA
Reverse Voltage	2.0 V
Power Dissipation	60 mW ⁽³⁾

Output Phototransistor

Continuous Collector Current	30 mA
Collector-Emitter Voltage	30 V
Emitter-Collector Voltage	5.0 V
Power Dissipation	200 mW ⁽⁴⁾

Notes:

1. Measured with input leads shorted together and output leads shorted together.
2. RMA flux is recommended. Duration can be extended to 10 seconds maximum when flow soldering.
3. Derate linearly 2.0 mW/° C above 25° C.
4. Derate linearly 0.60 mW/° C above 65° C.



General Note

TT Electronics reserves the right to make changes in product specification without notice or liability. All information is subject to TT Electronics' own data and is considered accurate at time of going to print.

TT Electronics | OPTeK Technology
2900 E. Plano Pkwy, Plano, TX 75074 | Ph: +1 972 323 2200
www.ttelectronics.com | sensors@ttelectronics.com

Hi-Reliability Optically Coupled Isolator

3C91C, 3C92C (TX), 3N243, 3N244, 3N245 (TX), 3N262



Electrical Specifications

Electrical Characteristics ($T_A = 25^\circ\text{C}$ unless otherwise noted)

SYMBOL	PARAMETER	MIN	TYP	MAX	UNITS	TEST CONDITIONS
Input Diode						
V_F	Forward Voltage 3C91C, 3C92C (TX)	-	-	1.2	V	$I_F = 2\text{ mA}$
	3C91C, 3C92C (TX)	-	-	1.5		$I_F = 50\text{ mA}$
	3N243, 3N244, 3N245 (TX)	0.8	-	1.3		$I_F = 10\text{ mA}$
	3N243, 3N244, 3N245 (TX)	1.0	-	1.5		$I_F = 10\text{ mA}, T_A = -55^\circ\text{C}$
	3N243, 3N244, 3N245 (TX)	0.7	-	1.2		$I_F = 10\text{ mA}, T_A = -100^\circ\text{C}$
	3N262	0.8	-	1.5		$I_F = 10\text{ mA}$
	3N262	1.0	-	1.7		$I_F = 10\text{ mA}, T_A = -55^\circ\text{C}$
3N262	0.7	-	1.3	$I_F = 10\text{ mA}, T_A = -100^\circ\text{C}$		
V_R	Reverse Voltage 3C91C, 3C92C (TX)	7	-	-	V	$I_R = 0.1\text{ mA}$
I_R	Reverse Current 3C91C, 3C92C (TX)	-	-	1	μA	$V_R = 3.0\text{ V}$
	3N243, 3N244, 3N245 (TX)	-	-	100		$V_R = 2.0\text{ V}$
	3N262	-	-	100		$V_R = 2.0\text{ V}$
C_{IN}	Diode Capacitance 3C91C, 3C92C (TX)	-	25	-	pF	$V = 0, f = 1\text{ MHz}$

Output Phototransistor

$V_{(BR)CEO}$	Collector-Emitter Breakdown Voltage 3C91C, 3C92C (TX)	50	-	-	V	$I_C = 10.0\text{ mA}$
	3N243, 3N244, 3N245 (TX)	30	-	-		$I_C = 1.0\text{ mA}$
	3N262	40	-	-		$I_C = 1.0\text{ mA}$
$V_{(BR)ECO}$	Emitter-Collector Breakdown Voltage 3C91C, 3C92C (TX)	7	-	-	V	$I_C = 10\text{ }\mu\text{A}$
	3N243, 3N244, 3N245 (TX)	5	-	-		$I_E = 100\text{ }\mu\text{A}$
	3N262	7	-	-		$I_E = 100\text{ }\mu\text{A}$
I_{CEO}	Collector Dark Current 3C91C, 3C92C (TX)	-	-	10	nA	$V_{CE} = 5\text{ V}$
	3C91C, 3C92C (TX)	-	-	50	nA	$V_{CE} = 50\text{ V}$
	3N243, 3N244, 3N245 (TX)	-	-	100	nA	$V_{CE} = 10.0\text{ V}$
	3N243, 3N244, 3N245 (TX)	-	-	100	μA	$V_{CE} = 10.0\text{ V}, T_A = 100^\circ\text{C}$
	3N262	-	-	100	μA	$V_{CE} = 10.0\text{ V}$
	3N262	-	-	100	μA	$V_{CE} = 10.0\text{ V}, T_A = 100^\circ\text{C}$

General Note

TT Electronics reserves the right to make changes in product specification without notice or liability. All information is subject to TT Electronics' own data and is considered accurate at time of going to print.

TT Electronics | OPTEK Technology
2900 E. Plano Pkwy, Plano, TX 75074 | Ph: +1 972 323 2200
www.ttelectronics.com | sensors@ttelectronics.com

Hi-Reliability Optically Coupled Isolator

3C91C, 3C92C (TX), 3N243, 3N244, 3N245 (TX), 3N262



Electrical Specifications

Electrical Characteristics ($T_A = 25^\circ\text{C}$ unless otherwise noted)

SYMBOL	PARAMETER	MIN	TYP	MAX	UNITS	TEST CONDITIONS
Coupled						
$I_{C(ON)}$	On-State Collector Current					
	3C91C, 3C92C (TX)	4.0	-	-		$I_F = 10\text{ mA}, V_{CE} = 5\text{ V}$
	3C91C, 3C92C (TX)	3.0	-	20		$I_F = 10\text{ mA}, V_{CE} = 0.4\text{ V}$
	3N243	1.5	-	-		$I_F = 10\text{ mA}, V_{CE} = 10.0\text{ V}$
	3N243	0.3	-	-		$I_F = 3\text{ mA}, V_{CE} = 10.0\text{ V}$
	3N243	0.5	-	-		$I_F = 10\text{ mA}, V_{CE} = 10.0\text{ V}, T_A = 55^\circ\text{C}$
	3N243	0.5	-	-		$I_F = 10\text{ mA}, V_{CE} = 10.0\text{ V}, T_A = 100^\circ\text{C}$
	3N244	3.0	-	-		$I_F = 10\text{ mA}, V_{CE} = 10.0\text{ V}$
	3N244	0.8	-	-		$I_F = 3\text{ mA}, V_{CE} = 10.0\text{ V}$
	3N244	1.0	-	-		$I_F = 10\text{ mA}, V_{CE} = 10.0\text{ V}, T_A = 55^\circ\text{C}$
	3N244	1.0	-	-		$I_F = 10\text{ mA}, V_{CE} = 10.0\text{ V}, T_A = 100^\circ\text{C}$
	3N245 (TX)	6.0	-	-		$I_F = 10\text{ mA}, V_{CE} = 10.0\text{ V}$
	3N245 (TX)	1.5	-	-		$I_F = 3\text{ mA}, V_{CE} = 10.0\text{ V}$
	3N245 (TX)	1.5	-	-		$I_F = 10\text{ mA}, V_{CE} = 10.0\text{ V}, T_A = 55^\circ\text{C}$
	3N245 (TX)	1.5	-	-		$I_F = 10\text{ mA}, V_{CE} = 10.0\text{ V}, T_A = 100^\circ$
3N262	1.0	-	5		$I_F = 1\text{ mA}, V_{CE} = 5.0\text{ V}$	
3N262	1.4	-	-		$I_F = 2.0\text{ mA}, V_{CE} = 5.0\text{ V}, T_A = 55^\circ\text{C}$	
3N262	1.0	-	-		$I_F = 2.0\text{ mA}, V_{CE} = 5.0\text{ V}, T_A = 100^\circ\text{C}$	
$V_{CE(SAT)}$	Collector-Emitter Saturation Voltage					
	3C91C, 3C92C (TX)	-	-	0.4		$I_F = 50\text{ mA}, I_C = 10\text{ mA}$
	3N243, 3N244, 3N245 (TX)	-	-	0.3		$I_F = 20\text{ mA}, I_C = 1.50\text{ mA}$
	3N243, 3N244, 3N245 (TX)	-	-	0.3		$I_F = 20\text{ mA}, I_C = 3.0\text{ mA}$
	3N243, 3N244, 3N245 (TX)	-	-	0.3		$I_F = 20\text{ mA}, I_C = 6.0\text{ mA}$
	3N262	-	-	0.3		$I_F = 2.0\text{ mA}, I_C = 0.50\text{ mA}$
	3N262	-	-	0.3		$I_F = 2.0\text{ mA}, I_C = 1.0\text{ mA}$
3N262	-	-	0.3		$I_F = 2.0\text{ mA}, I_C = 2.0\text{ mA}$	
t_{ON}	Turn-on Time 3C91C, 3C92C (TX)	-	-	9	μs	$V_{CC} = 5\text{ V}, I_C = 2\text{ mA}, R_L = 100\ \Omega$
t_{OFF}	Turn-off Time 3C91C, 3C92C (TX)	-	-	6	μs	$V_{CC} = 5\text{ V}, I_C = 2\text{ mA}, R_L = 100\ \Omega$

General Note

TT Electronics reserves the right to make changes in product specification without notice or liability. All information is subject to TT Electronics' own data and is considered accurate at time of going to print.

TT Electronics | OPTEK Technology
2900 E. Plano Pkwy, Plano, TX 75074 | Ph: +1 972 323 2200
www.ttelectronics.com | sensors@ttelectronics.com

Hi-Reliability Optically Coupled Isolator

3C91C, 3C92C (TX), 3N243, 3N244, 3N245 (TX), 3N262



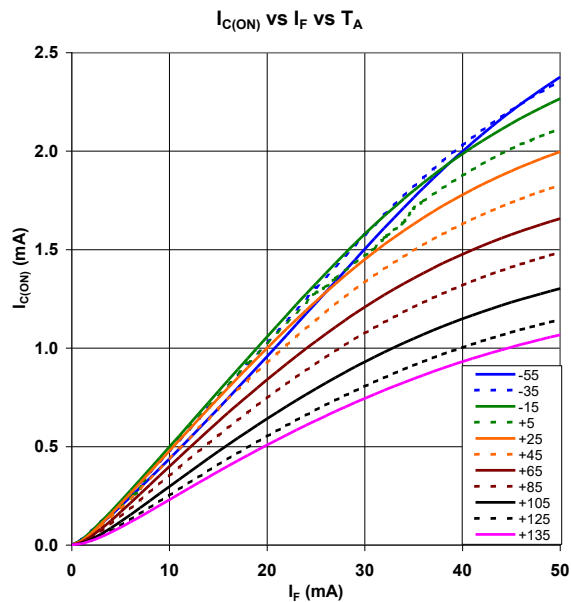
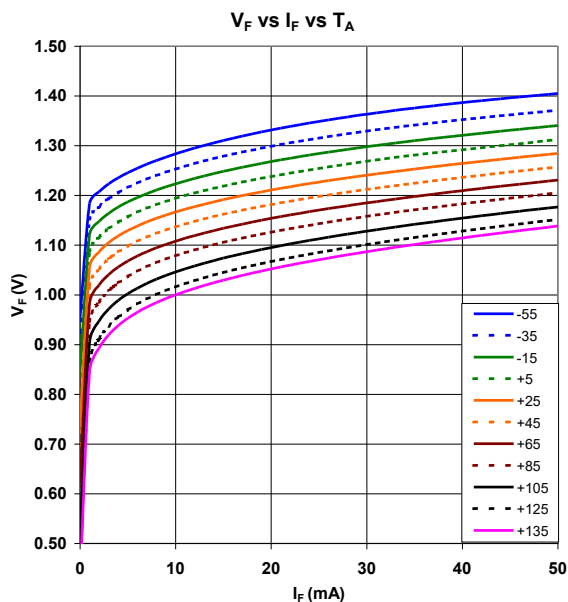
Electrical Specifications

Electrical Characteristics ($T_A = 25^\circ\text{C}$ unless otherwise noted)

SYMBOL	PARAMETER	MIN	TYP	MAX	UNITS	TEST CONDITIONS
Coupled						
C_{IO}	Input-to-Output Capacitance 3C91C, 3C92C (TX) 3N243, 3N244, 3N245 (TX) 3N262	-	2	2.5 5.0 5.0	pF	$f = 1\text{ MHz}$ $V_{IO} = 0\text{ V}, f = 1.00\text{ MHz}^{(1)}$ $V_{IO} = 0\text{ V}, f = 1.00\text{ MHz}^{(1)}$
I_{IO}	Leakage Input -to-Output 3N243, 3N244, 3N245 (TX) 3N262	-	-	100 10	nA	$V_{IO} = \pm 1.00\text{ kVDC}^{(1)}$ $V_{IO} = \pm 1.00\text{ kVDC}^{(1)}$
R_{IO}	Isolation Resistance 3C91C, 3C92C (TX)	10^9	-	-	Ω	$V_{IO} = +1\text{ kV}$
t_r	Output Rise Time 3N243, 3N244, 3N245 (TX) 3N262	-	-	10 20	μs	$V_{CC} = 10.0\text{ V}, I_F = 10.0\text{ mA}, R_L = 100\ \Omega^{(2)}$ $V_{CC} = 10.0\text{ V}, I_F = 5.0\text{ mA}, R_L = 100\ \Omega^{(2)}$
t_f	Output Fall Time 3N243, 3N244, 3N245 (TX) 3N262	-	-	10 10	μs	$V_{CC} = 10.0\text{ V}, I_F = 10.0\text{ mA}, R_L = 100\ \Omega^{(2)}$ $V_{CC} = 10.0\text{ V}, I_F = 5.0\text{ mA}, R_L = 100\ \Omega^{(2)}$

Notes:

- Measured with input leads shorted together and output leads shorted together.
- The input waveform is supplied by a generator with the following characteristics: $Z_{OUT} = 50\ \Omega$, $t_r \leq 15\text{ ns}$, duty cycle $\sim 1\%$, pulse width $\sim 100\text{ ms}$.



General Note

TT Electronics reserves the right to make changes in product specification without notice or liability. All information is subject to TT Electronics' own data and is considered accurate at time of going to print.

TT Electronics | OPTeK Technology
2900 E. Plano Pkwy, Plano, TX 75074 | Ph: +1 972 323 2200
www.ttelectronics.com | sensors@ttelectronics.com

Looking for pricing, stock, or lifecycle information?

Click below to explore more details on WIN SOURCE:

 [View 3C92C on WIN SOURCE](#)

 [TT Electronics Information](#)

Optimize Your Supply Chain with WIN SOURCE Solutions

-  Global Sourcing Solution
-  Obsolete Management
-  Cost Control Management
-  Shortage Management
-  Alternative Solution
-  Excess Inventory Management