
Low-Power, 2.4 GHz ISM-Band IEEE 802.15.4™ RF Transceiver with Extended Proprietary Features

Features

- IEEE 802.15.4™-2003 and IEEE 802.15.4-2006 Standard Compliant RF transceiver
- Multiple air-data-rates:
 - 250 kbps (IEEE 802.15.4)
 - 125, 500, 1000, 2000 kbps, co-existence with standard networks
- Configurable TX output power: -19 to 1 dBm
- Frame header duration scales with the selected data rate
- On-the-fly, per frame air-data-rate detection (link-by-link independent air-data-rates)
- Inferred destination addressing (to further save on framing overheads; optional)

Full-Featured MCU Support

- Hardware frame parser
- Hardware CSMA-CA controller, automatic Acknowledgment (ACK) and Frame Check Sequence (FCS)
- Supports all Clear Channel Assessment (CCA) modes
- Reports ED, RSSI, LQI, and CFO
- Channel Agility with acknowledgments
- Two independent 128 byte frame buffers
- Streaming mode to maximize throughput
- Automatic packet retransmit capability
- Hardware Security Engine (AES-128) and configurable Encryption/Decryption mode

Low-Power

- Extreme minimization of radio ON time
 - Highest channel-admissible data rate used
 - 20%-70% overall reduction through framing
- 2 Mbps frames can reduce radio ON time by a factor of 4 to 8 with respect to 250 kbps frames
- 27.5 mA TX current (typical at 0 dBm)
- 13.5 mA RX current in RX Listen Power-Saving mode
- 15.5-16.5 mA RX current in RX Packet Demodulation mode (data rate and device Configuration dependent)
- Deep Sleep, Sleep, Crystal ON, and RX Listen Power-Saving modes
- Memory retention in Deep Sleep mode (<40 nA typical)
- Automated functions minimize MCU ON time

General

- Low external component count
- Best-in-class battery life preservation
- Supply range: 1.5V to 3.6V
- Compact 32-pin 5x5 mm² QFN package
- Temperature range: -40°C to +85°C
- Certified turnkey-ready solutions available

Applications

- IEEE 802.15.4/ZigBee® systems (RF4CE and MiWi™ network)
- Industrial monitoring and control
- IEEE 1588 precise timing protocol networks
- Automatic meter reading
- Home building automation
- Low-power wireless sensor networks
- Consumer electronics, voice and audio

MRF24XA

Pin Diagram

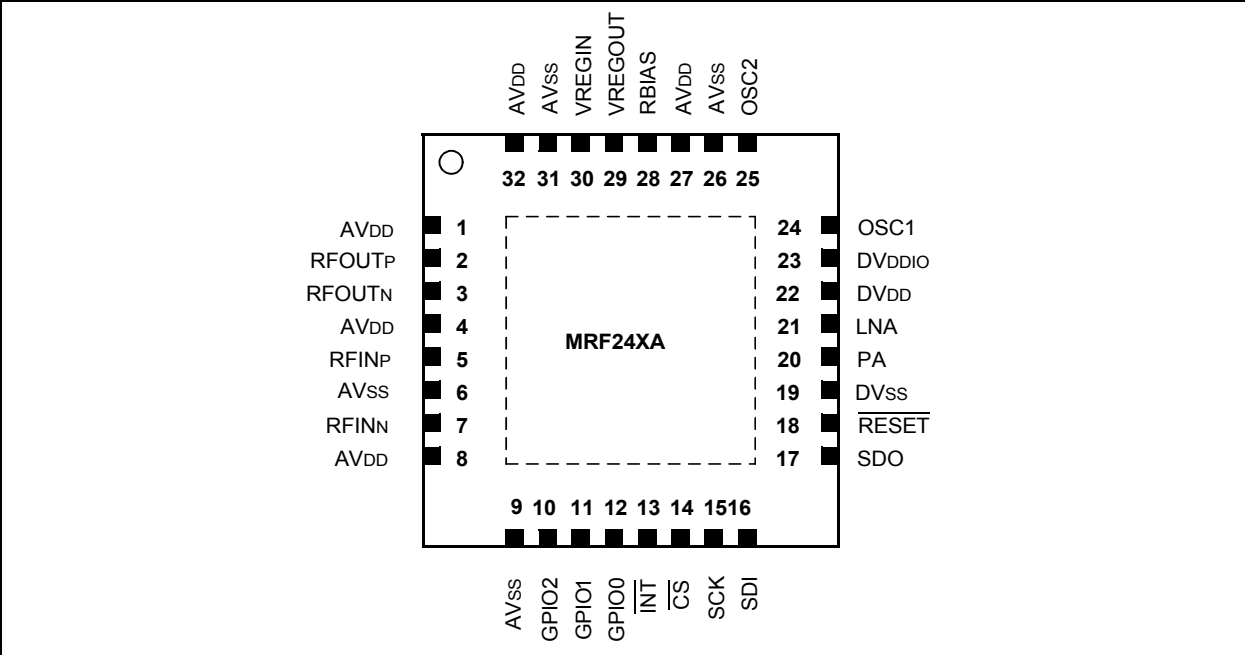


Table of Contents

1.0	Device Overview	5
2.0	Hardware Description	7
3.0	Functional Description	71
4.0	General Transceiver Operations	89
5.0	IEEE 802.15.4™ Compliant Frame Format and Frame Processing	133
6.0	Proprietary Frame Format and Frame Processing	169
7.0	Advanced Link Behavior in Proprietary Packet Mode	189
8.0	Bridging	197
9.0	Physical layer Functions	199
10.0	Battery Life Optimization	237
11.0	Electrical Characteristics	241
12.0	Packaging Information	245
	Appendix A: Revision History	249
	The Microchip Web Site	251
	Customer Change Notification Service	251
	Customer Support	251
	INDEX	255

TO OUR VALUED CUSTOMERS

It is our intention to provide our valued customers with the best documentation possible to ensure successful use of your Microchip products. To this end, we will continue to improve our publications to better suit your needs. Our publications will be refined and enhanced as new volumes and updates are introduced.

If you have any questions or comments regarding this publication, please contact the Marketing Communications Department via E-mail at docerrors@microchip.com or fax the **Reader Response Form** in the back of this data sheet to (480) 792-4150. We welcome your feedback.

Most Current Data Sheet

To obtain the most up-to-date version of this data sheet, please register at our Worldwide Web site at:

<http://www.microchip.com>

You can determine the version of a data sheet by examining its literature number found on the bottom outside corner of any page. The last character of the literature number is the version number, (e.g., DS30000A is version A of document DS30000).

Errata

An errata sheet, describing minor operational differences from the data sheet and recommended workarounds, may exist for current devices. As device/documentation issues become known to us, we will publish an errata sheet. The errata will specify the revision of silicon and revision of document to which it applies.

To determine if an errata sheet exists for a particular device, please check with one of the following:

- Microchip's Worldwide Web site; <http://www.microchip.com>
- Your local Microchip sales office (see last page)

When contacting a sales office, please specify which device, revision of silicon and data sheet (include literature number) you are using.

Customer Notification System

Register on our web site at www.microchip.com to receive the most current information on all of our products.

MRF24XA

NOTES:

1.0 DEVICE OVERVIEW

MRF24XA is an IEEE 802.15.4™ Standard compliant 2.4 GHz RF transceiver with feature extensions. MRF24XA integrates the PHY and MAC functionality in a single-chip solution. MRF24XA implements a low-cost, low-power, high data rate (125 kbps to 2 Mbps) Wireless Personal Area Network (WPAN) device. All the data rates contains the same spectral shape requiring identical bandwidth. At 125 kbps data rate Direct Sequence Spread Spectrum (DSSS) is combined with error correction and coding for maximum range and robustness against interference. The 2 Mbps data rate is used to minimize radio ON time, therefore extending battery life. Figure 1-1 illustrates a simplified block diagram of a MRF24XA wireless node. MRF24XA interfaces to many popular Microchip PIC® microcontrollers through a 4-wire serial SPI interface, interrupt, GPIO, and RESET pins.

MRF24XA can also handle external Power Amplifier (PA) and Low Noise Amplifier (LNA).

MRF24XA provides hardware support for:

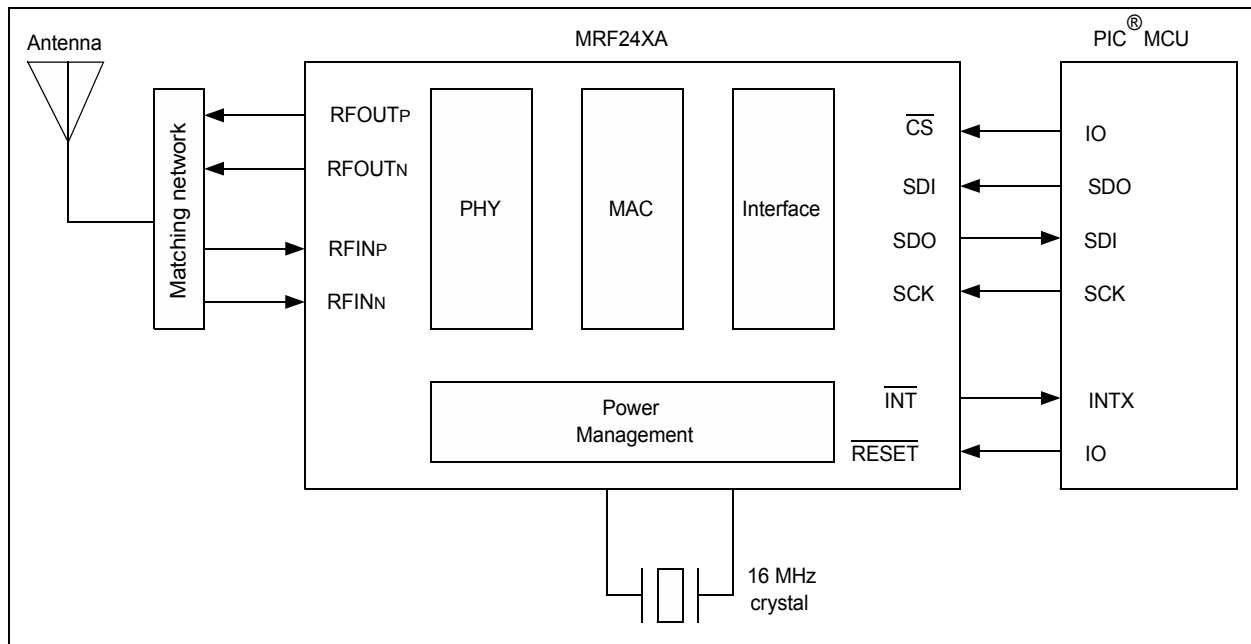
- Energy detection
- Carrier sense
- Four CCA modes
- CSMA-CA algorithm
- Automatic packet retransmission
- Automatic acknowledgement
- Independent transmit and receive buffers
- Security engine supports encryption and decryption for MAC sublayer and upper layer
- Inferred destination addressing
- Channel agility with ACKs
- Battery monitoring

These features reduce the processing load, allowing the use of low-cost 8-bit microcontrollers.

MRF24XA is compatible with Microchip's ZigBee®, MiWi™ and MiWi P2P software stacks. Each software stack is available as a free download, including source code, from the Microchip web site:

<http://www.microchip.com/wireless>.

FIGURE 1-1: MRF24XA WIRELESS NODE BLOCK DIAGRAM



MRF24XA

NOTES:

2.0 HARDWARE DESCRIPTION

2.1 Overview

MRF24XA is an IEEE 802.15.4 Standard compliant 2.4 GHz RF transceiver with extended feature set for longer battery life, higher throughput and increased operating range.

MRF24XA integrates the PHY and MAC functionality in a single-chip solution. [Figure 2-1](#) illustrates a block diagram of the MRF24XA circuitry.

An external 16 MHz crystal clocks the frequency synthesizer and generates a 2.4 GHz frequency RF carrier.

The receiver is a zero-IF architecture consisting of a Low-Noise Amplifier, down conversion mixers, channel filters and baseband amplifiers with a Received Signal Strength Indicator (RSSI).

The transmitter is a direct conversion architecture with a 1 dBm maximum output (typical) and 20 dB power control range.

The internal transmitter and receiver circuits contains separate RFP and RFN input/output pins that connects to impedance matching circuitry (balun) and antenna. An external Power Amplifier or Low Noise Amplifier, or both is controlled through the PA and LNA pins.

Three general purpose Input/Output (GPIO) pins are configurable for control or monitoring purposes.

The power management circuitry consists of an integrated Low Dropout (LDO) voltage regulator and a 5-bit resolution Battery Monitor Block. MRF24XA is placed into a low-current (<40 nA typical) Deep Sleep mode.

The Media Access Controller (MAC) circuitry can sequence the transmit, receive and automatically enable the security operations. The host MCU can control these mechanisms through register configurations and Frame Control (FCtrl) field embedded in the downloaded formatted frames. Three alternative frame formats are supported: IEEE 802.15.4 2003, 2006 compliant MAC frame formats and a flexible and power-efficient advanced MAC frame format, which is proprietary. Before launching transmission, the host must load the buffer with a formatted frame. The hardware can optionally perform encryption and message integrity code appending as configured, then sends the frame appending a Frame Check Sequence (FCS).

Hardware can autonomously sequence acknowledge reception and automatic retransmissions.

In reception, the format of the demodulated frame is verified. Depending on the Configuration, duplicate frames, frames with corrupted FCS or address mismatch are discarded. On reception of valid frames, automatic acknowledge sending, decryption and message integrity checking are supported.

As the default, separate buffers are reserved for transmission and reception. Alternatively, either the Transmit Streaming (TX-Streaming) or the Receive Streaming (RX-Streaming) modes are selected whereby buffers are used by alternating between the two for servicing a single direction of data flow. The AES-128 engine are governed to perform network-layer security processing and supports complete security suites such as CTR, CBC-MAC and CCM*.

Transceiver is controlled through a 4-wire SPI, interrupt and RESET pins.

2.2 Operating Modes

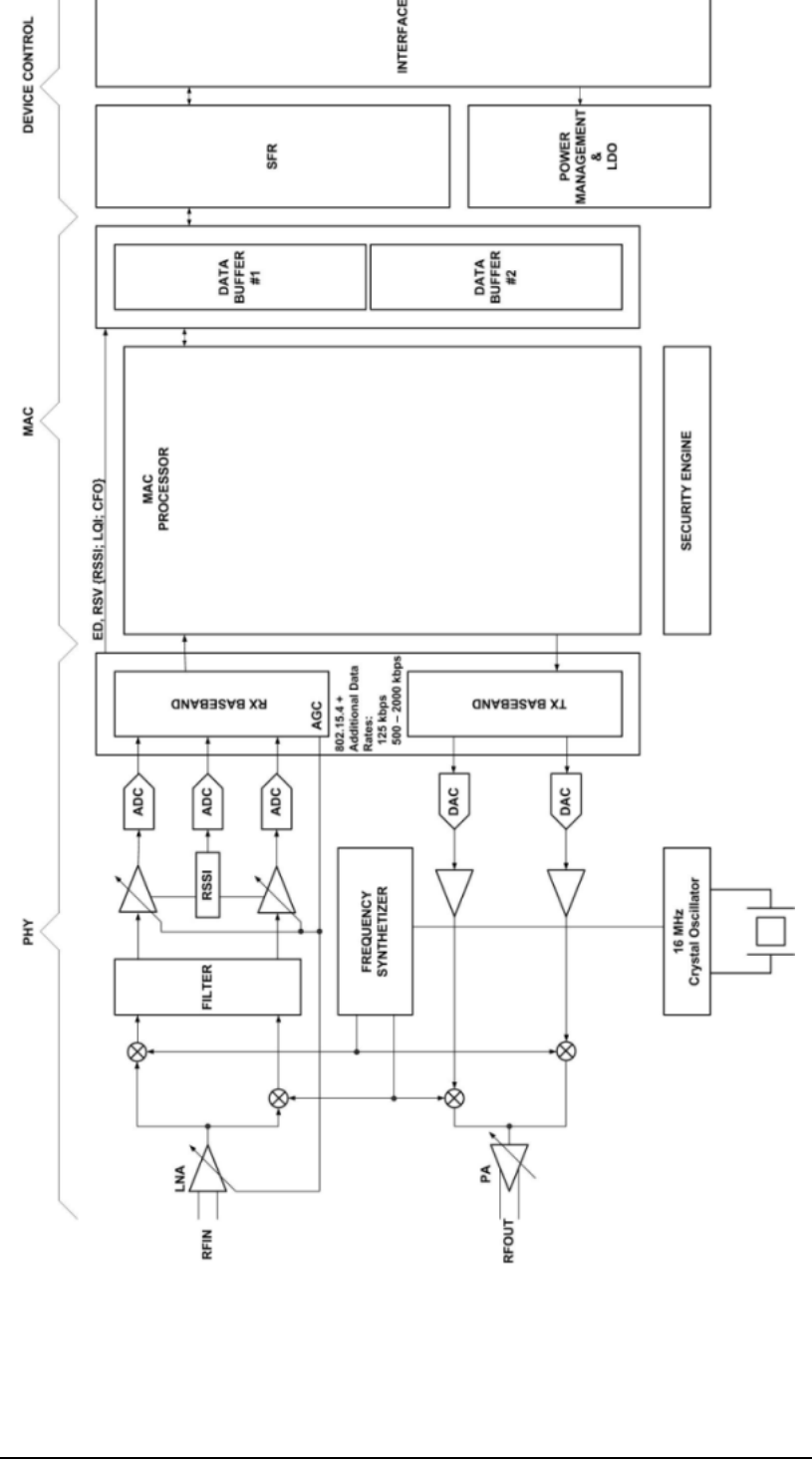
[Table 2-1](#) summarizes the Operating modes of MRF24XA.

TABLE 2-1: MRF24XA POWER MODES

Operating Mode	Internal Functional Blocks					
	1.2V LDO	Crystal Oscillator	Synthesizer	RX Front End	RX Baseband	TX Chain
Deep Sleep	OFF	OFF	OFF	OFF	OFF	OFF
Sleep	ON	OFF	OFF	OFF	OFF	OFF
RFOFF Crystal ON	ON	ON	OFF	OFF	OFF	OFF
RFOFF Synthesizer ON	ON	ON	ON	OFF	OFF	OFF
RX Listen Power-Save	ON	ON	ON	ON	OFF	OFF
RX Listen	ON	ON	ON	ON	ON	OFF
TX	ON	ON	ON	OFF	OFF	ON

2.3 Block Diagram

FIGURE 2-1: MRF24XA ARCHITECTURE BLOCK DIAGRAM



2.4 Pin Descriptions

TABLE 2-2: MRF24XA PIN DESCRIPTIONS

Pin	Symbol	Type	Description
1	AVDD	Power	1.2V supply, normally connected to VREGOUT (pin 29)
2	RFOUTP	AO	Differential RF Output (+)
3	RFOUTN	AO	Differential RF Output (-)
4	AVDD	Power	1.2V supply, normally connected to VREGOUT (pin 29) ⁽¹⁾
5	RFINP	AI	Differential RF Input (+)
6	AVSS	Ground	Ground
7	RFINN	AI	Differential RF Input (-)
8	AVDD	Power	1.2V supply, normally connected to VREGOUT (pin 29)
9	AVSS	Power	Ground ⁽¹⁾
10	GPIO2	DIO	GPIO2
11	GPIO1	DIO	GPIO1
12	GPIO0	DIO	GPIO0
13	INT	DO	Interrupt Output, active-low
14	CS	DI	SPI Chip Select Pin, active-low
15	SCK	DI	SPI serial clock
16	SDI	DI	SPI serial data Input
17	SDO	DO	SPI serial data Output
18	RESET	DI	Reset Input, active-low
19	DVSS	Ground	Digital ground
20	PA	DO	External PA enable Output
21	LNA	DO	External LNA enable Output
22	DVDD	Power	Digital 1.2V supply, normally connected to VREGOUT (pin 29)
23	DVDDIO	Power	Digital 1.5V–3.6V supply for the IO blocks, normally connected to VREGIN (pin 30)
24	OSC1	AI	Crystal oscillator Pin 1, External Clock Input
25	OSC2	AO	Crystal oscillator Pin 2
26	AVSS	Ground	Ground
27	AVDD	Power	1.2V supply, normally connected to VREGOUT (pin 29)
28	RBIAS	AO	External resistor reference pin
29	VREGOUT	Power	1.2V regulated Output
30	VREGIN	Power	1.5V–3.6V regulator Input
31	AVSS	Ground	Ground
32	AVDD	Power	1.2V supply, normally connected to VREGOUT (pin 29)

Legend: A = Analog, D = Digital, I = Input, O = Output

Note 1: In case PCB runs out of space, disconnect these pins.

MRF24XA

2.4.1 POWER AND GROUND PINS

Table 2-3 lists the recommended bypass capacitors. VDD pins 29 and 30 are power pins, which require different bypass capacitors to ensure sufficient bypass decoupling and stability. Bypass capacitors must have low serial resistance. The 4.7 μF capacitors must be made of ceramic or high-performance tantalum.

On PCB layout minimize trace length from the VDD pin to the bypass capacitors and connect capacitors to the pads as short as possible. PCB tracks must be wide enough to minimize voltage drop and serial inductance of the power line.

Analog and digital power lines must follow a star topology, where the common point is the bypass capacitor on pin 30.

TABLE 2-3: RECOMMENDED BYPASS CAPACITOR VALUES

VDD Pin	Symbol	Bypass Capacitor
1	AVDD	3.3 pF
29	VREGOUT	4.7 μF
30	VREGIN	10 nF + 4.7 μF

2.4.2 16 MHz MAIN OSCILLATOR PINS

The 16 MHz oscillator is connected to OSC1 and OSC2 pins as shown in Figure 2-2, which provides the reference frequency for the internal RF, MAC and BB circuitry. Table 2-4 lists the crystal parameters.

To minimize parasitic effects on pins, the crystal must be put as close as possible to MRF24XA. It keeps the tracks short. Crystal must be surrounded with ground pour to minimize cross coupling effects. Crystal load capacitors must be placed close to the crystal.

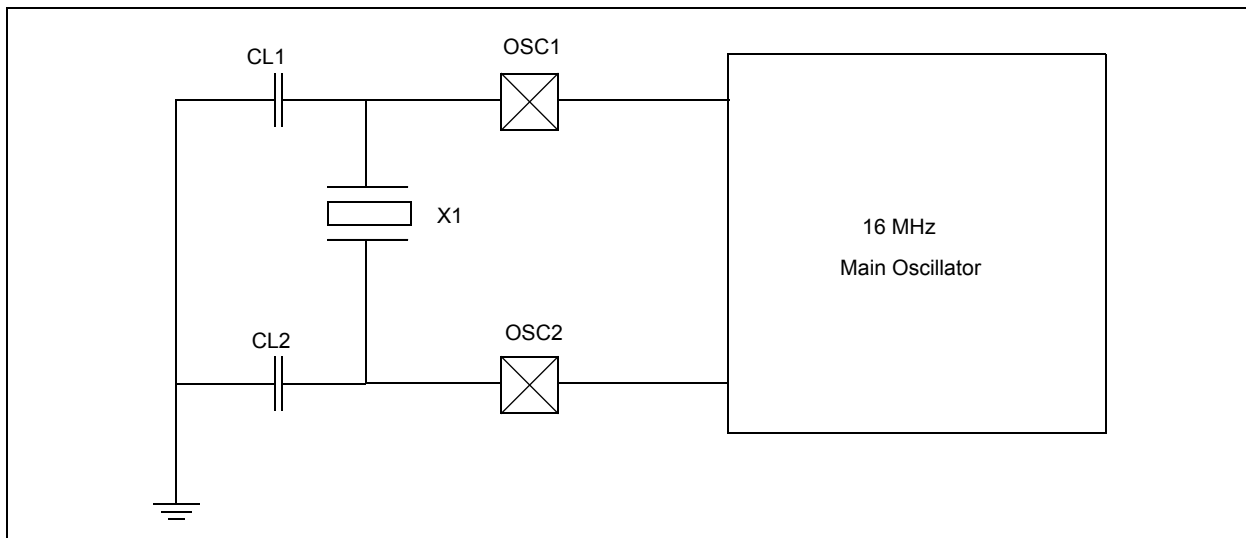
TABLE 2-4: 16 MHz CRYSTAL PARAMETERS⁽¹⁾

Parameters	Value
Frequency	16 MHz
Frequency tolerance for 500, 250 and 125 kbps data rates (including manufacturing aging and temperature)	± 60 ppm ⁽¹⁾
Frequency tolerance for 2 and 1 Mbps data rates (including manufacturing aging and temperature)	± 40 ppm ⁽²⁾
Mode	Fundamental
Load Capacitance	18 pF
ESR	80 Ohm max

Note 1: IEEE 802.15.4 defines ± 40 ppm.

Note 2: These values are only used for design guidance .

FIGURE 2-2: 16 MHz MAIN OSCILLATOR CRYSTAL CIRCUIT



2.4.3 RESET ($\overline{\text{RESET}}$) PIN

An external Hardware Reset is performed by asserting the $\overline{\text{RESET}}$ pin 18 low. If the $\overline{\text{RESET}}$ pin is deasserted, MRF24XA starts the internal Calibration process. $\overline{\text{RDYIF}}$ interrupt is set when the device is ready to use. The $\overline{\text{RESET}}$ pin contains an internal weak pull-up resistor.

2.4.4 INTERRUPT ($\overline{\text{INT}}$) PIN

The Interrupt ($\overline{\text{INT}}$) pin 13 provides an interrupt signal to the host MCU from MRF24XA where the signal is active-low polarity. Interrupt sources must be enabled and unmasked before the $\overline{\text{INT}}$ pin becomes active.

Refer to **Section 3.2 “Interrupts”** for the functional description of interrupts.

2.4.5 GENERAL PURPOSE INPUT/ OUTPUT (GPIO) PINS

Three GPIO pins are configured individually for control or monitoring purposes. The TRISGPIOx bits in the GPIO register (0x0D) configures the input or output selection. GPIO data is read or written through the GPIO bits of GPIO register. The GPIO interrupt polarity is selected through GPIOxP bits in the STGPIO (0x0E) register.

GPIO lines in Input mode are used in Schmitt Trigger Input mode. STENGPIOx bits of STGPIO register enables Schmitt Triggers. GPIOs are also used to monitor the internal blocks. The $\text{GPIO MODE bits } \langle 3:0 \rangle$ of the PINCON (0x0C) register selects these monitoring functions.

2.4.6 SERIAL PERIPHERAL INTERFACE (SPI) PORT PINS

MRF24XA communicates with a host MCU through a 4-wire SPI port as a slave device. MRF24XA supports SPI mode $0,0$, which requires that SCK idles in a low state. The CS pin must be held low while communicating with MRF24XA. [Figure 2-3](#) illustrates timing for a read and a write operation. MRF24XA receives the data through the SDI pin and clocks in on the rising edge of SCK . MRF24XA sends data through the SDO pin and clocks out on the falling edge of SCK . The SDO lines preserve its HiZ state in Deep Sleep mode.

2.6 Memory Organization

Table 2-5 shows that memory is functionally divided into Special Function Registers (SFR) and data buffers.

The SFRs provide control, status and device Configuration addressing for MRF24XA operations. Data buffers serve as temporary buffers for data transmission and reception. Memory is accessed through two addressing methods: Short (1 byte) and Long (2 bytes).

2.6.1 ADDRESS OVERVIEW

MRF24XA contains two Addressing modes:

- Short Address Mode: Requires one byte for address, and may be used to access the first 64 on-chip control registers.
- Long Address Mode: Requires two bytes for address, and may be used to access all on-chip registers and data buffers. Figure 2-4 illustrates these modes.

TABLE 2-5: MRF24XA MEMORY MAP

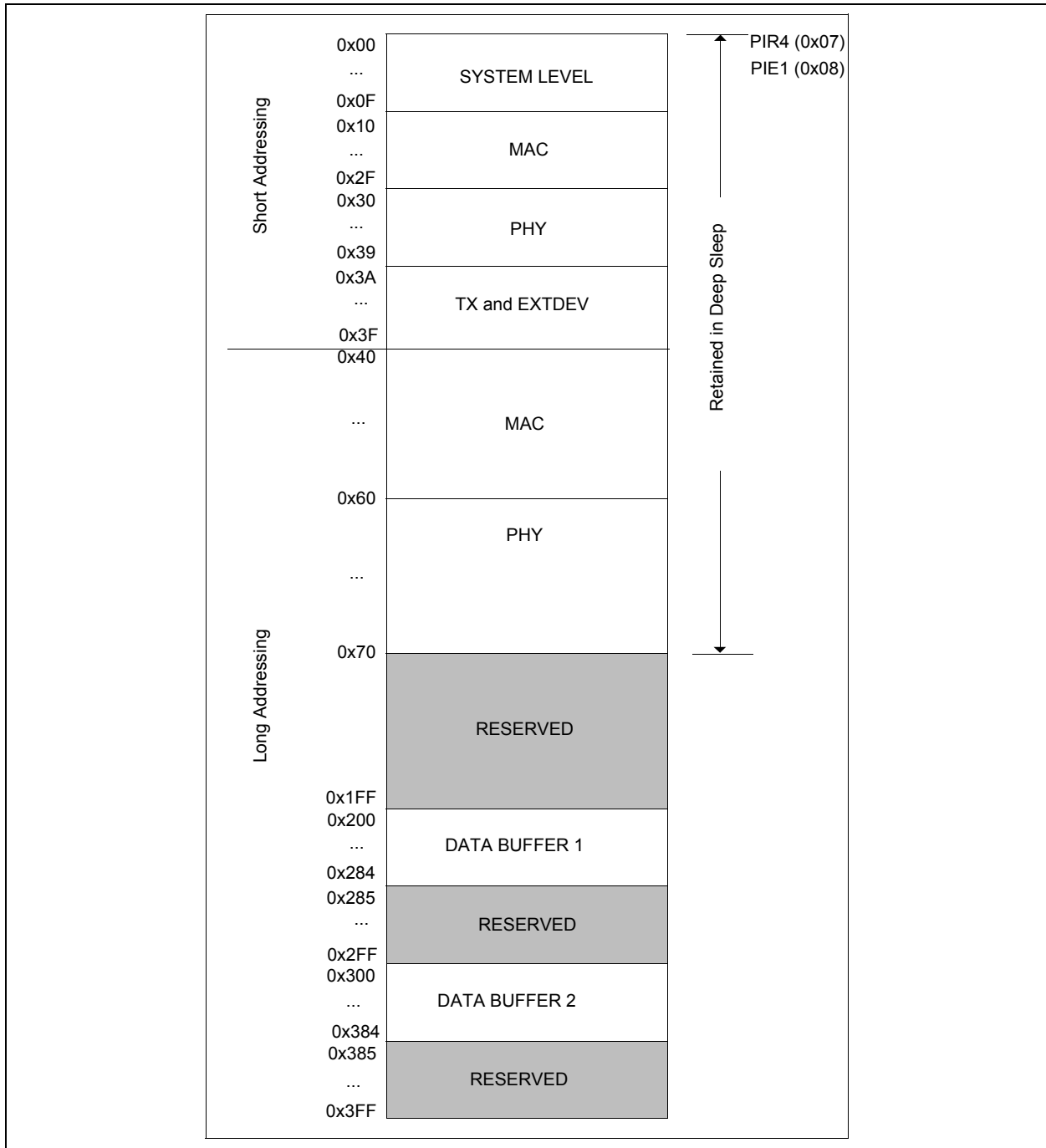


TABLE 2-6: SHORT ADDRESS REGISTER SUMMARY FOR MRF24XA

Architecture	Address	Name	Bit 7	Bit 6	Bit 5	Bit 4	Bit 3	Bit 2	Bit 1	
SYSTEM LEVEL	0x00	REGRST	r	r	REGRST<5:0>					Bit 1
	0x01	FSMRST	r	r	FSMRST<4:0>					Bit 2
	0x02	OPSTATUS	r	r	MACOP<3:0>					Bit 3
	0x03	STATUS	INITDONESF	XTALSF	REGSF	CALST	XTALDIS	DSLEEP	IDLESF	RFOP<2:0>
	0x04	PIR1	VREGIF	r	RDYIF	IDLEIF	r	CALSOIF	CALHAIF	
	0x05	PIR2	TXIF	TXENCIF	TXMAIF	TXACKIF	TXCSMAIF	TXSZIF	TXOVFIIF	
	0x06	PIR3	RXIF	RXDECIF	RXTAGIF	r	RXIDENTIF	RXFLTIF	RXOVFIIF	
	0x07	PIR4	TXSFDIF	RXSFDIF	ERRORIF	WARNIF	EDCCAIF	GPIO2IF	GPIO1IF	
	0x08	PIE1	r	r	RDYIE	IDLEIE	r	CALSOIE	CALHAIE	
	0x09	PIE2	TXIE	TXENCIE	TXMAIE	TXACKIE	TXCSMAIE	TXSZIE	TXOVFIE	
0x0A	PIE3	RXIE	RXDECIE	RXTAGIE	r	RXIDENTIE	RXFLTIE	RXOVFIE		
0x0B	PIE4	TXSFDIE	RXSFDIE	ERRORIE	WARNIE	EDCCAIE	GPIO2IE	GPIO1IE		
0x0C	PINCON	r	GIE	r	IRQIF	GPIO MODE<3:0>				
0x0D	GPIO	GPIOEN	TRISGPIO2	TRISGPIO1	TRISGPIO0	r	GPIO2	GPIO1		
0x0E	STGPIO	r	GPIO2P	GPIO1P	GPIO0P	r	STENGPIO2	STENGPIO1		
0x0F	PULLGPIO	r	PULLDIRGPIO2	PULLDIRGPIO1	PULLDIRGPIO0	r	PULLENGPIO2	PULLENGPIO1		
0x10	MACCON1	TRXMODE<1:0>		ADDRSZ<2:0>		CRCSZ			FRMFMTC	
0x11	MACCON2	CHANNEL<3:0>			SECSUITE<3:0>			DR<2:0>		
0x12	TXCON	TXST	DTSM	TXENC	TXBUFEMPTY	CSMAEN				
0x13	RXACKWAIT	RXACKWAIT<7:0>								
0x14	RETXCOUNT	RETXCMCNT<3:0>								
0x15	RXCON1	RXEN	NOPA	RXDEC	RXVLQIEN	RSVRSSIEN	RSVCHDREN	RSVCFDREN		
0x16	RXCON2	RXBUFFUL	IDENTREJ	ACKRXFP	ACKTXFP	AUTORPTEN	AUTOACKEN	ADPTCHEN		
0x17	TXACKTO	TXACKTO<7:0>								
0x18	RXFILTER	PANCRDN	CRCREJ	CMDREJ	DATAREJ	UNIREJ	NOTMEREJ	BCREJ		
0x19	TMRCON	BOMCNT<2:0>		BASETM<4:0>						
0x1A	CSMABE	MAXBE<3:0>			MINBE<3:0>					
0x1B	BOUNIT	BOUNIT<7:0>								
0x1C	STRMTOL	STRMTO<7:0>								
0x1D	STRMTOH	STRMTO<15:8>								
0x1E	OFFTM	OFFTM<7:0>								
MAC										

Legend: r = Reserved, read as '0'.

TABLE 2-6: SHORT ADDRESS REGISTER SUMMARY FOR MRF24XA (CONTINUED)

Architecture	Address	Name	Bit 7	Bit 6	Bit 5	Bit 4	Bit 3	Bit 2	Bit 1
	0x1F	ADDR1							ADDR<7:0>
	0x20	ADDR2							ADDR<15:8>
	0x21	ADDR3							ADDR<23:16>
	0x22	ADDR4							ADDR<31:24>
	0x23	ADDR5							ADDR<39:32>
	0x24	ADDR6							ADDR<47:40>
	0x25	ADDR7							ADDR<55:48>
	0x26	ADDR8							ADDR<63:56>
	0x27	SHADDR1							SHADDR<7:0>
	0x28	SHADDRH							SHADDR<15:8>
	0x29	PANIDL							PANID<7:0>
	0x2A	PANIDH							PANID<15:8>
	0x2B	SECHDRINDEX	r						SECHDRINDEX<6:0>
	0x2C	SECPAYINDEX	r						SECPAYINDEX<6:0>
	0x2D	SECENDINDEX	r						SECENDINDEX<6:0>
	0x2E	MACDEBUG	BUF1TXPP	BUF2TXPP	BUF1RXPP	BUF2RXPP	TXRDBUF	RXWRBUF	BUSRDBU
	0x2F	CCACON1	CCABUSY	CCAST					RSSITHR<6:0>
	0x30	CCACON2			CSTHR<3:0>				CCALEN<1:0>
	0x31	EDCON	r	r	EDMODE	EDST			EDLEN<3:0>
	0x32	EDMEAN							EDMEAN<7:0>
	0x33	EDPEAK							EDPEAK<7:0>
	0x34	CFOCON							CFOTX<3:0>
	0x35	CFOMEAS							CFOMEAS<7:0>
	0x36	RATECON	DIS2000	DIS1000	DIS500	DIS250	DISSTD	DIS125	OPTIMAL
	0x37	POWSAVE							DESENSTHR<3:0>
	0x38	BBCON	RNDMOD	AFCOVR		RXGAIN<1:0>	PRMBHOLD		PSAVTHR<3:0>
	0x39	IFGAP	r	r	r				PRMBSZ<2:0>
	0x3A	TXPOW							IFGAP<4:0>
TX AND EXTDEV						CHIPBOOST<2:0>			TXPOW<4:0>
	0x3B	TX2IDLE	r	r	r				TX2IDLE<4:0>
	0x3C	TX2TXMA	r	r	r				TX2TXMA<4:0>
	0x3D	EXTPA	r	EXTPA_P	PAEN				PA2TXMA<4:0>
	0x3E	EXTLNA	r	EXTLNA_P	LNAEN				LNADLY<4:0>
	0x3F	BATMON	r	r	BATMONPD				BATMON<4:0>

Legend: r = Reserved, read as '0'.

MRF24XA

TABLE 2-7: LONG ADDRESS REGISTER SUMMARY FOR MRF24XA

	Address	Name	Bit 7	Bit 6	Bit 5	Bit 4	Bit 3	Bit 2	Bit 1	Bit 0	Page
MAC	0x40	SECKEY1	SECKEY<7:0>								63
	0x41	SECKEY2	SECKEY<15:8>								63
	0x42	SECKEY3	SECKEY<23:16>								63
	0x43	SECKEY4	SECKEY<31:24>								63
	0x44	SECKEY5	SECKEY<39:32>								63
	0x45	SECKEY6	SECKEY<47:40>								63
	0x46	SECKEY7	SECKEY<55:48>								63
	0x47	SECKEY8	SECKEY<63:56>								63
	0x48	SECKEY9	SECKEY<71:64>								63
	0x49	SECKEY10	SECKEY<79:72>								63
	0x4A	SECKEY11	SECKEY<87:80>								63
	0x4B	SECKEY12	SECKEY<95:88>								63
	0x4C	SECKEY13	SECKEY<103:96>								63
	0x4D	SECKEY14	SECKEY111:104>								63
	0x4E	SECKEY15	SECKEY<119:112>								63
	0x4F	SECKEY16	SECKEY<127:120>								63
	0x50	SECNONCE1	SECNONCE<7:0>								65
	0x51	SECNONCE2	SECNONCE<15:8>								65
	0x52	SECNONCE3	SECNONCE<23:16>								65
	0x53	SECNONCE4	SECNONCE<31:24>								65
	0x54	SECNONCE5	SECNONCE<39:32>								65
	0x55	SECNONCE6	SECNONCE<47:40>								65
	0x56	SECNONCE7	SECNONCE<55:48>								65
	0x57	SECNONCE8	SECNONCE<63:56>								65
	0x58	SECNONCE9	SECNONCE<71:64>								65
	0x59	SECNONCE10	SECNONCE<79:72>								65
	0x5A	SECNONCE11	SECNONCE<87:80>								65
	0x5B	SECNONCE12	SECNONCE<95:88>								65
	0x5C	SECNONCE13	SECNONCE<103:96>								65
	0x5D	SECENCFLAG	SECENCFLAG<7:0>								
0x5E	SECAUTHFLAG	SECAUTHFLAG<7:0>									
0x5F		r									
PHY	0x60	SFD1	SFD1<7:0>								66
	0x61	SFD2	SFD2<7:0>								67
	0x62	SFD3	SFD3<7:0>								67
	0x63	SFD4	SFD4<7:0>								68
	0x64	SFD5	SFD5<7:0>								68
	0x65	SFD6	SFD6<7:0>								69
	0x66	SFD7	SFD7<7:0>								69
	0x67		r								
	0x68		r								
	0x69		r								
	0x6A		r								
	0x6B		r								
	0x6C		r								
	0x6D		r								
	0x6E	SFDTO	SFDTIMEOUT<7:0>								
0x7F		r									

2.6.2 ADDRESS

When using a Short Addressing mode, the Address field is 6 bits wide to reduce framing overhead while accessing the mostly active registers (0x00..0x3F). In Long Addressing mode, the Address field is 10 bits wide (0x00..0x3FF) thus all the address is available for SPI operation.

2.6.3 AUTOMATIC TX START FEATURE

When a write to TRXBUF is done using Long Addressing mode and the 3rd bit of Byte 2 is set, the TXST bit automatically sets after the CS pin is released, and then MRF24XA sends the packet.

2.6.4 AUTOMATIC BUFFER FLUSH FEATURE

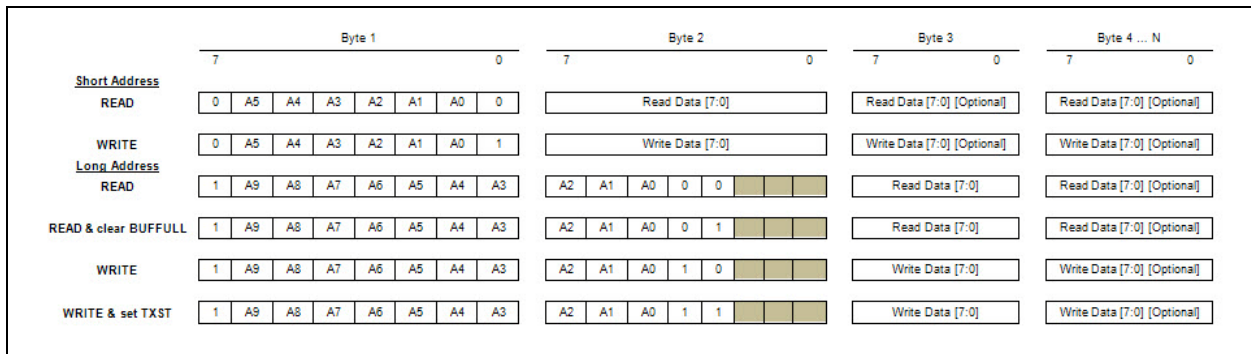
When a read from TRXBUF is done using Long Addressing mode and the 3rd bit of Byte 2 is set, the **BUFFULL** bit automatically becomes cleared after the CS pin is negated.

2.6.5 ADDRESS AUTO-INCREMENT FEATURE

After the starting address is loaded, the first byte of data is read from or written to this address. The second byte (assuming the \overline{CS} pin is not negated between bytes) is read from or written to the starting address plus one, and so on.

If the memory map end is reached, the effective address rolls over to the beginning of the memory map. It is the sole responsibility of the software to handle this situation correctly. [Figure 2-4](#) illustrates the available Address modes.

FIGURE 2-4: SPI FRAMING TYPES



MRF24XA

2.7 Register Details

REGISTER 2-1: OPSTATUS (OPERATION STATUS)⁽³⁾ **Address: 0x02**

R-0	R/HS/HC-0	R/HS/HC-0	R/HS/HC-0	R/HS/HC-0	R/HS/HC-0	R/HS/HC-0	R/HS/HC-0
r	MACOP<3:0>				RFOP<2:0>		
bit 7							bit 0

Legend: R = Readable bit	W = Writable bit	U = Unimplemented bit, read as '0'
-n = Value at POR	'1' = Bit is set	'0' = Bit is cleared
r = Reserved	HC = Hardware Clear	HS = Hardware Set
		x = Bit is unknown

bit 7 **Reserved:** Maintain as '0'

bit 6-3 **MACOP<3:0>:** MAC Operation Register bits^(1, 2)

Provides status information on the current MAC state machine state. Encoding on MACOP<3:1>:

- 111 = Transmitting Acknowledge (TXACK)
- 110 = Receiving a packet (RXBUSY)
- 101 = Receiver listening to the channel waiting for packet (RX)
- 100 = Receiving (or waiting for) Acknowledge (RXACK)
- 011 = Transmitting a packet (TX)
- 010 = Performing Clear Channel Assessment (CCA)
- 001 = Back-off before repeated CCA (BO)
- 000 = MAC does not perform any operation (IDLE)

bit 2-0 **RFOP<2:0>:** Radio Operation Register bits

Provides status information on the current radio state. Encoding on RFOP<2:0>:

- 111 = TX with external PA is turned on (TX+PA)
- 110 = RX with external LNA is turned on (RX+LNA)
- 101 = Synthesizer and external PA or LNA is turned on (SYNTH+PA/LNA)
- 100 = Radio calibrates if the host MCU sets the CALST, otherwise, device malfunction occurs (CAL/MAL)
- 011 = Analog transmit chain is activated (TX)
- 010 = Analog receiver chain is active (RX). Digital may be partially shut off
- 001 = Synthesizer is steady or ramping up or channel change is issued (SYNTH)
- 000 = Only the crystal oscillator is ON (OFF), (except when XTALSF = 1)

Note 1: GPIO<2:0> is dedicated to output MACOP<3:1> or RFOP<2:0>. Refer to the PINCON register, which specifies the pin Configuration.

2: MACOP<0> is connected to the RXBUFFFUL register bit. It cannot be output over GPIO's.

3: The OPSTATUS register is sent on the SDO pin during the first byte of the SPI operation.

REGISTER 2-2: STATUS (DEVICE STATUS)
Address: 0x03

R/HS	R/HS	R/HS	R/W/HC-0	R/W-0	R/W-0	R/HS	R/W/HC
INITDONESF	XTALSF	REGSF	CALST	XTALDIS	DSLEEP	IDLESF	POR
bit 7						bit 0	

Legend: R = Readable bit	W = Writable bit	U = Unimplemented bit, read as '0'
-n = Value at POR	'1' = Bit is set	'0' = Bit is cleared
r = Reserved	HC = Hardware Clear	HS = Hardware Set
		x = Bit is unknown

bit 7 **INITDONESF:** Device Initialization Status Flag bit

Indicates that the ready state is reached since the LDO is on, (If VREGIF = 1). INITDONESF is asserted when RDYIF is set for the first time after VREGIF. This bit is only cleared on reset (POR, DEVFRST and PINRST).

bit 6 **XTALSF:** Crystal Status Flag bit

XTALSF = 1, indicates that 16 MHz system clock (from the crystal oscillator) is active. This bit is cleared either when XTALDIS is set or reset (POR, DEVFRST, PINRST).

XTALSF = 0, indicates that the crystal oscillator is either powered off (XTALDIS = 1) or is ramping up or is not stabilized yet, and the system clock is inactive.

bit 5 **REGSF:** Configuration Registers Status Flag bit

REGSF = 1 indicates that all the 1.2V register content is valid. Either it holds the default value after reset and the retention memory does not hold any data to restore, or the register configurations are restored from the retention memory.

REGSF = 0 indicates that registers from 0x08-0x6E are invalid. This occurs when the wake-up procedure from Deep Sleep mode did not complete the register restore operation yet. This bit is only cleared on Reset (POR, DEVFRST, and PINRST).

bit 4 **CALST:** Calibration Start bit

MCU sets this bit to start Calibration procedure after a CALSOIF or CALHAIF interrupt occurred. MCU may *not* clear it to abort Calibration. The device clears CALST when the Calibration is completed (CALHAIF = 0 indicates success, CALHAIF = 1 indicates failure). Issuing CALST operation without CALHAIF/CALSOIF terminates without any effect on the device.

bit 3 **XTALDIS:** Crystal Disable bit

MCU sets this bit to send the device into XTAL OFF state (reachable from ready state). XTALSF automatically gets cleared. The SPI register access is performed when crystal is not working.

bit 2 **DSLEEP:** Deep-Sleep bit

MCU sets this bit to send the device into Deep Sleep state. Following DSLEEP = 1, the SPI access to the SFR is shut off, and the SPI pins must be quite, unless the host MCU wants to wake-up the device. When DSLEEP is set, the device transitions through register backup (taking cca. 16 is) before LDO is powered off.

bit 1 **IDLESF:** Idle Status Flag bit

Indicates Idle state of the device when all of the following bits are deasserted:

- TXBUFEMPTY = 0 since it is transmitted (TXST)
- Network layer security finished (TXENC)
- Crypto engine finished (RXDEC)
- Energy detect operation finished (EDST)
- Clear Channel Assessment finished (CCAST)

bit 0 **POR:** Power-on-Reset Flag bit

The 3.3V POR flag status. The device sets this only on 3.3V power-up (e.g., when battery is changed). Cleared by host MCU to be able to sense a Brown-out Reset (BOR). Settable for software testing.

MRF24XA

REGISTER 2-3: PIR1 (PERIPHERAL INTERRUPT REGISTER 1)

Address: **0x04**

R/HS-1	R-0	R/HS-0	R/W/HC-0	R-0	R/W/HS-0	R/W/HS-0	R-0
VREGIF	r	RDYIF	IDLEIF	r	CALSOIF	CALHAIF	r
bit 7							bit 0

Legend: R = Readable bit	W = Writable bit	U = Unimplemented bit, read as '0'
-n = Value at POR	'1' = Bit is set	'0' = Bit is cleared
r = Reserved	HC = Hardware Clear	HS = Hardware Set
		x = Bit is unknown

- bit 7 **VREGIF:** Voltage Regulator On Interrupt Flag bit
 This is a nonpersistent bit. The register bit initializes to one on 1.2V reset except for PINRESET and only clears when reading PIR1. Note that the corresponding IE bit is not implemented⁽¹⁾.
- bit 6 **Reserved:** Maintain as '0'
- bit 5 **RDYIF:** Ready State Interrupt Flag bit
 Set each time when ready state is reached:
- when Calibration ended (CALST = 0)
 - when initialization ended (INITDONESF = 1)
 - when crystal is ramped up (XTALSF = 1)
- This bit is cleared when PIR1 is read.
- bit 4 **IDLEIF:** Idle State Interrupt Flag bit
 Set each time the IDLESF is set and if MCU did not trigger this change. This is unchanged when MCU aborts an action by clearing either of TXST, TXENC, RXDEC or EDST bits. This bit is cleared when PIR1 is read.
- bit 3 **Reserved:** Maintain as '0'
- bit 2 **CALSOIF:** Calibration Soft Interrupt Flag bit
 CALSOIF = 1 indicates that Calibration is needed (CALST) although the radio is still functional. It also warns of a possible degradation in signal quality and consumption, and a risk of CALHAIF interrupt. This bit is cleared when PIR1 is read.
- bit 1 **CALHAIF:** Calibration Hard Interrupt Flag bit
 CALHAIF = 1 indicates that immediate Calibration (CALST) is mandatory, otherwise the radio is not functional. The device enters into malfunction state. This bit is cleared when PIR1 is read.
- bit 0 **Reserved:** Maintain as '0'

Note 1: Generated non-maskable interrupt is gated off until the 1.2V reset is released.

REGISTER 2-4: PIR2 (PERIPHERAL INTERRUPT REGISTER 2)
ADDRESS: 0x05

R/W/HS/Hc-0	R/W/HS/Hc-0	R/W/HS/Hc-0	R/W/HS/Hc-0	R/W/HS/Hc-0	R/W/HS/Hc-0	R/W/HS/Hc-0	R/W/HS/Hc-0
TXIF	TXENCIF	TXMAIF	TXACKIF	TXCSMAIF	TXSZIF	TXOVFIF	FRMIF
bit 7							bit 0

Legend: R = Readable bit	W = Writable bit	U = Unimplemented bit, read as '0'
-n = Value at POR	'1' = Bit is set	'0' = Bit is cleared
r = Reserved	HC = Hardware Clear	HS = Hardware Set
		x = Bit is unknown

- bit 7 **TXIF:** Transmission Done Interrupt Flag bit
 The current TX operation (TXST) is successfully completed. This event is unchanged when a hardware generated ACK packet completed the transmission or when a packet is repeated. Nonpersistent, cleared by SPI read.
- bit 6 **TXENCIF:** Transmit Encryption Interrupt Flag bit
 The TX packet is successfully encrypted or complemented, or both with a Message Integrity Code (MIC). Set by the device after TXENC = 1, when TXENC is cleared. Nonpersistent, cleared by SPI read.
- bit 5 **TXMAIF:** Transmitter Medium Access Interrupt Flag bit
 Set by the device when the medium is accessed specifically when the first sample in the preamble is transmitted into the air. Nonpersistent, cleared by SPI read.
- bit 4 **TXACKIF:** Transmission Unacknowledged Failure Interrupt Flag bit
 Set by the device when Acknowledge is not received after the configured maximum number of transmission retries RETXMCNT<3:0>, provided that the Frame Control field of the transmitted frame indicates AckReq = 1. Nonpersistent, cleared by SPI read.
- bit 3 **TXCSMAIF:** Transmitter CSMA Failure Interrupt Flag bit
 Set by the device when CSMA-CA finds the channel busy for BOMCNT<2:0> number of times, provided that CSMAEN = 1 is configured. Nonpersistent, cleared by SPI read.
- bit 2 **TXSZIF:** Transmit Packet Size Error Interrupt Flag bit
 Set by the device if TX packet size (first byte of the TX buffer) is found to be zero or greater than the maximum size that the buffer can support. Automatic size check is performed after TXST is set by the user. Please note that the device may modify the packet length after CRC or MIC calculation. Nonpersistent, cleared by SPI read.
- bit 1 **TXOVFIF:** Transmitter Overflow Interrupt Flag bit
 The Host Controller attempted to write a TX buffer that was not empty (TXBUFEMPTY = 0). Nonpersistent, cleared by SPI read.
- bit 0 **FRMIF:** Frame Format Error Interrupt Flag bit
 Set if the transmitter/receiver fails to parse the frame in the buffer (it is not as it must be or it is corrupted in demodulation).

MRF24XA

REGISTER 2-5: PIR3 (PERIPHERAL INTERRUPT REGISTER 3)

ADDRESS: **0x06**

RW/HS/HC-0	RW/HS/HC-0	RW/HS/HC-0	R-0	RW/HS/HC-0	RW/HS/HC-0	RW/HS/HC-0	RW/HS/HC-0
RXIF	RXDECIF	RXTAGIF	r	RXIDENTIF	RXFLTIF	RXOVFIF	STRMIF
bit 7							bit 0

Legend: R = Readable bit	W = Writable bit	U = Unimplemented bit, read as '0'
-n = Value at POR	'1' = Bit is set	'0' = Bit is cleared
r = Reserved	HC = Hardware Clear	HS = Hardware Set
		x = Bit is unknown

- bit 7 **RXIF:** Received Successful Interrupt Flag bit
 Set by the device when a frame passed packet filtering and accepted, refer to [Register 2-23](#). This interrupt flag is only set once for a packet and is not set when the packet is the duplicate of a repeated transmission (sequence number matches with the previously received frame).
 Nonpersistent, cleared by SPI read.
- bit 6 **RXDECIF:** Receiver Decryption/Authentication Passed Interrupt Flag bit
 Set by the device when decryption/authentication finished without error.
 Nonpersistent, cleared by SPI read.
- bit 5 **RXTAGIF:** Receiver Decryption/Authentication Failure Interrupt Flag bit
 Set by the device when decryption/authentication finished with error.
 Nonpersistent, cleared by SPI read.
- bit 4 **Reserved:** Maintain as '0'
- bit 3 **RXIDENTIF:** Received Packet Identical Interrupt Flag bit
 Set by the device when the packet is the duplicate of a repeated transmission (sequence number and source address matches with the previously received frame). Nonpersistent, cleared by SPI read.
- bit 2 **RXFLTIF:** Received Packet Filtered Interrupt Flag bit
 Set by the device when a packet is received, but rejected by one or more RX Filters, refer to [Register 2-23](#).
 Nonpersistent, cleared by SPI read.
- bit 1 **RXOVFIF:** Receiver Overflow Error Interrupt Flag bit
 Set by the device to indicate that a packet was received, but all RX buffers were full. Consequently the packet was not received, but was discarded instead⁽¹⁾.
 Nonpersistent, cleared by SPI read.
- bit 0 **STRMIF:** Receive Stream Time-Out Error Interrupt Flag bit
 Set by the device to indicate that the duration specified in STRMTO elapsed since the last received packet while in RX-Streaming mode, and the MAC clears the stored sequence number.
 Nonpersistent, cleared by SPI read.

Note 1: In Packet mode, use a single buffer for received frames. In RX-Streaming mode, use both buffers for reception.

REGISTER 2-6: PIR4 (PERIPHERAL INTERRUPT REGISTER 4)⁽¹⁾
ADDRESS: 0x07

RW/HS/HC-0	RW/HS/HC-0	RW/HS/HC-0	RW/HS/HC-0	RW/HS/HC-0	RW/HS/HC-0	RW/HS/HC-0	RW/HS/HC-0
TXSFDIF	RXSFDIF	ERRORIF	WARNIF	EDCCAIF	GPIO2IF	GPIO1IF	GPIO0IF
bit 7							bit 0

Legend: R = Readable bit	W = Writable bit	U = Unimplemented bit, read as '0'
-n = Value at POR	'1' = Bit is set	'0' = Bit is cleared
r = Reserved	HC = Hardware Clear	HS = Hardware Set
		x = Bit is unknown

- bit 7 **TXSFDIF:** Transmit SFD Sent Interrupt Flag bit
Set by the device when the last sample of the SFD field is sent into the air.
Nonpersistent, cleared by SPI read
- bit 6 **RXSFDIF:** Receive SFD Detected Interrupt Flag bit
Set by the device when the SFD field of the received frame is detected.
Nonpersistent, cleared by SPI read.
- bit 5 **ERRORIF:** General Error Interrupt Flag bit
Set by the device, when malfunction state is reached.
- bit 4 **WARNIF:** Warning Interrupt Flag bit
Set by the device when one of the following occurred:
- Battery voltage drops below the threshold by BATMON<4:0> at 0x3F
 - Indicates that resistor is missing or improperly connected.
- bit 3 **EDCCAIF:** Energy Detect/CCA Done Interrupt Flag bit
Set by the device when Energy-detect or CCA measurement is complete (following that the host MCU sets the EDST/CCAST bit to start the measurement and the device is clearing it for completion).
Nonpersistent. Cleared by SPI read.
- bit 2 **GPIO2IF:** GPIO2 Interrupt Flag bit
Set by the device if the GPIOMODE register is set to normal operation, the GPIO is enabled and configured to input and the level matches with the polarity.
- bit 1 **GPIO1IF:** GPIO1 Interrupt Flag bit
Set by the device if the GPIOMODE register is set to normal operation, the GPIO is enabled and configured to input and the level matches with the polarity.
- bit 0 **GPIO0IF:** GPIO0 Interrupt Flag bit
Set by the device if the GPIOMODE register is set to normal operation, the GPIO is enabled and configured to input and the level matches with the polarity.

Note 1: CFOMEAS<7:0> indication becomes valid on SFD found.

MRF24XA

REGISTER 2-7: PIE1 (PERIPHERAL INTERRUPT ENABLE 1)

ADDRESS: 0x08

R-0	RW-1	RW-1	R-0	RW-1	RW-1	R-0
r	RDYIE	IDLEIE	r	CALSOIE	CALHAIE	r
bit 7						bit 0

Legend: R = Readable bit W = Writable bit U = Unimplemented bit, read as '0'
 -n = Value at POR '1' = Bit is set '0' = Bit is cleared x = Bit is unknown
 r = Reserved

- bit 7-6 **Reserved:** Maintain as '0'
- bit 5 **RDYIE:** Ready Interrupt Enable bit
This bit masks the RDYIF interrupt bit.
- bit 4 **IDLEIE:** Idle Interrupt Enable bit
This bit masks the IDLEIF interrupt bit.
- bit 3 **Reserved:** Maintain as '0'
- bit 2 **CALSOIE:** Calibration Soft Interrupt Enable bit
This bit masks the CALSOIF interrupt bit.
- bit 1 **CALHAIE:** Calibration Hard Interrupt Enable bit
This bit masks the CALHAIF interrupt bit.
- bit 0 **Reserved:** Maintain as '0'

REGISTER 2-8: PIE2 (PERIPHERAL INTERRUPT ENABLE 2)
ADDRESS: 0x09

R/W-1	R/W-1	R/W-0	R/W-1	R/W-1	R/W-1	R/W-1	R/W-1
TXIE	TXENCIE	TXMAIE	TXACKIE	TXCSMAIE	TXSZIE	TXOVFIE	FRMIE
bit 7							bit 0

Legend: R = Readable bit W = Writable bit -n = Value at POR '1' = Bit is set r = Reserved	U = Unimplemented bit, read as '0' '0' = Bit is cleared x = Bit is unknown
--	--

- bit 7 **TXIE:** Transmit Interrupt Enable bit
This bit masks the TXIF interrupt bit.
- bit 6 **TXENCIE:** Transmit Encryption and Authentication Interrupt Enable bit
This bit masks the TXENCIF interrupt bit.
- bit 5 **TXMAIE:** Transmitter Medium Access Interrupt Enable bit
This bit masks the TXMAIF interrupt bit.
- bit 4 **TXACKIE:** Transmission Unacknowledged Failure Interrupt Enable bit
This bit masks the TXACKIF interrupt bit.
- bit 3 **TXCSMAIE:** Transmitter CSMA Failure Interrupt Enable bit
This bit masks the TXCSMAIF interrupt bit.
- bit 2 **TXSZIE:** Transmit Packet Size Error Interrupt Enable bit
This bit masks the TXSZIF interrupt bit.
- bit 1 **TXOVFIE:** Transmitter Overflow Interrupt Enable bit
This bit masks the TXOVFIF interrupt bit.
- bit 0 **FRMIE:** Frame Format Error Interrupt Enable bit
This bit masks the FRMIF interrupt bit.

MRF24XA

REGISTER 2-9: PIE3 (PERIPHERAL INTERRUPT ENABLE 3)

ADDRESS: 0x0A

R/W-1	R/W-1	R/W-1	R-0	R/W-0	R/W-0	R/W-1	R/W-1
RXIE	RXDECIE	RXTAGIE	r	RXIDENTIE	RXFLTIE	RXOVFIE	STRMIE
bit 7							bit 0

Legend: R = Readable bit W = Writable bit U = Unimplemented bit, read as '0'
-n = Value at POR '1' = Bit is set '0' = Bit is cleared x = Bit is unknown
r = Reserved

- bit 7 **RXIE:** Received Successful Interrupt Enable bit
This bit masks the RXIF interrupt bit.
- bit 6 **RXDECIE:** Receiver Decryption/Authentication Passed Interrupt Enable bit
This bit masks the RXDECIF interrupt bit.
- bit 5 **RXTAGIE:** Receiver Decryption/Authentication Failure Interrupt Enable bit
This bit masks the RXTAGIF interrupt bit.
- bit 4 **Reserved:** Maintain as '0'
- bit 3 **RXIDENTIE:** Received Packet Identical Interrupt Enable bit
This bit masks the RXIDENTIF interrupt bit.
- bit 2 **RXFLTIE:** Received Packet Filtered Interrupt Enable bit
This bit masks the RXFLTIF interrupt bit.
- bit 1 **RXOVFIE:** Receiver Overflow Interrupt Enable bit
This bit masks the RXOVFIF interrupt bit.
- bit 0 **STRMIE:** Receive Stream Time-Out Error Interrupt Enable bit
This bit masks the STRMIF interrupt bit.

REGISTER 2-10: PIE4 (PERIPHERAL INTERRUPT ENABLE 4)
ADDRESS: 0x0B

R/W-0	R/W-0	R/W-1	R/W-1	R/W-1	R/W-0	R/W-0	R/W-0
TXSFDIE	RXSFDIE	ERRORIE	WARNIE	EDCCAIE	GPIO2IE	GPIO1IE	GPIO0IE
bit 7							bit 0

Legend: R = Readable bit	W = Writable bit	U = Unimplemented bit, read as '0'
-n = Value at POR	'1' = Bit is set	'0' = Bit is cleared
r = Reserved		x = Bit is unknown

- bit 7 **TXSFDIE:** Transmit SFD Sent Interrupt Enable bit
This bit masks the TXSFDIF interrupt bit.
- bit 6 **RXSFDIE:** Receive SFD Detected Interrupt Enable bit
This bit masks the RXSFDIF Interrupt Enable.
- bit 5 **ERRORIE:** General Error Interrupt Enable bit
This bit masks the ERRORIF interrupt bit.
- bit 4 **WARNIE:** Warning Interrupt Enable bit
This bit masks the WARNIF interrupt bit.
- bit 3 **EDCCAIE:** Energy Detect/CCA Done Interrupt Enable bit
This bit masks the EDCCAIF interrupt bit.
- bit 2 **GPIO2IE:** GPIO2 Interrupt Enable bit
This bit masks the GPIO2IF interrupt bit.
- bit 1 **GPIO1IE:** GPIO1 Interrupt Enable bit
This bit masks the GPIO1IF interrupt bit.
- bit 0 **GPIO0IE:** GPIO0 Interrupt Enable bit
This bit masks the GPIO0IF interrupt bit.

MRF24XA

REGISTER 2-11: PINCON (PIN CONFIGURATION REGISTER)

ADDRESS: 0x0C

R-0	R/W-1	R-0	R-1	R/W-0000
r	GIE	r	IRQIF	GPIOMODE<3:0>
bit 7				bit 0

Legend: R = Readable bit W = Writable bit U = Unimplemented bit, read as '0'
 -n = Value at POR '1' = Bit is set '0' = Bit is cleared x = Bit is unknown
 r = Reserved

- bit 7 **Reserved:** Maintain as '0'
- bit 6 **GIE:** General Interrupt Enable bit
 This bit enables to output IRQIF on $\overline{\text{INT}}$ pin. Note that the polarity of $\overline{\text{INT}}$ pin is active-low.
- bit 5 **Reserved:** Maintain as '0'
- bit 4 **IRQIF:** Interrupt Request Pending bit
 This bit is the OR relationship of the enabled interrupt flags.
- bit 3-0 **GPIOMODE <3:0>:** GPIO Mode Field bits
 This field enables redefining the functionality of the GPIO pins Encoding:
 11xx = Reserved
 1011 = GPIO pins are used for Receive streaming (RXSTREAM). Pins GPIO<2:0> are used to output {RXWRBUF, BUSRDBUF, RXBUFFUL}
 1010 = GPIO pins are used for Transmit streaming (TXSTREAM). Pins GPIO<2:0> are used to output {TXRDBUF, BUSWRBUF, TXBUFEMPTY}
 1001 = Reserved
 1000 = Reserved
 0111 = Reserved
 0110 = Reserved
 0101 = Intended for supporting Precise Network Time Synchronization (TIMESYN). GPIO<0> is used to output TX, while GPIO<1> to output RX SFD indication pulses. GPIO<2> is used in "NORMAL" operation mode.
 0100 = GPIO pins are used for Radio monitoring (RFMON). Pins GPIO<2:0> are used to output RFOP<2:0>.
 0011 = GPIO pins are used for MAC monitoring (MACMON). Pins GPIO<2:0> are used to output MACOP<3:1>.
 0010 = GPIO pins are used for RXFSM monitoring (RXFSMMON). Pins GPIO<2:0> are used to output receiver state-machine.
 000 = Preamble search
 001 = Hi-rate SFD search
 010 = Mid-rate SFD search
 011 = Low-rate SFD search
 100 = Legacy Length field processing
 101 = Payload processing
 0001 = GPIO pins are used for AGC monitoring (AGCMON). Pins GPIO<2:0> are used to output {AGC-HOLD, GAIN<1:0>} where AGCHOLD is an internal flag set when a receiver detects a preamble and clears when the AGC is set free after the end of the frame.
 0000 = GPIO pins are used as General Purpose I/O's by the host MCU (NORMAL).

REGISTER 2-12: GPIO (GENERAL PURPOSE I/O REGISTER)
ADDRESS: 0x0D

R/W-0	RW-1	RW-1	RW-1	R-0	RW-0	RW-0	R/W-0
GPIOEN	TRISGPIO2	TRISGPIO1	TRISGPIO0	r	GPIO2	GPIO1	GPIO0
bit 7							bit 0

Legend: R = Readable bit	W = Writable bit	U = Unimplemented bit, read as '0'
-n = Value at POR	'1' = Bit is set	'0' = Bit is cleared
r = Reserved		x = Bit is unknown

- bit 7 **GPIOEN:** GPIO Enable bit
This bit enables the GPIO's control, if GPIOMODE is configured into Normal mode.
The other GPIOMODE Configuration automatically controls GPIO pins.
- bit 6 **TRISGPIO2:** Tri-state Control for GPIO 2 Pin bit
If set, the pin is configured into Input mode. Value reads from GPIO2 bit.
If cleared, the pin is configured into Output mode. Value sets through the GPIO2 bit.
- bit 5 **TRISGPIO1:** Tri-state Control for GPIO 1 Pin bit
If set, the pin is configured into Input mode. Value reads from GPIO1 bit.
If cleared, the pin is configured into Output mode. Value sets through the GPIO1 bit.
- bit 4 **TRISGPIO0:** Tri-state Control for GPIO 0 Pin bit
If set, the pin is configured into Input mode. Value reads from GPIO0 bit.
If cleared, the pin is configured into Output mode. Value sets through the GPIO0 bit.
- bit 3 **Reserved:** Maintain as '0'
- bit 2 **GPIO2:** GPIO 2 Value bit
This bit represents the value on the GPIO 2 pin.
- bit 1 **GPIO1:** GPIO 1 Value bit
This bit represents the value on the GPIO 1 pin.
- bit 0 **GPIO0:** GPIO 0 Value bit
This bit represents the value on the GPIO 0 pin.

MRF24XA

REGISTER 2-13: STGPIO (SCHMITT TRIGGER GENERAL PURPOSE I/O REGISTER)

ADDRESS: 0x0E

R-0	RW-0	RW-0	RW-0	R-0	RW-0	RW-0	RW-0
r	GPIO2P	GPIO1P	GPIO0P	r	STENGPIO2	STENGPIO1	STENGPIO0
bit 7							bit 0

Legend: R = Readable bit W = Writable bit U = Unimplemented bit, read as '0'
 -n = Value at POR '1' = Bit is set '0' = Bit is cleared x = Bit is unknown
 r = Reserved

bit 7 **Reserved:** Maintain as '0'

bit 6 **GPIO2P:** GPIO 2 Polarity bit

This bit controls GPIO2IF polarity when configured into Input mode.

1 = Rising edge

0 = Falling edge

bit 5 **GPIO1P:** GPIO 1 Polarity bit

This bit controls GPIO1IF polarity when configured into Input mode.

1 = Rising edge

0 = Falling edge

bit 4 **GPIO0P:** GPIO 0 Polarity bit

This bit controls GPIO0IF polarity when configured into Input mode.

1 = Rising edge

0 = Falling edge

bit 3 **Reserved:** Maintain as '0'

bit 2 **STENGPIO2:** Schmitt Trigger Enable GPIO 2 bit

This bit enables Schmitt-trigger circuit on GPIO 2 pad and turns off by default.

1 = Schmitt trigger enabled

0 = Schmitt trigger disabled

bit 1 **STENGPIO1:** Schmitt Trigger Enable GPIO 1 bit

This bit enables Schmitt-trigger circuit on GPIO 1 pad and turns off by default.

1 = Schmitt trigger enabled

0 = Schmitt trigger disabled

bit 0 **STENGPIO0:** Schmitt Trigger Enable GPIO 0 bit

This bit enables Schmitt-trigger circuit on GPIO 0 pad and turns off by default.

1 = Schmitt trigger enabled

0 = Schmitt trigger disabled

REGISTER 2-14: PULLGPIO (PULL CONTROL GENERAL PURPOSE I/O REGISTER)

ADDRESS: 0x0F

R-0	RW-0	RW-0	RW-0	R-0	RW-1	RW-1	RW-1
r	PULLDIR GPIO2	PULLDIR GPIO1	PULLDIR GPIO0	r	PULLEN GPIO2	PULLEN GPIO1	PULLEN GPIO0
bit 7				bit 0			

Legend: R = Readable bit	W = Writable bit	U = Unimplemented bit, read as '0'
-n = Value at POR	'1' = Bit is set	'0' = Bit is cleared
r = Reserved		x = Bit is unknown

bit 7 **Reserved:** Maintain as '0'

bit 6 **PULLDIRGPIO2:** Pull Direction on GPIO 2 bit

These bits control the 75 kOhm weak-pull circuit direction on GPIO 2 pin.

1 = Pull-up
0 = Pull-down

bit 5 **PULLDIRGPIO1:** Pull Direction on GPIO 1 bit

These bits control the 75 kOhm weak-pull circuit direction on GPIO 1 pin.

1 = Pull-up
0 = Pull-down

bit 4 **PULLDIRGPIO0:** Pull Direction on GPIO 0 bit

These bits control the 75 kOhm weak-pull circuit direction on GPIO 0 pin.

1 = Pull-up
0 = Pull-down

bit 3 **Reserved:** Maintain as '0'

bit 2 **PULLENGPIO2:** Pull enable on GPIO 2 bit

This bit enables the weak-pull circuit in GPIO 2 pin. Note that when pin is configured to output, weak-pull circuit is automatically disabled.

1 = Pull enabled
0 = Pull disabled

bit 1 **PULLENGPIO1:** Pull enable on GPIO 1 bit

This bit enables the weak-pull circuit in GPIO 1 pin. Note that when pin is configured to output, weak-pull circuit is automatically disabled.

1 = Pull enabled
0 = Pull disabled

bit 0 **PULLENGPIO0:** Pull enable on GPIO 0 bit

This bit enables the weak-pull circuit in GPIO 0 pin. Note that when pin is configured to output, weak-pull circuit is automatically disabled.

1 = Pull enabled
0 = Pull disabled

MRF24XA

REGISTER 2-15: MACCON1 (MAC CONTROL 1 REGISTER)

ADDRESS: 0x10

R/W-00	R/W-001	R/W-1	R/W-0	R/W-0
TRXMODE<1:0>	ADDRSZ<2:0>	CRCSZ	FRMFMT	SECFLAGOVR
bit 7				bit 0

Legend: R = Readable bit W = Writable bit U = Unimplemented bit, read as '0'			
-n = Value at POR	'1' = Bit is set	'0' = Bit is cleared	x = Bit is unknown
r = Reserved			

- bit 7-6 **TRXMODE<1:0>**: TX/RX Mode Select Field bits
- 11 = Reserved
 - 10 = *TX-Streaming mode*. In this mode, use both buffers for packet transmission. When issuing TRXMODE = 10, RXEN is cleared. SPI addresses 0x200 to 0x27F access Buffer 1 or Buffer 2 in alternation. Access to 0x37F through 0x383 has non-defined effect.
 - 01 = *RX-Streaming mode*. In this mode, use both buffers for packet reception. When issuing TRXMODE = 01, TXST and TXENC/RXDEC bits are cleared and RXEN is set. SPI addresses 0x300 to 0x383 access Buffer 1 or Buffer 2 in alternation. In this mode, Proprietary mode packets other than streaming type are automatically discarded. Access to 0x200 through 0x283 has non-defined effect.
 - 00 = *Packet mode*. In this mode, Buffer 1 is used as a Transmit while Buffer 2 as a Receive packet buffer. SPI addresses from 0x200 to 0x27F access Buffer 1. SPI addresses 0x300 to 0x383 access Buffer 2. TRXMODE = 00 is mandatory when FRMFMT = 0.
- bit 5-3 **ADDRSZ<2:0>**: Source/Destination Address Size Field bits^(1, 2)
- The size of the Source and Destination addresses for Proprietary packet.
- Note that this field has no effect on the processing IEEE 802.15.4 frames.
- 111 = 8 octets
 - 110 = 7 octets
 - 101 = 6 octets
 - 100 = 5 octets
 - 011 = 4 octets
 - 010 = 3 octets
 - 001 = 2 octets
 - 000 = 1 octet
- bit 2 **CRCSZ**: CRC Size bit
- This bit indicates the size of the CRC field in each packet
- 1 = 2 octets
 - 0 = 0 octet
- bit 1 **FRMFMT**: MAC Frame Format bit adopted by the network⁽³⁾
- This bit determines the frame format used in the network.
- 1 = Proprietary
 - 0 = IEEE 802.15.4 standard compliant.

- Note 1:** Zero-length address occurs when the corresponding DAddrPrsnt/SAddrPrsnt bits of the packet Frame Control field are set to '0'.
- Note 2:** Use ADDR SZ field while receiving and transmitting, and must not be modified while RXEN or TXST is set.
- Note 3:** Use FRMFMT field while receiving and transmitting, and must not be modified while RXEN or TXST is set. In Debug mode, use this register bit to determine the frame format for both TX/RX frame in the packet buffers.

REGISTER 2-15: MACCON1 (MAC CONTROL 1 REGISTER) (CONTINUED)**ADDRESS: 0x10**

bit 0

SECFLAGOVR: Security Flag Override bit

The user can override security flags used in the CCM-CTR, CBC-MAC and CCM operation, otherwise the device uses the standard (2003/2006) definition.

- Note 1:** Zero-length address occurs when the corresponding DAddrPrsnt/SAddrPrsnt bits of the packet Frame Control field are set to '0'.
- 2:** Use ADDRSZ field while receiving and transmitting, and must not be modified while RXEN or TXST is set.
- 3:** Use FRMFMT field while receiving and transmitting, and must not be modified while RXEN or TXST is set. In Debug mode, use this register bit to determine the frame format for both TX/RX frame in the packet buffers.

MRF24XA

REGISTER 2-16: MACCON2 (MAC CONTROL 2 REGISTER)

ADDRESS: 0x11

R/W-0000		R/W/HS-0000	
CHANNEL<3:0>		SECSUITE<3:0>	
bit 7			bit 0

Legend: R = Readable bit W = Writable bit U = Unimplemented bit, read as '0'
-n = Value at POR '1' = Bit is set '0' = Bit is cleared x = Bit is unknown
r = Reserved

bit 7-4 **CHANNEL<3:0>**: TX/RX operating channel bits

These register bits are used as the current operating channel for TX/RX operation⁽¹⁾.

0x0 = Channel 11

0x1 = Channel 12

•

•

•

0xF = Channel 26

bit 3-0 **SECSUITE<3:0>**: Security suite bits⁽²⁾

1111 = AES-CBC-MAC-32 (Authentication with a 32-bit MAC, but no Encryption/Decryption)

1110 = AES-CBC-MAC-64 (Authentication with a 64-bit MAC, but no Encryption/Decryption)

1101 = AES-CBC-MAC-128 (Authentication with a 128-bit MAC, but no Encryption/Decryption)

1100 = Reserved

1011 = Reserved

1010 = Reserved

1001 = AES-CTR (Encryption/Decryption, but no Authentication)

1000 = AES-ECB (Encryption only)

0111 = AES-ENC-MIC-128 (Authentication with a 128-bit MAC and Encryption/Decryption)

0110 = AES-ENC-MIC-64 (Authentication with a 64-bit MAC and Encryption/Decryption)

0101 = AES-ENC-MIC-32 (Authentication with a 32-bit MAC and Encryption/Decryption)

0100 = AES-ENC (Encryption/Decryption, but no Authentication)

0011 = AES-MIC-128 (Authentication with a 128-bit MAC, but no Encryption/Decryption)

0010 = AES-MIC-64 (Authentication with a 64-bit MAC, but no Encryption/Decryption)

0001 = AES-MIC-32 (Authentication with a 32-bit MAC, but no Encryption/Decryption)

0000 = No security services enabled, or security is handled by upper protocol layers; ignore the setting of the SecEn bit (if value is '0')

Note 1: Use this field while receiving and transmitting, and must not be modified while RXEN or TXST is set.

Note 2: In 15.4-2006 Standard mode MAC layer security processing, the Register field is automatically set based on the SecLvl bits of the AuxSecHdr Control field.

REGISTER 2-17: TXCON (TRANSMIT CONTROL REGISTER)
ADDRESS: 0x12

RW/HC-0	R/W-0	RW/HC-0	R/HS/HC-1	RW-1	RW-011
TXST	DTSM	TXENC	TXBUFEMPTY	CSMAEN	DR<2:0>
bit 7					bit 0

Legend: R = Readable bit	W = Writable bit	U = Unimplemented bit, read as '0'	
-n = Value at POR	'1' = Bit is set	'0' = Bit is cleared	x = Bit is unknown
r = Reserved	HC = Hardware Clear	HS = Hardware Set	

bit 7

TXST: Transmit Start bit

 1 = Starts the transmission of the next TX packet^(1, 2)

0 = Termination of current TX operation, which may result in the transmission of an incomplete packet

Hardware Clear:

- Once the packet is successfully transmitted (including all attempted retransmissions, if any), the hardware clears this bit and sets the TXIF and IDLEIF.
- If the packet transmission fails due to a CSMA failure, this bit is cleared, and TXCSMAIF is set.
- If Acknowledge is requested (AckReq bit field in the transmitted frame is set) and not received after the configured number of retransmissions (TXRETMCNT), then TXST bit is cleared, and TXACKIF is set.
- In TX-Streaming mode (TRXMODE), TXST is set even when it is already set, resulting in a posted start. When the current TX operation completes, the posted start immediately starts afterward. Clearing of the TXST bit clears both the current and the posted (pending) TX starts. TXOVFIF is set when TXST = 1, a posted start is present and a Host Controller write to the packet buffer occurs. Outside of TX-Streaming mode, writes to TXST when TXST is already set is ignored.

Clearing this bit aborts the current operation in these cases:

- When transmitting a packet in Packet mode or in TX-Streaming mode
- When waiting for an ACK packet after a transmission
- During the CSMA CA algorithm
- When transmitting a repeated frame

This field is read at any time to determine if TX operation is in progress.

bit 6

DTSM: Do Not Touch Security Materials bit⁽²⁾

1 = Device does not change the security material configured by the host MCU

0 = Device tries to configure the security material related registers

MCU must fill the following registers: SECNONCE, SECHDRINDX, SECPAYINDX and SECEND-INDX.

bit 5

TXENC: TX Encryption

Setting this bit starts the TX security processing (authentication or encryption, or both) of the packet in the buffer it was last written. TXENC is cleared and TXENCIF is set when the processing is complete. TXENC must be issued when NWK layer security needs to be processed. 802.15.4-2003/2006 MAC layer security operation is automatically performed when TXST bit is set. Note that this field must not be modified while TXST is set.

Note 1: Transmission may include automatic security processing, CRC appending, CSMA-CA channel access, Acknowledge reception and retransmissions depending on the register Configuration and the Frame Control field of the frame to be transmitted.

2: DTSM has no relevance in reception as the host can always reconfigure the security material before setting RXDEC.

MRF24XA

REGISTER 2-17: TXCON (TRANSMIT CONTROL REGISTER) (CONTINUED)**ADDRESS: 0x12**

bit 4

TXBUFEMPTY: TX Buffer Empty bit

TXBUFEMPTY = 1 indicates that the Host MCU can safely start writing a new frame to the buffer without overwriting any content that is in use. Writing a single byte to the buffer clears this bit. TXBUFEMPTY = 0 does not prevent the host from writing further bytes to the buffer. TXBUFEMPTY is set by the device when transmission is complete.

1 = MCU can safely start writing a new frame to the buffer

0 = Buffer is full, or being written to

When TRXMODE = 00:

Packet mode is configured then TXBUFEMPTY is set at the same time as TXST is cleared and an interrupt is generated. Therefore, this bit provides no extra information.

When TRXMODE = 10:

TX-Streaming mode is configured then TXBUFEMPTY is set at the same time as one of the buffers becomes free, while TXST may be set. Therefore, the host MCU uses TXBUFEMPTY to ensure that the next frame starts loading to the buffers, without overwriting a packet being sent (TXOVFIF).

bit 3

CSMAEN: CSMA-CA Enable bit

This bit enables CSMA-CA algorithm before transmission.

1 = CSMA-CA enabled

0 = CSMA-CA disabled

bit 2-0

DR<2:0>: Transmit Data Rate Field bits

111 = Reserved

110 = 2 Mbps

101 = 1 Mbps

100 = 500 kbps

011 = 250 kbps

010 = 125 kbps

001 = Reserved

000 = Reserved

When transmitting an Auto-ACK frame with Adaptive Data Rate in response to a received frame, the AckDataRate field in the received frame automatically determines the data rate of the PHY, and not by this Register field. In all other cases, use this Register field as the current PHY data rate when transmitting.

The PHY automatically determines the data rate for all received frames regardless of this Register field and the Adaptive Data Rate Configuration. For more information, refer to [Register 2-43](#).

- Note 1:** Transmission may include automatic security processing, CRC appending, CSMA-CA channel access, Acknowledge reception and retransmissions depending on the register Configuration and the Frame Control field of the frame to be transmitted.
- 2:** DTSM has no relevance in reception as the host can always reconfigure the security material before setting RXDEC.

REGISTER 2-18: RXACKWAIT (RX ACKNOWLEDGE WAIT REGISTER) ADDRESS: 0x13

R/W-0	R/W-1	R/W/HC-1	R/W-0	R/W-0	R/W-0	R/W-0	R/W-0
RXACKWAIT<7:0>							
bit 7							bit 0

Legend: R = Readable bit W = Writable bit U = Unimplemented bit, read as '0'
 -n = Value at POR '1' = Bit is set '0' = Bit is cleared x = Bit is unknown
 r = Reserved HC = Hardware Clear

bit 7-0 **RXACKWAIT<7:0>**: Auto Acknowledge Wait Field bits
 This field indicates the number of Base time units that the device must Wait after receiving a packet with AckReq = 1, before transmitting the corresponding ACK packet. This field is only used when AUTO-ACKEN = 1. For more information on Base time units, see **Section 4.1 "MAC Architecture"**.

REGISTER 2-19: RETXCOUNT (RETRANSMISSION COUNT REGISTER) ADDRESS: 0x14

RW-0011		R-0000
RETXMCNT<3:0>	RETXCCNT<3:0>	
bit 7		bit 0

Legend: R = Readable bit W = Writable bit U = Unimplemented bit, read as '0'
 -n = Value at POR '1' = Bit is set '0' = Bit is cleared x = Bit is unknown
 r = Reserved

bit 7-4 **RETXMCNT<3:0>**: Retransmission Max Count Field bits^(1, 2)
 The maximum number of retries allowed after a transmission failure.
 1111 = 15 retries
 •
 •
 •
 0001 = 1 retry
 0000 = Transmitter does not Wait for ACK

bit 3-0 **RETXCCNT<3:0>**: Retransmission Current Count Field bits
 This read-only field indicates the current retransmit attempt number. When RETXCCNT<3:0> = RETXMCNT<3:0> and the TX attempt fails, the transmission is aborted, generating TXACKIF interrupt.

Note 1: Use this field during transmission, and must be unmodified while TXST is set.

MRF24XA

REGISTER 2-20: RXCON1 (MAC RECEIVE CONTROL 1 REGISTER)

ADDRESS: 0x15

R/W/HC/HS-0	R/W-0	R/W/HC-0	R/W-0	R/W-0	R/W-0	R/W-0	R-0
RXEN	NOPA	RXDEC	RSVLQIEN	RSVRSSIEN	RSVCHDREN	RSVCFOEN	r
bit 7							bit 0

Legend: R = Readable bit	W = Writable bit	U = Unimplemented bit, read as '0'	
-n = Value at POR	'1' = Bit is set	'0' = Bit is cleared	x = Bit is unknown
r = Reserved	HC = Hardware Clear	HS = Hardware Set	

- bit 7 **RXEN:** Receive Enable Field bit
 This bit enables/disables the packet reception. If an RX packet is currently being received, clearing this bit causes that packet to be discarded.
 1 = RX enabled
 0 = RX disabled
 Hardware clear/set when:
- Cleared when TRXMODE is set to TX-Streaming mode
 - Set when TRXMODE is set to RX-Streaming mode
- Clearing this bit aborts the current operation in the following cases:
- Receiving a packet in Packet mode or in RX-Streaming mode
- Changes to most RX related settings must be only done when this bit is cleared.
 Note that the clear channel assessment (CSMAEN) and ACK-frame reception does not require RXEN = 1, as the device turns the radio into RX when needed, irrespective of the status of the RXEN bit.
- bit 6 **NOPA:** No Parsing bit
 This bit disables packet parsing. Only CRC is checked, if it is enabled. This feature is useful in Sniffer mode.
 1 = Disable packet parsing
 0 = Enable packet parsing
- bit 5 **RXDEC:** RX Decryption bit
 Setting this bit starts the RX security processing (authentication or decryption, or both) on the last received packet.
 1 = RX security processing started/in process. RXDECIF or RXTAGIF is set.
 0 = RX security processing inactive or complete
 This bit clears itself after RX decryption is completed.
- bit 4 **RSVLQIEN:** Receive Status Vector LQI Enable bit
 If bit is set, the measured Link Quality is appended after the received frame in the packet buffer.
 1 = Append LQI field
 0 = Do not append LQI field
- bit 3 **RSVRSSIEN:** Receive Status Vector RSSI Enable bit
 If bit is set, the measured RSSI is appended after the received frame in the packet buffer.
 1 = Append RSSI field
 0 = Do not append RSSI field
- bit 2 **RSVCHDREN:** Receive Status Vector Channel/MAC Type/Data Rate Enable bit
 If bit is set, Channel, MAC type and Data Rate Configurations used with the received frame are appended after the received frame in the packet buffer, using the encoding specified for CH<3:0>, FRMFMT and DR<2:0> (concatenated in this order when most significant bit (MSb) is first).
 1 = Append Channel, MAC type and Data Rate fields
 0 = Do not append Channel, MAC type and Data Rate fields

REGISTER 2-20: RXCON1 (MAC RECEIVE CONTROL 1 REGISTER) (CONTINUED)

ADDRESS: 0x15

- bit 1 **RSVCFOEN:** Receive Status Vector CFO Enable bit
 If bit is set, the estimated Carrier Frequency Offset of the received frame is appended after the received frame in the packet buffer, using the same encoding as CFOMEAS register.
 1 = Append CFO estimation
 0 = Do not append estimated CFO
- bit 0 **Reserved:** Maintain as '0'

REGISTER 2-21: RXCON2 (MAC RECEIVE CONTROL 2 REGISTER)

ADDRESS: 0x16

R/C/HS-0	R/W-0	R-0	R/W-0	R/W-0	R/W-0	R/W-0	R/W-0
RXBUFFUL	IDENTREJ	ACKRXFP	ACKTXFP	AUTORPTEN	AUTOACKEN	ADPTCHEN	ADPTDREN
bit 7							bit 0

Legend: R = Readable bit W = Writable bit U = Unimplemented bit, read as '0'
-n = Value at POR '1' = Bit is set '0' = Bit is cleared x = Bit is unknown
r = Reserved

- bit 7 **RXBUFFUL:** RX Buffer Full bit
 Host MCU clears this bit to indicate that the RX packet is processed. If this bit is uncleared before the next valid RX packet is detected (packet is not a duplicate, pass RX filter, and so on), then the device sets RXOVFIF and the buffer content is unmodified, where RXBUFFUL = 1 locks write access by a new frame. Moreover, the host can both read and write to the buffer or perform security processing.
 In TRXMODE = 00 (PACKET) mode:
 1 = Receive buffer content is yet to be read by the host or processed, and cannot be overwritten by a new frame
 0 = Receive buffer is free for receiving a new frame
 In TRXMODE = 01 (RX-STREAMING) mode:
 1 = Current buffer being read from the bus contains a valid RX Packet
 0 = Current buffer being read from the bus is empty
- bit 6 **IDENTREJ:** Reject Identical Packet bit
 Setting this bit enables the user to reject an incoming packet, in case its source address and sequence number is the same as the previously received packet.
 This bit is used whenever a packet is received and ACK is transmitted, but the ACK is never received that the sender resends the TX packet. When this happens, triggers for RXIF is avoided for the second time for the same packet, thus, the second packet is ignored.
 This bit is also used when a packet is repeated and the next repeater repeats the same packet back. This packet is received, but ignored.
 1 = Any packet received with the same source address and sequence number as the last packet successfully received is discarded and RXIDNTIF is thrown
 0 = Duplicated packets are processed further same as non-duplicated packets

- Note 1:** Use ADPTCHEN field while receiving and transmitting a packet, and must be unmodified while RXEN or TXST is set.
- Note 2:** Use ADPTDREN field while receiving and transmitting a packet, and must be unmodified while RXEN or TXST is set.

MRF24XA

REGISTER 2-21: RXCON2 (MAC RECEIVE CONTROL 2 REGISTER) (CONTINUED)

ADDRESS: 0x16

- bit 5 **ACKRXFP:** ACK RX Frame Pending bit
This read-only Status bit reflects the value of the FrameCtrl (FramePend) bit in the last received 802.15.4 compatible ACK frame.
- bit 4 **ACKTXFP:** ACK TX Frame Pending bit
The value of this bit is transmitted in the FrameCtrl (FramePend) bit slot when the MAC sends out an ACK packet in 802.15.4 Compatibility mode.
- bit 3 **AUTORPTEN:** Auto-Repeat Enable bit
If this bit is set, the MAC automatically transmits a packet whenever a packet is received, and its Repeat bit is set.
1 = Auto-Repeat feature is enabled
0 = Auto-Repeat feature is disabled
- bit 2 **AUTOACKEN:** Auto-Acknowledge Enable bit
If this bit is set, then the device automatically transmits an ACK packet whenever a packet is received, and its AckReq bit is set.
1 = Automatic Acknowledge processing enabled
0 = Automatic Acknowledge processing disabled
- bit 1 **ADPTCHEN:** Adaptive Channel Enable bit⁽¹⁾
Setting this bit enables the MAC in Proprietary mode to set the transmitting channel for the ACK packet based on the AckInfo field (Proprietary packet) of the received packet, rather than the CH<3:0> register bits.
1 = Adaptive Channel feature is enabled
0 = Adaptive Channel feature is disabled
This feature is also known as Channel Agility. For more information, see **Section 7.1 “Channel Agility”**.
- bit 0 **ADPTDREN:** Adaptive Data Rate Enable bit⁽²⁾
Setting this bit enables the MAC in Proprietary mode to set the transmission data rate for the ACK packet based on the AckInfo field (Proprietary packet) of the received packet, rather than the DR<2:0> register bits.
1 = Adaptive Data Rate feature is enabled
0 = Adaptive Data Rate feature is disabled
This feature is also known as Channel Agility. For more information, see **Section 7.1 “Channel Agility”**.

Note 1: Use ADPTCHEN field while receiving and transmitting a packet, and must be unmodified while RXEN or TXST is set.

Note 2: Use ADPTDREN field while receiving and transmitting a packet, and must be unmodified while RXEN or TXST is set.

REGISTER 2-22: TXACKTO (TX ACKNOWLEDGE TIME-OUT REGISTER)ADDRESS: **0x17**

RW-10000000	
TXACKTO<7:0>	
bit 7	bit 0

Legend: R = Readable bit W = Writable bit U = Unimplemented bit, read as '0'
-n = Value at POR '1' = Bit is set '0' = Bit is cleared x = Bit is unknown
r = Reserved

bit 7-0 **TXACKTO<7:0>**: TX Acknowledge Time-Out Field bits⁽¹⁾

The maximum time in Base time units that the device must Wait for receiving an ACK packet.

0x00 = Wait 1 Base time unit before retransmitting, implying that the device continually retransmits **RETXMCNT<3:0>** times. For more information on Base time units, see **Section 4.1 "MAC Architecture"**.

0x01 = Wait 1 Base time unit before retransmitting

-
-
-

0x7F = Wait 127 Base time units before retransmitting

Note 1: Use TXACKTO field during transmission, and it must be unmodified while TXST is set.

MRF24XA

REGISTER 2-23: RXFILTER (RX FILTER REGISTER)

ADDRESS: 0x18

R/W-0	R/W-1	R/W-1	R/W-1	R/W-1	R/W-1	R/W-1	R/W-1
PANCRDN	CRCREJ	CMDREJ	DATAREJ	UNIREJ	NOTMEREJ	BCREJ	NSTDREJ
bit 7							bit 0

Legend: R = Readable bit W = Writable bit U = Unimplemented bit, read as '0'
-n = Value at POR '1' = Bit is set '0' = Bit is cleared x = Bit is unknown
r = Reserved

- bit 7 **PANCRDN:** PAN Coordinator bit
 Setting this bit enables the node to accept DAMode = 00 type packets if it is a CMD or DATA frame.
 1 = Disable rejection
 0 = Reject all DATA and CMD packets when DAMode = 00
- bit 6 **CRCREJ:** CRC Error Reject Enable bit⁽¹⁾
 Setting this bit enables the user to reject all packets that contains an invalid CRC, provided that it is present (CRCSZ = 1). Clearing this bit enables the user to accept all packets that contains an invalid CRC, provided that it is present (CRCSZ = 1), skipping any further filtering. When CRC is not present then this bit has no effect (CRCSZ = 0).
 1 = Reject all packets having an invalid CRC
 0 = Accept all packets having an invalid CRC without further filtering
- bit 5 **CMDREJ:** Command Frame Reject Enable bit
 Setting this bit enables the user to reject all packets with FrameCtrl (Type) equal to Command.
 1 = Reject all Command packets
 0 = Disable Command Frame Rejection
- bit 4 **DATAREJ:** Data Frame Reject Enable bit
 Setting this bit enables the user to reject all packets with FrameCtrl (Type) equal to Data.
 1 = Reject all Data packets
 0 = Disable Data Frame Rejection
- bit 3 **UNIREJ:** Unicast Reject Enable bit⁽²⁾
 Setting this bit enables the user to reject all unicast packets as in:
802.15.4 Mode: PAN Identifier matches with the PANID<15:0> or 0xFFFF, and Destination Address matches the address in the ADDR<63:0> or SHADDR<15:0> register, which the DAMode selects.
Proprietary Mode: Destination Address matches the address in ADDR<ADDRSZ<2:0>*8-1:0> register, provided that DAddrPrsnt Frame Control field is set⁽¹⁾.
 1 = Reject all Unicast packets addressed to this node
 0 = Disable Unicast Rejection

- Note 1:** In Proprietary mode (FRMFMT = 1), when CRCREJ = 1 is used to reject unicast frames not addressed to this node. NOTMEREJ = 1 does not reject these frames.
- 2:** UNIREJ does not affect the frames using implied destination addressing in 802.15.4 mode and inferred destination addressing in Proprietary mode.
- 3:** NOTMEREJ does not affect the frames using implied destination addressing in 802.15.4 mode and inferred destination addressing in Proprietary mode.
- 4:** NSTDREJ does not affect the Proprietary frames in Proprietary mode.

REGISTER 2-23: RXFILTER (RX FILTER REGISTER) (CONTINUED)**ADDRESS: 0x18**

- bit 2 **NOTMEREJ:** Not Me Unicast Reject Enable bit⁽³⁾
Setting this bit enables the user to reject all unicast packets as in:
802.15.4 Mode: Destination PAN Identifier does not match PANID<15:0> and is not 0xFFFF (broadcast) or Destination Address does not match the address in the ADDR<63:0> register or the SHADDR<15:0> register, which the DAMode selects.
Proprietary Mode: Destination Address matches the address in ADDR<ADDRSZ<2:0>*8-1:0> register, provided that DAddrPrsnt Frame Control field is set⁽¹⁾.
1 = Reject all Unicast packets NOT addressed to this node
0 = Disable Not Me Unicast Rejection Filtering
- bit 1 **BCREJ:** Broadcast Rejection bit
802.15.4 Mode: Setting this bit enables the user to reject all Broadcast packets of type Data or Command. A Data or Command packet is broadcast when Short Destination Addressing is used (DAMode = 10) and Short Address is equal 0xFFFF.
Proprietary Mode: Setting this bit enables the user to reject all Broadcast packets of type Data or Command (or Streaming). A packet is broadcast when FrameCtrl[Broadcast] is set.
1 = Reject Broadcast Packets
0 = Disable Broadcast Rejection
- bit 0 **NSTDREJ:** Non-Standard Frame Reject bit⁽⁴⁾
This bit enables the user to reject all 802.15.4 frames having 01 for the DAMode or SAMode fields or having the MSb (bit 2) in the Type field set (1) or having the MSb (bit 1) in the Frame Version field set to⁽¹⁾.
1 = Reject all Non-Standard 802.15.4 packets
0 = Disable Non-Standard Rejection

- Note 1:** In Proprietary mode (FRMFMT = 1), when CRCREJ = 1 is used to reject unicast frames not addressed to this node. NOTMEREJ = 1 does not reject these frames.
- 2:** UNIREJ does not affect the frames using implied destination addressing in 802.15.4 mode and inferred destination addressing in Proprietary mode.
- 3:** NOTMEREJ does not affect the frames using implied destination addressing in 802.15.4 mode and inferred destination addressing in Proprietary mode.
- 4:** NSTDREJ does not affect the Proprietary frames in Proprietary mode.

MRF24XA

REGISTER 2-24: TMRCON (TIMER CONTROL REGISTER)

ADDRESS: 0x19

RW-100		RW-00010	
BOMCNT<2:0>		BASETM<4:0>	
bit 7		bit 0	

Legend: R = Readable bit W = Writable bit U = Unimplemented bit, read as '0'
-n = Value at POR '1' = Bit is set '0' = Bit is cleared x = Bit is unknown
r = Reserved

bit 7-5 **BOMCNT<2:0>**: CSMA-CA Back-off Maximum Count bits

The maximum number of back-off attempts the CSMA-CA algorithm attempts before declaring a channel access failure.

111 = Reserved
110 = Reserved
101 = 5 attempts
100 = 4 attempts
011 = 3 attempts
010 = 2 attempts
001 = 1 attempts
000 = 0 attempt

bit 4-0 **BASETM<4:0>**: Base Time Field bits

The number of 1 μ s clock cycles that a Base time unit represents in all register settings. For more information on Base time units, see **Section 4.1 "MAC Architecture"**.

REGISTER 2-25: CSMABE (CSMA-CA BACK-OFF EXPONENT CONTROL REGISTER)

ADDRESS: **0x1A**

RW-0101	RW-0011
MAXBE<3:0>	MINBE<3:0>
bit 7	bit 0

Legend: R = Readable bit W = Writable bit U = Unimplemented bit, read as '0'
 -n = Value at POR '1' = Bit is set '0' = Bit is cleared x = Bit is unknown
 r = Reserved

bit 7-4 **MAXBE<3:0>:** CSMA-CA Back-off Maximum Count Field bits

The maximum value of the Back-off exponent (BE), in the CSMA-CA algorithm. The back-off time is $(2^{BE}-1)$ units.

1111 = Reserved

-
-
-

1001 = Reserved

1000 $2^8-1 = 255$ maximum units of back-off time

-
-
-

0000 $2^0-1 =$ No back-off time

bit 3-0 **MINBE<3:0>:** CSMA-CA Back-off Minimum Count bits

The minimum value of the back-off exponent (BE), in the CSMA-CA algorithm. The back-off time is $(2^{BE}-1)$ units.

1111 = Reserved

-
-
-

1001 = Reserved

1000 $2^8-1 = 255$ maximum units of back-off time

-
-
-

0000 $2^0-1 =$ No back-off time

MRF24XA

REGISTER 2-26: BOUNIT (BACK-OFF TIME UNIT REGISTER)

ADDRESS: 0x1B

RW-10100000	
BOUNIT<7:0>	
bit 7	bit 0

Legend: R = Readable bit W = Writable bit U = Unimplemented bit, read as '0'
-n = Value at POR '1' = Bit is set '0' = Bit is cleared x = Bit is unknown
r = Reserved

bit 7-0 **BOUNIT<7:0>**: CSMA-CA Back-off Period Unit Field bits

The number of Base time units for the basic back-off time unit used by CSMA-CA algorithm.

11111111 = 256 Base time units

•
•
•

00000000 = 1 Base time unit

REGISTER 2-27: STRMTOH/STRMTOL (STREAM TIME-OUT REGISTER) ADDRESS: 0x1C – 0x1D

RW-11111111	
STRMTO<15:8>	
bit 15	bit 8

RW-11111111	
STRMTO<7:0>	
bit 7	bit 0

Legend: R = Readable bit W = Writable bit U = Unimplemented bit, read as '0'
-n = Value at POR '1' = Bit is set '0' = Bit is cleared x = Bit is unknown
r = Reserved

bit 15-0 **STRMTO<15:0>**: Stream Time-Out bits

The STRMTO<15:0> bits indicate the maximum number of allowed Base time units between the end of one RX Stream packet and the successful reception of the next. If no RX Stream packet is successfully received within this time, STRMIF is set.

REGISTER 2-28: OFFTM (OFF-TIMER REGISTER)ADDRESS: **0x1E**

RW-00000000	
OFFTM<7:0>	
bit 7	bit 0

Legend: R = Readable bit W = Writable bit U = Unimplemented bit, read as '0'
-n = Value at POR '1' = Bit is set '0' = Bit is cleared x = Bit is unknown
r = Reserved

bit 7-0 **OFFTM<7:0>**: OFF-Timer Field bitsThis value sets the minimum PLL OFF time in 1 μ s resolution.

Minimum OFF Time = OFFTM<7:0> * 32

If this register is set to 0xFF, PLL remains off.

MRF24XA

REGISTER 2-29: ADDR (ADDRESS REGISTER)

ADDRESS: 0x1F – 0x26

RW-00000000	
ADDR<63:56>	
bit 63	bit 56

RW-00000000	
ADDR<55:48>	
bit 55	bit 48

RW-00000000	
ADDR<47:40>	
bit 47	bit 40

RW-00000000	
ADDR<39:32>	
bit 39	bit 32

RW-00000000	
ADDR<31:24>	
bit 31	bit 24

RW-00000000	
ADDR<23:16>	
bit 23	bit 16

RW-00000000	
ADDR<15:8>	
bit 15	bit 8

RW-00000000	
ADDR<7:0>	
bit 7	bit 0

Legend: R = Readable bit W = Writable bit U = Unimplemented bit, read as '0'
-n = Value at POR '1' = Bit is set '0' = Bit is cleared x = Bit is unknown
r = Reserved

bit 63-0 **ADDR<63:0>**: Long Address Field bits

Current device's long address (LSB stored). For Proprietary frames, the number of address bytes is defined in ADDR SZ<2:0>. For addresses less than 8 octets, use the least significant bits of this register.

REGISTER 2-30: SHADDRH/SHADDRL (SHORT ADDRESS REGISTER) ADDRESS: 0x27 – 0x28

RW-00000000	
SHADDR<15:8>	
bit 15	bit 8

RW-00000000	
SHADDR<7:0>	
bit 7	bit 0

Legend: R = Readable bit	W = Writable bit	U = Unimplemented bit, read as '0'
-n = Value at POR	'1' = Bit is set	'0' = Bit is cleared
r = Reserved		x = Bit is unknown

bit 15-0 **SHADDR<15:0>**: Short Address Field bits
 Current device's short address (LSB stored). Only used in 802.15.4 mode.

REGISTER 2-31: PANIDH/PANIDL (PAN IDENTIFIER REGISTER) ADDRESS: 0x29 – 0x2A

RW-00000000	
PANID<15:8>	
bit 15	bit 8

RW-00000000	
PANID<7:0>	
bit 7	bit 0

Legend: R = Readable bit	W = Writable bit	U = Unimplemented bit, read as '0'
-n = Value at POR	'1' = Bit is set	'0' = Bit is cleared
r = Reserved		x = Bit is unknown

bit 15-0 **PANID<15:0>**: PAN Identifier Field bits
 Current device's PAN Identifier (LSB stored). Only used in 802.15.4 mode.

MRF24XA

REGISTER 2-32: SECHDRINDX (SECURITY HEADER INDEX REGISTER)

ADDRESS: **0x2B**

R-0	RW/HS-0000000
r	SECHDRINDX<6:0>
bit 7	bit 0

Legend: R = Readable bit W = Writable bit U = Unimplemented bit, read as '0'
-n = Value at POR '1' = Bit is set '0' = Bit is cleared x = Bit is unknown
r = Reserved HS = Hardware Set

bit 7 **Reserved:** Maintain as '0'

bit 6-0 **SECHDRINDX<6:0>:** Security Header Index Field bits

This field defines the portion of the header which performs the authentication operations.

For MAC layer security, SECHDRINDX<6:0> is defined as the address offset of the MAC header from the beginning of the frame, as stored in the buffer (0 = Length field, 1 = FrameCtrl field, and so on), and is automatically loaded for both 802.15.4 and Proprietary frames⁽¹⁾.

For Network layer security, SECHDRINDX<6:0> is defined as the address offset of the Network Header from the beginning of the frame and the Host Controller loads it only for 802.15.4 frames. Note that for Proprietary frames, the MAC automatically loads it.

Note 1: Setting the DTSM bit disables the automatic computation of this field in TX mode.

REGISTER 2-33: SECPAYINDX (SECURITY PAYLOAD INDEX REGISTER)

ADDRESS: **0x2C**

R-0	RW/HS-0000000
r	SECPAYINDX<6:0>
bit 7	bit 0

Legend: R = Readable bit W = Writable bit U = Unimplemented bit, read as '0'
-n = Value at POR '1' = Bit is set '0' = Bit is cleared x = Bit is unknown
r = Reserved HS = Hardware Set

bit 7 **Reserved:** Maintain as '0'

bit 6-0 **SECPAYINDX<6:0>:** Security Payload Index Field bits

This field defines the portion of the payload, which the encryption/decryption operations are performed.

For MAC layer security, SECPAYINDX<6:0> is defined as the address offset of the MAC payload from the beginning of the frame, as stored in the buffer (0 = Length field, 1 = FrameCtrl field, and so on), and is automatically loaded for both 802.15.4 and Proprietary frames⁽¹⁾.

For Network layer security, SECPAYINDX<6:0> is defined as the address offset of the payload from the beginning of the frame and the Host Controller loads it only for 802.15.4 frames. Note that for Proprietary frames, the MAC automatically loads it.

Note 1: Setting the DTSM bit disables the automatic computation of this field in TX mode.

REGISTER 2-34: SECENDINDX (SECURITY END INDEX REGISTER)
ADDRESS: 0x2D

R-00	RW/HS-0000000
r	SECENDINDX<6:0>
bit 7	bit 0

Legend: R = Readable bit	W = Writable bit	U = Unimplemented bit, read as '0'
-n = Value at POR	'1' = Bit is set	'0' = Bit is cleared
r = Reserved	HS = Hardware Set	x = Bit is unknown

bit 7 **Reserved:** Maintain as '0'

bit 6-0 **SECENDINDX<6:0>:** Security End Index Field bits⁽¹⁾

This field defines the end of the payload, which the security operations are performed.

Note 1: Setting the DTSM bit disables the automatic computation of this field in TX mode.

MRF24XA

REGISTER 2-35: MACDEBUG (MAC DEBUG CONTROL REGISTER)

ADDRESS: **0x2E**

R/W/HC-0	R/W/HC-0	R/W-0	R/W-0	R/HS/HC-0	R/HS/HC-0	R/HS/HC-0	R/HS/HC-0
BUF1TXPP	BUF2TXPP	BUF1RXPP	BUF2RXPP	TXRDBUF	RXWRBUF	BUSRDBUF	BUSWRBUF
bit 7							bit 0

Legend: R = Readable bit	W = Writable bit	U = Unimplemented bit, read as '0'
-n = Value at POR	'1' = Bit is set	'0' = Bit is cleared
r = Reserved	HC = Hardware Clear	HS = Hardware Set
		x = Bit is unknown

- bit 7 **BUF1TXPP:** Buffer 1 TX Process Packet bit

Setting this bit performs all of the processing (CRC generation and security) on BUF1 that is normally done before transmitting a packet, but without actually transmitting the packet.
- bit 6 **BUF2TXPP:** Buffer 2 TX Process Packet bit

Setting this bit performs all of the processing (CRC generation and security) on BUF2 that is normally done before transmitting a packet, but without actually transmitting the packet.
- bit 5 **BUF1RXPP:** Buffer 1 RX Process Packet bit

Setting this bit performs all of the processing (CRC checking and security) on BUF1 that is normally done when receiving a packet, but without actually receiving the packet.

This bit must be asserted while downloading security materials and so on during debug.
- bit 4 **BUF2RXPP:** Buffer 2 RX Process Packet bit

Setting this bit performs all of the processing (CRC checking and security) on BUF2 that is normally done when receiving a packet, but without actually receiving the packet.

This bit must be asserted while downloading security materials and so on, during debug.
- bit 3 **TXRDBUF:** TX Read Buffer Flag bit

Indicates the physical buffer number (0 = BUF1, 1 = BUF2) that the TX hardware is reading.
- bit 2 **RXWRBUF:** RX Write Buffer Flag bit

Indicates the physical buffer number (0 = BUF1, 1 = BUF2) that the RX hardware is writing to.
- bit 1 **BUSRDBUF:** Bus Read Buffer Flag bit

Indicates the physical buffer number (0 = BUF1, 1 = BUF2) that the SFR bus is reading. This bit is only used in RX-Streaming mode.
- bit 0 **BUSWRBUF:** Bus Write Buffer Flag bit

Indicates the physical buffer number (0 = BUF1, 1 = BUF2) that the SFR bus is writing to. This bit is only used in TX-Streaming mode.

REGISTER 2-36: CCACON1 (CCA CONTROL 1 REGISTER)
ADDRESS: 0x2F

R/HS/HC-0	R/W/HC-0	R/W-001100
CCABUSY	CCAST	RSSITHR<5:0>
bit 7		bit 0

Legend: R = Readable bit	W = Writable bit	U = Unimplemented bit, read as '0'
-n = Value at POR	'1' = Bit is set	'0' = Bit is cleared
r = Reserved	HC = Hardware Clear	HS = Hardware Set
		x = Bit is unknown

bit 7 **CCABUSY:** Clear Channel Assessment Busy Flag bit

This bit represents the result of the latest CCA measurement.

1 = Medium is busy
0 = Medium is silent

bit 6 **CCAST:** Clear Channel Assessment Start bit⁽¹⁾

Setting this register bit triggers MCU to start a new CCA measurement. The hardware clears this bit when the CCA measurement is done (EDCCAIF is set) and CCABUSY is valid.

bit 5-0 **RSSITHR<5:0>:** RSSI Threshold bits⁽²⁾

This threshold is used in CCA operation when Energy detect or Energy and Carrier Sense mode is selected.

Representation: resolution of 2 dB/LSB, RSSITHR = 0x10 represents ca. -75 dBm noise level. Note that this threshold may be different with other matching network or antenna.

Note 1: RX chain must be turned on (RXEN = 1) to perform this measurement. Packet reception is not disabled during the measurement, main purpose is testing.

2: In the corresponding CCA modes the radio measures EDMEAN<7:0>. If EDMEAN<7:2> is greater than RSSITHR<5:0>, CCABUSY is set. Example: To set the RSSI threshold where the chip measures 0x30 EDMEAN, RSSITHR<5:0> must be 0x0C.

REGISTER 2-37: CCACON2 (CCA CONTROL 2 REGISTER)
ADDRESS: 0x30

R-0	R/W-01	R/W-01
CSTHR<3:0>	CCALEN<1:0>	CCAMODE<1:0>
bit 7		bit 0

Legend: R = Readable bit	W = Writable bit	U = Unimplemented bit, read as '0'
-n = Value at POR	'1' = Bit is set	'0' = Bit is cleared
r = Reserved		x = Bit is unknown

bit 7-4 **CSTHR<3:0>:** Carrier Sense Threshold Field bits. This threshold is used in CCA operation when Carrier Sense mode is selected.

bit 3-2 **CCALEN<1:0>:** Clear Channel Assessment Length bits⁽¹⁾

Value N indicates duration of 2^N * 32 μs.

bit 1-0 **CCAMODE<1:0>:** Clear Channel Assessment Mode Field bits⁽²⁾

11 = CCA Mode 3/a in the IEEE 802.15.4 standard: Energy AND Carrier Sense Threshold
10 = CCA Mode 2 in the IEEE 802.15.4 standard: Carrier Sense Threshold
01 = CCA Mode 1 in the IEEE 802.15.4 standard: Energy Detect Threshold (default)
00 = CCA Mode 3/b in the IEEE 802.15.4 standard: Energy OR Carrier Sense Threshold

Note 1: The IEEE 802.15.4 standard requires 128 μs, but shorter length is recommended when using higher rates with optimized Preamble mode (RATECON.OPTIMAL = 1).

2: The measured RSSI result is stored in EDMEAN<7:0> register in all modes except Mode 2.

MRF24XA

REGISTER 2-38: EDCON (ENERGY DETECT CONTROL REGISTER)⁽¹⁾

ADDRESS: 0x31

R-00	RW-0	RW/HC-0	RW-1110
r	EDMODE	EDST	EDLEN<3:0>
bit 7			bit 0

Legend: R = Readable bit	W = Writable bit	U = Unimplemented bit, read as '0'
-n = Value at POR	'1' = Bit is set	'0' = Bit is cleared
r = Reserved	HC = Hardware Clear	x = Bit is unknown

bit 7-6 **Reserved:** Maintain as '0'

bit 5 **EDMODE:** Energy Detect Mode Select bit

1 = Energy Detect Sampling Mode. ED duration is 128 μ s. A single atomic RSSI-peak measurement is accomplished. The result is stored in EDPEAK<7:0> register.

0 = Energy Detect Scan Mode. EDLEN<3:0> sets the ED duration. The result is stored in EDMEAN<7:0> register.

bit 4 **EDST:** Energy Detect Measurement Start bit

Setting this register bit triggers MCU to start a new ED measurement. The hardware clears this bit when the ED measurement is done (EDCCAIF is unchanged) and values in EDMEAN<7:0> and EDPEAK<7:0> are valid.

If the ED measurement is aborted (RX state changes, or the MCU clears the EDST bit), then EDCCAIF is unchanged.

bit 3-0 **EDLEN<3:0>:** Energy Detect Measurement Length Field bits⁽²⁾

Value *M* indicates a sequence of $(M + 1) * 8$ atomic RSSI-peak measurements, each having the duration of 128 μ s. At the end of the aggregate measurement, the mean and the peak value of the sequence are available in EDMEAN<7:0> and EDPEAK<7:0>.

Note 1: The RX chain must be turned on (RXEN = 1) to perform this measurement. Packet reception is disabled during the measurement.

2: When EDLEN<3:0> = M = 0xE, the 128 μ s atomic measurements are performed 120 times, which is equal to the a BaseSuperFrameDuration parameter in the IEEE 802.15.4 standard.

REGISTER 2-39: EDMEAN (ENERGY DETECT MEAN INDICATION REGISTER)

ADDRESS: 0x32

R/HS/HC-00000000	
EDMEAN<7:0>	
bit 7	bit 0

Legend: R = Readable bit	W = Writable bit	U = Unimplemented bit, read as '0'
-n = Value at POR	'1' = Bit is set	'0' = Bit is cleared
r = Reserved	HC = Hardware Clear	HS = Hardware Set

bit 7-0 **EDMEAN<7:0>:** Energy Detect Mean Indication Field bits

Measured mean signal strength during ED/CCA measurement.

REGISTER 2-40: EDPEAK (ENERGY DETECT PEAK INDICATION REGISTER) ADDRESS: 0x33

R/HS/HC-00000000	
EDPEAK<7:0>	
bit 7	bit 0

Legend: R = Readable bit	W = Writable bit	U = Unimplemented bit, read as '0'
-n = Value at POR	'1' = Bit is set	'0' = Bit is cleared
r = Reserved	HC = Hardware Clear	HS = Hardware Set
		x = Bit is unknown

bit 7-0 **EDPEAK<7:0>**: Energy Detect Peak Indication Field bits

Measured peak signal strength during ED measurement.

Computation: The gain-compensated RSSI value is averaged over intervals of 128 μ s. The peak value obtained from a sequence of such measurements is stored in EDPEAK when EDMODE = 1.

REGISTER 2-41: CFOCON (CFO PRE COMPENSATION REGISTER) ADDRESS: 0x34

R/W-0000		R/W-0000	
CFOTX<3:0>		CFORX<3:0>	
bit 7			bit 0

Legend: R = Readable bit	W = Writable bit	U = Unimplemented bit, read as '0'
-n = Value at POR	'1' = Bit is set	'0' = Bit is cleared
r = Reserved		x = Bit is unknown

bit 7-4 **CFOTX<3:0>**: TX Carrier Frequency Offset Field bits

The host writes this value to compensate for the Carrier Frequency Offset of the node during transmission. Pre-compensation allows using crystals with wider tolerances.

Frequency Offset Unit is: 13 ppm/LSB. Two's complement encoding.

bit 3-0 **CFORX<3:0>**: RX Carrier Frequency Offset Field bits

The host writes this value to pre-compensate the Carrier Frequency Offset estimation window (± 55 ppm).

Frequency Offset Unit is: 13 ppm/LSB. Two's complement encoding.

MRF24XA

REGISTER 2-42: CFOMEAS (CFO MEASUREMENT INDICATION REGISTER) ADDRESS: 0x35

RW-00000000	
CFOMEAS<7:0>	
bit 7	bit 0

Legend: R = Readable bit W = Writable bit U = Unimplemented bit, read as '0'
-n = Value at POR '1' = Bit is set '0' = Bit is cleared x = Bit is unknown
r = Reserved

bit 7-0 **CFOMEAS<7:0>**: CFO Measurement Field bits

If AFCOVR bit is cleared, then this register is written and valid when RXSFDIF is set with the value of the Carrier Frequency Offset that was estimated during the acquisition of the packet. The host may use this value together with the LQI as a preamble quality indication (LQI is measured over the CFO compensated payload).

If AFCOVR bit is set, this receiver compensates the Carrier Frequency Offset. Note that in this case, the CFO estimation algorithm is disabled, thus ± 13 ppm CFO is tolerated. CFORX has no effect when AFCOVR is set.

Frequency Offset Unit is: ~ 1.62 ppm/LSB of the 2.4 GHz carrier. Two's complement encoding is used.

REGISTER 2-43: RATECON (RATE CONFIGURATION REGISTER)
ADDRESS: 0x36

R/W-0	R/W-0	R/W-0	R/W-0	R/W-0	R/W-0	R/W-1	R/W-1
DIS2000	DIS1000	DIS500	DIS250	DISSTD	DIS125	OPTIMAL	PSAV
bit 7							bit 0

Legend: R = Readable bit W = Writable bit -n = Value at POR '1' = Bit is set r = Reserved	U = Unimplemented bit, read as '0' '0' = Bit is cleared x = Bit is unknown
--	--

- bit 7 **DIS2000:** Disable 2 Mbps Frame Reception bit
 If this bit is set, then reception of 2 Mbps frames is disabled.
- bit 6 **DIS1000:** Disable 1 Mbps Frame Reception bit
 If this bit is set, then reception of 1 Mbps frames is disabled.
- bit 5 **DIS500:** Disable 500 kbps Frame Reception bit
 If this bit is set, then reception of 500 kbps frames is disabled.
- bit 4 **DIS250:** Disable 250 kbps Frame Reception bit
 If this bit is set, then reception of 250 kbps frames with non-standard-compliant SFD patterns is disabled.
- bit 3 **DISSTD:** Disable IEEE 802.15.4 compliant Frame Reception bit
 If this bit is set, then reception of 250 kbps frames with IEEE 802.15.4 compliant SFD patterns is disabled.
- bit 2 **DIS125:** Disable 125 kbps Frame Reception bit
 If this bit is set, then reception of 125 kbps frames is disabled.
- bit 1 **OPTIMAL:** Optimized Preamble Selection bit
 When this bit is set, then optimized preamble is used instead of legacy.
 1 = Optimized preamble
 0 = Legacy preamble
- bit 0 **PSAV:** Power-Save Mode Selection bit
 If this bit is set, frame detection is dependent on the RSSI signal, and the receive signal processor is turned on when a sudden and significant increase (PSAVTHR<3:0>) is detected in the signal strength or the signal strength is above an absolute level (DESENSTHR<3:0>).
 1 = Power-Save mode
 0 = Hi-Sensitivity mode

MRF24XA

REGISTER 2-44: POWSAVE (POWER-SAVE CONFIGURATION REGISTER)

ADDRESS **0x37**

RW-1010		RW-1010	
DESENSTHR<3:0>		PSAVTHR<3:0>	
bit 7		bit 0	

Legend: R = Readable bit W = Writable bit U = Unimplemented bit, read as '0'
-n = Value at POR '1' = Bit is set '0' = Bit is cleared x = Bit is unknown
r = Reserved

bit 7-4 **DESENSTHR<3:0>**: Desensitization Threshold Field bits

This field defines an absolute level on the RSSI signal to activate receive signal processor if PSAV = 1.
Unit is 4 dB/LSB. Unsigned encoding is used.

bit 3-0 **PSAVTHR<3:0>**: Frame Detection Threshold Register Field bits

This field defines a relative (relative to the last 4 μ s RSSI value) threshold level on the RSSI signal to activate receive signal processor, if PSAV = 1.
Unit is 0.5 dB/LSB. Unsigned encoding is used.

REGISTER 2-45: BBCON (BASEBAND CONFIGURATION REGISTER)
ADDRESS 0x38

R/W-0	R/W-0	R/W-11	R/W-0	R/W-001
RNDMOD	AFCOVR	RXGAIN<1:0>	PRMBHOLD	PRMBSZ<2:0>
bit 7				bit 0

Legend:	W = Writable bit	R = Readable bit	U = Unimplemented bit, read as '0'
-n = Value at POR	'1' = Bit is set	'0' = Bit is cleared	x = Bit is unknown
r = Reserved			

bit 7 **RNDMOD:** Random modulation bit

If this bit is set, the transmitter randomly transmits DSSS symbols or MSK chips if PRMBHOLD bit is set. The purpose of this register is only for testing.

bit 6 **AFCOVR:** AFC override bit

If this bit is set, the receiver uses CFOMEAS register as the CFO in reception.

bit 5-4 **RXGAIN<1:0>:** Receiver Gain Register Field bits

If this bit is set, the AGC operation is inhibited in the receiver and the receiver radio gain Configuration is selected between three different gain levels. Encoding:

11 = AGC operation is enabled (default value)
 10 = High gain
 01 = Middle gain
 00 = Low gain

This feature is used for testing and streaming purposes. To reduce the required interframe-gap, the RXGAIN must be set to one of the fixed gain options when the MAC is in Streaming mode.

bit 3 **PRMBHOLD:** Preamble Hold Enable bit

Effect: Appends extra bytes to the transmitted preamble in endless repetition until it is cleared.

Details: The hardware checks this bit during transmission before finishing the preamble. The DR<2:0> and the register OPTIMAL determine the appropriate preamble byte and applies the modulation format. When this flag is released, the transmission of the current preamble byte is completed followed by transmitting the LENGTH field and the payload.

1 = Enable endless preamble repetition
 0 = Disable/stop endless preamble repetition

bit 2-0 **PRMBSZ<2:0>:** Preamble Size Adjustment Field bits

Allows adjusting the transmitted preamble length when OPTIMAL = 1. Encoding:

500 kbps preamble length = (PRMBSZ<2> + 4) units, where unit = 16 μ s (1 octet at 500 kbps)

1 Mbps preamble length = (PRMBSZ<1:0> + 8) units, where unit = 4 μ s (1 octet at 2 Mbps)

2 Mbps preamble length = (PRMBSZ<1:0> + 8) units, where unit = 4 μ s (1 octet at 2 Mbps)

Legacy frames and 125/250 kbps optimized frames are not affected by this Register field.

MRF24XA

REGISTER 2-46: IFGAP (INTER FRAME CONFIGURATION REGISTER)

ADDRESS **0x39**

R-000	RW-10111
r	IFGAP<4:0>
bit 7	bit 0

Legend: R = Readable bit W = Writable bit U = Unimplemented bit, read as '0'
-n = Value at POR '1' = Bit is set '0' = Bit is cleared x = Bit is unknown
r = Reserved

bit 7-5 **Reserved:** Maintain as '0'

bit 4-0 **IFGAP<4:0>:** TX Interframe-Gap Field bits

This field allows configuring a TX interframe-gap ranging from 0 to 30 μ s. This duration is enforced as a minimum separation between the last sample of a transmitted frame and the start of the preamble for a potential subsequent frame transmission. Unit is 2 μ s/LSB.

REGISTER 2-47: TXPOW (TRANSMIT POWER CONFIGURATION REGISTER)

ADDRESS **0x3A**

RW-000	RW-11111
CHIPBOOST<2:0>	TXPOW<4:0>
bit 7	bit 0

Legend: R = Readable bit W = Writable bit U = Unimplemented bit, read as '0'
-n = Value at POR '1' = Bit is set '0' = Bit is cleared x = Bit is unknown
r = Reserved

bit 7-5 **CHIPBOOST<2:0>:** TX Chip Boosting Field bits

This field modifies the spectrum of the OQPSK transmission.

bit 4-0 **TXPOW<4:0>:** TX Power Register Field bits

This field allows configuring a TX power ranging from -19 to 1 dBm. Encoding:

11111 = +1 dBm

•
•
•

00001 = -19 dBm

00000 = PA OFF

REGISTER 2-48: TX2IDLE (TRANSMIT POWER-DOWN TO IDLE CONFIGURATION REGISTER)

ADDRESS **0x3B**

R-0	R/W-00011
r	TX2IDLE<4:0>
bit 7	bit 0

Legend: R = Readable bit W = Writable bit U = Unimplemented bit, read as '0'
 -n = Value at POR '1' = Bit is set '0' = Bit is cleared x = Bit is unknown
 r = Reserved

bit 7-5 **Reserved:** Maintain as '0'

bit 4-0 **TX2IDLE<4:0>:** Transmit Power-Down to Idle Duration Field bits

Defines the duration of the interval while PLL cannot be tuned (turned off or change channel) following that the transmitter and external PA (if PAE = 1) are turned down together.

Representation: 1 μ s/1 LSB. No offset.

REGISTER 2-49: TX2TXMA (TRANSMIT POWER-UP TO MEDIUM ACCESS CONFIGURATION REGISTER)

ADDRESS **0x3C**

R-0	R/W-00011
r	TX2TXMA<4:0>
bit 7	bit 0

Legend: R = Readable bit W = Writable bit U = Unimplemented bit, read as '0'
 -n = Value at POR '1' = Bit is set '0' = Bit is cleared x = Bit is unknown
 r = Reserved

bit 7-5 **Reserved:** Maintain as '0'

bit 4-0 **TX2TXMA<4:0>:** Transmit Power-Up to Medium Access Configuration Field bits

Defines the time interval between turning on the internal transmitter of the device and the start time of medium access (start of the PHY-layer frame).

TX_TO_TXMA = The transient time of the transmitter, in the following scenarios:

PAEN = 0

PAEN = 1, but the PA is turned on first. PA_TO_TXMA = TX_TO_TXMA + PA transient time.

PAEN = 1, but the TX and PA transients are NOT sequenced.

TX_TO_TXMA = The transient time of the transmitter + PA_TO_TXMA:

PAEN = 1, and the transmitter is turned on first (transients are sequenced).

Representation: 1 μ s/1 LSB. No offset.

MRF24XA

REGISTER 2-50: EXTPA (EXTERNAL POWER AMPLIFIER CONFIGURATION REGISTER)

ADDRESS 0x3D

R-0	R/W-0	R/W-0	R/W-00100
r	EXTPAP	PAEN	PA2TXMA<4:0>
bit 7			bit 0

Legend: R = Readable bit W = Writable bit U = Unimplemented bit, read as '0'
 -n = Value at POR '1' = Bit is set '0' = Bit is cleared x = Bit is unknown
 r = Reserved

- bit 7 **Reserved:** Maintain as '0'
- bit 6 **EXTPAP:** External Power Amplifier Polarity bit
 1 = 3.3V turns Power Amplifier ON
 0 = GND turns Power Amplifier ON
- bit 5 **PAEN:** External Power Amplifier Enable bit
 This bit enables the PA pin to output the control signal for external Power Amplifier.
- bit 4-0 **PA2TXMA<4:0>:** External Power Amplifier Power-Up to Medium Access Configuration Field bits
 Defines the time interval between turning on the external PA of the device and the start time of medium access (start of the PHY-layer frame).
PA_TO_TXMA = The transient time of the external PA, in the following scenarios:
 PAEN = 1, and the transmitter is turned on first. TX_TO_TXMA = PA_TO_TXMA + TX transient time.
 PAEN = 1, but the TX and PA transients are NOT sequenced.
PA_TO_TXMA = The transient time of the PA + TX_TO_TXMA:
 PAEN = 1, and the external power amplifier is turned on first (transients are sequenced).
 Representation: 1 µs/1 LSB. No offset

REGISTER 2-51: EXTLNA (EXTERNAL LOW-NOISE AMPLIFIER CONFIGURATION REGISTER)

ADDRESS 0x3E

R-0	R/W-0	R/W-0	R/W-00100
r	EXTLNAP	LNAEN	LNADLY<4:0>
bit 7			bit 0

Legend: R = Readable bit W = Writable bit U = Unimplemented bit, read as '0'
 -n = Value at POR '1' = Bit is set '0' = Bit is cleared x = Bit is unknown
 r = Reserved

- bit 7 **Reserved:** Maintain as '0'
- bit 6 **EXTLNAP:** External Low Noise Amplifier Polarity bit
 1 = 3.3V turns Low-Noise Amplifier ON
 0 = GND turns Low-Noise Amplifier ON
- bit 5 **LNAEN:** External Low-Noise Power Amplifier Enable bit
 This bit enables the LNA pin to output the control signal for external Low-Noise Amplifier.
- bit 4-0 **LNADLY<4:0>:** External Low-Noise Amplifier Power-Up Transient Delay Field bits
 Defines the duration between the LNA is turned on and the reception is valid.
 LNA and internal receiver are turned on together. The longer transient is awaited before input signal is accepted as valid.
 Representation: 1 µs/1 LSB. No offset.

REGISTER 2-52: BATMON (BATTERY MONITOR CONFIGURATION REGISTER) ADDRESS: 0x3F

R-0	RW-1	RW-1111
r	BATMONPD	BATMON<4:0>
bit 7		bit 0

Legend: R = Readable bit W = Writable bit U = Unimplemented bit, read as '0'
 -n = Value at POR '1' = Bit is set '0' = Bit is cleared x = Bit is unknown
 r = Reserved

bit 7-6 **Reserved:** Maintain as '0'

bit 5 **BATMONPD:** Battery Monitor Power-Down bit

If battery monitor is working and battery voltage drops below the threshold by BATMON<4:0>, then WARNIF is set.

1 = Battery monitor is OFF
 0 = Battery monitor is working

bit 4-0 **BATMON<4:0>:** Battery Monitor Threshold Field bits

$V_{THRESHOLD} = 3.6 - 0.071 * BATMON<4:0> (V)$

REGISTER 2-53: SECKEY (SECURITY KEY REGISTER)

ADDRESS: 0x40 – 0x4F

RW-00000000

SECKEY<127:120>	
bit 127	bit 120

RW-00000000

SECKEY<119:112>	
bit 119	bit 112

RW-00000000

SECKEY<111:104>	
bit 111	bit 104

RW-00000000

SECKEY<103:96>	
bit 103	bit 96

RW-00000000

SECKEY<95:88>	
bit 95	bit 88

RW-00000000

SECKEY<87:80>	
bit 87	bit 80

RW-00000000

SECKEY<79:72>	
bit 79	bit 72

MRF24XA

REGISTER 2-53: SECKEY (SECURITY KEY REGISTER) (CONTINUED) ADDRESS: 0x40 – 0x4F

RW-00000000	
SECKEY<71:64>	
bit 71	bit 64
RW-00000000	
SECKEY<63:56>	
bit 63	bit 56
RW-00000000	
SECKEY<55:48>	
bit 55	bit 48
RW-00000000	
SECKEY<47:40>	
bit 47	bit 40
RW-00000000	
SECKEY<39:32>	
bit 39	bit 32
RW-00000000	
SECKEY<31:24>	
bit 31	bit 24
RW-00000000	
SECKEY<23:16>	
bit 23	bit 16
RW-00000000	
SECKEY<15:8>	
bit 15	bit 8
RW-00000000	
SECKEY<7:0>	
bit 7	bit 0

Legend: R = Readable bit W = Writable bit U = Unimplemented bit, read as '0'
-n = Value at POR '1' = Bit is set '0' = Bit is cleared x = Bit is unknown
r = Reserved

bit 127-0 **SECKEY<128:0>**: Security Key Field bits
Security key used in security operation.

REGISTER 2-54: SECNONCE (SECURITY NONCE REGISTER)ADDRESS: **0x50** – 0x5C

RW/HS/HC-00000000	
SECNONCE<103:96>	
bit 103	bit 96
RW-00000000	
SECNONCE <95:88>	
bit 95	bit 88
RW-00000000	
SECNONCE<87:80>	
bit 87	bit 80
RW-00000000	
SECNONCE<79:72>	
bit 79	bit 72
RW-00000000	
SECNONCE<71:64>	
bit 71	bit 64
RW-00000000	
SECNONCE<63:56>	
bit 63	bit 56
RW-00000000	
SECNONCE<55:48>	
bit 55	bit 48
RW-00000000	
SECNONCE<47:40>	
bit 47	bit 40
RW-00000000	
SECNONCE<39:32>	
bit 39	bit 32
RW-00000000	
SECNONCE<31:24>	
bit 31	bit 24
RW-00000000	
SECNONCE<23:16>	
bit 23	bit 16
RW-00000000	
SECNONCE<15:8>	
bit 15	bit 8

MRF24XA

REGISTER 2-54: SECNONCE (SECURITY NONCE REGISTER) (CONTINUED)

ADDRESS: 0x50 – 0x5C

R/W-00000000

SECNONCE<7:0>	
bit 7	bit 0

Legend: R = Readable bit W = Writable bit U = Unimplemented bit, read as '0'
-n = Value at POR '1' = Bit is set '0' = Bit is cleared x = Bit is unknown
r = Reserved HC = Hardware Clear HS = Hardware Set

bit 103-0 **SECNONCE<103:0>**: Security Nonce Field bits

The register represents security nonce used in security operation.

This field is deterministic in both 802.15.4-2003 and 802.15.4-2006 standards. Device can automatically calculate this field.

REGISTER 2-55:SFD1 (START FRAME DELIMITER PATTERN 1 CONFIGURATION REGISTER)

ADDRESS: 0x60

R/W-00100001

SFD1<7:0>	
bit 7	bit 0

Legend: R = Readable bit W = Writable bit U = Unimplemented bit, read as '0'
-n = Value at POR '1' = Bit is set '0' = Bit is cleared x = Bit is unknown
r = Reserved

bit 7-0 **SFD1<7:0>**: Start Frame Delimiter Pattern 1 Register Field bits

This octet is used as SFD pattern with 2 Mbps rate when OPTIMAL = 0, and as the MSB of the SFD pattern with 2 Mbps rate when OPTIMAL = 1.

When OPTIMAL = 0:

The hexadecimal digits must be different from 0x0 and different from the corresponding digits in SFD<k>, k = 2, 3, 4, 6, and the value 0xA7 is forbidden.

When OPTIMAL = 1:

The hexadecimal digits must be different from 0x0 and different from the corresponding digits of SFD2.

REGISTER 2-56: SFD2 (START FRAME DELIMITER PATTERN 2 CONFIGURATION REGISTER)

ADDRESS: **0x61**

RW-11110001	
SFD2<7:0>	
bit 7	bit 0

Legend: R = Readable bit	W = Writable bit	U = Unimplemented bit, read as '0'
-n = Value at POR	'1' = Bit is set	'0' = Bit is cleared
r = Reserved		x = Bit is unknown

bit 7-0 **SFD2<7:0>**: Start Frame Delimiter Pattern 2 Register Field bits

This octet is used as SFD pattern with 1 Mbps rate when `OPTIMAL = 0`, and as the MSB of the SFD pattern with 1 Mbps rate when `OPTIMAL = 1`.

When `OPTIMAL = 0`:

The hexadecimal digits must be different from 0x0 and different from the corresponding digits in SFD<k>, k = 1, 3, 4, 6, and the value 0xA7 is forbidden.

When `OPTIMAL = 1`:

The hexadecimal digits must be different from 0x0 and different from the corresponding digits of SFD2.

REGISTER 2-57: SFD3 (START FRAME DELIMITER PATTERN 3 CONFIGURATION REGISTER)

ADDRESS: **0x62**

RW-00111011	
SFD3<7:0>	
bit 7	bit 0

Legend: R = Readable bit	W = Writable bit	U = Unimplemented bit, read as '0'
-n = Value at POR	'1' = Bit is set	'0' = Bit is cleared
r = Reserved		x = Bit is unknown

bit 7-0 **SFD3<7:0>**: Start Frame Delimiter Pattern 3 Register Field bits

This octet is used as SFD pattern with 500 kbps rate.

When `OPTIMAL = 0`:

The hexadecimal digits must be different from 0x0 and different from the correspond digits in SFD<k>, k = 1, 2, 4, 6, and the value 0xA7 is forbidden.

When `OPTIMAL = 1`:

The hexadecimal digits must be different from 0x0.

MRF24XA

REGISTER 2-58: SFD4 (START FRAME DELIMITER PATTERN 4 CONFIGURATION REGISTER)

ADDRESS: 0x63

RW-11100101	
SFD4<7:0>	
bit 7	bit 0

Legend: R = Readable bit W = Writable bit U = Unimplemented bit, read as '0'
-n = Value at POR '1' = Bit is set '0' = Bit is cleared x = Bit is unknown
r = Reserved

bit 7-0 **SFD4<7:0>**: Start Frame Delimiter Pattern 4 Register Field bits

This octet is used as SFD pattern with 250 kbps rate when proprietary MAC is in use. Otherwise, the 0xA7 pattern defined in the standard is used instead.

The hexadecimal digits must be different from 0x0 and from the corresponding digits in SFD<k>, where k = 6 or 1, 2, 3. When OPTIMAL = 0, the value 0xA7 is forbidden.

REGISTER 2-59: SFD5 (START FRAME DELIMITER PATTERN 5 CONFIGURATION REGISTER)

ADDRESS: 0x64

RW-01001101	
SFD5<7:0>	
bit 7	bit 0

Legend: R = Readable bit W = Writable bit U = Unimplemented bit, read as '0'
-n = Value at POR '1' = Bit is set '0' = Bit is cleared x = Bit is unknown
r = Reserved

bit 7-0 **SFD5<7:0>**: Start Frame Delimiter Pattern 5 Register Field bits

This octet is used as the MSB of the SFD pattern with 125 kbps rate.

REGISTER 2-60: SFD6 (START FRAME DELIMITER PATTERN 6 CONFIGURATION REGISTER)

ADDRESS: 0x65

RW-10101000	
SFD6<7:0>	
bit 7	bit 0

Legend: R = Readable bit W = Writable bit U = Unimplemented bit, read as '0'
 -n = Value at POR '1' = Bit is set '0' = Bit is cleared x = Bit is unknown
 r = Reserved

bit 7-0 **SFD6<7:0>**: Start Frame Delimiter Pattern 6 Register Field bits

When `OPTIMAL = 1`:

This octet is used as the LSB of the SFD pattern with 2 Mbps rate. This octet is used as the LSB of the SFD pattern with 125 kbps rate.

When `OPTIMAL = 0`:

The value 0xA7 is forbidden. The hexadecimal digits must be different from 0x0 and different from the corresponding digits in SFD<k>, k = 4 or 1, 2, 3.

REGISTER 2-61: SFD7 (START FRAME DELIMITER PATTERN 7 CONFIGURATION REGISTER)

ADDRESS: 0x66

RW-11001000	
SFD7<7:0>	
bit 7	bit 0

Legend: R = Readable bit W = Writable bit U = Unimplemented bit, read as '0'
 -n = Value at POR '1' = Bit is set '0' = Bit is cleared x = Bit is unknown
 r = Reserved

bit 7-0 **SFD7<7:0>**: Start Frame Delimiter Pattern 7 Register Field bits

When `OPTIMAL = 1`, this octet is used as the LSB of the SFD pattern with 1 Mbps rate.

MRF24XA

NOTES:

3.0 FUNCTIONAL DESCRIPTION

3.1 Reset

MRF24XA has three reset types:

- Power-On Reset (POR) – MRF24XA has built-in POR circuitry that automatically resets all control registers when power is applied. After POR, MRF24XA starts the internal Calibration process. RDYIF interrupt is set when the device is ready to use.
- RESET Pin – The host MCU can reset MRF24XA by asserting the RESET pin low. All control registers are reset to default value. If the RESET pin is deasserted, MRF24XA starts the internal Calibra-

tion process. RDYIF interrupt is set when the device is ready to use.

- Software Reset – The host MCU can perform the Software Reset through the SPI interface. REGRST register (0x00) provides reset signals for the Configuration registers, while FSMRST register (0x01) provides reset functionality for the internal state machines. The reset signals are asynchronous and the level is evaluated immediately without any internal synchronization.

The recommended reset sequences:

- FSMRST = 0x1F
- REGRST = 0x3F
- REGRST = 0x00

REGISTER 3-1: REGRST (CONFIGURATION RESET)⁽¹⁾ ADDRESS: 0x00

R-00	R/W-000000
r	REGRST<5:0>
bit 7	bit 0

Legend: R = Readable bit W = Writable bit U = Unimplemented bit, read as '0'
 -n = Value at POR '1' = Bit is set '0' = Bit is cleared x = Bit is unknown
 r = Reserved

bit 7-6 **Reserved:** Maintain as '0'

bit 5-0 **REGRST<5:0>:** Asynchronous Register Reset Field bits
 111111 = Reset Configuration registers to default
 000000 = Release from reset

Note 1: After setting the field, the host MCU must also clear it to release the device from reset.

REGISTER 3-2: FSMRST (CONTROLLER RESET)⁽¹⁾ ADDRESS: 0x01

R-000	R/W-00000
r	FSMRST<4:0>
bit 7	bit 0

Legend: R = Readable bit W = Writable bit U = Unimplemented bit, read as '0'
 -n = Value at POR '1' = Bit is set '0' = Bit is cleared x = Bit is unknown
 r = Reserved

bit 7-5 **Reserved:** Maintain as '0'

bit 4-0 **FSMRST<4:0>:** Asynchronous Functional Reset Field bits
 11111 = Reset state machines to default
 00000 = Release from reset

Note 1: After setting the field, the host MCU must clear it to release the device from reset.

MRF24XA

TABLE 3-1: REGISTERS ASSOCIATED WITH RESET

Name	Bit 7	Bit 6	Bit 5	Bit 4	Bit 3	Bit 2	Bit 1	Bit 0
REGRST	r		REGRST<5:0>					
FSMRST	r			FSMRST<4:0>				

Legend: r = Reserved, read as '0'.

3.2 Interrupts

MRF24XA has one interrupt ($\overline{\text{INT}}$), pin 13 that signals interrupt events to the host MCU. Interrupt sources are enabled through PIE1 (0x08) to PIE4 (0x0B) register bits. All interrupts are enabled or disabled using GIE bit (PINCON<6>). If GIE bit is cleared, all interrupts are disabled and INT pin remains in inactive state. Despite having the interrupts cleared by GIE bit clearing, the interrupt flags of the enabled interrupt sources are set.

Interrupt flags are located in the PIR1 (0x04) to PIR4 (0x07) registers. The PIRX register bits clears-to-zero upon read.

Therefore, the host MCU must read and store the value of the PIRX registers and check the bits to determine which interrupt occurred. The $\overline{\text{INT}}$ pin continues to signal an interrupt until all active interrupts flags in PIRX registers are read.

REGISTER 3-3: PINCON (PIN CONFIGURATION REGISTER)

ADDRESS: 0x0C

R-0	R/W-1	R-0	R-x	R/W-0000
r	GIE	r	IRQIF	GPIOMODE<3:0>
bit 7				bit 0

Legend: R = Readable bit W = Writable bit U = Unimplemented bit, read as '0'
 -n = Value at POR '1' = Bit is set '0' = Bit is cleared x = Bit is unknown
 r = Reserved

- bit 7 **Reserved:** Maintain as '0'
- bit 6 **GIE:** General Interrupt Enable bit
 This bit enables to output IRQIF on $\overline{\text{INT}}$ pin. Note that the polarity of $\overline{\text{INT}}$ pin is active-low.
- bit 5 **Reserved:** Maintain as '0'
- bit 4 **IRQIF:** Interrupt Request Pending bit
 This bit is the OR relationship of the enabled interrupt flags.
- bit 3-0 **GPIOMODE <3:0>:** GPIO Mode Field bits
 This bit field is out of scope.

3.2.1 PIE_x - INTERRUPT ENABLE REGISTERS

Register bits of PIE₁ to PIE₄ registers enable the appropriate interrupt sources to generate interrupts to the host MCU through INT pin. The interrupt is enabled when the appropriate bit is set to '1'.

REGISTER 3-4: PIE₁ (PERIPHERAL INTERRUPT ENABLE 1)

ADDRESS: **0x08**

R-0	R/W-1	R/W-1	R-0	R/W-1	R/W-1	R-0
r	RDYIE	IDLEIE	r	CALSOIE	CALHAIE	r
bit 7			bit 0			

Legend: R = Readable bit	W = Writable bit	U = Unimplemented bit, read as '0'
-n = Value at POR	'1' = Bit is set	'0' = Bit is cleared
r = Reserved		x = Bit is unknown

- bit 7-6 **Reserved:** Maintain as '0'
- bit 5 **RDYIE:** Ready Interrupt Enable bit
This bit masks the RDYIF interrupt bit.
- bit 4 **IDLEIE:** Idle Interrupt Enable bit
This bit masks the IDLEIF interrupt bit.
- bit 3 **Reserved:** Maintain as '0'
- bit 2 **CALSOIE:** Calibration Soft Interrupt Enable bit
This bit masks the CALSOIF interrupt bit.
- bit 1 **CALHAIE:** Calibration Hard Interrupt Enable bit
This bit masks the CALHAIF interrupt bit.
- bit 0 **Reserved:** Maintain as '0'

MRF24XA

REGISTER 3-5: PIE2 (PERIPHERAL INTERRUPT ENABLE 2)

ADDRESS: 0x09

R/W-1	R/W-1	R/W-0	R/W-1	R/W-1	R/W-1	R/W-1	R/W-1
TXIE	TXENCIE	TXMAIE	TXACKIE	TXCSMAIE	TXSZIE	TXOVFIE	FRMIE
bit 7							bit 0

Legend: R = Readable bit W = Writable bit U = Unimplemented bit, read as '0'
-n = Value at POR '1' = Bit is set '0' = Bit is cleared x = Bit is unknown
r = Reserved

- bit 7 **TXIE:** Transmit Interrupt Enable
This bit masks the TXIF interrupt register.
- bit 6 **TXENCIE:** Transmit Encryption and Authentication Interrupt Enable bit
This bit masks the TXENCIF interrupt register.
- bit 5 **TXMAIE:** Transmitter Medium Access Interrupt Enable bit
This bit masks the TXMAIF interrupt register.
- bit 4 **TXACKIE:** Transmission Unacknowledged Failure Interrupt Enable bit
This bit masks the TXACKIF interrupt register.
- bit 3 **TXCSMAIE:** Transmitter CSMA Failure Interrupt Enable bit
This bit masks the TXCSMAIF interrupt register.
- bit 2 **TXSZIE:** Transmit Packet Size Error Interrupt Enable bit
This bit masks the TXSZIF interrupt register.
- bit 1 **TXOVFIE:** Transmitter Overflow Interrupt Enable bit
This bit masks the TXOVFIF interrupt register.
- bit 0 **FRMIE:** Frame Format Error Interrupt Flag bit
This bit masks the FRMIF interrupt register.

REGISTER 3-6: PIE3 (PERIPHERAL INTERRUPT ENABLE 3)
ADDRESS: 0x0A

R/W-1	R/W-1	R/W-1	R-0	R/W-0	R/W-0	R/W-1	R/W-1
RXIE	RXDECIE	RXTAGIE	r	RXIDENTIE	RXFLTIE	RXOVFIE	STRMIE
bit 7							bit 0

Legend: R = Readable bit	W = Writable bit	U = Unimplemented bit, read as '0'
-n = Value at POR	'1' = Bit is set	'0' = Bit is cleared
r = Reserved		x = Bit is unknown

- bit 7 **RXIE:** Received Successful Interrupt Enable bit
This bit masks the RXIF interrupt register.
- bit 6 **RXDECIE:** Receiver Decryption/Authentication Passed Interrupt Enable bit
This bit masks the RXDECIF interrupt register.
- bit 5 **RXTAGIE:** Receiver Decryption/Authentication Failure Interrupt Enable bit
This bit masks the RXTAGIF interrupt register.
- bit 4 **Reserved:** Maintain as '0'
- bit 3 **RXIDENTIE:** Received Packet Identical Interrupt Enable bit
This bit masks the RXIDENTIF interrupt register.
- bit 2 **RXFLTIE:** Received Packet Filtered Interrupt Enable bit
This bit masks the RXFLTIF interrupt register.
- bit 1 **RXOVFIE:** Receiver Overflow Interrupt Enable bit
This bit masks the RXOVFIF interrupt register.
- bit 0 **STRMIE:** Receive Stream Time-Out Error Interrupt Enable bit
This bit masks the STRMIF interrupt register.

MRF24XA

REGISTER 3-7: PIE4 (PERIPHERAL INTERRUPT ENABLE 4)

ADDRESS: 0x0B

R/W-0	R/W-0	R/W-1	R/W-1	R/W-1	R/W-0	R/W-0	R/W-0
TXSFDIE	RXSFDIE	ERRORIE	WARNIE	EDCCAIE	GPIO2IE	GPIO1IE	GPIO0IE
bit 7							bit 0

Legend: R = Readable bit W = Writable bit U = Unimplemented bit, read as '0'
-n = Value at POR '1' = Bit is set '0' = Bit is cleared x = Bit is unknown
r = Reserved

- bit 7 **TXSFDIE:** Transmit SFD Sent Interrupt Enable bit
This bit masks the TXSFDIF interrupt register.
- bit 6 **RXSFDIE:** Receive SFD Detected Interrupt Enable bit
This bit masks the RXSFDIF Interrupt Enable.
- bit 5 **ERRORIE:** General Error Interrupt Enable bit
This bit masks the ERRORIF interrupt register.
- bit 4 **WARNIE:** Warning Interrupt Enable bit
This bit masks the WARNIF interrupt register.
- bit 3 **EDCCAIE:** Energy Detect/CCA Done Interrupt Enable bit
This bit masks the EDCCAIF interrupt register.
- bit 2 **GPIO2IE:** GPIO2 Interrupt Enable bit
This bit masks the GPIO2IF interrupt register.
- bit 1 **GPIO1IE:** GPIO1 Interrupt Enable bit
This bit masks the GPIO1IF interrupt register.
- bit 0 **GPIO0IE:** GPIO0 Interrupt Enable bit
This bit masks the GPIO0IF interrupt register.

3.2.2 PIRX- PERIPHERAL INTERRUPT REGISTERS

Register bits of PIR1 to PIR4 registers indicates the source of the interrupt. The interrupt must be enabled when the appropriate bit is set to '1' in the corresponding PIEx register. MRF24XA automatically clears the contents of the PIRX registers when the host MCU reads the content of the register. MCU must store the PIRX register values in the firmware as needed .

REGISTER 3-8: PIR1 (PERIPHERAL INTERRUPT REGISTER 1) ADDRESS: 0x04

R/HS-1	R-0	R/HS-0	R/W/HC-0	R-0	R/W/HS-0	R/W/HS-0	R-0
VREGIF	r	RDYIF	IDLEIF	r	CALSOIF	CALHAIF	r
bit 7							bit 0

Legend: R = Readable bit	W = Writable bit	U = Unimplemented bit, read as '0'	
-n = Value at POR	'1' = Bit is set	'0' = Bit is cleared	x = Bit is unknown
r = Reserved	HC = Hardware Clear	HS = Hardware Set	

bit 7 **VREGIF:** Voltage regulator On Interrupt Flag bit⁽¹⁾

This is a nonpersistent bit. The register bit initializes to 1 on 1.2V reset except when RESET is used and only cleared when PIR1 is read. Note that the corresponding IE bit is not implemented.

bit 6 **Reserved:** Maintain as '0'

bit 5 **RDYIF:** Ready state Interrupt Flag bit

Set each time when READY state is reached:

- When Calibration ended (CALST = 0)
- When initialization ended (INITDONESF = 1)
- When crystal is ramped up (XTALSF = 1)

This bit is cleared when PIR1 is read.

bit 4 **IDLEIF:** Idle state Interrupt Flag bit

Set each time the IDLESF is set and if MCU did not trigger this change. This is unchanged when MCU aborts an action by clearing either of TXST, TXENC, RXDEC, EDST or CCA bits. This bit is cleared when PIR1 is read.

bit 3 **Reserved:** Maintain as '0'

bit 2 **CALSOIF:** Calibration Soft Interrupt Flag bit

This flag indicates that maybe Calibration is needed (CALST) although the radio is still functional. It also warns of a possible degradation in signal quality and current consumption, and a risk of CALHAIF interrupt. This bit is cleared when PIR1 is read.

bit 1 **CALHAIF:** Calibration Hard Interrupt Flag bit

This flag indicates that immediate Calibration (CALST) is mandatory, otherwise the radio is not functional. The device enters into malfunction state. This bit is cleared when PIR1 is read.

bit 0 **Reserved:** Maintain as '0'

Note 1: Generated non-maskable interrupt is gated off until the 1.2V reset is released.

MRF24XA

REGISTER 3-9: PIR2 (PERIPHERAL INTERRUPT REGISTER 2)

ADDRESS: **0x05**

R/W/HS/HC-0	R/W/HS/HC-0	R/W/HS/HC-0	R/W/HS/HC-0	R/W/HS/HC-0	R/W/HS/HC-0	R/W/HS/HC-0	R/W/HS/HC-0
TXIF	TXENCIF	TXMAIF	TXACKIF	TXCSMAIF	TXSZIF	TXOVFIF	FRMIF
bit 7							bit 0

Legend: R = Readable bit	W = Writable bit	U = Unimplemented bit, read as '0'
-n = Value at POR	'1' = Bit is set	'0' = Bit is cleared
r = Reserved		x = Bit is unknown

- bit 7 **TXIF:** Transmission Done Interrupt Flag bit
 The current TX operation (TXST) is successfully completed. This event becomes unchanged when a hardware generated ACK packet completed the transmission or when a packet is repeated. Nonpersistent, cleared by SPI read.
- bit 6 **TXENCIF:** Transmit Encoding Interrupt Flag bit
 The TX packet was successfully encrypted or complemented, or both with a Message Integrity Code (MIC). Set by the device after TXENC = 1, when TXENC is cleared. Nonpersistent, cleared by SPI read.
- bit 5 **TXMAIF:** Transmitter Medium Access Interrupt Flag bit
 Set by the device when the medium is accessed, specifically when the first sample in the preamble is transmitted into the air. Nonpersistent, cleared by SPI read.
- bit 4 **TXACKIF:** Transmission Unacknowledged Failure Interrupt Flag bit
 Set by the device when Acknowledge is not received after the configured maximum number of transmission retries RETXMCNT<3:0>, provided that the Frame Control field of the transmitted frame indicates AckReq = 1 and AUTOACKEN = 1. Nonpersistent, cleared by SPI read.
- bit 3 **TXCSMAIF:** Transmitter CSMA Failure Interrupt Flag bit
 Set by the device when CSMA-CA finds the channel busy for BOMCNT<2:0> number of times, provided that CSMAEN = 1 is configured. Nonpersistent, cleared by SPI read.
- bit 2 **TXSZIF:** Transmit Packet Size Error Interrupt Flag bit
 Following TXST is set the packet size (including MIC tags and CRC) is found to be zero or to be greater than the maximum size that the buffers can support. Nonpersistent, cleared by SPI read.
- bit 1 **TXOVFIF:** Transmitter Overflow Interrupt Flag bit
 The Host Controller attempted to write a TX buffer that was not empty (TXBUFEMPTY = 0). Nonpersistent, cleared by SPI read.
- bit 0 **FRMIF:** Frame Format Error Interrupt Flag bit
 Set if the transmitter/receiver fails to parse the frame in the buffer (it is not as it must be or it is corrupted in demodulation). Nonpersistent, cleared by SPI read.

REGISTER 3-10: PIR3 (PERIPHERAL INTERRUPT REGISTER 3)
ADDRESS: 0x06

R/W/HS/HC-0	R/W/HS/HC-0	R/W/HS/HC-0	R-0	R/W/HS/HC-0	R/W/HS/HC-0	R/W/HS/HC-0	R/W/HS/HC-0
RXIF	RXDECIF	RXTAGIF	r	RXIDENTIF	RXFLTIF	RXOVFIF	STRMIF
bit 7							bit 0

Legend: R = Readable bit	W = Writable bit	U = Unimplemented bit, read as '0'
-n = Value at POR	'1' = Bit is set	'0' = Bit is cleared
r = Reserved	HC = Hardware Clear	HS = Hardware Set
		x = Bit is unknown

- bit 7 **RXIF:** Received Successful Interrupt Flag bit
Set by the device when a frame passed packet filtering and accepted, refer to [Register 5-1](#). This interrupt flag is only set once for a packet and is not set when the packet is the duplicate of a repeated transmission (sequence number matches with the previously received frame). Nonpersistent, cleared by SPI read.
- bit 6 **RXDECIF:** Receiver Decryption/Authentication Passed Interrupt Flag bit
Set by the device when decryption/authentication finished without error.
Nonpersistent, cleared by SPI read.
- bit 5 **RXTAGIF:** Receiver Decryption/Authentication Failure Interrupt Flag bit
Set by the device when decryption/authentication finished with error.
Nonpersistent, cleared by SPI read.
- bit 4 **Reserved:** Maintain as '0'
- bit 3 **RXIDENTIF:** Received Packet Identical Interrupt Flag bit
Set by the device when the packet is the duplicate of a repeated transmission (sequence number, source address matches with the previously received frame).
Nonpersistent, cleared by SPI read.
- bit 2 **RXFLTIF:** Received Packet Filtered Interrupt Flag bit
Set by the device when a packet was received, but rejected by one or more RX filters, refer to [Register 5-1](#). Nonpersistent, cleared by SPI read.
- bit 1 **RXOVFIF:** Receiver Overflow Error Interrupt Flag bit
Set by the device to indicate that a packet was received, but all RX buffers were full. Consequently the packet was not received, but was discarded instead⁽¹⁾.
Nonpersistent, cleared by SPI read.
- bit 0 **STRMIF:** Receive Stream Time-Out Error Interrupt Flag bit
Set by the device to indicate the duration specified in STRMTO elapsed since the last received packet while in RX-Streaming mode, and the MAC clears the stored sequence number.
Nonpersistent, cleared by SPI read.

Note 1: In Packet mode, use a single buffer for received frames. In RX-Streaming mode, use both buffers for reception.

MRF24XA

REGISTER 3-11: PIR4 (PERIPHERAL INTERRUPT REGISTER 4)

ADDRESS: 0x07

R/W/HS/Hc-0	R/W/HS/Hc-0	R/W/HS/Hc-0	R/W/HS/Hc-0	R/W/HS/Hc-0	R/W/HS/Hc-0	R/W/HS/Hc-0	R/W/HS/Hc-0
TXSFDIF	RXSFDIF	ERRORIF	WARNIF	EDCCAIF	GPIO2IF	GPIO1IF	GPIO0IF
bit 7							bit 0

Legend: R = Readable bit W = Writable bit U = Unimplemented bit, read as '0'
 -n = Value at POR '1' = Bit is set '0' = Bit is cleared x = Bit is unknown
 r = Reserved HC = Hardware Clear HS = Hardware Set

- bit 7 **TXSFDIF:** Transmit SFD Sent Interrupt Flag bit
Set by the device when the last sample of the SFD field is sent into the air.
Nonpersistent, cleared by SPI read.
- bit 6 **RXSFDIF:** Receive SFD Detected Interrupt Flag bit
Set by the device when the SFD field of the received frame is detected⁽¹⁾.
Nonpersistent, cleared by SPI read.
- bit 5 **ERRORIF:** General Error Interrupt Flag bit
Set by the device, when malfunction state is reached.
- bit 4 **WARNIF:** Warning Interrupt Flag bit
Set by the device when one of the following is occurred:
 - Battery voltage drops below the threshold by BATMON<4:0> at 0x3F
 - Indicating that resistor is missing or not connected well
- bit 3 **EDCCAIF:** Energy Detect/CCA Done Interrupt Flag bit
Set by the device when Energy-detect or CCA measurement is complete (following that the host MCU sets the EDST/CCAST bit to start the measurement and the device is clearing it in on completion).
Nonpersistent. Cleared by SPI read.
- bit 2 **GPIO2IF:** GPIO2 Interrupt Flag bit
Set by the device if the GPIOMODE register is set to normal operation, the GPIO is enabled and configured to input and the level matches with the polarity.
- bit 1 **GPIO1IF:** GPIO1 Interrupt Flag bit
Set by the device if the GPIOMODE register is set to normal operation, the GPIO is enabled and configured to input and the level matches with the polarity.
- bit 0 **GPIO0IF:** GPIO0 Interrupt Flag bit
Set by the device if the GPIOMODE register is set to normal operation, the GPIO is enabled and configured to input and the level matches with the polarity.

Note 1: The detection latency (0...1 μs after the last sample of the SFD). Note that the SFD may trigger on noise or interference. Note that the CFOMEAS<7:0> indication becomes valid when RXSFDIF is asserted.

TABLE 3-2: REGISTERS ASSOCIATED WITH INTERRUPTS

Name	Bit 7	Bit 6	Bit 5	Bit 4	Bit 3	Bit 2	Bit 1	Bit 0
PIR1	VREGIF	r	RDYIF	IDLEIF	r	CALSOIF	CALHAIF	r
PIR2	TXIF	TXENCIF	TXMAIF	TXACKIF	TXCSMAIF	TXSZIF	TXOVFIF	FRMIF
PIR3	RXIF	RXDECIF	RXTAGIF	r	RXIDENTIF	RXFLTIF	RXOVFIF	STRMIF
PIR4	TXSFDIF	RXSFDIF	ERRORIF	WARNIF	EDCCAIF	GPIO2IF	GPIO1IF	GPIO0IF
PIE1	r		RDYIE	IDLEIE	r	CALSOIE	CALHAIE	r
PIE2	TXIE	TXENCIE	TXMAIE	TXACKIE	TXCSMAIE	TXSZIE	TXOVFIE	FRMIE
PIE3	RXIE	RXDECIE	RXTAGIE	r	RXIDENTIE	RXFLTIE	RXOVFIE	STRMIE
PIE4	TXSFDIE	RXSFDIE	ERRORMIE	WARNIE	EDCCAIE	GPIO2IE	GPIO1IE	GPIO0IE
PINCON	r	GIE	r	IRQIF	GPIOMODE<3:0>			

Legend: r = Reserved.

3.3 GPIO Functions and GPIO Interrupts

MRF24XA has three GPIO pins, GPIO2 pin 12, GPIO1 pin 11 and GPIO0 pin 10. GPIO pins are used as general purpose IO pins or GPIOs can monitor internal states.

Refer to [Register 3-17](#) for more information on GPIO monitoring.

3.3.1 GPIO GENERAL IO FUNCTIONALITIES

To operate MRF24XA GPIOx pins in general purpose IO mode, set GPIOEN bit (0x0D<7>) to '1' and set GPIOMODE<3:0> bits (0x0C<3:0>) to '0000'.

The TRISGPIOx bits (0x0D<6:4>) configures the input or output selection of GPIOs. Clearing the TRISGPIOx bit sets the appropriate GPIO line to Output mode. Input the default GPIO line direction after POR.

GPIO lines in Input mode are used with Schmitt Trigger input buffers. STENGPIOx bits (0x0E<2:0>) enables the Schmitt Triggers. Setting the STENGPIOx bit to '1' enables Schmitt Trigger input of the appropriate pin.

GPIO data is read or written to through the GPIO bits (0x0D<2:0>).

GPIO lines can have active pull-up or pull-down. PULLENGPIOx (0x0F<2:0>) bits enable line pulling function. Setting PULLENGPIOx bit to '1' enables active pull-up or pull-down circuit. PULLDIRGPIOx bit (0x0F<6:4>) sets the pull direction. Setting PULLDIRGPIOx bit to '1' defines pull-up, while clearing the bit defines pull-down on the appropriate GPIO line.

3.3.2 GPIO INTERRUPT HANDLING

GPIO lines can also generate interrupts. To use GPIO interrupts, set the appropriate GPIOxIE bit (0x0B<2:0>) to '1' to enable the interrupt generation. To enable interrupt generation on $\overline{\text{INT}}$ pin, set GIE bit (0x0C<6>) to '1'. The GPIO interrupt polarity is selected through GPIOxP bits (0x0E<6:4>). Setting GPIOxP bit to '1' triggers interrupt logic at the rising edge of the input signal. While clearing the bit enables interrupt generation on the falling edge of the input pin.

MRF24XA

REGISTER 3-12: PIR4 (PERIPHERAL INTERRUPT REGISTER 4)

ADDRESS: **0x07**

R/W/HS/HC-0	R/W/HS/HC-0	R/W/HS/HC-0	R/W/HS/HC-0	R/W/HS/HC-0	R/W/HS/HC-0	R/W/HS/HC-0	R/W/HS/HC-0
TXSFDIF	RXSFDIF	ERRORIF	WARNIF	EDCCAIF	GPIO2IF	GPIO1IF	GPIO0IF
bit 7						bit 0	

Legend: R = Readable bit	W = Writable bit	U = Unimplemented bit, read as '0'
-n = Value at POR	'1' = Bit is set	'0' = Bit is cleared
r = Reserved		x = Bit is unknown

- bit 7-3 Out of scope
- bit 2 **GPIO2IF:** GPIO2 Interrupt Flag bit
Set by the device if the GPIOMODE register is set to normal operation, the GPIO is enabled and configured to input and the level matches with the polarity.
- bit 1 **GPIO1IF:** GPIO1 Interrupt Flag bit
Set by the device if the GPIOMODE register is set to normal operation, the GPIO is enabled and configured to input and the level matches with the polarity.
- bit 0 **GPIO0IF:** GPIO0 Interrupt Flag bit
Set by the device if the GPIOMODE register is set to normal operation, the GPIO is enabled and configured to input and the level matches with the polarity.

REGISTER 3-13: PIE4 (PERIPHERAL INTERRUPT ENABLE 4)

ADDRESS: **0x0B**

R/W-0	R/W-0	R/W-1	R/W-1	R/W-1	R/W-0	R/W-0	R/W-0
TXSFDIE	RXSFDIE	ERRORIE	WARNIE	EDCCAIE	GPIO2IE	GPIO1IE	GPIO0IE
bit 7						bit 0	

Legend: R = Readable bit	W = Writable bit	U = Unimplemented bit, read as '0'
-n = Value at POR	'1' = Bit is set	'0' = Bit is cleared
r = Reserved		x = Bit is unknown

- bit 7-3 Out of scope
- bit 2 **GPIO2IE:** GPIO2 Interrupt Enable bit
This bit masks the GPIO2IF interrupt register.
- bit 1 **GPIO1IE:** GPIO1 Interrupt Enable bit
This bit masks the GPIO1IF interrupt register.
- bit 0 **GPIO0IE:** GPIO0 Interrupt Enable bit
This bit masks the GPIO0IF interrupt register.

REGISTER 3-14: GPIO (GENERAL PURPOSE I/O REGISTER)
ADDRESS: 0x0D

R/W-0	R/W-1	R/W-1	R/W-1	R-0	R/W-0	R/W-0	R/W-0
GPIOEN	TRISGPIO2	TRISGPIO1	TRISGPIO0	r	GPIO2	GPIO1	GPIO0
bit 7							bit 0

Legend: R = Readable bit	W = Writable bit	U = Unimplemented bit, read as '0'
-n = Value at POR	'1' = Bit is set	'0' = Bit is cleared
r = Reserved		x = Bit is unknown

- bit 7 **GPIOEN:** GPIO Enable bit
This bit enables the GPIO's control, if GPIOMODE is only configured into Normal mode. The other GPIOMODE Configuration automatically controls GPIO pins.
- bit 6 **TRISGPIO2:** Tri-state Control for GPIO 2 Pin bit
If set, the pin is configured into Input mode. Value reads from GPIO2 bit.
If cleared, the pin is configured into Output mode. Value sets through the GPIO2 bit.
- bit 5 **TRISGPIO1:** Tri-state Control for GPIO 1 Pin bit
If set, the pin is configured into Input mode. Value reads from GPIO1 bit.
If cleared, the pin is configured into Output mode. Value sets through the GPIO1 bit.
- bit 4 **TRISGPIO0:** Tri-state Control for GPIO 0 Pin bit
If set, the pin is configured into Input mode. Value reads from GPIO0 bit.
If cleared, the pin is configured into Output mode. Value sets through the GPIO0 bit.
- bit 3 **Reserved:** Maintain as '0'
- bit 2 **GPIO2:** GPIO 2 Value bit
This bit represents the value on the GPIO 2 pin.
- bit 1 **GPIO1:** GPIO 1 Value bit
This bit represents the value on the GPIO 1 pin.
- bit 0 **GPIO0:** GPIO 0 Value bit
This bit represents the value on the GPIO 0 pin.

MRF24XA

REGISTER 3-15: STGPIO (SCHMITT TRIGGER GENERAL PURPOSE I/O REGISTER)

ADDRESS: 0x0E

R-0	R/W-0	R/W-0	R/W-0	R-0	R/W-0	R/W-0	R/W-0
r	GPIO2P	GPIO1P	GPIO0P	r	STENGPIO2	STENGPIO1	STENGPIO0
bit 7				bit 0			

Legend: R = Readable bit W = Writable bit U = Unimplemented bit, read as '0'
 -n = Value at POR '1' = Bit is set '0' = Bit is cleared x = Bit is unknown
 r = Reserved

- bit 7 **Reserved:** Maintain as '0'
- bit 6 **GPIO2P:** GPIO 2 Polarity bit
 This bit controls GPIO2IF polarity when configured into Input mode.
 1 = Rising edge
 0 = Falling edge
- bit 5 **GPIO1P:** GPIO 1 Polarity bit
 This bit controls GPIO1IF polarity when configured into Input mode.
 1 = Rising edge
 0 = Falling edge
- bit 4 **GPIO0P:** GPIO 0 Polarity bit
 This bit controls GPIO0IF polarity when configured into Input mode.
 1 = Rising edge
 0 = Falling edge
- bit 3 **Reserved:** Maintain as '0'
- bit 2 **STENGPIO2:** Schmitt Trigger Enable GPIO 2
 This bit enables Schmitt-trigger circuit on GPIO 2 pad and turns off by default.
 1 = Schmitt trigger enabled
 0 = Schmitt trigger disabled
- bit 1 **STENGPIO1:** Schmitt Trigger Enable GPIO 1
 This bit enables Schmitt-trigger circuit on GPIO 1 pad and turns off by default.
 1 = Schmitt trigger enabled
 0 = Schmitt trigger disabled
- bit 0 **STENGPIO0:** Schmitt Trigger Enable GPIO 0
 This bit enables Schmitt-trigger circuit on GPIO 0 pad and turns off by default.
 1 = Schmitt trigger enabled
 0 = Schmitt trigger disabled

REGISTER 3-16: PULLGPIO (PULL CONTROL GENERAL PURPOSE I/O REGISTER)

ADDRESS: 0x0F

R-0	R/W-0	R/W-0	R/W-0	R-0	R/W-0	R/W-0	R/W-0
r	PULLDIRGPIO2	PULLDIRGPIO1	PULLDIRGPIO0	r	PULLENGPIO2	PULLENGPIO1	PULLENGPIO0
bit 7				bit 0			

Legend: R = Readable bit	W = Writable bit	U = Unimplemented bit, read as '0'
-n = Value at POR	'1' = Bit is set	'0' = Bit is cleared
r = Reserved		x = Bit is unknown

bit 7 **Reserved:** Maintain as '0'

bit 6 **PULLDIRGPIO2:** Pull Direction on GPIO 2 bit
 These bits control the 75 kOhm weak-pull circuit direction on GPIO 2 pin.
 1 = Pull-up
 0 = Pull-down

bit 5 **PULLDIRGPIO1:** Pull Direction on GPIO 1 bit
 These bits control the 75 kOhm weak-pull circuit direction on GPIO 1 pin.
 1 = Pull-up
 0 = Pull-down

bit 4 **PULLDIRGPIO0:** Pull Direction on GPIO 0 bit
 These bits control the 75 kOhm weak-pull circuit direction on GPIO 0 pin.
 1 = Pull-up
 0 = Pull-down

bit 3 **Reserved:** Maintain as '0'

bit 2 **PULLENGPIO2:** Pull Enable on GPIO 2 bit
 This bit enables to weak-pull circuit in GPIO 2 pin. Note that when pin is configured to output, weak-pull circuit automatically disables.
 1 = Pull enabled
 0 = Pull disabled

bit 1 **PULLENGPIO1:** Pull Enable on GPIO 1 bit
 This bit enables to weak-pull circuit in GPIO 1 pin. Note that when pin is configured to output, weak-pull circuit automatically disables.
 1 = Pull enabled
 0 = Pull disabled

bit 0 **PULLENGPIO0:** Pull Enable on GPIO 0 bit
 This bit enables to weak-pull circuit in GPIO 0 pin. Note that when pin is configured to output, weak-pull circuit automatically disables.
 1 = Pull enabled
 0 = Pull disabled

MRF24XA

REGISTER 3-17: PINCON (PIN CONFIGURATION REGISTER)

ADDRESS: 0x0C

R-0	R/W-1	R-0	R-1	R/W-0000
r	GIE	r	IRQIF	GPIOMODE<3:0>
bit 7				bit 0

Legend: R = Readable bit W = Writable bit U = Unimplemented bit, read as '0'
 -n = Value at POR '1' = Bit is set '0' = Bit is cleared x = Bit is unknown
 r = Reserved

- bit 7 **Reserved:** Maintain as '0'
- bit 6 **GIE:** General Interrupt Enable bit
 This bit enables to output IRQIF on $\overline{\text{INT}}$ pin. Note that the polarity of $\overline{\text{INT}}$ pin is active-low.
- bit 5 **Reserved:** Maintain as '0'
- bit 4 **IRQIF:** Interrupt Request Pending bit
 This bit is the OR relationship of the enabled interrupt flags.
- bit 3-0 **GPIOMODE <3:0>:** GPIO Mode Field bit
 This field allows redefining the functionality of the GPIO pins Encoding:
 - 11xx = Reserved
 - 1011 = GPIO pins are used for Receive streaming (RXSTREAM). Pins GPIO<2:0> are used to output {RXWRBUF, BUSRDBUF, RXBUFFUL}.
 - 1010 = GPIO pins are used for Transmit streaming (TXSTREAM). Pins GPIO<2:0> are used to output {TXRDBUF, BUSWRBUF, TXBUFEMPTY}.
 - 1001 = Reserved
 - 1000 = Reserved
 - 0111 = Reserved
 - 0110 = Reserved
 - 0101 = Intended for supporting Precise Network Time Synchronization (TIMESYN). GPIO<0> is used to output TX, while GPIO<1> to output RX SFD indication pulses. GPIO<2> is used in "NORMAL" operation mode.
 - 0100 = GPIO pins are used for Radio monitoring (RFMON). Pins GPIO<2:0> are used to output RFOP<2:0>.
 - 0011 = GPIO pins are used for MAC monitoring (MACMON). Pins GPIO<2:0> are used to output MACOP<3:1>.
 - 0010 = GPIO pins are used for RXFSM monitoring (RXFSMMON). Pins GPIO<2:0> are used to output receiver state-machine
 - 000 = Preamble search
 - 001 = Hi-rate SFD search
 - 010 = Mid-rate SFD search
 - 011 = Low-rate SFD search
 - 100 = Legacy length field processing
 - 101 = Payload processing
 - 0001 = GPIO pins are used for AGC monitoring (AGCMON). Pins GPIO<2:0> are used to output {AGC-HOLD, GAIN<1:0>} where AGCHOLD is an internal flag set when a receiver detects a preamble and clears when the AGC is set free after the end of the frame.
 - 0000 = GPIO pins are used as General Purpose I/O's by the host MCU (NORMAL).

TABLE 3-3: REGISTERS ASSOCIATED WITH GPIO FUNCTIONALITIES

Name	Bit 7	Bit 6	Bit 5	Bit 4	Bit 3	Bit 2	Bit 1	Bit 0
PIR4	TXSFDIF	RXSFDIF	ERRORIF	WARNIF	EDCCAIF	GPIO2IF	GPIO1IF	GPIO0IF
PIE4	TXSFDIE	RXSFDIE	ERRORIE	WARNIE	EDCCAIE	GPIO2IE	GPIO1IE	GPIO0IE
GPIO	GPIOEN	TRISGPIO2	TRISGPIO1	TRISGPIO0	r	GPIO2	GPIO1	GPIO0
STGPIO	r	GPIO2P	GPIO1P	GPIO0P	r	STENGPIO2	STENGPIO1	STENGPIO0
PULLGPIO	r	PULLDIRGPIO2	PULLDIRGPIO1	PULLDIRGPIO0	r	PULLENGPIO2	PULLENGPIO1	PULLENGPIO0
PINCON	r	GIE	r	IRQIF	GPIO MODE<3:0>			

Legend: r = Reserved, read as '0'.

3.4 PA and LNA Outputs

MRF24XA has a Power Amplifier (PA) control pin (pin 20) and a Low Noise Amplifier (LNA) control pin (pin 21). These pins are capable of handling external PAs and LNAs or external antenna switch circuits. MRF24XA can also tolerate different start-up times of different external circuits by sending or accepting data if the external circuits completes their ramp up. MRF24XA can handle both active-high or active-low control signal sensitive circuits.

For more information, refer to **Section 9.13 “External Power Amplifier (PA)/Low-Noise Amplifier (LNA)”**.

3.5 Battery Monitor

The voltage level on the battery is monitored. If the battery monitoring is enabled and the voltage level drops below a threshold, voltage interrupt (WARNIF) is asserted. Refer to [Register 3-18](#) for more information on the battery.

REGISTER 3-18: BATMON (BATTERY MONITOR CONFIGURATION REGISTER) ADDRESS: 0x3F

R-0	RW-1	RW-1111
r	BATMONPD	BATMON<4:0>
bit 7		bit 0

Legend: R = Readable bit W = Writable bit U = Unimplemented bit, read as '0'
 -n = Value at POR '1' = Bit is set '0' = Bit is cleared x = Bit is unknown
 r = Reserved

bit 7-6 **Reserved:** Maintain as '0'

bit 5 **BATMONPD:** Battery Monitor Power-Down bit

If battery monitor is working and battery voltage drops below the threshold by BATMON<4:0> then WARNIF is set.

1 = Battery monitor is OFF

0 = Battery monitor is working

bit 4-0 **BATMON<4:0>:** Battery Monitor Threshold Field bits

$$V_{THRESHOLD} = 3.6 - 0.071 * BATMON<4:0> (V)$$

MRF24XA

NOTES:

4.0 GENERAL TRANSCEIVER OPERATIONS

4.1 MAC Architecture

The architecture of MAC layer processing is illustrated in [Figure 4-1](#).

In reception, the receive signal processor acquires the synchronization header of the frame on-air, and demodulates the frame starting from the LENGTH field. The demodulated data is written directly into the Receiver Buffer (Default, Buffer 2) if the targeted buffer is declared empty (RXBUFFFUL = 0). After LENGTH number of bytes are received into the buffer and RSV data are appended, the frame is parsed according to the selected Framing mode (IEEE 802.15.4 or proprietary). The Frame Control Sequence (FCS) is checked to detect corruption by noise. Corrupted frames or frames not addressed to this node are rejected (discarded), which the host configures. Rejection means that reception is completed now and the Receive Buffer status remains empty (RXBUFFFUL = 0). It is configurable whether the frame is discarded silently or generates an interrupt to the host.

If a frame is accepted and Acknowledge is requested for the frame, then the radio turns to transmit and sends an Acknowledgment. As other features, automatic ACK-sending are enabled or bypassed.

If the frame is the duplicate of a previously received and accepted frame then the frame is discarded (following Acknowledgment). Otherwise, the frame is the first copy of an accepted frame, which must be reported to the host. To lock the buffer from being overwritten by a new frame, RXBUFFFUL is automatically set (1). RXIF interrupt is generated for the host, which completes the reception.

The host MCU can only access the Receive Buffer when RXBUFFFUL is set (1). To free up the buffer, the host clears RXBUFFFUL (0).

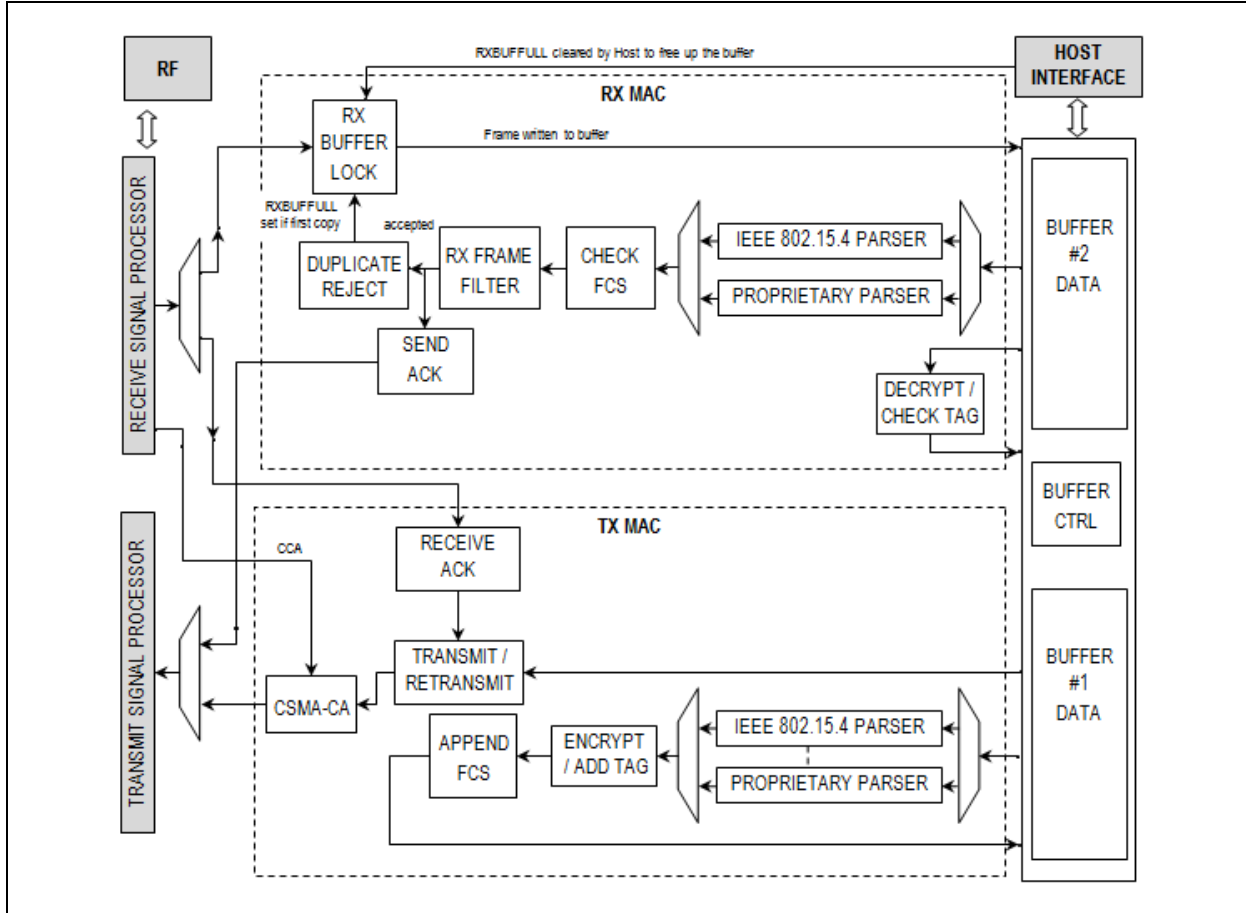
If the frame is encrypted or contains an authentication tag (MIC), the host MCU must run the decrypt/authenticate operation before it reads the payload and frees up the buffer.

When sending, the host MCU constructs the frame and downloads it to the transmit buffer (Default, Buffer 0), and triggers transmission after the last byte. The device processes the content of the buffer in-place. After parsing, a security processing takes place if required, finally an FCS is generated and appended to the frame. The LENGTH is adjusted each time an authentication tag (MIC) or FCS is appended to the frame.

After in-place frame processing the medium is accessed using the Carrier Sense Multiple Access with Collision Avoidance (CSMA-CA). The RF transmit chain is only enabled when the channel is free, or if CSMA is bypassed. As soon as the RF can transmit, the Transmit Signal Processor starts sending the Synchronization Header (SHR) and followed by the buffer content up the FCS. If an Acknowledgment is requested then the RF chain is turned into receive. If ACK is not received before the expiration of a time-out, the transmission can automatically start over from CSMA through SHR-transmission, and then transmitting the SHR-transmission frame if configured. After successful sending an interrupt is generated to the host MCU. Only either the TX MAC or the RX MAC is active at a time.

MRF24XA

FIGURE 4-1: MAC FUNCTIONAL BLOCK DIAGRAM



4.2 Operations Overview

4.2.1 TERMINOLOGY

Node denotes the wireless communication node that is formed by a MRF24XA device and a host MCU. Device denotes the MRF24XA device. Software/SW denotes the software running in the Host MCU. The device does not contain a processor core that runs software. Frame and Packet are used interchangeably.

4.2.2 HOST INTERFACE

The host MCU controls the device over SPI (max. 10 MHz), whereas the device indicates task completion or failure events, and frames received over the air by raising an interrupt. Most interrupt flags are masked, which means that these are still set on the respective event, but cannot activate the interrupt pin on the device. The host services the interrupts through reading the interrupt register. The interrupt bytes are self-cleared on SPI-read. Using the convention, the “IF” suffix in mnemonics refers to “Interrupt Flag”. For example, TXIF and RXIF. For software troubleshooting, the host can set the interrupt flags.

4.2.3 BUFFERS

The device has two frame buffers (128 bytes each). SPI allows accessing each byte in the frame buffer at its own address. As the default, the buffer starting at address 0x200 is used for transmission (BUF1) and the buffer starting at address 0x300 is used for reception (BUF2).

4.2.4 OPERATING STATES

The Figure 4-3 chart describes the top-level state machine of MRF24XA, including the valid state transitions. Note that the register access can also perform the other transitions, however these may result in an unexpected behavior.

For more information on the MRF24XA Power modes on power consumption in each state, refer to Table 2-1.

4.2.4.1 Description of Each State

- RADIO IN PIN RESET: MCU keeps nRST pin low. Radio is in reset, functions are unavailable.
- POWER OFF: Voltage on 3V3 pin is 0V. Radio is shut down.

- INIT (RST = 1): Internal state. Radio performs automatic initialization after Power or Pin Reset. In this state, SPI is active and TX buffer can be pre-loaded. Register access is limited to 0x00 - 0x07.
- INIT (RST = 0): Internal state. Radio performs automatic initialization to recover from Deep Sleep. In this state, SPI is active and TX buffer can be pre-loaded. Register access is limited to 0x00 - 0x07.
- DEEP SLEEP: The radio is in an extremely low-power state. Current consumption is 40 nA. All parts, including the 1V2 on-chip regulator, is turned off. 3V3 backup memory is only powered to keep the register settings. To maintain the settings, the chip must not be powered down completely.
- INITIAL CALIBRATION: After reset, some internal circuits must be calibrated. The radio automatically performs these calibrations. In case some problem occurs during Calibration, the chip remains in this state.
- RADIO OFF: This is the first stable state after power cycle or pin reset. The radio is ready for all operations, every register is accessible. Even if crystal is running, it takes 50 μ s for the synthesizer to ramp up before RX or TX mode gets enabled.
- IDLE: Radio is up and all registers are accessible. Crystal and synthesizer are up and running to reduce transition to RX or TX.
- SLEEP: Only the regulator is powered on, crystal is not running. This state may be used for pre-loading register values or TX buffer. No other functionality are available.
- RX Listen and RX Listen Power Save: Radio awaits for packets to arrive and to be received. All registers are accessible and TX buffer may be loaded. Even if PSAV is enabled, the operation remains the same. The difference displays in power consumption and sensitivity.
- RX FRAME: Temporary internal state for the actual packet reception process.
- TX FRAME: Temporary internal state for sending out a packet from TX buffer.

4.2.4.2 Detailed Transition Description

1: MCU releases nRST. Radio moves into INIT (RST = 1) mode. In case there were no power cycles, POR bit retains its state.

2: Radio gets powered on. POR bit sets to 1 and VREGIF is set when the 1V2 regulator is up. VREGIF is not maskable.

3: To start recovery from Deep Sleep mode, a dummy SPI read operation (at least four changes on SDI line) is required from the MCU. The first interrupt after wake-up is VREGIF, which indicates the start of the on-chip

1.2V regulator. The SPI is operational at this point that enables the MCU to service the interrupt by reading the interrupt source register. POR flag retains its state before Deep Sleep mode. Transmit buffers are accessible for preloads. After the crystal oscillator becomes stabilized (1-3 ms; 1,4 ms typical), the device sets the RDYIF interrupt without going through recalibration, and then all the registers become accessible. Previously stored Configuration is retained during Deep Sleep, thus Calibration is not necessary.

4: In case radio was started with any kind of reset, Calibration is needed. Transition from INIT state and the initial Calibration are automatically done.

5: Theoretically, it is possible that Calibration fails. In that case, the chip remains in this internal state. Further information in STATUS register description.

6: Automatic transition to Radio OFF after successful Calibration.

7: Radio automatically turns to OFF mode after the register values are restored and RX is disabled before Deep Sleep.

8: In case RX is enabled before Deep Sleep, radio automatically turns back to RX or RX Power Save mode.

9, 12: To initiate transition to Sleep mode, MCU must set XTALDIS bit. Note that Sleep mode is only accessible from Idle and Radio OFF mode.

10: To recover from Sleep mode MCU must clear XTALDIS bit. Afterwards crystal ramps up and radio turns back to OFF modes.

11: Transferring to Deep Sleep mode. MCU must clear POR bit and all interrupt registers and set DSLEEP bit afterwards.

13, 14: RX mode is accessible from Radio OFF and Idle mode. The only difference is in transition time: from OFF mode user must Wait for synthesizer to ramp up.

15: MCU clears RXEN bit to go back to Idle. For further information on transition, see check point 20.

16, 17 and 18: MCU sets TXST to transmit packet from buffer. The difference is in transition time: from OFF mode user must Wait for synthesizer to ramp up.

19, 21: Radio turns back to Idle mode (if started from Idle or OFF mode) after the packet is sent or the MCU clears the TXST bit. Transition to RX takes place if RXEN bit is set on high before setting TXST.

20: Transition depends on OFFTM register settings. When TXST or RXEN bits are cleared, radio waits OFFTM number of Base time units and then it turns to OFF mode to save power. To disable automatic transition, set OFFTM to 0xFF.

22: Automatic transition if radio detects a packet being transmitted over air.

MRF24XA

23: Transition after packet reception is over or MCU clears RXEN bit

TABLE 4-1: TRANSITION TIMES

Starting State	Destination State	Radio internal tasks	Typ. Transition Time.
Power OFF	Radio OFF	Regulator, XTAL ramp up and Calibration	1.6 ms ⁽¹⁾
Pin Reset	Radio OFF	XTAL ramp up, Calibration	1.4 ms ⁽¹⁾
Radio OFF, IDLE, RX	DEEP SLEEP	Save registers, shut down 1V2 LDO	45 ms ⁽²⁾
DEEP SLEEP	Radio OFF	Regulator and XTAL ramp up, register recovery	1.6 ms ⁽¹⁾
DEEP SLEEP	RX	Regulator and XTAL ramp up, register recovery, synthesizer on	1.65 ms ⁽¹⁾
Radio OFF	RX Listen	Synthesizer ramp up, Power on RX front end	57 μ s
Radio OFF	TX Frame	Synthesizer ramp up, Power on TX front end	52 μ s
IDLE	RX Listen	Power on RX front end	6.8 μ s
IDLE	TX Frame	Power on TX front end	1.3 μ s
Radio OFF	SLEEP	Crystal power off	25 μ s
SLEEP	Radio OFF	Crystal ramp up	1.4 ms ⁽¹⁾

Note 1: XTAL ramp up time is depending on temperature. Minimum values 1 ms, typical value 1.4 ms, maximum value 3 ms

2: This time is referring to the complete discharge time on the internally regulated 1V2 bus and may depend on the actual capacitance on this network.

FIGURE 4-2: TRANSITION FROM DEEP SLEEP TO RX LISTEN POWER-SAVE MODE

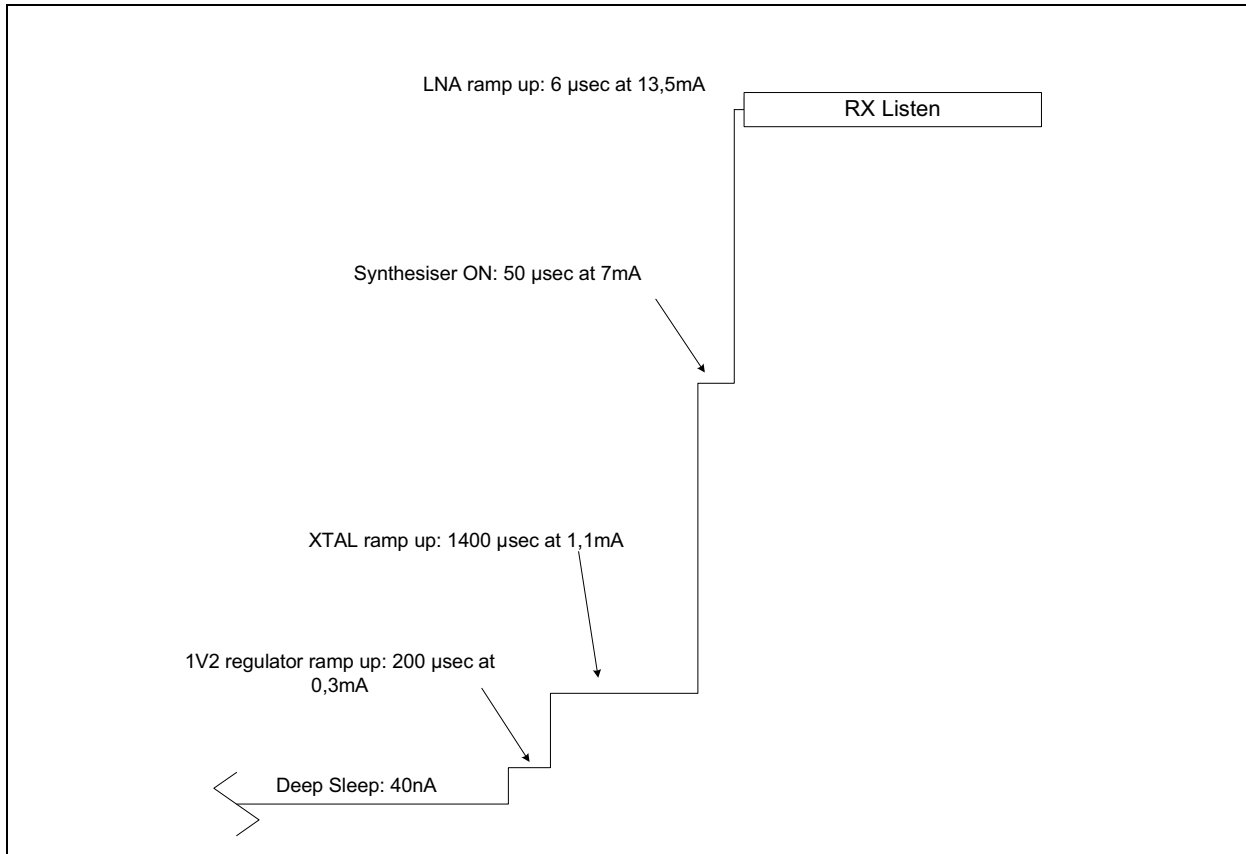
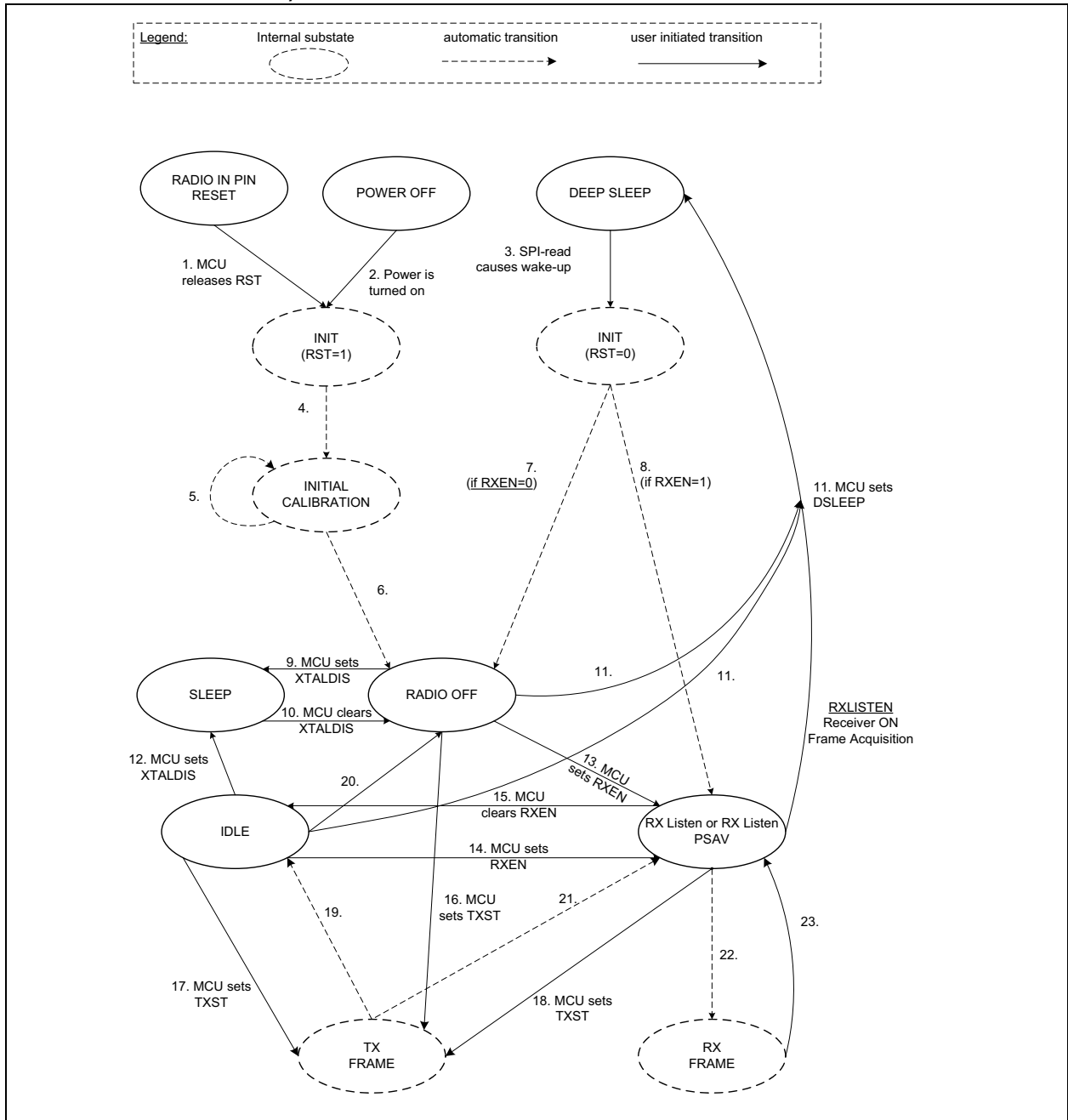


FIGURE 4-3: MRF24XA TOP LEVEL STATE MACHINE (SIMPLIFIES STATE TRANSITION CHART)



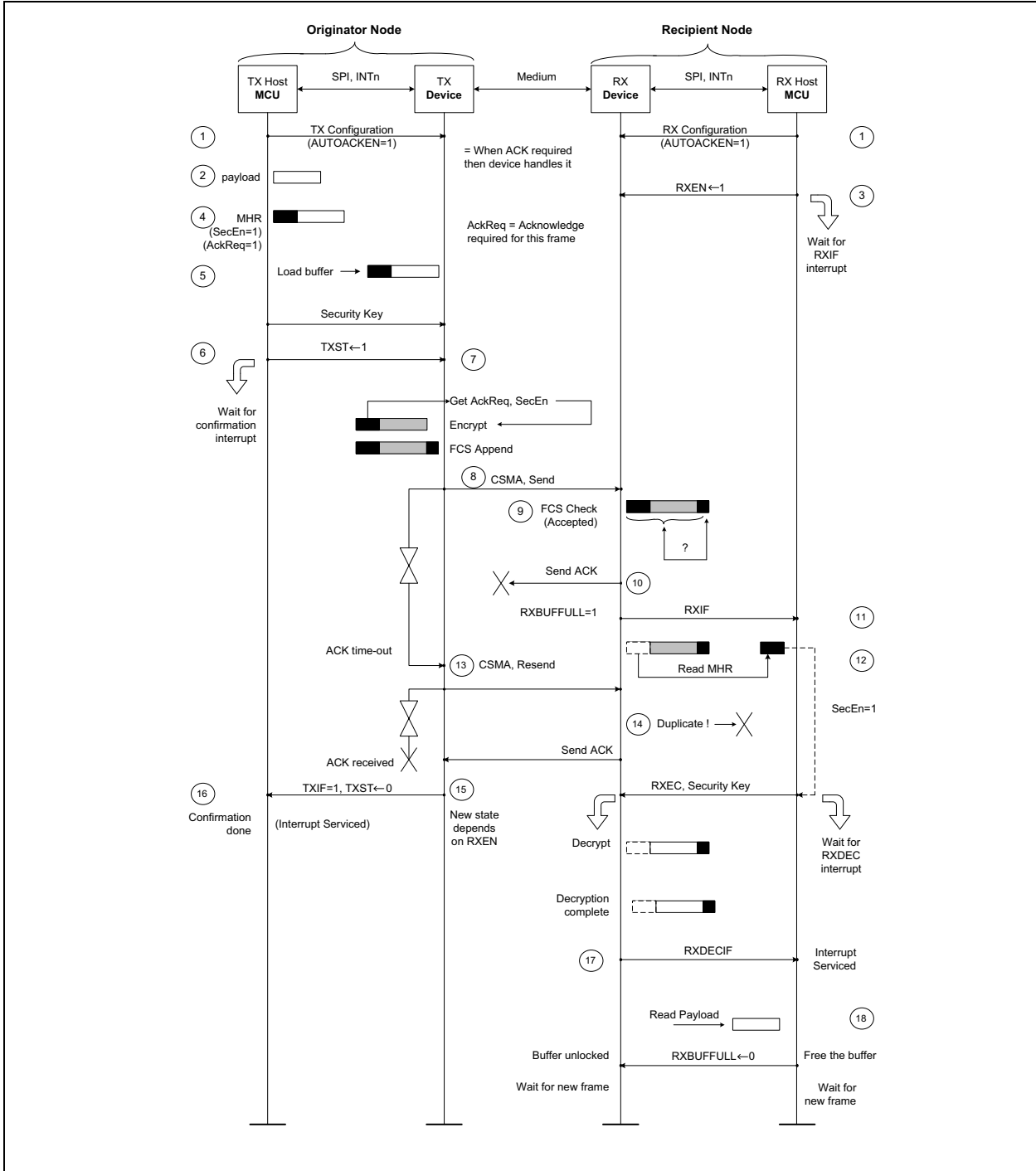
Note: See Section 4.2.4.2 “Detailed Transition Description” for details on the interrupts in connection with state transitions.

MRF24XA

Frame sending/reception involves the following steps as shown in the [Figure 4-4](#). (Note: Sending = originator, Receiving = recipient)

1. Originator and Recipient Nodes apply the previously shared (negotiated/global) configurations.
2. Recipient MCU enables reception in the device when the RXEN (1) control bit in the RXCON1 register is set.
3. Originator MCU constructs the payload.
4. Originator MCU constructs the MAC frame header applying the per frame configurations.
5. Originator MCU loads the MAC frame to the device.
6. Originator MCU starts transmit operation when the TXST (1) control bit (MACCON1 register) in the device is set. MAC layer encryption is automatically applied while for network layer encryption
7. Originator device executes in-place processing on the frame. For example, encryption and FCS appending, and checks the Configuration of the frame header that affects the per frame device behavior for this frame (whether an Acknowledge is requested from the recipient).
8. Originator device attempts to send the message to the receiver device. Prior accessing the medium, ensure that no other device is using it on the same channel frequency, or jammed by interferers before sending. The applied procedure is called CSMA-CA. When the channel is clear, it sends the frame. Finally, the device waits for an Acknowledge as the frame is configured to request one.
9. Recipient device receives the frame and parses it. The frame is accepted. The frame can also be rejected due to destination address or FCS mismatch.
10. Recipient device sends an ACK.
11. Recipient device generates an RXIF (1) interrupt to its host MCU when ACK-sending is complete. Since the frame is accepted and acknowledged, RXBUFFUL is set (1) by the device. This protects the frame from being overwritten by a subsequent different frame.
12. Recipient MCU may trigger in-place processing (for example, decryption by setting RXDEC) on the frame after servicing the interrupt.
13. Originator device fails to receive the ACK-frame. Therefore, it starts over transmitting the same frame (retransmission) through CSMA-CA first and then sending follows.
14. Recipient device receives the retransmitted frame and finds out it is a duplicate. It still sends another ACK-frame to it, but discards the duplicate frame.
15. Originator device receives the ACK and generates a TXIF (1) interrupt to confirm the successful sending to its host MCU. It also clears the TXST (0) control/Status bit. Originator device returns to Reception mode if RXEN = 1 is configured, otherwise it turns to TRXOFF.
16. MCU services the interrupt (TXIF) to learn the confirmation. Transaction is successfully completed.
17. Recipient device completes the in-place decryption of the frame and generates a RXDECIF (1) interrupt to indicate status to its host MCU.
18. Recipient MCU reads the decrypted frame from the buffer and unlocks the buffer when the control/status flag RXBUFFUL (0) of the device is cleared.

FIGURE 4-4: WIRELESS SENDING: EXAMPLE SCENARIO (MESSAGE SEQUENCE CHART)



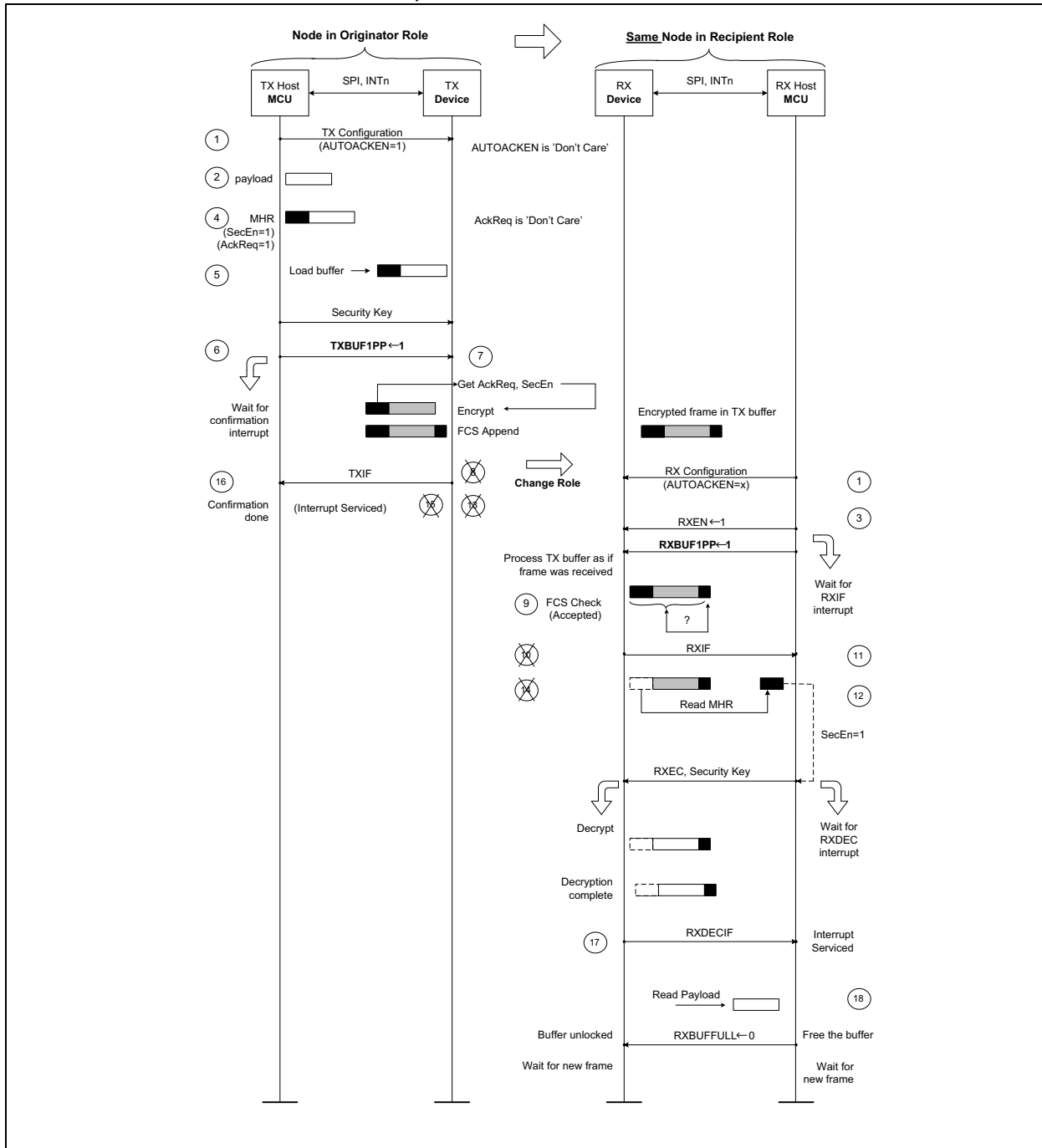
In-place processing (whether transmitting or receiving-side) is tested using a single node. This is useful in device testing or software troubleshooting. Figure 4-5 illustrates the procedure of in-place test using a single node. Note that the Originator and the Recipient node can be the same hardware.

TXBUF1PP triggers the processing that TXST originally performs. TXIF interrupt is generated at the end of in-place processing, without attempting to physically send the frame. The device clears TXBUF1PP at the same time.

MRF24XA

Buffer 1 holds the processed (encrypted, FCS-appended) frame. If RXBUF1PP is set, frame filtering is performed and RXIF interrupt is generated. Alternatively, the processing is performed in Buffer 2 (the normal receive buffer) using TXBUF2PP and RXBUF2PP. Note that unlike TXBUF1PP and TXBUF2PP, RXBUF1PP and RXBUF2PP do not automatically clear when RXIF is set but selects which buffer must be processed when RXDEC is issued.

FIGURE 4-5: IN-PLACE TEST USING A SINGLE NODE: EXAMPLE SCENARIO (MESSAGE SEQUENCE CHART)



4.3 Global vs. Per Node vs. Per Packet Configurations

For certain configurable parameters, the selected options apply to all nodes in a network. The following are the global attributes:

- The MAC frame format used in the network (FRMFMT register bit configuration)
- The FCS appending and checking method (refer to CRCSZ register bit)
- The medium access (CSMAEN register bit configuration)

4.3.1 GLOBAL CONFIGURATIONS

Global attributes are negotiated through management information travelling in the MAC payload (of the current frame or a previous frame). For example,

- Address size in Proprietary MAC framing mode
- Network Layer security enabling and security material in IEEE 802.15.4-compliant MAC framing mode

These global attributes are shared between all nodes of the network as all the nodes can access the same medium, and the sending and recipient sides must process the frame consistently.

4.3.2 PER PACKET CONFIGURATIONS

As opposed to global configurations, per packet attributes vary from packet to packet. For example,

- Acknowledge Requested for the current frame (AckReq)
- Security Processing enabled for the current frame (SecEn)

These attributes must be shared between the originator and the recipient of the frame and must travel with the packet. Prior sending a frame, the originator MCU applies the desired attributes when the respective frame control bits (for example, AckReq, SecEn) in the MAC header of the frame are configured. When the send operation is triggered, the sending device checks these attributes and adapts its (frame processing and sending) behavior accordingly. The receiver device does the same on reception.

4.3.3 PER NODE CONFIGURATION

It applies to specific nodes in the network, having a specific role. The auto-repeater functionality (in proprietary MAC mode) is a typical example. Another case is how a node filters frames. A sniffer node must have different Configuration than an ordinary node. This Configuration may also be different since the sniffer must not send acknowledge.

4.4 Features Overview

The device supports two Framing modes:

- IEEE 802-15.4 standard compliant, see **Section 5.0 “IEEE 802.15.4™ Compliant Frame Format and Frame Processing”** format
- Proprietary format, see **Section 6.0 “Proprietary Frame Format and Frame Processing”**

Hardware support is provided for both the features, but a network must only use one of these in all the nodes. A compromise is offered through Bridging, see **Section 8.0 “Bridging”**.

For the discussion it is helpful to distinguish between *Protocol Agnostic* and *Protocol Dependent*.

Configuration Options:

- The availability and Configuration format of *Protocol Dependent* options are conditioned on the selected framing protocol whether IEEE 802.15.4-compliant or proprietary network operation is required.
- In contrast, the availability, behavior and Configuration format of other options are *Protocol Agnostic* from a device point of view, which means that the Configuration occurs similarly for framing protocol.

All Protocol Agnostic options can freely combined with any of the “protocol-dependent” configurations as far as the device constrains it. To comply with the IEEE 802.15.4 protocol, the constraints specified in the standards must be followed, see [Table 4-3](#).

[Figure 4-6](#) lists the higher level (MAC layer) Configuration features.

- FCS method: Hardware supports the 2-byte long CRC sequence adopted by IEEE 802-15.4. This must be adequate for most applications. In the contrary case, the CRC appending and checking are disabled if CRCSZ = 0. If CRCSZ = 0 then AUTOACKEN = 0 and RXFILTER = 0x00 is required. CRCSZ = 1 is assumed in the discussion.
- CSMA is described in **Section 4.11 “Carrier Sense Multiple Access-Collision Avoidance (CSMA-CA)”** and only requires Packet mode.
- Automatic Acknowledgement Reception and Sending is configured as specified in **Section 4.12 “Clear Channel Assessment (CCA)”**, **Section 4.14 “Acknowledge Sending by Recipient”** and **Section 4.15 “Acknowledge Reception by Originator”**.

MRF24XA

- In both framing configurations, the device offers support for: frame parsing, frame filtering, frame types, addressing modes applicable to multi-cast and uni-cast frames and security processing. Standard mode operation is described in **Section 5.0 “IEEE 802.15.4™ Compliant Frame Format and Frame Processing”**. Proprietary mode is described in **Section 6.0 “Proprietary Frame Format and Frame Processing”** through **Section 7.0 “Advanced Link Behavior in Proprietary Packet Mode”**.
- The following modes are only available in Proprietary modes: Bridging, Link Agility, see **Section 7.1 “Channel Agility”**, and Auto-

Repeater, see **Section 7.3 “Auto-Repeater”**.

Table 4-2 lists a summary of possible node behaviors and node types. **Section 5.0 “IEEE 802.15.4™ Compliant Frame Format and Frame Processing”** focuses on the general processing of IEEE 802.15.4-compliant and proprietary-format non-streaming frames when the node is non-streaming configured in Packet mode. Differences to this behavior are specified for the other scenarios in the respective sections.

FIGURE 4-6: MAC LAYER CONFIGURATION OVERVIEW

COMMUNICATION ASPECTS	AVAILABLE OPTIONS	PER PACKET or PER NODE or GLOBAL?
PROTOCOLAGNOSTIC:		
Frame Error Detection	Trailer FCS by HW: yes/no?	Global option (typically, but not enforced)
Link Reliability	Acknowledge Request: yes/no? (if yes, # of retransmissions?)	Per packet option
	Automatic ACK response: yes/no?	Per node option
Multiple Access	CSMA: yes/no?	Per packet option
PROTOCOLDEPENDENT:		
Frame Parsing	IEEE 802.15.4 vs. Proprietary?	Global option (except for „bridging”)
Frame Filtering	Filters by validity, type, address	Per node option
Frame Type	Type: Data/CMD/ACK/Beacon...?	Per packet option
Multi-cast Frames	Broadcast/Unicast Destination?	Per packet option
Address Format	Dest. Address/Src. Address format?	Per packet – in IEEE 802.15.4 Global – in Proprietary mode
MAC Layer Security	Privacy: yes/no? Frame authenticity: yes/no, MIC-tag size?	Per packet enabling option
NWK Layer Security	Privacy: yes/no? Frame authenticity: yes/no, MIC-tag size?	Per packet – in Proprietary mode
PROPRIETARY MODE ONLY:		
Link Agility	Air-Data-Rate Adaptation: yes/no? Adapt channel between TX/RX?	Per packet option
Buffer Handling	Packet vs. Streaming Buffer Mode	Per packet option
Auto-Repeater	Auto-Repeat Mode	Per packet and per RX node option

TABLE 4-2: SUMMARY OF NODE CONFIGURATION OPTIONS

	NODE CONFIGURATION				
	Packet Mode			Propr. TX Stream	Propr. RX Stream
	IEEE 802.15.4™	Proprietary	Proprietary Repeater		
TRXMODE (00: Packet Mode)	00	00	00	10	01
FRMFMT (Std:0, Proprietary:1)	0	1	1	1	1
AUTORPTEN (Repeater Node:1)	0	0	1	0	0
FEATURE/FRAME	NODE CAPABILITY				
CSMAEN (CSMA enable:1)	0 or 1	0 or 1	0 or 1	0	No TX
CRCSZ (CRC 2 bytes: 1, none: 0)	1 (or 0)	0 or 1	0 or 1	0 or 1	0 or 1
AUTOACKEN (Auto-ACK enable:1) ⁽³⁾	0 or 1	0 or 1	0 (or 1 ⁽¹⁾)	0	0, ignore 1
Retransmission capability	Yes	Yes	No	No	No
Buffer Handling	1 RX, 1 TX	1 RX, 1 TX	2 TRX	2 TX	2 RX
With IEEE 802.15.4 Frames, capability to:	TX, RX	RX (TX) ⁽⁴⁾ (bridging)	discard	n/a	discard
With Proprietary Non-Streaming Type of Frames (Repeat:0/1), capability to:	discard	TX, RX	Repeat if Repeat = 1	n/a	discard
With Proprietary Streaming Type of Frames, capability to:	discard	RX (sets on RX-Streaming)	discard	TX	RX
Security Processing	Available	Available	None	available but impractical	
Channel Agility Support for ACK-ing	No	Yes	n/a	n/a	n/a
PHY-features	Same for all				
Available Data Rates	All ⁽²⁾	All	All	All	All
On-the-fly receiver rate adaptation	Yes	Yes	Yes	Yes	Yes
DSSS	Yes	Yes	Yes	Yes	Yes

- Note 1:** Proprietary frames requesting both Acknowledge and repeat are not recommended if any of the repeaters has AUTOACKEN = 0, and vice versa. Setting all of these may cause issues.
- 2:** Although 250 kbps is the only data rate that ensures compliance to the IEEE 802.15.4 standard, however as an extension, the other data rates can also be used with the standard MAC format, which may be easier to integrate with the legacy software.
- 3:** CRCSZ = 0 has no practical use in Standard-Format mode. If CRCSZ = 0 then AUTOACKEN = 0 and RXFILTER = 0x00 is required.
- 4:** Acknowledge sending is solved. To send a frame, the transmitter changes FRMFMT for the sending.

MRF24XA

REGISTER 4-1: MACCON1 (MAC CONTROL 1 REGISTER)

ADDRESS: 0x10

R/W-00	R/W-001	R/W-1	R/W-0	R/W-0
TRXMODE<1:0>	ADDRSZ<2:0>	CRCSZ	FRMFMT	SECFLAGOVR
bit 7				bit 0

Legend: R = Readable bit W = Writable bit U = Unimplemented bit, read as '0'
 -n = Value at POR '1' = Bit is set '0' = Bit is cleared x = Bit is unknown
 r = Reserved

bit 7-6 **TRXMODE<1:0>:** TX/RX Mode Select Field bits

11 = Reserved

10 = *TX-Streaming mode*. In this mode, use both buffers for packet transmission. When issuing TRXMODE = 10, RXEN is cleared. SPI addresses 0x200 to 0x27F access Buffer 1 or Buffer 2 in alternation. Access to 0x37F through 0x383 has non-defined effect.

01 = *RX-Streaming mode*. In this mode, use both buffers for packet reception. When issuing TRXMODE = 01, TXST and TXENC/RXDEC bits are cleared and RXEN is set. SPI addresses 0x300 to 0x383 access Buffer 1 or Buffer 2 in alternation. In this mode, Proprietary mode packets other than streaming type are automatically discarded. Access to 0x200 through 0x283 has non-defined effect.

00 = *Packet mode*. In this mode, Buffer 1 is used as a transmit and Buffer 2 is used as a receive packet buffer. SPI addresses from 0x200 to 0x27F access Buffer 1. SPI addresses 0x300 to 0x383 access Buffer 2. TRXMODE = 00 is mandatory when FRMFMT = 0.

bit 5-3 **ADDRSZ<2:0>:** Source/Destination Address Size Field bits^(1, 2)

The size of the Source and Destination addresses for Proprietary packet. Note that this field has no effect on the processing IEEE 802.15.4 frames.

- 111 = 8 octets
- 110 = 7 octets
- 101 = 6 octets
- 100 = 5 octets
- 011 = 4 octets
- 010 = 3 octets
- 001 = 2 octets
- 000 = 1 octet

bit 2 **CRCSZ:** CRC Size bit

This bit indicates the size of the CRC field in each packet.

- 1 = 2 octets
- 0 = 0 octet

bit 1 **FRMFMT:** MAC Frame Format Adopted by the Network bit⁽³⁾

This bit determines the frame format used in the network.

- 1 = Proprietary
- 0 = IEEE 802.15.4 standard compliant

bit 0 **SECFLAGOVR:** Security Flag Override bit

The user can override security flags used in the CCM-CTR, CBC-MAC and CCM operation, otherwise the device uses the standard (2003/2006) definition.

- Note 1:** Zero-length address occurs when the corresponding DAddrPrsnt/SAddrPrsnt bits of the packet Frame Control field are set to '0'.
- 2:** Use the ADDRSZ field while receiving and transmitting, and must not be modified while RXEN or TXST is set.
- 3:** Use the FRMFMT field while receiving and transmitting, and must not be modified while RXEN or TXST is set. In Debug mode, this register bit is used to determine the frame format for both Tx/Rx frame in the packet buffers.

4.5 Protocol Selection and Constraints

Applications typically fall into two categories:

- Category 1: Standard compliant operation is required exclusively
- Category 2: Standard compliant operation is not required, capability to form a gateway to standard network is sufficient:
 - Green-field development. Proprietary MAC framing is optimal.
 - Legacy software is better served when the standard MAC frame format is applied, although the network is not required to use IEEE 802.15.4 standard modulation formats over the air.

In category 1, the Proprietary Features are not used. The constraints listed in [Table 4-3](#) must be applied. A significant limitation is that IEEE 802.15.4 only allows using a single air-data-rate, 250 kbps.

In category 2, these constraints are relieved and the network may either adopt the proprietary (FRMFMT = 1) or the IEEE 802.15.4 MAC (FRMFMT = 0) frame formats which fits better with the conditions. In either options, the network can use all the air-data-rates. A gateway to a standard network is formed through Bridging, see [Section 8.0 “Bridging”](#). The Physical Layer Configuration is described in [Section 9.0 “Physical layer Functions”](#).

TABLE 4-3: THE IEEE 802.15.4™ STANDARD CONSTRAINTS

Parameter Description	Register Field	Default on Reset	IEEE 802.15.4™ constraint/recommendation
Frame Format	FRMFMT	0	0 (std. frame format)
Buffer Handling	TRXMODE	00	00 (Packet mode)
Sender Data Rate	DR<2:0>	011	011 (TX 250 kbps)
Receiver Data Rate Reject Filter (otherwise data rate is adapted on-the-fly, per frame)	RATECON<7:2>	000000 (all enabled)	111101 (only enable: RX 250 kbps, SFD = 0xA7)
FCS (CRC) size (0 or 2 bytes)	CRCSZ	1	1 (2 byte CRC appended)
Frame rejection on CRC mismatch	CRCREJ	1	1 (CRC match enforced)
Frame rejection filter	RXFILTER<7:0>	0x7F	0x40 (frame rejection only on CRC mismatch)
Duplicate Rejection	IDENTREJ	0	1 (discard duplicates)
Automatic Acknowledge Handling (send/receive)	AUTOACKEN	0	1 (Auto ACK enabled)
Base time units applied by TXACKWAIT and RXACKWAIT	BASETM<4:0>	00010 (2 μs)	10000 (must be a divisor of 16 μs)
Wait duration (in base units) before Acknowledge sending (by the data frame recipient)	RXACK-WAIT<7:0>	0x60	0x0C (must be >= 192 μs)
Time-out duration (in base units) for Acknowledge reception (by the data originator)	TXACKTO<7:0>	0x80 (256 μs)	0x36 (must be >= 864 μs)
CSMA medium access enabled	CSMAEN	1	1 (CSMA enabled)
CCA Mode (energy vs. carrier)	CCAMODE ⁽¹⁾	01	01 (4 options allowed)
CCA Measurement Duration	CCALEN ⁽¹⁾	01	10 (128 μs)
CCA Energy Threshold	EDthreshold ⁽¹⁾	0x32 (-88 dBm)	0x46 (-78 dBm; must be <-75 dBm)
Energy Detect Mode (1: 128 us, 0: variable duration)	EDMODE ⁽¹⁾	0	0 (EDLEN applies)
Energy Detect Duration	EDLEN ⁽¹⁾	0xE	0xE (15.360 ms; must be repeated multiple times)

Note 1: For more information on Physical Layer Configuration, see [Section 9.0 “Physical layer Functions”](#).

Note: “Proprietary” is not equivalent to “full-custom”. The LENGTH field and Frame Control field must be used as described. (The transmitter processing of the FrameCtrl.SecEn bit cannot be disabled.) The payload portion can still carry customized management information that is processed in software. It is recommended that FRMFMT = 1 be used with NSTDREJ = 1 if a gateway is not required.

MRF24XA

4.6 Frame-On-Air/Air-Data-Rate

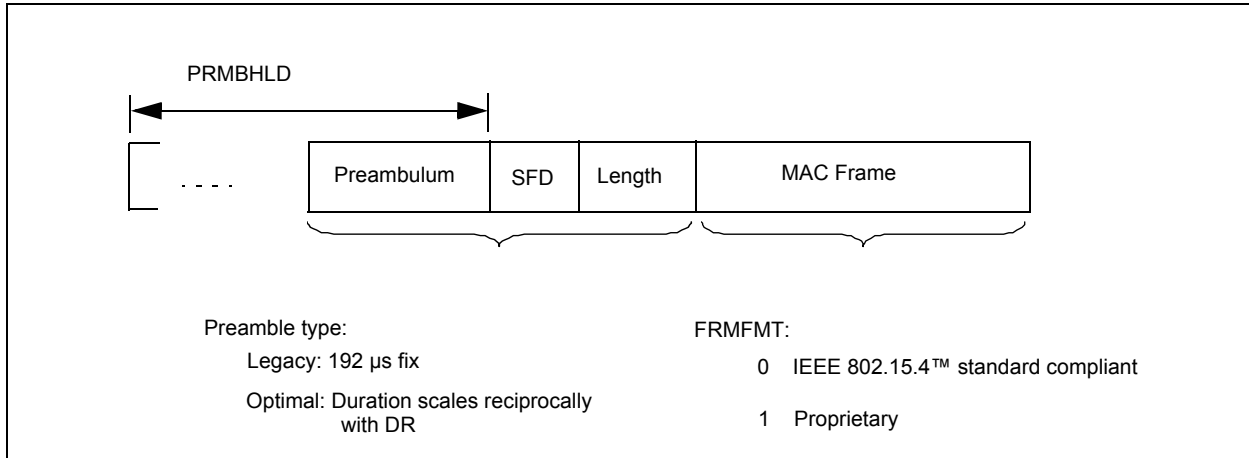
In the Originator of the frame, FRMFMT and DR<2:0> select the air-data-rate and the frame format. The PRMBHLD bit indefinitely holds out the preamble. For more information on register definitions, refer to [Register 4-2](#).

The recipient of the frame can receive the frame formats that FRMFMT and RATECON<7:2> selects.

The Recipient sends the Acknowledge using the same frame format as the acknowledged frame, except for the agility, see **Section 7.1 “Channel Agility”**. The Originator must set RATECON<7:2> adequately to receive the ACK frame.

RATECON<1> selects between Legacy and Optimal PHY frame format. This is set independently from the rate or the MAC protocol using the MAC operation.

FIGURE 4-7: FRAME-ON-AIR/AIR-DATA-RATE



REGISTER 4-2: RATECON (RATE CONFIGURATION REGISTER)
ADDRESS: 0x36

R/W-0	R/W-0	R/W-0	R/W-0	R/W-0	R/W-0	R/W-1	R/W-1
DIS2000	DIS1000	DIS500	DIS250	DISSTD	DIS125	OPTIMAL	PSAV
bit 7							bit 0

Legend: R = Readable bit	W = Writable bit	U = Unimplemented bit, read as '0'
-n = Value at POR	'1' = Bit is set	'0' = Bit is cleared
r = Reserved		x = Bit is unknown

- bit 7 **DIS2000:** Disable 2 Mbps Frame Reception bit
If this bit is set, then reception of 2 Mbps frames is disabled.
- bit 6 **DIS1000:** Disable 1 Mbps Frame Reception bit
If this bit is set, then reception of 1 Mbps frames is disabled.
- bit 5 **DIS500:** Disable 500 kbps Frame Reception bit
If this bit is set, then reception of 500 kbps frames is disabled.
- bit 4 **DIS250:** Disable 250 kbps Frame Reception bit
If this bit is set, then reception of 250 kbps frames with non-standard-compliant SFD patterns is disabled.
- bit 3 **DISSTD:** Disable IEEE 802.15.4 compliant Frame Reception bit
If this bit is set, then reception of 250 kbps frames with IEEE 802.15.4 compliant SFD patterns is disabled.
- bit 2 **DIS125:** Disable 125 kbps Frame Reception bit
If this bit is set, then reception of 125 kbps frames is disabled.
- bit 1 **OPTIMAL:** Optimized Preamble Selection bit
When this bit is set, then optimized preamble is used instead of legacy.
1 = Optimized preamble
0 = Legacy preamble
- bit 0 **PSAV:** Power-Save Mode Selection bit
When this bit is set, frame detection is dependent on the RSSI signal, and the receive signal processor is turned on when a sudden and significant increase (PSAVTHR<3:0>) is detected in the signal strength or the signal strength is above an absolute level (DESENSTHR<3:0>).
1 = Power-Save mode
0 = Hi-Sensitivity mode

MRF24XA

REGISTER 4-3: MACCON1 (MAC CONTROL 1 REGISTER)

ADDRESS: 0x10

R/W-00	R/W-001	R/W-1	R/W-0	R/W-0
TRXMODE<1:0>	ADDRSZ<2:0>	CRCSZ	FRMFMT	SECFLAGOVR
bit 7				bit 0

Legend: R = Readable bit W = Writable bit U = Unimplemented bit, read as '0'
 -n = Value at POR '1' = Bit is set '0' = Bit is cleared x = Bit is unknown
 r = Reserved

- bit 7-6 **TRXMODE<1:0>**: TX/RX Mode Select Field bits
- 11 = Reserved
 - 10 = *TX-Streaming mode*. In this mode, use both buffers for packet transmission. When issuing TRX-MODE = 10, RXEN is cleared. SPI addresses 0x200 to 0x27F access Buffer 1 or Buffer 2 in alternation. Access to 0x37F through 0x383 has non-defined effect.
 - 01 = *RX-Streaming mode*. In this mode, use both buffers for packet reception. When issuing TRX MODE = 01, TXST and TXENC/RXDEC bits are cleared and RXEN is set. SPI addresses 0x300 to 0x383 access Buffer 1 or Buffer 2 in alternation. In this mode, Proprietary mode packets other than streaming type are automatically discarded. Access to 0x200 through 0x283 has non-defined effect.
 - 00 = *Packet mode*. In this mode, Buffer 1 is used as a Transmit while Buffer 2 as a Receive packet buffer. SPI addresses from 0x200 to 0x27F access Buffer 1. SPI addresses 0x300 to 0x383 access Buffer 2. TRXMODE = 00 is mandatory when FRMFMT = 0.
- bit 5-3 **ADDRSZ<2:0>**: Source/Destination Address Size Fields bits^(1, 2)
- The size of the Source and Destination addresses for Proprietary packet. Note that this field has no effect on the processing IEEE 802.15.4 frames.
- 111 = 8 octets
 - 110 = 7 octets
 - 101 = 6 octets
 - 100 = 5 octets
 - 011 = 4 octets
 - 010 = 3 octets
 - 001 = 2 octets
 - 000 = 1 octet
- bit 2 **CRCSZ**: CRC Size bit
- This bit indicates the size of the CRC field in each packet.
- 1 = 2 octets
 - 0 = 0 octet
- bit 1 **FRMFMT**: MAC frame format bit adopted by the network bit⁽³⁾
- This bit determines the frame format used in the network.
- 1 = Proprietary
 - 0 = IEEE 802.15.4 standard compliant.
- bit 0 **SECFLAGOVR**: Security Flag Override bit
- The user can override security flags used in the CCM-CTR, CBC-MAC and CCM operations, otherwise the device uses the standard (2003/2006) definition.

- Note 1:** Zero-length address occurs when the corresponding DAddrPrsnt/SAddrPrsnt bits of the packet Frame Control field are set to '0'.
- Note 2:** Use ADDRSZ field while receiving and transmitting, and must not be modified while RXEN or TXST is set.
- Note 3:** Use FRMFMT field while receiving and transmitting, and must not be modified while RXEN or TXST is set. In Debug mode, this register bit is used to determine the frame format for both Tx/Rx frame in the packet buffers.

REGISTER 4-4: BBCON (BASEBAND CONFIGURATION REGISTER)
ADDRESS 0x38

R/W-0	R/W-0	R/W-11	R/W-0	R/W-001
RNDMOD	AFCOVR	RXGAIN<1:0>	PRMBHOLD	PRMBSZ<2:0>
bit 7				bit 0

Legend:	W = Writable bit	R = Readable bit	U = Unimplemented bit, read as '0'
-n = Value at POR	'1' = Bit is set	'0' = Bit is cleared	x = Bit is unknown
r = Reserved			

bit 7 **RNDMOD:** Random Modulation bit

If this bit is set, the transmitter randomly transmits DSSS symbols or MSK chips if PRMBHOLD bit is set. The purpose of this register is only for testing.

bit 6 **AFCOVR:** AFC Override bit

If this bit is set, the receiver uses CFOMEAS register as the CFO in reception.

bit 5-4 **RXGAIN<1:0>:** Receiver Gain Register Field bits

If this bit is set, the AGC operation is inhibited in the receiver and the receiver radio gain Configuration is selected between three different gain levels. Encoding:

- 11 = AGC operation is enabled (default value)
- 10 = High gain
- 01 = Middle gain
- 00 = Low gain

This feature is used for test and streaming purposes. To reduce the required interframe-gap, the RXGAIN must set to one of the fixed gain options when the MAC is in Streaming mode.

bit 3 **PRMBHOLD:** Preamble Hold Enable bit

Effect: Appends extra bytes to the transmitted preamble in endless repetition until it is cleared.

Details: The hardware checks this bit during transmission before finishing the preamble. The DR<2:0> and the register OPTIMAL determine the appropriate preamble byte and applies the modulation format. When this flag is released the transmission of the current preamble byte is completed followed by transmitting the LENGTH field and the payload.

- 1 = Enable endless preamble repetition
- 0 = Disable/stop endless preamble repetition

bit 2-0 **PRMBSZ<2:0>:** Preamble Size Adjustment Field bits

Enables adjusting the transmitted preamble length when OPTIMAL = 1. Encoding:

500 kbps preamble length = (PRMBSZ<2> + 4) units, where unit = 16 μ s (1 octet at 500 kbps)

1 Mbps preamble length = (PRMBSZ<1:0> + 8) units, where unit = 4 μ s (1 octet at 2 Mbps)

2 Mbps preamble length = (PRMBSZ<1:0> + 8) units, where unit = 4 μ s (1 octet at 2 Mbps)

This register field does not affect the Legacy frames and 125/250 kbps optimized frames.

4.7 Security Suites

MRF24XA provides extensive hardware support for security suites defined in 802.15.4-2003/2006 standard. The security suites are based on the AES-128 block cipher transformation. Block ciphers are ciphers that work on a plaintext block of a fixed length to produce a ciphertext block of the same length. Given a particular Key (K), there is a 1-to-1 correspondence between the Plaintext Block (P) and the Ciphertext Block (C).

- Encryption operation: $C_i = EK(P_i)$
Ciphertext block (i) is produced by Encrypting Plaintext block (i) using key K .
- Decryption operation: $P_i = DK(C_i)$
Plaintext block (i) is produced by Decrypting Ciphertext block (i) using key K .

4.7.1 ELECTRONIC CODE BOOK MODE (ECB)

The simple usage of the block cipher is known as ECB mode. There are several issues in using a block cipher in ECB mode to encrypt data. Each plaintext block is encrypted to the same ciphertext block and it is possible to associate the ciphertext block with an event without knowing that the plaintext block itself. To trigger the event, user can resend the ciphertext block, a process known as Replay Attack. In addition, most block cipher algorithms in ECB mode do nothing to scramble repetitive data, making the plaintext block reversible from the ciphertext block.

4.7.2 COUNTER MODE (CTR)

In CTR mode, each ciphertext block is produced by XOR'ing, the plaintext block with the encrypted version of a counter input. The initial value of the counter serves as the Initialization Vector (IV) for the message block, and may be changed for each message block. Although the term "counter" is used, this does not mandate the use of a true counter. An easy-to-compute function, which is practically non-repeating (at least for a long time) may be used. CTR mode may be 100% parallelized for both encryption and decryption.

802.15.4-2003 defines CTR mode as follows:

$$CTR_0 = 0$$

Loop on each 16 byte block of plaintext

$$C_i = P_i \text{ xor } EK(\{ENCFLAGS, SECNONCE, CTR_i\})$$

$$CTR_{i+1} = CTR_i + 1$$

End

Where, *ENCFLAGS* is defined by the standard (0x82), *SECNONCE* is defined in the standards and CTR_i is a 2 byte block counter. If the last block of the plaintext is not 16 byte, it is zero-padded and only the required number of MSB bytes is used in the XOR operation. The host can override *ENCFLAGS* field when the *SECFLAGOVR* bit in *MACCON1* register is enabled, and the new flags through *SECENCFLAG* register is set. The host can overwrite the *SECNONCE* register anytime through *SECNONCE1..13* registers.

802.15.4-2006 does not define CTR mode.

4.7.3 CIPHER BLOCK CHAINING MODE (CBC)

In CBC mode, each plaintext block is XOR'ed with the result of the previous block encryption operation before being encrypted. In this way all plaintext blocks depend on the previous block, making it difficult to remove, add or change individual blocks without detection. In addition, the encryption for the first block is performed using XOR of the plaintext block and an Initial Value (IV). This initial value changes for each message, making it more resistant to Replay Attacks.

MRF24XA does not support CBC mode.

4.7.4 CIPHER BLOCK CHAINING MESSAGE AUTHENTICATION CODE MODE (CBC-MAC)

A CBC-MAC protects the authenticity of a message, and therefore implicitly its integrity. The algorithm takes the variable length input message and a secret key, and produces a MIC TAG (MIC and MAC terms are often used interchangeably). Any change to the content of the message results in a change of the MIC tag, which guarantees the integrity of the message. As the same message with a different secret key also produces a different MIC tag, a MAC mode also provides protection of authenticity.

802.15.4-2003 defines CBC-MAC mode as follows:

$$P = \{LENGTH, MACHDR, MACPAYLOAD\}$$

$$O_1 = EK(P_1)$$

Loop on each 16 byte block of plaintext

$$O_i = EK(P_i \text{ xor } O_{i-1})$$

End

MICTAG is the leftmost M bit of O_{end}

Where *LENGTH* is the number of bytes to be authenticated (MAC header and payload).

802.15.4-2006 does not define CBC-MAC mode.

4.7.5 AUTHENTICATE AND ENCRYPT BLOCK CIPHER MODE (CCM*)

This mode is a combination of CTR mode (encryption) and CBC-MAC mode (authentication). Initially, CBC-MAC is applied to compute the MIC tag. CTR mode (encryption) is only performed on a selected portion of the authenticated message and the MIC tag. Different combination of authentication and encryption are formed.

802.15.4-2003/2006 defines CCM* mode as follows:

$$P = \{AUTHENTICATION\ FLAG, NONCE, LENGTH, MAC-HEADER, MACPAYLOAD\}$$

$$O_1 = Ek(P_1)$$

Loop on each 16 byte block of plaintext

$$O_i = Ek(P_i \text{ xor } O_{i-1})$$

End

MICTAG is the leftmost M bit of O_{end}

AUTHENTICATION FLAG: Reserved || Adata || M || L

4.8 Buffer Processing in Non-Secured Sending

General Frame processing as shown in [Figure 4-8](#), applies when $AUTORPTEN = 0$. Unsecured frame ($SecEn = 0$) is not an Acknowledgement and $CRCSZ = 1$. Acknowledgement is transmitted or received by software ($AUTOACKEN = 0$) and $CRCSZ = 1$ (ACK may contain piggyback data in the payload, at the discretion of the host software).

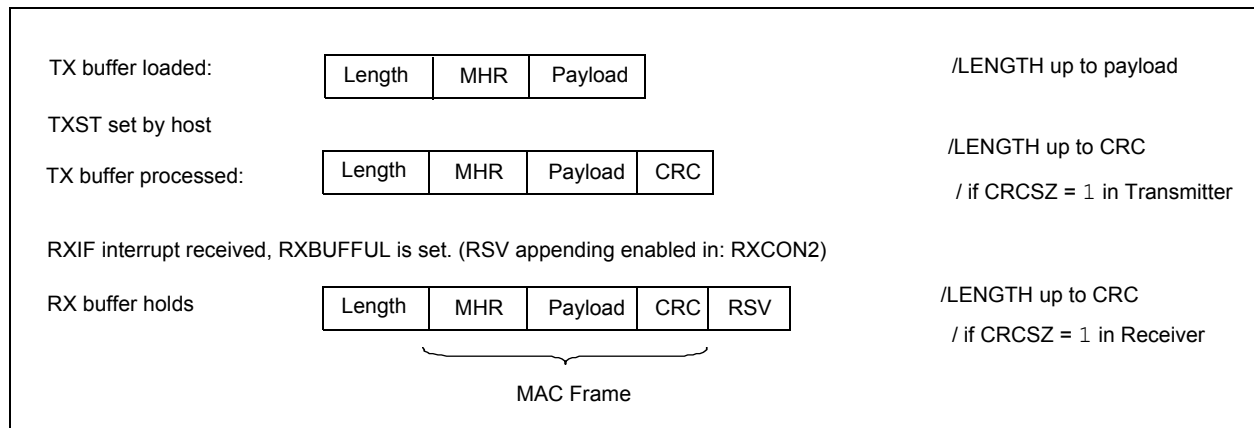
In [Figure 4-8](#), note the following:

- Transmit buffer is the buffer starting at 0x200, whereas the Receive Buffer is the buffer starting at address 0x300 (this also applies for Streaming mode).
- In the Transmit Buffer, FCS is automatically appended to the frame, and the LENGTH field is also automatically incremented.
- The Receive buffer holds the FCS appended frame, and the according LENGTH. RSV is appended to the frame. Note the ordering of the RSV fields. RSV appending does not affect the LENGTH field.

The following cases are not described in this data sheet:

- Processing of secured frames ($SecEn = 1$) is presented in [Section 5.3 “Security Material”](#).
- When $AckReq = 1$ (implying $TXRXMODE = 00$, $CRCSZ = 1$), then the Acknowledge frame is generated or accepted on-the-fly: without writing or reading the buffers (If $CRCSZ = 0$ then the CRC appending does not take place and Acknowledge is always processed by software: $AUTOACKEN = 0$).
- Repeater mode is described in [Section 7.3 “Auto-Repeater”](#).

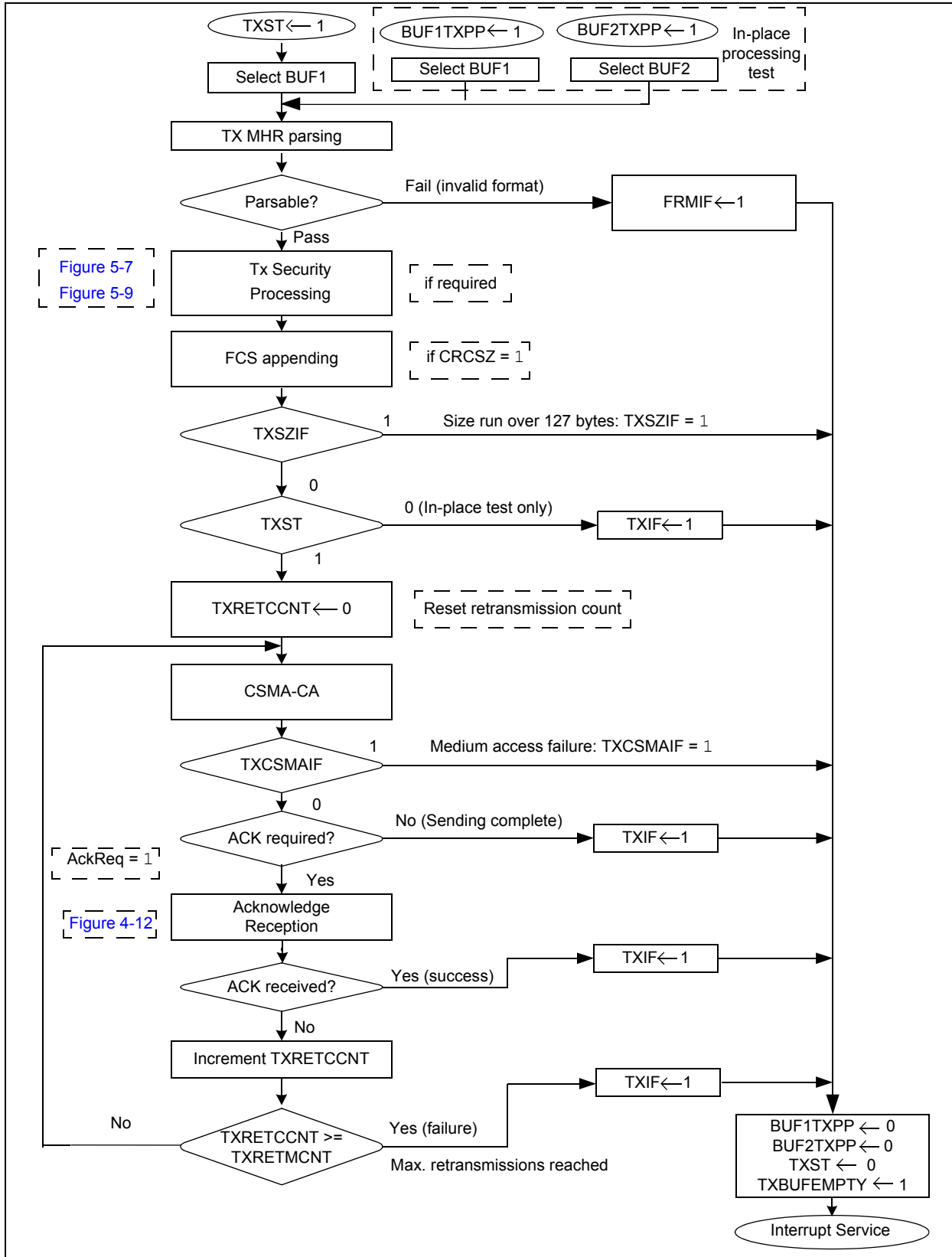
FIGURE 4-8: GENERAL FRAME PROCESSING



MRF24XA

4.9 Frame Transmission in Packet Mode

FIGURE 4-9: TRANSMITTER PROCESSING IN PACKET MODE



REGISTER 4-5: TXCON (TRANSMIT CONTROL REGISTER)
ADDRESS: 0x12

R/W/HC-0	R/W-0	R/W/HC-0	R/HS/HC-1	R/W-1	R/W-011
TXST	DTSM	TXENC	TXBUFEMPTY	CSMAEN	DR<2:0>
bit 7					bit 0

Legend: R = Readable bit	W = Writable bit	U = Unimplemented bit, read as '0'	
-n = Value at POR	'1' = Bit is set	'0' = Bit is cleared	x = Bit is unknown
r = Reserved	HC = Hardware Clear	HS = Hardware Set	

bit 7

TXST: Transmit Start bit

 1 = Starts the transmission of the next TX packet^(1, 2).

0 = Termination of current TX operation, which may result in the transmission of an incomplete packet

Hardware clear:

- After the packet is successfully transmitted (including all attempted retransmissions, if any), the hardware clears this bit and sets the TXIF and IDLEIF.
- If the packet transmission fails due to a CSMA failure, then this bit is cleared, and TXCSMAIF is set.
- If Acknowledge is requested (AckReq bit field in the transmitted frame is set) and not received after the configured number of retransmissions (TXRETMCNT), then TXST bit is cleared and a TXACKIF is set.
- In TX-Streaming mode (TRXMODE), TXST is set even when it is already set, resulting in a posted start. When the current TX operation completes, the posted start immediately starts afterward. Clearing of the TXST bit clears both the current and the posted (pending) TX starts. TXOVFIF is set when TXST = 1, a posted start is present and a Host Controller write to the packet buffer occurs. Outside of TX-Streaming mode, writes to TXST when TXST is already set is ignored.

Clearing this bit aborts the current operation in the following cases:

- When transmitting a packet in Packet mode or in TX-Streaming mode
- When waiting for an ACK packet after a transmission
- During the CSMA CA algorithm
- When transmitting a repeated frame

This field is read at any time to determine if the TX operation is in progress.

bit 6

DTSM: Do Not Touch Security Material bits⁽²⁾

1 = Device do not change the security material configured by the host MCU

0 = Device tries to configure the security material related registers

MCU must fill the following registers: SECNONCE, SECHDRINDX, SECPAYINDX and SECEND-INDX.

bit 5

TXENC: TX Encryption

Setting this bit starts TX security processing (authentication or encryption, or both) of the packet in the buffer it was last written. TXENC is cleared and TXENCIF is set when the processing is complete. TXENC must be issued when NWK layer security must be processed. 802.15.4-2003/2006 MAC layer security operation is automatically performed when TXST bit is set. This field must not be modified while TXST is set.

Note 1: Transmission may include automatic security processing, CRC appending, CSMA-CA channel access, Acknowledge reception and retransmissions depending on the register Configuration and the Frame Control field of the frame to be transmitted.

2: Setting TXST bit in either Sleep/RFOFF state, device transits to TX state for packet transmission.

MRF24XA

REGISTER 4-5: TXCON (TRANSMIT CONTROL REGISTER) (CONTINUED)

ADDRESS: [0x12](#)

bit 4

TXBUFEMPTY: TX Buffer Empty bit

TXBUFEMPTY = 1 indicates that the host MCU can safely start writing a new frame to the buffer without overwriting any content that is in use. Writing a single byte to the buffer causes this bit to be cleared. TXBUFEMPTY = 0 does not prevent the host from writing further bytes to the buffer. TXBUFEMPTY is set by the device when transmission is complete.

1 = MCU can safely start writing a new frame to the buffer
0 = Buffer is full, or being written to

When TRXMODE = 00:

(PACKET) mode is configured then TXBUFEMPTY is set at the same time as TXST is cleared. An interrupt is also generated. Therefore, this bit provides no extra information.

When TRXMODE = 10:

(TXSTREAMING) mode is configured then TXBUFEMPTY is set at the same time as one of the buffers becomes free, while TXST may be set. Therefore, the host MCU uses TXBUFEMPTY to ensure that it can start loading the next frame to the buffers without overwriting a packet being sent (TXOVFIF).

bit 3

CSMAEN: CSMA-CA Enable bit

This bit enables CSMA-CA algorithm before transmission.

1 = CSMA-CA enabled
0 = CSMA-CA disabled

bit 2-0

DR<2:0>: Transmit Data Rate Field bits

111 = Reserved
110 = 2 Mbps
101 = 1 Mbps
100 = 500 kbps
011 = 250 kbps
010 = 125 kbps
001 = Reserved
000 = Reserved

When transmitting an Auto-ACK frame with Adaptive Data Rate in response to a received frame, the AckDataRate field in the received frame automatically determines the data rate of the PHY, and not by this Register field. In all other cases, use this Register field as the current PHY data rate when transmitting.

The PHY determines the data rate for all received frames regardless of this Register field and the Adaptive Data Rate Configuration. For more information, refer to [Register 4-2](#).

- Note 1:** Transmission may include automatic security processing, CRC appending, CSMA-CA channel access, Acknowledge reception and retransmissions depending on the register Configuration and the Frame Control field of the frame to be transmitted.
- 2:** Setting TXST bit in either Sleep/RFOFF state, device transits to TX state for packet transmission.

REGISTER 4-6: PIR2 (PERIPHERAL INTERRUPT REGISTER 2)
ADDRESS: 0x05

R/W/HS/Hc-0	R/W/HS/Hc-0	R/W/HS/Hc-0	R/W/HS/Hc-0	R/W/HS/Hc-0	R/W/HS/Hc-0	R/W/HS/Hc-0	R/W/HS/Hc-0
TXIF	TXENCIF	TXMAIF	TXACKIF	TXCSMAIF	TXSZIF	TXOVFIF	FRMIF
bit 7							bit 0

Legend: R = Readable bit	W = Writable bit	U = Unimplemented bit, read as '0'
-n = Value at POR	'1' = Bit is set	'0' = Bit is cleared
r = Reserved	HC = Hardware Clear	HS = Hardware Set
		x = Bit is unknown

- bit 7 **TXIF:** Transmission Done Interrupt Flag bit
The current TX operation (TXST) has successfully completed. This event is unchanged when a hardware generated ACK packet is transmitted or when a packet is repeated. Nonpersistent, cleared by SPI read.
- bit 6 **TXENCIF:** Transmit Encoding Interrupt Flag bit
The TX packet was successfully encrypted or complemented, or both with a Message Integrity Code (MIC). Set by the device after TXENC = 1, when TXENC is cleared. Nonpersistent, cleared by SPI read.
- bit 5 **TXMAIF:** Transmitter Medium Access Interrupt Flag bit
Set by the device when the medium is accessed, specifically when the first sample in the preamble is transmitted into the air. Nonpersistent, cleared by SPI read.
- bit 4 **TXACKIF:** Transmission Unacknowledged Failure Interrupt Flag bit
Set by the device when Acknowledge is not received after the configured maximum number of transmission retries RETXMCNT<3:0>, provided that the Frame Control field of the transmitted frame indicates AckReq = 1. Nonpersistent, cleared by SPI read.
- bit 3 **TXCSMAIF:** Transmitter CSMA Failure Interrupt Flag bit
Set by the device when CSMA-CA finds the channel busy for BOMCNT<2:0> number of times, provided that CSMAEN = 1 is configured. Nonpersistent, cleared by SPI read.
- bit 2 **TXSZIF:** Transmit Packet Size Error Interrupt Flag bit
Following TXST is set the packet size (including MIC tags and CRC) is found to be zero or to be greater than the maximum size that the buffers can support. Nonpersistent, cleared by SPI read.
- bit 1 **TXOVFIF:** Transmitter Overflow Interrupt Flag bit
The Host Controller attempted to write a TX buffer that was not empty (TXBUFEMPTY = 0). Nonpersistent, cleared by SPI read.
- bit 0 **FRMIF:** Frame Format Error Interrupt Flag bit
Set if the transmitter/receiver fails to parse the frame in the buffer (it is not as it must be or it is corrupted in demodulation).

MRF24XA

REGISTER 4-7: PIR4 (PERIPHERAL INTERRUPT REGISTER 4)

ADDRESS: 0x07

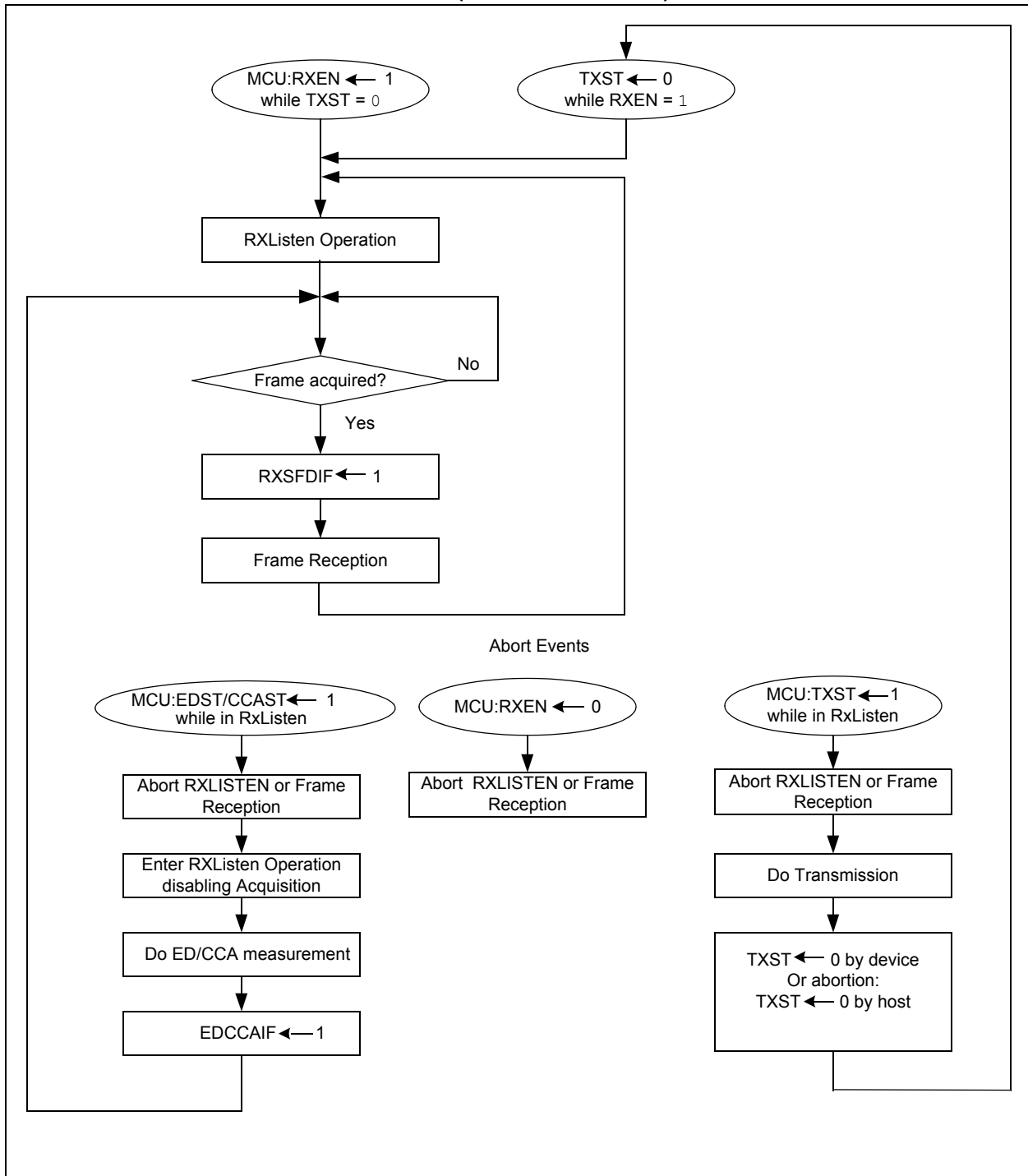
RW/HS/HC-0	RW/HS/HC-0	RW/HS/HC-0	RW/HS/HC-0	RW/HS/HC-0	RW/HS/HC-0	RW/HS/HC-0	RW/HS/HC-0
TXSFDIF	RXSFDIF	ERRORIF	WARNIF	EDCCAIF	GPIO2IF	GPIO1IF	GPIO0IF
bit 7							bit 0

Legend: R = Readable bit	W = Writable bit	U = Unimplemented bit, read as '0'
-n = Value at POR	'1' = Bit is set	'0' = Bit is cleared
r = Reserved	HC = Hardware Clear	HS = Hardware Set
		x = Bit is unknown

- bit 7 **TXSFDIF:** Transmit SFD Sent Interrupt Flag bit
Set by the device when the last sample of the SFD field is sent into the air. Nonpersistent, cleared by SPI read.
- bit 6 **RXSFDIF:** Receive SFD Detected Interrupt Flag bit
Set by the device when the SFD field of the received frame is detected. Nonpersistent, cleared by SPI read.
- bit 5 **ERRORIF:** General Error Interrupt Flag bit
Set by the device, when malfunction state is reached.
- bit 4 **WARNIF:** Warning Interrupt Flag bit
Set by the device when one of the following occurred:
- Battery voltage drops below the threshold given by BATMON<4:0>
 - Resistor on pin 28 is missing or not connected well
- bit 3 **EDCCAIF:** Energy Detect/CCA Done Interrupt Flag bit
Set by the device when Energy-detect or CCA measurement is complete (following that the host MCU has set the EDST/CCAST bit to start the measurement and the device is clearing it in on completion).
Nonpersistent. Cleared by SPI read.
- bit 2 **GPIO2IF:** GPIO2 Interrupt Flag bit
Set by the device if the GPIOMODE register is set to normal operation, the GPIO is enabled and configured to input and the level matches with the polarity.
- bit 1 **GPIO1IF:** GPIO1 Interrupt Flag bit
Set by the device if the GPIOMODE register is set to normal operation, the GPIO is enabled and configured to input and the level matches with the polarity.
- bit 0 **GPIO0IF:** GPIO0 Interrupt Flag bit
Set by the device if the GPIOMODE register is set to normal operation, the GPIO is enabled and configured to input and the level matches with the polarity.

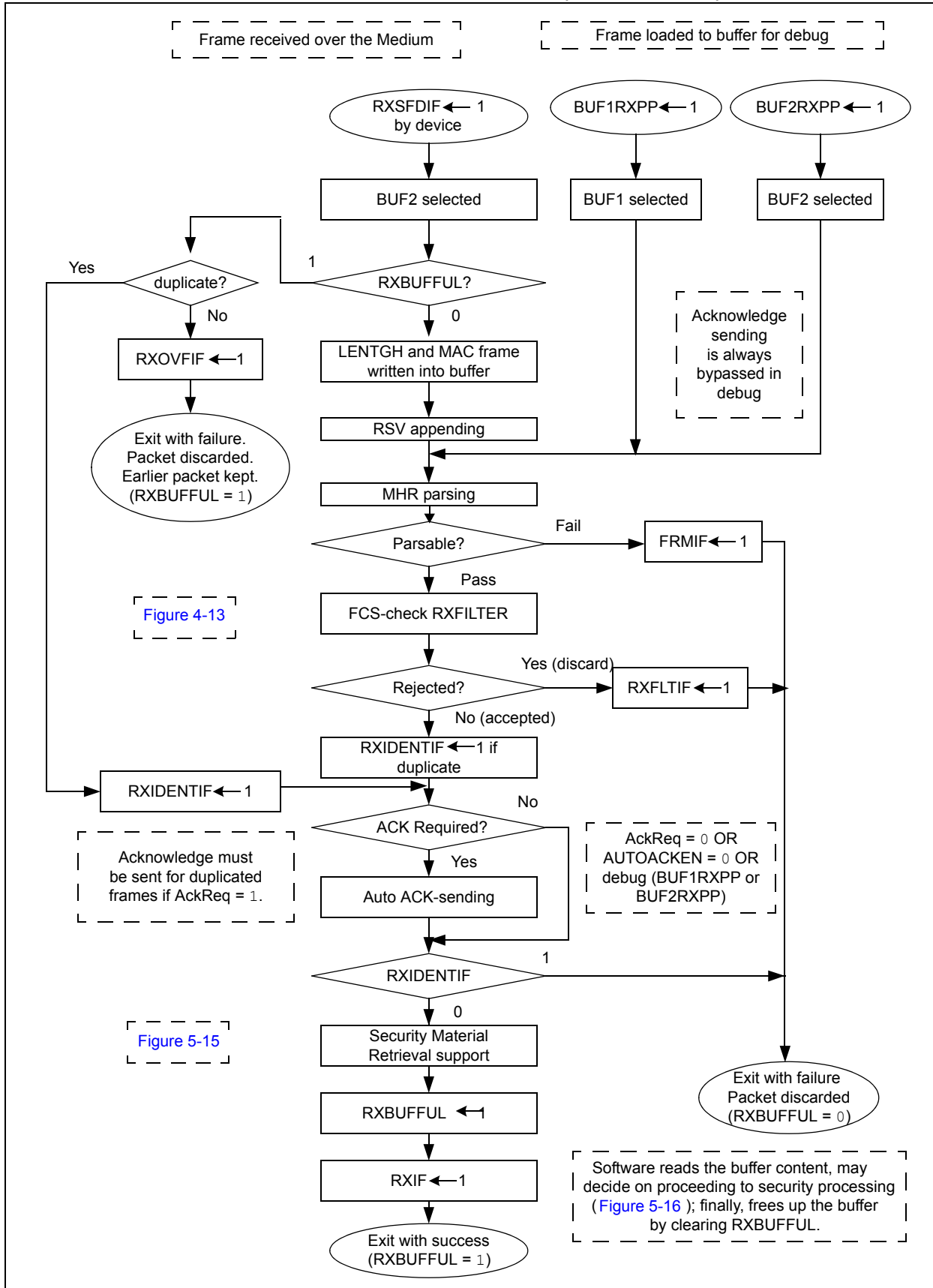
4.10 Frame Reception in Packet Mode

FIGURE 4-10: RECEIVER OPERATION (IF AUTORPTEN = 0)



MRF24XA

FIGURE 4-11: FRAME RECEPTION IN PACKET MODE (TRXMODE = 00)



REGISTER 4-8: RXCON1 (MAC RECEIVE CONTROL 1 REGISTER)
ADDRESS: 0x15

R/W/HC/HS-0	R/W-0	RW/HC-0	RW-1	RW-1	RW-1	RW-1	R-0
RXEN	NOPA	RXDEC	RSVLQIEN	RSVRSSIEN	RSVCHDREN	RSVCFOEN	r
bit 7							bit 0

Legend: R = Readable bit	W = Writable bit	U = Unimplemented bit, read as '0'
-n = Value at POR	'1' = Bit is set	'0' = Bit is cleared
r = Reserved	HC = Hardware Clear	HS = Hardware Set
		x = Bit is unknown

- bit 7 **RXEN:** Receive Enable Field bit
 This bit Enables/Disables the packet reception. If an RX packet is currently being received, clearing this bit causes that packet to be discarded.
 1 = RX enabled
 0 = RX disabled
 Hardware clear/set when:
- Cleared when TRXMODE is set to TX-Streaming mode
 - Set when TRXMODE is set to RX-Streaming mode
- Clearing this bit aborts the current operation in the following cases:
- Receiving a packet in Packet mode or in RX-Streaming mode
- Changes to most RX related settings must be only done when this bit is cleared.
 The clear channel assessment (CSMAEN) and ACK-frame reception does not require RXEN = 1 as the device turns the radio into RX when needed, irrespective of the status of the RXEN bit.
- bit 6 **NOPA:** No Parsing bit
 This bit disables packet parsing. Only CRC is checked if it is enabled. This feature is useful in Sniffer mode.
 1 = Disable packet parsing
 0 = Enable packet parsing
- bit 5 **RXDEC:** RX Decryption bit
 Setting this bit starts RX security processing (authentication or decryption, or both) on the last received packet.
 1 = RX security processing started/in process. RXDECIF or RXTAGIF is set.
 0 = RX security processing inactive or complete
 This bit clears itself after RX decryption is completed.
- bit 4 **RSVLQIEN:** Receive Status Vector LQI Enable bit
 If this bit is set, the measured Link Quality is appended after the received frame in the packet buffer.
 1 = Append LQI field
 0 = Do not append LQI field
- bit 3 **RSVRSSIEN:** Receive Status Vector RSSI Enable bit
 If this bit is set, the measured RSSI is appended after the received frame in the packet buffer.
 1 = Append RSSI field
 0 = Do not append RSSI field
- bit 2 **RSVCHDREN:** Receive Status Vector Channel/MAC Type/Data Rate Enable bit
 If this bit is set, Channel, MAC type and Data Rate configurations used with the received frame are appended after the received frame in the packet buffer, using the encoding specified for CH<3:0>, FRMFMT and DR<2:0> (concatenated in this order when most significant bit (MSb) is first).
 1 = Append Channel, MAC type and Data Rate fields
 0 = Do not append Channel, MAC type and Data Rate fields
- bit 1 **RSVCFOEN:** Receive Status Vector CFO Enable bit
 If this bit is set, the estimated Carrier Frequency Offset of the received frame is appended after the received frame in the packet buffer, using the same encoding as CFOMEAS register.
 1 = Append CFO estimation
 0 = Do not append estimated CFO
- bit 0 **Reserved:** Maintain as '0'

MRF24XA

REGISTER 4-9: RXCON2 (MAC RECEIVE CONTROL 2 REGISTER)

ADDRESS: 0x16

R/C/HS-0	RW-0	R-0	RW-0	RW-0	RW-0	RW-0	RW-0
RXBUFFUL	IDENTREJ	ACKRXFP	ACKTXFP	AUTORPTEN	AUTOACKEN	ADPTCHEN	ADPTDREN
bit 7							bit 0

Legend: R = Readable bit W = Writable bit U = Unimplemented bit, read as '0'			
-n = Value at POR	'1' = Bit is set	'0' = Bit is cleared	x = Bit is unknown
r = Reserved			

bit 7

RXBUFFUL: RX Buffer Full bit

Host MCU clears this bit to indicate that the RX packet is processed. If this bit is uncleared before the next valid RX packet is detected (packet is not a duplicate, pass RX filter, and so on), then the device sets RXOVFIF and the buffer content is unmodified, where RXBUFFUL = 1 locks write access by a new frame. Moreover, the host can both read and write to the buffer or perform security processing.

In TRXMODE = 00 (PACKET) mode:

- 1 = Receive buffer content is yet to be read by the host or processed, and cannot be overwritten by a new frame
- 0 = Receive buffer is free for receiving a new frame

In TRXMODE = 01 (RXSTREAMING) mode:

- 1 = Current buffer being read from the bus contains a valid RX Packet
- 0 = Current buffer being read from the bus is empty

bit 6

IDENTREJ: Reject Identical Packet bit

Setting this bit enables the user to reject an incoming packet, in case its source address and sequence number is the same as the previously received packet.

This bit is used whenever a packet is received and ACK is transmitted, but the ACK is never received that the sender resends the TX packet. When this happens, triggers for RXIF is avoided for the second time for the same packet, thus, the second packet is ignored.

This bit is also used when a packet is repeated and the next repeater repeats the same packet back. This packet is received, but ignored.

- 1 = Any packet received with the same source address and sequence number as the last packet successfully received is discarded and RXIDNTIF is thrown
- 0 = Duplicated packets are processed further same as non-duplicated packets

bit 5

ACKRXFP: ACK RX Frame Pending bit

This read-only Status bit reflects the value of the FrameCtrl (FramePend) bit in the last received 802.15.4 compatible ACK frame.

bit 4

ACKTXFP: ACK TX Frame Pending bit

The value of this bit is transmitted in the FrameCtrl (FramePend) bit slot when the MAC sends an ACK packet in 802.15.4 Compatibility mode.

bit 3

AUTORPTEN: Auto-Repeat Enable bit

If this bit is set, the MAC automatically transmits a packet whenever a packet is received and its Repeat bit is set.

- 1 = Auto-Repeat feature is enabled
- 0 = Auto-Repeat feature is disabled

Note 1: Use ADPTCHEN field while receiving and transmitting, and must be unmodified while RXEN or TXST is set.

Note 2: Use ADPTDREN field while receiving and transmitting, and must be unmodified while RXEN or TXST is set.

REGISTER 4-9: RXCON2 (MAC RECEIVE CONTROL 2 REGISTER) (CONTINUED)**ADDRESS: 0x16**

- bit 2 **AUTOACKEN:** Auto-Acknowledge Enable bit
Setting this bit enables the device to automatically transmit an ACK packet whenever a packet is received and its AckReq bit is set.
1 = Automatic Acknowledge processing enabled
0 = Automatic Acknowledge processing disabled
- bit 1 **ADPTCHEN:** Adaptive Channel Enable bit⁽¹⁾
Setting this bit enables the MAC in Proprietary mode to set the transmitting channel for the ACK packet based on the AckInfo field (Proprietary packet) of the received packet, rather than the CH<3:0> register bits.
1 = Adaptive Channel feature is enabled
0 = Adaptive Channel feature is disabled
This feature is also known as Channel Agility. For more information, see **Section 7.1 “Channel Agility”**.
- bit 0 **ADPTDREN:** Adaptive Data Rate Enable bit⁽²⁾
Setting this bit enables the MAC in Proprietary mode to set the transmission data rate for the ACK packet based on the AckInfo field (Proprietary packet) of the received packet, rather than the DR<2:0> register bits.
1 = Adaptive Data Rate feature is enabled
0 = Adaptive Data Rate feature is disabled
This feature is also known as Channel Agility. For more information, see **Section 7.1 “Channel Agility”**.

- Note 1:** Use ADPTCHEN field while receiving and transmitting, and must be unmodified while RXEN or TXST is set.
- 2:** Use ADPTDREN field while receiving and transmitting, and must be unmodified while RXEN or TXST is set.

MRF24XA

REGISTER 4-10: PIR3 (PERIPHERAL INTERRUPT REGISTER 3)

ADDRESS: **0x06**

R/W/HS/HC-0	R/W/HS/HC-0	R/W/HS/HC-0	R-0	R/W/HS/HC-0	R/W/HS/HC-0	R/W/HS/HC-0	R/W/HS/HC-0
RXIF	RXDECIF	RXTAGIF	r	RXIDENTIF	RXFLTIF	RXOVFIF	STRMIF
bit 7							bit 0

Legend: R = Readable bit	W = Writable bit	U = Unimplemented bit, read as '0'
-n = Value at POR	'1' = Bit is set	'0' = Bit is cleared
r = Reserved	HC = Hardware Clear	HS = Hardware Set
		x = Bit is unknown

- bit 7 **RXIF:** Received Successful Interrupt Flag bit
 Set by the device when a frame passed the packet filtering and accepted, refer to [Register 2-23](#). This interrupt flag is set only once for a packet and is not set when the packet is the duplicate of a repeated transmission (sequence number matches with the previously received frame).
 Nonpersistent, cleared by SPI read.
- bit 6 **RXDECIF:** Receiver Decryption/Authentication Passed Interrupt Flag bit
 Set by the device when decryption/authentication finished without error. Nonpersistent, cleared by SPI read.
- bit 5 **RXTAGIF:** Receiver Decryption/Authentication Failure Interrupt Flag bit
 Set by the device when decryption/authentication finished with error. Nonpersistent, cleared by SPI read.
- bit 4 **Reserved:** Maintain as '0'
- bit 3 **RXIDENTIF:** Received Packet Identical Interrupt Flag bit
 Set by the device when the packet is the duplicate of a repeated transmission (sequence number and source address matches with the previously received frame). Nonpersistent, cleared by SPI read.
- bit 2 **RXFLTIF:** Received Packet Filtered Interrupt Flag bit
 Set by the device when a packet was received, but rejected by one or more RX Filters, refer to [Register 2-23](#). Nonpersistent, cleared by SPI read.
- bit 1 **RXOVFIF:** Receiver Overflow Error Interrupt Flag bit
 Set by the device to indicate that a packet was received, but all RX buffers are full. Consequently, the packet was not received, but was discarded instead⁽¹⁾.
 Nonpersistent, cleared by SPI read.
- bit 0 **STRMIF:** Receive Stream Time-Out Error Interrupt Flag bit
 Set by the device to indicate that the duration specified in STRMTO elapsed since the last received packet while in RX-Streaming mode, and the MAC clears the stored sequence number. Nonpersistent, cleared by SPI read.

Note 1: In Packet mode, use a single buffer for received frames. In RX-Streaming mode, use both buffers for reception.

REGISTER 4-11: PIR4 (PERIPHERAL INTERRUPT REGISTER 4)
ADDRESS: 0x07

RW/HS/HC-0	RW/HS/HC-0	RW/HS/HC-0	RW/HS/HC-0	RW/HS/HC-0	RW/HS/HC-0	RW/HS/HC-0	RW/HS/HC-0
TXSFDIF	RXSFDIF	ERRORIF	WARNIF	EDCCAIF	GPIO2IF	GPIO1IF	GPIO0IF
bit 7						bit 0	

Legend: R = Readable bit	W = Writable bit	U = Unimplemented bit, read as '0'
-n = Value at POR	'1' = Bit is set	'0' = Bit is cleared
r = Reserved	HC = Hardware Clear	HS = Hardware Set
		x = Bit is unknown

- bit 7 **TXSFDIF:** Transmit SFD Sent Interrupt Flag bit
Set by the device when the last sample of the SFD field has been sent into the air.
Nonpersistent, cleared by SPI read.
- bit 6 **RXSFDIF:** Receive SFD Detected Interrupt Flag bit
Set by the device when the SFD field of the received frame is detected.
Nonpersistent, cleared by SPI read.
- bit 5 **ERRORIF:** General Error Interrupt Flag bit
Set by the device, when malfunction state is reached.
- bit 4 **WARNIF:** Warning Interrupt Flag bit
Set by the device when one of the following occurred:
- Battery voltage drops below the threshold given by BATMON<4:0>
 - Resistor on pin 28 is missing or not connected well
- bit 3 **EDCCAIF:** Energy Detect/CCA Done Interrupt Flag bit
Set by the device when Energy-detect or CCA measurement is complete (following that the host MCU has set the EDST/CCAST bit to start the measurement and the device is clearing it in on completion).
Nonpersistent. Cleared by SPI read.
- bit 2 **GPIO2IF:** GPIO2 Interrupt Flag bit
Set by the device if the GPIOMODE register is set to normal operation, the GPIO is enabled and configured to input and the level matches with the polarity.
- bit 1 **GPIO1IF:** GPIO1 Interrupt Flag bit
Set by the device if the GPIOMODE register is set to normal operation, the GPIO is enabled and configured to input and the level matches with the polarity.
- bit 0 **GPIO0IF:** GPIO0 Interrupt Flag bit
Set by the device if the GPIOMODE register is set to normal operation, the GPIO is enabled and configured to input and the level matches with the polarity.

MRF24XA

REGISTER 4-12: PIR2 (PERIPHERAL INTERRUPT REGISTER 2)

ADDRESS: 0x05

R/W/HS/HC-0	R/W/HS/HC-0	R/W/HS/HC-0	R/W/HS/HC-0	R/W/HS/HC-0	R/W/HS/HC-0	R/W/HS/HC-0	R/W/HS/HC-0
TXIF	TXENCIF	TXMAIF	TXACKIF	TXCSMAIF	TXSZIF	TXOVFIF	FRMIF
bit 7							bit 0

Legend: R = Readable bit W = Writable bit U = Unimplemented bit, read as '0'
-n = Value at POR '1' = Bit is set '0' = Bit is cleared x = Bit is unknown
r = Reserved HC = Hardware Clear HS = Hardware Set

bit 7-1 Out of scope

bit 0 **FRMIF:** Frame Format Error Interrupt Flag bit

Set if the transmitter/receiver fails to parse the frame in the buffer (it is not as it must be or it is corrupted in demodulation). For example, reserved values found in the MAC header fields.

Nonpersistent, cleared by SPI read.

4.11 Carrier Sense Multiple Access-Collision Avoidance (CSMA-CA)

Carrier Sense Multiple Access-Collision Avoidance (CSMA-CA) is performed before transmitting a packet to increase the odds that the packet is successfully received without interference from other transmitting devices nearby.

When enabled (CSMAEN = 1), the MAC automatically performs CSMA-CS using the underlying Clear Channel Assessment (CCA) operation. CSMA-CA is only performed before transmitting a packet (excluding ACK packets automatically transmitted during Auto-Acknowledge) in Packet and Repeater mode.

4.11.1 CSMA-CA CONFIGURATION

Setting the CSMAEN register bit enables CSMA-CA. CSMA-CA is automatically executed when the TXST register bit is set before the packet is transmitted. CSMA-CA is considered part of a transmission operation and it is aborted when the TXST register bit is cleared, and not when the RXEN register bit is cleared.

The following register bits are used in the Configuration of CSMA-CA:

- CSMAEN
- BOMCNT<2:0>
- BOUNIT<7:0>
- MINBE<3:0>
- MAXBE<3:0>

4.11.2 CSMA-CA BACK-OFF ALGORITHM

1. Wait a random number of Base time units between 0 and $(2^{\text{MINBE}-1}) * \text{BOUNIT}<7:0>$.

Note: If MINBE = 0, the first iteration of the CSMA algorithm performs a CCA operation immediately without any backoff time.

2. Perform a Clear Channel Assessment (CCA) operation.
3. If CCA fails, then wait for a random number of Base time units between 0 and $(2^{(\text{MINBE}+1)-1}) * \text{BOUNIT}<7:0>$.
4. Repeat above two steps until CCA passes, incrementing the back-off exponent each time, until the maximum back-off time becomes $(2^{\text{MAXBE}-1}) * \text{BOUNIT}<7:0>$, or until the number of attempts is greater than BOMCNT<2:0>.
5. If CCA is failed, but the number of attempts is less than BOMCNT<2:0>, keep trying with a back-off time of $(2^{\text{MAXBE}-1}) * \text{BOUNIT}<7:0>$ Base time units until the number of attempts is greater than BOMCNT<2:0>, or CCA passes.
6. If CCA still fails, the TX CSMA Error event is generated.

MRF24XA automatically controls an external LNA if enabled.

MRF24XA

REGISTER 4-13: TMRCON (TIMER CONTROL REGISTER)

ADDRESS: 0x19

RW-100		RW-00010	
BOMCNT<2:0>		BASETM<4:0>	
bit 7		bit 0	

Legend: R = Readable bit W = Writable bit U = Unimplemented bit, read as '0'
-n = Value at POR '1' = Bit is set '0' = Bit is cleared x = Bit is unknown
r = Reserved

bit 7-5 **BOMCNT<2:0>**: CSMA-CA Back-off Maximum Count Field bits

The maximum number of back-off attempts that the CSMA-CA algorithm tries before declaring a channel access failure.

111 = Reserved

110 = Reserved

101 = 5 attempts

100 = 4 attempts

011 = 3 attempts

010 = 2 attempts

001 = 1 attempts

000 = 0 attempt

bit 4-0 **BASETM<4:0>**: Base Time Field bits

The number of 1 μ s clock cycles that a Base time unit represents in all register settings. For more information, see **Section 4.1 "MAC Architecture"**.

REGISTER 4-14: CSMABE (CSMA-CA BACK-OFF EXPONENT CONTROL REGISTER)

ADDRESS: **0x1A**

RW-0101	RW-0011
MAXBE<3:0>	MINBE<3:0>
bit 7	bit 0

Legend: R = Readable bit W = Writable bit U = Unimplemented bit, read as '0'
 -n = Value at POR '1' = Bit is set '0' = Bit is cleared x = Bit is unknown
 r = Reserved

bit 7-4 **MAXBE<3:0>:** CSMA-CA Back-off Maximum Count Fields

The maximum value of the Back-off exponent (BE) is in the CSMA-CA algorithm. The back-off time is $(2^{BE}-1)$ units.

1111 = Reserved

-
-
-

1001 = Reserved

1000 $2^8-1 = 255$ maximum units of back-off time

-
-
-

0000 $2^0-1 =$ No back-off time

bit 3-0 **MINBE<3:0>:** CSMA-CA Back-off Minimum Count bit

The minimum value of the back-off exponent (BE) is in the CSMA-CA algorithm. The back-off time is $(2^{BE}-1)$ units.

1111 = Reserved

-
-
-

1001 = Reserved

1000 $2^8-1 = 255$ maximum units of back-off time

-
-
-

0000 $2^0-1 =$ No back-off time

MRF24XA

REGISTER 4-15: BOUNT (BACK-OFF TIME UNIT REGISTER)

ADDRESS: 0x1B

RW-10100000	
BOUNIT<7:0>	
bit 7	bit 0

Legend: R = Readable bit W = Writable bit U = Unimplemented bit, read as '0'
 -n = Value at POR '1' = Bit is set '0' = Bit is cleared x = Bit is unknown
 r = Reserved

bit 7-0 **BOUNIT<7:0>**: CSMA-CA Back-off Period Unit Field bits

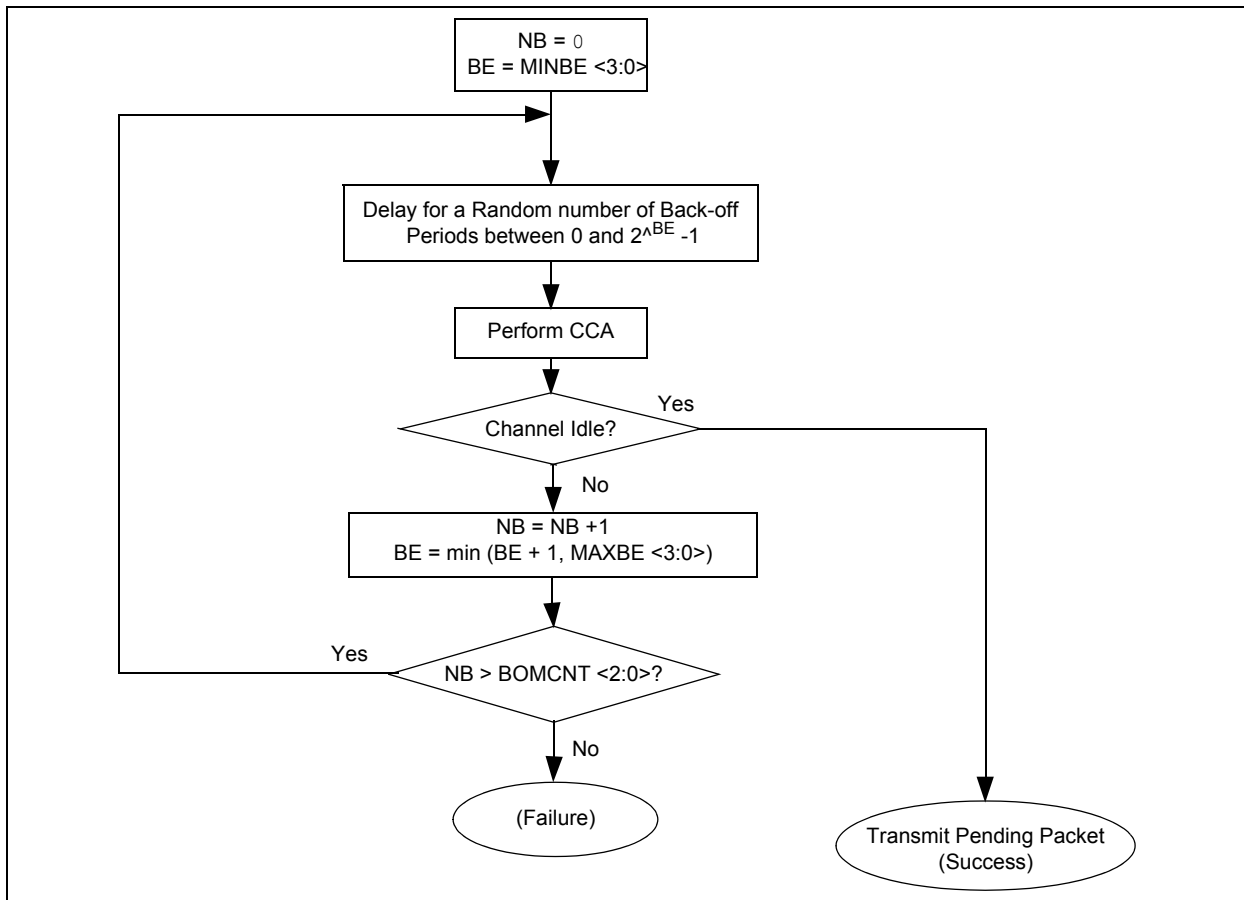
The number of Base time units for the basic back-off time unit used by CSMA-CA algorithm.

11111111 = 256 Base time units

•
•
•

00000000 = 1 Base time unit

FIGURE 4-12: CSMA-CA ALGORITHM



4.12 Clear Channel Assessment (CCA)

Clear Channel Assessment (CCA) is a function within CSMA/CA to determine whether the wireless medium is ready and able to receive data, thus the transmitter can start sending it.

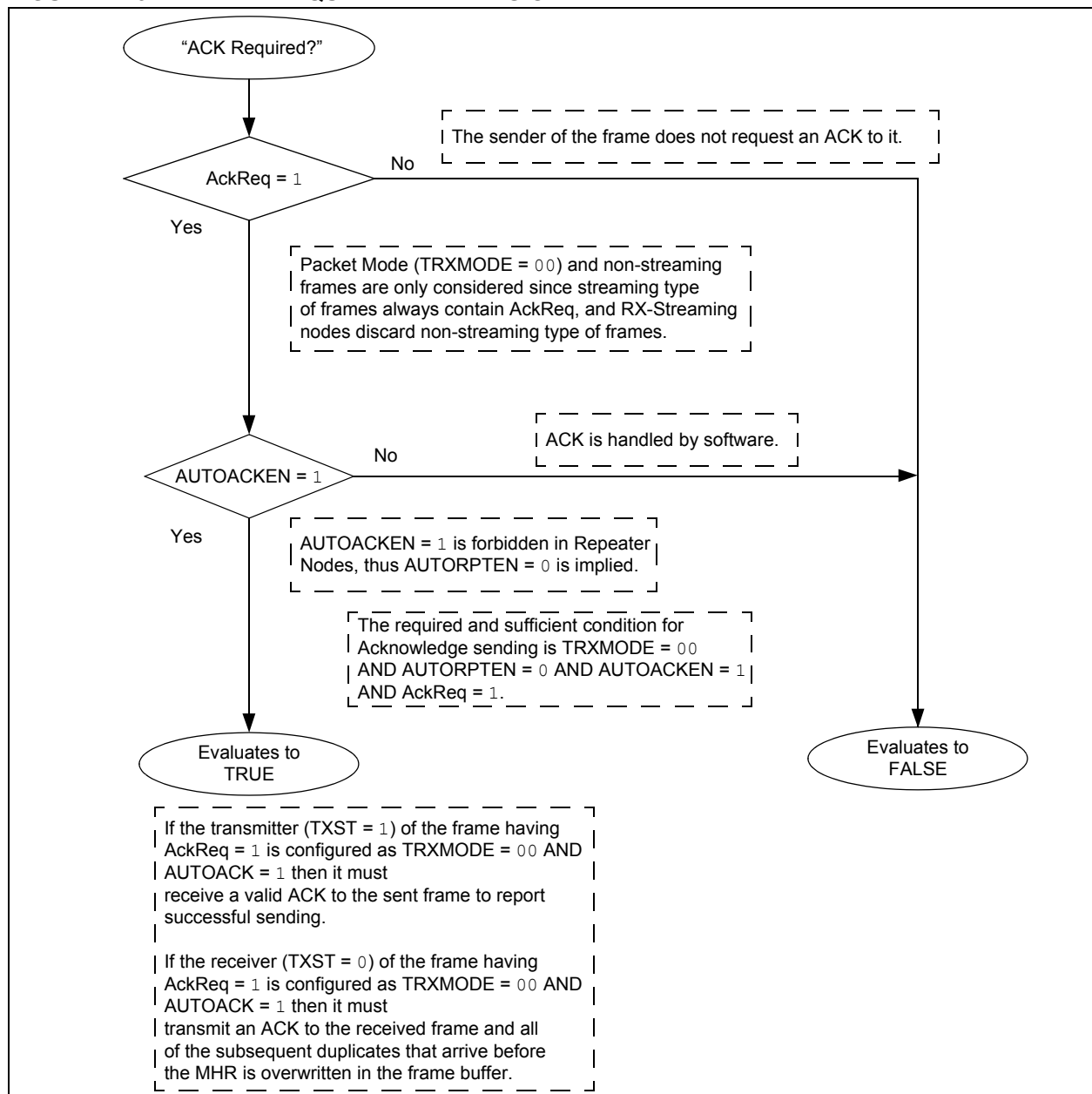
CCA is implemented outside of the MAC. This enables the radio to transmit in the presence of interference from other wireless protocols that operate on the same frequency.

CCA may be performed using either Energy Detection (ED), Carrier Sense (CS), or a combination of both. For more information on register description, see **Section 9.6 “Clear Channel Assessment (CCA)”**.

4.13 Condition for Hardware Acknowledgement

Figure 4-12 illustrates the condition for hardware acknowledgement as examined in Figure 4-9 and Figure 4-11. The AUTOACKEN = 0 case, when Acknowledgement is done by software. Both acknowledgement mechanisms (AUTOACKEN = 0/1) are described for the originator and the recipient.

FIGURE 4-13: ACK REQUIREMENT DECISION



MRF24XA

REGISTER 4-16: RXCON2 (MAC RECEIVE CONTROL REGISTER 2)

ADDRESS: 0x16

R/C/HS-0	RW-0	R-0	RW-0	RW-0	RW-0	RW-0	RW-0
RXBUFFUL	IDENTREJ	ACKRXFP	ACKTXFP	AUTORPTEN	AUTOACKEN	ADPTCHEN	ADPTDREN
bit 7							bit 0

Legend: R = Readable bit W = Writable bit U = Unimplemented bit, read as '0'
-n = Value at POR '1' = Bit is set '0' = Bit is cleared x = Bit is unknown
r = Reserved HS = Hardware Set C = Clearable bit

bit 7-3 Out of scope

bit 2 **AUTOACKEN:** Auto-Acknowledge Enable bit

Recipient of a data frame: If this bit is set, the device automatically transmits an ACK packet whenever a packet is received and its AckReq bit is set.

Originator of a data frame: If this bit is set, the device awaits an ACK packet after the transmission of a packet (and after each retransmissions), and automatically processes the received ACKnowledge packet without writing it to the buffer. Setting this bit is required to enable automatic retransmissions of the device. The host MCU must clear AUTOACKEN to disable the automatic processing of acknowledge frames and enable writing to the buffer.

1 = Automatic Acknowledge processing enabled

0 = Automatic Acknowledge processing disabled

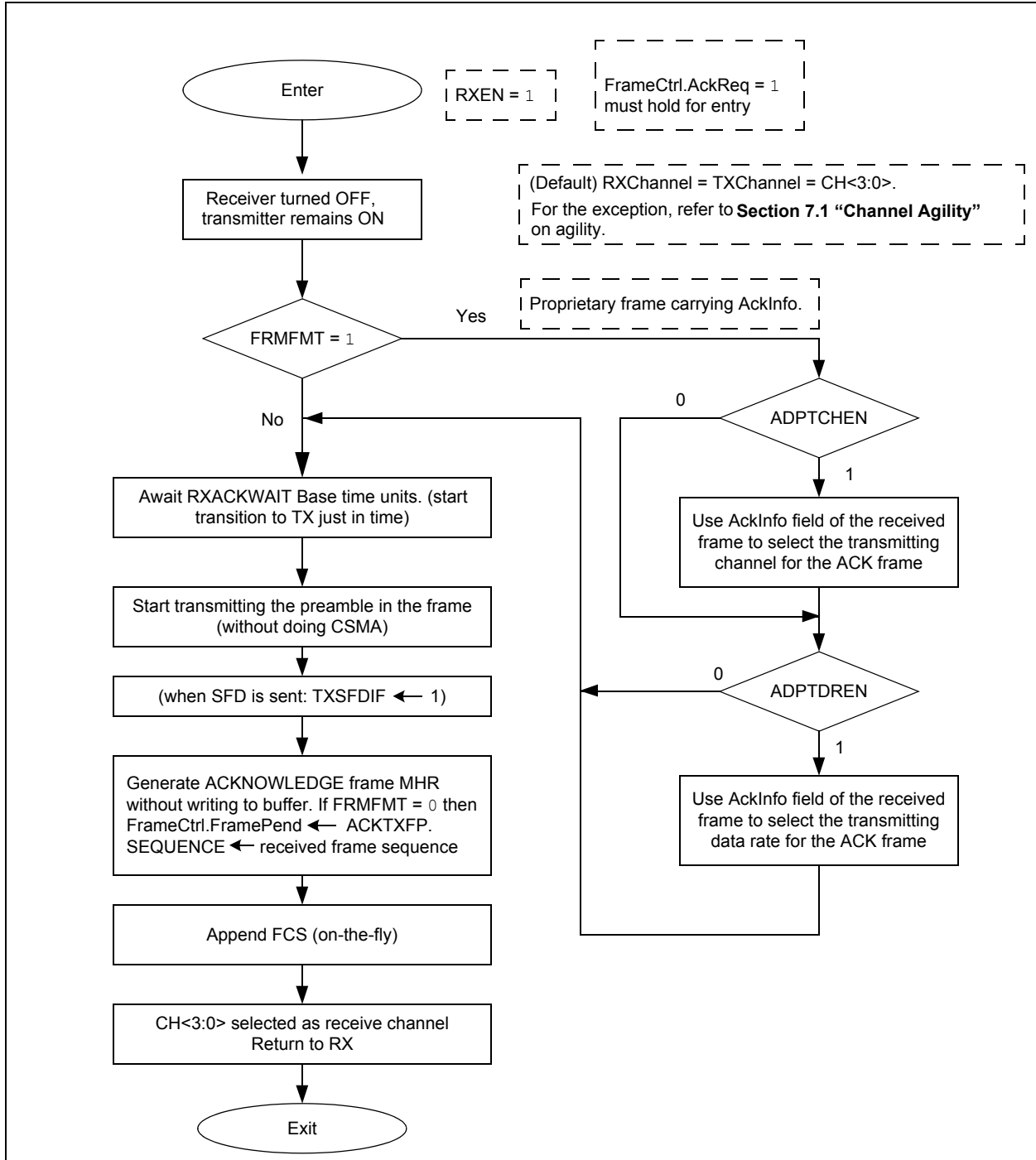
bit 1-0 Out of scope

4.14 Acknowledge Sending by Recipient

A TXIF is not generated when an ACK packet completes transmission. However, TXSFDIF and TXMAIF are set.

ACK sending must never use CSMA whether AUTOACKEN = 1 or 0.

FIGURE 4-14: AUTOMATIC ACKNOWLEDGE SENDING (AUTOACKEN = 1 AND ACKREQ = 1)



MRF24XA

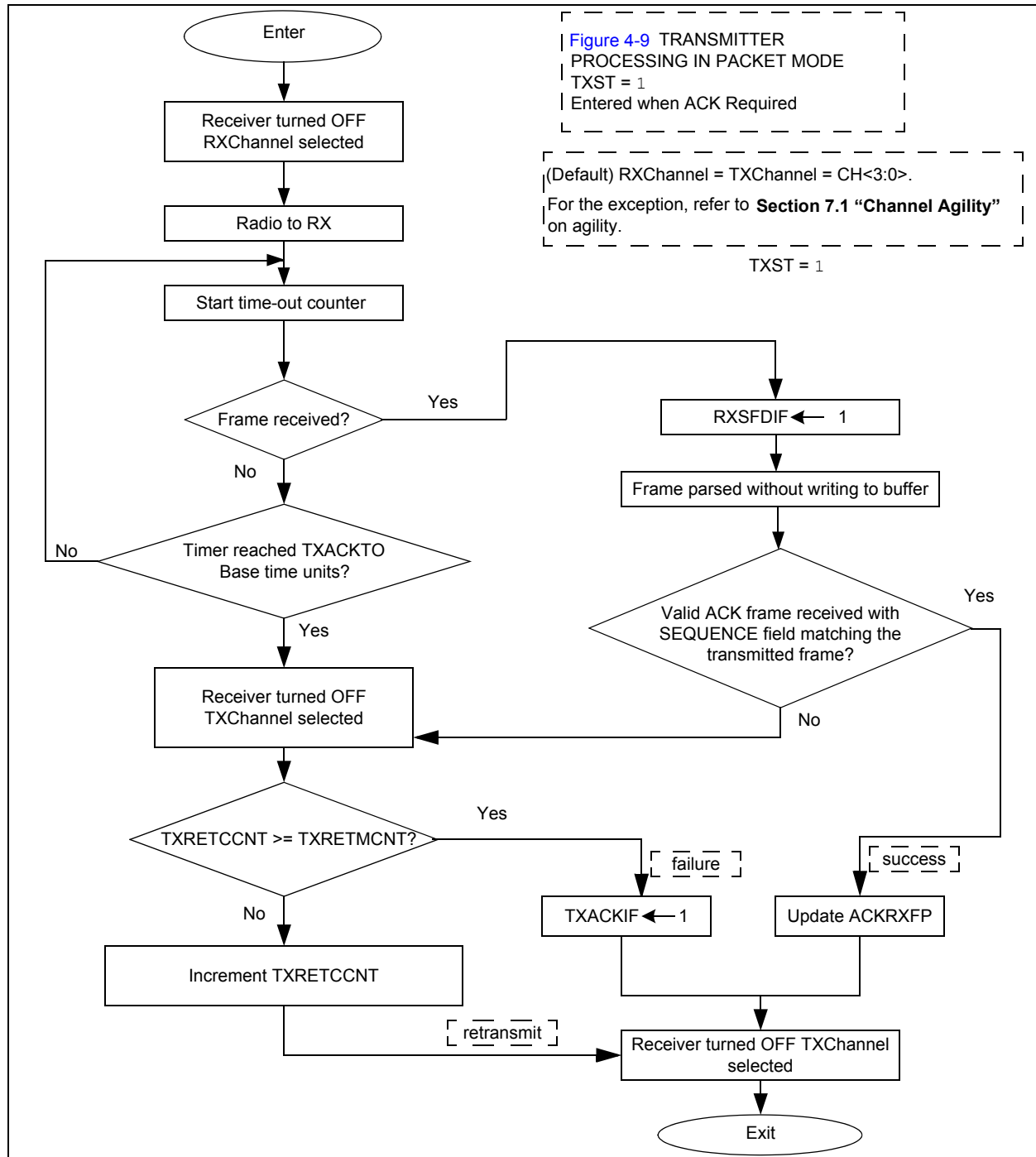
TABLE 4-4: IDENTICAL PACKET REJECTION SCENARIO

RXBUFFERFULL	IDENTREJ	AutoAck	AckReg	Description
0	0	0	0	No ACK is sent, RXBUFFERFULL<1
0	0	0	1	
0	0	1	0	
0	0	1	1	ACK is sent, RXBUFFERFULL<- 1
0	1	0	0	Store sequence number and source address (SA + PID) No ACK is sent, RXBUFFERFULL<- 1
0	1	0	1	
0	1	1	0	
0	1	1	1	Store sequence number and source address (SA + PID) ACK is sent, RXBUFFERFULL<- 1
1	0	X	X	No ACK is sent, RXOVFIF<- 1
1	1	0	0	No ACK is sent, if stored sequence number and source address match with the received one, then RXIDENTIF<- 1 otherwise, RXOVFIF<- 1
1	1	0	1	
1	1	1	0	
1	1	1	1	If stored sequence number and source address match with the received one, ACK is sent and RXIDENTIF <- 1 Otherwise, RXOVFIF<- 1

4.15 Acknowledge Reception by Originator

After the reception of a valid ACK packet (Sequence field matches with transmitted Frame Sequence field), RXSFDIF and TXIF interrupts are generated (the RXIF is not generated while receiving an ACK frame). If the maximum number of retransmissions is reached (TXRETCNT >= TXRETMCNT), for example, no valid acknowledge received, TXACKIF interrupt is generated.

FIGURE 4-15: ACKNOWLEDGE RECEPTION AND RETRANSMISSION CONTROL



MRF24XA

4.16 Base Time Units

Writing the BASET \langle 4:0 \rangle register bits selects the desired Base time. Each increment of BASET \langle 4:0 \rangle is equal to 1 μ s.

The RXACKWAIT \langle 7:0 \rangle , TXACKTO \langle 7:0 \rangle , BOUNIT \langle 7:0 \rangle , STRMTO \langle 15:0 \rangle and OFFTM \langle 7:0 \rangle ⁽³⁾ fields are specified in terms of Base time units.

The BASET \langle 4:0 \rangle bits must be unchanged while RXEN = 1 or TXST = 1. The Base time is used in all modes for all types of packets.

TABLE 4-5: BASE TIME UNITS

Function/Timer	Range of Timer with BASET \langle 4:0 \rangle = 0x01 (1 μ s resolution)	Range of Timer with BASET \langle 4:0 \rangle = 0x02 (2 μ s resolution)	Range of Timer with BASET \langle 4:0 \rangle = 0x04 (4 μ s resolution)
Time to Wait before transmitting an ACK packet (RXACKWAIT \langle 7:0 \rangle)	0-128 μ s	0-256 μ s	0-512 μ s
Maximum time to look for an ACK packet before issuing a TX ACK Error or before retransmitting (TXACKTO \langle 7:0 \rangle)	0-256 μ s	0-512 μ s	0-1024 μ s
CSMA Backoff Time (0 - (2 ^{BE} - 1) * BOUNIT \langle 7:0 \rangle)	—	BOUNIT \langle 7:0 \rangle = 160 ^(1, 2) (320 μ s)	BOUNIT \langle 7:0 \rangle = 80 ⁽²⁾ (320 μ s)
BE = 0	—	0	
BE = 1	—	0-320 μ s	
BE = 2	—	0-960 μ s	
BE = 3	—	0-2.24 ms	
BE = 4	—	0-4.8 ms	
BE = 5	—	0-9.92 ms	
BE = 6	—	0-20.16 ms	
BE = 7	—	0-40.64 ms	
BE = 8	—	0-81.6 ms	
RX Stream Timeout (STRMTO \langle 15:0 \rangle)	0-65 ms	0-131 ms	0-131 ms
Minimum OFF Time (OFFTM \langle 7:0 \rangle * 32) ⁽³⁾	0-8 ms	0-16 ms	0-32 ms

Note 1: The maximum delay that MAC can support is 131 ms. Values outside this range may be set, but results in truncation of the number to one that is less than or equal to 131 ms.

2: The value of 320 μ s is chosen as it is the value referenced in the 802.15.4-2006 specification. Other values are possible, but may break 802.15.4 compliance.

3: Note that the OFFTM \langle 7:0 \rangle register is the only timer value that is expressed not directly in BASET \langle 4:0 \rangle units, but rather is expressed in BASET \langle 4:0 \rangle * 32 units.

4.17 Initialization sequence

To reach optimal RX and TX parameters, some private register values must be changed after every reset. Note that all results in this document were measured with this initialization sequence.

Initiate HW Reset;

Wait for Ready IF;

MRF24XA_WriteByte(0xFF, 0x5A);

MRF24XA_WriteByte(0xB7, 0xC0);

MRF24XA_WriteByte(0x80, 0x87);

MRF24XA_WriteByte(0x81, 0x84);

MRF24XA_WriteByte(0x82, 0x8A);

MRF24XA_WriteByte(0x83, 0x5E);

MRF24XA_WriteByte(0x84, 0xA5);

MRF24XA_WriteByte(0x8A, 0x2B);

MRF24XA_WriteByte(0x8B, 0x30);

MRF24XA_WriteByte(0x8C, 0x30);

MRF24XA_WriteByte(0x97, 0xD0);

MRF24XA_WriteByte(0xA3, 0x37);

MRF24XA_WriteByte(0xA5, 0x14);

MRF24XA_WriteByte(0xAA, 0x54);

MRF24XA_WriteByte(0xAB, 0x0B);

<p>Note: MRF24XA_WriteByte (unsigned short address, unsigned char value) writes the given value to the selected address.</p>

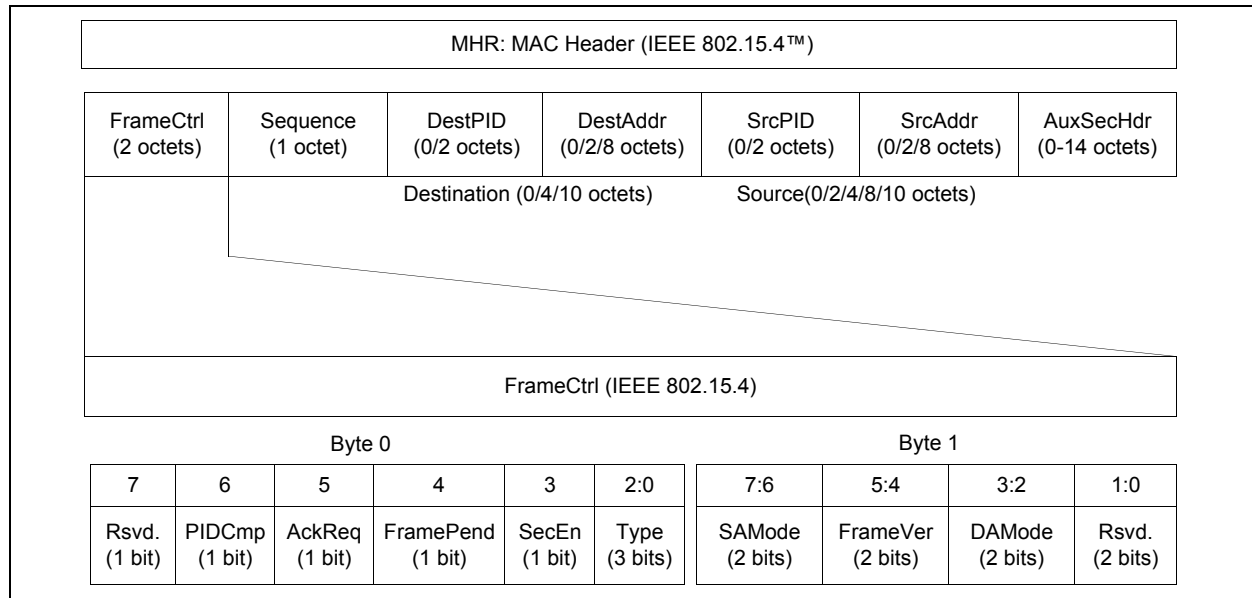
MRF24XA

NOTES:

5.0 IEEE 802.15.4™ COMPLIANT FRAME FORMAT AND FRAME PROCESSING

Figure 5-1 shows the general MAC header structure. The specific format of the Acknowledge frame is provided in Figure 5-2. The frame buffer is written in the following sequence: (1) LENGTH field byte, (2) Byte 0 of the FrameCtrl field, (3) Byte 1 of the FrameCtrl field, and (4) SEQUENCE.

FIGURE 5-1: IEEE.802.15.4™ MAC HEADER STRUCTURE



- Type<2:0>: Indicates the frame type. For more information, see **Section 5.1 “Frame Types in IEEE 802.15.4-Compliant Framing Mode”**.
- SecEn: Security Enable bit. For more information, see **Section 5.3 “Security Material”** and **Section 5.4 “Security Material Retrieval with IEEE 802.15.4 Compliant Frames”**.
- FramePend: This bit of the ACK frame must be set when ACKTXFP = 1 and the frame being ACK'd is an 802.15.4 Data Request Command Frame (FrameCtrl.Type = 011 AND CMDType = 0x04), and cleared otherwise. CSMA-CA is not performed before sending out ACK packets.
- AckReq: ACK Request. For more information, see **Section 4.12 “Clear Channel Assessment (CCA)”**.
- PIDCmp: PAN Identifier Compare. For more information, see **Section 5.2 “Addressing in IEEE 802.15.4 Compliant Framing Mode”**.
- DAMode: Destination Address Mode. For more information, see **Section 5.2 “Addressing in IEEE 802.15.4 Compliant Framing Mode”**.
- SAMode: Source Address Mode. For more information, see **Section 5.2 “Addressing in IEEE 802.15.4 Compliant Framing Mode”**.

MRF24XA

FIGURE 5-2: IEEE.802.15.4™ ACKNOWLEDGE FRAME STRUCTURE

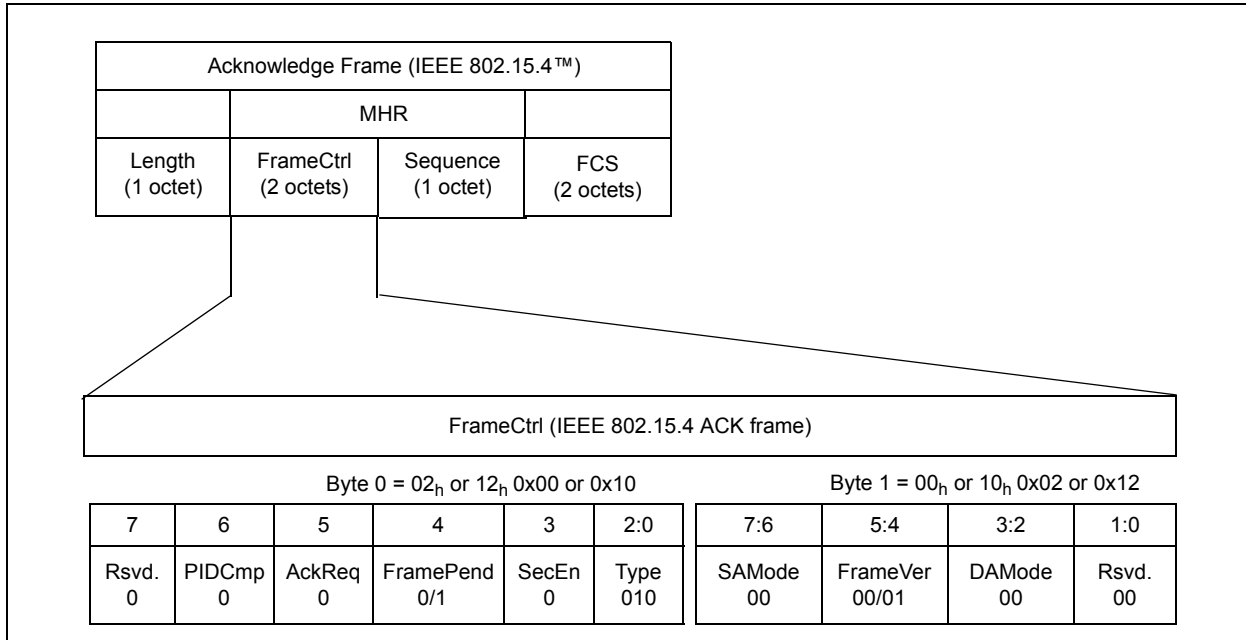
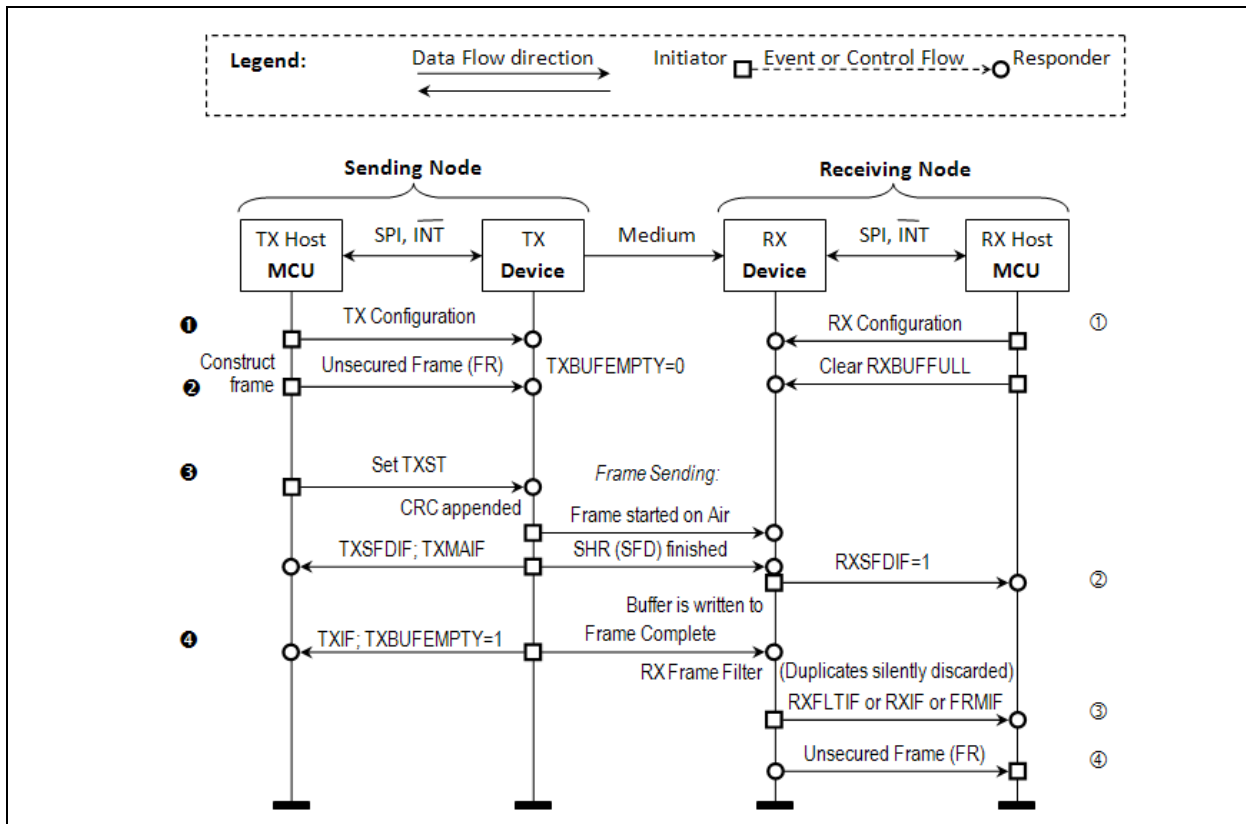


FIGURE 5-3: EXAMPLE: PACKET MODE WITHOUT SECURITY



Transmitter Side:

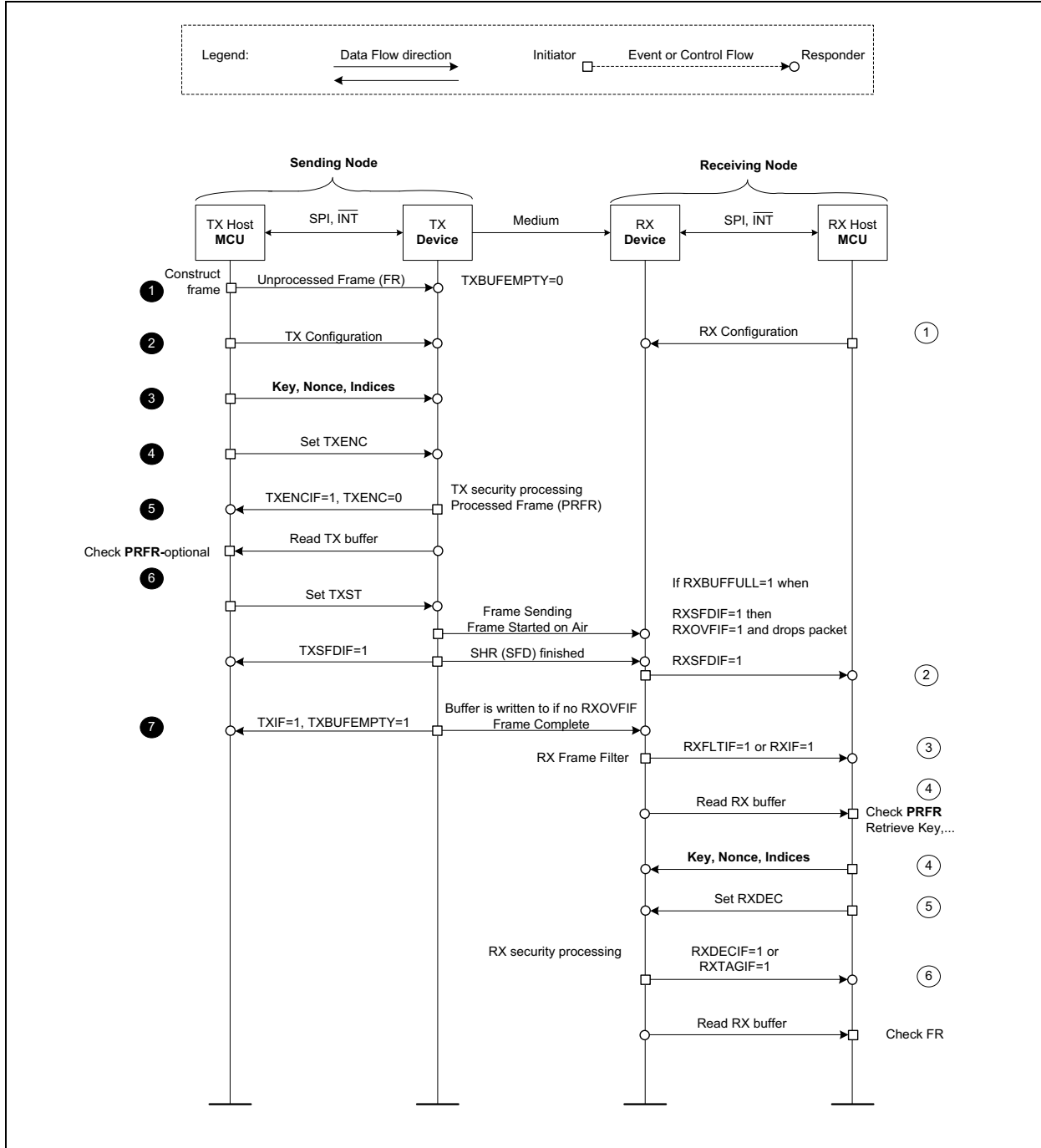
1	Description	TX Configuration: SECEN = 0 CSMAEN = 0
	Example	ShortAddress: 0x1A1B PID: 0x2C2D
2	Description	Construct, download unprocessed frame
	Example	0C 01 98 A8 2C 2D FF FF 2C 2D 1A 1B FF (no CRC) Length = $12_d + 2_d$ (CRC) = $14_d = 0x0E$ FrameCtrl = 0x01 0x98 = Isb_0000_0001_1001_1000 (Data, SEC = 0, DA, SA Short Addresses, ver2006) Sequence = 0xA8 SA/DA PID = 0x2D2C DA = 0xFFFF (broadcast) SA = 0x1B1A (unicast) MAC Payload = 0xFF
3	Description	Set TXST: Launches transmission. CRC is appended. Length is incremented accordingly.
	Example	0E 01 98 A8 2C 2D FF FF 2C 2D 1A 1B FF A7 8E CRC: 0xA7 0x8E
4	Description	End of Transmission (No ACK Request, No CSMA): TXIF received. TXBUFEMPTY = 1

Receiver Side:

1	Description	RX Configuration: SECEN = 0 (NWK), Security Suite
	Example	Address: Don't care.
2	Description	RXSFDIF = 1 unless RXBUFFUL = 1 (If RXBUFFUL = 1 then RXSFDIF = 1; RXOVFIF = 1; no writing to buffer)
3	Description	RX Parsing and Filtering when frame reception is complete. If duplicated packet then silently discarded Else if packet filtered then RXFLTIF, Otherwise RXIF = 1 (since SECEN = 0)
	Example	RXFILTER(@0x18) = 0x45
4	Description	RXIF = 1. CRC is not valid for the decrypted frame.
	Example	0E 01 98 A8 2C 2D FF FF 2C 2D 1A 1B FF A7 8E RSVs

MRF24XA

FIGURE 5-4: EXAMPLE: PACKET MODE WITH NKW-LAYER SECURITY



Transmitter Side:

1	Description	Construct, download unprocessed frame													
	Example	<p>12 01 98 A8 2C 2D FF FF 2C 2D 1A 1B 01 02 03 04 05 06 FF (No MIC, no CRC) Length = $18_d + 4_d$ (MIC-32) + 2_d (CRC) = $24_d = 0x18$ FrameCtrl = 0x01 0x98 = lsb_0000_0001_1001_1000 (SEC = 0, DA, SA Short Addresses, ver2006) Sequence = 0xA8 SA/DA PID = 0x2D2C DA = 0xFFFF (broadcast) SA = 0x1B1A (unicast) Network Header = 0x01 0x02 0x03 0x04 0x05 0x06 Network Payload = 0xFF</p>													
2	Description	TX Configuration: NWK layer security													
	Example	Security Suite = MIC-32													
3	Description	TX Configuration: Key, Nonce, Payload Index, Header Index													
	Example	Short Address = 0x1B1A				MRF24XA register content									
		PID = 0x2D2C				0x20	22	33	44	55	66	77	88	1A	
			Header Index (@0x2B) = 12_d				0x28	1B	2C	2D	0C	12	00	00	00
			Payload Index (@0x2C) = 18_d												
			Key<i> = 0x0F0E0D0C0B0A09080706050403020100				MRF24XA register content								
		Nonce<i> = 0x50 + <i>, i = 0...12				0x40	00	01	02	03	04	05	06	07	
						0x48	08	09	0A	0B	0C	0D	0E	0F	
						0x50	60	61	62	63	64	65	66	67	
						0x58	68	69	6A	6B	6C	00	00	00	
4	Description	Issue TXENC: Launches CCM authentication and encryption.													
5	Description	Security Processing Done: TXENCIF = 1, TXENC = 0. Optionally, TX buffer is read. Processed Frame PRFR is compared to the result of the receiver security processing or to the calculated expected outcome.													
	Example	<p>Expected buffer content: 16 01 98 A8 2C 2D FF FF 2C 2D 1A 1B 01 02 03 04 05 06 46 78 C3 22 32 (no CRC) Encrypted payload (0xFF): 0x46 MIC-32: 0x{78 C3 22 32} CRC: 0xA7 0x8E</p>													
6	Description	Set TXST: Launches transmission. CRC is appended.													
	Example	<p>18 01 98 A8 2C 2D FF FF 2C 2D 1A 1B 01 02 03 04 05 06 46 78 C3 22 32 A7 8E CRC: 0xA7 0x8E</p>													
7	Description	End of Transmission (No ACK Request, No CSMA): TXIF received. TXBUFEMPTY= 1													

MRF24XA

Receiver Side:

1	Description	RX Configuration: Security Suite
	Example	Security Suite = MIC-32
2	Description	If RXBUFFUL is 0 then RXSFDIF = 1 If RXBUFFUL is 1 then RXSFDIF = 1 RXOVFIF = 1 (no writing to buffer)
3	Description	RX Parsing and Filtering when frame reception is complete. If packet filtered then RXFLTIF, Otherwise = 1 (Network secured frame received since SECEN = 0)
	Example	RXFILTER(@0x18) = 0x45
4	Description	Read RX buffer containing PRFR + CRC. CRC is valid for the encrypted frame and, LQI, RSSI (RSVs) appended to the frame.
	Example	18 01 98 A8 2C 2D FF FF 2C 2D 1A 1B 01 02 03 04 05 06 46 78 C3 22 32 A7 8E RSVs CRC: 0xA7 0x8E
5	Description	RXDEC = 1 launches decryption and authenticity checking.
6	Description	If authenticity is approved (success): RXDECIF = 1. CRC is not valid for the decrypted frame. Otherwise RXTAGIF = 1.
	Example	1A 01 98 A8 2C 2D FF FF 2C 2D 1A 1B 01 02 03 04 05 06 FF 78 C3 22 32 A7 8E 6C 42 RSSI: 0x6C LQI: 0x42

5.1 Frame Types in IEEE 802.15.4-Compliant Framing Mode

The Type<2:0> bit field in FrameCtrl uses the encoding in [Table 5-1](#).

TABLE 5-1: IEEE 802.15.4™ FRAME TYPES

TYPE Field b2,b1,b0	Frame Type	Related Hardware Features
000	Beacon	Beacons are a specific type of broadcast frames. This device does not provide support for MHR-parsing on Beacon frames. Beacon frames are always accepted as valid frames.
001	Data	This is filtered by setting DATAREJ.
010	Acknowledge	Must be generated by the receiver (from SW or HW), if AckReq = 1 in the last received frame, and must contain the same Sequence value. This is generated by hardware (AUTOACKEN = 1). In this case it is not loaded to the TX frame buffer. AUTOACKEN = 1 requires CRCSZ = 1 on both the transmitter and the receiver side.
011	Command	This is filtered by CMDREJ. First byte of payload (Command) is never encrypted. See command encoding in Table 82 in Section 7.3 of IEEE 802.15.4™-2006.
1xx	Reserved	—

If SecEn bit in FrameCtrl is set, the hardware parses the frame to construct the security material (both at sending and after reception). In the case of Beacon frames, it is the responsibility of the host MCU to set the security materials before transmission (TXST) and after reception (RXIF).

For Beacon frames, the Frame Version subfield must be set to '1' if the Security Enabled subfield is set to '1'.

REGISTER 5-1: RXFILTER (RX FILTER REGISTER)
ADDRESS: 0x18

R/W-0	R/W-1	R/W-1	R/W-1	R/W-1	R/W-1	R/W-1	R/W-1
PANCRDN	CRCREJ	CMDREJ	DATAREJ	UNIREJ	NOTMEREJ	BCREJ	NSTDREJ
bit 7							bit 0

Legend: R = Readable bit W = Writable bit U = Unimplemented bit, read as '0'
 -n = Value at POR '1' = Bit is set '0' = Bit is cleared x = Bit is unknown
 r = Reserved

bit 7-6 Out of Scope

bit 5 **CMDREJ:** Command Frame Reject Enable bit

Setting this bit enables the user to reject all packets with FrameCtrl<Type> equal to Command.

- 1 = Reject all Command packets
- 0 = Disable Command Frame Rejection

bit 4 **DATAREJ:** Data Frame Reject Enable bit

Setting this bit enables the user to reject all packets with FrameCtrl<Type> equal to Data.

- 1 = Reject all Data packets
- 0 = Disable Data Frame Rejection

bit 3-0 Out of Scope

MRF24XA

5.2 Addressing in IEEE 802.15.4 Compliant Framing Mode

The Destination Addressing Mode (DAMode) and Source Addressing Mode (SAMode) bit fields of FrameCtrl defines the Address format used in MHR, see [Figure 5-1](#). DAMode subfield encodes the length of the DestPID and DestAddr fields as listed in [Table 5-3](#). SAMode subfield encodes the length of the SrcPID and SrcAddr fields as listed in [Table 5-3](#).

TABLE 5-2: IEEE 802.15.4™ DESTINATION ADDRESSING MODES

DAMode b1, b0	Destination Addressing Mode	DestPID DestAddr format
11	16-bit DestPID and 64-bit Dest. Long Address	XXXXh XXXX_XXXX_XXXX_XXXXh
10	16-bit DestPID and 16-bit Dest. Short Address	XXXXh XXXXh
01	Reserved	—
00	DestPID and DestAddr are not present	—

TABLE 5-3: IEEE 802.15.4™ SOURCE ADDRESSING MODES

SAMode b1, b0	Source Addressing Mode	SrcPID SrcAddr Format
11	If DAMode<1> = 1 and PIDCmp = 1, then only 64-bit Source Long Address (SrcPID is implied by DestPID) else, 16-bit SrcPID and 64-bit Source Long Address	- XXXX_XXXX_XXXX_XXXXh XXXXh XXXX_XXXX_XXXX_XXXXh
10	If DAMode<1> = 1 and PIDCmp = 1, then only 16-bit Source Short Address (SrcPID is implied by DestPID) else, 16-bit SrcPID and 16-bit Source Short Address	- XXXXh XXXXh XXXXh
01	Reserved	—
00	SrcPID and SrcAddr are not present	—

On reception of a frame, each node compares its own SHADDR, ADDR, PANID Configuration, see [Table 5-4](#), to the appropriate destination addressing fields in the received frame. A valid frame is identified if a match is found.

Additionally, rules apply for broadcast frames and for implied unicast addressing as explained in the sequel.

TABLE 5-4: RELEVANT REGISTERS FOR IEEE 802.15.4™-MODE ADDRESSING

ADDR.	REGISTER	Bit 7	Bit 6	Bit 5	Bit 4	Bit 3	Bit 2	Bit 1	Bit 0
0x1F	ADDR1	ADDR<7:0>							
0x20	ADDR2	ADDR<15:8>							
0x21	ADDR3	ADDR<23:16>							
0x22	ADDR4	ADDR<31:24>							
0x23	ADDR5	ADDR<39:32>							
0x24	ADDR6	ADDR<47:40>							
0x25	ADDR7	ADDR<55:48>							
0x26	ADDR8	ADDR<63:56>							
0x27	SHADDRL	SHADDR<7:0>							
0x28	SHADDRH	SHADDR<15:8>							
0x29	PANIDL	PANID<7:0>							
0x2A	PANIDH	PANID<15:8>							

If DAMode subfield is equal to zero and the Frame Type subfield does not specify that this frame is an acknowledgment or Beacon frame, then the SAMode subfield must be non-zero, implying that the frame is directed to the PAN coordinator with the PAN identifier as specified in the Source PAN Identifier field. This addressing option is referred to as 'implied'.

Broadcast frames of type data or command must always use DAMode = 01 and DestAddr = FFFFh.

Acknowledge frames are broadcast frames and always use DAMode = 00 and SAMode = 00.

Beacon frames are broadcast frames and always use DAMode = 00, PIDCmp = 0 with SAMode = 01 or 10. Table 5-6 and Table 5-7 show the examples for destination and source addressing, using the TX and RX node configurations in Table 5-5.

TABLE 5-5: EXAMPLE CONFIGURATION

TX (Source) Configuration	ADDR = 0x080706050403020100 SHADDR = 0x1211 PANID = 0xD2D1
RX (Destination) Configuration	ADDR = 0xA8A7A6A5A4A3A2A1A0 SHADDR = 0xB2B1 PANID = 0xB2B1
MHR	FrameCtrl Sequence DestPID DestAddr SrcPID SrcAddr
FrameCtrl	FrameCtrl<7:0> = 0 PIDCmp X X X Type<2:0> FrameCtrl<15:8> = SAMode<1:0> 0 X DAMode<1:0> 0 0 where, Type is not Acknowledge and X is either of {0,1}

TABLE 5-6: DESTINATION ADDRESSING OPTIONS (IEEE 802.15.4™) USING THE EXAMPLE

Options	Broadcast		Unicast		
	Command (or Data)	Beacon	Long	Short	Implied to Coordin.
DestPID DestAddr	XX,XX FF, FF	—	D1,D2 A1, A2,..., A8	D1,D2 B1, B2	—
TYPE	xxx	000	xxx	xxx	not 000
DAMode	10	00	11	10	00
Address Filter	BCREJ	—	NOTMEREJ, UNIREJ		—

Note 1: DAMode = 01 is reserved and is rejected by NSTDREJ = 1.

TABLE 5-7: SOURCE ADDRESSING OPTIONS (IEEE 802.15.4™) USING THE EXAMPLE

Options	Long (Explicit SrcPID)	Long (Implied SrcPID)	Short (Explicit SrcPID)	Short (Implied SrcPID)	None
SrcPID SrcAddr	D1,D2 01, 02, 03,..., 08	01, 02, 03,..., 08	D1, D2 11, 12	11, 12	—
TYPE	xxx	xxx	xxx	xxx	xxx
SAMode	11	11	10	10	00
DAMode	xx	1x	xx	1x	xx
PIDCmp	0	1	0	1	x

Note 1: SAMode = 01, is reserved, and is rejected by NSTDREJ = 1.

The valid address formats are summarized in Table 5-8 for all frame types. Broadcast and unicast cases are distinguished in the case of command and data frames.

Unicast frames are either addressed to the receiving node or to a different node. UNIREJ and NOTMEREJ are sensitive to the former or the latter case, respectively. Broadcast command and data frames are filtered when BCREJ is set. The parser does not filter the Beacon frames.

MRF24XA

REGISTER 5-2: RXFILTER (RX FILTER) – WHEN IEEE 802.15.4™ MODE ADDRESS: 0x18

R/W-0	R/W-1	R/W-1	R/W-1	R/W-1	R/W-1	R/W-1	R/W-1
PANCRDN	CRCREJ	CMDREJ	DATAREJ	UNIREJ	NOTMEREJ	BCREJ	NSTDREJ
bit 7							bit 0

Legend: R = Readable bit W = Writable bit U = Unimplemented bit, read as '0'
-n = Value at POR '1' = Bit is set '0' = Bit is cleared x = Bit is unknown
r = Reserved

- bit 7-4 Out of scope
- bit 3 **UNIREJ:** Unicast Reject Enable bit⁽²⁾
- Setting this bit enables the user to reject all unicast packets as in:
- 802.15.4 Mode:** PAN Identifier matches with the PANID<15:0> or 0xFFFF, and Destination Address matches the address in the ADDR<63:0> or SHADDR<15:0> register, which the DAMode selects.
- Proprietary Mode:** Destination Address matches the address in ADDR<ADDRSZ<2:0>*8-1:0> register, provided that DAddrPrsnt Frame Control field is set⁽¹⁾.
- 1 = Reject all Unicast packets addressed to this node
0 = Disable Unicast Rejection
- bit 2 **NOTMEREJ:** Not Me Unicast Reject Enable bit⁽³⁾
- Setting this bit enables the user to reject all unicast packets as in:
- 802.15.4 Mode:** Destination PAN Identifier does not match PANID<15:0> and is not 0xFFFF (broadcast) or Destination Address does not match the address in the ADDR<63:0> register or the SHADDR<15:0> register, which the DAMode selects.
- Proprietary Mode:** Destination Address matches the address in ADDR<ADDRSZ<2:0>*8-1:0> register, provided that DAddrPrsnt Frame Control field is set⁽¹⁾.
- 1 = Reject all Unicast packets NOT addressed to this node
0 = Disable Not Me Unicast Rejection Filtering
- bit 1 **BCREJ:** Broadcast Rejection bit
- 802.15.4 Mode:** Setting this bit enables the user to reject all Broadcast packets of type Data or Command. A Data or Command packet is broadcast when Short Destination Addressing is used (DAMode = 10) and Short Address is equal 0xFFFF.
- Proprietary Mode:** Setting this bit enables the user to reject all Broadcast packets of type Data or Command (or Streaming). A packet is broadcast when FrameCtrl[Broadcast] is set.
- 1 = Reject Broadcast Packets
0 = Disable Broadcast Rejection
- bit 0 **NSTDREJ:** Non-Standard Frame Reject bit⁽⁴⁾
- This bit enables the user to reject all 802.15.4 frames having 01 for the DAMode or SAMode fields or having the most significant bit (MSb) (bit 2) in the Type field set (1) or having the MSb (bit 1) in the Frame Version field set to⁽¹⁾.
- 1 = Reject all Non-Standard 802.15.4 packets
0 = Disable Non-Standard Rejection

- Note 1:** In Proprietary mode (FRMFMT = 1), when CRCREJ = 1 is used to reject unicast frames not addressed to this node. NOTMEREJ = 1 does not reject these frames.
- 2:** UNIREJ does not affect the frames using implied destination addressing in 802.15.4 mode and inferred destination addressing in Proprietary mode.
- 3:** NOTMEREJ does not affect the frames using implied destination addressing in 802.15.4 mode and inferred destination addressing in Proprietary mode.
- 4:** NSTDREJ does not affect the Proprietary frames in Proprietary mode.

When a valid frame gets filtered, RXFLTIF is set, otherwise, RXIF terminates the successful reception. For more information, refer to [Register 5-1](#).

Invalid addressing formats are produced if:

- Either DAMode or SAMode are set to the reserved value of '01'.
- DAMode or SAMode values are used with an incompatible Type field value. For example,
 - Beacon with DAMode = 1x
 - DAMode = 00, SAMode = 00 used with Type of Beacon/Command / Data.
- PIDComp is set on an inconsistent way to DAMode and SAMode.
- SrcPID or SrcAddr holds 'FFFF', or if DestPID holds 'FFFF' while DAMode = 11.
- LENGTH field is less than the MHR length computed from FrameCtrl.

The device checks the first condition and FRMIF is generated. The device does not check the second condition, therefore one out of RXIF, RXFLTIF, FRMIF is expected. The hardware checks the third condition and PIDComp value is handled as 0. The hardware does not check the fourth condition and RXIF is expected. All other invalid formats also produces one out of RXIF, RXFLTIF, and FRMIF.

TABLE 5-8: IEEE 802.15.4™ TEST CASES: VALID ADDRESSING FORMATS

DA	PID COMP	SA	DEST ⁽²⁾	TYPES ⁽³⁾	Field Sizes in Octets ⁽⁴⁾	Description ⁽⁵⁾
00	0 ⁽¹⁾	00	BC3	A	0 0 0 0	Acknowledge Frame (no Auto-ACK)
10	0 ⁽¹⁾	00	BC1	C,D	2 2 0 0	Short destination (xxxx FFFF), No Source
10	0 ⁽¹⁾	00	BC2	C,D	2 2 0 0	Short destination (FFFF xxxx), No Source
10	0 ⁽¹⁾	00	UNI	C,D	2 2 0 0	Short destination, No Source
10	0 ⁽¹⁾	00	NOTME	C,D	2 2 0 0	Short destination, No Source
11	0 ⁽¹⁾	00	UNI	C,D	2 8 0 0	Long destination, No Source
11	0 ⁽¹⁾	00	NOTME	C,D	2 8 0 0	Long destination, No Source
00	0 ⁽¹⁾	10	BC3	B	0 0 2 2	Beacon frame sent by the Coordinator
00	0 ⁽¹⁾	10	UNI2, PANCRDN	C,D	0 0 2 2	Implied addressing to Coordinator node. UNI2 for Coordinator.
00	0 ⁽¹⁾	10	NOTME2, PANCRDN	C,D	0 0 2 2	Implied addressing to Coordinator node. NOTME2 for all nodes other.
00	0 ⁽¹⁾	11	BC3	B	0 0 2 8	Beacon frame sent by the Coordinator
00	0 ⁽¹⁾	11	—	C,D	0 0 2 8	Implied addressing to Coordinator node. UNI2 for Coordinator.
00	0 ⁽¹⁾	11	NOTME2, PANCRDN	C,D	0 0 2 8	Implied addressing to Coordinator node. NOTME2 for all nodes other.
10	0 ⁽¹⁾	10	BC1	C,D	2 0 2 2	Short destination (xxxx FFFF), Short source
10	0 ⁽¹⁾	10	BC2	C,D	2 0 2 2	Short destination (FFFF xxxx), Short source
10	0	10	UNI	C,D	2 0 2 2	Short destination, Short source
10	0	10	NOTME	C,D	2 2 2 2	Short destination, Short source
10	1	10	BC1	C,D	2 2 0 2	Short destination(xxxx FFFF), Short source (PID compression)
10	1	10	UNI	C,D	2 2 0 2	Short destination, Short source (PID compression)
10	1	10	NOTME	C,D	2 2 0 2	Short destination, Short source (PID compression)
10	0	11	BC1	C,D	2 2 2 8	Short destination (xxxx FFFF), Long source
10	0	11	BC2	C,D	2 2 2 8	Short destination (FFFF xxxx), Long source
10	0	11	UNI	C,D	2 2 2 8	Short destination, Long source
10	0	11	NOTME	C,D	2 2 2 8	Short destination, Long source
10	1	11	BC1	C,D	2 2 0 8	Short destination (xxxx FFFF), Long source (PID compression)
10	1	11	UNI	C,D	2 2 0 8	Short destination, Long source (PID compression)

MRF24XA

TABLE 5-8: IEEE 802.15.4™ TEST CASES: VALID ADDRESSING FORMATS (CONTINUED)

DA	PID COMP	SA	DEST ⁽²⁾	TYPES ⁽³⁾	Field Sizes in Octets ⁽⁴⁾	Description ⁽⁵⁾
10	1	11	NOTME	C,D	2 2 0 8	Short destination, Long source (PID compression)
11	0	10	UNI	C,D	2 8 2 2	Long destination, Short source
11	0	10	NOTME	C,D	2 8 2 2	Long destination, Short source
11	1	10	UNI	C,D	2 8 0 2	Long destination, Short source (PID compression)
11	1	10	NOTME	C,D	2 8 0 2	Long destination, Short source (PID compression)
11	0	11	UNI	C,D	2 8 2 8	Long destination, Long source
11	0	11	NOTME	C,D	2 8 2 8	Long destination, Long source
11	1	11	UNI	C,D	2 8 0 8	Long destination, Long source (PID compression)
11	1	11	NOTME	C,D	2 8 0 8	Long destination, Long source (PID compression)

- Note 1:** The standard requires 0 in the cases marked by (1); yet, 1 is handled as 0 in such cases by the device parser (without erroring out).
- 2:** 'BC1'- Broadcast addr, 'BC2'- Broadcast pid, 'BC3'- Broadcast no daddr, 'UNI'- Unicast to this node, 'UNI2'- Unicast to this node when no destination address is present, 'NOTME'- Unicast to different node, 'NOTME2'- Unicast to different node when no destination address is present.
- 3: Frame Types Legend:** 'A'-acknowledge, 'B'-beacon, 'C'-command, 'D'-data.
- 4:** DESTPID | DESTADDR | SRCPID | SRCADDR.
- 5:** In the descriptions, 'xxxx' represents a 4-digit hexa number different from 'FFFF'.

5.3 Security Material

The security material required for CBC-MAC, CTR, and CCM are the inputs configured to the registers as listed in [Table 5-10](#).

- SECSUITE<3:0> selects the security suite consisting of encryption or authentication, or both, see [Table 5-9](#).
- SECHDRINDX<6:0> is the byte index where authentication must start.
- SECPAYINDX<6:0> is the byte index where encryption/decryption must start.
- SECENDINDX<6:0> points at the last byte of the payload (before MIC and FCS).
- SECKEY<127:0> holds the symmetric Key.
- SECNONCE<103:0> holds a Nonce value that is unique for each frame while a specific Key is in use. This ensures sequence freshness (for protection against repeat-attack) and protects the key from being deciphered based on the encoded messages. The transmitter generates the information required to generate the Nonce and then sends to the Receiver as plain text as part of the frame.

Section 5.4 “Security Material Retrieval with IEEE 802.15.4 Compliant Frames”

describes how the security level is selected and whether the device or software fills out the above registers before the security operation is launched. DEVICE/HOST fills in these registers and the Authentication appends a MIC tag to the frame (before FCS is appended), after the position pointed at by SECENDINDX. Encryption/ decryption alters the “payload” stored in the buffer from SECPAYINDX through SECENDINDX. The range defined for “Payload” does not necessarily coincide with the MAC payload as explained in the sequel.

[Figure 5-2](#) to [Figure 5-9](#) illustrate the order of all the security operations, which is valid for both 2003/2006 Compliant Framing modes.

TABLE 5-9: SECURITY LEVEL: MODE OF OPERATION

Security Level ⁽¹⁾	Payload	MIC Tag of Octets	Comment
0000	Plain text	No Authentication	—
0001	Plain text	4 bytes	CCM operation. Only defined in 2006.
0010	Plain text	8 bytes	CCM operation. Only defined in 2006.
0011	Plain text	16 bytes	CCM operation. Only defined in 2006.

TABLE 5-9: SECURITY LEVEL: MODE OF OPERATION (CONTINUED)

Security Level ⁽¹⁾	Payload	MIC Tag of Octets	Comment
0100	Encrypted	No Authentication	CCM operation. Only defined in 2006.
0101	Encrypted	4 bytes	CCM operation. Only defined in 2003/2006.
0110	Encrypted	8 bytes	CCM operation. Only defined in 2003/2006.
0111	Encrypted	16 bytes	CCM operation. Only defined in 2003/2006.
1000	Encrypted	No Authentication	ECB operation. Not defined in 2003/2006 (only encryption)
1001	Encrypted	No Authentication	CTR operation. Only defined in 2003.
1010	Reserved	—	—
1011	Reserved	—	—
1100	Reserved	—	—
1101	Plain text	16 bytes	CBC-MAC operation. Only defined in 2003.
1110	Plain text	8 bytes	CBC-MAC operation. Only defined in 2003.
1111	Plain text	4 bytes	CBC-MAC operation. Only defined in 2003.

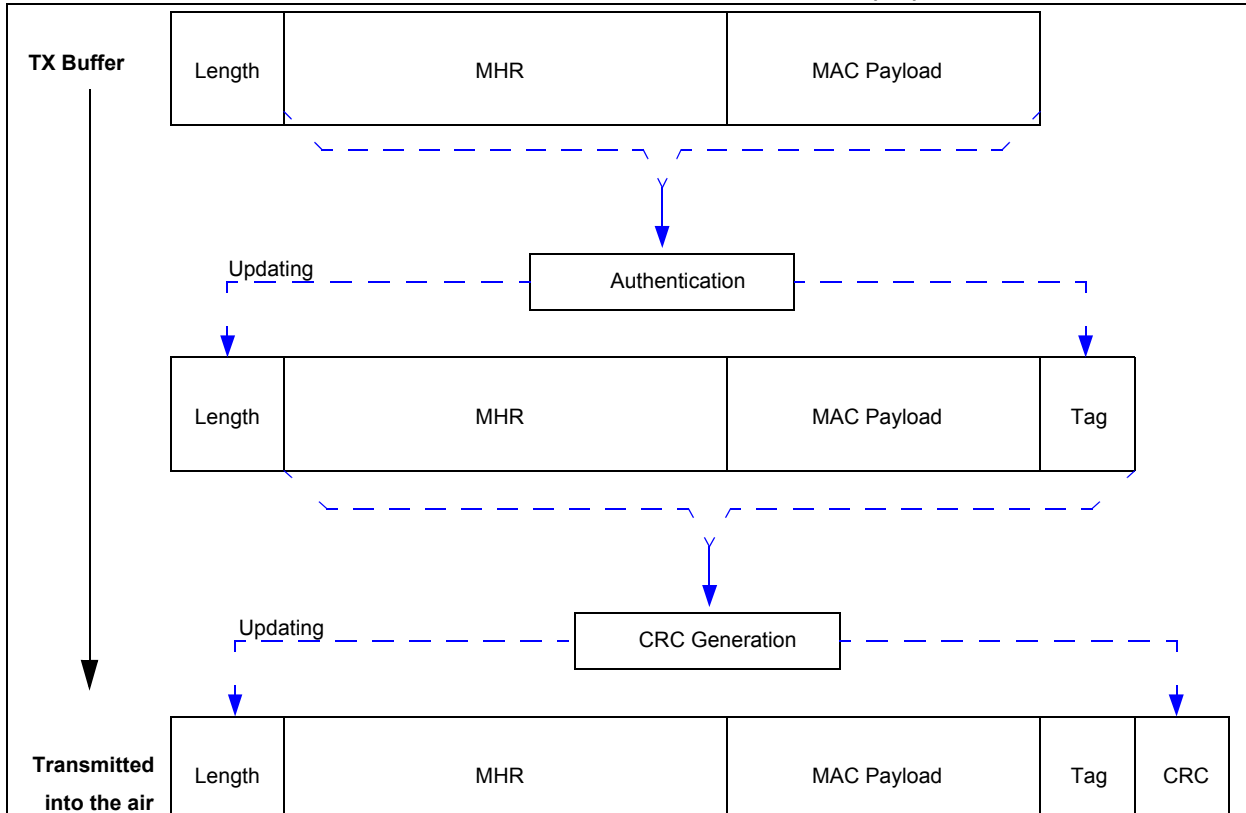
Note 1: In 2006 compliant framing, the security level is traveling with the frame, while in 2003 it must be set globally.

TABLE 5-10: SECURITY MATERIAL INPUTS TO CBC-MAC, CTR AND CCM

ADDR.	REGISTER	Bit 7	Bit 6	Bit 5	Bit 4	Bit 3	Bit 2	Bit 1	Bit 0
0x10	MACCON1	TRXMODE<1:0>		ADDRSZ<2:0>			CRCSZ	FRMFMT	SECFLAGOVR
0x11	MACCON2	CHANNEL<3:0>				SECSUITE<3:0>			
0x2B	SECHDRINDX	SECHDRINDX<6:0>							
0x2C	SECPAYINDX	SECPAYINDX<6:0>							
0x2D	SECENDINDX	SECENDINDX<6:0>							
0x40 through 0x4F	SECKEY1	SECKEY<7:0>							
	<2,3,4...,15>	...							
	SECKEY16	SECKEY<127:120>							
0x50 through 0x5C	SECNONCE1	SECNONCE<7:0>							
	<2,3,4...,12>	...							
	SECNONCE13	SECNONCE<103:96>							
0x5D	SECENCFLAG	SECENCFLAG<7:0>							
0x5E	SECAUTHFLAG	SECAUTHFLAG<7:0>							

MRF24XA

FIGURE 5-5: CCM*/CBC-MAC AUTHENTICATION OPERATION (TX)



Exception Handling:

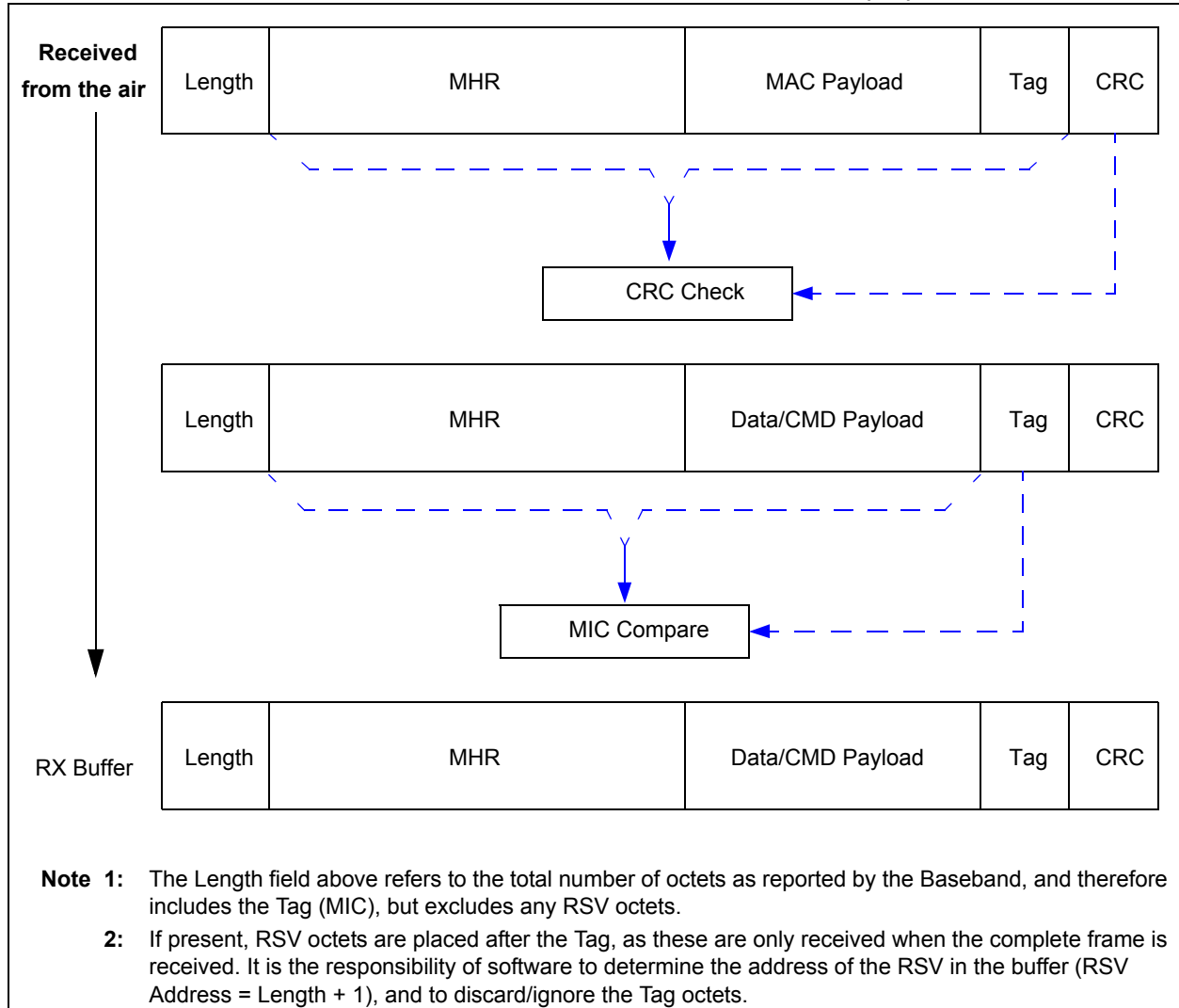
TXSZIF: Transmit Packet Size Error Interrupt Flag

TXST is set when the packet size (including MIC tags and CRC) is found to be zero or to be greater than the maximum size that the buffers can support.

FRMIF: Frame Format Error Interrupt Flag

Set if the transmitter/receiver fails to parse the frame in the buffer (it is not as it must be or it is corrupted in demodulation). For example, reserved values are found in the MAC header fields.

FIGURE 5-6: CCM*/CBC-MAC DE-AUTHENTICATION OPERATION (RX)^(1, 2)



MRF24XA

FIGURE 5-7: CCM*/CTR/ECB ENCRYPTION OPERATION (TX)

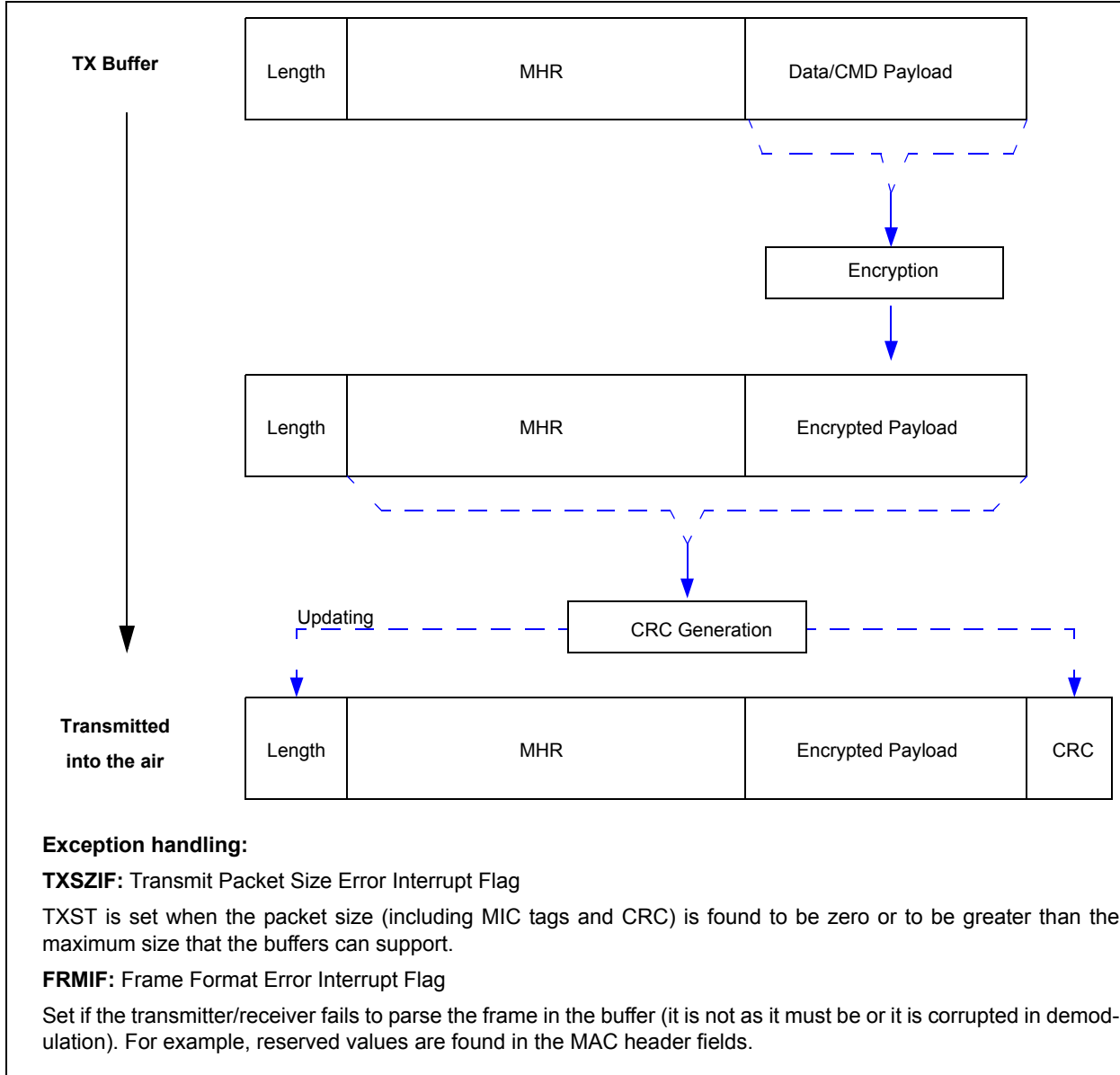
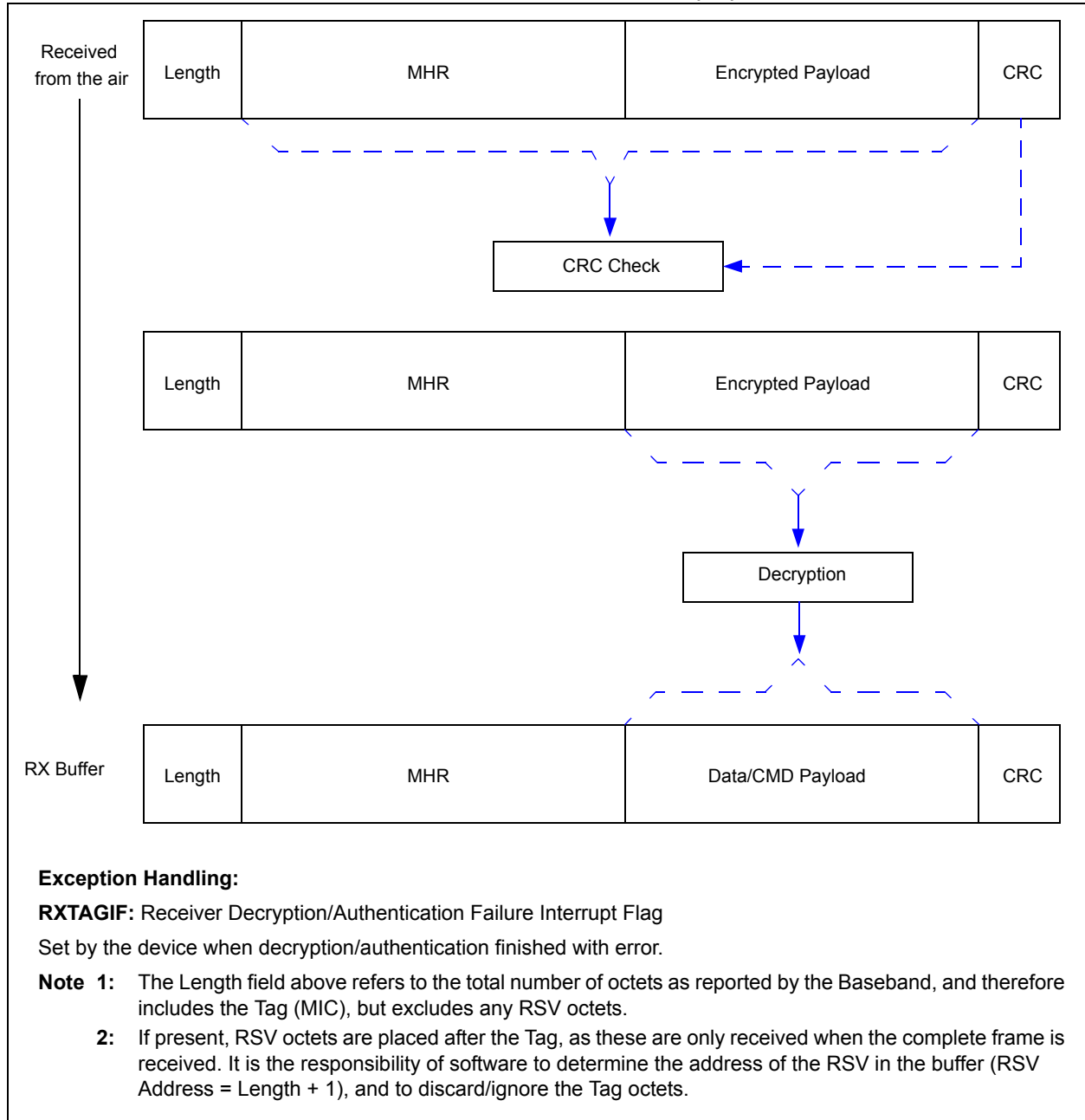
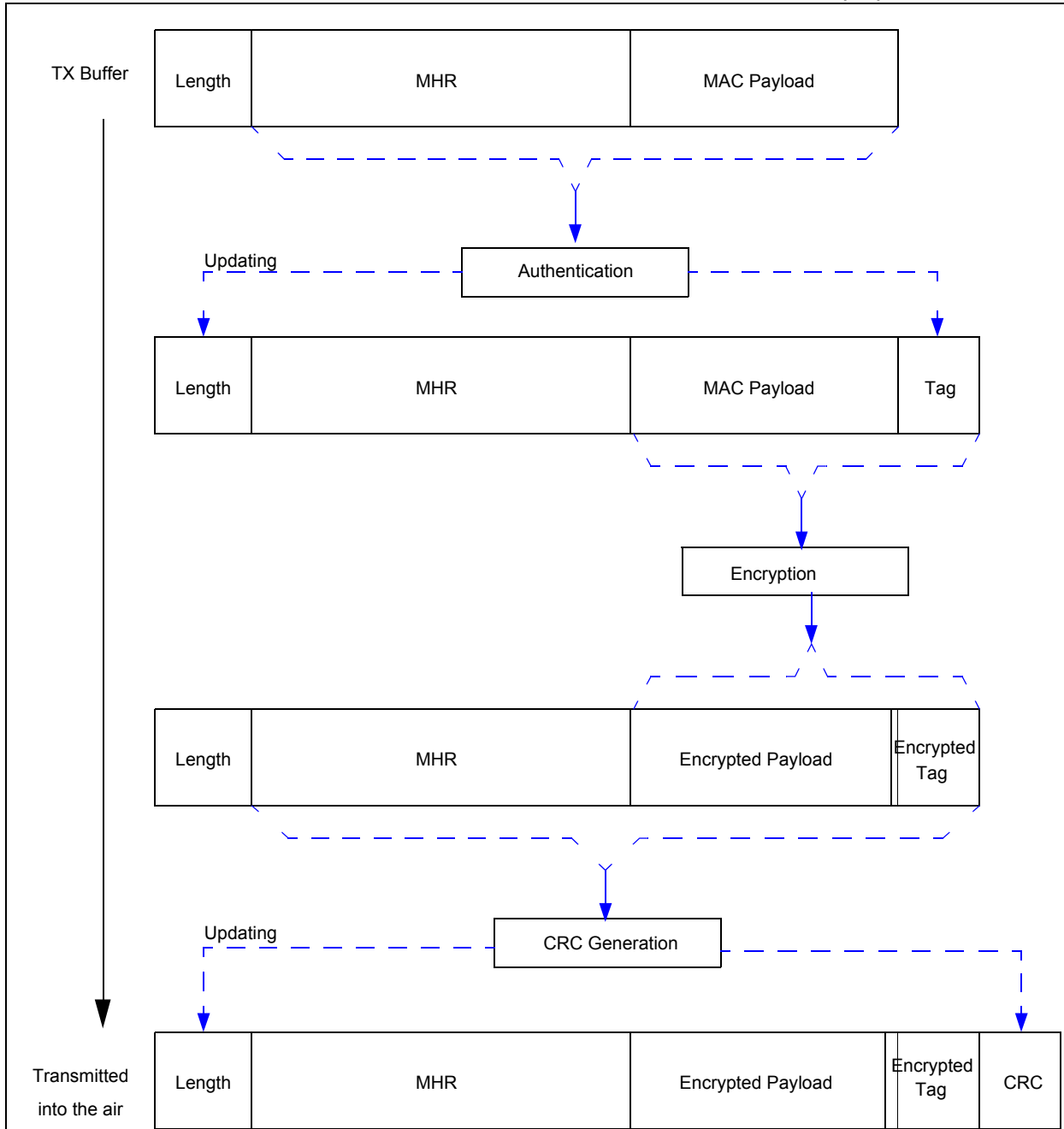


FIGURE 5-8: CCM*/CTR/ECB DECRYPTION OPERATION (TX)^(1, 2)



MRF24XA

FIGURE 5-9: CCM* ENCRYPTION AND AUTHENTICATION OPERATION (TX)



Exception handling:

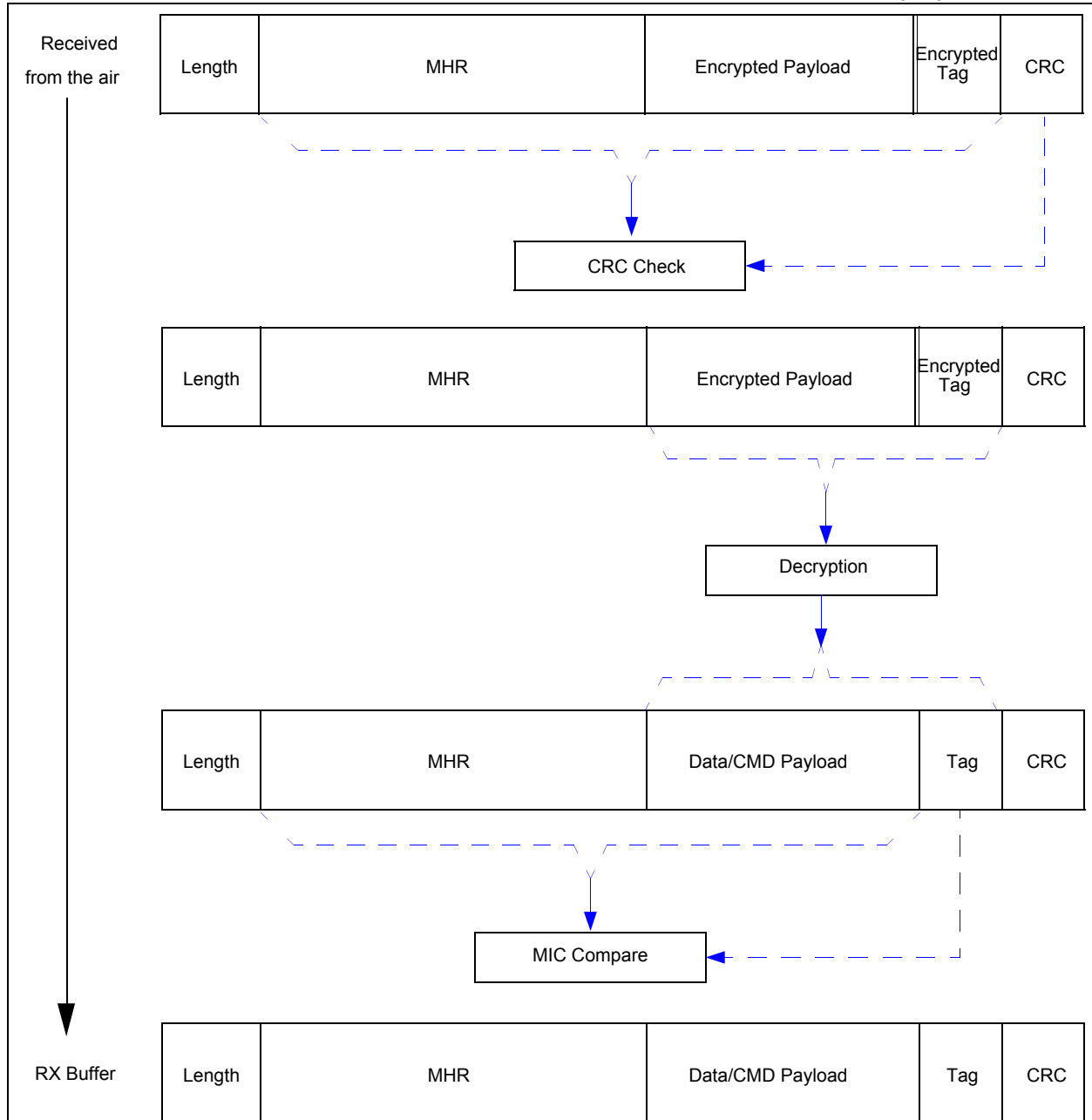
TXSZIF: Transmit Packet Size Error Interrupt Flag

TXST is set when the packet size (including MIC tags and CRC) is found to be zero or to be greater than the maximum size that the buffers can support.

FRMIF: Frame Format Error Interrupt Flag

Set if the transmitter/receiver fails to parse the frame in the buffer (it is not as it must be or it is corrupted in demodulation). For example, reserved values are found in the MAC header fields.

FIGURE 5-10: CCM* DECRYPTION AND DE-AUTHENTICATION OPERATION (RX)^(1, 2, 3)



Exception Handling:

RXTAGIF: Receiver Decryption/Authentication Failure Interrupt Flag

Set by the device when decryption/authentication finished with error.

- Note 1:** The Length field above refers to the total number of octets as reported by the Baseband, and therefore includes the Tag (MIC), but excludes any RSV octets.
- 2:** If present, RSV octets are placed after the Tag, as these are only received when the complete frame is received. It is the responsibility of software to determine the address of the RSV in the buffer (RSV Address = Length + 1), and to discard/ignore the Tag octets.
- 3:** The Message and Tag decryption operations do not depend on each other, and may be computed in any order. All other factors being equal, the Tag decryption operation must be performed first, as it uses the starting counter value.

5.4 Security Material Retrieval with IEEE 802.15.4 Compliant Frames

This section explains how the security material, see **Section 5.3 “Security Material”**, is retrieved when the MAC frame is formatted to the IEEE 802.15.4 specification (either FRMFMT = 0 or “bridging”) and security is applied either at the MAC layer or at the NWK layer, or both.

Table 5-10 indicates the relevant Configuration registers (SECSUITE<3:0>). **Figure 5-11** represents the relevant security fields (SecEn, SecLvl<2:0>, FrameVer<1:0>, FrameCnt, KeyIDMode, KeySrc, KeyIndex).

The IEEE 802.15.4 standard enables five different security scenarios. The difference among these scenarios are shown in **Table 5-13**. If SecEn = 1, then the MAC layer security is enabled. In case NWK layer security is also enabled, then it is calculated before MAC layer security.

MAC layer security material retrieval differs in the 2006 and the 2003 versions of the standard. Distinction is possible based on the FrameVer<1:0> field. The device does not support the Security Material retrieval for Beacon frames. The Type<2:0> field distinguishes the Beacon frames.

KeyIDMode, KeySrc, KeyIndex in the AuxSecHdr are done by software for the retrieval of the MAC layer Symmetric Key, the details are out of scope.

If 2006-MAC layer security is applied, use the FrameCnt, SecLvl, and 8-byte source address to construct the Nonce, see **Figure 5-12**. If 2003 MAC layer security is applied, use the FrameCnt, KeySeqCnt, and source address to construct the Nonce field, see **Figure 5-13**. When the frame contains a short source address, the device cannot set the Nonce correctly. Similarly, if the frame is of Type = Beacon, then the SECPAYINDX is set incorrectly. In these cases, the registers must be configured from software. On the RX side, this is easily done before launching the security processing (RXDEC = 1). On the TX-side, set DTSM to prevent the device from overwriting the Nonce and Indexes that the software configures.

Only the MAC layer security contains specific indexes as the Network layer security configures the software:

In MAC layer security, SECHDRINDX is always the first byte of the MHR.

In MAC layer security applied for frames of type Data and Streaming, SECPAYINDX is the first byte of the payload. For Command frames, SECPAYINDX is the second byte of the payload. SECPAYINDX can take different values for Beacon frames, which the software must always specify.

REGISTER 5-3: SECHDRINDX (SECURITY HEADER INDEX REGISTER) ADDRESS: 0x2B

R-0	RW/HS-0000000
r	SECHDRINDX<6:0>
bit 7	bit 0

Legend: R = Readable bit W = Writable bit U = Unimplemented bit, read as '0'
 -n = Value at POR '1' = Bit is set '0' = Bit is cleared x = Bit is unknown
 r = Reserved HS = Hardware Set

bit 7 **Reserved:** Maintain as '0'

bit 6-0 **SECHDRINDX<6:0>:** Security Header Index bits

This field defines the portion of the header which performs the authentication operations.

For MAC layer security, SECHDRINDX<6:0> is defined as the address offset of the MAC header from the beginning of the frame, as stored in the buffer (0 = Length field, 1 = FrameCtrl field, and so on), and is automatically loaded for both 802.15.4 and Proprietary frames.

For Network layer security, SECHDRINDX<6:0> is defined as the address offset of the Network Header from the beginning of the MAC Payload, and the Host Controller loads it only for 802.15.4 frames. Note that for Proprietary frames, the MAC automatically loads it⁽¹⁾.

Note 1: The setting DTSM in TX mode disables automatic computation of this field.

REGISTER 5-4: SECPAYINDX (SECURITY PAYLOAD INDEX REGISTER) ADDRESS: 0x2C

R-0	RW/HS-0000000
r	SECPAYINDX<6:0>
bit 7	bit 0

Legend: R = Readable bit W = Writable bit U = Unimplemented bit, read as '0'
 -n = Value at POR '1' = Bit is set '0' = Bit is cleared x = Bit is unknown
 r = Reserved HS = Hardware Set

bit 7 **Reserved:** Maintain as '0'

bit 6-0 **SECPAYINDX<6:0>:** Security Payload Index bits

This field defines the portion of the payload which performs the Encryption/Decryption operations.

For MAC layer security, SECPAYINDX<6:0> is defined as the address offset of the MAC Payload from the beginning of the frame, as stored in the buffer (0 = Length field, 1 = FrameCtrl field, and so on), and is automatically loaded for both 802.15.4 and Proprietary frames.

For Network layer security, SECPAYINDX<6:0> is defined as the address offset of the Network Header from the beginning of the MAC Payload, and the Host Controller loads it only for 802.15.4 frames. Note that for Proprietary frames, the MAC automatically loads it⁽¹⁾.

Note 1: The setting DTSM in TX mode disables automatic computation of this field.

MRF24XA

REGISTER 5-5: SECENDINDX (SECURITY END INDEX REGISTER)

ADDRESS: 0x2D

R-0	RW/HS-0000000
r	SECENDINDX<6:0>
bit 7	bit 0

Legend: R = Readable bit W = Writable bit U = Unimplemented bit, read as '0'
-n = Value at POR '1' = Bit is set '0' = Bit is cleared x = Bit is unknown
r = Reserved HS = Hardware Set

bit 7 **Reserved:** Maintain as '0'

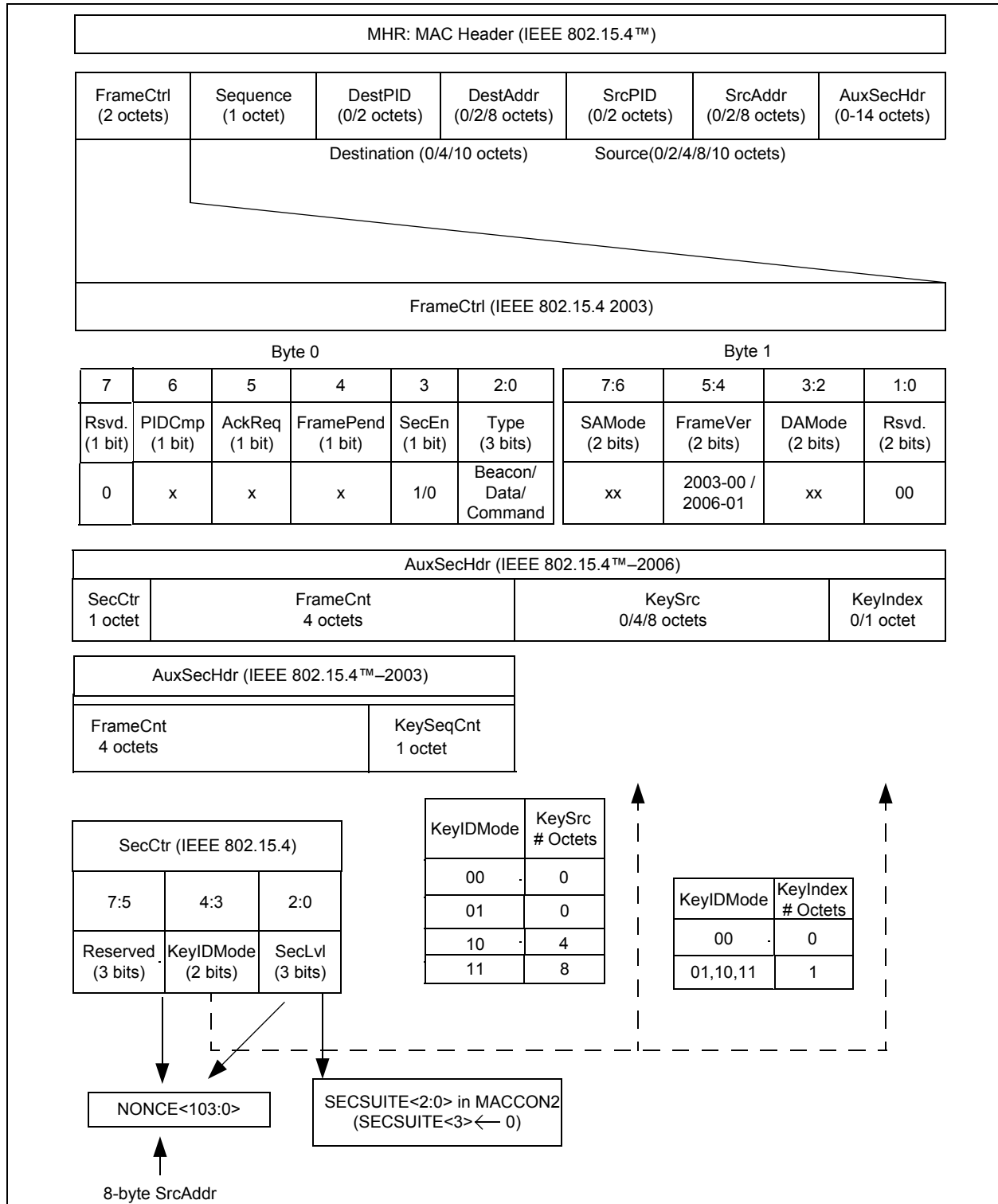
bit 6-0 **SECENDINDX<6:0>:** Security End Index bits

This field defines the end of the payload which performs the security operations⁽¹⁾.

Note 1: The setting DTSM in TX mode disables automatic computation of this field.

Figure 5-11 illustrates the construction of the Nonce in 802.15.4-mode.

FIGURE 5-11: IEEE.802.15.4™ SECURITY CONTROL FIELDS



MRF24XA

FIGURE 5-12: 802.15.4 CCM NONCE (ONLY MAC LAYER SECURITY)-2006

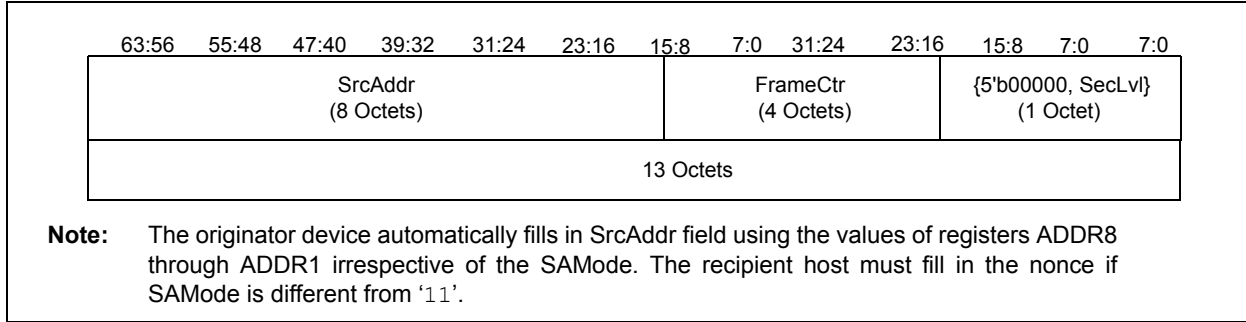
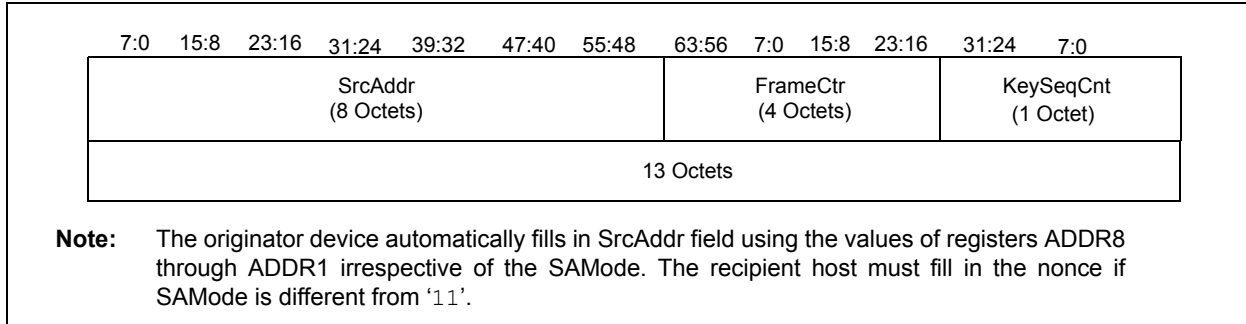


FIGURE 5-13: 802.15.4 CCM NONCE (ONLY MAC LAYER SECURITY)-2003

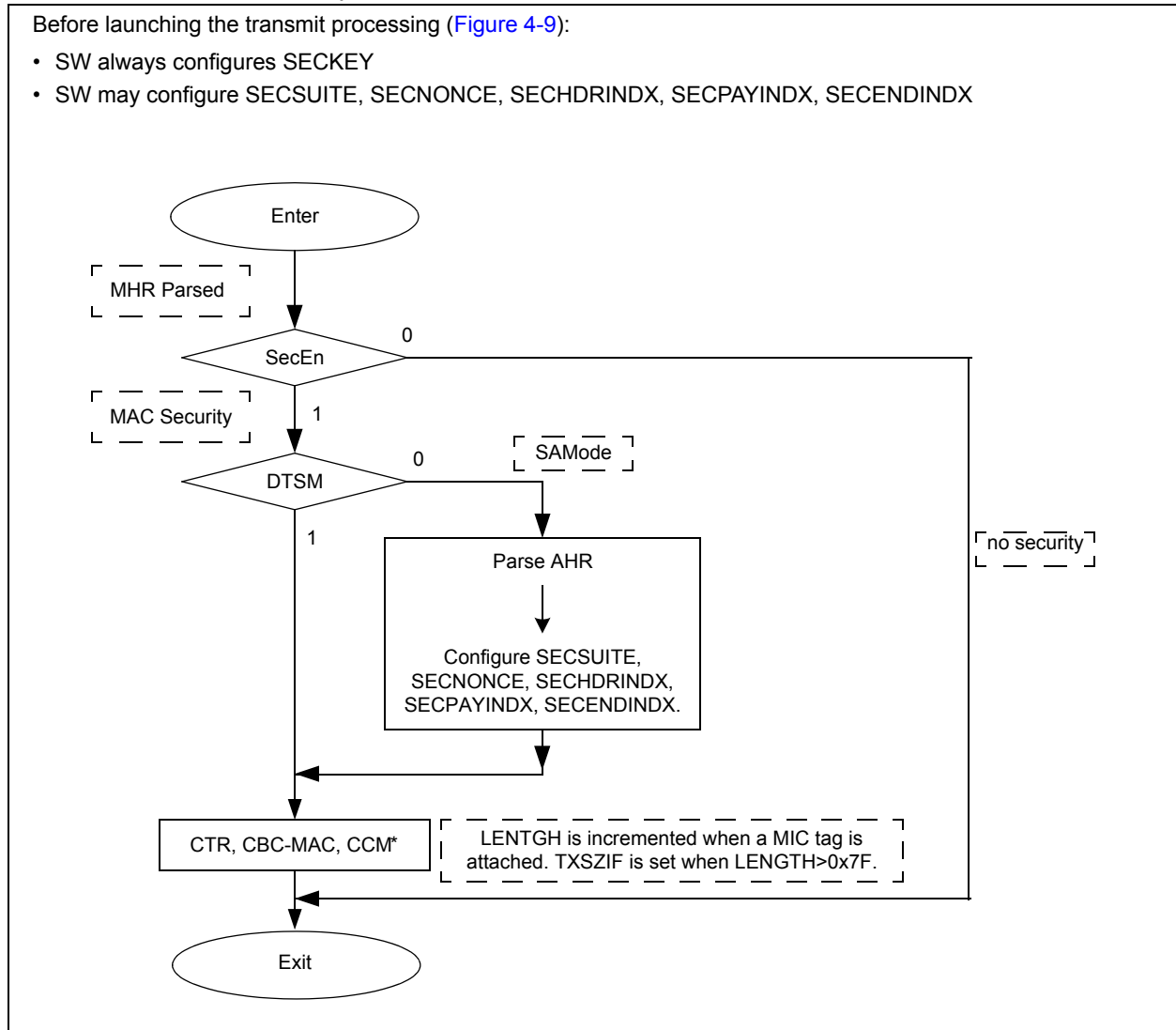


5.5 Transmit Security Processing of IEEE 802.15.4 Compliant Frames

Setting TXST triggers automatic MAC layer security processing and frame sending as an uninterrupted sequence, see Figure 5-14. (network layer) which is triggered by TXENC is applied, where TXENCIF must be awaited before other operation.

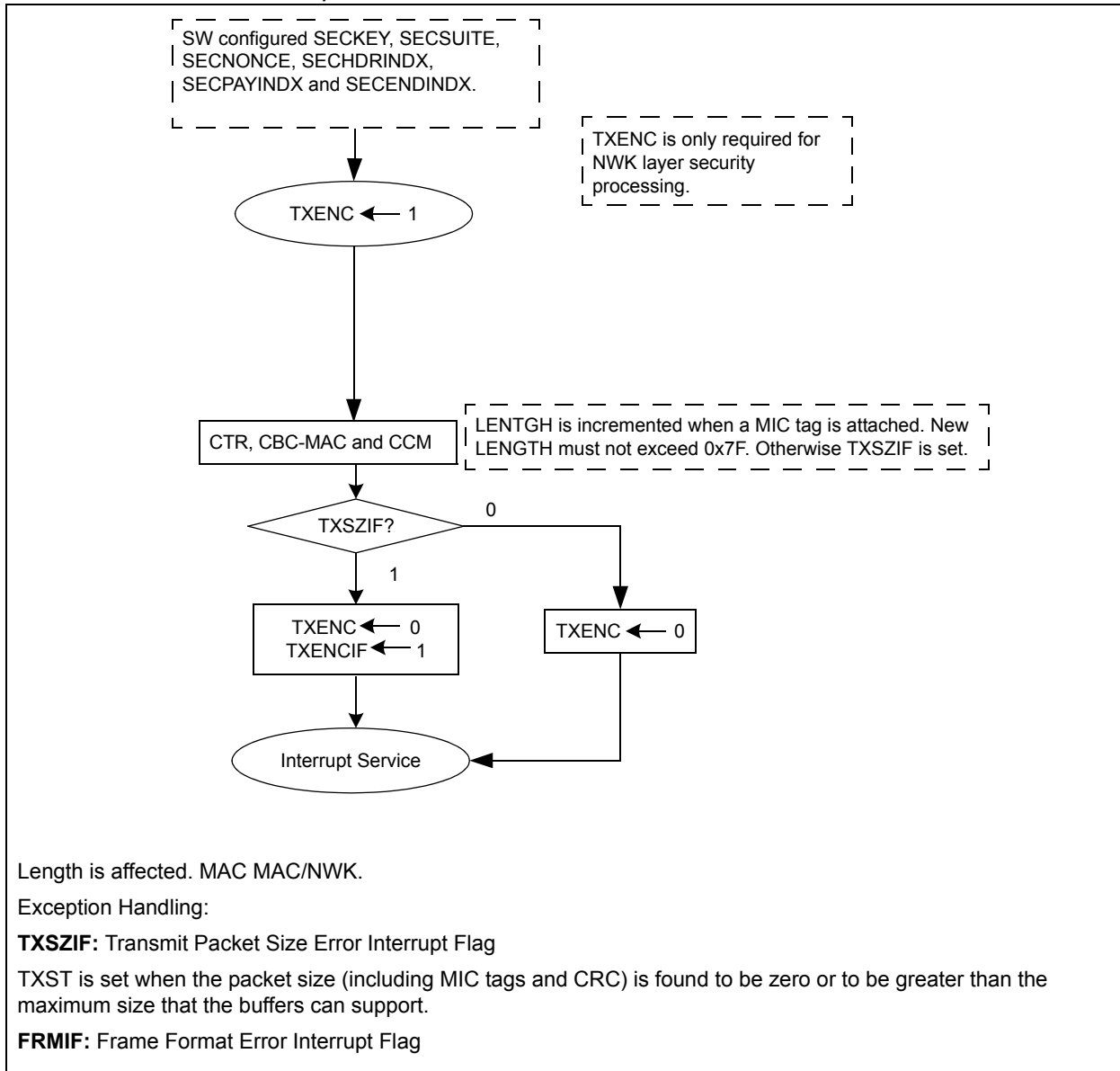
BUF1TXPP, BUF2TXPP, TXENC, and TXST can trigger security functions as shown in Figure 5-12 and Figure 5-14, where BUF1TXPP and BUF2TXPP are both used for debug. The respective interrupts are generated on completion and the device automatically clears the aforementioned triggering bits. In Figure 5-12, the device shows the conditions for security material retrieval and the operation of the DTSM bit.

FIGURE 5-14: TRANSMIT SECURITY PROCESSING WHEN FRMFMT = 0 (IEEE 802.15.4™ FORMAT)



MRF24XA

FIGURE 5-15: TRANSMITTER TXENC PROCESSING WHEN FRMFMT = 0 (IEEE 802.15.4™ FORMAT)

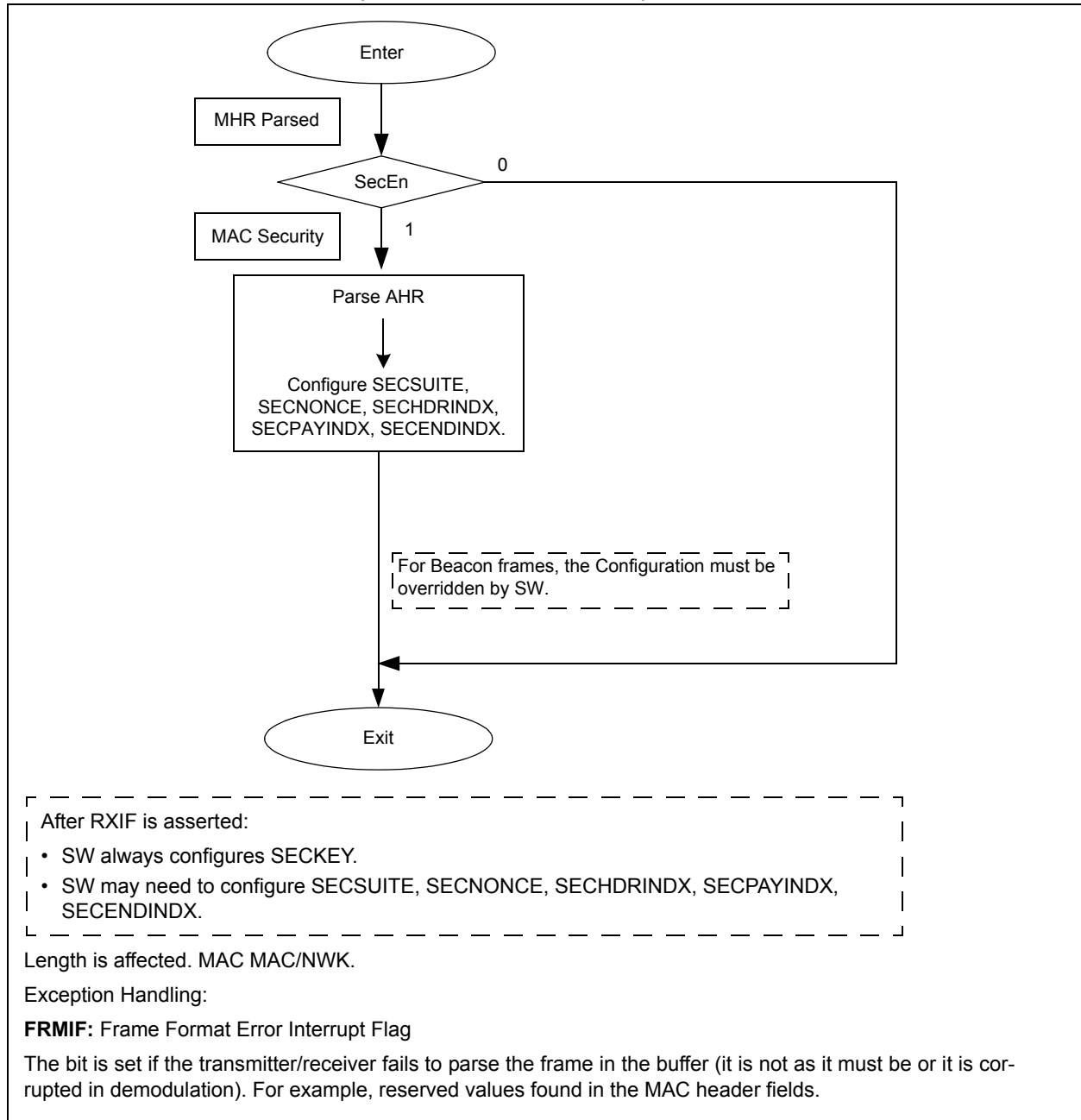


5.6 Security Processing of Received IEEE 802.15.4 Compliant Frames

Receive security is always performed when RXDEC is set and awaits RXDECIF or RXTAGIF as it is not automatically triggered. If both MAC and NWK layer security are applied, then both must be processed in this order when RXDEC is set for a second time after updating the security material correctly.

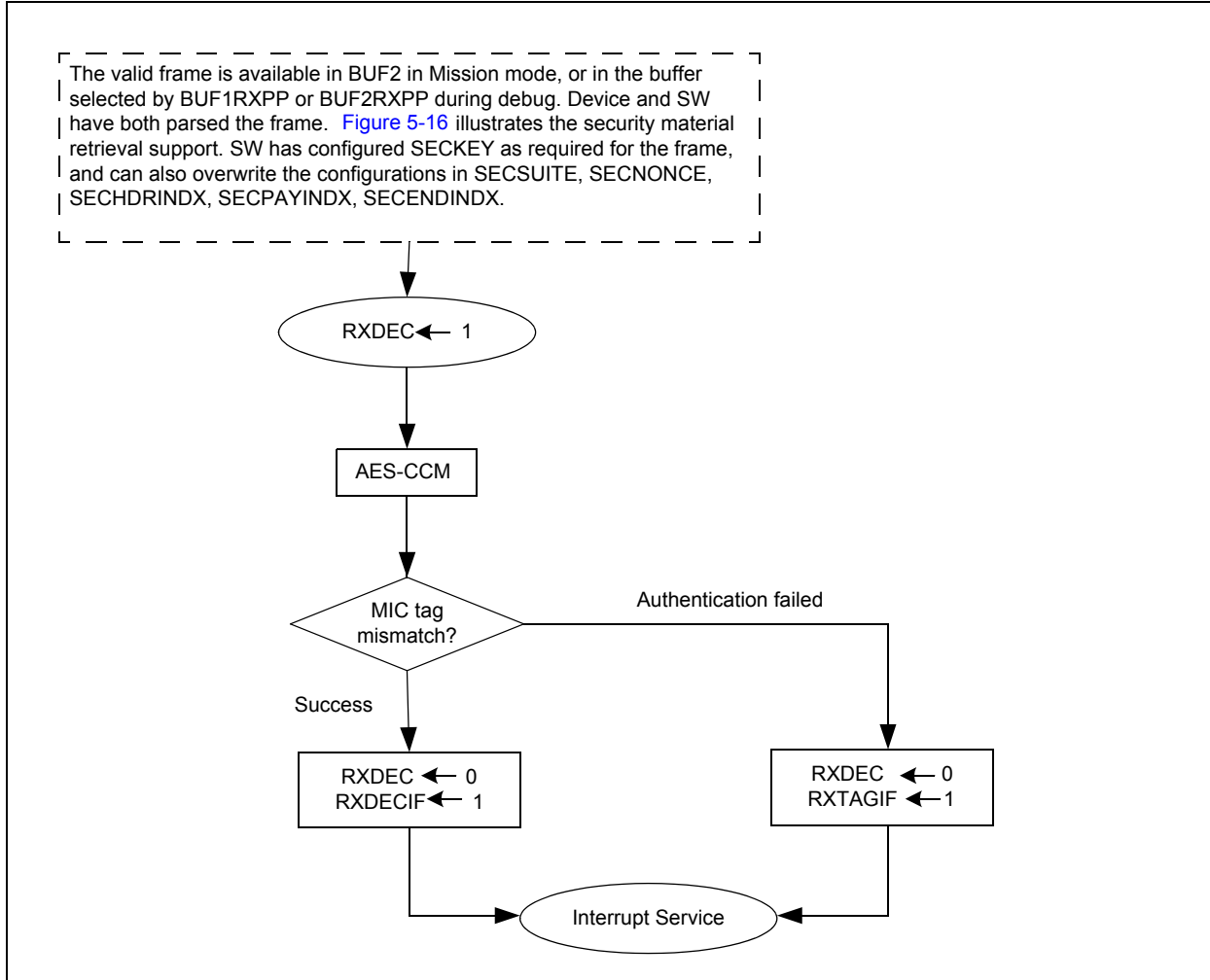
Figure 5-17 shows the security functions triggered by RXDEC. The device automatically clears the respective interrupts generated on completion and RXDEC.

FIGURE 5-16: SECURITY MATERIAL RETRIEVAL SUPPORT IN RECEIVE PROCESSING WHEN FRMFMT = 0 (IEEE 802.15.4™ FORMAT)



MRF24XA

FIGURE 5-17: RECEIVER RXDEC PROCESSING WHEN FRMFMT = 0 (IEEE 802.15.4™-MODE)



5.7 Security Procedure for IEEE 802.15.4 Compliant Frames

For more information about the frame format, refer to [Table 5-12](#) through [Table 5-14](#) and [Figure 5-3](#).

TABLE 5-11: RELEVANT REGISTER BITS FOR SECURITY CONTROL WITH IEEE 802.15.4™ FRAMES

Name	Bit 7	Bit 6	Bit 5	Bit 4	Bit 3	Bit 2	Bit 1	Bit 0
MACCON1	TRXMODE<1:0>		ADDRSZ<2:0>			CRCSZ	FRMFMT	SECFLAGOVR

Legend: r = Reserved, read as '0'.

TABLE 5-12: DEFINITION OF SECURITY SUPPORT CATEGORIES (IEEE 802.15.4™ FRAMES)

Security Support Category	SecEn	FrameVer <1:0>	Type<2:0> (and SAMode)	Description
0	0	0x	Data/CMD/Beacon/ACK	No security
A	1	0x	Data/CMD	2003/2006 MAC layer security
B	1	0x	Beacon	2003/2006 MAC layer secured beacon
C	0	0x	Data/(CMD)/Beacon	NWK layer security
D	1	0x	Data/CMD	NWK + 2003/2006 MAC layer security
E	1	0x	Beacon	NWK + 2003/2006 MAC layer security for Beacon frames

MRF24XA

TABLE 5-13: SECURED FRAME TRANSMISSION (IEEE 802.15.4™ MAC FORMAT)

#	Processing Step	Steps per each Security Case				
		A	B	C	D	E
1	Host MCU constructs the frame and loads the buffer.	SecEn = 1 FrameVer = 0x (either)	SecEn = 1 FrameVe = 0x (either)	SecEn = 0 FrameVer = 0x (either)	SecEn = 1 FrameVer = 0x (either)	SecEn = 1 FrameVer = 0x (either)
2	For NWK security processing, Host MCU configures:	No NWK layer security.		SECKEY SECSUITE SEC*INDX ⁽¹⁾ NONCE	SECKEY SECSUITE SEC*INDX NONCE	SECKEY SECSUITE SEC*INDX NONCE
3	Host MCU triggers security processing without sending.			TXENC ← 1	TXENC ← 1	TXENC ← 1
4	Device performs the security processing for NWK layer if TXENC is set. LENGTH and SECENDINDX are updated if MIC tag is appended. TXSZIF if size run over 127 bytes.			NWK layer security LENGTH, SECENDINDX	NWK layer security LENGTH, SECENDINDX	NWK layer security LENGTH, SECENDINDX
5	Host MCU awaits TXENCIF interrupt, indicating completion. Device clears TXENC.	TXENCIF ← 1 TXENC ← 0	TXENCIF ← 1 TXENC ← 0	TXENCIF ← 1 TXENC ← 0	TXENCIF ← 1 TXENC ← 0	
6	For MAC security processing, Host MCU configures:	SECKEY (+NONCE, if SAMode is not 11) (+SECSUITE, if FRAMEVER=2003)	SECKEY SECSUITE SEC*INDX NONCE	No MAC security	SECKEY (+NONCE, if SAMode is not 11) (+SECSUITE, if FRAMEVER=2003)	SECKEY SECSUITE SEC*INDX NONCE
7	Host MCU sets DTSM to inhibit the hardware from overwriting just configured SECSUITE, SEC*INDX and NONCE registers.	DTSM = 0 (=1, if SAMode is not 11)	DTSM = 1	DTSM = x	DTSM = 0 (=1, if SAMode is not 11)	DTSM = 1
8	Host MCU triggers Security processing and sending.	TXST ← 1	TXST ← 1	TXST ← 1	TXST ← 1	TXST ← 1
9	If SecEn = 1 and DTSM = 0, then the device configures the SECSUITE, SEC*INDX and NONCE registers.	SECSUITE SEC*INDX NONCE	—	—	SECSUITE SEC*INDX NONCE	—
10	Device performs the security processing for MAC layer: LENGTH is adjusted if MIC tag is appended. TXSZIF if size runs over 127 bytes.	MAC layer security LENGTH, if MIC added	MAC layer security LENGTH, if MIC added	—	MAC layer security LENGTH, if MIC added	MAC layer security LENGTH, if MIC added
11	LENGTH is adjusted as CRC is appended (if CRCSZ = 1). TXSZIF if size runs over 127 bytes.	LENGTH, CRC				
12	Frame is sent.	TXIF (if no TXSZIF or FRMIF) TXST ← 0				

Note 1: SEC*INDX denotes SECHDRINDX, SECPAYINDX and SECENDINDX.

TABLE 5-14: SECURED FRAME RECEPTION (IEEE 802.15.4™ MAC FORMAT)

#	Processing Step	Steps per each security case				
		A	B	C	D	E
-2	Device parses the SecEn bit in the FrameCtrl.	SecEn = 1	SecEn = 1	SecEn = 0	SecEn = 1	SecEn = 1
-1	For MAC security processing, the device configures (correctly or incorrectly) the following:	SECSUITE SEC*INDX NONCE	incorrect Configuration	No MAC layer security	SECSUITE SEC*INDX NONCE	incorrect Configuration
0	Valid frame received on air and accepted by RXFILTER.	RXIF = 1, RXBUFFUL = 1, (RXSFDIF = 1)				
1	Host MCU has the opportunity to check the SecEn, FrameVer and SAMode bits in the MAC header.	FrameVer = 0x (either)	FrameVer = 0x (either)	FrameVer = 0x (either)	FrameVer = 0x (either)	FrameVer = 0x (either)
2	For MAC security processing, the Host MCU must load the following:	SECKEY (+NONCE if SAMode is not 11)	SECKEY SECSUITE SEC*INDX NONCE	No MAC layer Security	SECKEY (+NONCE if SAMode is not 11)	SECKEY SECSUITE SEC*INDX NONCE
3	Host MCU starts MAC security processing by setting RXDEC.	RXDEC ← 1	RXDEC ← 1		RXDEC ← 1	RXDEC ← 1
4	Device performs MAC layer security processing as illustrated in Figure 5-4 through Figure 5-9 .	MAC layer	MAC layer		MAC layer	MAC layer
5	If Authentication fails then RXTAGIF is generated. Otherwise, the security operation is successful and RXDECIF is generated.	RXDECIF (or RXTAGIF)	RXDECIF (or RXTAGIF)		RXDECIF (or RXTAGIF)	RXDECIF (or RXTAGIF)
6	SW examines RXTAGIF, if set, SW aborts further processing and frees the buffer by clearing RXBUFFUL..	RXTAGIF ← 1	RXTAGIF ← 1		RXTAGIF ← 1	RXTAGIF ← 1
7	For NWK security processing, the Host MCU must load the following:	No NWK layer security		SECKEY SECSUITE SEC*INDX NONCE	SECKEY SEC- SUITE SEC*INDX NONCE	SECKEY SEC- SUITE SEC*INDX NONCE
8	Host MCU starts NWK security processing by setting RXDEC.			RXDEC ← 1	RXDEC ← 1	RXDEC ← 1
9	Device performs NWK layer security processing. (No figure)			NWK layer security	NWK layer security	NWK layer security
10	If Authentication fails , RXTAGIF is generated. Otherwise, the security operation is successful and RXDECIF is generated. The device clears RXDEC.			RXDECIF (or RXTAGIF) RXDEC ← 0	RXDECIF (or RXTAGIF) RXDEC ← 0	RXDECIF (or RXTAGIF) RXDEC ← 0
11	SW examines RXTAGIF, if set, SW aborts further processing and frees the buffer by clearing RXBUFFUL.	For the length				
12	SW reads the entire frame from the buffer.	—				
13	SW clears the RXBUFFUL to free the buffer.	—				

MRF24XA

5.8 Security Examples

The following section provides examples for the usage of MRF24XA security.

5.8.1 802.15.4-2006 COMPLIANT FRAME ANNEX C.2.2 (TYPE A)

Configuration:

- Network Configuration: Extended address, PAN Compression, and ACKReq
- Source address: 0xACDE480000000001, where 01 is at address 0x1F
- Destination address: 0xACDE480000000002
- PANID 0x4321, where 21 is at address 0x29
- Payload: 61 62 63 64
- Frame counter: 0x00000005
- Security level: 0x04
- Packet: Data packet.

5.8.1.1 Transmission

For 802.15.4-2006 compliant, follow these transmission flow:

1. Host MCU constructs the frame and loads the buffer:
1E || 69 DC 84 21 43 02 00 00 00 00 48 DE AC 01 00 00 00 00 48 DE AC || 04 05 00 00 00 || 61 62 63 64
2. —
3. —
4. —
5. —
6. Host MCU configures SECKEY.
0xC0C1C2C3C4C5C6C7C8C9CACBCCCD-CECF, where LSB (0xCF) is at address 0x40
7. Host MCU clears DTSM.
8. Host MCU issues TXST.
9. MRF24XA configures:
 - SECSUITE to 0x04
 - SECNONCE to 0xAC-DE480000000010000000504, where MSB (0xAC) is at address 0x5C
 - SECHDRINDX to 0x01
 - SECPAYINDX to 0x1B
 - SECENDINDX to 0x1E.
10. MRF24XA performs CCM* encryption, where 61 62 63 64 is encrypted to D4 3E 02 2B.
11. MRF24XA appends CRC: 0x18E0 .

12. MRF24XA transmits the packet to the medium. MRF24XA is waiting for an ACKnowledge frame. Different IF is received based on the register settings (for example, TX with CSMA). TX Buffer (0x200) content:

```
20 || 69 DC 84 21 43 02 00 00 00 00 48 DE AC 01 00 00 00 00 48 DE AC || 04 05 00 00 00 || D4 3E 02 2B || E0 18
```

5.8.1.2 Reception

1. MRF24XA receives the following packet through the antenna:

```
20 || 69 DC 84 21 43 02 00 00 00 00 48 DE AC 01 00 00 00 00 48 DE AC || 04 05 00 00 00 || D4 3E 02 2B || E0 18
```

2. MRF24XA configures:

- SECSUITE to 0x04
- SECNONCE to 0xAC-DE480000000010000000504, where MSB (0xAC) is at address 0x5C
- SECHDRINDX to 0x01
- SECPAYINDX to 0x1B
- SECENDINDX to 0x1E.

3. MRF24XA asserts RXIF (RXSFDIF):

- Packet accepted by RX filter
- ACK frame: 05 || 02 10 84 || 05 E2 sent to medium (asserts TXSFD, TXMAIF).

4. —

5. Host MCU downloads SECKEY

```
0xC0C1C2C3C4C5C6C7C8C9CACBCCCD-CECF, where LSB (0xCF) is at address 0x40.
```

6. Host MCU issues RXDEC.

7. MRF24XA performs CCM* decryption, D4 3E 02 2B is decrypted to 61 62 63 64.

8. MRF24XA asserts RXDECIF (and IDLEIF).

9. —

10. —

11. —

12. —

13. —

14. —

15. SW read the entire frame from the Rx Buffer (0x300):

```
20 || 69 DC 84 21 43 02 00 00 00 00 48 DE AC 01 00 00 00 00 48 DE AC || 04 05 00 00 00 || 61 62 63 64 || E0 18 || RSVs
```

5.8.2 802.15.4-2006 COMPLIANT FRAME ANNEX C.2.3 (TYPE A)

- Network Configuration: Extended address, ACKReq
- Source address: 0xACDE480000000001, where 01 is at address 0x1F
- Source PANID: 0X4321, where 21 is at address 0x29
- Destination address: 0xACDE480000000002
- Destination PANID: 0xFFFF
- Payload: 01 CE
- Frame counter: 0x00000005
- Security level: 0x06
- Packet: Command packet

5.8.2.1 Transmission

1. Host MCU constructs the frame and loads the buffer:
1E || 2B DC 84 21 43 02 00 00 00 00 48 DE AC FF FF 01 00 00 00 00 48 DE AC || 06 05 00 00 00 || 01 CE
2. —
3. —
4. —
5. —
6. Host MCU configures SECKEY
0xC0C1C2C3C4C5C6C7C8C9CACBCCCD-CECF, where LSB (0xCF) is at address 0x40.
7. Host MCU clears DTSM register.
8. Host MCU issues TXST.
9. MRF24XA configures:
 - SECSUITE to 0x06
 - SECNONCE to 0xAC-DE4800000000010000000504, where MSB (0xAC) is at address 0x5C
 - SECHDRINDX to 0x01
 - SECPAYINDX to 0x1E (remember when Type = CMD, first octet of payload is not encrypted)
 - SECENDINDX to 0x1E.
10. MRF24XA performs CCM* authentication with encryption, where 01 CE is encrypted to 01 D8, and the following MIC tag is attached:
4F DE 52 90 61 F9 C6 F1
11. MRF24XA appends CRC: 0x4FE4.

12. MRF24XA transmits the packet to the medium. MRF24XA is waiting for an ACK frame. Different IF is received based on the register settings (for example, TX with CSMA).

TX Buffer (0x200) content:

28 || 2B DC 84 21 43 02 00 00 00 00 48 DE AC FF FF 01 00 00 00 00 48 DE AC || 06 05 00 00 00 || 01 D8 || 4F DE 52 90 61 F9 C6 F1 || E4 4F

5.8.2.2 Reception

1. MRF24XA receives the following packet through the antenna:
28 || 2B DC 84 21 43 02 00 00 00 00 48 DE AC FF FF 01 00 00 00 00 48 DE AC || 06 05 00 00 00 || 01 D8 || 4F DE 52 90 61 F9 C6 F1 || E4 4F
2. MRF24XA configures:
 - SECSUITE to 0x06
 - SECNONCE to 0xAC-DE4800000000010000000504, where MSB (0xAC) is at address 0x5C
 - SECHDRINDX to 0x01
 - SECPAYINDX to 0x1E
 - SECENDINDX to 0x26.
3. MRF24XA asserts RXIF (RXSFDIF):
 - Packet accepted by RX filter
 - ACK frame: 05 || 02 10 84 || 05 E2 sent to medium (asserts TXSFD, TXMAIF).
4. —
5. Host MCU downloads SECKEY
0xC0C1C2C3C4C5C6C7C8C9CACBCCCD-CECF, where LSB (0xCF) is at address 0x40.
6. Host MCU issues RXDEC.
7. MRF24XA performs CCM* de-authentication and decryption, where the MIC tag is compared against the received one, and 01 D8 is decrypted to 01 CE.
8. MRF24XA asserts RXDECIF (and IDLEIF).
9. —
10. —
11. —
12. —
13. —
14. —
15. SW can read the entire frame from Rx Buffer (0x300):
28 || 2B DC 84 21 43 02 00 00 00 00 48 DE AC FF FF 01 00 00 00 00 48 DE AC || 06 05 00 00 00 || 01 CE || 4F DE 52 90 61 F9 C6 F1 || E4 4F || RSVs

MRF24XA

5.8.3 NWK LAYER SECURITY (TYPE C)

- Network Configuration: Extended address
- Source address: N/A
- Source PANID: N/A
- Destination address: 0x9897969594939291
- Destination PANID: 0xD2D1
- Network header: 41 41
- Network payload: 14 14
- Network security level: 0x06
- Packet: Data packet

5.8.3.1 Transmission

1. Host MCU constructs the frame and loads the buffer:
11 || 01 0C 14 D1 D2 91 92 93 94 95 96 97 98 ||
41 41 14 14
2. Host MCU configures security materials:
 - SECSUITE register to 0x06
 - SECNONCE register to 0xFDFCFB-FAF9F8F7F6F5F4F3F2F1, where MSB (0xFD) is at address 0x5C
 - SECKEY register to 0x0F0E0D0C0B0A0908070605040302010, where LSB (0x00) is at address 0x40
 - SECHDRINDX register to 0x0E
 - SECPAYINDX register to 0x10
 - SECENDINDX register to 0x11.
3. Host MCU issues TXENC.
4. MRF24XA performs CCM* authentication with encryption, where 14 14 is encrypted to 14 DA, and the following MIC tag is attached:
53 99 39 A1 55 C5 D3 F6
5. MRF24XA asserts TXENCIF (and IDLEIF).
6. —
7. —
8. Host MCU issues TXST.
9. —
10. —
11. MRF24XA appends CRC: 0x9BC9.
12. MRF24XA transmits the packet to the medium. Different IF is received based on the register settings (for example, TX with CSMA).
TX Buffer (0x200) content:
1B || 01 0C 14 D1 D2 91 92 93 94 95 96 97 98 ||
41 41 14 DA 53 99 39 A1 55 C5 D3 F6 || C9 9B

5.8.3.2 Reception

1. MRF24XA receives the following packet through the antenna:
1B || 01 0C 14 D1 D2 91 92 93 94 95 96 97 98 ||
41 41 14 DA 53 99 39 A1 55 C5 D3 F6 || C9 9B
2. —
3. MRF24XA asserts RXIF (RXSFDIF): Packet accepted by RX filter.
4. —
5. —
6. —
7. —
8. —
9. —
10. Host MCU configures security materials:
 - SECSUITE to 0x06
 - SECNONCE to 0xFDFCFB-FAF9F8F7F6F5F4F3F2F1, where MSB (0xFD) is at address 0x5C
 - SECKEY to 0x0F0E0D0C0B0A0908070605040302010, where 00 is at address 0x40
 - SECHDRINDX to 0x0E
 - SECPAYINDX to 0x10.
11. Host MCU issues RXDEC.
12. MRF24XA performs CCM* de-authentication and decryption, where the MIC tag is compared against the received one and 14 DA is decrypted to 14 14.
13. MRF24XA asserts RXDECIF (and IDLEIF).
14. —
15. SW can read the entire frame from Rx Buffer (0x300):
1B || 01 0C 14 D1 D2 91 92 93 94 95 96 97 98 ||
41 41 14 14 53 99 39 A1 55 C5 D3 F6 || C9 9B
|| RSVS

5.8.4 802.15.4-2006 COMPLIANT FRAME WITH NWK LAYER SECURITY (TYPE D)

- Network Configuration: Extended address
- Source address: 0x0807060504030201, where LSB (0x01) is at address 0x1F
- Source PANID: 0xC2C1, where LSB (0xC1) is at address 0x29
- Destination address: 0x9897969594939291
- Destination PANID: 0xD2D1
- Network header: 41 41
- Network payload: 14 14
- Network security level: 0x06
- Frame counter: 0x55555555
- Security level: 0x07
- Packet: Command packet

5.8.4.1 Transmission

1. Host MCU constructs the frame and loads the buffer:
20 || 09 DC 14 D1 D2 91 92 93 94 95 96 97 98
C1 C2 01 02 03 04 05 06 07 08 || 07 55 55 55 55
|| 41 41 14 14
2. Host MCU configures security materials for NWK:
 - SECSUITE register to 0x06
 - SECNONCE register to 0xFDFCFB-FAF9F8F7F6F5F4F3F2F1, where MSB (0xFD) is at address 0x5C
 - SECKEY register to 0x0F0E0D0C0B0A0908070605040302010, where LSB (0x00) is at address 0x40
 - SECHDRINDX register to 0x1D
 - SECPAYINDX register to 0x1F
 - SECENDINDX register to 0x20.
3. Host MCU issues TXENC.
4. MRF24XA performs CCM* authentication with encryption, where 41 41 14 14 is encrypted to 41 41 14 DA, and the following MIC tag is attached: 53 99 39 A1 55 C5 D3 F6 MIC-TAG.
5. MRF24XA asserts TXENCIF (and IDLEIF).
6. Host MCU downloads SECKEY 0x0F0E0D0C0B0A09080706050403020100, where LSB (0x00) is at address 0x40.
7. Host MCU clears DTSM register.
8. Host MCU issues TXST.

9. MRF24XA configures:

- SECSUITE to 0x07
- SECNONCE to 0x08070605040302015555555507, where MSB (0x08) is at address 0x5C
- SECHDRINDX to 0x01
- SECPAYINDX to 0x1D
- SECENDINDX to 0x38.

10. MRF24XA performs CCM* authentication with encryption, where 41 41 14 DA 53 99 39 A1 55 C5 D3 F6 is encrypted to C9 87 C6 D8 7F E4 BD A2 A4 00 89 9F, and the following MIC tag is attached:

B4 E6 9C B1 54 7F 9B B3 4089 77 FB 93 34 E2 D6

11. MRF24XA appends CRC: 0x1AA8.
12. MRF24XA transmits the packet to the medium. Different IF is received based on the register settings (for example, TX with CSMA).

TX Buffer (0x200) content:

3A || 09 DC 14 D1 D2 91 92 93 94 95 96 97 98
C1 C2 01 02 03 04 05 06 07 08 || 07 55 55 55 55
|| C9 87 C6 D8 7F E4 BD A2 A4 00 89 9F B4 E6
9C B1 54 7F 9B B3 40 89 77 FB 93 34 E2 D6 ||
A8 1A

5.8.4.2 Reception

1. MRF24XA receives the following packet through the antenna:
3A || 09 DC 14 D1 D2 91 92 93 94 95 96 97 98
C1 C2 01 02 03 04 05 06 07 08 || 07 55 55 55 55
|| C9 87 C6 D8 7F E4 BD A2 A4 00 89 9F B4 E6
9C B1 54 7F 9B B3 40 89 77 FB 93 34 E2 D6 ||
A8 1A
2. MRF24XA configures:
 - SECSUITE to 0x07
 - SECNONCE to 0x08070605040302015555555507, where MSB (0x08) is at address 0x5C
 - SECHDRINDX to 0x01
 - SECPAYINDX to 0x1D
 - SECENDINDX to 0x38.
3. MRF24XA asserts RXIF (RXSFDIF): Packet accepted by RX filter.
4. —
5. Host MCU configures SECKEY 0xC0C1C2C3C4C5C6C7C8C9CACBCCCD-CECF, where LSB (0xCF) is at address 0x40.
6. Host MCU issues RXDEC.
7. MRF24XA performs CCM* de-authentication and decryption, where the MIC tag is compared against the received one, and C9 87 C6 D8 7F E4 BD A2 A4 00 89 9F is decrypted to 41 41 14 DA 53 99 39 A1 55 C5 D3 F6

MRF24XA

8. MRF24XA asserts RXDECIF (and IDLEIF).
9. —
10. Host MCU configures security materials:
 - SECSUITE to 0x06
 - SECNONCE to 0xFDFCFB-FAF9F8F7F6F5F4F3F2F1, where MSB (0xFD) is at address 0x5C
 - SECKEY to 0x0F0E0D0C0B0A0908070605040302010, where LSB (0x00) is at address 0x40
 - SECHDRINDX to 0x1D
 - SECPAYINDX to 0x1F.
11. Host MCU issues RXDEC.
12. MRF24XA performs CCM* de-authentication and decryption, where the MIC tag is compared against the received one, and 14 DA is decrypted to 14 14.
13. MRF24XA asserts RXDECIF (and IDLEIF).
14. —
15. SW can read the entire frame from the RxBuffer (0x300):

3A || 09 DC 14 D1 D2 91 92 93 94 95 96 97 98
C1 C2 01 02 03 04 05 06 07 08 || 07 55 55 55 55
|| 41 41 14 14 53 99 39 A1 55 C5 D3 F6 B4 E6
9C B1 54 7F 9B B3 40 89 77 FB 93 34 E2 D6 ||
A8 1A || RSVs

5.8.5 802.15.4-2003 COMPLIANT FRAME (TYPE A)

- Network Configuration: Extended address, PAN compression
- Source address: 0x0807060504030201, where 01 is at address 0x1F
- Destination address: 0xAAAAAAAAAAAAAAAA
- PANID: 0x3412 where 12 is at address 0x29
- Payload: FF
- Frame counter: 0x0403020100
- Key sequence counter: 0x12
- Security level: CCM-32 (SecLevel: 0x05)
- Packet: Data packet

5.8.5.1 Transmission

1. Host MCU constructs the frame and loads the buffer:

1B || 49 CC 01 12 34 AA AA AA AA AA AA AA
AA 01 02 03 04 05 06 07 08 || 01 02 03 04 05 ||
FF
2. —
3. —
4. —
5. —
6. Host MCU configures SECKEY:

0x000102030405060708090A0B0C0D0E0F,
where LSB (0x0F) is at address 0x40.
7. Host MCU clears DTSM.
8. Host MCU issues TXST.
9. MRF24XA configures:
 - SECNONCE to 0x01020304050607080102030405, where MSB (0x01) is at address 0x5C
 - SECHDRINDX to 0x01
 - SECPAYINDX to 0x1B
 - SECENDINDX to 0x1B.
10. MRF24XA performs CCM* authentication with encryption, where FF is encrypted to AC, and the following MIC tag is attached:

FC 30 DB BD
11. MRF24XA appends CRC: 0xEB32.
12. MRF24XA transmits the packet to the medium.

Different IF is received based on the register settings (for example, TX with CSMA).

TX Buffer (0x200) content:

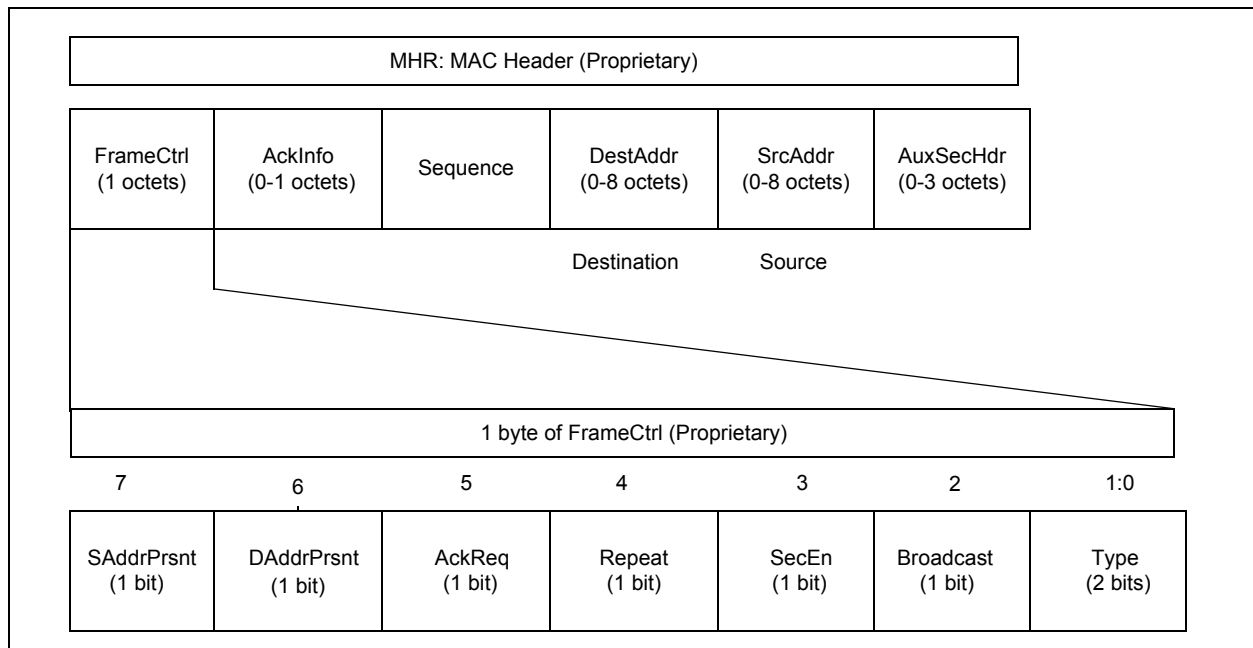
21 || 49 CC 01 12 34 AA AA AA AA AA AA AA
AA 01 02 03 04 05 06 07 08 01 02 03 04 05 ||
AC FC 30 DB BD || 32 EB

6.0 PROPRIETARY FRAME FORMAT AND FRAME PROCESSING

6.1 Proprietary MAC Frame Configuration

Figure 6-1 shows the proprietary MAC header structure. Figure 6-2 shows the specific format of Acknowledge frame. The frame buffer is written first with the LENGTH field byte, and then followed by the FrameCtrl field. An optional Acknowledge Info field is sent before the SEQUENCE.

FIGURE 6-1: PROPRIETARY MAC HEADER STRUCTURE



6.2 Frame Types

TABLE 6-1: FRAME TYPES (BOTH PROTOCOLS)

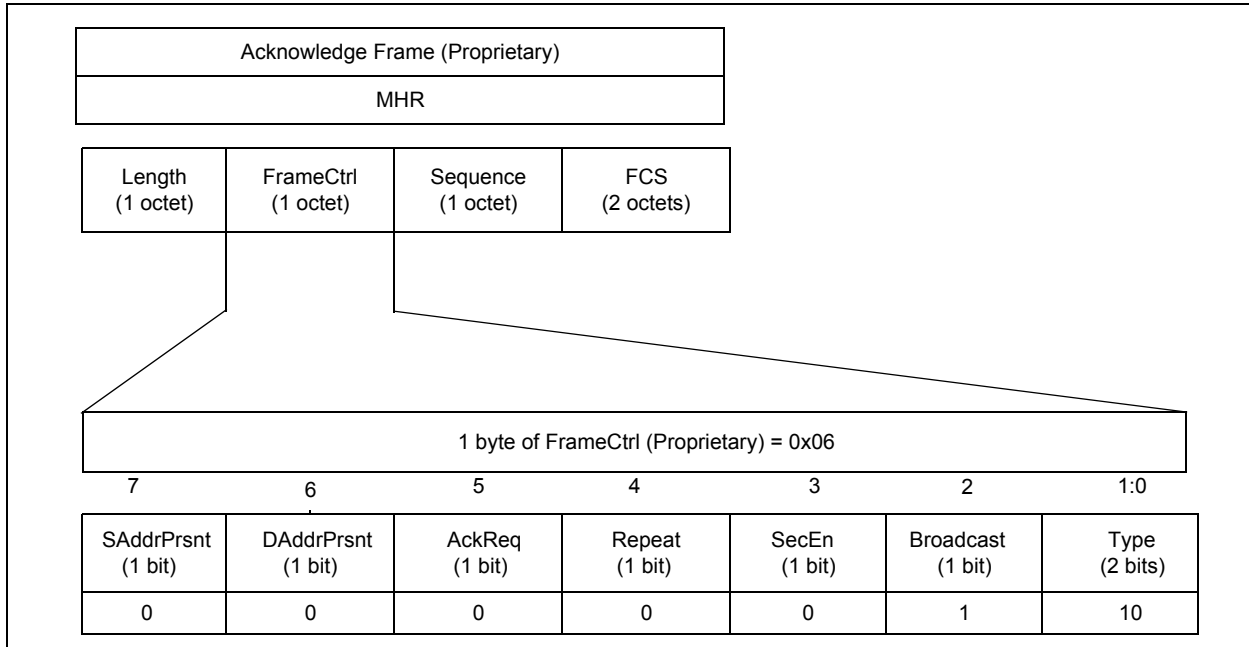
Frame Type	IEEE	Mi-Wi	Description
Data	001	01	Filtered by DATAREJ
Command	011	11	Filtered by CMDREJ First byte of payload (Command) is never encrypted.
Ack	010	10	Acknowledge Frame Must be generated by the receiver (from SW or HW) if AckReq = 1 in the last received frame, using the same sequence number. Acknowledge Frame is generated by hardware (AUTOACKEN = 1). If this is the case, it is not loaded to the TX frame buffer. AUTOACKEN = 1 requires CRCSZ = 1 on both the transmitter and the receiver side.
Beacon	000 (limited HW support)	N/A	Filtered by BCREJ Otherwise, this device does not provide support for parsing on Beacon frames. Security processing requires adjusting the payload index (SECPAYINDX). Beacon frames are only used with broadcast addressing.

MRF24XA

TABLE 6-1: FRAME TYPES (BOTH PROTOCOLS) (CONTINUED)

Frame Type	IEEE	Mi-Wi	Description
Streaming	N/A	00	TRXMODE= 01 by transmitter TRXMODE= 10 by receiver The two buffers are handled by alternating between the two to service a single direction. Security parsing makes no distinction between Streaming frames and Data frames. Streaming frames are never acknowledged.

FIGURE 6-2: PROPRIETARY MAC HEADER STRUCTURE: ACKNOWLEDGE FRAME



6.3 Addressing in Proprietary Framing Mode

The following fields are handled using these examples:

- Header
- Sequence number
- Address
- Data/Command
- CRC
- Inferred Destination Addressing: The Destination Address participates in the CRC computation as part of the frame, but it is omitted from the frame that is sent into the air.

TABLE 6-2: RELEVANT REGISTERS FOR PROPRIETARY MODE ADDRESSING

ADDR.	REGISTER	Bit 7	Bit 6	Bit 5	Bit 4	Bit 3	Bit 2	Bit 1	Bit 0
0x10	MACCON1	TRXMODE<1:0>		ADDRSZ<2:0>			CRCSZ	FRMFMT	SECFLAGOVR
0x1F	ADDR1	ADDR<7:0>							
0x20	ADDR2	ADDR<15:8>							
0x21	ADDR3	ADDR<23:16>							
0x22	ADDR4	ADDR<31:24>							
0x23	ADDR5	ADDR<39:32>							
0x24	ADDR6	ADDR<47:40>							
0x25	ADDR7	ADDR<55:48>							
0x26	ADDR8	ADDR<63:56>							

Legend: r = Reserved, read as '0'.

TABLE 6-3: EXAMPLE CONFIGURATION

TX and RX Common	ADDRSZ<2:0>= 101 => (means that ADDR<63:40> is not used)
TX (Source) Configuration	ADDR<63:0>= 0xxxxx060504030201 (4 MSBs not used) SHADDR<15:0> = xx xx (not used) PANID <15:0> = xx xx (not used)
RX (Destination) Configuration	ADDR<63:0>= 0xxxxx969594939291 (4 MSBs not used) SHADDR<15:0> = xx xx (not used) PANID <15:0> = xx xx (not used)
FrameCtrl	Type<1:0> Broadcast 0 0 0 0 DAPrsnt SAPrsnt Type is not Acknowledge (not = 00)
Frame	Length FrameCtrl Sequence++ DEST SRC Payload (CRC)

TABLE 6-4: LEGAL DESTINATION ADDRESSING OPTIONS USING THE EXAMPLE

Options:	Broadcast	Unicast	
		ADDRSZ<2:0>	Inferred
Example DEST.	—	0x969594939291	—
Type	xx	xx	xx
Broadcast	1	0	0
DAPrsn	x	1	0
ADDRSZ<2:0>	xxx	3'b101	xxx
CRCSZ	x	xx	1

TABLE 6-5: LEGAL SOURCE ADDRESSING OPTIONS USING THE EXAMPLE

Options:	Unicast	
	ADDRSZ<2:0>	Inferred
Example SRC.	0x060504030201	—
Type	xx	xx
SAPrsnt	0	0
ADDRSZ<2:0>	3'b101	xxx

MRF24XA

REGISTER 6-1: RXFILTER (RX FILTER REGISTER)

ADDRESS: 0x18

R/W-0	R/W-1	R/W-1	R/W-1	R/W-1	R/W-1	R/W-1	R/W-1
PANCRDN	CRCREJ	CMDREJ	DATAREJ	UNIREJ	NOTMEREJ	BCREJ	NSTDREJ
bit 7							bit 0

Legend: R = Readable bit W = Writable bit U = Unimplemented bit, read as '0'
-n = Value at POR '1' = Bit is set '0' = Bit is cleared x = Bit is unknown
r = Reserved

- bit 7-6 Out of Scope
- bit 5 **CMDREJ:** Command Frame Reject Enable bit
Setting this bit enables the user to reject all packets with FrameCtrl<Type> equal to Command.
1 = Reject all Command packets
0 = Disable Command Frame Rejection
- bit 4 **DATAREJ:** Data Frame Reject Enable bit
Setting this bit enables the user to reject all packets with FrameCtrl<Type> equal to Data.
1 = Reject all Data packets
0 = Disable Data Frame Rejection
- bit 3-0 Out of Scope

6.3.1 INFERRED DESTINATION ADDRESSING

Inferred destination addressing is indicated in the Proprietary frame format through the combination of DAddrPresent = 0 and Broadcast = 0 flags in the frame header (FrameControl field) and CRCSZ = 1 in the MACCON1 register.

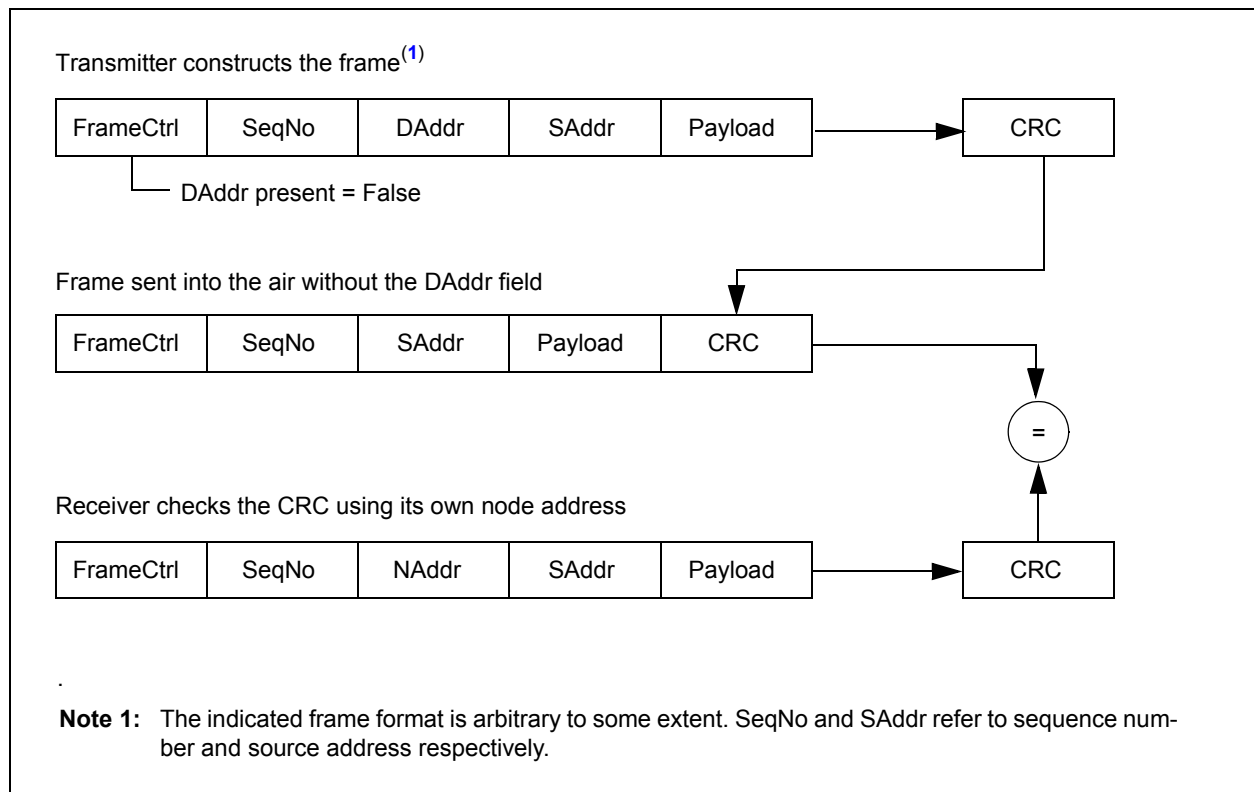
The transmitter calculates the CRC over the complete frame, see Figure 6-3, but drops the Destination Address (DAddr) from the transmitted one, see Figure 6-4. The receiver checks the CRC with its own address inserted. In the case of a match the frame is

accepted, otherwise it is silently discarded. This way CRC filtering takes over the role of Address-Match filtering.

As the framing overhead becomes shorter, the duty-cycle of the radio gets decreased or the throughput gets increased. Therefore, the energy consumed by sending a single byte can outweigh the energy budget of hundreds of MCU byte-operations, the impact on battery life is straightforward.

Note that in case of Inferred DA, the ACKINFO field is mandatory when AckReq = 1. Otherwise, the ACKINFO field is only mandatory if ADPTDREN = 1 or ADPTCHEN = 1.

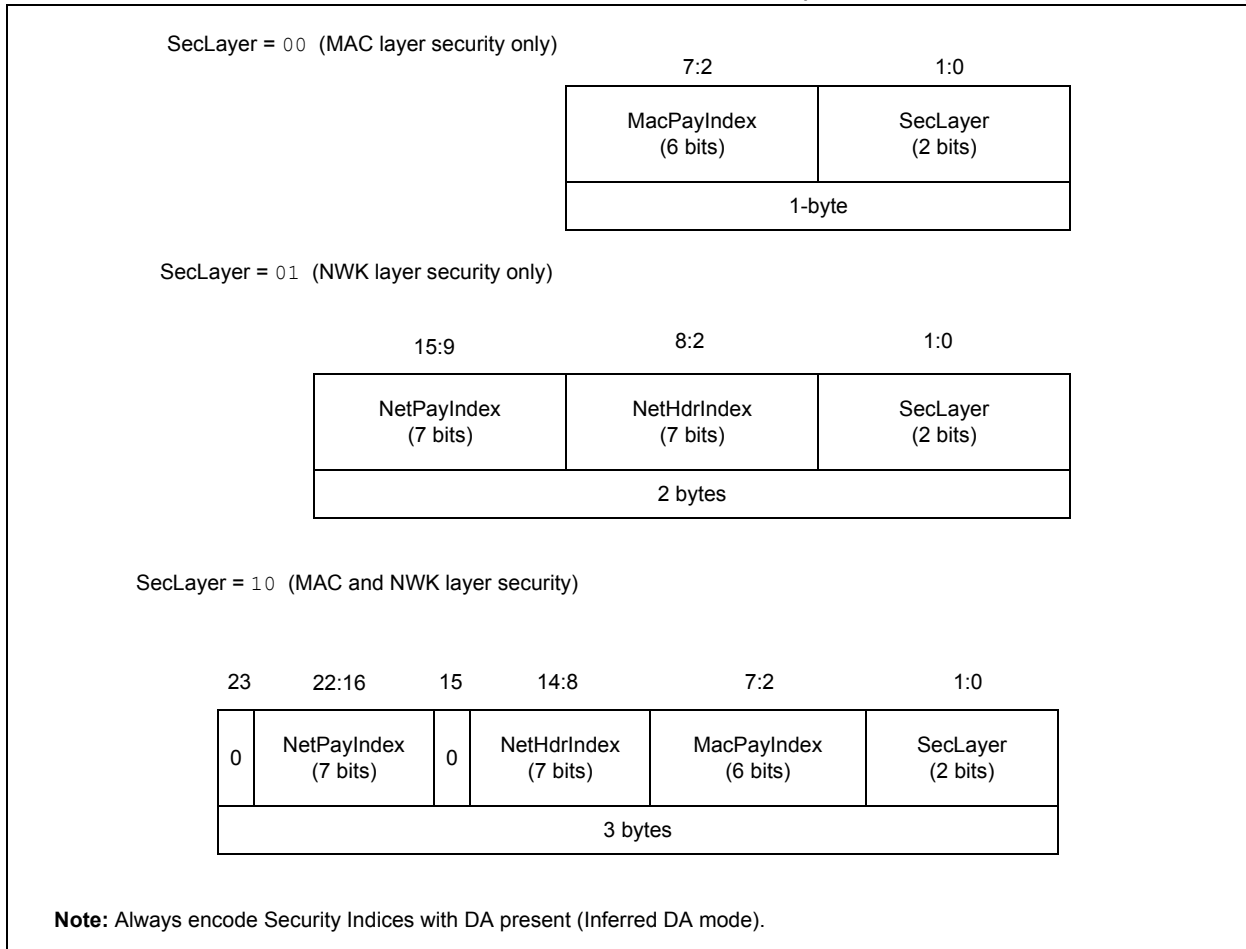
FIGURE 6-3: INFERRED DESTINATION ADDRESS MODE



MRF24XA

6.4 Security Material Retrieval Support with Proprietary Frames

FIGURE 6-4: PROPRIETARY MAC AUXSECHDR OCTETS (ONLY PRESENT WHEN SECEN = 1)



As the MacPayIndex and NetPayIndex fields can point anywhere in the frame (within the range of pointer representation), it is the arbitrary choice of the application whether the Nonce and the Security Suite is included in the frame or not.

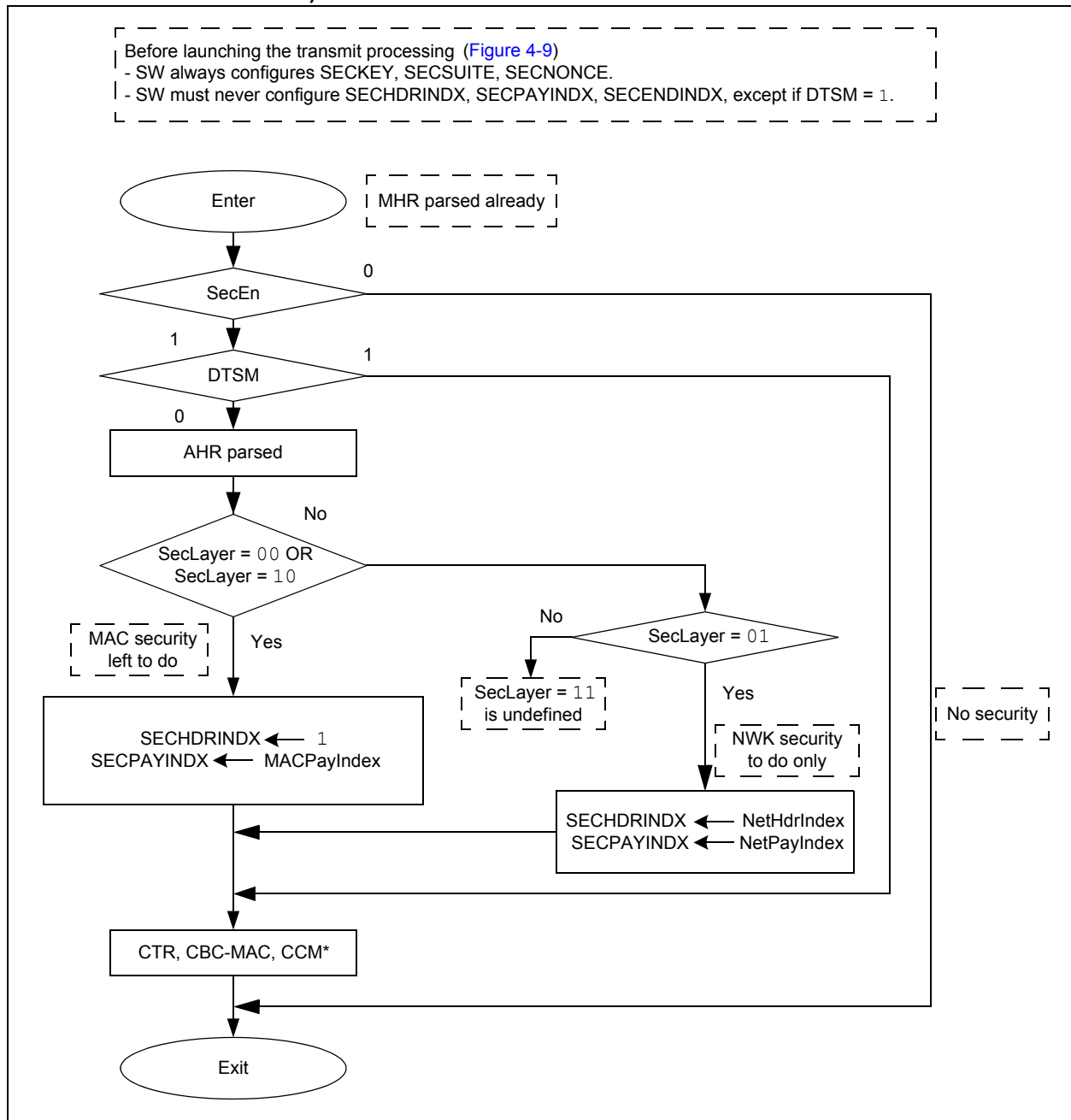
6.5 Security Processing of Transmitted Proprietary Frames

Setting TXST triggers automatic security processing and frame sending as an uninterrupted sequence as shown in Figure 6-5, which is triggered by TXENC is only required when both NWK layer and MAC layer security are applied, see Figure 6-6. In this case, TXENC is set to perform NWK layer security and

TXENCIF must be awaited, then MAC security is configured and TXST is set to launch the MAC security processing and sending.

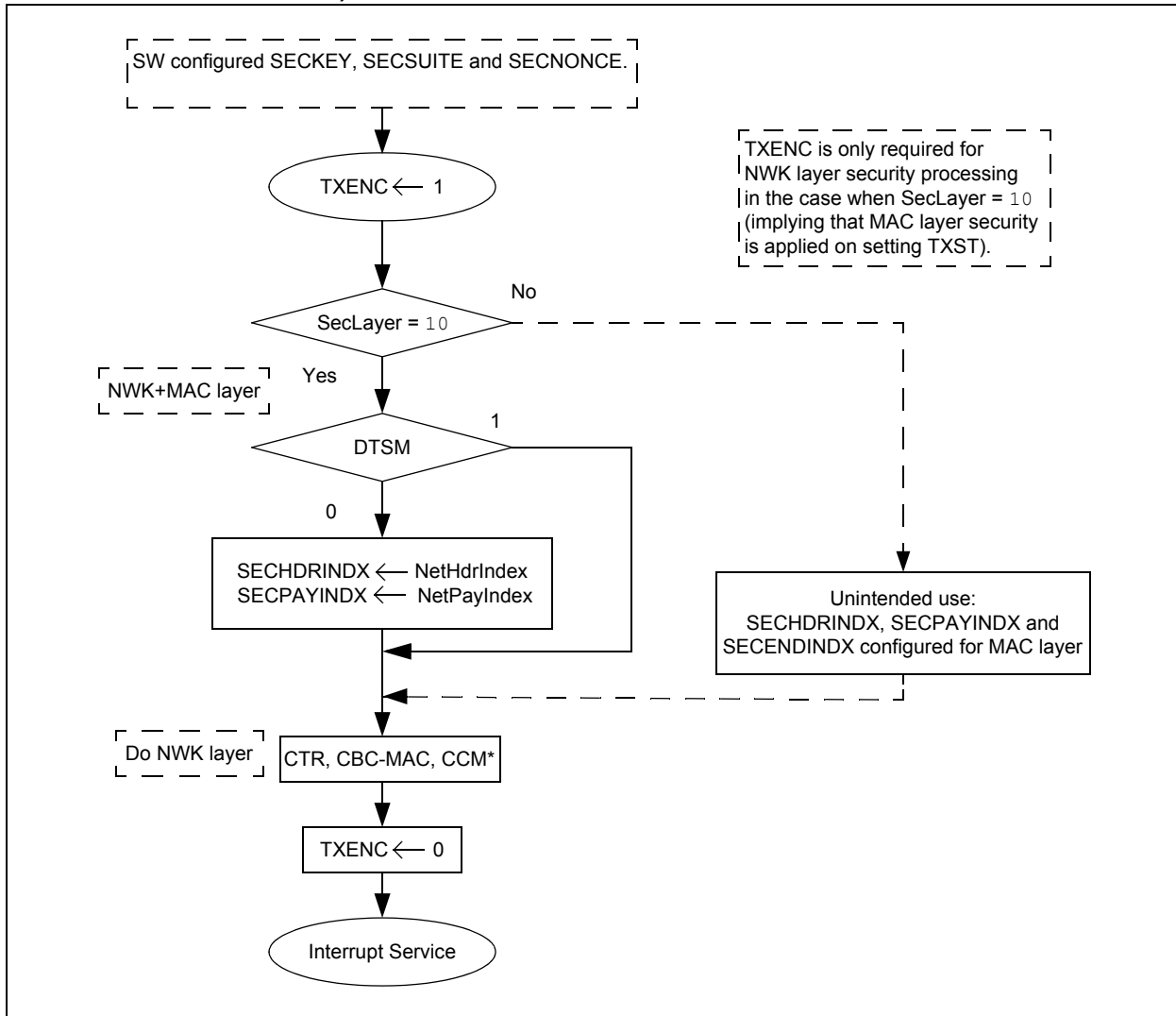
BUF1TXPP, BUF2TXPP, TXENC, and TXST can trigger security functions as shown in Figure 6-5 and Figure 6-6, where BUF1TXPP and BUF2TXPP are both used for debug. The respective interrupts are generated on completion and the device automatically clears the aforementioned triggering bits. Figure 6-5 illustrates the conditions for security material retrieval.

FIGURE 6-5: TRANSMIT SECURITY PROCESSING WHEN FRMFMT = 1 (PROPRIETARY-FORMAT)



MRF24XA

FIGURE 6-6: TRANSMITTER TXENC PROCESSING WHEN FRMFMT = 1 (PROPRIETARY – FORMAT)

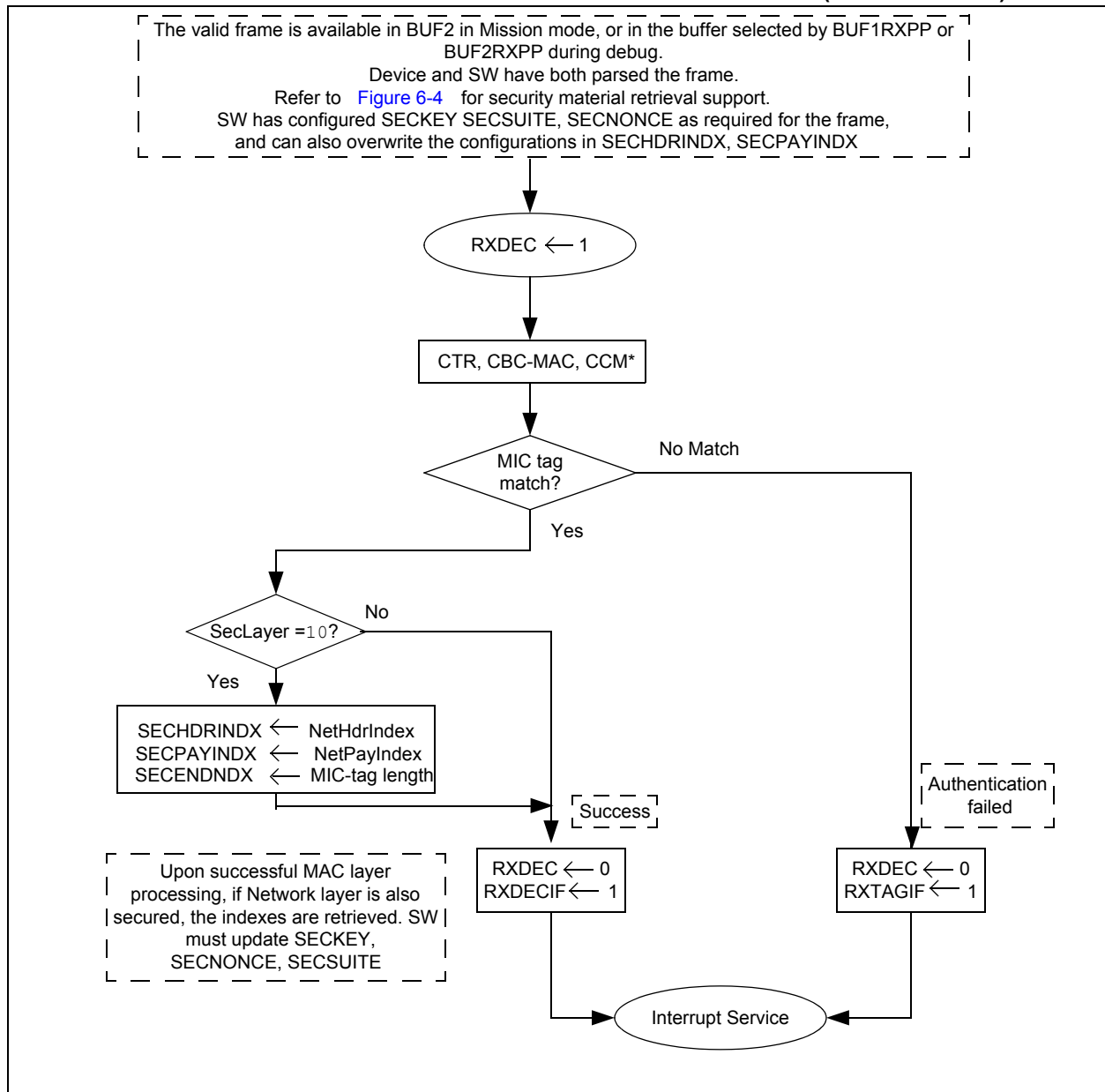


6.6 Security Processing of Received Proprietary Frames

Receive security is always performed when RXDEC is set and awaits RXDECIF or RXTAGIF as it is not automatically triggered. If both MAC and NWK layer security are applied, then both must be processed in this order when RXDEC is set for a second time after updating the security material correctly.

Figure 6-7 shows the security functions triggered by RXDEC. The respective interrupts are generated on completion and the device automatically clears the RXDEC.

FIGURE 6-7: RECEIVER RXDEC PROCESSING WHEN FRMFMT = 1 (PROPRIETARY)



MRF24XA

6.7 Security Procedure for Proprietary Frames

Provided that SecEn is set (1) in the MHR, three levels of security processing are possible, based on the SecLayer<1:0> bits carried in the AuxSecHdr<1:0> field of a given frame: 00-MAC only, 01-NWK only, 10-MAC and NWK.

TABLE 6-6: SECURED FRAME TRANSMISSION (PROPRIETARY MAC FORMAT)

#	Processing Step	Steps per each Security Case		
		MAC only	NWK only	MAC + NWK layer
1	Host MCU constructs the frame and loads the buffer.	SecEn = 1	SecEn = 1	SecEn = 1
2	For NWK security processing, Host MCU configures:	No NWK layer security	SECKEY SECSUITE NONCE	SECKEY SECSUITE NONCE
3	Host MCU triggers security processing without sending.		No TXENC.	Host: TXENC ← 1
4	Device performs the security processing for NWK layer if TXENC is set. SECPAYINDX, SECHDRINDX are filled in from NetHdrIndex, NetPayIndex, respectively. SECENDINDX initially points at the last payload byte. LENGTH and SECENDINDX are updated if MIC tag is appended. TXSZIF if size runs over 127 bytes.			NWK layer security SECPAYINDX SECHDRINDX LENGTH, SECENDINDX
5	Host MCU awaits TXENCIF interrupt, indicating completion. Device clears TXENC.		TXENCIF ← 1 TXENC ← 0	
6	For MAC security processing, Host MCU configures:	SECKEY SECSUITE NONCE	No MAC security.	SECKEY SECSUITE NONCE
7	Host MCU triggers Security processing and sending.	Host: TXST ← 1	Host: TXST ← 1	Host: TXST ← 1
8	If SecEn = 1 and DTSM = 0 then the device configures the SEC*INDX registers using MacPayIndex, MacHdrIndex and the LENGTH field.	SECHDRINDX SECPAYINDX SECENDINDX	—	SECHDRINDX SECPAYINDX SECENDINDX
9	Device performs the security processing for the indicated layer. LENGTH is adjusted if MAC or NWK layer MIC tag is appended. TXSZIF if size run over 127 bytes.	MAC layer security LENGTH if MIC added	NWK layer security LENGTH if MIC added	MAC layer security LENGTH if MIC added
10	LENGTH is adjusted as CRC is appended (if CRCSZ = 1). TXSZIF if size run over 127 bytes.	LENGTH, CRC		
11	Frame is sent.	TXIF (if no TXSZIF or FRMIF) TXST ← 0		

TABLE 6-7: SECURED FRAME RECEPTION (PROPRIETARY MAC FORMAT)

#	Processing Step	Steps per each Security Case		
		MAC only	NWK only	MAC + NWK layer
-2	Device parses the SecEn bit in the FrameCtrl.	SecEn = 1	SecEn = 1	SecEn = 1
-1	For MAC security processing, the device configures the SECHDRINDX, SECPAYINDX based on the Auxiliary Security Header, as well as the SECENDINDX based on the LENGTH field.	SEC*INDX from MacHdrIndex, MacPayIndex and the LENGTH	SEC*INDX from NetHdrIndex, NetPayIndex and the LENGTH	SEC*INDX from MacHdrIndex, MacPayIndex and the LENGTH
0	Valid frame received and accepted by RXFILTER.	RXIF = 1, RXBUFFUL = 1, (RXSDFIF = 1)		
1	Host MCU reads the frame header to check SecEn, SecLayer, source address, and so on.	Read frame header from buffer.		
2	For MAC security processing, the Host MCU must load the following:	SECKEY NONCE SECSUITE	No MAC layer security	SECKEY NONCE SECSUITE
3	Host MCU starts MAC security processing by setting RXDEC.	Host: RXDEC ← 1		Host: RXDEC ← 1
4	Device performs MAC layer security.	MAC layer security		MAC layer security
5	If SecLayer = 10 then SEC*INDX are filled in preparation for network layer security processing following in the sequel.	—		SEC*INDX from NetHdrIndex, NetPayIndex and the MAC layer MIC-position (if present)
6	If Authentication fails then RXTAGIF is generated otherwise the security operation is successful and RXDECIF is generated. Device clears RXDEC.	RXDECIF (or RXTAGIF) RXDEC ← 0		RXDECIF (or RXTAGIF) RXDEC ← 0
7	SW examines RXTAGIF. If set, SW aborts further processing and frees the buffer by clearing RXBUFFUL.	RXTAGIF ← 1	RXTAGIF ← 1	
8	For NWK security processing, the Host MCU must load the following:	No NWK layer security	SECKEY SECSUITE NONCE	SECKEY SECSUITE NONCE
9	Host MCU starts NWK security processing by setting RXDEC.		Host: RXDEC ← 1	Host: RXDEC ← 1
10	Device performs NWK layer security processing. (No figure).		NWK layer security	NWK layer security
11	If Authentication fails then RXTAGIF is generated. Otherwise, the security operation is successful and RXDECIF is generated. Device clears RXDEC.		RXDECIF (or RXTAGIF) RXDEC ← 0	RXDECIF (or RXTAGIF) RXDEC ← 0
12	SW examines RXTAGIF. If set, SW aborts further processing and frees the buffer by clearing RXBUFFUL.		RXTAGIF ← 1	RXTAGIF ← 1
13	SW reads the payload from the buffer.	—	—	
14	SW clears the RXBUFFUL to free the buffer.	RXBUFFUL ← 0		

MRF24XA

6.8 Security Examples

This section provides examples for Proprietary mode framing.

6.8.1 MAC LAYER SECURITY EXAMPLE 1

- Network Configuration: Address size is 8 bytes
- Source address: 0x0807060504030201, where LSB (0x01) is at address 0x1F
- Destination address: 0x9897969594939291
- Payload: BA BA
- MAC security level: 0x04
- MAC security indices: Only encode from the second payload
- Packet: Data packet

6.8.1.1 Transmission

1. Host MCU constructs the frame and loads the buffer:
15 || C9 55 91 92 93 94 95 96 97 98 01 02 03 04
05 06 07 08 || 54 || BA BA
2. —
3. —
4. —
5. —
6. Host MCU configures:
 - SECSUITE to 0x04
 - SECKEY to 0x0F0E0D0C0B0A0908070605040302010, where LSB (0x00) is at address 0x40
 - SECNONCE to 0x08070605040302015555555506, where MSB (0x08) is at address 0x5c.
7. Host MCU sets the TXST register
8. MRF24XA configures:
 - SECHDRINDX to 0x01
 - SECPAYINDX to 0x15
 - SECENDINDX to 0x15.
9. MRF24XA performs CCM* encryption, where BA BA is encrypted to BA F7.
10. MRF24XA appends CRC: 0x9D0A.

11. MRF24XA transmits the packet to the medium. Different IF is received based on the register settings (for example, TX with CSMA).

TX Buffer (0x200) content:

17 || C9 55 91 92 93 94 95 96 97 98 01 02 03 04
05 06 07 08 || 54 || BA F7 || 0A 9D

6.8.1.2 Reception

1. MRF24XA receives the following packet through the antenna:
17 || C9 55 91 92 93 94 95 96 97 98 01 02 03 04
05 06 07 08 || 54 || BA F7 || 0A 9D
2. MRF24XA configures:
 - SECHDRINDX to 0x01
 - SECPAYINDX to 0x15
 - SECENDINDX to 0x15.
3. MRF24XA asserts RXIF (RXSFDIF): Packet accepted by RX filter.
4. —
5. Host MCU configures:
 - SECSUITE to 0x04
 - SECKEY to 0x0F0E0D0C0B0A0908070605040302010, where LSB (0x00) is at address 0x40
 - SECNONCE to 0x08070605040302015555555506, where MSB (0x08) is at address 0x5c.
6. Host MCU issues RXDEC.
7. MRF24XA performs CCM* decryption, where BA F7 is decrypted to BA BA.
8. MRF24XA asserts RXDECIF (and IDLEIF).
9. —
10. —
11. —
12. —
13. —
14. —
15. —
16. SW read the entire frame from RX Buffer (0x300):
17 || C9 55 91 92 93 94 95 96 97 98 01 02 03 04
05 06 07 08 || 54 || BA BA || 0A 9D || RSVs

6.8.2 MAC LAYER SECURITY EXAMPLE 2

- Network Configuration: Address size is 8 bytes, Inferred destination addressing
- Source address: 0x0807060504030201, where LSB (0x01) is at address 0x1F
- Destination address: 0x9897969594939291
- Payload: BA BA
- MAC security level: 0x07
- MAC security indices: Only encode from the second payload
- Packet: Data packet

6.8.2.1 Transmission

1. Host MCU constructs the frame and loads the buffer:
15 || 09 55 91 92 93 94 95 96 97 98 || 34 || BA BA
Always encode Security Indices with DA present in AUXSECHDR!
2. —
3. —
4. —
5. —
6. Host MCU configures:
 - SECSUITE to 0x07
 - SECKEY to 0x0F0E0D0C0B0A09080706050403020100, where LSB (0x00) is at address 0x40
 - SECNONCE to 0x08070605040302015555555506, where MSB (0x08) is at address 0x5c.
7. Host MCU issues TXST.
8. MRF24XA configures
 - SECHDRINDX to 0x01
 - SECPAYINDX to 0x0D
 - SECENDINDX to 0x0D.
9. MRF24XA performs CCM* authentication with encryption, where BA BA is encrypted to BA F7, and the following MIC tag is attached:
00 11 6C 8C 59 02 66 AC 5B DC 2D 30 21 1E D0 0C
10. MRF24XA appends CRC: 0xA2D2.

11. MRF24XA transmits the packet to the medium. Different IF is received based on the register settings (for example, TX with CSMA). Packet transmitted to the medium:

17 || 09 55 || 34 || BA F7 || 00 11 6C 8C 59 02 66 AC 5B DC 2D 30 21 1E D0 0C || D2 A2

TX Buffer (0x200) content:

1F || 09 55 91 92 93 94 95 96 97 98 || 34 || BA F7 || 00 11 6C 8C 59 02 66 AC 5B DC 2D 30 21 1E D0 0C || D2 A2

6.8.2.2 Reception

1. MRF24XA receives the following packet through the antenna:
17 || 09 55 || 34 || BA F7 || 00 11 6C 8C 59 02 66 AC 5B DC 2D 30 21 1E D0 0C || D2 A2
2. MRF24XA configures:
 - SECHDRINDX to 0x01
 - SECPAYINDX to 0x0D (inferred DA is considered)
 - SECENDINDX to 0x15.
3. MRF24XA asserts RXIF (RXSFDIF): Packet accepted by RX filter.
4. —
5. Host MCU configures:
 - SECSUITE to 0x07
 - SECKEY to 0x0F0E0D0C0B0A09080706050403020100, where LSB (0x00) is at address 0x40
 - SECNONCE to 0x08070605040302015555555506, where MSB (0x08) is at address 0x5c.
6. Host MCU issues RXDEC.
7. MRF24XA performs CCM* de-authentication and decryption, where the MIC tag is compared against the received one, and BA F7 is decrypted to BA BA.
8. MRF24XA asserts RXDECIF (and IDLEIF).
9. —
10. —
11. —
12. —
13. —
14. —
15. SW read the entire frame from RX Buffer (0x300):
17 || 09 55 || 34 || BA BA || 00 11 6C 8C 59 02 66 AC 5B DC 2D 30 21 1E D0 0C || D2 A2 || RSVs

MRF24XA

6.8.3 MAC LAYER SECURITY EXAMPLE 3

- Network Configuration: Address size is 1 byte, Inferred destination addressing
- Source address: 0x01 (is at address 0x1F)
- Destination address: 0x91
- Payload: BA BA
- MAC security level: 0x07
- MAC security indices: Only encode from the second payload
- Packet: Data packet

6.8.3.1 Transmission

1. Host MCU constructs the frame and loads the buffer: 06 || 09 55 91 || 18 || BA BA. Always encode security indices with DA present in AUXSECHDR!
2. —
3. —
4. —
5. —
6. Host MCU configures:
 - SECSUITE to 0x07
 - SECKEY to 0x0F0E0D0C0B0A09080706050403020100, where LSB (0x00) is at address 0x40
 - SECNONCE 0x08070605040302015555555506, where MSB (0x08) is at address 0x5c.
7. Host MCU issues TXST.
8. MRF24XA configures:
 - SECHDRINDX to 0x01
 - SECPAYINDX to 0x06
 - SECENDINDX to 0x06.
9. MRF24XA performs CCM* authentication with encryption, where BA BA is encrypted to BA F7, and the following MIC tag is attached:
35 84 FC 4F 1B 92 36 D2 8F D5 D8 B6 68 79 6A 13
10. MRF24XA appends CRC: 0x23A9.
11. MRF24XA transmits the packet to the medium. Different IF is received based on the register settings (for example, TX with CSMA). Packet transmitted to the medium:
17 || 09 55 || 18 || BA F7 || 35 84 FC 4F 1B 92 36 D2 8F D5 D8 B6 68 79 6A 13 || A9 23
TX Buffer (0x200) content:
18 || 09 55 91 || 18 || BA F7 || 35 84 FC 4F 1B 92 36 D2 8F D5 D8 B6 68 79 6A 13 || A9 23

6.8.3.2 Reception

1. MRF24XA receives the following packet through the antenna:
17 || 09 55 || 18 || BA F7 || 35 84 FC 4F 1B 92 36 D2 8F D5 D8 B6 68 79 6A 13 || A9 23
2. MRF24XA configures:
 - SECHDRINDX to 0x01
 - SECPAYINDX to 0x06 (inferred DA is considered)
 - SECENDINDX to 0x15.
3. MRF24XA asserts RXIF (RXSFDIF): Packet accepted by RX filter.
4. —
5. Host MCU configures:
 - SECSUITE to 0x07
 - SECKEY to 0x0F0E0D0C0B0A09080706050403020100, where LSB (0x00) is at address 0x40
 - SECNONCE to 0x08070605040302015555555506, where MSB (0x08) is at address 0x5c.
6. Host MCU issues RXDEC.
7. MRF24XA performs CCM* de-authentication and decryption, where the MIC tag is compared against the received one, and BA F7 is decrypted to BA BA.
8. MRF24XA asserts RXDECIF (and IDLEIF).
9. —
10. —
11. —
12. —
13. —
14. —
15. SW read the entire frame from RX Buffer (0x300):
17 || 09 55 || 18 || BA BA || 35 84 FC 4F 1B 92 36 D2 8F D5 D8 B6 68 79 6A 13 || A9 23 || RSVs

6.8.4 NWK LAYER SECURITY EXAMPLE 1

- Network Configuration: Address size is 8 bytes
- Source address: 0x0807060504030201, where LSB (0x01) is at address 0x1F
- Destination address: 0x9897969594939291
- Network header: BA BA
- Network payload: AB AB
- NET security level: 0x01
- Packet: Data packet

6.8.4.1 Transmission

1. Host MCU constructs the frame and loads the buffer:
15 || C9 55 91 92 93 94 95 96 97 98 01 02 03 04
05 06 07 08 || 55 2E || BA BA AB AB
2. Host MCU configures:
 - SECSUITE to 0x01
 - SECKEY to
0x0F0E0D0C0B0A09080706050403020100,
where LSB (0x00) is at address 0x40
 - SECNONCE
0x08070605040302015555555506, where
MSB (0x08) is at address 0x5c.
3. —
4. —
5. —
6. —
7. Host MCU issues TXST.
8. MRF24XA configures:
 - SECHDRINDX to 0x15
 - SECPAYINDX to 0x17
 - SECENDINDX to 0x18.
9. MRF24XA performs CCM* authentication, where the following MIC tag is attached:
FB 17 32 26
10. MRF24XA appends CRC: 0xAA70.
11. MRF24XA transmits the packet to the medium. Different IF is received based on the register settings (for example, TX with CSMA).
TX Buffer (0x200) content:
1E || C9 55 91 92 93 94 95 96 97 98 01 02 03 04
05 06 07 08 || 55 2E || BA BA FB 17 32 26 || 70
AA

6.8.4.2 Reception

1. MRF24XA receives the following packet through the antenna:
1E || C9 55 91 92 93 94 95 96 97 98 01 02 03 04
05 06 07 08 || 55 2E || BA BA FB 17 32 26 || 70
AA
2. MRF24XA configures:
 - SECHDRINDX to 0x15
 - SECPAYINDX to 0x17
 - SECENDINDX to 0x18.
3. MRF24XA asserts RXIF (RXSFDIF): Packet accepted by RX filter.
4. —
5. —
6. —
7. —
8. —
9. —
10. —
11. Host MCU configures:
 - SECSUITE to 0x04
 - SECKEY to
0x0F0E0D0C0B0A09080706050403020100,
where LSB (0x00) is at address 0x40
 - SECNONCE to
0x08070605040302015555555506, where
MSB (0x08) is at address 0x5c.
12. Host MCU issues RXDEC.
13. MRF24XA performs CCM* de-authentication, where the MIC tag is compared against the received one.
14. MRF24XA asserts RXDECIF (and IDLEIF).
15. —
16. SW read the entire frame from RX Buffer (0x300):
1E || C9 55 91 92 93 94 95 96 97 98 01 02 03 04
05 06 07 08 || 55 2E || BA BA FB 17 32 26 || 70
AA || RSVs

MRF24XA

6.8.5 NWK LAYER SECURITY EXAMPLE 2

- Network Configuration: Address size is 8 bytes, Inferred destination addressing
- Source address: 0x0807060504030201 where LSB (0x01) is at address 0x1F
- Destination address: 0x9897969594939291
- Network header: BA BA
- Network payload: AB AB
- Security level: 0x07
- Packet: Data packet

6.8.5.1 Transmission

1. Host MCU constructs the frame and loads the buffer:
15 || 89 55 91 92 93 94 95 96 97 98 01 02 03 04
05 06 07 08 || 55 2E || BA BA AB AB
2. Host MCU configures:
 - SECSUITE to 0x07
 - SECKEY to
0x0F0E0D0C0B0A09080706050403020100,
where LSB (0x00) is at address 0x40
 - SECNONCE
0x08070605040302015555555506, where
MSB (0x08) is at address 0x5c.
3. —
4. —
5. —
6. —
7. Host MCU issues TXST.
8. MRF24XA configures:
 - SECHDRINDX to 0x15
 - SECPAYINDX to 0x17
 - SECENDINDX to 0x18.
9. MRF24XA performs CCM* authentication and encryption, where BA BA AB AB is encrypted to BA BA E6 E5, and the following MIC tag is attached:
77 FE 46 E2 D4 0E 1D C6 34 D9 34 36 4F 28 2F
D8
10. MRF24XA appends CRC: 0x55C1.
11. MRF24XA transmits the packet to the medium. Different IF is received based on the register settings (for example, TX with CSMA). Packet transmitted to the medium:
22 || 89 55 01 02 03 04 05 06 07 08 || 55 2E ||
BA BA E6 E5 77 FE 46 E2 D4 0E 1D C6 34 D9
34 36 4F 28 2F D8 || C1 55
TX Buffer (0x200) content:

2A || 89 55 91 92 93 94 95 96 97 98 01 02 03 04
05 06 07 08 || 55 2E || BA BA E6 E5 77 FE 46
E2 D4 0E 1D C6 34 D9 34 36 4F 28 2F D8 ||
C1 55

6.8.5.2 Reception

1. MRF24XA receives the following packet through the antenna:
22 || 89 55 01 02 03 04 05 06 07 08 || 55 2E ||
BA BA E6 E5 77 FE 46 E2 D4 0E 1D C6 34 D9
34 36 4F 28 2F D8 || C1 55
2. MRF24XA configures:
 - SECHDRINDX to 0x15 (inferred DA is considered)
 - SECPAYINDX to 0x17 (inferred DA is considered)
 - SECENDINDX to 0x20.
3. MRF24XA asserts RXIF (RXSFDIF): Packet accepted by RX filter.
4. —
5. —
6. —
7. —
8. —
9. —
10. —
11. Host MCU configures:
 - SECSUITE to 0x07
 - SECKEY to
0x0F0E0D0C0B0A09080706050403020100,
where LSB (0x00) is at address 0x40
 - SECNONCE to
0x08070605040302015555555506, where
MSB (0x08) is at address 0x5c.
12. Host MCU issues RXDEC.
13. MRF24XA performs CCM* de-authentication and decryption, where the MIC tag is compared against the received one, and BA BA E6 E5 is decrypted to BA BA AB AB.
14. MRF24XA asserts RXDECIF (and IDLEIF).
15. —
16. SW read the entire frame from RX Buffer (0x300):
22 || 89 55 01 02 03 04 05 06 07 08 || 55 2E ||
BA BA AB AB 77 FE 46 E2 D4 0E 1D C6 34 D9
34 36 4F 28 2F D8 || C1 55 || RSVs

6.8.6 NWK LAYER EXAMPLE 3

- Network Configuration: Address size is 1 byte, Inferred destination addressing
- Source address: 0x01 (is at address 0x1F)
- Destination address: 0x91
- Network header: BA BA
- Network payload: AB AB
- Security level: 0x07
- Packet: Data packet

6.8.6.1 Transmission

1. Host MCU constructs the frame and loads the buffer: 0A || 89 55 91 01 || 1D 12 || BA BA AB AB
2. Host MCU configures:
 - SECSUITE to 0x07
 - SECKEY to 0x0F0E0D0C0B0A09080706050403020100, where LSB (0x00) is at address 0x40
 - SECNONCE to 0x08070605040302015555555506, where MSB (0x08) is at address 0x5c.
3. —
4. —
5. —
6. —
7. Host MCU issues TXST.
8. MRF24XA configures:
 - SECHDRINDX to 0x07
 - SECPAYINDX to 0x09
 - SECENDINDX to 0x0A.
9. MRF24XA performs CCM* authentication and encryption, where BA BA AB AB is encrypted to BA BA E6 E5, and the following MIC tag is attached:
77 FE 46 E2 D4 0E 1D C6 34 D9 34 36 4F 28 2F D8
10. MRF24XA appends CRC: 0xCD05.
11. MRF24XA transmits the packet to the medium. Different IF is received based on the register settings (for example, TX with CSMA). Packet transmitted to the medium:
1B || 89 55 01 || 1D 12 || BA BA E6 E5 77 FE 46 E2 D4 0E 1D C6 34 D9 34 36 4F 28 2F D8 || 05 CD
TX Buffer (0x200) content:
1C || 89 55 91 01 || 1D 12 || BA BA E6 E5 77 FE 46 E2 D4 0E 1D C6 34 D9 34 36 4F 28 2F D8 || 05 CD

6.8.6.2 Reception

1. MRF24XA receives the following packet through the antenna:
1B || 89 55 01 || 1D 12 || BA BA E6 E5 77 FE 46 E2 D4 0E 1D C6 34 D9 34 36 4F 28 2F D8 || 05 CD
2. MRF24XA configures:
 - SECHDRINDX to 0x07 (inferred DA is considered)
 - SECPAYINDX to 0x09 (inferred DA is considered)
 - SECENDINDX to 0x19.
3. MRF24XA asserts RXIF (RXSFDIF): Packet accepted by RX filter.
4. —
5. —
6. —
7. —
8. —
9. —
10. —
11. Host MCU configures:
 - SECSUITE to 0x07
 - SECKEY to 0x0F0E0D0C0B0A09080706050403020100, where LSB (0x00) is at address 0x40
 - SECNONCE to 0x08070605040302015555555506, where MSB (0x08) is at address 0x5c.
12. Host MCU issues RXDEC.
13. MRF24XA performs CCM* de-authentication and decryption, where the MIC tag is compared against the received one, and BA BA E6 E5 is decrypted to BA BA AB AB.
14. MRF24XA asserts RXDECIF (and IDLEIF).
15. —
16. SW read the entire frame from the RX Buffer (0x300):
1B || 89 55 01 || 1D 12 || BA BA BA BA 77 FE 46 E2 D4 0E 1D C6 34 D9 34 36 4F 28 2F D8 || 05 CD || RSVs

MRF24XA

6.8.7 MAC AND NWK LAYER SECURITY EXAMPLE 1

- Network Configuration: Address size is 8 bytes
- Source address: 0x0807060504030201, where LSB (0x01) is at address 0x1F
- Destination address: 0x9897969594939291
- Payload: BA BA
- Network header: AB
- Network payload: AB
- Network security level: 0x07
- MAC security level: 0x03
- MAC security indices: Only encode from the second payload
- Packet: Data packet

6.8.7.1 Transmission

1. Host MCU constructs the frame and loads the buffer:
19 || C9 55 91 92 93 94 95 96 97 98 01 02 03 04 05 06 07 08 || 5E 18 19 || BA BA AB AB
2. Host MCU configures:
 - SECSUITE to 0x07
 - SECKEY to 0x0F0E0D0C0B0A09080706050403020100, where LSB (0x00) is at address 0x40
 - SECNONCE 0x08070605040302015555555506, where MSB (0x08) is at address 0x5c.
3. Host MCU issues TXENC.
4. MRF24XA configures:
 - SECHDRINDX to 0x18
 - SECPAYINDX to 0x19
 - SECENDINDX to 0x19.
5. MRF24XA performs CCM* authentication with encryption, where AB AB is encrypted to AB E6, and the following MIC tag is attached:
AB 4B 03 7B B7 30 98 B1 E5 93 CA D7 86 81 8A 2D
6. MRF24XA asserts TXENCIF (and IDLEIF).
7. Host MCU configures:
 - SECSUITE to 0x03
 - SECKEY to 0xFFFEFDFCFB-FAF9F8F7F6F5F4F3F2F1F0, where LSB (0xF0) is at address 0x40
 - SECNONCE 0xF8F7F6F5F4F3F2F15555555506, where (0xF8) is at address 0x5c.
8. Host MCU issues TXST.

9. MRF24XA configures:
 - SECHDRINDX to 0x01
 - SECPAYINDX to 0x17
 - SECENDINDX to 0x29.
10. MRF24XA performs CCM* authentication, where the following MIC tag is attached:
05 15 AB 5F 6C 7D 5C 70 6C 96 91 C0 34 E5 18 0D
11. MRF24XA appends CRC: 0x717B.
12. MRF24XA transmits the packet to the medium. Different IF is received based on the register settings (for example, TX with CSMA).
TX Buffer (0x200) content:
3B || C9 55 91 92 93 94 95 96 97 98 01 02 03 04 05 06 07 08 || 5E 18 19 || BA BA AB E6 AB 4B 03 7B B7 30 98 B1 E5 93 CA D7 86 81 8A 2D 05 15 AB 5F 6C 7D 5C 70 6C 96 91 C0 34 E5 18 0D || 7B 71

6.8.7.2 Reception

1. MRF24XA receives the following packet through the antenna:
3B || C9 55 91 92 93 94 95 96 97 98 01 02 03 04 05 06 07 08 || 5E 18 19 || BA BA AB E6 AB 4B 03 7B B7 30 98 B1 E5 93 CA D7 86 81 8A 2D 05 15 AB 5F 6C 7D 5C 70 6C 96 91 C0 34 E5 18 0D || 7B 71
2. MRF24XA configures:
 - SECHDRINDX to 0x01
 - SECPAYINDX to 0x17
 - SECENDINDX to 0x39.
3. MRF24XA asserts RXIF (RXSFDIF): Packet accepted by RX filter.
4. —
5. Host MCU configures:
 - SECSUITE to 0x03
 - SECKEY to 0xFFFEFDFCFB-FAF9F8F7F6F5F4F3F2F1F0, where LSB (0xF0) is at address 0x40
 - SECNONCE 0xF8F7F6F5F4F3F2F15555555506, where MSB (0xF8) is at address 0x5c.
6. Host MCU issues RXDEC.
7. MRF24XA performs CCM* de-authentication, where the MIC tag is compared against the received one.
8. MRF24XA configures:
 - SECHDRINDX to 0x18
 - SECPAYINDX to 0x19
 - SECENDINDX to 0x29.
9. MRF24XA asserts RXDECIF (and IDLEIF).
10. —

11. Host MCU configures:
 - SECSUITE to 0x07
 - SECKEY to 0x0F0E0D0C0B0A09080706050403020100, where LSB (0x00) is at address 0x40
 - SECNONCE to 0x08070605040302015555555506, where MSB (0x08) is at address 0x5c.
12. Host MCU issues RXDEC.
13. MRF24XA performs CCM* de-authentication and decryption, where the MIC tag is compared against the received one, and AB E6 is decrypted to AB AB.
14. MRF24XA asserts RXDECIF (and IDLEIF).
15. —
16. SW read the entire frame from the RX Buffer (0x300):
3B || C9 55 91 92 93 94 95 96 97 98 01 02 03 04
05 06 07 08 || 5E 18 19 || BA BA AB AB AB 4B
03 7B B7 30 98 B1 E5 93 CA D7 86 81 8A 2D
05 15 AB 5F 6C 7D 5C 70 6C 96 91 C0 34 E5
18 0D || 7B 71 || RSVs

6.8.8 MAC AND NWK LAYER SECURITY EXAMPLE 2

- Network Configuration: Address size is 4 bytes, Inferred destination addressing
- Source address: 0x04030201 where LSB (0x01) is at address 0x1F
- Destination address: 0x94939291
- Payload: BA BA
- Network header: AB
- Network payload: AB
- Network security level: 0x07
- MAC security level: 0x07
- MAC security indices: Only encode from the second payload
- Packet: Data packet

6.8.8.1 Transmission

1. Host MCU constructs the frame and loads the buffer:
11 || 89 55 91 92 93 94 01 02 03 04 || 3E 10 11
|| BA BA AB AB
2. Host MCU configures:
 - SECSUITE to 0x07
 - SECKEY to 0x0F0E0D0C0B0A09080706050403020100, where LSB (0x00) is at address 0x40
 - SECNONCE 0x08070605040302015555555506, where MSB (0x08) is at address 0x5c.
3. Host MCU issues TXENC.
4. MRF24XA configures:
 - SECHDRINDX to 0x10
 - SECPAYINDX to 0x11
 - SECENDINDX to 0x11.
5. MRF24XA performs CCM* authentication with encryption, where AB AB is encrypted to AB E6, and the following MIC tag is attached:
AB 4B 03 7B B7 30 98 B1 E5 93 CA D7 86 81
8A 2D
6. MRF24XA asserts TXENCIF (and IDLEIF).
7. Host MCU configures:
 - SECSUITE to 0x03
 - SECKEY to 0xFFFEFDFCFB-FAF9F8F7F6F5F4F3F2F1F0, where LSB (0xF0) is at address 0x40
 - SECNONCE 0xF8F7F6F5F4F3F2F15555555506, where (0xF8) is at address 0x5c.
8. Host MCU issues TXST.

MRF24XA

9. MRF24XA configures:
 - SECHDRINDX to 0x01
 - SECPAYINDX to 0x0F
 - SECENDINDX to 0x21
 10. MRF24XA performs CCM* authentication with encryption, where BA BA AB E6 AB 4B 03 7B B7 30 98 B1 E5 93 CA D7 86 81 8A 2D is encrypted to BA A2 6D 3C 78 90 8F 99 BB E6 6B 29 CC AF A1 6F 14 9B 0D 7A, and the following MIC tag is attached:
23 EB C5 73 E8 44 DA 0E 8D D7 9C E7 06 E1 BD C2
 11. MRF24XA appends CRC: 0xF9B3.
 12. MRF24XA transmits the packet to the medium. Different IF is received based on the register settings (for example, TX with CSMA). Packet transmitted to the medium:
2F || 89 55 01 02 03 04 || 3E 10 11 || BA A2 6D 3C 78 90 8F 99 BB E6 6B 29 CC AF A1 6F 14 9B 0D 7A 23 EB C5 73 E8 44 DA 0E 8D D7 9C E7 06 E1 BD C2 || B3 F9
TX Buffer (0x200) content:
33 || 89 55 91 92 93 94 01 02 03 04 || 3E 10 11 || BA A2 6D 3C 78 90 8F 99 BB E6 6B 29 CC AF A1 6F 14 9B 0D 7A 23 EB C5 73 E8 44 DA 0E 8D D7 9C E7 06 E1 BD C2 || B3 F9
- ### 6.8.8.2 Reception
1. MRF24XA receives the following packet through the antenna:
2F || 89 55 01 02 03 04 || 3E 10 11 || BA A2 6D 3C 78 90 8F 99 BB E6 6B 29 CC AF A1 6F 14 9B 0D 7A 23 EB C5 73 E8 44 DA 0E 8D D7 9C E7 06 E1 BD C2 || B3 F9
 2. MRF24XA configures:
 - SECHDRINDX to 0x01
 - SECPAYINDX to 0x0F (inferred DA is considered)
 - SECENDINDX to 0x2D.
 3. MRF24XA asserts RXIF (RXSFDIF): Packet accepted by RX filter.
 4. —
 5. Host MCU configures:
 - SECSUITE to 0x07
 - SECKEY to 0xFFFFFDFCFB-FAF9F8F7F6F5F4F3F2F1F0, where LSB (0xF0) is at address 0x40
 - SECNONCE to 0xF8F7F6F5F4F3F2F15555555506, where (0xF8) is at address 0x5c.
 6. Host MCU issues RXDEC.
 7. MRF24XA performs CCM* de-authentication, where the MIC tag is compared against the received one, and
BA A2 6D 3C 78 90 8F 99 BB E6 6B 29 CC AF A1 6F 14 9B 0D 7A is decrypted to BA BA AB E6 AB 4B 03 7B B7 30 98 B1 E5 93 CA D7 86 81 8A 2D
 8. MRF24XA configures:
 - SECHDRINDX to 0x10
 - SECPAYINDX to 0x11
 - SECENDINDX to 0x1D.
 9. MRF24XA asserts RXDECIF (and IDLEIF).
 10. —
 11. Host MCU configures:
 - SECSUITE to 0x07
 - SECKEY to 0x0F0E0D0C0B0A0908070605040302010, where LSB (0x00) is at address 0x40
 - SECNONCE to 0x08070605040302015555555506, where MSB (0x08) is at address 0x5c.
 12. Host MCU issues RXDEC.
 13. MRF24XA performs CCM* de-authentication and decryption, where the MIC tag is compared against the received one, and AB E6 is decrypted to AB AB.
 14. MRF24XA asserts RXDECIF (and IDLEIF).
 15. —
 16. SW read the entire frame from RX Buffer (0x300):
2F || 89 55 01 02 03 04 || 3E 10 11 || BA BA AB AB AB 4B 03 7B B7 30 98 B1 E5 93 CA D7 86 81 8A 2D 23 EB C5 73 E8 44 DA 0E 8D D7 9C E7 06 E1 BD C2 || B3 F9 || RSVs

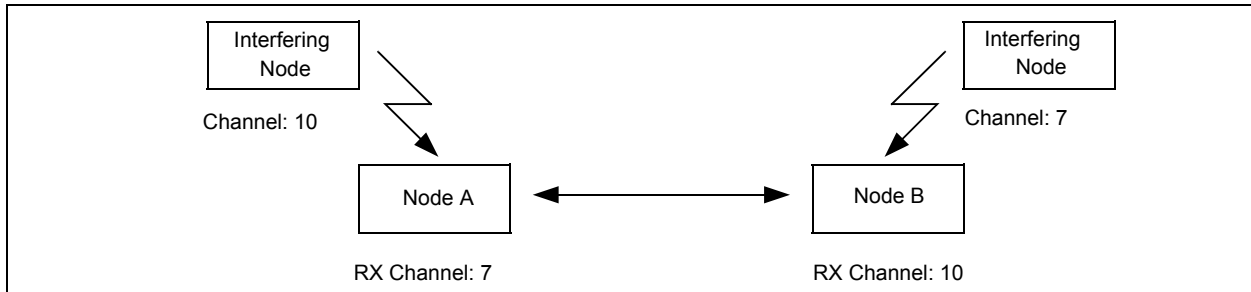
7.0 ADVANCED LINK BEHAVIOR IN PROPRIETARY PACKET MODE

Note that in case of Inferred DA, the ACKINFO field is mandatory when AckReq=1. Otherwise the ACKINFO field is mandatory if ADPTDREN = 1 or ADPTCHEN = 1.

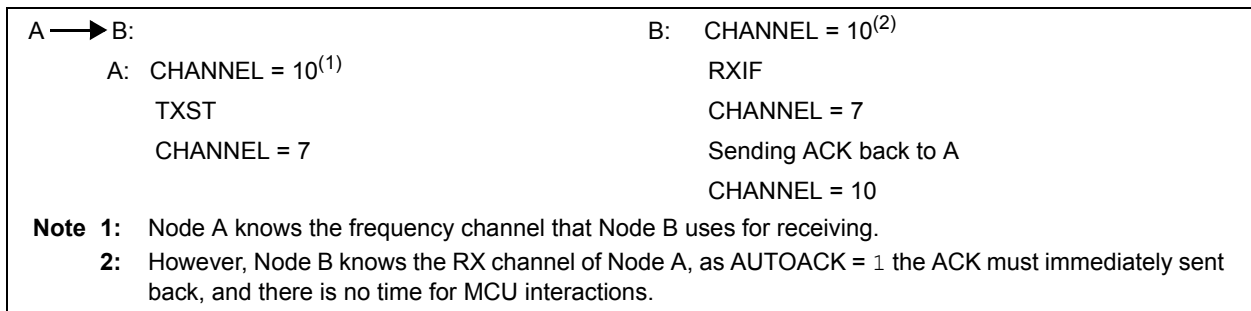
7.1 Channel Agility

In some communication environments, where several nodes use the same medium, it is necessary to choose different channels for the communicating nodes. It introduces difficulties in ACK receiving. Figure 7-1 illustrates the example of channel agility. To prevent higher MCU load on channel changing, MRF24XA handles the channel change for the automatic sending of ACK. This feature is enabled by ADPTCHEN bit that must be enabled for all the nodes within the same network. Figure 4-13 describes the ACK sending mechanism.

FIGURE 7-1: CHANNEL AGILITY EXAMPLE

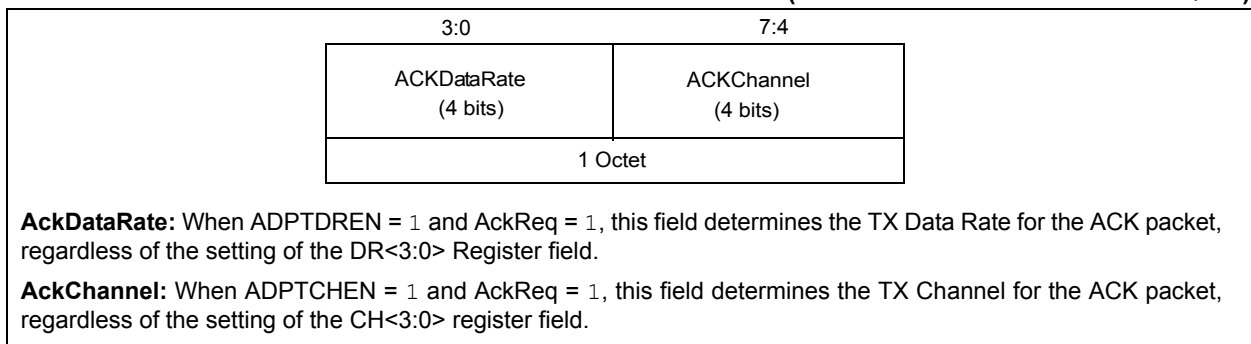


EXAMPLE 7-1: AUTO ACK EXAMPLE WITH CHANNEL AGILITY



Channel Agility is based on AckInfo field of the Proprietary MAC header. Proprietary MAC header is described in Figure 6-1.

FIGURE 7-2: PROPRIETARY MAC ACKINFO<7:0> OCTET (ONLY PRESENT WHEN ACKREQ = 1)



MRF24XA

REGISTER 7-1: RXCON2 (MAC RECEIVE CONTROL 2 REGISTER)

ADDRESS: 0x16

R/C/HS-0	R/W-0	R-0	R/W-0	R/W-0	R/W-0	R/W-0	R/W-0
RXBUFFUL	IDENTREJ	ACKRXFP	ACKTXFP	AUTORPTEN	AUTOACKEN	ADPTCHEN	ADPTDREN
bit 7							bit 0

Legend: R = Readable bit W = Writable bit U = Unimplemented bit, read as '0'
-n = Value at POR '1' = Bit is set '0' = Bit is cleared x = Bit is unknown
r = Reserved HS = Hardware Set C = Clearable bit

bit 7-2 Out of scope

bit 1 **ADPTCHEN:** Adaptive Channel Enable bit⁽¹⁾

Setting this bit enables the MAC to set the transmitting channel for the ACK packet based on the Ack-Info field (Proprietary packet) of the received packet, rather than the CH<3:0> register bits.

1 = Adaptive Channel feature is enabled

0 = Adaptive Channel feature is disabled

bit 0 Out of scope

Note 1: Use ADPTCHEN field while receiving and transmitting, and must be unmodified while RXEN or TXST is set.

7.2 Data Rate Agility

Similar to Channel Agility as described in [Figure 7.1](#), ACK is sent at different data rates within different nodes. It may provide more robust ACK sending mechanism in busier networking environments. Data Rate Agility is enabled by the ADPTDREN bit that must be set for all the nodes within the same network. Data Rate Agility is based on AckInfo field of the Proprietary MAC header. Proprietary MAC header is described in [Figure 6-1](#). AckInfo field is described in [Figure 7-1](#). [Figure 4-13](#) describes the ACK sending mechanism.

REGISTER 7-2: RXCON2 (MAC RECEIVE CONTROL 2 REGISTER) ADDRESS: 0x16

R/C/HS-0	R/W-0	R-0	R/W-0	R/W-0	R/W-0	R/W-0	R/W-0
RXBUFFER	IDENTREJ	ACKRXFP	ACKTXFP	AUTORPTEN	AUTOACKEN	ADPTCHEN	ADPTDREN
bit 7							bit 0

Legend: R = Readable bit	W = Writable bit	U = Unimplemented bit, read as '0'
-n = Value at POR	'1' = Bit is set	'0' = Bit is cleared
r = Reserved	HS = Hardware Set	C = Clearable bit
		x = Bit is unknown

bit 7-1 Out of scope

bit 0 **ADPTDREN:** Adaptive Data Rate Enable bit⁽¹⁾

Setting this bit enables the MAC to set the transmission data rate for the ACK packet based on the AckInfo field (Proprietary packet) of the received packet, rather than the DR<2:0> register bits.

1 = Adaptive Data Rate feature is enabled

0 = Adaptive Data Rate feature is disabled

Note 1: Use ADPTDREN field while receiving and transmitting, and must be unmodified while RXEN or TXST is set.

7.3 Auto-Repeater

The Auto-Repeat feature enables to automatically (without Host Controller intervention) repeat any packets that request it (FrameCtrl[Repeat] = 1). Auto-Repeat is not available in RX- or TX- Streaming modes as these modes are designed to provide maximum throughput rather than reliable transport. Only Data and Command frames are repeated with Auto-Repeat.

If MRF24XA receives a Data or Command frame with its FrameCtrl[Repeat] bit set, the frame may be repeated without MCU intervention when AUTORPTEN register bit is set. If the packet is a Unicast packet, and its Destination Address (explicit or inferred) matches the ADDR<63:0> register, then the packet is not repeated, but received as a normal packet instead. If the packet is a Broadcast packet, or is a Unicast packet with a non-matching address, the packet is received into the buffer, and then retransmitted (repeated) without modification (no CRC generation or encryption steps are performed).

It is recommended to use this function together with the CSMA/CA algorithm to avoid the collision with the IDENTREJ = 1 function. Therefore, packet received more than twice is not repeated.

7.4 Streaming

The Streaming feature provides the maximum throughput between two nodes. In this mode, the two packet buffers are used to transmit/receive packets by alternating between the two.

The main advantage of this mode is that MCU can perform buffer RW while the packet is being transmitted over the air.

Auto-ACK and Auto-Retransmission are unavailable in this mode. Additionally, CSMA-CA operation is skipped to provide the maximum throughput.

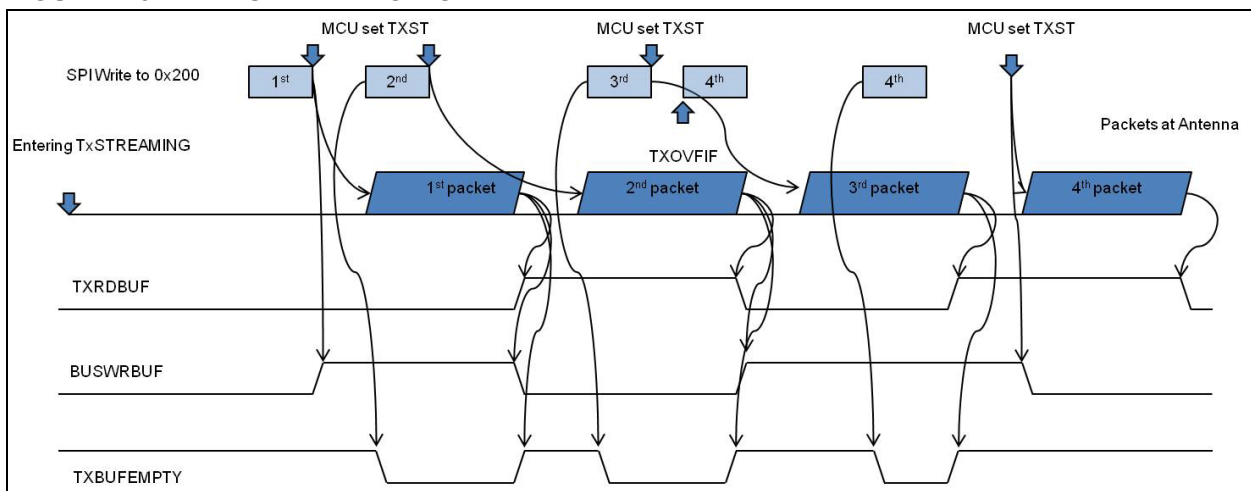
7.4.1 TX

After the initial negotiation (channel, power, security key, and so on), the TX node sets the TRXMODE<1:0> register to 2'b10. The MCU shall write the packets to address 0x200. The switching is handled internally. Note that MCU must write MRF24XA if the TXBUFFEMPTY flag is set. To maximize throughput, "WRITE and set TXST" SPI framing format is recommended.

Note that TXRDBUF, BUSWRBUF, and TXBUFEMPTY signals are the output on the GPIO pins with GPIOMODE = 1010 settings.

Handling buffer empty flag by an additional interrupt is recommended to avoid constant polling over SPI.

FIGURE 7-3: STREAMING MODE TX TIMELINE



MRF24XA

7.4.2 RX

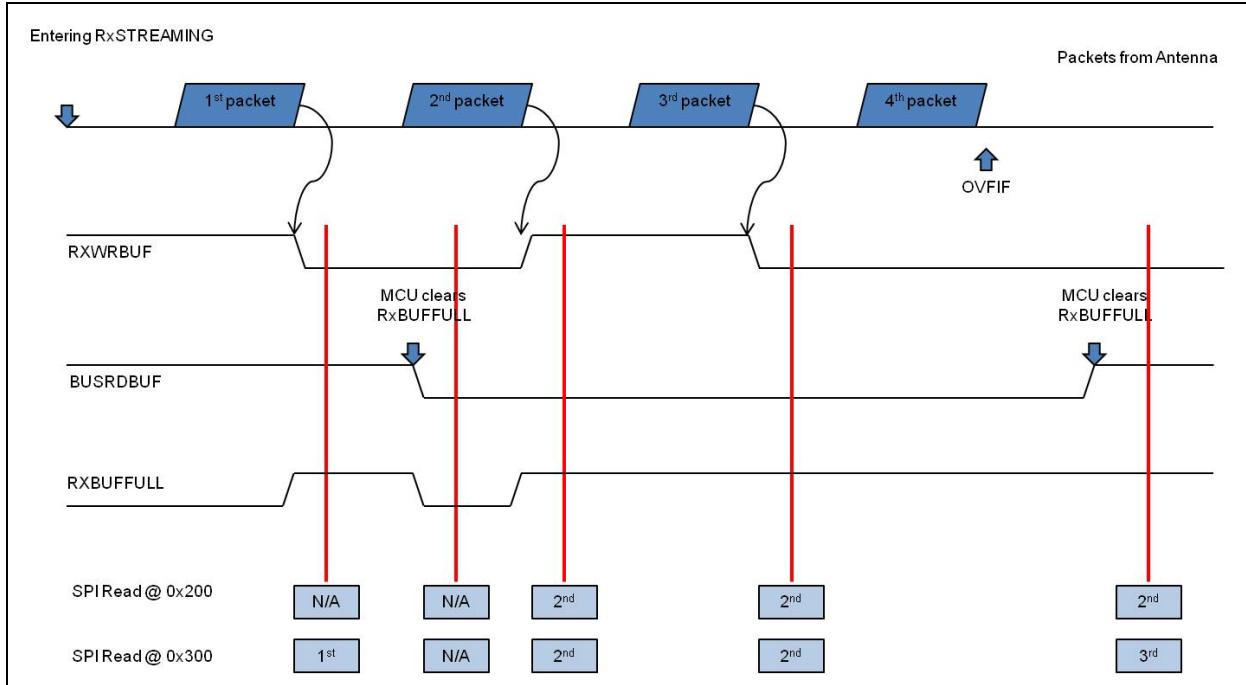
After the initial negotiation (channel, power, security key, and so on), the RX node sets the TRXMODE<1:0> register to 2'b01. The MCU must read the packets from address 0x300. The switching is handled internally. Note that MCU must read MRF24XA when the RXBUFFFULL flag is set. In Streaming mode receiving packets after RXIF do not work. To maximize throughput, "READ and clear RXBUFFFULL" SPI framing format is recommended.

Note that RXWRBUF, BUSRDBUF, and RXBUFFFUL signals are the output on the GPIO pins with GPIOMODE = 1011 settings.

Handling buffer full flag by an additional interrupt is recommended to avoid constant polling over SPI.

To reach optimal sensitivity, turn Power Save (PSAV) off.

FIGURE 7-4: STREAMING RX TIMELINE



7.4.3 STREAM RX TIMEOUT

The radio sets STRMIF to indicate that the time defined in STRMTO register has elapsed.

REGISTER 7-3: PIR3 (PERIPHERAL INTERRUPT REGISTER 3) ADDRESS: 0x06

RW/HS/HC-0	RW/HS/HC-0	RW/HS/HC-0	R-0	RW/HS/HC-0	RW/HS/HC-0	RW/HS/HC-0	RW/HS/HC-0
RXIF	RXDECIF	RXTAGIF	r	RXIDENTIF	RXFLTIF	RXOVFIF	STRMIF
bit 7							bit 0

Legend: R = Readable bit	W = Writable bit	U = Unimplemented bit, read as '0'
-n = Value at POR	'1' = Bit is set	'0' = Bit is cleared
r = Reserved	HC = Hardware Clear	HS = Hardware Set
		x = Bit is unknown

bit 7-1 Out of Scope

bit 0 **STRMIF:** Receive Stream Time-Out Error Interrupt Flag bit

Set by the device to indicate that the duration specified in STRMTO elapsed since the last received packet while in RX-Streaming mode, and the MAC clears the stored sequence number.

Nonpersistent, cleared by SPI read.

Note 1: In Packet mode, use a single buffer for received frames. In RX-Streaming mode, use both buffers for reception.

REGISTER 7-4: TRMTOH/STRMTOL (STREAM TIME-OUT REGISTER) ADDRESS: 0x1C – 0x1D

RW-11111111	
STRMTO<15:8>	
bit 15	bit 8

RW-11111111	
STRMTO<7:0>	
bit 7	bit 0

Legend: R = Readable bit	W = Writable bit	U = Unimplemented bit, read as '0'
-n = Value at POR	'1' = Bit is set	'0' = Bit is cleared
r = Reserved		x = Bit is unknown

bit 15-0 **STRMTO<15:0>:** Stream Time-Out bits

The STRMTO<15:0> bits indicate the maximum number of allowed Base time units between the end of one RX Stream packet and the successful reception of the next. If no RX Stream packet is successfully received within this time, STRMIF is set.

MRF24XA

NOTES:

8.0 BRIDGING

Any member of a Proprietary node may run two stacks and be part of a 15.4 network. This enables the node to act as a gateway between the two networks. As the default configuration, NWFRMFMT = 1. This setting is overridden when it receives a 15.4 frame, but switches back temporarily when it needs to send.

The network is configurable to use proprietary or standard (IEEE 802.15.4) MAC. However, a proprietary network must also be able to send and receive frames to/from standard-compliant networks. This capability is referred to as Bridging.

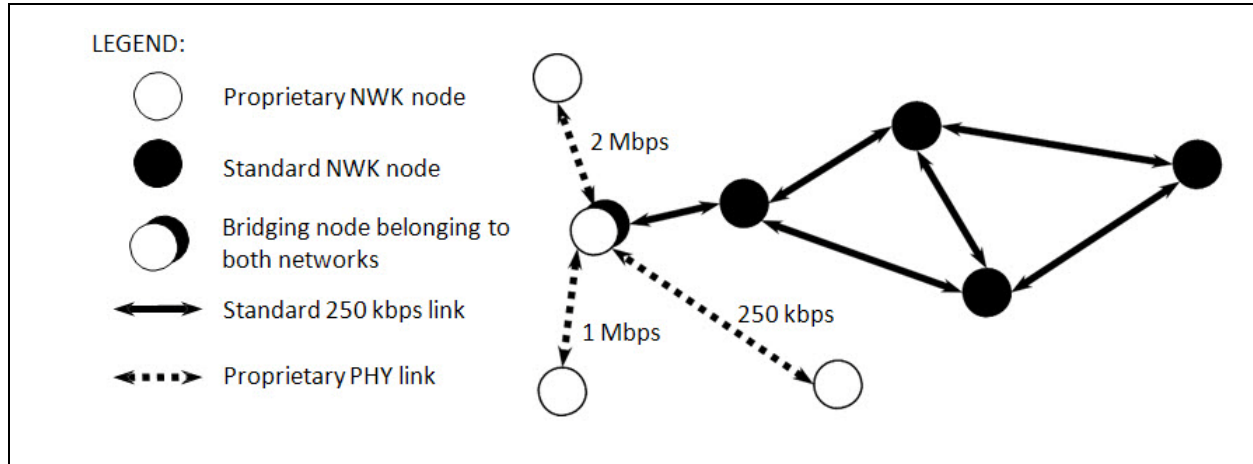
The Bridging node must implement both the proprietary and the standard compliant MAC framing protocols. Each time a 250 kbps frame is received through the Bridging node, it must decide which MAC protocol to use for parsing the incoming frame.

The problem of Bridging is that the 802.15.4 MAC Frame Control field will not allow for distinction in the case of 250 kbps frames. Therefore, the selected SFD is used for distinction. Standard compliant SFD pattern is selected when Standard MAC is used with 250 kbps frame, otherwise, a different SFD value is used.

When the Host MCU (or MAC) selects the 250 kbps air-data-rate for transmission, it also indicates which MAC is used by a sideband signal. The transmitter baseband selects the SFD accordingly. If proprietary MAC is selected, the SFD is read from a host configurable register, otherwise, the standard defined pattern is used (0xA7). Additionally, if proprietary is used, the length and payload fields are scrambled.

On the receiver side, the 250 kbps preamble and the SFD are detected first. This determines which MAC protocol is used to parse the PHY payload.

FIGURE 8-1: BRIDGING



MRF24XA

NOTES:

9.0 PHYSICAL LAYER FUNCTIONS

9.1 Synthesizer Power-Up, Power Off

Table 2-1 illustrates MRF24XA power modes, while Figure 4-3 illustrates the operation states.

RFOFF state is the state when most of the RF circuits are powered off. As Table 2-1 illustrates, RFOFF state is divided into two sub-states. In Crystal ON state, only 16 MHz on-chip crystal oscillator is powered on and the synthesizer is switched off. In Synthesizer ON state, both the on-chip crystal oscillator and the synthesizer are powered on.

MRF24XA provides an OFF-Timer to optimize the power consumption by managing the ON time of the on-chip synthesizer. Before the synthesizer is switched off, RXEN or TXST turns to '0' from '1', the user must set OFFTM<7:0>. The value of the register is interpreted as an OFF time counter. As the counter runs out, synthesizer is started regardless of the state of RXEN and TXST bits.

REGISTER 9-1: OFFTM (OFF-TIMER REGISTER) ADDRESS: 0x1E

RW-00000000	
OFFTM<7:0>	
bit 7	bit 0

Legend: R = Readable bit	W = Writable bit	U = Unimplemented bit, read as '0'
-n = Value at POR	'1' = Bit is set	'0' = Bit is cleared
r = Reserved		x = Bit is unknown

bit 7-0 **OFFTM<7:0>**: OFF-Timer Field bits
 This value sets the minimum PLL OFF time.
 Minimum OFF Time = OFFTM<7:0> * 32 μs
 If this register is set to 0xFF, PLL remains off.

MRF24XA

REGISTER 9-2: RXCON1 (MAC RECEIVE CONTROL 1 REGISTER)

ADDRESS: 0x15

R/W/HC/HS-0	R/W-0	R/W/HC-0	R/W-0	R/W-0	R/W-0	R/W-0	R-0
RXEN	NOPA	RXDEC	RSVLQIEN	RSVRSSIEN	RSVCHDREN	RSVCFOEN	r
bit 7							bit 0

Legend: R = Readable bit	W = Writable bit	U = Unimplemented bit, read as '0'	
-n = Value at POR	'1' = Bit is set	'0' = Bit is cleared	x = Bit is unknown
r = Reserved	HC = Hardware Clear	HS = Hardware Set	

- bit 7 **RXEN:** Receive Enable Field bit
 This bit enables/disables the packet reception. If an RX packet is being received, clearing this bit will cause that packet to be discarded.
 1 = RX enabled
 0 = RX disabled
 Hardware clear/set when:
- Cleared when TRXMODE is set to TX-Streaming mode
 - Set when TRXMODE is set to RX-Streaming mode
- Clearing this bit aborts the current operation in the following cases:
- Receiving a packet in Packet mode or in RX-Streaming mode
- Changes to most RX related settings must be only done when this bit is cleared.
- The clear channel assessment (CSMAEN) and ACK-frame reception does not require RXEN = 1 as the device turns the radio into RX when required, irrespective of the status of the RXEN bit.
- bit 6 **NOPA:** No Parsing bit
 This bit disables packet parsing. Only CRC is checked, if it is enabled. This feature is useful in Sniffer mode.
 1 = Disable packet parsing
 0 = Enable packet parsing
- bit 5 **RXDEC:** RX Decryption bit
 Setting this bit starts RX security processing (authentication or decryption, or both) on the last received packet.
 1 = RX security processing started/in process. RXDECIF or RXTAGIF is set.
 0 = RX security processing inactive or complete
 This bit clears itself after RX decryption has completed.
- bit 4 **RSVLQIEN:** Receive Status Vector LQI Enable bit
 If this bit is set, the measured Link Quality is appended after the received frame in the packet buffer.
 1 = Append LQI field
 0 = Do not append LQI field
- bit 3 **RSVRSSIEN:** Receive Status Vector RSSI Enable bit
 If this bit is set, the measured RSSI is appended after the received frame in the packet buffer.
 1 = Append RSSI field
 0 = Do not append RSSI field
- bit 2 **RSVCHDREN:** Receive Status Vector Channel/MAC Type/Data Rate Enable bit
 If this bit is set, Channel, MAC type and Data Rate configurations used with the received frame are appended after the received frame in the packet buffer, using the encoding specified for CH<3:0>, FRMFMT and DR<2:0> (concatenated in this order when most significant bit (MSb) is first).
 1 = Append Channel, MAC type and Data Rate fields
 0 = Do not append Channel, MAC type and Data Rate fields

REGISTER 9-2: RXCON1 (MAC RECEIVE CONTROL 1 REGISTER) (CONTINUED)

ADDRESS: 0x15

- bit 1 **RSVCFOEN:** Receive Status Vector CFO Enable bit
- If bit is set, the estimated Carrier Frequency Offset of the received frame is appended after the received frame in the packet buffer, using the same encoding as CFOMEAS register.
- 1 = Append CFO estimation
0 = Do not append estimated CFO
- bit 0 Reserved: Maintain as '0'

REGISTER 9-3: TXCON (TRANSMIT CONTROL REGISTER)

ADDRESS: 0x12

RW/HC-0	RW-0	RW/HC-0	R/HS/HC-1	RW-1	RW-011
TXST	DTSM	TXENC	TXBUFEMPTY	CSMAEN	DR<2:0>
bit 7					bit 0

Legend: R = Readable bit	W = Writable bit	U = Unimplemented bit, read as '0'
-n = Value at POR	'1' = Bit is set	'0' = Bit is cleared
r = Reserved	HC = Hardware Clear	HS = Hardware Set
		x = Bit is unknown

- bit 7 **TXST:** Transmit Start bit. This is set or cleared by the host MCU bit^(1, 2)
- 1 = Starts the transmission of the next TX packet
0 = Termination of current TX operation, which may result in the transmission of an incomplete packet.
- Hardware Clear:
- After the packet is successfully transmitted (including all attempted retransmissions, if any), the hardware clears this bit and sets the **TXIF** and **IDLEIF**.
 - If the packet transmission fails due to a CSMA failure, then this bit is cleared, and **TXCSMAIF** is set.
 - If Acknowledge is requested (AckReq bit field in the transmitted frame and **AUTOACKEN** register bit are both set) and not received after the configured number of retransmissions (**TXRETMCNT**), then **TXST** bit is cleared and a **TXACKIF** is set.
 - In TX-Streaming mode (**TRXMODE**), **TXST** is set even when it is already set, resulting in a "posted start". When the current TX operation completes, the "posted start" immediately starts afterward. Clearing of the **TXST** bit clears both the current and the posted (pending) TX starts. **TXOVFIF** is unchanged when **TXST** = 1, a posted start is present and a Host Controller write to the packet buffer occurs. Outside of TX-Streaming mode, writes to **TXST** when **TXST** is already set is ignored.
- Clearing this bit aborts the current operation in the following cases:
- When transmitting a packet in Packet mode or in TX-Streaming mode
 - When waiting for an ACK packet after a transmission
 - During the CSMA CA algorithm
 - When transmitting a repeated frame
- This field is read at any time to determine if the TX operation is in progress.
- bit 6-0 Out of scope

- Note 1:** Transmission may include automatic security processing, CRC appending, CSMA-CA channel access, Acknowledge reception and retransmissions depending on the register Configuration and the Frame Control field of the frame to be transmitted.
- 2:** By setting the **TXST** bit in either Sleep/RFOFF state, the device transits to TX state for packet transmission.

MRF24XA

TABLE 9-1: REGISTERS ASSOCIATED WITH OFF PLL POWER-UP, POWER OFF

Names	Bit 7	Bit 6	Bit 5	Bit 4	Bit 3	Bit 2	Bit 1	Bit 0
OFFTM	OFFTM<7:0>							
RXCON1	RXEN	NOPA	RXDEC	RSVLQIEN	RSVRSSIEN	RSVCHDREN	RSVCFOEN	r
TXCON	TXST	DTSM	TXENC	TXBUFEMPTY	CSMAEN	DR<2:0>		

Legend: r = Reserved, read as '0'.

9.2 Operating Channel

MRF24XA is capable of selecting one of sixteen channel frequencies in the 2.4 GHz band.

The desired channel is selected by configuring the CHANNEL<3:0> bits in the MACCON2 register. Refer to [Table 9-2](#) for the MACCON2 register setting for channel number and frequency.

If Channel Agility is not used, all nodes share the same channel both in RX and TX modes. The channel is defined by CHANNEL<3:0> as indicated below.

For more information on Channel Agility, see [Section 7.1 “Channel Agility”](#).

REGISTER 9-4: MACCON2 (MAC CONTROL 2 REGISTER)

ADDRESS: 0x11

R/W-0000				R/W/HS-0000			
CHANNEL<3:0>				SECSUITE<3:0>			
bit 7				bit 0			

Legend: R = Readable bit W = Writable bit U = Unimplemented bit, read as '0'
 -n = Value at POR '1' = Bit is set '0' = Bit is cleared x = Bit is unknown
 r = Reserved

bit 7-4 **CHANNEL<3:0>**: TX/RX Operating Channel field bits⁽¹⁾

These register bits are used as the current operating channel for TX/RX operation.

- 0x0 = Channel 11
- 0x1 = Channel 12
-
-
-
- 0xF = Channel 26

bit 3-0 Out of scope

Note 1: Use this field while receiving and transmitting, and must be unmodified while RXEN or TXST is set.

TABLE 9-2: CHANNEL SELECTION MACCON2 (0x11) REGISTER SETTING

CHANNEL<3:0> Bits in MACCON2	Channel Number	Channel Frequency
0x0	11	2.405 GHz
0x1	12	2.410 GHz
0x2	13	2.415 GHz
0x3	14	2.420 GHz
0x4	15	2.425 GHz
0x5	16	2.430 GHz
0x6	17	2.435 GHz

CHANNEL<3:0> Bits in MACCON2	Channel Number	Channel Frequency
0x7	18	2.440 GHz
0x8	19	2.445 GHz
0x9	20	2.450 GHz
0xA	21	2.455 GHz
0xB	22	2.460 GHz
0xC	23	2.465 GHz
0xD	24	2.470 GHz
0xE	25	2.475 GHz
0xF	26	2.480 GHz

REGISTER 9-5: RXCON1 (MAC RECEIVE CONTROL 1 REGISTER)
ADDRESS: 0x15

RW/HC/HS-0	RW-0	RW/HC-0	RW-0	RW-0	RW-0	RW-0	R-0
RXEN	NOPA	RXDEC	RSVLQIEN	RSVRSSIEN	RSVCHDREN	RSVCFOEN	r
bit 7							bit 0

Legend: R = Readable bit	W = Writable bit	U = Unimplemented bit, read as '0'
-n = Value at POR	'1' = Bit is set	'0' = Bit is cleared
r = Reserved	HC = Hardware Clear	HS = Hardware Set
		x = Bit is unknown

bit 7 **RXEN:** Receive Enable bit^(1, 2)

This bit Enables/Disables the packet reception. If an RX packet is being received, clearing this bit causes that packet to be discarded.

1 = RX enabled
0 = RX disabled

Hardware clear/set when:

- Cleared when TRXMODE is set to TX-Streaming mode
- Set when TRXMODE is set to RX-Streaming mode

Clearing this bit aborts the current operation in the following cases:

- Receiving a packet in Packet mode or in RX-Streaming mode
- Transmitting an ACK packet for a received frame during an Auto-Acknowledge operation

bit 6-0 Out of scope

- Note 1:** Changes to most RX related settings must be only done when this bit is cleared.
- Note 2:** Clear channel assessment (CSMAEN) and ACK-frame reception does not require RXEN = 1 as the device turns the radio into RX when needed, irrespective of the status of the RXEN bit.

MRF24XA

REGISTER 9-6: RXCON2 (MAC RECEIVE CONTROL 2 REGISTER)

ADDRESS: 0x16

R/C/HS-0	R/W-0	R-0	R/W-0	R/W-0	R/W-0	R/W-0	R/W-0
RXBUFFERFUL	IDENTREJ	ACKRXFP	ACKTXFP	AUTORPTEN	AUTOACKEN	ADPTCHEN	ADPTDREN
bit 7							bit 0

Legend: R = Readable bit	W = Writable bit	U = Unimplemented bit, read as '0'
-n = Value at POR	'1' = Bit is set	'0' = Bit is cleared
r = Reserved	HS = Hardware Set	C = Clearable bit
		x = Bit is unknown

bit 7-2 Out of scope

bit 1 **ADPTCHEN:** Adaptive Channel Enable bit⁽¹⁾

Setting this bit enables the MAC to set the transmitting channel for the ACK packet based on the Ack-Info field (Proprietary packet) of the received packet, rather than the **CH<3:0>** register bits.

- 1 = Adaptive Channel feature is enabled
- 0 = Adaptive Channel feature is disabled

bit 0 **ADPTDREN:** Adaptive Data Rate Enable bit⁽¹⁾

Setting this bit enables the MAC to set the transmission data rate for the ACK packet based on the AckInfo field (Proprietary packet) of the received packet, rather than the **DR<2:0>** register bits.

- 1 = Adaptive Data Rate feature is enabled
- 0 = Adaptive Data Rate feature is disabled

Note 1: Use this field while receiving and transmitting, and must be unmodified while **RXEN** or **TXST** is set.

TABLE 9-3: REGISTERS ASSOCIATED WITH CHANNEL SELECTION

Names	Bit 7	Bit 6	Bit 5	Bit 4	Bit 3	Bit 2	Bit 1	Bit 0
MACCON2	CHANNEL<3:0>				SECSUITE<3:0>			
RXCON1	RXEN	NOPA	RXDEC	RSVLQIEN	RSVRSSIEN	RSVCHDREN	RSVCFOEN	r
RXCON2	RXBUFFERFUL	IDENTREJ	ACKRXFP	ACKTXFP	AUTORPTEN	AUTOACKEN	ADPTCHEN	ADPTDREN

Legend: r = Reserved, read as '0'.

9.3 RXLISTEN Operations

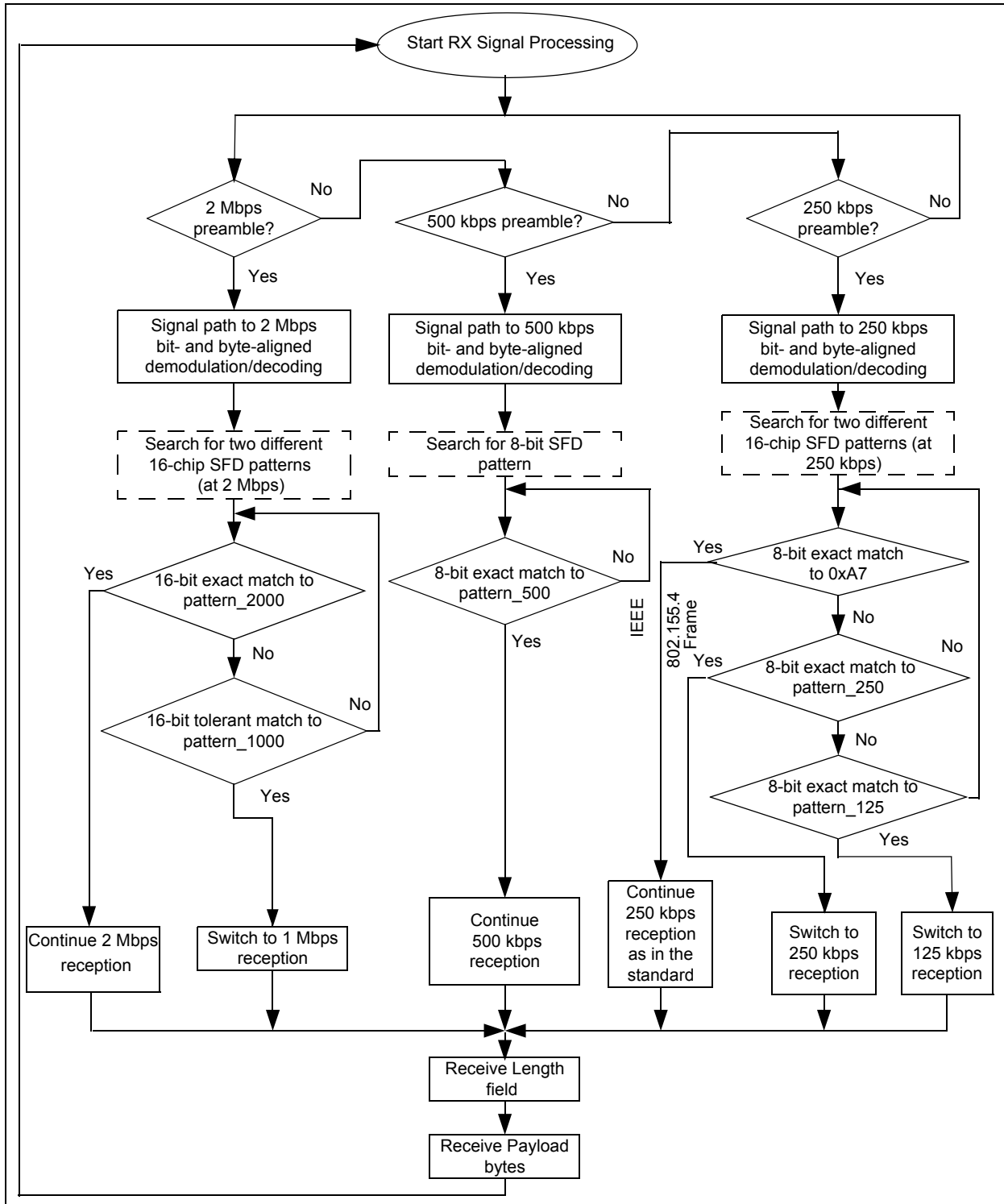
The air-data-rate is detected in two stages:

1. Simultaneously monitoring the presence of 2 Mbps, 500 kbps, 250 kbps modulated preambles until one of these is detected with sufficient reliability.
2. Searching for a Start Frame Delimiter that may further distinguish between air-data-rates.

Figure 9-1 and Figure 9-2 show the order of processing steps and decisions for the Optimal and Legacy frame formats.

MRF24XA

FIGURE 9-1: DATA RATE SELECTION IN THE RECEIVER WHEN OPTIMAL FRAMING MODE IS CONFIGURED



MRF24XA

FIGURE 9-2: DATA RATE SELECTION IN THE RECEIVER WHEN LEGACY FRAMING MODE IS CONFIGURED

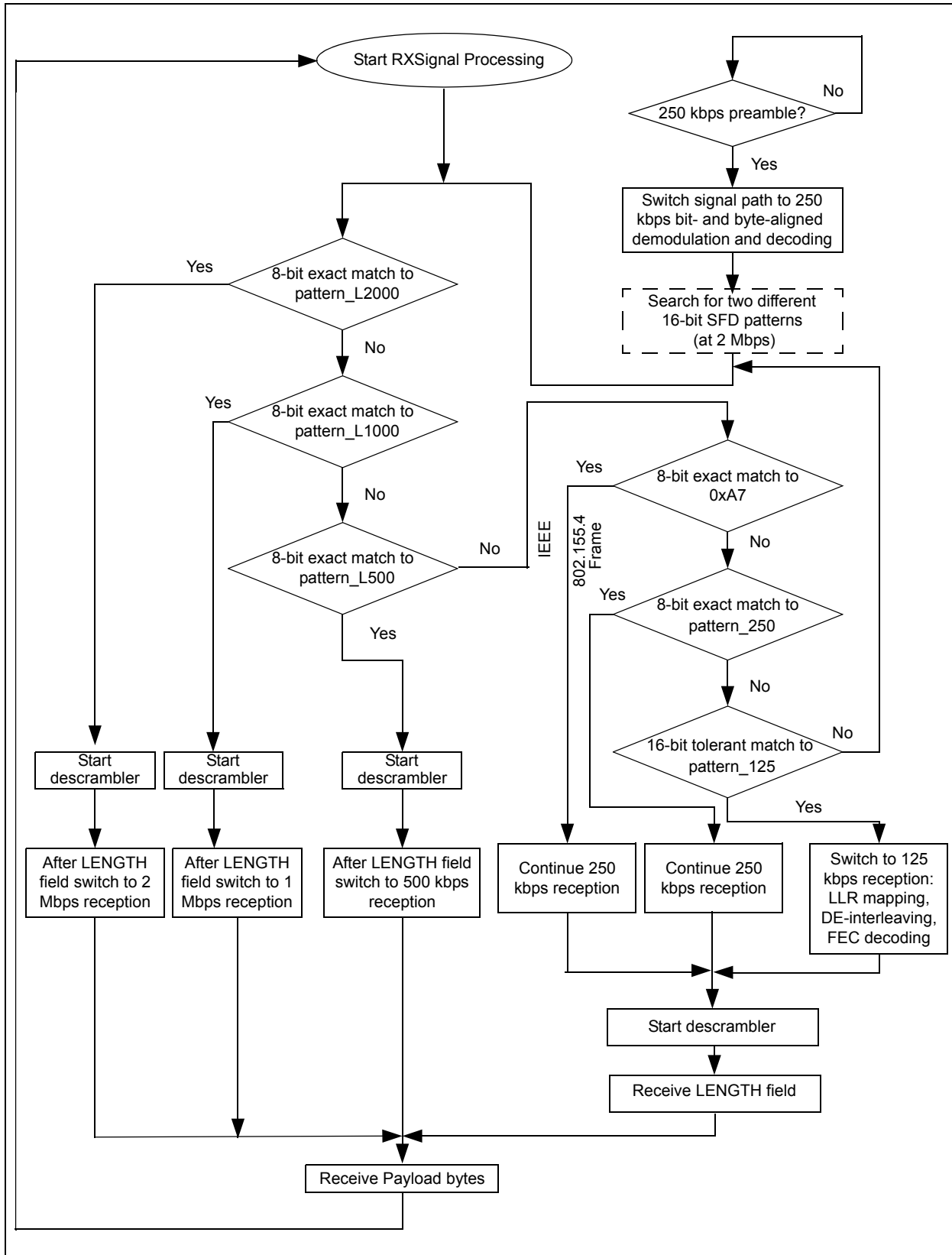
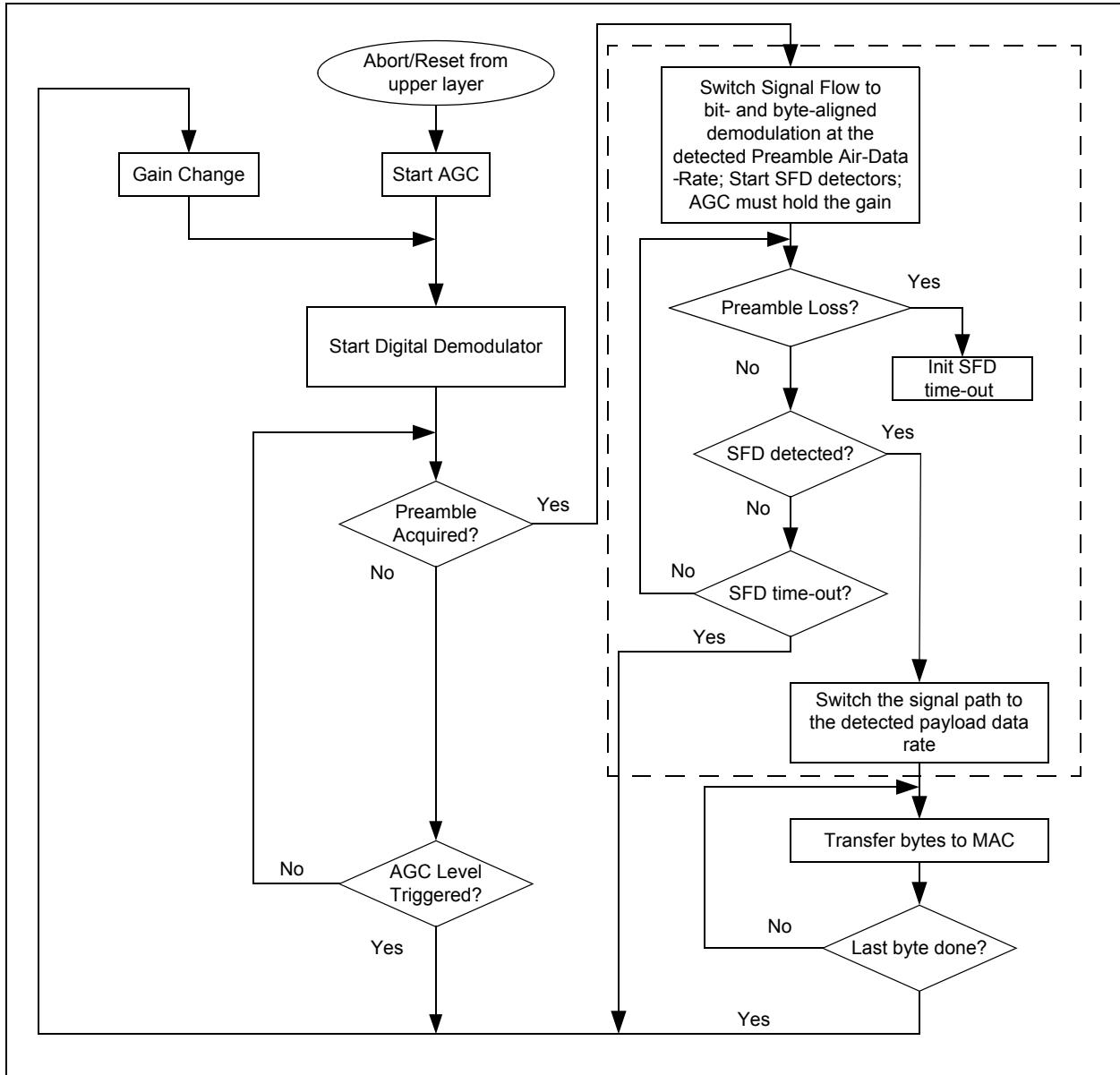


FIGURE 9-3: PHYSICAL RECEIVER OPERATION: OVERVIEW



MRF24XA

9.4 Automatic Gain Control (AGC)

AGC circuit can provide automatic gain adjustment according to the Received field strength. AGC gain is set in four steps.

REGISTER 9-7: BBCON (BASEBAND CONFIGURATION REGISTER)

ADDRESS **0x38**

R/W-0	R/W-0	R/W-11	R/W-0	R/W-001
RNDMOD	AFCOVR	RXGAIN<1:0>	PRMBHOLD	PRMBSZ<2:0>
bit 7				bit 0

Legend: W = Writable bit R = Readable bit U = Unimplemented bit, read as '0'
-n = Value at POR '1' = Bit is set '0' = Bit is cleared x = Bit is unknown
r = Reserved

bit 7 Out of scope

bit 6 Out of scope

bit 5-4 **RXGAIN<1:0>**: Receiver Gain Register Field bits

By setting this bit, the AGC operation is inhibited in the receiver and the receiver radio gain Configuration is selected between three different gain levels. Encoding:

11 = AGC operation is enabled (default value)

10 = High gain

01 = Middle gain

00 = Low gain

This feature is used for test and streaming purposes. To reduce the required interframe-gap, the RXGAIN must be set to one of the fixed gain options when the MAC is in Streaming mode.

bit 3-0 Out of scope

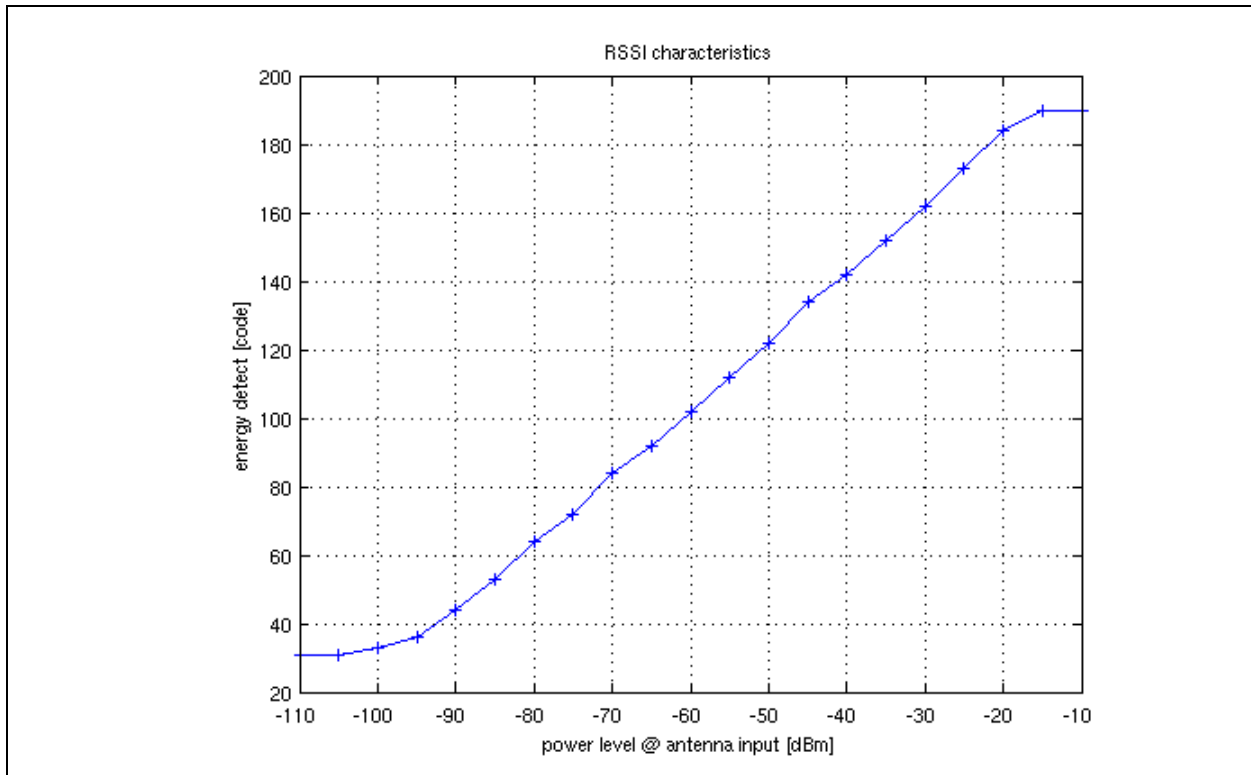
9.5 Energy Detection

The Received Signal Strength Indicator (RSSI) is an estimate of the received signal power within the bandwidth of a particular channel, and obtained by the user using Energy Detection (ED). MRF24XA has the capability to measure the received signal power for a user-defined number of symbols, and to report back the measured RSSI value.

The mapping between the RSSI value returned and the input power level is shown in [Figure 9-4](#). This aggregates all the AGC curves, hence user does not require to calculate with any other settings. The curve is directly used.

The RSSI value associated with a received packet may also be automatically stored as part of the packet's Receive Status Vector (RSV).

FIGURE 9-4: RSSI VALUE VS. RECEIVED POWER



EQUATION 9-1: RSSI VALUE VS. RECEIVED POWER EQUATION

$$Pin = 0.5 * Energy\ Detect\ Code^{(1)} - 112 <dBm>^{(2)}$$

Note 1: Energy Detect Code is read from EDMEAN<7:0> field.

2: [Equation 9-1](#) is valid for EDMEAN<7:0> from 40 to 184 decimal values.

MRF24XA

REGISTER 9-8: RXCON1 (MAC RECEIVE CONTROL 1 REGISTER)

ADDRESS: 0x15

R/W/HC/HS-0	R/W-0	R/W/HC-0	R/W-0	R/W-0	R/W-0	R/W-0	R-0
RXEN	NOPA	RXDEC	RSVLQIEN	RSVRSSIEN	RSVCHDREN	RSVCFOEN	r
bit 7							bit 0

Legend: R = Readable bit	W = Writable bit	U = Unimplemented bit, read as '0'
-n = Value at POR	'1' = Bit is set	'0' = Bit is cleared
r = Reserved	HC = Hardware Clear	HS = Hardware Set
		x = Bit is unknown

- bit 7 **RXEN:** Receive Enable Field bit
- This bit Enables/Disables the packet reception. If an RX packet is currently being received, clearing this bit causes that packet to be discarded.
- 1 = RX enabled
0 = RX disabled
- Hardware clear/set when:
- Cleared when TRXMODE is set to TX-Streaming mode
 - Set when TRXMODE is set to RX-Streaming mode
- Clearing this bit aborts the current operation in the following cases:
- Receiving a packet in Packet mode or in RX-Streaming mode
- Changes to most RX related settings must be only done when this bit is cleared.
- The clear channel assessment (CSMAEN) and ACK-frame reception does not require RXEN = 1 as the device turns the radio into RX when needed, irrespective of the status of the RXEN bit.
- bit 6 **NOPA:** No Parsing bit
- This bit disables packet parsing. Only CRC is checked, if it is enabled. This feature is useful in Sniffer mode.
- 1 = Disable packet parsing
0 = Enable packet parsing
- bit 5 **RXDEC:** RX Decryption bit
- Setting this bit starts RX security processing (authentication or decryption, or both) on the last received packet.
- 1 = RX security processing started/in process. RXDECIF or RXTAGIF is set.
0 = RX security processing inactive or complete
- This bit clears itself after RX decryption is completed.
- bit 4 **RSVLQIEN:** Receive Status Vector LQI Enable bit
- If this bit is set, the measured Link Quality is appended after the received frame in the packet buffer.
- 1 = Append LQI field
0 = Do not append LQI field
- bit 3 **RSVRSSIEN:** Receive Status Vector RSSI Enable bit
- If this bit is set, the measured RSSI is appended after the received frame in the packet buffer.
- 1 = Append RSSI field
0 = Do not append RSSI field

REGISTER 9-8: RXCON1 (MAC RECEIVE CONTROL 1 REGISTER) (CONTINUED)

ADDRESS: 0x15

- bit 2 **RSVCHDREN:** Receive Status Vector Channel/MAC Type/Data Rate Enable bit
 If this bit is set, Channel, MAC type and Data Rate configurations used with the received frame are appended after the received frame in the packet buffer, using the encoding specified for CH<3:0>, FRMFMT and DR<2:0> (concatenated in this order when MSb is first).
 1 = Append Channel, MAC type and Data Rate fields
 0 = Do not append Channel, MAC type and Data Rate fields
- bit 1 **RSVCFEOEN:** Receive Status Vector CFO Enable bit
 If bit is set, the estimated Carrier Frequency Offset of the received frame is appended after the received frame in the packet buffer, using the same encoding as CFOMEAS register.
 1 = Append CFO estimation
 0 = Do not append estimated CFO
- bit 0 **Reserved:** Maintain as '0'

REGISTER 9-9: CCACON1 (CCA CONTROL 1 REGISTER)

ADDRESS: 0x2F

R/HS/HC-0	RW/HC-0	R/W-001100
CCABUSY	CCAST	RSSITHR<5:0>
bit 7		bit 0

Legend: R = Readable bit	W = Writable bit	U = Unimplemented bit, read as '0'
-n = Value at POR	'1' = Bit is set	'0' = Bit is cleared
r = Reserved	HC = Hardware Clear	HS = Hardware Set
		x = Bit is unknown

- bit 7 **CCABUSY:** Clear Channel Assessment Busy Flag bit
 This bit represents the result of the latest CCA measurement.
 1 = Medium is busy
 0 = Medium is silent
- bit 6 **CCAST:** Clear Channel Assessment Start bit⁽¹⁾
 Setting this register bit triggers MCU to start a new CCA measurement. The hardware clears this bit when the CCA measurement is done (EDCCAIF is set) and CCABUSY is valid.
- bit 5-0 **RSSITHR<5:0>:** RSSI Threshold bits⁽²⁾
 This threshold is used in CCA operation when Energy detect or Energy and Carrier Sense mode is selected.
 Representation: resolution of 2 dB/LSB, RSSITHR = 0x10 represents ca. -75 dBm noise level. Note that this threshold may be different with other matching network or antenna.

Note 1: RX chain must be turned on (RXEN = 1) to perform this measurement. Packet reception is not disabled during the measurement, its main purpose is testing.

2: In the corresponding CCA modes the radio measures EDMEAN<7:0>. If EDMEAN<7:2> is greater than RSSITHR<5:0>, CCABUSY is set. Example: To set the RSSI threshold where the chip measures 0x30 EDMEAN, RSSITHR<5:0> must be 0x0C.

MRF24XA

REGISTER 9-10: EDCON (ENERGY DETECT CONTROL REGISTER)^(1, 2)

ADDRESS: 0x31

R-00	RW-0	RW/HC-0	RW-1110
r	EDMODE	EDST	EDLEN<3:0>
bit 7			bit 0

Legend: R = Readable bit W = Writable bit U = Unimplemented bit, read as '0'
 -n = Value at POR '1' = Bit is set '0' = Bit is cleared x = Bit is unknown
 r = Reserved HC = Hardware Clear

bit 7-6 **Reserved:** Maintain as '0'

bit 5 **EDMODE:** Energy Detect Mode Select bit

1 = Energy Detect Sampling Mode. ED duration is 128 μ s. A single atomic RSSI-peak measurement is accomplished. The result is stored in EDPEAK<7:0> register.

0 = Energy Detect Scan Mode. EDLEN<3:0> sets the ED duration. The result is stored in EDMEAN<7:0> register.

bit 4 **EDST:** Energy Detect Measurement Start bit

Setting this register bit triggers MCU to start a new CCA measurement. The hardware clears this register bit when the ED measurement is done (EDCCAIF is unchanged) and values in EDMEAN<7:0> and EDPEAK<7:0> are valid.

If the ED measurement is aborted (RX state is changed, or the MCU clears the EDST bit) then EDC-CAIF is unchanged.

bit 3-0 **EDLEN<3:0>:** Energy Detect Measurement Length Field bits

Value M indicates a sequence of $(M + 1) * 8$ atomic RSSI-peak measurements, each having the duration of 128 μ s. At the end of the aggregate measurement, the mean and the peak value of the sequence are available in EDMEAN<7:0> and EDPEAK<7:0>.

Note 1: The RX chain must be turned on (RXEN = 1) to perform this measurement. Packet reception is disabled during the measurement.

2: When EDLEN<3:0> = $M = 0xE$, then the 128 μ s atomic measurements are performed 120 times, which is equal to the a BaseSuperFrameDuration parameter in the IEEE 802.15.4 standard.

REGISTER 9-11: EDMEAN (ENERGY DETECT MEAN INDICATION REGISTER)

ADDRESS: 0x32

R/HS/HC-00000000
EDMEAN<7:0>
bit 7
bit 0

Legend: R = Readable bit W = Writable bit U = Unimplemented bit, read as '0'
 -n = Value at POR '1' = Bit is set '0' = Bit is cleared x = Bit is unknown
 r = Reserved HC = Hardware Clear HS = Hardware Set

bit 7-0 **EDMEAN<7:0>:** Energy Detect Mean Indication Field bits

Measured mean signal strength during ED/CCA measurement.

REGISTER 9-12: EDPEAK (ENERGY DETECT PEAK INDICATION REGISTER) ADDRESS: 0x33

R/HS/HC-00000000	
EDPEAK<7:0>	
bit 7	bit 0

Legend: R = Readable bit W = Writable bit U = Unimplemented bit, read as '0'
 -n = Value at POR '1' = Bit is set '0' = Bit is cleared x = Bit is unknown
 r = Reserved HC = Hardware Clear HS = Hardware Set

bit 7-0 **EDPEAK<7:0>**: Energy Detect Peak Indication Field bits
 Measured peak signal strength during ED measurement.
 Computation: The gain-compensated RSSI value is averaged over intervals of 128 μ s. The peak value obtained from a sequence of such measurements is stored in EDPEAK, when EDMODE = 1.

TABLE 9-4: REGISTERS ASSOCIATED WITH RSSI AND ED

Names	Bit 7	Bit 6	Bit 5	Bit 4	Bit 3	Bit 2	Bit 1	Bit 0
RXCON1	RXEN	NOPA	RXDEC	RXVLQIEN	RSVRSSIEN	RSVCHDREN	RSVCFOEN	r
CCACON1	CCABUSY	CCAST	RSSITHR<5:0>					
EDCON	r		EDMODE	EDST	EDLEN<3:0>			
EDMEAN	EDMEAN<7:0>							
EDPEAK	EDPEAK<7:0>							

Legend: r = Reserved, read as '0'.

MRF24XA

9.6 Clear Channel Assessment (CCA)

Clear Channel Assessment is a function within CSMA/CA to determine whether the wireless medium is ready and able to receive data, therefore the transmitter can start sending the data.

CCA is implemented outside of the MAC. This enables the radio to transmit in the presence of interference from other wireless protocols that operate on the same frequency.

CCA may be performed using either Energy Detection (ED), Carrier Sense (CS) or a combination of both.

9.6.1 CCA CONFIGURATION

CCA is automatically executed (potentially multiple times) as part of the CSMA-CA procedure when the TXST register bit is set and CSMA-CA is enabled.

The following register bits are used in the Configuration of CCA:

- CCAMODE<1:0>
- CCALEN<1:0>
- CSTHR<3:0>
- RSSITHR<5:0>

9.6.1.1 Energy Detection (ED)

When CCAMODE<1:0> = 10, the CCA reports a busy medium upon detecting energy above the energy detection threshold defined in the RSSITHR<5:0> register bits.

To use this method of CCA, the following Configuration must be used:

- CCALEN<1:0> = Measurement duration
- CCAMODE<1:0> = 10
- RSSITHR<5:0> = RSSI threshold value

The mapping between the RSSITHR threshold and the power level is shown in [Figure 9-4](#) and [Equation 9-1](#).

9.6.1.2 Carrier Sense (CS)

When CCAMODE<1:0> = 01, the CCA reports a busy medium upon detecting of a signal with particular modulation and spreading characteristics.

To use this method of CCA, the following Configuration must be used:

- CCALEN<1:0> = Measurement duration
- CCAMODE<1:0> = 01
- CSTHR<3:0> = Carrier sense threshold

9.6.1.3 Carrier Sense with Energy Detection

When CCAMODE<1:0> = 11, the CCA reports a busy medium upon detecting of a signal with particular modulation and spreading characteristics and energy above the energy detection threshold defined in the RSSITHR<5:0> register bits. To use this method of CCA, the following Configuration must be used:

- CCALEN<1:0> = Measurement duration
- CCAMODE<1:0> = 11
- RSSITHR<5:0> = RSSI threshold value
- CSTHR<3:0> = Carrier sense threshold

Note: In the corresponding CCA modes the radio measures EDMEAN<7:0>. If EDMEAN<7:2> is greater than RSSITHR<5:0>, CCABUSY is set. Example: To set the RSSI threshold where the chip measures 0x30 EDMEAN, RSSITHR<5:0> must be 0x0C.

9.6.2 CCA OPERATION

MRF24XA automatically initiates CCA as part of the CSMA-CA algorithm. CCA operation is requested independently for software CSMA-CA, or for test purpose through the CCAST bit.

REGISTER 9-13: OPSTATUS (OPERATION STATUS)⁽³⁾
ADDRESS: 0x2

R-0	R/HS/HC-0	R/HS/HC-0	R/HS/HC-0	R/HS/HC-0	R/HS/HC-0	R/HS/HC-0	R/HS/HC-0
r	MACOP<3:0>				RFOP<2:0>		
bit 7							bit 0

Legend: R = Readable bit	W = Writable bit	U = Unimplemented bit, read as '0'	
-n = Value at POR	'1' = Bit is set	'0' = Bit is cleared	x = Bit is unknown
r = Reserved	HC = Hardware Clear	HS = Hardware Set	

bit 7 **Reserved:** Maintain as '0'

bit 6-3 **MACOP <3:0>:** MAC Operation Register Field bits^(1, 2)

Provides status information on the current state of the MAC state machine. Encoding on MACOP<3:1>:

- 111 = Transmitting Acknowledge (TXACK)
- 110 = Receiving a packet (RXBUSY)
- 101 = Receiver listening to the channel waiting for packet (RX)
- 100 = Receiving (or waiting for) Acknowledge (RXACK)
- 011 = Transmitting a packet (TX)
- 010 = Performing Clear Channel Assessment (CCA)
- 001 = Back-off before repeated CCA (BO)
- 000 = MAC does not perform any operation (IDLE)

bit 2-0 **RFOP <2:0>:** Radio Operation Register Field bits

Provides status information on the current Radio state. Encoding on RFOP<2:0>:

- 111 = TX with external PA is turned on (TX+PA)
- 110 = RX with external LNA is turned on (RX+LNA)
- 101 = Synthesizer and external PA or LNA is turned on (SYNTH+PA/LNA)
- 100 = Radio calibrates if the host MCU sets the CALST, otherwise, device malfunction occurs (CAL/MAL)
- 011 = Analog transmit chain is activated (TX)
- 010 = Analog receiver chain is active (RX). (Digital may be partially shut off)
- 001 = Synthesizer is steady or ramping up or channel change is issued (SYNTH)
- 000 = Only the crystal oscillator is ON(OFF), (except when XTALSF = 1)

Note 1: GPIO<2:0> is dedicated to output MACOP<3:1> or RFOP<2:0>. Refer to PINCON register, which specifies the pin Configuration.

2: MACOP<0> is connected to RXBUFFFUL register bit. It cannot be output over GPIO's.

3: OPSTATUS register is sent on the SDO pin during all SPI operation.

MRF24XA

REGISTER 9-14: CCACON1 (CCA CONTROL 1 REGISTER)

ADDRESS: 0x2F

R/HS/HC-0	RW/HC-0	R/W-001100
CCABUSY	CCAST	RSSITHR<5:0>
bit 7		bit 0

Legend: R = Readable bit	W = Writable bit	U = Unimplemented bit, read as '0'
-n = Value at POR	'1' = Bit is set	'0' = Bit is cleared
r = Reserved	HC = Hardware Clear	HS = Hardware Set
		x = Bit is unknown

- bit 7 **CCABUSY:** Clear Channel Assessment Busy Flag bit
 This bit represents the result of the latest CCA measurement.
 1 = Medium is busy
 0 = Medium is silent
- bit 6 **CCAST:** Clear Channel Assessment Start bit⁽¹⁾
 Setting this register bit triggers MCU to start a new CCA measurement. The hardware clears this bit when the CCA measurement is done (EDCCAIF is set) and CCABUSY is valid.
- bit 5-0 **RSSITHR<5:0>:** RSSI Threshold bits⁽²⁾
 This threshold is used in CCA operation when Energy detect or Energy and Carrier Sense mode is selected.
 Representation: resolution of 2 dB/LSB, RSSITHR = 0x10 represents ca. -75 dBm noise level. Note that this threshold may be different with other matching network or antenna.
- Note 1:** RX chain must be turned on (RXEN = 1) to perform this measurement. Packet reception is not disabled during the measurement, and main purpose is testing.
- 2:** In the corresponding CCA modes the radio measures EDMEAN<7:0>. If EDMEAN<7:2> is greater than RSSITHR<5:0>, CCABUSY is set. Example: To set the RSSI threshold where the chip measures 0x30 EDMEAN, RSSITHR<5:0> must be 0x0C.

REGISTER 9-15: CCACON2 (CCA CONTROL 2 REGISTER)

ADDRESS: 0x30

R-0	RW-01	R/W-01
CSTHR<3:0>	CCALEN<1:0>	CCAMODE<1:0>
bit 7		bit 0

Legend: R = Readable bit	W = Writable bit	U = Unimplemented bit, read as '0'
-n = Value at POR	'1' = Bit is set	'0' = Bit is cleared
r = Reserved		x = Bit is unknown

- bit 7-4 **CSTHR<3:0>:** Carrier Sense Threshold Field bits
- bit 3-2 **CCALEN<1:0>:** Clear Channel Assessment Length bits⁽¹⁾
 Value N indicates duration of 2^N * 32 μs.
- bit 1-0 **CCAMODE<1:0>:** Clear Channel Assessment Mode Field bits⁽²⁾
 11 = CCA Mode 3/a in the std. <1>: Energy AND Carrier Sense Threshold
 10 = CCA Mode 2 in the std. <1>: Carrier Sense Threshold
 01 = CCA Mode 1 in the std. <1>: Energy Detect Threshold (default)
 00 = CCA Mode 3/b in the std. <1>: Energy OR Carrier Sense Threshold
- Note 1:** The IEEE 802.15.4 standard requires 128 μs. But shorter length is recommended when using higher rates with optimized Preamble mode (RATECON.OPTIMAL = 1).
- 2:** The measured RSSI result is stored in EDMEAN<7:0> register in all modes except in Mode 2.

REGISTER 9-16: EDMEAN (ENERGY DETECT MEAN INDICATION REGISTER) ADDRESS: 0x32

R/HS/HC-00000000	
EDMEAN<7:0>	
bit 7	bit 0

Legend: R = Readable bit W = Writable bit U = Unimplemented bit, read as '0'
 -n = Value at POR '1' = Bit is set '0' = Bit is cleared x = Bit is unknown
 r = Reserved HC = Hardware Clear HS = Hardware Set

bit 7-0 **EDMEAN<7:0>**: Energy Detect Mean Indication Field bits
 Measured mean signal strength during ED/CCA measurement.

TABLE 9-5: REGISTERS ASSOCIATED WITH CCA

Names	Bit 7	Bit 6	Bit 5	Bit 4	Bit 3	Bit 2	Bit 1	Bit 0
OPSTATUS	r	MACOP<3:0>			RFOP<2:0>			
CCACON1	CCABUSY	CCAST	RSSITHR<5:0>					
CCACON2	CSTHR<3:0>			CCALEN<1:0>		CCAMODE<1:0>		
EDMEAN	EDMEAN<7:0>							

Legend: r = Reserved, read as '0'.

MRF24XA

9.7 Physical Framing

Physical frame durations for the different data rates are shown in [Table 9-6](#). Duration is expressed in payload byte time.

TABLE 9-6: FRAME DURATION

Frame Formats	T [μ s/byte]	Duration expressed in payload byte time (T)			
		Preamble	SFD	Length	PHY payload
Proprietary 125 kbps	64	4	1	1	N
Standard 250 kbps	32	4	1	1	N
Proprietary 500 kbps	16	4	1	1	N
Proprietary 1 Mbps	8	4	1	1	N
Proprietary 2 Mbps	4	8	2	1	N

Different frame data rates are recognized and processed based on the recognized SFD field of the PHY frame. [Figure 4-7](#) describes the basic PHY frame structure. RATECON<7:2> bits can disable the reception of the unwanted data rate frames.

TABLE 9-7: USED SFD FIELDS FOR VARIOUS DATA RATES

Preamble Type	Data Rate Pattern	Used SFD Field	Fault Tolerance
Optimal	Pattern_2000	<SFD1, SFD6>	Exact match required
	Pattern_1000	<SFD2, SFD7>	Maximally two non-contiguous two-element burst error
	Pattern_500	SFD3	Exact match required
	Pattern_250 proprietary	SFD4	Exact match required
	Pattern_250 standard	0xA7	Exact match required
	Pattern_125	<SFD5, SFD6>	Maximally two faulty nibbles from four
Legacy	Pattern_2000	SFD1	Exact match required
	Pattern_1000	SFD2	Exact match required
	Pattern_500	SFD3	Exact match required
	Pattern_250 proprietary	SFD4	Exact match required
	Pattern_250 standard	0xA7	Exact match required
	Pattern_125	<SFD5, SFD6>	—

REGISTER 9-17: RATECON (RATE CONFIGURATION REGISTER)
ADDRESS: 0x36

R/W-0	R/W-0	R/W-0	R/W-0	R/W-0	R/W-0	R/W-1	R/W-1
DIS2000	DIS1000	DIS500	DIS250	DISSTD	DIS125	OPTIMAL	PSAV
bit 7							bit 0

Legend: R = Readable bit	W = Writable bit	U = Unimplemented bit, read as '0'
-n = Value at POR	'1' = Bit is set	'0' = Bit is cleared
r = Reserved		x = Bit is unknown

- bit 7 **DIS2000:** Disable 2 Mbps Frame Reception bit
If this bit is set, then reception of 2 Mbps frames is disabled.
- bit 6 **DIS1000:** Disable 1 Mbps Frame Reception bit
If this bit is set, then reception of 1 Mbps frames is disabled.
- bit 5 **DIS500:** Disable 500 kbps Frame Reception bit
If this bit is set, then reception of 500 kbps frames is disabled.
- bit 4 **DIS250:** Disable 250 kbps Frame Reception bit
If this bit is set, the reception of 250 kbps frames with non-standard-compliant SFD patterns is disabled.
- bit 3 **DISSTD:** Disable IEEE 802.15.4 compliant Frame Reception bit
If this bit is set, then reception of 250 kbps frames with IEEE 802.15.4 compliant SFD patterns is disabled.
- bit 2 **DIS125:** Disable 125 kbps Frame Reception bit
If this bit is set, then reception of 125 kbps frames is disabled.
- bit 1 **OPTIMAL:** Optimized Preamble Selection bit
When this bit is set, then optimized preamble is used instead of legacy.
1 = Optimized preamble
0 = Legacy preamble
- bit 0 Out of scope

MRF24XA

REGISTER 9-18: SFD1 (START FRAME DELIMITER PATTERN 1 CONFIGURATION REGISTER)

ADDRESS: 0x60

RW-00100001	
SFD1<7:0>	
bit 7	bit 0

Legend: R = Readable bit W = Writable bit U = Unimplemented bit, read as '0'
-n = Value at POR '1' = Bit is set '0' = Bit is cleared x = Bit is unknown
r = Reserved

bit 7-0 **SFD1<7:0>**: Start Frame Delimiter Pattern 1 Register Field bits

This octet is used as SFD pattern with 2 Mbps rate when OPTIMAL = 0, and as the MSB of the SFD pattern with 2 Mbps rate when OPTIMAL = 1.

When OPTIMAL = 0:

The hexadecimal digits must be different from 0x0 and different from the corresponding digits in SFD<k>, k = 2, 3, 4, 6, and the value 0xA7 is forbidden.

When OPTIMAL = 1:

The hexadecimal digits must be different from 0x0 and different from the corresponding digits of SFD2.

REGISTER 9-19: SFD2 (START FRAME DELIMITER PATTERN 2 CONFIGURATION REGISTER)

ADDRESS: 0x61

RW-11110001	
SFD2<7:0>	
bit 7	bit 0

Legend: R = Readable bit W = Writable bit U = Unimplemented bit, read as '0'
-n = Value at POR '1' = Bit is set '0' = Bit is cleared x = Bit is unknown
r = Reserved

bit 7-0 **SFD2<7:0>**: Start Frame Delimiter Pattern 2 Register Field bits

This octet is used as SFD pattern with 1 Mbps rate when OPTIMAL = 0, and as the MSB of the SFD pattern with 1 Mbps rate when OPTIMAL = 1.

When OPTIMAL = 0:

The hexadecimal digits must be different from 0x0 and different from the corresponding digits in SFD<k>, k = 1, 3, 4, 6, and the value 0xA7 is forbidden.

When OPTIMAL = 1:

The hexadecimal digits must be different from 0x0 and different from the corresponding digits of SFD1.

REGISTER 9-20: SFD3 (START FRAME DELIMITER PATTERN 3 CONFIGURATION REGISTER)

ADDRESS: **0x62**

RW-00111011	
SFD3<7:0>	
bit 7	bit 0

Legend: R = Readable bit	W = Writable bit	U = Unimplemented bit, read as '0'
-n = Value at POR	'1' = Bit is set	'0' = Bit is cleared
r = Reserved		x = Bit is unknown

bit 7-0 **SFD3<7:0>**: Start Frame Delimiter Pattern 3 Register Field bits

This octet is used as SFD pattern with 500 kbps rate.

When OPTIMAL = 0:

The hexadecimal digits must be different from 0x0 and different from the corresponding digits in SFD<k>, k = 1, 2, 4, 6, and the value 0xA7 is forbidden.

When OPTIMAL = 1:

The hexadecimal digits must be different from 0x0.

REGISTER 9-21: SFD4 (START FRAME DELIMITER PATTERN 4 CONFIGURATION REGISTER)

ADDRESS: **0x63**

RW-11100101	
SFD4<7:0>	
bit 7	bit 0

Legend: R = Readable bit	W = Writable bit	U = Unimplemented bit, read as '0'
-n = Value at POR	'1' = Bit is set	'0' = Bit is cleared
r = Reserved		x = Bit is unknown

bit 7-0 **SFD4<7:0>**: Start Frame Delimiter Pattern 4 Register Field bits

This octet is used as SFD pattern with 250 kbps rate when proprietary MAC is in use, otherwise, the 0xA7 pattern defined in the standard <1> is used instead.

The hexadecimal digits must be different from 0x0 and from the corresponding digits in SFD<k>, where, k = 1, 2, 3, 6 when **OPTIMAL** = 0. The value 0xA7 is forbidden.

MRF24XA

REGISTER 9-22: SFD5 (START FRAME DELIMITER PATTERN 5 CONFIGURATION REGISTER)

ADDRESS: 0x64

RW-01001101	
SFD5<7:0>	
bit 7	bit 0

Legend: R = Readable bit W = Writable bit U = Unimplemented bit, read as '0'
-n = Value at POR '1' = Bit is set '0' = Bit is cleared x = Bit is unknown
r = Reserved

bit 7-0 **SFD5<7:0>**: Start Frame Delimiter Pattern 5 Register Field bits
This octet is used as the MSB of the SFD pattern with 125 kbps rate.

REGISTER 9-23: SFD6 (START FRAME DELIMITER PATTERN 6 CONFIGURATION REGISTER)

ADDRESS: 0x65

RW-10101000	
SFD6<7:0>	
bit 7	bit 0

Legend: R = Readable bit W = Writable bit U = Unimplemented bit, read as '0'
-n = Value at POR '1' = Bit is set '0' = Bit is cleared x = Bit is unknown
r = Reserved

bit 7-0 **SFD6<7:0>**: Start Frame Delimiter Pattern 6 Register Field bits
This octet is used as the LSB of the SFD pattern with 125 kbps rate. When OPTIMAL = 1, this octet is used as the LSB of the SFD pattern with 2 Mbps rate.
The hexadecimal digits must be different from 0x0 and different from the corresponding digits in SFD<k>, k = 1, 2, 3, 4 when OPTIMAL = 0. The value 0xA7 is forbidden.

REGISTER 9-24: SFD7 (START FRAME DELIMITER PATTERN 7 CONFIGURATION REGISTER)

ADDRESS: 0x66

RW-11001000	
SFD7<7:0>	
bit 7	bit 0

Legend: R = Readable bit W = Writable bit U = Unimplemented bit, read as '0'
-n = Value at POR '1' = Bit is set '0' = Bit is cleared x = Bit is unknown
r = Reserved

bit 7-0 **SFD7<7:0>**: Start Frame Delimiter Pattern 7 Register Field bits
When OPTIMAL = 1, this octet is used as the LSB of the SFD pattern with 1 Mbps rate.

9.8 Start-of-Frame Delimiter (SFD) Detection

The following sections describe the SFD detection mechanism for the different data rates.

Header processing is required to work at least as reliably as the demodulation. To meet this requirement, longer preamble and 16-bit SFD is defined for frames where the payload data rate is lower than the air-data-rate of the preamble.

9.8.1 SFD DETECTION AT 125 kbps

The input contains a nibble of bits decoded from the received DSSS symbol. This input is updated on every new DSSS symbol received.

In each update, the latest four received nibbles are compared against the nibbles contained in the 16-bit SFD pattern that the host MC configures. At least three out of four nibbles must match to trigger an SFD_FOUND event.

SFD_TIMEOUT occurs if the latest five nibbles are different from "0000" (preamble lost) while SFD_FOUND is not triggered. Reception is reset on SFD_TIMEOUT.

For the 125 kbps data rate the last decoded four nibbles and the nibbles of pattern_125 must match in at least three nibble positions.

9.8.2 SFD DETECTION AT 1 Mbps

The input contains a byte, which is updated on every new byte received after the first preamble byte has been detected (this identifies the byte boundary). The two latest received bytes form a Word of 16 bits is denoted by W.

SFD_FOUND event is reported if W exactly matches the host configured 16-bit preamble pattern (SFD), or if an approximate match is found with the following error patterns:

- SFD XOR W = 110...0110...0 (two error bursts of length 2)
- SFD XOR W = 10...0110...01 (single error burst of length 2, and single error on either or both ends)
SFD XOR W = 0...0110...0 (single error burst of length 2)
- SFD XOR W = 0...010...0 (single error)

The rationale behind selecting these patterns is that the maximum-likelihood demodulator tends to produce error bursts of length 2 due to the trellis of the MSK modulation (this particular tolerance scheme seems to be novel).

SFD_TIMEOUT event is reported if the latest three octets are different from 0x0F0F0F, while SFD_FOUND is not triggered. Reception is reset on SFD_TIMEOUT.

At 1 Mbps the match tolerates single bit or maximum 2 non-contiguous 2-bit burst differences in the comparison of the last received 16 bits and pattern_1000 (simultaneously isolated single bit mismatches at both ends of the pattern constitute a single 2-bit mismatch burst).

MRF24XA

9.9 Physical Transmissions

MCU sets TXST and transmission starts when TXST is set to '1'. TXMAIF, TXSFDIF and RXSFDIF flags are handled. RXSFDIF is handled even with ACK. External PA/LNA is automatically handled.

For more information on this mode, see Section 9.13 "External Power Amplifier (PA)/Low-Noise Amplifier (LNA)".

Channel, data rate and link adaptation is based on retransmission, and the information is from the receiver.

REGISTER 9-25: TXPOW (TRANSMIT POWER CONFIGURATION REGISTER) ADDRESS 0x3A

R/W-000	R/W-11111
CHIPBOOST<2:0>	TXPOW<4:0>
bit 7	bit 0

Legend: R = Readable bit W = Writable bit U = Unimplemented bit, read as '0'
 -n = Value at POR '1' = Bit is set '0' = Bit is cleared x = Bit is unknown
 r = Reserved

bit 7-5 **CHIPBOOST<2:0>**: TX Chip Boosting Field bits

This field modifies the spectrum of the OQPSK transmission.

bit 4-0 **TXPOW<4:0>**: TX Power Register Field bits

This field enables configuring the TX power ranging from -19 to 1 dBm. Encoding:

11111 = +1 dBm

-
-
-

00001 = -19 dBm

00000 = PA OFF

FIGURE 9-5: OUTPUT POWER IN FUNCTION OF TXPOW

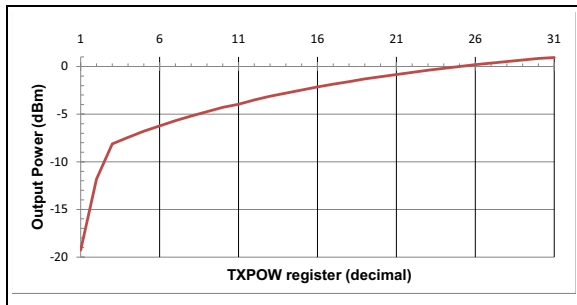
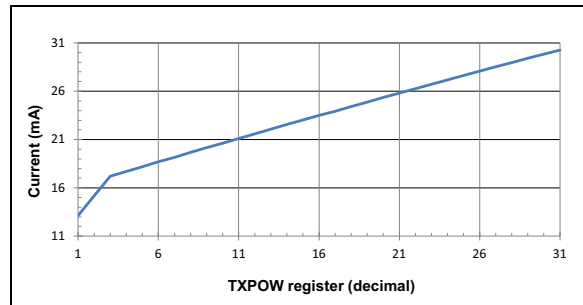


FIGURE 9-6: TX CURRENT IN FUNCTION OF TXPOW



Note: Some variance is expected due to a different matching network.

9.10 Signal Detection (Power-Save Listen Mode)

In Power-Save Listen Mode, only the RX front end circuit is powered, the baseband is switched off. In this mode, approximately 3 mA receive current is saved. To use this mode, set the PSAV bit to '1'.

Note: In this mode, MRF24XA consumes less current that causes sensitivity degradation.

TABLE 9-8: RECOMMENDED SETTINGS FOR POWER-SAVE LISTEN MODE

Thresholds	125/250/ Legacy	500 kbps	1 Mbps	2 Mbps
DesensThr	0x3	0x4	0x5	0x5
PsavThr	0x9	0xC	0xF	0xF

REGISTER 9-26: RATECON (RATE CONFIGURATION REGISTER)

ADDRESS: 0x36

R/W-0	R/W-0	R/W-0	R/W-0	R/W-0	R/W-0	R/W-1	R/W-1
DIS2000	DIS1000	DIS500	DIS250	DISSTD	DIS125	OPTIMAL	PSAV
bit 7							bit 0

Legend: R = Readable bit W = Writable bit U = Unimplemented bit, read as '0'
 -n = Value at POR '1' = Bit is set '0' = Bit is cleared x = Bit is unknown
 r = Reserved

bit 7-1 Out of scope.

bit 0 **PSAV:** Power-Save Mode Selection bit

When this bit is set, frame detection is dependent on the RSSI signal, and the receive signal processor is turned on when a sudden and significant increase (PSAVTHR<3:0>) is detected in the signal strength or the signal strength is above an absolute level (DESENSTHR<3:0>).

1 = Power-Save mode
 0 = Hi-Sensitivity mode

MRF24XA

REGISTER 9-27: POWSAVE (POWER-SAVE CONFIGURATION REGISTER) ADDRESS 0x37

RW-1010		RW-1010	
DESENSTHR<3:0>		PSAVTHR<3:0>	
bit 7			bit 0

Legend: R = Readable bit W = Writable bit U = Unimplemented bit, read as '0'	-n = Value at POR	'1' = Bit is set	'0' = Bit is cleared	x = Bit is unknown
r = Reserved				

- bit 7-4 **DESENSTHR<3:0>**: Desensitization Threshold Field bits
 This field defines an absolute level on the RSSI signal to activate receive signal processor if PSAV = 1.
 Unit is: 4 dB/LSB. Unsigned encoding is used.
- bit 3-0 **PSAVTHR<3:0>**: Frame Detection Threshold Register Field bits
 This field defines a relative (relative to the last 4 μ s RSSI value) threshold level on the RSSI signal to activate receive signal processor if PSAV = 1.
 Unit is 0.5 dB/LSB. Unsigned encoding is used.

TABLE 9-9: REGISTERS ASSOCIATED WITH POWER-SAVE LISTEN MODE

Name	Bit 7	Bit 6	Bit 5	Bit 4	Bit 3	Bit 2	Bit 1	Bit 0
RATECON	DIS2000	DIS1000	DIS500	DIS250	DISSTD	DIS125	OPTIMAL	PSAV
POWSAVE	DESENSTHR<3:0>				PSAVTHR<3:0>			

Legend: r = Reserved, read as '0'.

9.11 AFC

AFC circuit of MRF24XA measures Carrier Frequency Offset (CFO), for all the received packets. The measured value is interpreted as the frequency offset between the two communicating nodes.

Note: AFC circuit stores CFO value in CFO-MEAS field after the SFD is detected and clears the field as the frame processing is finished and RXIF interrupt is generated. CFOTX is used as digital CFO compensation for transmitting. CFORX is used as digital CFO compensation for receiving.

REGISTER 9-28: CFOCON (CFO PRE COMPENSATION REGISTER)

ADDRESS: **0x34**

RW-0000	RW-0000
CFOTX<3:0>	CFORX<3:0>
bit 7	bit 0

Legend: R = Readable bit W = Writable bit U = Unimplemented bit, read as '0'
 -n = Value at POR '1' = Bit is set '0' = Bit is cleared x = Bit is unknown
 r = Reserved

bit 7-4 **CFOTX<3:0>**: TX Carrier Frequency Offset Field bits

The host writes this value to compensate for the Carrier Frequency Offset of the node during transmission. Pre-compensation enables using crystals with wider tolerances.

Frequency Offset Unit is: 13 ppm/LSB. Two's complement encoding.

bit 3-0 **CFORX<3:0>**: RX Carrier Frequency Offset Field bits

The host writes this value to pre-compensate the Carrier Frequency Offset estimation window (± 55 ppm).

Frequency Offset Unit is: 13 ppm/LSB. Two's complement encoding.

MRF24XA

REGISTER 9-29: CFOMEAS (CFO MEASUREMENT INDICATION REGISTER) ADDRESS: 0x35

RW-00000000	
CFOMEAS<7:0>	
bit 7	bit 0

Legend: R = Readable bit W = Writable bit U = Unimplemented bit, read as '0'
-n = Value at POR '1' = Bit is set '0' = Bit is cleared x = Bit is unknown
r = Reserved

bit 7-0 **CFOMEAS<7:0>**: CFO Measurement Field bits

If AFCOVR bit is cleared, then this register is written and valid when RXSFDIF is set with the value of the Carrier Frequency Offset that was estimated during the acquisition of the packet. The host may use this value together with the LQI as a preamble quality indication (the LQI is measured over the CFO compensated payload).

If AFCOVR bit is set, this receiver compensates the Carrier Frequency Offset. Note that in this case, the CFO estimation algorithm is disabled, thus ± 13 ppm CFO is tolerated. CFORX has no effect when AFCOVR is set.

Frequency Offset Unit is: ~ 1.62 ppm/LSB of the 2.4 GHz carrier. Two's complement encoding is used.

9.12 Receive Status Vector (RSV)^(1, 2)

The Receive Status Vector (RSV) can extend the received packet that gives extra information about the link. RSV bits are individually enabled.

- Note 1:** RSV does not affect the LENGTH field of the packet.
- 2:** LQI, RSSI, CHDR and CFO are the order of appending the CRC.

REGISTER 9-30: RXCON1 (MAC RECEIVE CONTROL 1 REGISTER)

ADDRESS: 0x15

R/W/HC/HS-0	R/W-0	R/W/HC-0	R/W-0	R/W-0	R/W-0	R/W-0	R-0
RXEN	NOPA	RXDEC	RSVLQIEN	RSVRSSIEN	RSVCHDREN	RSVCFOEN	r
bit 7							bit 0

Legend: R = Readable bit	W = Writable bit	U = Unimplemented bit, read as '0'
-n = Value at POR	'1' = Bit is set	'0' = Bit is cleared
r = Reserved	HC = Hardware Clear	HS = Hardware Set
		x = Bit is unknown

bit 7

RXEN: Receive Enable Field bit

This bit enables/disables the packet reception. If an RX packet is currently being received, clearing this bit causes that packet to be discarded.

- 1 = RX enabled
- 0 = RX disabled

Hardware clear/set when:

- Cleared when TRXMODE is set to TX-Streaming mode
- Set when TRXMODE is set to RX-Streaming mode

Clearing this bit aborts the current operation in the following cases:

- Receiving a packet in Packet mode or in RX-Streaming mode

Changes to most RX related settings must be only done while this bit is cleared.

The clear channel assessment (CSMAEN) and ACK-frame reception does not require RXEN = 1 as the device turns the radio into RX when needed, irrespective of the status of the RXEN bit.

bit 6

NOPA: No Parsing bit

This bit disables packet parsing. Only CRC is checked, if it is enabled. This feature is useful in Sniffer mode.

- 1 = Disable packet parsing
- 0 = Enable packet parsing

bit 5

RXDEC: RX Decryption bit

Setting this bit starts RX security processing (authentication or decryption, or both) on the last received packet.

- 1 = RX security processing started/in process. RXDECIF or RXTAGIF is set.
- 0 = RX security processing inactive or complete

This bit clears itself after RX decryption has completed.

bit 4

RSVLQIEN: Receive Status Vector LQI Enable bit

If bit is set, the measured Link Quality is appended after the received frame in the packet buffer.

- 1 = Append LQI field
- 0 = Do not append LQI field

bit 3

RSVRSSIEN: Receive Status Vector RSSI Enable bit

If bit is set, the measured RSSI is appended after the received frame in the packet buffer.

- 1 = Append RSSI field
- 0 = Do not append RSSI field

MRF24XA

REGISTER 9-30: RXCON1 (MAC RECEIVE CONTROL 1 REGISTER) (CONTINUED)

ADDRESS: 0x15

- bit 2 **RSVCHDREN:** Receive Status Vector Channel/MAC Type/Data Rate Enable bit
- If bit is set, Channel, MAC type and Data Rate configurations used with the received frame are appended after the received frame in the packet buffer, using the encoding specified for CH<3:0>, FRMFMT and DR<2:0> (concatenated in this order when MSb is first).
- 1 = Append Channel, MAC type and Data Rate fields
0 = Do not append Channel, MAC type and Data Rate fields
- bit 1 **RSVCFOEN:** Receive Status Vector CFO Enable bit
- If bit is set, the estimated Carrier Frequency Offset of the received frame is appended after the received frame in the packet buffer, using the same encoding as CFOMEAS register.
- 1 = Append CFO estimation
0 = Do not append estimated CFO
- bit 0 **Reserved:** Maintain as '0'

9.13 External Power Amplifier (PA)/ Low-Noise Amplifier (LNA)

MRF24XA has a PA control pin (pin 20) and an LNA control pin (pin 21) to handle external PAs and LNAs or external antenna switch circuits. MRF24XA can also tolerate different start-up times of different external circuits by sending or accepting data if the external circuits completes their ramp up. MRF24XA can handle both active-high or active-low control signal sensitive circuits.

PA2TXMA<4:0>, External Power Amplifier Power-Up to Medium Access Configuration, defines the time delay that MRF24XA waits after powering on the external PA before sending any data to transmit.

Figure 9-7 illustrates the method of PA time management of MRF24XA.

9.13.1 EXTERNAL PA HANDLING

MRF24XA can automatically switch ON and OFF external PA circuits as the internal functionalities require to transmit any signal. PA pin is automatically set to its preset active state as external PA is needed and set back to its inactive state if PA is not needed.

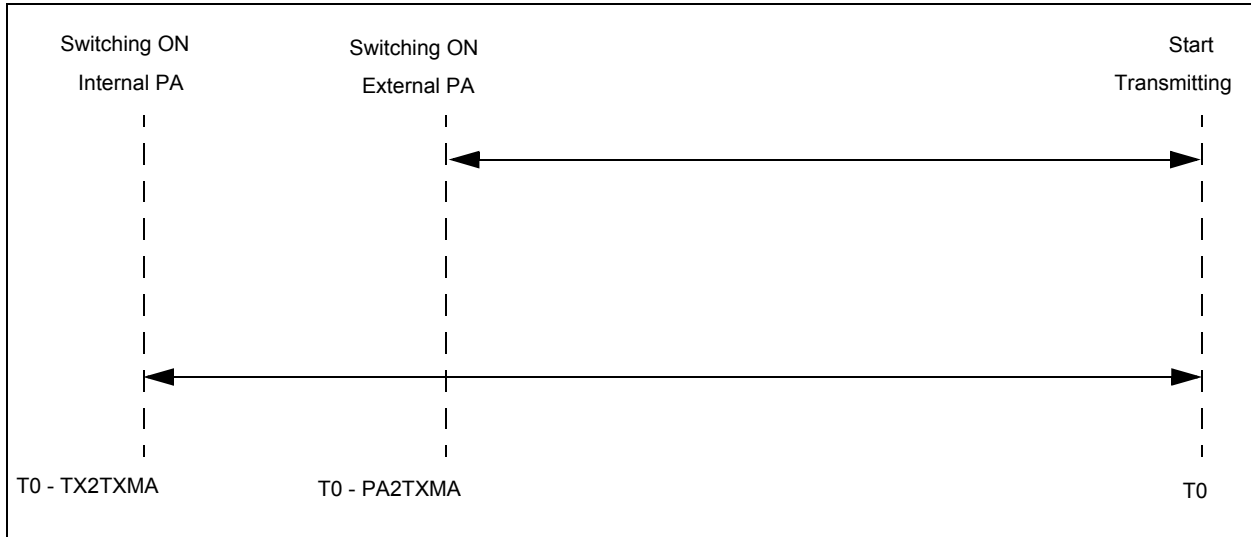
To enable external PA handling, set PAEN bit of EXTPA register to '1'. EXTPAP bit sets the active state of PA control line. The current value of EXTPAP bit is the active state of the PA line. RFOP<2:0>, field of the Radio Operation Register shows the status of the radio and external PA.

9.13.1.1 PA Switch Time Management

MRF24XA is used with various external PA circuits. Different PA circuits may have different start-up time constraints to reach the steady state. MRF24XA can manage to start transmitting if both the internal and external PA circuits are ready to operate.

TX2TXMA<4:0>, Transmit Power-Up to Medium Access Configuration, defines the time delay that MRF24XA waits after powering on the internal PA before sending any data to transmit. Its POR default value is calculated to cover most of the cases, but user can redefine its value if needed.

FIGURE 9-7: PA ACCESS TIME MANAGEMENT



MRF24XA

9.13.2 EXTERNAL LNA HANDLING

MRF24XA can automatically switch ON and OFF external LNA circuit as the internal functionalities require receiving. LNA pin is automatically set to its predefined active state as external LNA circuit is needed, and set back to its inactive state if LNA is not needed.

To enable external LNA handling, set LNAEN bit of the EXTLNA register to '1'. EXTLNAP bit sets the active state of LNA line. The actual value of EXTLNAP bit is the active state of the LNA line.

MRF24XA is programmed to delay signal receiving after powering on the external LNA circuit. It enables to optimize the power consumption to the startup time of the external LNA circuit. LNADLY<4:0> defines the time delay between LNA power-up and the start of signal reception. The time base is 1 μ s. Higher LNADLY value means longer Wait before starting reception. RFOP<2:0> field of the Radio Operation register shows the status of the radio and external LNA.

REGISTER 9-31: OPSTATUS (OPERATION STATUS)

Address: **0x02**

R-0	R/HS/HC-0	R/HS/HC-0	R/HS/HC-0	R/HS/HC-0	R/HS/HC-0	R/HS/HC-0	R/HS/HC-0
r	MACOP<3:0>			RFOP<2:0>			
bit 7							bit 0

Legend: R = Readable bit	W = Writable bit	U = Unimplemented bit, read as '0'	
-n = Value at POR	'1' = Bit is set	'0' = Bit is cleared	x = Bit is unknown
r = Reserved	HC = Hardware Clear	HS = Hardware Set	

bit 7 **Reserved:** Maintain as '0'

bit 6-3 Out of scope

bit 2-0 **RFOP <2:0>:** Radio Operation Register Field bits

Provides status information on the current Radio state. Encoding on RFOP<2:0>:

111 = TX with external PA is turned on (TX+PA)

110 = RX with external LNA is turned on (RX+LNA)

101 = Synthesizer and external PA or LNA is turned on (SYNTH+PA/LNA)

REGISTER 9-32: TX2TXMA (TRANSMIT POWER-UP TO MEDIUM ACCESS CONFIGURATION REGISTER) ADDRESS 0x3C

R-0	R/W-00011
r	TX2TXMA<4:0>
bit 7	bit 0

Legend: R = Readable bit W = Writable bit U = Unimplemented bit, read as '0'
 -n = Value at POR '1' = Bit is set '0' = Bit is cleared x = Bit is unknown
 r = Reserved

bit 7-5 Reserved: Maintain as '0'

bit 4-0 **TX2TXMA<4:0>**: Transmit Power-Up to Medium Access Configuration Field bits

Defines the time interval between turning on the transmitter of the device and the start time of medium access (start of the PHY-layer frame).

TX_TO_TXMA = The transient time of the transmitter, in the following scenarios:

PAEN = 0

PAEN = 1, but the PA is turned on first. PA_TO_TXMA = TX_TO_TXMA + PA transient time.

PAEN = 1, but the TX and PA transients are NOT sequenced.

TX_TO_TXMA = The transient time of the transmitter + PA_TO_TXMA:

PAEN = 1, and the transmitter is turned on first (transients are sequenced).

Representation: 1 μ s/1 LSB. No offset.

MRF24XA

REGISTER 9-33: EXTPA (EXTERNAL POWER AMPLIFIER CONFIGURATION REGISTER)

ADDRESS 0x3D

R-0	RW-0	RW-0	RW-00100
r	EXTPAP	PAEN	PA2TXMA<4:0>
bit 7			bit 0

Legend: R = Readable bit W = Writable bit U = Unimplemented bit, read as '0'
 -n = Value at POR '1' = Bit is set '0' = Bit is cleared x = Bit is unknown
 r = Reserved

bit 7 **Reserved:** Maintain as '0'

bit 6 **EXTPAP:** External Power Amplifier Polarity bit
 1 = 3.3V turns Power Amplifier ON
 0 = GND turns Power Amplifier ON

bit 5 **PAEN:** External Power Amplifier Enable bit
 This bit enables the PA pin to output the control signal for external Power Amplifier.

bit 4-0 **PA2TXMA<4:0>:** External Power Amplifier Power-Up to Medium Access Configuration Field bits
 Defines the time interval between turning on the external PA of the device and the start time of medium access (start of the PHY-layer frame).

PA_TO_TXMA = The transient time of the external PA, in the following scenarios:

PAEN = 1, and the transmitter is turned on first. TX_TO_TXMA = PA_TO_TXMA + TX transient time.

PAEN = 1, but the TX and PA transients are NOT sequenced.

PA_TO_TXMA = The transient time of the PA + TX_TO_TXMA:

PAEN = 1, and the external power amplifier is turned on first (Transients are sequenced).

Representation: 1 μ s/1 LSB. No offset

REGISTER 9-34: EXTLNA (EXTERNAL LOW-NOISE AMPLIFIER CONFIGURATION REGISTER ADDRESS 0x3E)

R-0	RW-0	RW-0	RW-00100
r	EXTLNAP	LNAEN	LNADLY<4:0>
bit 7			bit 0

Legend: R = Readable bit W = Writable bit U = Unimplemented bit, read as '0'
 -n = Value at POR '1' = Bit is set '0' = Bit is cleared x = Bit is unknown
 r = Reserved

bit 7 **Reserved:** Maintain as '0'

bit 6 **EXTLNAP:** External Low Noise Amplifier Polarity bit
 1 = 3.3V turns Low-Noise Amplifier ON
 0 = GND turns Low-Noise Amplifier ON

bit 5 **LNAEN:** External Low-Noise Power Amplifier Enable bit
 This bit enables the LNA pin to output the control signal for external Low-Noise Amplifier.

bit 4-0 **LNADLY<4:0>:** External Low-Noise Amplifier Power-Up Transient Delay Field bits
 Defines the duration between turning on the LNA and the time when the reception is valid.
 LNA and receiver are turned on together. The longer transient is awaited before input signal is accepted as valid.
 Representation: 1 μ s/1 LSB. No offset.

TABLE 9-10: REGISTERS ASSOCIATED WITH EXTERNAL PA AND LNA

	7	6	5	4	3	2	1	0
OPSTATUS	r	MACOP<3:0>				RFOP<2:0>		
TX2TXMA	r				TX2TXMA<4:0>			
EXTPA	r	EXTPAP	PAEN	PA2TXMA<4:0>				
EXTLNA	r	EXTLNAP	LNAEN	LNADLY<4:0>				

Legend: r = Reserved, read as '0'.

MRF24XA

NOTES:

10.0 BATTERY LIFE OPTIMIZATION

In a battery-operated application, the device only wakes up when it must transmit or requires to poll for data. Polling is used for data reception as a means to synchronize the remotely transmitting node to the wake-up event in the receiver. Between transmission and reception the device must be held in Deep Sleep mode drawing less current than the battery self-discharge, which is about 1 μ A. Register contents and internal Calibration state are maintained in Deep Sleep mode for efficient power mode changes. Long battery life is achieved through low currents in each state of the device and a series of system features that contribute to minimize the duration required for transmit or receive.

The following enhanced features are used to minimize radio ON time:

- High air-data-rates to minimize the packet duration
- Automatic, on-the-fly, per frame, air-data-rate adaptation in the receiver, allowing the transmitter to select the highest data rate that fits the quality of the link
- Minimized framing overheads in both the PHY and the MAC layers
- Minimized ramp-up and turnaround times
- Short, still reliable channel assessment
- Automatically handled TX and RX signal paths
- Inferred destination addressing

On-the-fly, per frame air-data-rate detection is the capability of the receiver to synchronize to the transmitter data rate without knowing the sender of the frame and the expected data rate in advance. On-the-fly, per frame, air-data-rate detection gives the following advantages:

- Each low-power node can use the highest data rate allowed by its link quality to save its battery charge. The evaluation of the link quality requires MCU interaction.
- Multiple data rates are used within the same network.

As opposed to conventional protocols supporting the simultaneous use of multiple air-data-rates in the network traffic, the frame header, which encodes the payload data rate, does not use the lowest data rate. Without this feature either the worst link defines the air-data-rate that all nodes must use, or each node must use the lowest data rate for the frame header, which can severely compromise the throughput and battery efficiency of the highest rates.

Passive listening, channel assessment and the duration of the turnaround between transmit and receive contribute to the power consumption.

In this regard, MRF24XA excels by minimized TX-to-RX turnaround durations, fast but reliable channel assessment and short PLL and AGC ramp-up durations. Power modes are automatically sequenced during CSMA sending by the internal state machines of the device without interaction from the MCU. These mechanisms can optionally control external PA and LNA.

The Message Chart in [Figure 10-1](#) illustrates a typical wake-up cycle:

1. While the low-power device is in Deep Sleep mode, the coordinator listens to the channel and buffers any messages addressed to the low-power node.
2. The low-power node wakes up when must transmit, or periodically to poll the coordinator for any pending data.
3. First, the low-power node sends a poll command to the coordinator and any data it must send.
4. Low-power node can go back to Deep Sleep mode as soon as it gets an ACK unless the coordinator has buffered pending data. This condition is indicated in a specific bit field of the acknowledge frame that the coordinator is sending.
5. In the case of pending data, the low-power node may want to turn off the radio for a pre-determined duration allowing the coordinator to retrieve the pending data for sending.
6. Finally, the coordinator turns to Receive mode to get the pending data. On successful reception, it turns to transmit to send an ACK and returns to Deep Sleep mode.
7. Time-outs ensure that the low-power node does not stay powered-up forever in the case when the coordinator fails to respond in any of the transactions above.

[Figure 10-1](#) shows that all the radio activities are minimized to immediately return to Deep Sleep mode.

As a result, the average current consumption is reduced by multiple factors in comparison to the standard IEEE 802.15.4 operation. The comparison is done for three corner cases as follows:

- [Table 10-1](#) for polling without pending data
- [Table 10-2](#) for polling with 80 octets pending data
- [Table 10-3](#) for the transmission of 80 octets

A combination of the three cases allow evaluating the energy budget of complex scenarios. A yearly 10 mA_h is to be added for battery self-discharge and Deep Sleep mode. [Equation 10-1](#) shows the self discharge current calculation. The consumption of the MCU and any sensors, displays must be added.

MRF24XA

The enhanced MAC and PHY feature set also compresses the frame header time to achieve the shortest possible radio ON time.

To reduce leakage current, ensure that GPIO weak pull up is turned off in case it is not needed in Deep Sleep mode.

EQUATION 10-1: BATTERY SELF-DISCHARGE

The discharge caused by 1 μ A average current over one year: $1\mu A \times 1 \text{ year} = 8.76 \text{ mAh}$

TABLE 10-1: POLLING FOR PENDING DATA – NO PENDING DATA IS AVAILABLE⁽¹⁾

Wake-up		Consumed Battery Charge		Unit
Mode	Period	2 Mbps Extended Data Rate	802.15.4 Compliant Mode	
Single wake-up	per wake-up	4480	17450	$\text{mA} \cdot \mu\text{s} = \text{nC}$
Yearly average while waking up regularly in every	1s	39.3	152.9	$\text{mAh/year} = \mu\text{A}$
	20s	2	7.6	$\text{mAh/year} = \mu\text{A}$
	1 min	0.7	2.5	$\text{mAh/year} = \mu\text{A}$
	5 min	0.1	0.5	$\text{mAh/year} = \mu\text{A}$

Note 1: The calculations are strongly depended on the used protocol. It may happen that a given protocol cannot produce the listed battery life values.

TABLE 10-2: POLLING FOR PENDING DATA – 80 OCTETS OF PENDING DATA RECEIVED⁽¹⁾

Wake-up		Consumed Battery Charge		Unit
Mode	Period	2 Mbps Extended Data Rate	802.15.4 Compliant Mode	
Single wake-up	per wake-up	12030	62620	$\text{mA} \cdot \mu\text{s} = \text{nC}$
Yearly average while waking up regularly in every	1s	163.7	936.7	$\text{mAh/year} = \mu\text{A}$
	20s	8.2	46.8	$\text{mAh/year} = \mu\text{A}$
	1 min	2.7	15.6	$\text{mAh/year} = \mu\text{A}$
	5 min	0.5	3.1	$\text{mAh/year} = \mu\text{A}$

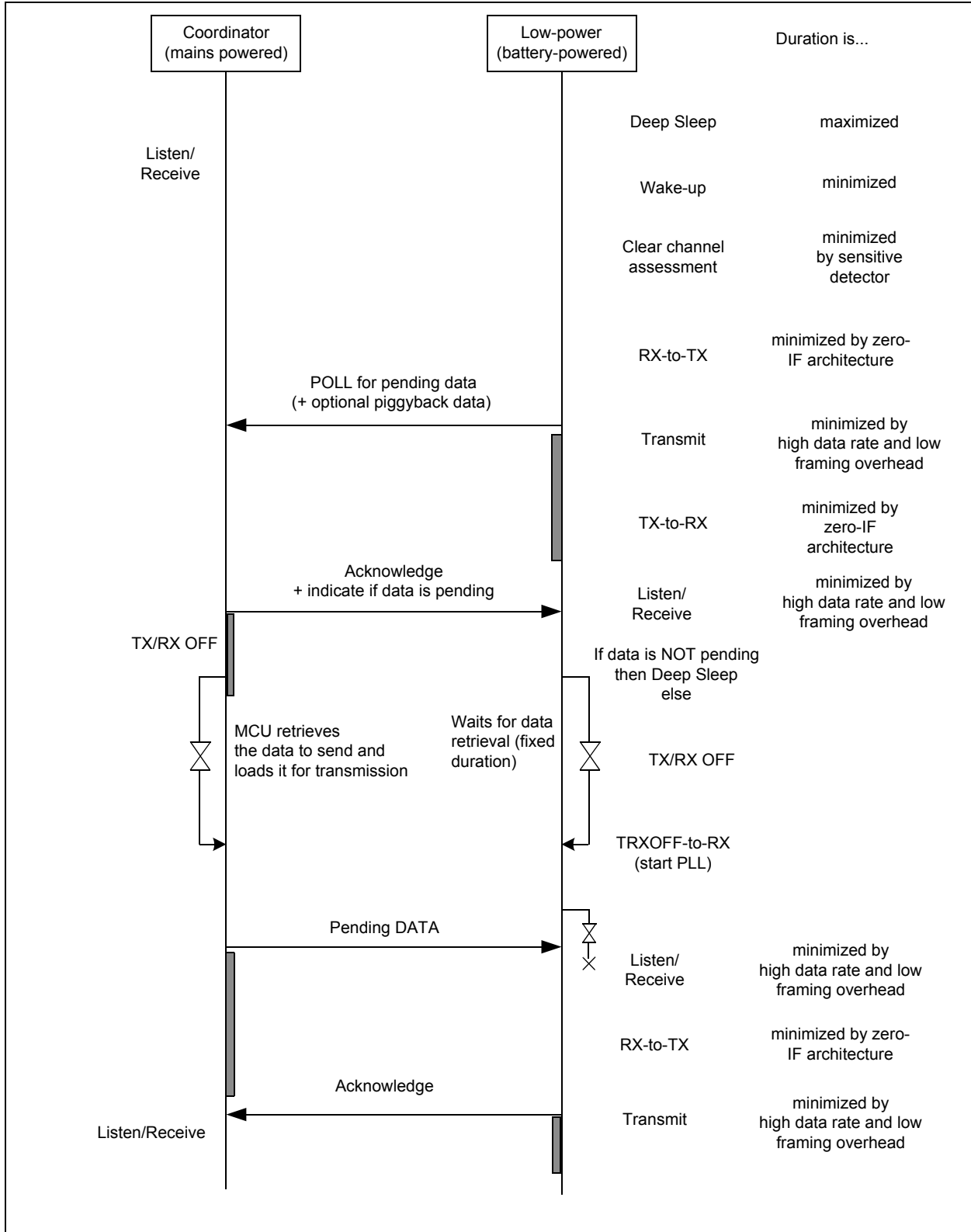
Note 1: The calculations are strongly depended on the used protocol. It may happen that a given protocol cannot produce the listed battery life values.

TABLE 10-3: POLLING FOR PENDING DATA – TRANSMITTING 80 OCTETS TO COORDINATOR (AS PIGGYBACK DATA – NO PENDING RECEIVED DATA)⁽¹⁾

Wake-up		Consumed Battery Charge		Unit
Mode	Period	2 Mbps Extended Data Rate	802.15.4 Compliant Mode	
Single wake-up	per wake-up	10560	66090	$\text{mA} \cdot \mu\text{s} = \text{nC}$
Yearly average while waking up regularly in every	1s	92.5	579	$\text{mAh/year} = \mu\text{A}$
	20s	4.6	28.9	$\text{mAh/year} = \mu\text{A}$
	1 min	1.5	9.6	$\text{mAh/year} = \mu\text{A}$
	5 min	0.3	1.9	$\text{mAh/year} = \mu\text{A}$

Note 1: The calculations are strongly depended on the used protocol. It may happen that a given protocol cannot produce the listed battery life values.

FIGURE 10-1: MRF24XA POWER MODES DURING DATA POLLING (MESSAGE SEQUENCE CHART)



MRF24XA

NOTES:

11.0 ELECTRICAL CHARACTERISTICS

Absolute Maximum Ratings

Ambient temperature under bias	-40°C to +85°C
Storage temperature	-40°C to +125°C
Voltage on any digital or analog pin with respect to V _{SS} (except V _{DD})	-0.3V to (V _{DD} + 0.3V)
Voltage on V _{DD} with respect to V _{SS}	-0.3V to 6V
Maximum output current sunk by GPIO0-GPIO2 pins	2mA at 0.3xV _{DD}
Maximum output current sourced by GPIO0-GPIO2 pins	2mA at 0.3xV _{DD}

Note: Stresses above those listed under “Absolute Maximum Ratings” may cause permanent damage to the device. This is a stress rating only and functional operation of the device at those or any other conditions above those indicated in the operation listings of this specification is not implied. Exposure to maximum rating conditions for extended periods may affect device reliability.

TABLE 11-1: RECOMMENDED OPERATING CONDITIONS

Parameter	Min.	Typ	Max.	Units
Ambient Operating Temperature	-40	+25	+85	°C
Supply Voltage for RF, analog (AV _{DD}) and digital circuits (DV _{DD})	1.08	1.2	1.32	V
Supply Voltage for LDO Input (pin 30) and digital I/O (pin 23)	1.5	3.3	3.6	V
Input High Voltage (V _{IH})	0.65 x V _{DD}	—	V _{DD} + 0.3	V
Input Low Voltage (V _{IL})	-0.3	—	0.35 x V _{DD}	V

TABLE 11-2: CURRENT CONSUMPTION

Typical Values: T_A = 25°C, V_{DD} = 3.3V

Operating mode	Condition	Min.	Typ	Max.	Units
Deep Sleep	All GPIO pins are grounded	—	40	—	nA
Sleep	—	—	0.3	—	mA
Crystal ON	—	—	1.1	—	mA
Synthesizer ON	—	—	7	—	mA
RX Listen Power-Save	All data rates	—	13.5	—	mA
RX Listen	All data rates	—	16.5	—	mA
RX Packet Demodulation	1 Mbps or 2 Mbps	—	15.5	—	mA
RX Packet Demodulation	500 kbps, 250 kbps or 125 kbps	—	16.5	—	mA
TX	at maximum power ⁽¹⁾	—	30	—	mA

Note 1: For further details, see [Figure 9-5](#) and [Figure 9-6](#).

MRF24XA

TABLE 11-3: RECEIVER CHARACTERISTICS

Typical Values: TA = 25°C, VDD = 3.3V

Parameters	Condition	Min.	Typ	Max.	Units
RF Input Frequency	—	2.405	—	2.480	GHz
RF Sensitivity	Data Rate: 250 kbps, PER 1%	—	-95	—	dBm
	125 kbps at 0 ppm CFO	—	-103	—	
	at +/- 110 ppm CFO	—	-100	—	
	250 kbps at 0 ppm CFO	—	-100	—	
	at +/- 110 ppm CFO	—	-99	—	
	500 kbps: Legacy and Optimal framing	—	—	—	
	at 0 ppm CFO	—	-97	—	
	at +/- 110 ppm CFO	—	-96	—	
	1 Mbps: Legacy framing	—	—	—	
	at 0 ppm CFO	—	-92	—	
	at +/- 110 ppm CFO	—	-92	—	
	Optimal framing	—	—	—	
	at 0 ppm CFO	—	-91	—	
	at +/- 85 ppm CFO	—	-89	—	
	2 Mbps: Legacy framing	—	—	—	
	at 0 ppm CFO	—	-88	—	
at +/- 110 ppm CFO	—	-88	—		
Optimal framing	—	—	—		
at 0 ppm CFO	—	-87	—		
at +/- 85 ppm CFO	—	-86	—		
Maximum RF Input	—	—	-10	—	dBm
LO Leakage	Maximal leakage when radio is in RX, measured after balun	—	-51.8	—	dBm
Adjacent Channel Rejection	at ±5 MHz	—	32	—	dB
Alternate Channel Rejection	at ±10 MHz	—	45	—	dB
RSSI Range	—	—	75	—	dB
RSSI Error	—	—	—	± 5	dB

TABLE 11-4: TRANSMITTER CHARACTERISTICS

Typical Values: TA = 25°C, VDD = 3.3V

Parameters	Condition	Min.	Typ	Max.	Units
RF Carrier Frequency	—	2.405	—	2.480	GHz
Maximum RF Output Power	—	—	1	—	dBm
RF Output Power Control Range	—	—	20	—	dB
TX Spectrum Mask for O-QPSK Signal	Offset frequency >3.5 MHz, at 0 dBm output power	—	-35	—	dBm
TX EVM	—	17	23	30	%

FIGURE 11-1: EXAMPLE SPI SLAVE MODE TIMING

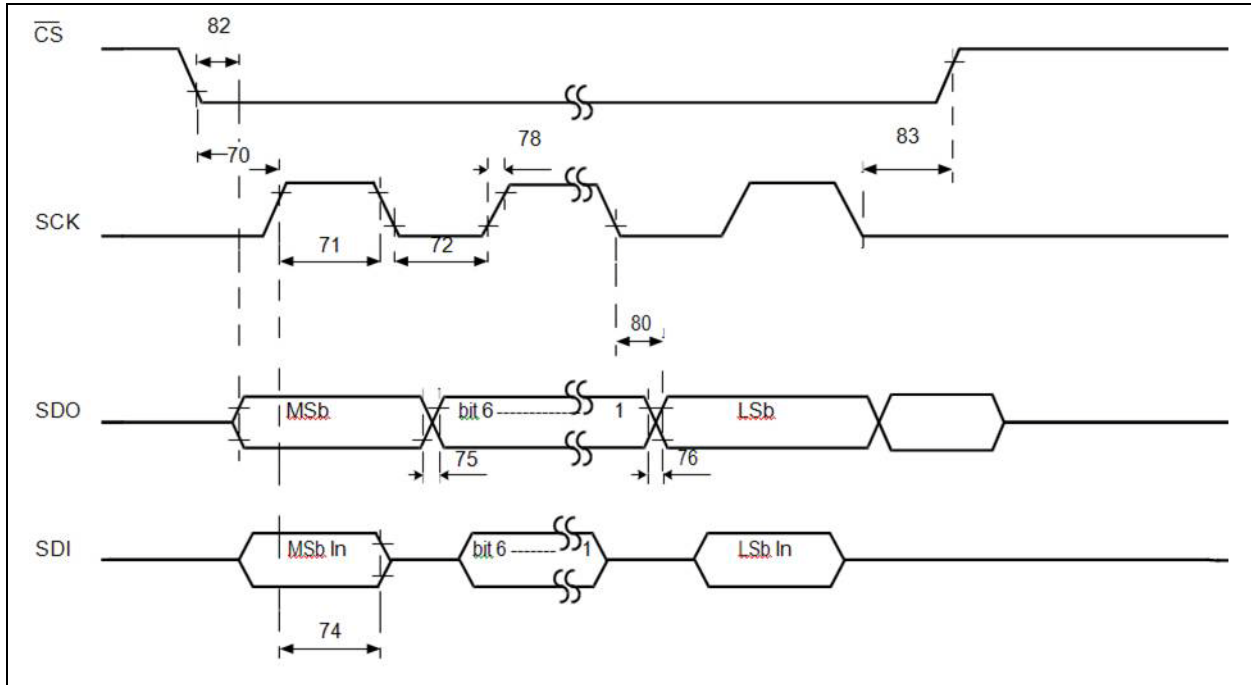


TABLE 11-5: EXAMPLE SLAVE MODE REQUIREMENTS

Parameter Number	Symbol	Characteristic	Min.	Max.	Units
70	TssL2sCH	\overline{CS} ↓ to SCK ↑ Input	50	—	ns
71	Tsch	SCK Input High Time	50	—	ns
72	Tscl	SCK Input Low Time	50	—	ns
74	Tsch2diL	Hold Time of SDI Data Input to SCK Edge	25	—	ns
75	TdoR	SDO Data Output Rise Time	—	25	ns
76	TdoF	SDO Data Output Fall Time	—	25	ns
78	Tscr	SCK Output Rise Time	—	25	ns
80	Tsch2doV, TscL2doV	SDO Data Output Valid after SCK Edge	50	—	ns
82	TssL2doV	SDO Data Output Valid after \overline{CS} ↓ Edge	50	—	ns
83	TssL2ssH	\overline{CS} ↑ after SCK Edge	50	—	ns

11.1 Matching Network

Due to some innovative RF solutions built into the chip, the conventional way of matching network design does not work with this radio. For further information, contact support or your sales representative.

MRF24XA

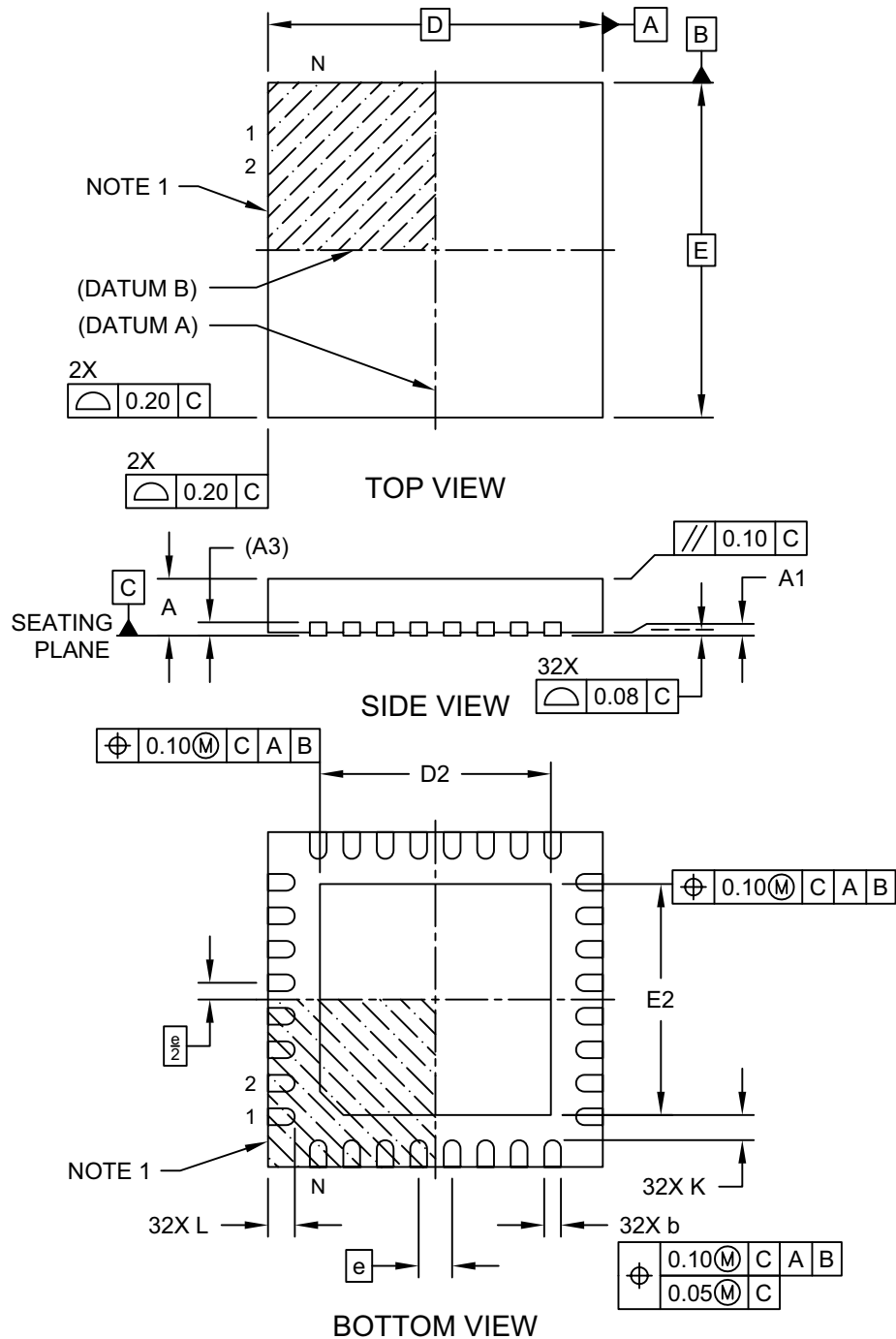
NOTES:

12.0 PACKAGING INFORMATION

12.1 Package Marking Information

32-Lead Very Thin Plastic Quad Flat, No Lead Package (MQ) - 5x5x0.9 mm Body [VQFN]

Note: For the most current package drawings, please see the Microchip Packaging Specification located at <http://www.microchip.com/packaging>

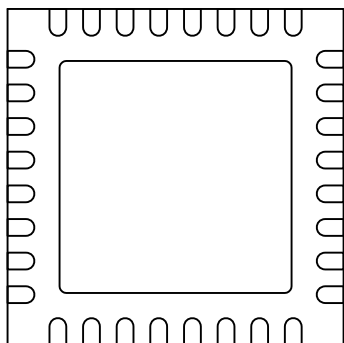


Microchip Technology Drawing C04-160A Sheet 1 of 2

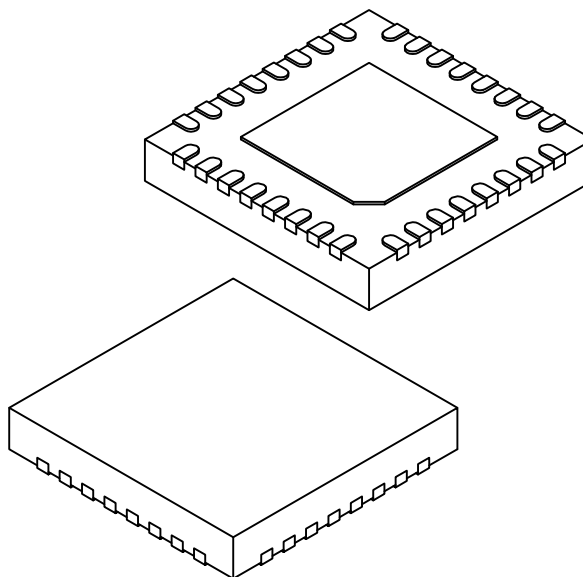
MRF24XA

32-Lead Very Thin Plastic Quad Flat, No Lead Package (MQ) - 5x5x0.9 mm Body [VQFN]

Note: For the most current package drawings, please see the Microchip Packaging Specification located at <http://www.microchip.com/packaging>



ALTERNATE EXPOSED PAD
CONFIGURATION



Dimension Limits	Units	MILLIMETERS		
		MIN	NOM	MAX
Number of Pins	N	32		
Pitch	e	0.50 BSC		
Overall Height	A	0.80	0.90	1.00
Standoff	A1	0.00	0.02	0.05
Terminal Thickness	A3	0.20 REF		
Overall Width	E	5.00 BSC		
Exposed Pad Width	E2	3.70	-	3.90
Overall Length	D	5.00 BSC		
Exposed Pad Length	D2	3.70	-	3.90
Terminal Width	b	0.18	0.25	0.30
Terminal Length	L	0.30	0.40	0.50
Terminal-to-Exposed-Pad	K	0.20	-	-

Notes:

1. Pin 1 visual index feature may vary, but must be located within the hatched area.
2. Package is saw singulated
3. Dimensioning and tolerancing per ASME Y14.5M

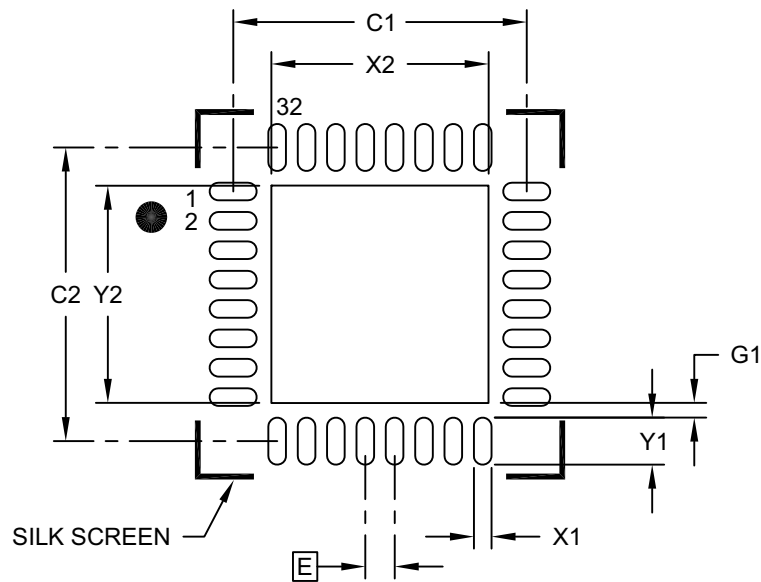
BSC: Basic Dimension. Theoretically exact value shown without tolerances.

REF: Reference Dimension, usually without tolerance, for information purposes only.

Microchip Technology Drawing C04-160A Sheet 2 of 2

32-Lead Ultra Thin Plastic Quad Flat, No Lead Package (MQ) - 5x5x0.9 mm Body [VQFN]

Note: For the most current package drawings, please see the Microchip Packaging Specification located at <http://www.microchip.com/packaging>



RECOMMENDED LAND PATTERN

Dimension Limits	Units	MILLIMETERS		
		MIN	NOM	MAX
Contact Pitch	E	0.50 BSC		
Optional Center Pad Width	X2			3.70
Optional Center Pad Length	Y2			3.70
Contact Pad Spacing	C1		5.00	
Contact Pad Spacing	C2		5.00	
Contact Pad Width (X32)	X1			0.30
Contact Pad Length (X32)	Y1			0.80
Contact Pad to Center Pad (X32)	G1	0.20		

Notes:

1. Dimensioning and tolerancing per ASME Y14.5M

BSC: Basic Dimension. Theoretically exact value shown without tolerances.

Microchip Technology Drawing C04-2160A

MRF24XA

NOTES:

APPENDIX A: REVISION HISTORY

Revision A (August 2011)

This is the initial released version of the document.

Revision B (March 2013)

Incorporated major formatting and text updates throughout the document.

Revision C (March 2015)

The following lists the modifications:

- Incorporated major formatting
- Revised a few sentences throughout the document
- Added **Chapter 12 “Packaging Information”**
- Updated `PULLDIRGPIOX` bit description to add 75 kOhm information
- Updated Product Identification System section to add package information
- Revised Table 2-3 and Figure 2-3.

MRF24XA

NOTES:

THE MICROCHIP WEB SITE

Microchip provides online support via our WWW site at www.microchip.com. This web site is used as a means to make files and information easily available to customers. Accessible by using your favorite Internet browser, the web site contains the following information:

- **Product Support** – Data sheets and errata, application notes and sample programs, design resources, user's guides and hardware support documents, latest software releases and archived software
- **General Technical Support** – Frequently Asked Questions (FAQ), technical support requests, online discussion groups, Microchip consultant program member listing
- **Business of Microchip** – Product selector and ordering guides, latest Microchip press releases, listing of seminars and events, listings of Microchip sales offices, distributors and factory representatives

CUSTOMER CHANGE NOTIFICATION SERVICE

Microchip's customer notification service helps keep customers current on Microchip products. Subscribers will receive e-mail notification whenever there are changes, updates, revisions or errata related to a specified product family or development tool of interest.

To register, access the Microchip web site at www.microchip.com. Under "Support", click on "Customer Change Notification" and follow the registration instructions.

CUSTOMER SUPPORT

Users of Microchip products can receive assistance through several channels:

- Distributor or Representative
- Local Sales Office
- Field Application Engineer (FAE)
- Technical Support

Customers should contact their distributor, representative or Field Application Engineer (FAE) for support. Local sales offices are also available to help customers. A listing of sales offices and locations is included in the back of this document.

Technical support is available through the web site at: <http://microchip.com/support>

MRF24XA

NOTES:

PRODUCT IDENTIFICATION SYSTEM

To order or obtain information, for example, on pricing or delivery, refer to the factory or the listed sales office.

<u>PART NO.</u>	<u>M.</u>	<u>X</u>	<u>T</u>	<u>-X</u>	Example: a) MRF24XA -I/ = Industrial temp. tray.
Device	module	Module Type	Tape and Reel	Temperature Range	
Device:	MRF24XA; V _{DD} range 1.5V to 3.6V				
Temperature Range:	I = -40° C to +85° C (Industrial)				
Package:	MQ = Very Thin Plastic Quad Flat (5X5 mm Body), 32-lead MQ = Ultra Thin Plastic Quad Flat, No-Lead (5X5X0.9 mm Body), 32-lead				

MRF24XA

NOTES:

INDEX

A

Absolute Maximum Ratings	241
Agility	189

C

Channel Agility	191
Customer Change Notification Service	251
Customer Notification Service	251
Customer Support	251

D

Deep Sleep mode	237
-----------------------	-----

E

Electrical Characteristics	241
Errata	3

I

Internet Address	251
------------------------	-----

L

Low Dropout (LDO)	7
-------------------------	---

M

Microchip Internet Web Site	251
MRF24XA	5

P

Packaging Information	245
PIE2	25
PIE3	26
Power-Saving Features	210
proprietary MAC	169

R

Received Signal Strength Indicator (RSSI)	7
Recommended Operating Conditions	241
RXLISTEN	204

S

Synthesizer	199
-------------------	-----

W

WWW Address	251
WWW, On-Line Support	3

MRF24XA

NOTES:

Note the following details of the code protection feature on Microchip devices:

- Microchip products meet the specification contained in their particular Microchip Data Sheet.
- Microchip believes that its family of products is one of the most secure families of its kind on the market today, when used in the intended manner and under normal conditions.
- There are dishonest and possibly illegal methods used to breach the code protection feature. All of these methods, to our knowledge, require using the Microchip products in a manner outside the operating specifications contained in Microchip's Data Sheets. Most likely, the person doing so is engaged in theft of intellectual property.
- Microchip is willing to work with the customer who is concerned about the integrity of their code.
- Neither Microchip nor any other semiconductor manufacturer can guarantee the security of their code. Code protection does not mean that we are guaranteeing the product as “unbreakable.”

Code protection is constantly evolving. We at Microchip are committed to continuously improving the code protection features of our products. Attempts to break Microchip's code protection feature may be a violation of the Digital Millennium Copyright Act. If such acts allow unauthorized access to your software or other copyrighted work, you may have a right to sue for relief under that Act.

Information contained in this publication regarding device applications and the like is provided only for your convenience and may be superseded by updates. It is your responsibility to ensure that your application meets with your specifications. MICROCHIP MAKES NO REPRESENTATIONS OR WARRANTIES OF ANY KIND WHETHER EXPRESS OR IMPLIED, WRITTEN OR ORAL, STATUTORY OR OTHERWISE, RELATED TO THE INFORMATION, INCLUDING BUT NOT LIMITED TO ITS CONDITION, QUALITY, PERFORMANCE, MERCHANTABILITY OR FITNESS FOR PURPOSE. Microchip disclaims all liability arising from this information and its use. Use of Microchip devices in life support and/or safety applications is entirely at the buyer's risk, and the buyer agrees to defend, indemnify and hold harmless Microchip from any and all damages, claims, suits, or expenses resulting from such use. No licenses are conveyed, implicitly or otherwise, under any Microchip intellectual property rights.

Trademarks

The Microchip name and logo, the Microchip logo, dsPIC, FlashFlex, flexPWR, JukeBlox, KEELOQ, KEELOQ logo, Klear, LANCheck, MediaLB, MOST, MOST logo, MPLAB, OptoLyzer, PIC, PICSTART, PIC³² logo, RightTouch, SpyNIC, SST, SST Logo, SuperFlash and UNI/O are registered trademarks of Microchip Technology Incorporated in the U.S.A. and other countries.

The Embedded Control Solutions Company and mTouch are registered trademarks of Microchip Technology Incorporated in the U.S.A.

Analog-for-the-Digital Age, BodyCom, chipKIT, chipKIT logo, CodeGuard, dsPICDEM, dsPICDEM.net, ECAN, In-Circuit Serial Programming, ICSP, Inter-Chip Connectivity, KlearNet, KlearNet logo, MiWi, MPASM, MPF, MPLAB Certified logo, MPLIB, MPLINK, MultiTRAK, NetDetach, Omniscient Code Generation, PICDEM, PICDEM.net, PICkit, PICtail, RightTouch logo, REAL ICE, SQI, Serial Quad I/O, Total Endurance, TSHARC, USBCheck, VariSense, ViewSpan, WiperLock, Wireless DNA, and ZENA are trademarks of Microchip Technology Incorporated in the U.S.A. and other countries.

SQTP is a service mark of Microchip Technology Incorporated in the U.S.A.

Silicon Storage Technology is a registered trademark of Microchip Technology Inc. in other countries.

GestIC is a registered trademarks of Microchip Technology Germany II GmbH & Co. KG, a subsidiary of Microchip Technology Inc., in other countries.

All other trademarks mentioned herein are property of their respective companies.

© 2015, Microchip Technology Incorporated, Printed in the U.S.A., All Rights Reserved.

ISBN: 978-1-63277-137-7

QUALITY MANAGEMENT SYSTEM
CERTIFIED BY DNV
== ISO/TS 16949 ==

Microchip received ISO/TS-16949:2009 certification for its worldwide headquarters, design and wafer fabrication facilities in Chandler and Tempe, Arizona; Gresham, Oregon and design centers in California and India. The Company's quality system processes and procedures are for its PIC® MCUs and dsPIC® DSCs, KEELOQ® code hopping devices, Serial EEPROMs, microperipherals, nonvolatile memory and analog products. In addition, Microchip's quality system for the design and manufacture of development systems is ISO 9001:2000 certified.



MICROCHIP

Worldwide Sales and Service

AMERICAS

Corporate Office
2355 West Chandler Blvd.
Chandler, AZ 85224-6199
Tel: 480-792-7200
Fax: 480-792-7277
Technical Support:
<http://www.microchip.com/support>

Web Address:
www.microchip.com

Atlanta
Duluth, GA
Tel: 678-957-9614
Fax: 678-957-1455

Austin, TX
Tel: 512-257-3370

Boston
Westborough, MA
Tel: 774-760-0087
Fax: 774-760-0088

Chicago
Itasca, IL
Tel: 630-285-0071
Fax: 630-285-0075

Cleveland
Independence, OH
Tel: 216-447-0464
Fax: 216-447-0643

Dallas
Addison, TX
Tel: 972-818-7423
Fax: 972-818-2924

Detroit
Novi, MI
Tel: 248-848-4000

Houston, TX
Tel: 281-894-5983

Indianapolis
Noblesville, IN
Tel: 317-773-8323
Fax: 317-773-5453

Los Angeles
Mission Viejo, CA
Tel: 949-462-9523
Fax: 949-462-9608

New York, NY
Tel: 631-435-6000

San Jose, CA
Tel: 408-735-9110

Canada - Toronto
Tel: 905-673-0699
Fax: 905-673-6509

ASIA/PACIFIC

Asia Pacific Office
Suites 3707-14, 37th Floor
Tower 6, The Gateway
Harbour City, Kowloon
Hong Kong
Tel: 852-2943-5100
Fax: 852-2401-3431

Australia - Sydney
Tel: 61-2-9868-6733
Fax: 61-2-9868-6755

China - Beijing
Tel: 86-10-8569-7000
Fax: 86-10-8528-2104

China - Chengdu
Tel: 86-28-8665-5511
Fax: 86-28-8665-7889

China - Chongqing
Tel: 86-23-8980-9588
Fax: 86-23-8980-9500

China - Dongguan
Tel: 86-769-8702-9880

China - Hangzhou
Tel: 86-571-8792-8115
Fax: 86-571-8792-8116

China - Hong Kong SAR
Tel: 852-2943-5100
Fax: 852-2401-3431

China - Nanjing
Tel: 86-25-8473-2460
Fax: 86-25-8473-2470

China - Qingdao
Tel: 86-532-8502-7355
Fax: 86-532-8502-7205

China - Shanghai
Tel: 86-21-5407-5533
Fax: 86-21-5407-5066

China - Shenyang
Tel: 86-24-2334-2829
Fax: 86-24-2334-2393

China - Shenzhen
Tel: 86-755-8864-2200
Fax: 86-755-8203-1760

China - Wuhan
Tel: 86-27-5980-5300
Fax: 86-27-5980-5118

China - Xian
Tel: 86-29-8833-7252
Fax: 86-29-8833-7256

ASIA/PACIFIC

China - Xiamen
Tel: 86-592-2388138
Fax: 86-592-2388130

China - Zhuhai
Tel: 86-756-3210040
Fax: 86-756-3210049

India - Bangalore
Tel: 91-80-3090-4444
Fax: 91-80-3090-4123

India - New Delhi
Tel: 91-11-4160-8631
Fax: 91-11-4160-8632

India - Pune
Tel: 91-20-3019-1500

Japan - Osaka
Tel: 81-6-6152-7160
Fax: 81-6-6152-9310

Japan - Tokyo
Tel: 81-3-6880-3770
Fax: 81-3-6880-3771

Korea - Daegu
Tel: 82-53-744-4301
Fax: 82-53-744-4302

Korea - Seoul
Tel: 82-2-554-7200
Fax: 82-2-558-5932 or
82-2-558-5934

Malaysia - Kuala Lumpur
Tel: 60-3-6201-9857
Fax: 60-3-6201-9859

Malaysia - Penang
Tel: 60-4-227-8870
Fax: 60-4-227-4068

Philippines - Manila
Tel: 63-2-634-9065
Fax: 63-2-634-9069

Singapore
Tel: 65-6334-8870
Fax: 65-6334-8850

Taiwan - Hsin Chu
Tel: 886-3-5778-366
Fax: 886-3-5770-955

Taiwan - Kaohsiung
Tel: 886-7-213-7828

Taiwan - Taipei
Tel: 886-2-2508-8600
Fax: 886-2-2508-0102

Thailand - Bangkok
Tel: 66-2-694-1351
Fax: 66-2-694-1350

EUROPE

Austria - Wels
Tel: 43-7242-2244-39
Fax: 43-7242-2244-393

Denmark - Copenhagen
Tel: 45-4450-2828
Fax: 45-4485-2829

France - Paris
Tel: 33-1-69-53-63-20
Fax: 33-1-69-30-90-79

Germany - Dusseldorf
Tel: 49-2129-3766400

Germany - Munich
Tel: 49-89-627-144-0
Fax: 49-89-627-144-44

Germany - Pforzheim
Tel: 49-7231-424750

Italy - Milan
Tel: 39-0331-742611
Fax: 39-0331-466781

Italy - Venice
Tel: 39-049-7625286

Netherlands - Drunen
Tel: 31-416-690399
Fax: 31-416-690340

Poland - Warsaw
Tel: 48-22-3325737

Spain - Madrid
Tel: 34-91-708-08-90
Fax: 34-91-708-08-91

Sweden - Stockholm
Tel: 46-8-5090-4654

UK - Wokingham
Tel: 44-118-921-5800
Fax: 44-118-921-5820

01/27/15

Looking for pricing, stock, or lifecycle information?

Click below to explore more details on WIN SOURCE:

- ⊖ [View MRF24XA-I/MQ on WIN SOURCE](#)
- ⊖ [Microchip Technology Information](#)

Optimize Your Supply Chain with WIN SOURCE Solutions

- ✓ Global Sourcing Solution
- ✓ Obsolete Management
- ✓ Cost Control Management
- ✓ Shortage Management
- ✓ Alternative Solution
- ✓ Excess Inventory Management