



THE DATASHEET OF
37533





TITLE

T1/E1 QUAD TRANSFORMER

PN

37531

REV

E

AGENCY APPROVAL: NA

SH

2 OF 12

CATALOG SHEET

SPECIFICATIONS

EXTENDED TEMP RANGE (-40C TO +85C)

1. INDUCTANCE: (PRI'S)

1.2mH MIN. @ 0.01v, 100kHz, (25C)

600µh MIN. @ 0.01V, 100kHz, (-40C TO +85C)

2. LEAKAGE INDUCTANCE: (PRI W/ SEC SHORTED)

.35µH MAX @ 1MHz

3. TURNS RATIO:

(PRI TO SEC)= 1 : 2CT ± 2%

4. INTERWINDING CAPACITANCE:(PRI TO SEC)

30 pf MAX @ 1MHz

5. DC RESISTANCE:

PRI = 0.6 OHMS MAX

SEC = 1.0 OHMS MAX

6. DIELECTRIC STRENGTH: (PRI TO SEC)

1500 VAC FOR 60 SECONDS

7. RETURN LOSS: (WINDING WITH TURNS RATIO 2 IS 100 OHM REF.)

51KHz TO 102KHz 12dB MIN

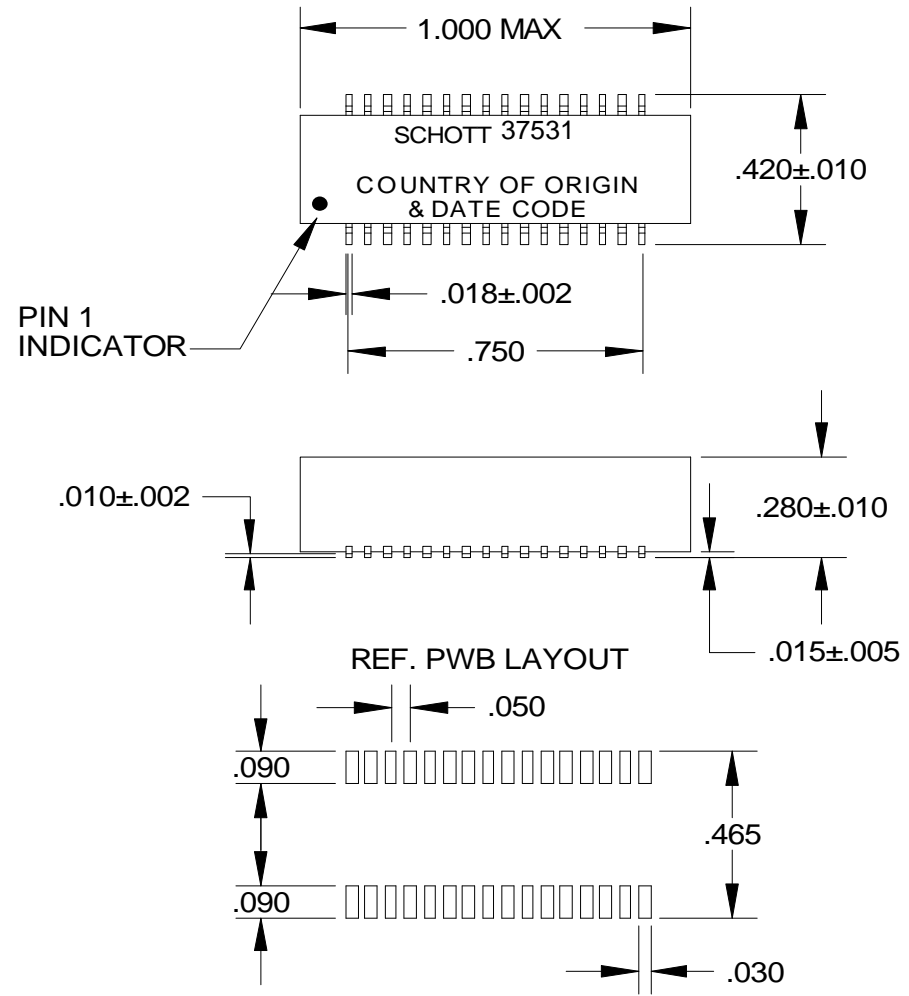
102KHz TO 2.048MHz 18dB MIN

2.048MHz TO 3.072 MHz 14dB MIN

8. CROSS TALK: 65dB OR BETTER

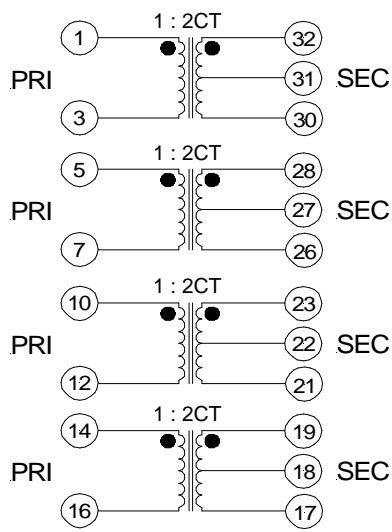
9. COMMON MODE REJECTION RATIO: 50 dB OR BETTER @ 1MHz

DIMENSIONAL OUTLINE



COPLANARITY OF PINS IS LESS THEN OR EQUAL TO 0.004 INCHES

SCHEMATIC



TOLERANCES UNLESS OTHERWISE SPECIFIED

INCHES / DECIMAL	.XX = ± .01	.XXX = ± .005	ANGLES ± 1°
MILLIMETERS (mm)	.XX = ± 0.20		

Looking for pricing, stock, or lifecycle information?

Click below to explore more details on WIN SOURCE:

- ⊖ [View 37533 on WIN SOURCE](#)
- ⊖ [SCHOTT CORPORATION](#) Information

Optimize Your Supply Chain with WIN SOURCE Solutions

- ✓ Global Sourcing Solution
- ✓ Obsolete Management
- ✓ Cost Control Management
- ✓ Shortage Management
- ✓ Alternative Solution
- ✓ Excess Inventory Management