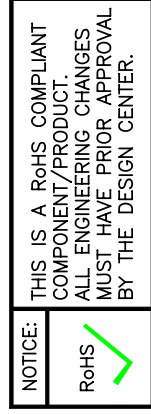
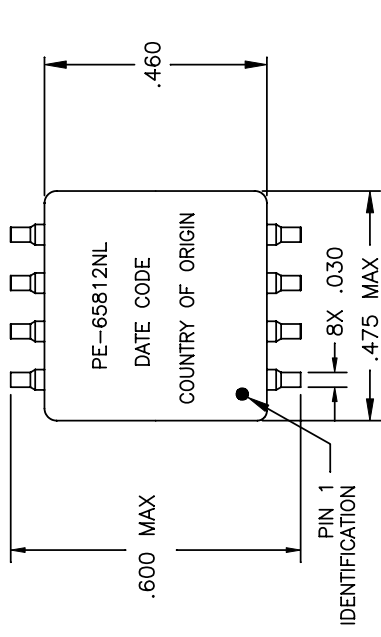


NOTES: UNLESS OTHERWISE SPECIFIED

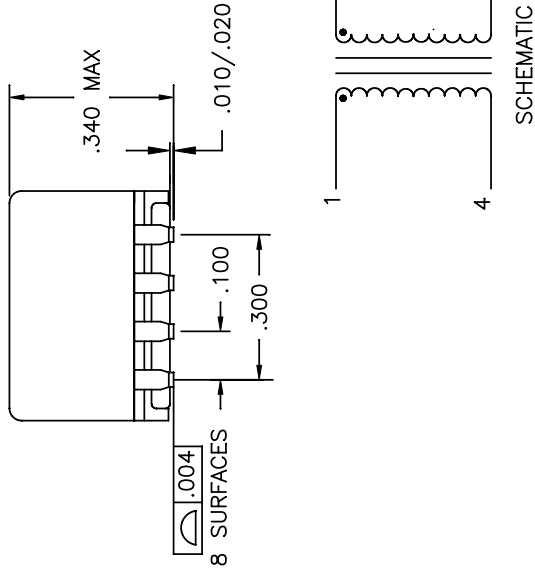


- THIS IS A RoHS COMPLIANT COMPONENT/PRODUCT. ALL ENGINEERING CHANGES MUST HAVE PRIOR APPROVAL BY THE DESIGN CENTER.
- PLASTIC: THERMOSET PLASTIC MATERIAL WITH FLAMMABILITY RATING UL 94V-0 OR BETTER.
- SOLDERABILITY: CONFORMS TO ANSI/J-STD-002, 245°C REFLOW PEAK TEMPERATURE PER IPC/EIA J-STD-003A
- OPERATING TEMPERATURE: 0°C TO +70°C
- STORAGE TEMPERATURE: -20°C TO +125°C
- JEDEC MOISTURE: LEVEL 1
- DIMENSIONS ARE IN INCHES WITH THE FOLLOWING TOLERANCES:
 .XX = ±.02 .XXX = ±.010



ELECTRICAL CHARACTERISTICS AT +25°C UNLESS OTHER SPECIFIED

No.	PARAMETER	SPECIFICATION
1	TURNS RATIO @10 KHZ, 0.2 VRMS	$\frac{(1-4)}{(8-5)} = 1.00 \pm 2\%$
2	INDUCTANCE @100 KHZ, 0.02 VRMS	(1-4) = 2.5 mH ±20%
3	LEAKAGE INDUCTANCE (LL) @100 KHZ, 0.02 VRMS	(1-4) WITH (8-5) SHORTED = 0.35 µH MAXIMUM
4	CWW @100 KHZ, 0.02 VRMS	(1-4) TO (8-5) = 40 pF MAXIMUM
5	INSERTION LOSS	100 KHZ TO 55 MHZ -3 dB MAXIMUM
6	RETURN LOSS	100 KHZ -22 dB MINIMUM 10 MHZ -20 dB MINIMUM
7	COMMON MODE REJECTION	100 KHZ 1 MHZ 3 MHZ 6 MHZ 10 MHZ 30 MHZ -75 dB -70 dB -60 dB -50 dB -40 dB -25 dB
8	HIPOT:	2000 VAC FOR 60 SECONDS



© Copyright, 2013, Pulse Electronics Corp. All rights reserved. Drawing specifications subject to change without notice. (08/08/13)

PULSE CONFIDENTIAL & PROPRIETARY	PRODUCT DESCRIPTION XFMR,SGL,DGTL/AUD,LA,1:1,RL	PS DRAWING	SHEET: 1	DWG. NO. PE-65
--	--	------------	-------------	-------------------

Looking for pricing, stock, or lifecycle information?

Click below to explore more details on WIN SOURCE:

 [View PE-65812NL on WIN SOURCE](#)

 [Pulse Information](#)

Optimize Your Supply Chain with WIN SOURCE Solutions

-  Global Sourcing Solution
-  Obsolete Management
-  Cost Control Management
-  Shortage Management
-  Alternative Solution
-  Excess Inventory Management