



# THE DATASHEET OF RHEF550



**Specification Status: Released**

**Electrical Rating**

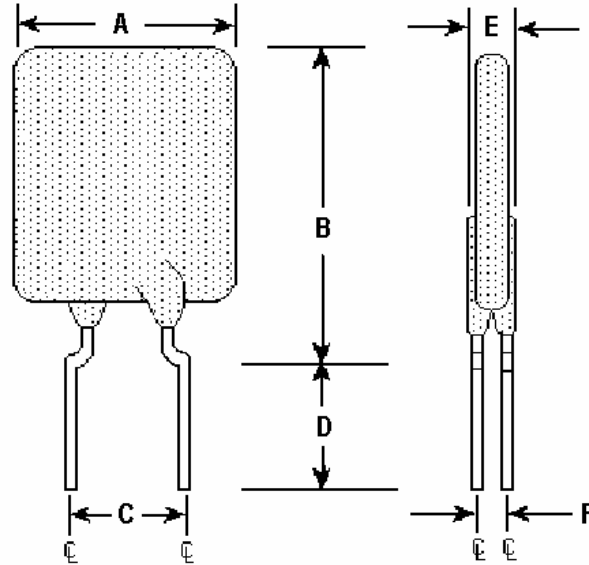
**Voltage: 16V<sub>DC</sub> MAX**  
**Current: 100A MAX**

**Insulating Material:**  
Cured, Flame Retardant Epoxy Polymer  
meets UL94 V-0 Requirements

**Lead Material:**  
20 AWG Tin Plated Copper  
(0.8 mm [0.032] nom. diameter)

**Marking:**  
— Manufacturer's Mark  
⊗ H5.5 and Part Identification

□ □ □ □ — Lot Identification



**TABLE I. DIMENSIONS:**

|      | A   |        | B   |        | C      |        | D     |     | E   |        | F      |
|------|-----|--------|-----|--------|--------|--------|-------|-----|-----|--------|--------|
|      | MIN | MAX    | MIN | MAX    | MIN    | MAX    | MIN   | MAX | MIN | MAX    | TYP    |
| mm:  | --  | 11.2   | --  | 18.9   | 4.3    | 5.8    | 7.6   | --  | --  | 3      | 1.2    |
| in*: | --  | (0.44) | --  | (0.74) | (0.17) | (0.23) | (0.3) | --  | --  | (0.12) | (0.05) |

\*Rounded off approximation

**TABLE II. PERFORMANCE RATINGS:**

| I HOLD<br>RATED<br>CURRENT | CURRENT<br>RATINGS      |                                | TIME TO<br>TRIP                  | INITIAL RESISTANCE<br>VALUES |       | ONE-HOUR<br>POST-TRIP<br>RESISTANCE<br>STANDARD TRIP | NOMINAL TRIPPED<br>POWER<br>DISSIPATION |
|----------------------------|-------------------------|--------------------------------|----------------------------------|------------------------------|-------|--|---|
|                            | AMPS<br>AT 25°C<br>HOLD | AMPS AT<br>25°C<br>HOLD   TRIP | SECONDS AT<br>25°C, 27.5A<br>MAX | OHMS<br>AT 25°C<br>MIN   MAX |       | OHMS<br>AT 25°C<br>MAX                               | WATTS AT<br>25°C 16V<br>TYP             |
| 5.5                        | 5.5                     | 10.0                           | 6.0                              | 0.015                        | 0.025 | 0.037  | 3.5                                     |

Agency Recognitions: UL, CSA, TUV.  
Reference Documents: PS300  
Precedence: This specification takes precedence over documents referenced herein.  
Effectivity: Reference documents shall be the issue in effect on the date of invitation for bid.  
CAUTION: Operation beyond the rated voltage or current may result in rupture, electrical arcing or flame.

**Materials Information**

**ROHS Compliant**

**ELV Compliant**

**Pb-Free**

**Halogen Free\***

Directive 2002/95/EC  
Compliant

Directive 2000/53/EC  
Compliant



\* Halogen Free refers to: Br≤900ppm, Cl≤900ppm, Br+Cl≤1500ppm.

Information furnished is believed to be accurate and reliable. However, users should independently evaluate the suitability of and test each product selected for their Own applications. Littelfuse products are not designed for, and shall not be used for, any purpose (including, without limitation, military, aerospace, medical, lifesaving, life-sustaining or nuclear facility applications, devices intended for surgical implant into the body, or any other application in which the failure or lack of desired operation of the product may result in personal injury, death, or property damage) other than those expressly set forth in applicable Littelfuse product documentation. Warranties granted by Littelfuse shall be deemed void for products used for any purpose not expressly set forth in applicable Littelfuse documentation. Littelfuse shall not be liable for any claims or damages arising out of products used in applications not expressly intended by Littelfuse as set forth in applicable Littelfuse documentation. The sale and use of Littelfuse products is subject to Littelfuse Terms and Conditions of Sale, unless otherwise agreed by Littelfuse.

## Looking for pricing, stock, or lifecycle information?

Click below to explore more details on WIN SOURCE:

 [View RHEF550 on WIN SOURCE](#)

 [Littelfuse Inc. Information](#)

## Optimize Your Supply Chain with WIN SOURCE Solutions

-  Global Sourcing Solution
-  Obsolete Management
-  Cost Control Management
-  Shortage Management
-  Alternative Solution
-  Excess Inventory Management