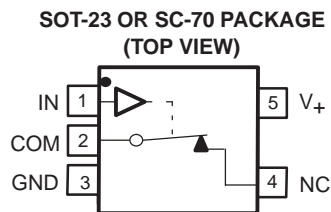


Description

The MAX4597 is a single-pole single-throw (SPST) analog switch that is designed to operate from 2 V to 5.5 V. This device can handle both digital and analog signals, and signals up to V_+ can be transmitted in either direction.

Applications

- Sample-and-Hold Circuits
- Battery-Powered Equipment (Cellular Phones, PDAs)
- Audio and Video Signal Routing
- Communication Circuits
- PCMCIA Cards



FUNCTION TABLE

| IN | NC TO COM, COM TO NC |
|----|-------------------------|
| L | ON |
| H | OFF |

Features

- Low ON-State Resistance (10 Ω)
- ON-State Resistance Flatness (1.5 Ω)
- Control Inputs Are 5.5-V Tolerant
- Low Charge Injection (5 pC Max)
- 300-MHz –3-dB Bandwidth at 25°C
- Low Total Harmonic Distortion (THD) (0.05%)
- 2-V to 5.5-V Single-Supply Operation
- Specified at 5-V and 3.3-V Nodes
- –83-dB OFF Isolation at 1 MHz
- Latch-Up Performance Exceeds 100 mA Per JESD 78, Class II
- 0.5-nA Max OFF Leakage
- ESD Performance Tested Per JESD 22
 - 2000-V Human-Body Model (A114-B, Class II)
 - 1000-V Charged-Device Model (C101)
- TTL/CMOS-Logic Compatible

Summary of Characteristics

$V_+ = 5\text{ V}$, $T_A = 25^\circ\text{C}$

| Configuration | Single Pole Single Throw (SPST) |
|---|---------------------------------|
| Number of channels | 1 |
| ON-state resistance (r_{ON}) | 10 Ω |
| ON-state resistance flatness ($r_{ON(FLAT)}$) | 1.5 Ω |
| Turn-on/turn-off time (t_{ON}/t_{OFF}) | 35 ns/40 ns |
| Charge injection (Q_C) | 5 pC |
| Bandwidth (BW) | 300 MHz |
| OFF isolation (O_{ISO}) | –83 dB at 1 MHz |
| Total harmonic distortion (THD) | 0.05% |
| Leakage current ($I_{COM(OFF)}/I_{NC(OFF)}$) | ±0.05 nA |
| Power-supply current (I_+) | 1 μA |
| Package option | 5-pin SOT-23 or SC-70 |

ORDERING INFORMATION

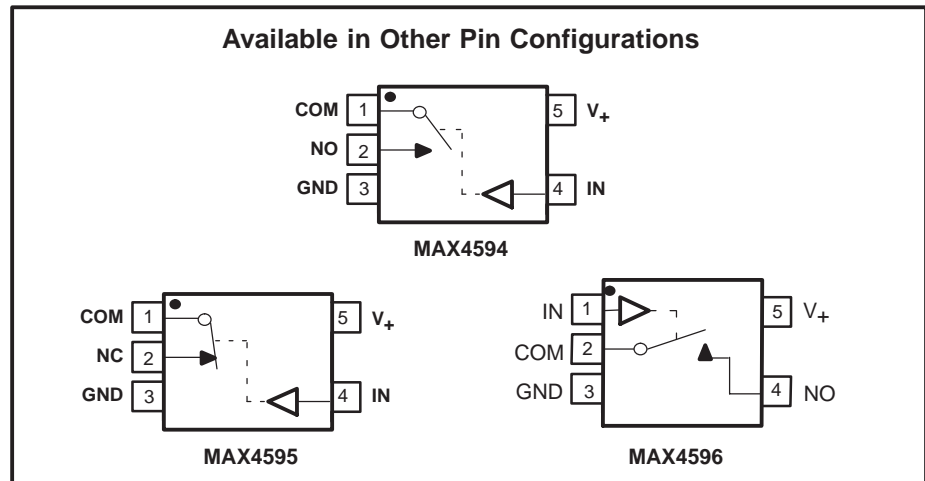
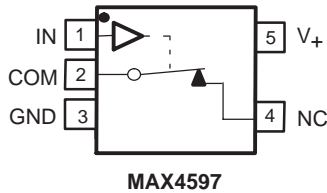
| T_A | PACKAGE(1) | | ORDERABLE PART NUMBER | TOP-SIDE MARKING(2) |
|---------------|--------------------|---------------|-----------------------|---------------------|
| –40°C to 85°C | SOT (SOT-23) – DBV | Tape and reel | MAX4597DBVR | 6SD_ |
| | SOT (SC-70) – DCK | Tape and reel | MAX4597DCKR | SD_ |

(1) Package drawings, standard packing quantities, thermal data, symbolization, and PCB design guidelines are available at www.ti.com/sc/package.
 (2) DBV/DCK: The actual top-side marking has one additional character that designates the assembly/test site.



Please be aware that an important notice concerning availability, standard warranty, and use in critical applications of Texas Instruments semiconductor products and disclaimers thereto appears at the end of this data sheet.

Pin Configurations



Absolute Minimum and Maximum Ratings(1)(2)

over operating free-air temperature range (unless otherwise noted)

| | | MIN | MAX | UNIT |
|-----------------------|-----------------------------------|--------------------------------|-------------|------|
| V_+ | Supply voltage range(3) | -0.3 | 6 | V |
| V_{NC} V_{COM} | Analog voltage range(3)(4) | -0.3 | $V_+ + 0.3$ | V |
| I_K | Analog port diode current | $V_{NC}, V_{COM} < 0$ | | mA |
| I_{NC} I_{COM} | On-state switch current | $V_{NC}, V_{COM} = 0$ to V_+ | | mA |
| V_I | Digital input voltage range(3)(4) | -0.3 | 6 | V |
| I_{IK} | Digital input clamp current | $V_I < 0$ | | mA |
| I_+ | Continuous current through V_+ | | 100 | mA |
| I_{GND} | Continuous current through GND | -100 | | mA |
| θ_{JA} | Package thermal impedance(5) | DBV package | | 206 |
| | | DCK package | | 252 |
| T_{stg} | Storage temperature range | -65 | 150 | °C |

(1) Stresses above these ratings may cause permanent damage. Exposure to absolute maximum conditions for extended periods may degrade device reliability. These are stress ratings only, and functional operation of the device at these or any other conditions beyond those specified is not implied.

(2) The algebraic convention, whereby the most negative value is a minimum and the most positive value is a maximum

(3) All voltages are with respect to ground, unless otherwise specified.

(4) The input and output voltage ratings may be exceeded if the input and output clamp-current ratings are observed.

(5) The package thermal impedance is calculated in accordance with JESD 51-7.

Electrical Characteristics for 5-V Supply⁽¹⁾
 $V_+ = 4.5\text{ V to }5.5\text{ V}$, $T_A = -40^\circ\text{C to }85^\circ\text{C}$ (unless otherwise noted)

| PARAMETER | SYMBOL | TEST CONDITIONS | T_A | V_+ | MIN | TYP | MAX | UNIT |
|-----------------------------------|-------------------------|--|------------------------------|--------------|-------|------|------------------|------|
| Analog Switch | | | | | | | | |
| Analog signal range | V_{COM} , V_{NC} | | | | 0 | | V_+ | V |
| ON-state resistance | r_{on} | $V_{NC} = 3.5\text{ V}$, $I_{COM} = 10\text{ mA}$, | Switch ON, See Figure 13 | 25°C Full | 4.5 V | 6.5 | 10 12 | Ω |
| ON-state resistance flatness | $r_{on(Flat)}$ | $V_{NC} = 1.5\text{ V}, 2.5\text{ V}, 3.5\text{ V}$, $I_{COM} = 10\text{ mA}$, | Switch ON, See Figure 13 | 25°C Full | 4.5 V | 0.5 | 1.5 2 | Ω |
| NC OFF leakage current | $I_{NC(OFF)}$ | $V_{NC} = 1\text{ V}, V_{COM} = 4.5\text{ V}$, or $V_{NC} = 4.5\text{ V}, V_{COM} = 1\text{ V}$, | Switch OFF, See Figure 14 | 25°C Full | 5.5 V | -0.5 | 0.01 0.5 5 | nA |
| COM OFF leakage current | $I_{COM(OFF)}$ | $V_{COM} = 1\text{ V}, V_{NC} = 4.5\text{ V}$, or $V_{COM} = 4.5\text{ V}, V_{NC} = 1\text{ V}$, | Switch OFF, See Figure 14 | 25°C Full | 5.5 V | -0.5 | 0.01 0.5 5 | nA |
| NC ON leakage current | $I_{NC(ON)}$ | $V_{NC} = 1\text{ V}, V_{COM} = 1\text{ V}$, or $V_{NC} = 4.5\text{ V}, V_{COM} = 4.5\text{ V}$, or $V_{NC} = 1\text{ V}, 4.5\text{ V}, V_{COM} = \text{Open}$, | Switch ON, See Figure 15 | 25°C Full | 5.5 V | -1 | 0.01 1 10 | nA |
| COM ON leakage current | $I_{COM(ON)}$ | $V_{COM} = 1\text{ V}, V_{NC} = 1\text{ V}$, or $V_{COM} = 4.5\text{ V}, V_{NC} = 4.5\text{ V}$, or $V_{COM} = 1\text{ V}, 4.5\text{ V}, V_{NC} = \text{Open}$, | Switch ON, See Figure 15 | 25°C Full | 5.5 V | -1 | 0.01 1 10 | nA |
| Digital Control Input (IN) | | | | | | | | |
| Input logic high | V_{IH} | | | Full | | 2.4 | 5.5 | V |
| Input logic low | V_{IL} | | | Full | | 0 | 0.8 | V |
| Input leakage current | I_{IH}, I_{IL} | $V_I = 5.5\text{ V or }0$ | | 25°C Full | 5.5 V | -1 | 0.03 1 1 | μA |

⁽¹⁾ The algebraic convention, whereby the most negative value is a minimum and the most positive value is a maximum

MAX4597

SINGLE-CHANNEL 10-Ω SPST ANALOG SWITCH

SLLS642 – JANUARY 2005

Electrical Characteristics for 5-V Supply⁽¹⁾ (continued)

$V_+ = 4.5\text{ V to }5.5\text{ V}$, $T_A = -40^\circ\text{C to }85^\circ\text{C}$ (unless otherwise noted)

| PARAMETER | SYMBOL | TEST CONDITIONS | T_A | V_+ | MIN | TYP | MAX | UNIT |
|---------------------------|----------------|---|--|-------|----------------|------|-----|---------------|
| Dynamic | | | | | | | | |
| Turn-on time | t_{ON} | $V_{NC} = 3\text{ V}$, $R_L = 300\ \Omega$, | $C_L = 35\text{ pF}$, See Figure 17 | 25°C | 5 V | 20 | 35 | ns |
| | | | | Full | 4.5 V to 5.5 V | | 45 | |
| Turn-off time | t_{OFF} | $V_{NC} = 3\text{ V}$, $R_L = 300\ \Omega$, | $C_L = 35\text{ pF}$, See Figure 17 | 25°C | 5 V | 25 | 40 | ns |
| | | | | Full | 4.5 V to 5.5 V | | 50 | |
| Charge injection | Q_C | $V_{GEN} = 0$, $R_{GEN} = 0$, | $C_L = 1\text{ nF}$, See Figure 20 | 25°C | 5 V | 2 | 5 | pC |
| NC OFF capacitance | $C_{NC(OFF)}$ | $V_{NC} = 0$, $f = 1\text{ MHz}$, | Switch OFF, See Figure 16 | 25°C | 5 V | 8 | | pF |
| COM OFF capacitance | $C_{COM(OFF)}$ | $V_{COM} = 0$, $f = 1\text{ MHz}$, | Switch OFF, See Figure 16 | 25°C | 5 V | 8 | | pF |
| NC ON capacitance | $C_{NC(ON)}$ | $V_{NC} = 0$, $f = 1\text{ MHz}$, | Switch ON, See Figure 16 | 25°C | 5 V | 20 | | pF |
| COM ON capacitance | $C_{COM(ON)}$ | $V_{COM} = 0$, $f = 1\text{ MHz}$, | Switch ON, See Figure 16 | 25°C | 5 V | 20 | | pF |
| Digital input capacitance | C_I | $V_I = V_+$ or GND, | See Figure 16 | 25°C | 5 V | 3 | | pF |
| Bandwidth | BW | $R_L = 50\ \Omega$, Signal = 0 dBm, | Switch ON, See Figure 18 | 25°C | 5 V | 300 | | MHz |
| OFF isolation | O_{ISO} | $R_L = 50\ \Omega$, $f = 10\text{ MHz}$, $V_{NC} = 1\text{ V}_{RMS}$, | Switch OFF, See Figure 19 | 25°C | 5 V | -83 | | dB |
| Total harmonic distortion | THD | $R_L = 600\ \Omega$, $C_L = 50\text{ pF}$, $V_{SOURCE} = 5\text{ V}_{p-p}$, | $f = 20\text{ Hz to }20\text{ kHz}$, See Figure 21 | 25°C | 5 V | 0.05 | | % |
| Supply | | | | | | | | |
| Positive supply current | I_+ | $V_I = V_+$ or GND, | Switch ON or OFF | Full | 5.5 V | | 1 | μA |

(1) The algebraic convention, whereby the most negative value is a minimum and the most positive value is a maximum

Electrical Characteristics for 3-V Supply⁽¹⁾
 $V_+ = 2.7\text{ V to }3.6\text{ V}$, $T_A = -40^\circ\text{C to }85^\circ\text{C}$ (unless otherwise noted)

| PARAMETER | SYMBOL | TEST CONDITIONS | T_A | V_+ | MIN | TYP | MAX | UNIT |
|-----------------------------------|-------------------------|---|---|--------------|-----------------------|-----|-----------|------|
| Analog Switch | | | | | | | | |
| Analog signal range | V_{COM} , V_{NC} | | | | 0 | | V_+ | V |
| ON-state resistance | r_{on} | $V_{NC} = 1.5\text{ V}$, $I_{COM} = 10\text{ mA}$, | Switch ON, See Figure 13 | 25°C Full | 2.7 V | 10 | 20 25 | Ω |
| Digital Control Input (IN) | | | | | | | | |
| Input logic high | V_{IH} | | | Full | | 2 | 5.5 | V |
| Input logic low | V_{IL} | | | Full | | 0 | 0.8 | V |
| Input leakage current | I_{IH} , I_{IL} | $V_I = V_+$ or 0 | | 25°C Full | 3.6 V | -1 | 0.03 1 | μA |
| Dynamic | | | | | | | | |
| Turn-on time | t_{ON} | $V_{COM} = 2\text{ V}$, $R_L = 300\text{ Ω}$, | $C_L = 35\text{ pF}$, See Figure 17 | 25°C Full | 3 V 2.7 V to 3.6 V | 25 | 45 55 | ns |
| Turn-off time | t_{OFF} | $V_{COM} = 2\text{ V}$, $R_L = 300\text{ Ω}$, | $C_L = 35\text{ pF}$, See Figure 17 | 25°C Full | 3 V 2.7 V to 3.6 V | 30 | 50 60 | ns |
| Charge injection | Q_C | $V_{NC} = 0$, $C_L = 1\text{ nF}$, | See Figure 20 | 25°C | 3 V | 2 | 4 | pC |
| Supply | | | | | | | | |
| Positive supply current | I_+ | $V_I = V_+$ or GND, | Switch ON or OFF | Full | 3.6 V | | 1 | μA |

⁽¹⁾ The algebraic convention, whereby the most negative value is a minimum and the most positive value is a maximum

TYPICAL PERFORMANCE

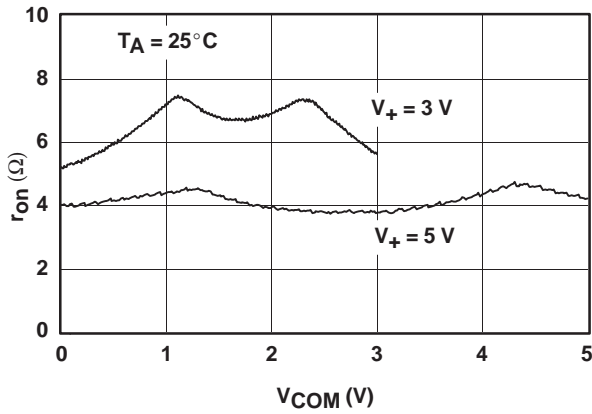


Figure 1. r_{on} vs V_{COM}

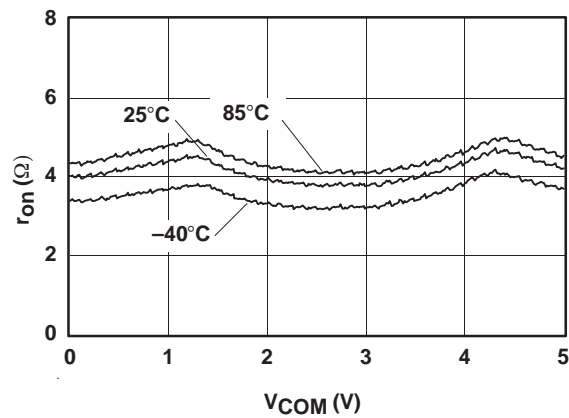


Figure 2. r_{on} vs V_{COM} ($V_+ = 5V$)

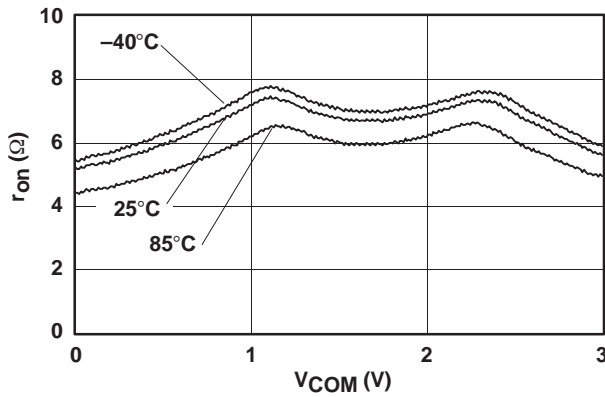


Figure 3. r_{on} vs V_{COM} ($V_+ = 3V$)

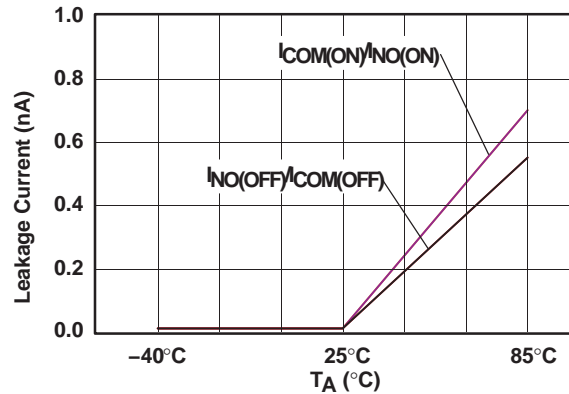


Figure 4. Leakage Current vs Temperature ($V_+ = 5V$)

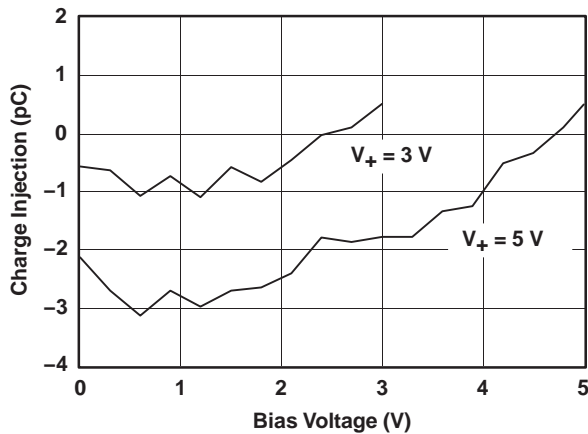


Figure 5. Charge-Injection (Q_C) vs V_{COM}

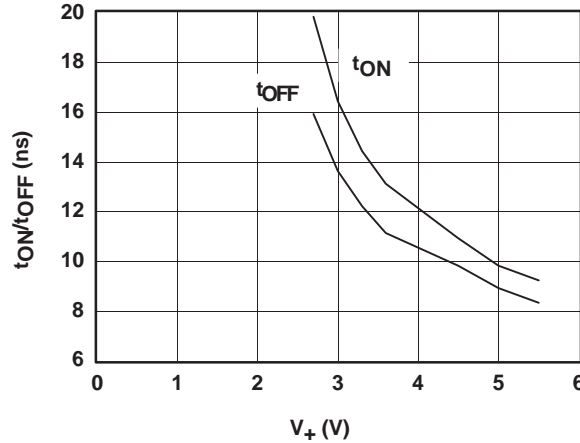


Figure 6. t_{ON} and t_{OFF} vs Supply Voltage

TYPICAL PERFORMANCE

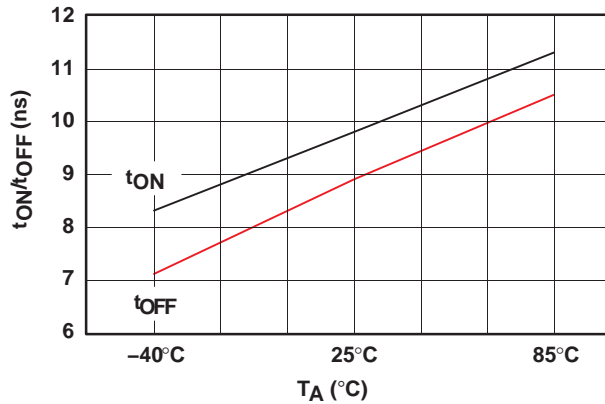


Figure 7. t_{ON} and t_{OFF} vs Temperature ($V_+ = 5\text{ V}$)

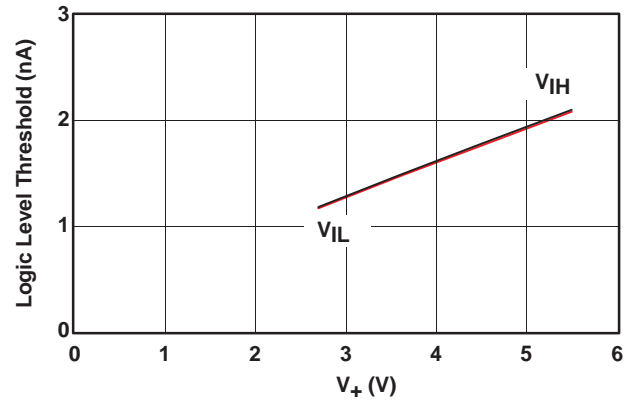


Figure 8. Logic-Level Threshold vs V_+

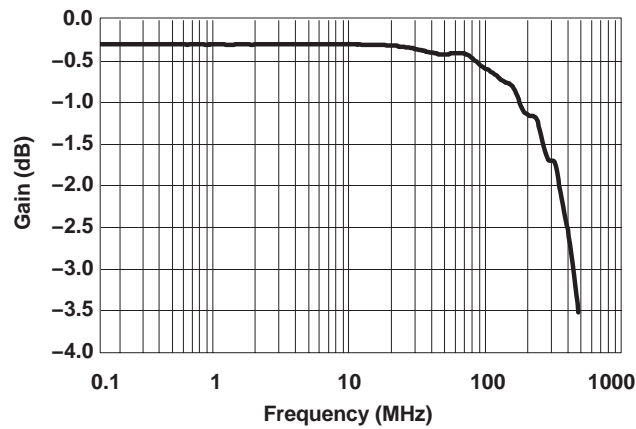


Figure 9. Bandwidth (Gain vs Frequency) ($V_+ = 5\text{ V}$)

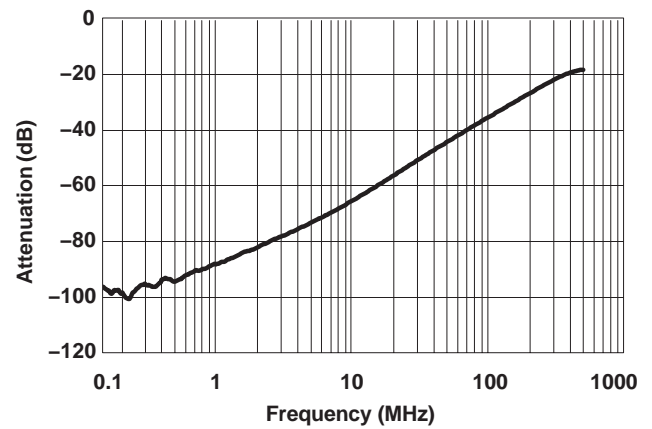


Figure 10. Off Isolation vs Frequency

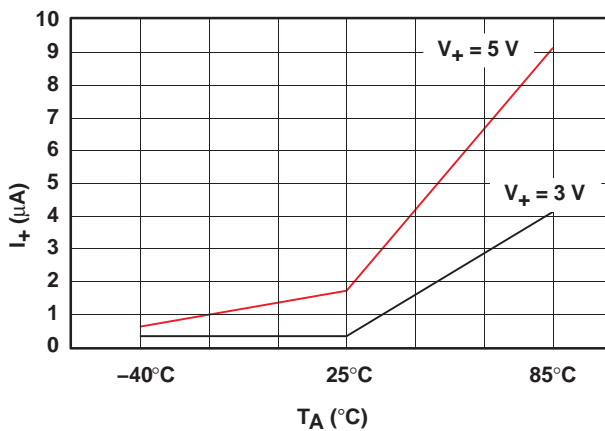


Figure 11. Power-Supply Current vs Temperature

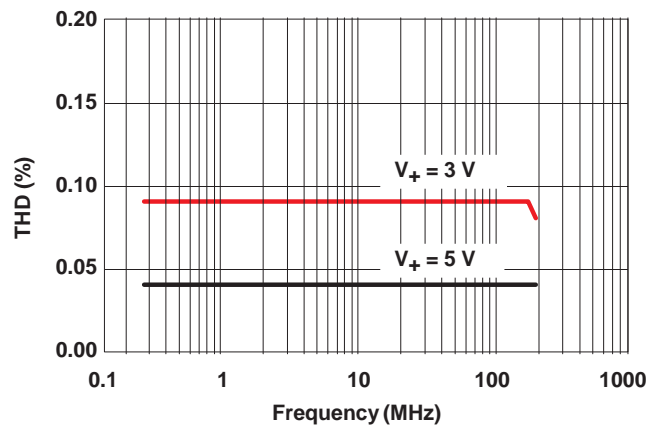


Figure 12. Total Harmonic Distortion vs Frequency

PIN DESCRIPTION

| PIN NUMBER | NAME | DESCRIPTION |
|------------|----------------|--|
| 1 | IN | Digital control pin to connect COM to NC |
| 2 | COM | Common |
| 3 | GND | Digital ground |
| 4 | NC | Normally closed |
| 5 | V ₊ | Power supply |

PARAMETER DESCRIPTION

| SYMBOL | DESCRIPTION |
|-----------------------------------|---|
| V _{COM} | Voltage at COM |
| V _{NC} | Voltage at NC |
| r _{on} | Resistance between COM and NC ports when the channel is ON |
| r _{on(flat)} | Difference between the maximum and minimum value of r _{on} in a channel over the specified range of conditions |
| I _{NC(OFF)} | Leakage current measured at the NC port, with the corresponding channel (NC to COM) in the OFF state |
| I _{NC(ON)} | Leakage current measured at the NC port, with the corresponding channel (NC to COM) in the ON state and the output (COM) open |
| I _{COM(OFF)} | Leakage current measured at the COM port, with the corresponding channel (COM to NC) in the OFF state |
| I _{COM(ON)} | Leakage current measured at the COM port, with the corresponding channel (COM to NC) in the ON state and the output (NC) open |
| V _{IH} | Minimum input voltage for logic high for the control input (IN) |
| V _{IL} | Maximum input voltage for logic low for the control input (IN) |
| V _I | Voltage at the control input (IN) |
| I _{IH} , I _{IL} | Leakage current measured at the control input (IN) |
| t _{ON} | Turn-on time for the switch. This parameter is measured under the specified range of conditions and by the propagation delay between the digital control (IN) signal and analog output (COM or NC) signal when the switch is turning ON. |
| t _{OFF} | Turn-off time for the switch. This parameter is measured under the specified range of conditions and by the propagation delay between the digital control (IN) signal and analog output (COM or NC) signal when the switch is turning OFF. |
| Q _C | Charge injection is a measurement of unwanted signal coupling from the control (IN) input to the analog (NC or COM) output. This is measured in coulomb (C) and measured by the total charge induced due to switching of the control input. Charge injection, Q _C = C _L × ΔV _{COM} , C _L is the load capacitance, and ΔV _{COM} is the change in analog output voltage. |
| C _{NC(OFF)} | Capacitance at the NC port when the corresponding channel (NC to COM) is OFF |
| C _{NC(ON)} | Capacitance at the NC port when the corresponding channel (NC to COM) is ON |
| C _{COM(OFF)} | Capacitance at the COM port when the corresponding channel (COM to NC) is OFF |
| C _{COM(ON)} | Capacitance at the COM port when the corresponding channel (COM to NC) is ON |
| C _I | Capacitance of control input (IN) |
| O _{ISO} | OFF isolation of the switch is a measurement of OFF-state switch impedance. This is measured in dB in a specific frequency, with the corresponding channel (NC to COM) in the OFF state. |
| BW | Bandwidth of the switch. This is the frequency in which the gain of an ON channel is –3 dB below the DC gain. |
| THD | Total harmonic distortion describes the signal distortion caused by the analog switch. This is defined as the ratio of root mean square (RMS) value of the second, third, and higher harmonic to the absolute magnitude of the fundamental harmonic. |
| I ₊ | Static power-supply current with the control (IN) pin at V ₊ or GND |

PARAMETER MEASUREMENT INFORMATION

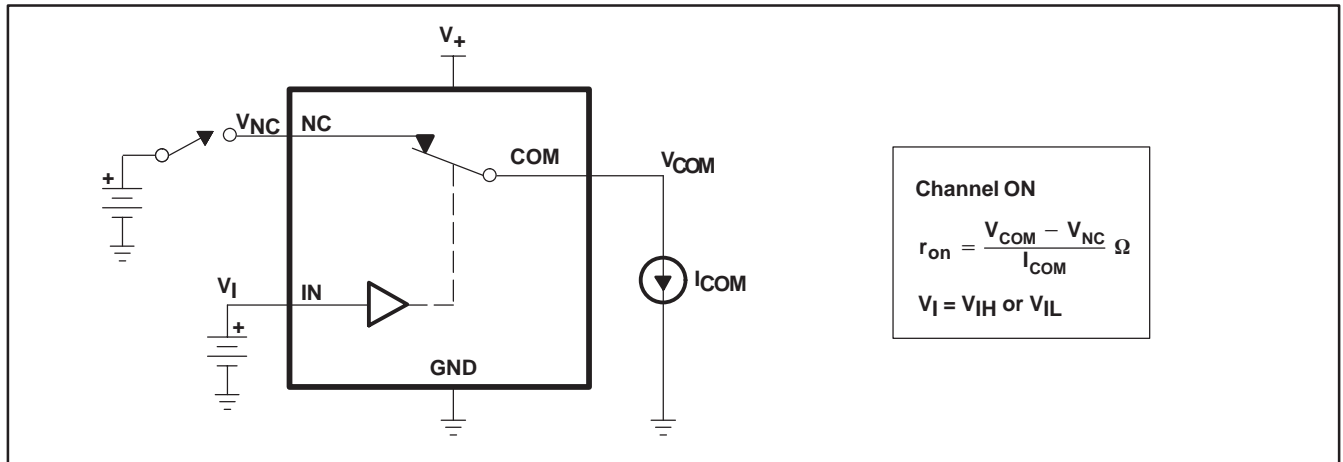


Figure 13. ON-State Resistance (r_{on})

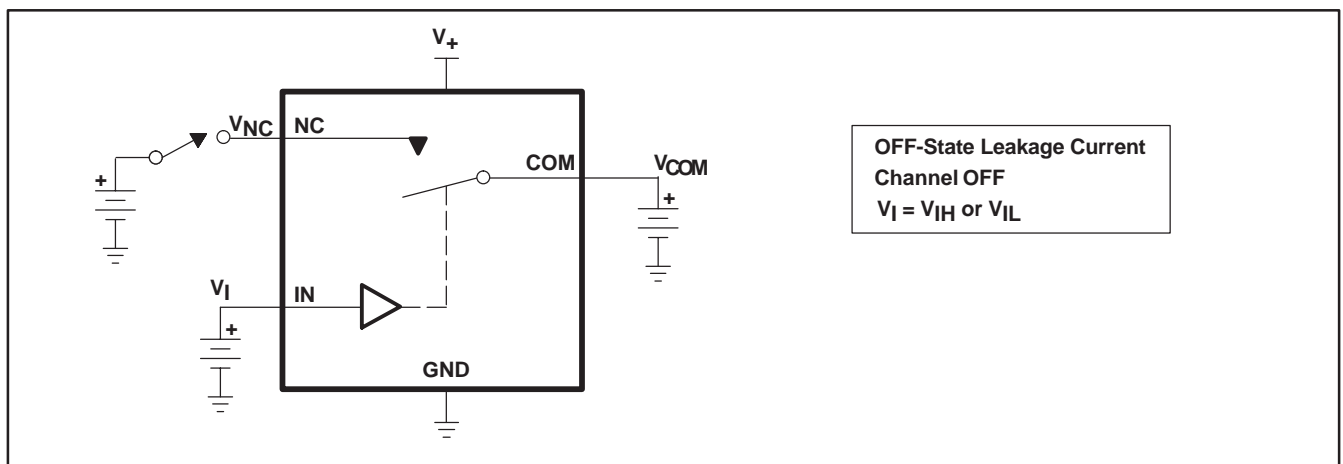


Figure 14. OFF-State Leakage Current ($I_{COM(OFF)}$, $I_{NC(OFF)}$)

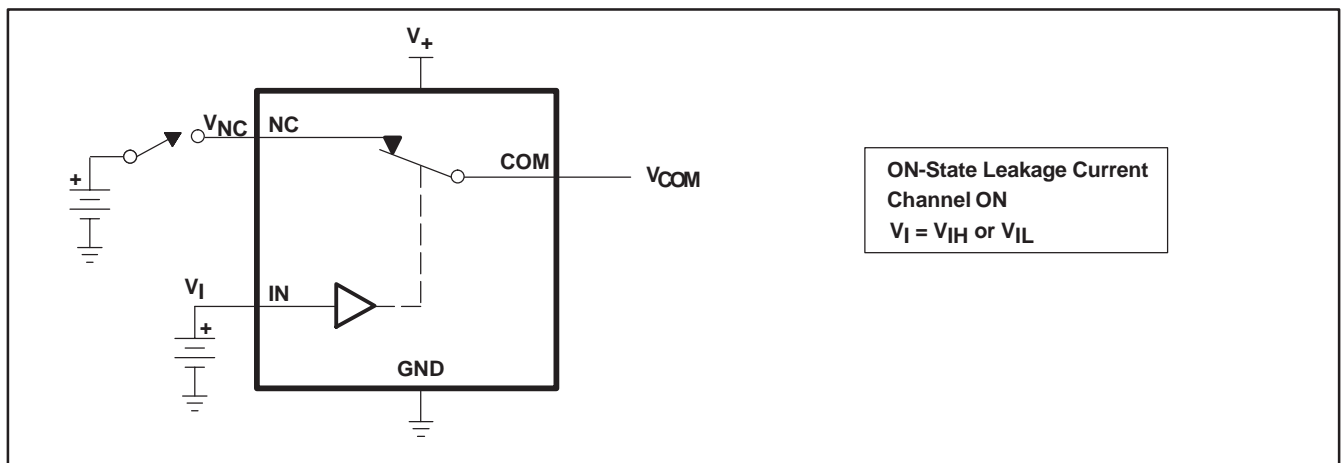


Figure 15. ON-State Leakage Current ($I_{COM(ON)}$, $I_{NC(ON)}$)

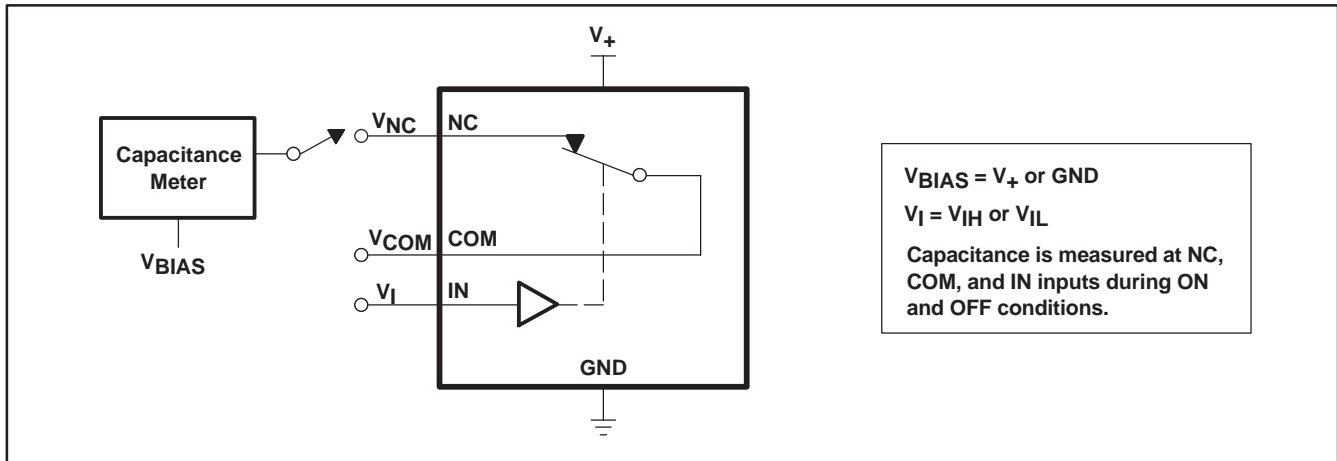
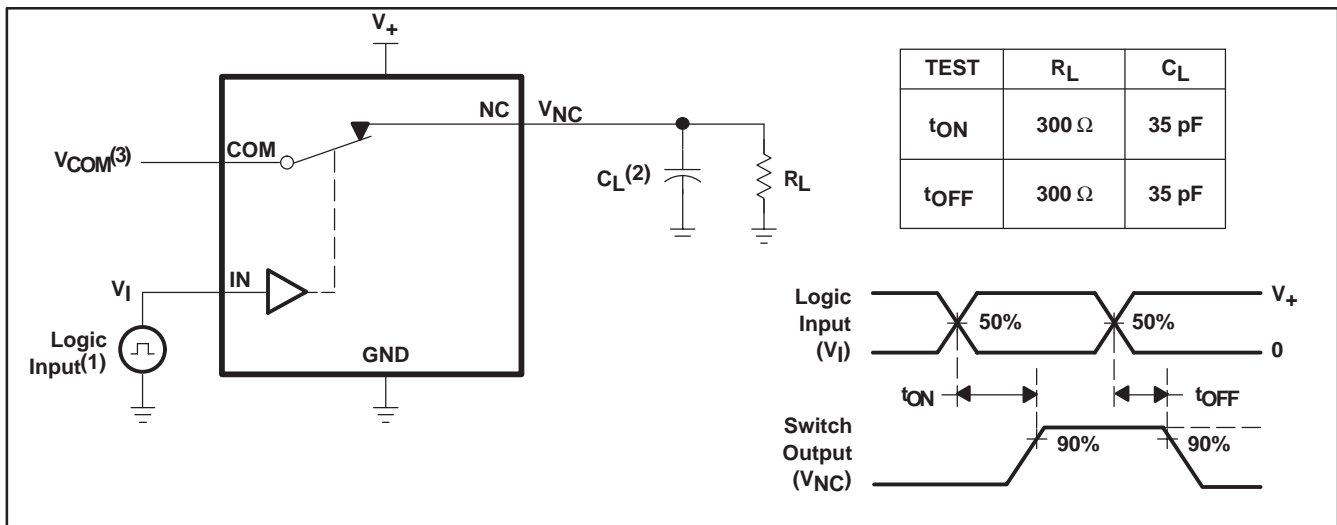


Figure 16. Capacitance (C_I , $C_{COM(OFF)}$, $C_{COM(ON)}$, $C_{NC(OFF)}$, $C_{NC(ON)}$)



- (1) All input pulses are supplied by generators having the following characteristics: PRR \leq 10 MHz, $Z_O = 50 \Omega$, $t_r < 5$ ns, $t_f < 5$ ns.
- (2) C_L includes probe and jig capacitance.
- (3) See Electrical Characteristics for V_{COM} .

Figure 17. Turn-On (t_{ON}) and Turn-Off Time (t_{OFF})

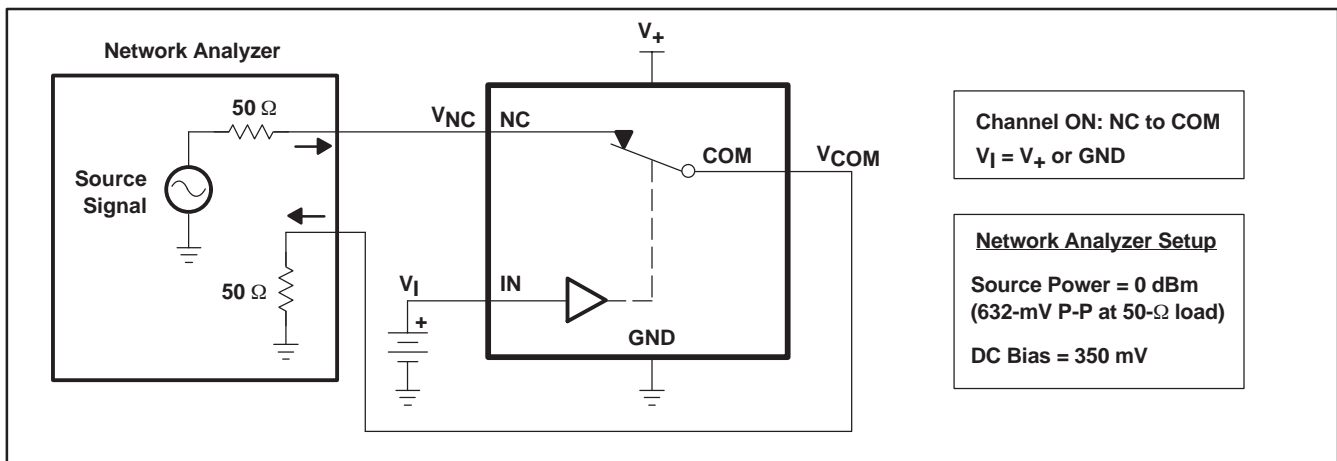


Figure 18. Bandwidth (BW)

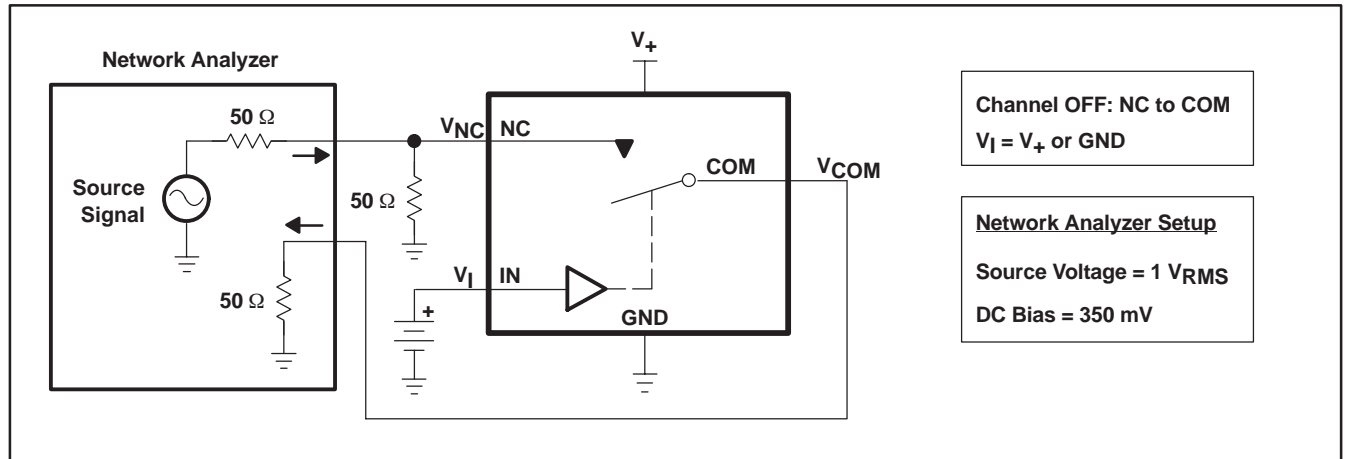
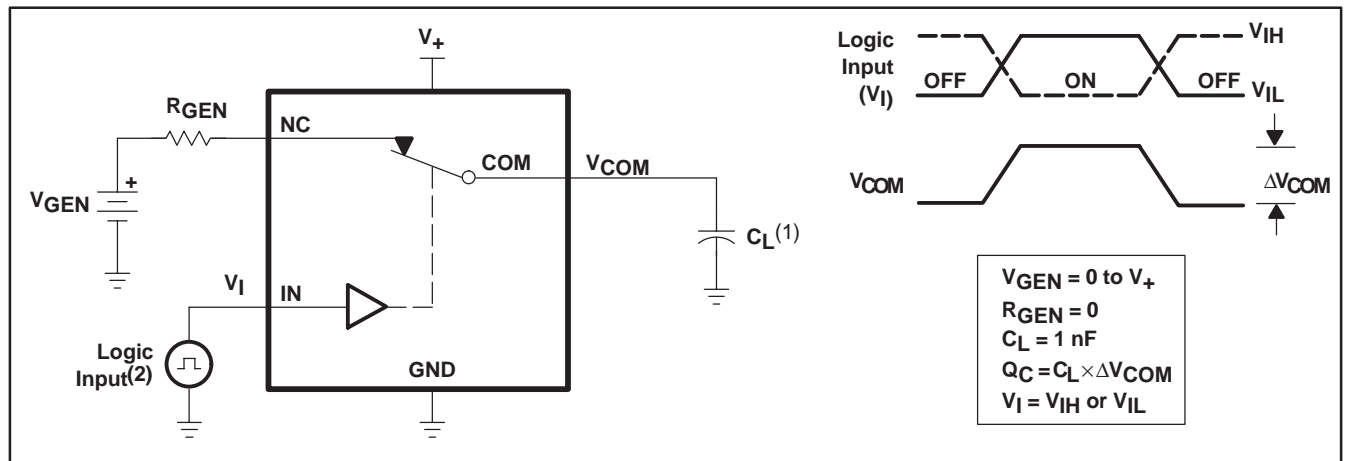


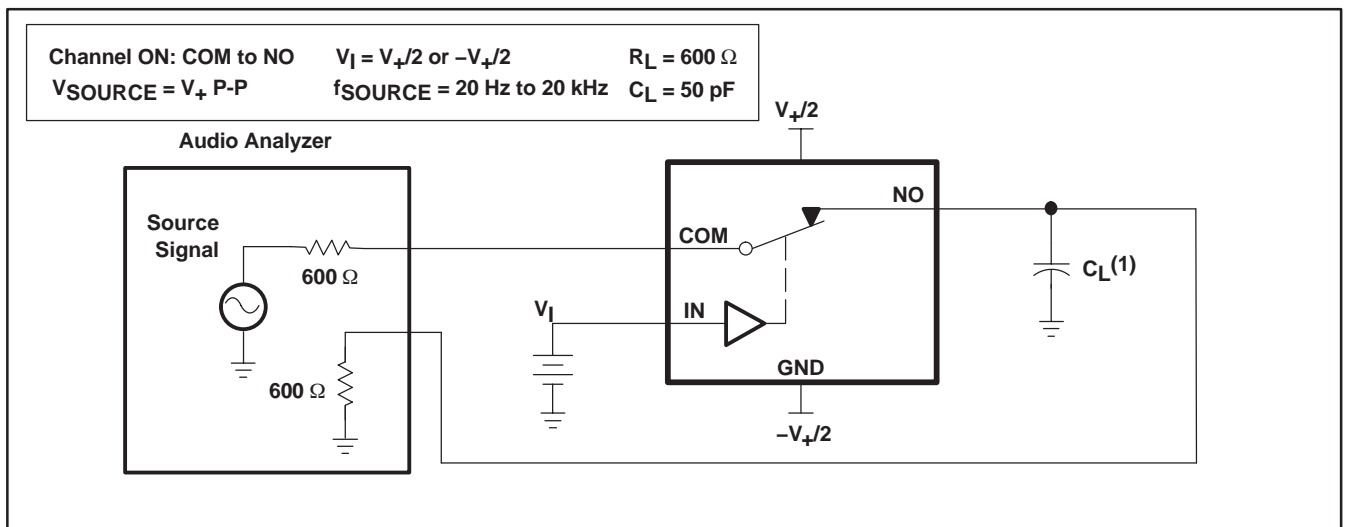
Figure 19. OFF Isolation (O_{ISO})



(1) C_L includes probe and jig capacitance.

(2) All input pulses are supplied by generators having the following characteristics: $PRR \leq 10$ MHz, $Z_O = 50 \Omega$, $t_r < 5$ ns, $t_f < 5$ ns.

Figure 20. Charge Injection (Q_C)



(1) C_L includes probe and jig capacitance.

Figure 21. Total Harmonic Distortion (THD)

PACKAGING INFORMATION

| Orderable Device | Status (1) | Package Type | Package Drawing | Pins | Package Qty | Eco Plan (2) | Lead/Ball Finish (6) | MSL Peak Temp (3) | Op Temp (°C) | Device Marking (4/5) | Samples |
|------------------|---------------|--------------|-----------------|------|-------------|-------------------------|-------------------------|----------------------|--------------|-------------------------|-------------------------|
| MAX4597DBVR | ACTIVE | SOT-23 | DBV | 5 | 3000 | Green (RoHS & no Sb/Br) | CU NIPDAU | Level-1-260C-UNLIM | -40 to 85 | 6SDR | Samples |
| MAX4597DCKR | ACTIVE | SC70 | DCK | 5 | 3000 | Green (RoHS & no Sb/Br) | CU NIPDAU | Level-1-260C-UNLIM | -40 to 85 | SDR | Samples |

(1) The marketing status values are defined as follows:

ACTIVE: Product device recommended for new designs.

LIFEBUY: TI has announced that the device will be discontinued, and a lifetime-buy period is in effect.

NRND: Not recommended for new designs. Device is in production to support existing customers, but TI does not recommend using this part in a new design.

PREVIEW: Device has been announced but is not in production. Samples may or may not be available.

OBSELETE: TI has discontinued the production of the device.

(2) Eco Plan - The planned eco-friendly classification: Pb-Free (RoHS), Pb-Free (RoHS Exempt), or Green (RoHS & no Sb/Br) - please check <http://www.ti.com/productcontent> for the latest availability information and additional product content details.

TBD: The Pb-Free/Green conversion plan has not been defined.

Pb-Free (RoHS): TI's terms "Lead-Free" or "Pb-Free" mean semiconductor products that are compatible with the current RoHS requirements for all 6 substances, including the requirement that lead not exceed 0.1% by weight in homogeneous materials. Where designed to be soldered at high temperatures, TI Pb-Free products are suitable for use in specified lead-free processes.

Pb-Free (RoHS Exempt): This component has a RoHS exemption for either 1) lead-based flip-chip solder bumps used between the die and package, or 2) lead-based die adhesive used between the die and leadframe. The component is otherwise considered Pb-Free (RoHS compatible) as defined above.

Green (RoHS & no Sb/Br): TI defines "Green" to mean Pb-Free (RoHS compatible), and free of Bromine (Br) and Antimony (Sb) based flame retardants (Br or Sb do not exceed 0.1% by weight in homogeneous material)

(3) MSL, Peak Temp. - The Moisture Sensitivity Level rating according to the JEDEC industry standard classifications, and peak solder temperature.

(4) There may be additional marking, which relates to the logo, the lot trace code information, or the environmental category on the device.

(5) Multiple Device Markings will be inside parentheses. Only one Device Marking contained in parentheses and separated by a "~" will appear on a device. If a line is indented then it is a continuation of the previous line and the two combined represent the entire Device Marking for that device.

(6) Lead/Ball Finish - Orderable Devices may have multiple material finish options. Finish options are separated by a vertical ruled line. Lead/Ball Finish values may wrap to two lines if the finish value exceeds the maximum column width.

Important Information and Disclaimer:The information provided on this page represents TI's knowledge and belief as of the date that it is provided. TI bases its knowledge and belief on information provided by third parties, and makes no representation or warranty as to the accuracy of such information. Efforts are underway to better integrate information from third parties. TI has taken and continues to take reasonable steps to provide representative and accurate information but may not have conducted destructive testing or chemical analysis on incoming materials and chemicals. TI and TI suppliers consider certain information to be proprietary, and thus CAS numbers and other limited information may not be available for release.

In no event shall TI's liability arising out of such information exceed the total purchase price of the TI part(s) at issue in this document sold by TI to Customer on an annual basis.

TAPE AND REEL INFORMATION



QUADRANT ASSIGNMENTS FOR PIN 1 ORIENTATION IN TAPE



*All dimensions are nominal

| Device | Package Type | Package Drawing | Pins | SPQ | Reel Diameter (mm) | Reel Width W1 (mm) | A0 (mm) | B0 (mm) | K0 (mm) | P1 (mm) | W (mm) | Pin1 Quadrant |
|-------------|--------------|-----------------|------|------|--------------------|--------------------|---------|---------|---------|---------|--------|---------------|
| MAX4597DBVR | SOT-23 | DBV | 5 | 3000 | 180.0 | 8.4 | 3.23 | 3.17 | 1.37 | 4.0 | 8.0 | Q3 |
| MAX4597DCKR | SC70 | DCK | 5 | 3000 | 180.0 | 8.4 | 2.47 | 2.3 | 1.25 | 4.0 | 8.0 | Q3 |

TAPE AND REEL BOX DIMENSIONS


*All dimensions are nominal

| Device | Package Type | Package Drawing | Pins | SPQ | Length (mm) | Width (mm) | Height (mm) |
|-------------|--------------|-----------------|------|------|-------------|------------|-------------|
| MAX4597DBVR | SOT-23 | DBV | 5 | 3000 | 202.0 | 201.0 | 28.0 |
| MAX4597DCKR | SC70 | DCK | 5 | 3000 | 202.0 | 201.0 | 28.0 |

EXAMPLE BOARD LAYOUT

DBV0005A

SOT-23 - 1.45 mm max height

SMALL OUTLINE TRANSISTOR



LAND PATTERN EXAMPLE
EXPOSED METAL SHOWN
SCALE:15X



SOLDER MASK DETAILS

4214839/D 11/2018

NOTES: (continued)

- 5. Publication IPC-7351 may have alternate designs.
- 6. Solder mask tolerances between and around signal pads can vary based on board fabrication site.

EXAMPLE STENCIL DESIGN

DBV0005A

SOT-23 - 1.45 mm max height

SMALL OUTLINE TRANSISTOR



SOLDER PASTE EXAMPLE
BASED ON 0.125 mm THICK STENCIL
SCALE:15X

4214839/D 11/2018

NOTES: (continued)

7. Laser cutting apertures with trapezoidal walls and rounded corners may offer better paste release. IPC-7525 may have alternate design recommendations.
8. Board assembly site may have different recommendations for stencil design.

DCK (R-PDSO-G5)

PLASTIC SMALL-OUTLINE PACKAGE



- NOTES:
- A. All linear dimensions are in millimeters.
 - B. This drawing is subject to change without notice.
 - C. Body dimensions do not include mold flash or protrusion. Mold flash and protrusion shall not exceed 0.15 per side.
 - D. Falls within JEDEC MO-203 variation AA.

DCK (R-PDSO-G5)

PLASTIC SMALL OUTLINE



- NOTES:
- All linear dimensions are in millimeters.
 - This drawing is subject to change without notice.
 - Customers should place a note on the circuit board fabrication drawing not to alter the center solder mask defined pad.
 - Publication IPC-7351 is recommended for alternate designs.
 - Laser cutting apertures with trapezoidal walls and also rounding corners will offer better paste release. Customers should contact their board assembly site for stencil design recommendations. Example stencil design based on a 50% volumetric metal load solder paste. Refer to IPC-7525 for other stencil recommendations.

IMPORTANT NOTICE AND DISCLAIMER

TI PROVIDES TECHNICAL AND RELIABILITY DATA (INCLUDING DATASHEETS), DESIGN RESOURCES (INCLUDING REFERENCE DESIGNS), APPLICATION OR OTHER DESIGN ADVICE, WEB TOOLS, SAFETY INFORMATION, AND OTHER RESOURCES "AS IS" AND WITH ALL FAULTS, AND DISCLAIMS ALL WARRANTIES, EXPRESS AND IMPLIED, INCLUDING WITHOUT LIMITATION ANY IMPLIED WARRANTIES OF MERCHANTABILITY, FITNESS FOR A PARTICULAR PURPOSE OR NON-INFRINGEMENT OF THIRD PARTY INTELLECTUAL PROPERTY RIGHTS.

These resources are intended for skilled developers designing with TI products. You are solely responsible for (1) selecting the appropriate TI products for your application, (2) designing, validating and testing your application, and (3) ensuring your application meets applicable standards, and any other safety, security, or other requirements. These resources are subject to change without notice. TI grants you permission to use these resources only for development of an application that uses the TI products described in the resource. Other reproduction and display of these resources is prohibited. No license is granted to any other TI intellectual property right or to any third party intellectual property right. TI disclaims responsibility for, and you will fully indemnify TI and its representatives against, any claims, damages, costs, losses, and liabilities arising out of your use of these resources.

TI's products are provided subject to TI's Terms of Sale (www.ti.com/legal/termsofsale.html) or other applicable terms available either on ti.com or provided in conjunction with such TI products. TI's provision of these resources does not expand or otherwise alter TI's applicable warranties or warranty disclaimers for TI products.

Mailing Address: Texas Instruments, Post Office Box 655303, Dallas, Texas 75265
Copyright © 2019, Texas Instruments Incorporated

Looking for pricing, stock, or lifecycle information?

Click below to explore more details on WIN SOURCE:

 [View MAX4597DBVR](#) on WIN SOURCE

 [Texas Instruments](#) Information

Optimize Your Supply Chain with WIN SOURCE Solutions

-  Global Sourcing Solution
-  Obsolete Management
-  Cost Control Management
-  Shortage Management
-  Alternative Solution
-  Excess Inventory Management