



**THE DATASHEET OF  
AD5621BKSZ-500RL7**





### FEATURES

- 6-lead SC70 and LFCSP packages
- Micropower operation: 100  $\mu$ A maximum at 5 V
- Power-down typically to 0.2  $\mu$ A at 3 V
- 2.7 V to 5.5 V power supply
- Guaranteed monotonic by design
- Power-on reset to 0 V with brownout detection
- 3 power-down functions
- Low power serial interface with Schmitt-triggered inputs
- On-chip output buffer amplifier, rail-to-rail operation
- SYNC interrupt facility
- Minimized zero-code error
- AD5601** buffered 8-bit DAC
  - B version:  $\pm 0.5$  LSB INL
- AD5611** buffered 10-bit DAC
  - B version:  $\pm 0.5$  LSB INL
  - A version:  $\pm 4$  LSB INL
- AD5621** buffered 12-bit DAC
  - B version:  $\pm 1$  LSB INL
  - A version:  $\pm 6$  LSB INL

### APPLICATIONS

- Voltage level setting
- Portable battery-powered instruments
- Digital gain and offset adjustment
- Programmable voltage and current sources
- Programmable attenuators

### GENERAL DESCRIPTION

The **AD5601/AD5611/AD5621**, members of the *nano*DAC® family, are single, 8-/10-/12-bit, buffered voltage output DACs that operate from a single 2.7 V to 5.5 V supply, consuming typically 75  $\mu$ A at 5 V. The parts come in tiny LFCSP and SC70 packages. Their on-chip precision output amplifier allows rail-to-rail output swing to be achieved. The **AD5601/AD5611/AD5621** utilize a versatile 3-wire serial interface that operates at clock rates up to 30 MHz and is compatible with SPI, QSPI™, MICROWIRE™, and DSP interface standards.

The reference for the **AD5601/AD5611/AD5621** is derived from the power supply inputs and, therefore, gives the widest dynamic output range. The parts incorporate a power-on reset circuit, which ensures that the DAC output powers up to 0 V and remains there until a valid write to the device takes place.

The **AD5601/AD5611/AD5621** contain a power-down feature that reduces current consumption to typically 0.2  $\mu$ A at 3 V.

Rev. I

#### Document Feedback

Information furnished by Analog Devices is believed to be accurate and reliable. However, no responsibility is assumed by Analog Devices for its use, nor for any infringements of patents or other rights of third parties that may result from its use. Specifications subject to change without notice. No license is granted by implication or otherwise under any patent or patent rights of Analog Devices. Trademarks and registered trademarks are the property of their respective owners.

### FUNCTIONAL BLOCK DIAGRAM

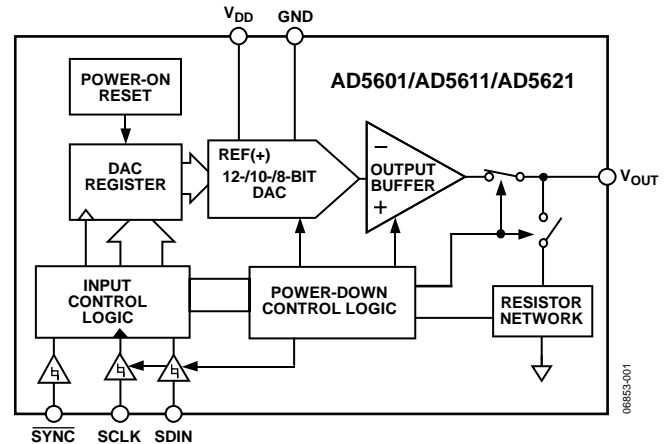


Figure 1.

Table 1. Related Devices

| Part Number   | Description   |
|---------------|---|
| <b>AD5641</b> | 2.7 V to 5.5 V, <100 $\mu$ A, 14-bit <i>nano</i> DAC in SC70 and LFCSP packages |

They also provide software-selectable output loads while in power-down mode. The parts are put into power-down mode over the serial interface.

The low power consumption of these parts in normal operation makes them ideally suited to portable battery-operated equipment. The combination of small package and low power makes these *nano*DAC devices ideal for level-setting requirements, such as generating bias or control voltages in space-constrained and power-sensitive applications.

### PRODUCT HIGHLIGHTS

- Available in 6-lead LFCSP and SC70 packages.
- Low power, single-supply operation. The **AD5601/AD5611/AD5621** operate from a single 2.7 V to 5.5 V supply with a maximum current consumption of 100  $\mu$ A, making them ideal for battery-powered applications.
- The on-chip output buffer amplifier allows the output of the DAC to swing rail-to-rail with a typical slew rate of 0.5 V/ $\mu$ s.
- Reference is derived from the power supply.
- High speed serial interface with clock speeds up to 30 MHz. Designed for very low power consumption. The interface powers up only during a write cycle.
- Power-down capability. When powered down, the DAC typically consumes 0.2  $\mu$ A at 3 V. Power-on reset with brownout detection.

## TABLE OF CONTENTS

|  |    |
|--|----|
| Features .....                                     | 1  |
| Applications .....                                 | 1  |
| General Description .....                          | 1  |
| Functional Block Diagram .....                     | 1  |
| Product Highlights .....                           | 1  |
| Revision History .....                             | 2  |
| Specifications.....                                | 3  |
| Timing Characteristics .....                       | 4  |
| Absolute Maximum Ratings.....                      | 5  |
| ESD Caution.....                                   | 5  |
| Pin Configurations and Function Descriptions ..... | 6  |
| Typical Performance Characteristics .....          | 7  |
| Terminology .....                                  | 13 |
| Theory of Operation .....                          | 14 |
| DAC Section.....                                   | 14 |
| Resistor String.....                               | 14 |

## REVISION HISTORY

### 4/2019—Rev. H to Rev. I

|                                  |    |
|----------------------------------|----|
| Changes to Table 2.....          | 5  |
| Change to Figure 16 .....        | 8  |
| Updated Outline Dimensions ..... | 20 |
| Changes to Ordering Guide .....  | 21 |

### 2/2016—Rev. G to Rev. H

|  |    |
|--|----|
| Changes to Noise Parameter, Table 2..... | 3  |
| Changes to Serial Interface Section..... | 14 |

### 6/2013—Rev. F to Rev. G

|                               |    |
|-------------------------------|----|
| Change to Ordering Guide..... | 21 |
|-------------------------------|----|

### 2/2012—Rev. E to Rev. F

|  |    |
|--|----|
| Added 6-Lead LFCSP.....Universal   |    |
| Changes to Features Section, General Description Section,<br>Table 1, and Product Highlights Section ..... | 1  |
| Changes to Table 4.....  | 5  |
| Added Figure 4; Renumbered Sequentially .....  | 6  |
| Changes to Table 5.....  | 6  |
| Changes to Choosing a Reference as Power Supply for the<br>AD5601/AD5611/AD5621 Section.....               | 18 |
| Updated Outline Dimensions .....   | 20 |
| Changes to Ordering Guide .....  | 21 |

### 7/2010—Rev. D to Rev. E

|                           |   |
|---------------------------|---|
| Changes to Figure 1 ..... | 1 |
|---------------------------|---|

|  |    |
|--|----|
| Output Amplifier.....  | 14 |
| Serial Interface .....   | 14 |
| Input Shift Register .....   | 14 |
| $\overline{\text{SYNC}}$ Interrupt .....                                       | 14 |
| Power-On Reset .....   | 16 |
| Power-Down Modes .....   | 16 |
| Microprocessor Interfacing.....  | 16 |
| Applications Information .....   | 18 |
| Choosing a Reference as Power Supply for the<br>AD5601/AD5611/AD5621 .....     | 18 |
| Bipolar Operation Using the AD5601/AD5611/AD5621.....                          | 18 |
| Using the AD5601/AD5611/AD5621 with a Galvanically<br>Isolated Interface ..... | 19 |
| Power Supply Bypassing and Grounding.....                                      | 19 |
| Outline Dimensions .....   | 20 |
| Ordering Guide .....   | 21 |

### 5/2008—Rev. C to Rev. D

|  |    |
|--|----|
| Changes to General Description Section .....   | 1  |
| Changes to Table 2.....  | 3  |
| Changes to Choosing a Reference as Power Supply for the<br>AD5601/AD5611/AD5621 Section..... | 18 |
| Changes to Ordering Guide .....  | 20 |

### 12/2007—Rev. B to Rev. C

|   |    |
|---|----|
| Changes to Features .....   | 1  |
| Changes to Table 2.....   | 3  |
| Changes to AD5601/AD5611/AD5621 to ADSP-2101<br>Interface Section ..... | 16 |
| Updated Outline Dimensions.....   | 20 |
| Changes to Ordering Guide .....   | 20 |

### 7/2005—Rev. A to Rev. B

|  |    |
|--|----|
| Changes to Figure 48.....                                | 17 |
| Changes to Galvanically Isolated Interface Section ..... | 19 |
| Changes to Figure 52.....                                | 19 |

### 3/2005—Rev. 0 to Rev. A

|  |    |
|--|----|
| Changes to Timing Characteristics.....   | 4  |
| Changes to Absolute Maximum Ratings..... | 5  |
| Changes to Full Scale Error Section..... | 7  |
| Changes to Figure 20.....                | 10 |
| Changes to Theory of Operation.....      | 14 |
| Changes to Power Down Modes .....        | 15 |

### 1/2005—Revision 0: Initial Version

## SPECIFICATIONS

$V_{DD} = 4.5\text{ V to }5.5\text{ V}$ ;  $R_L = 2\text{ k}\Omega$  to GND;  $C_L = 200\text{ pF}$  to GND; all specifications  $T_{MIN}$  to  $T_{MAX}$ , unless otherwise noted. Temperature range for A/B grades is  $-40^\circ\text{C}$  to  $+125^\circ\text{C}$ , typical at  $25^\circ\text{C}$ .

Table 2.

| Parameter                            | A Grade |              |             | B Grade      |             |           | Unit                         | Test Conditions/Comments   |
|--------------------------------------|---------|--------------|-------------|--------------|-------------|-----------|------------------------------|--|
|                                      | Min     | Typ          | Max         | Min          | Typ         | Max       |                              |  |
| STATIC PERFORMANCE                   |         |              |             |              |             |           |                              |  |
| AD5601                               |         |              |             |              |             |           |                              |  |
| Resolution                           |         |              |             | 8            |             |           | Bits                         | Guaranteed monotonic by design   |
| Relative Accuracy <sup>1</sup> (INL) |         |              |             |              |             | $\pm 0.5$ | LSB                          |  |
| Differential Nonlinearity (DNL)      |         |              |             |              |             | $\pm 0.5$ | LSB                          |  |
| AD5611                               |         |              |             |              |             |           |                              |  |
| Resolution                           | 10      |              |             |              |             |           | Bits                         | Guaranteed monotonic by design   |
| Relative Accuracy <sup>1</sup> (INL) |         |              | $\pm 4$     |              |             | $\pm 0.5$ | LSB                          |  |
| Differential Nonlinearity (DNL)      |         |              | $\pm 0.5$   |              |             | $\pm 0.5$ | LSB                          |  |
| AD5621                               |         |              |             |              |             |           |                              |  |
| Resolution                           | 12      |              |             |              |             |           | Bits                         | Guaranteed monotonic by design   |
| Relative Accuracy <sup>1</sup> (INL) |         |              | $\pm 6$     |              |             | $\pm 1$   | LSB                          |  |
| Differential Nonlinearity (DNL)      |         |              | $\pm 0.5$   |              |             | $\pm 0.5$ | LSB                          |  |
| Zero-Code Error                      |         | 0.5          | 10          | 0.5          | 10          |           | mV                           | All 0s loaded to DAC register  |
| Full-Scale Error                     |         | $\pm 0.5$    |             | $\pm 0.5$    |             |           | mV                           | All 1s loaded to DAC register  |
| Offset Error                         |         | $\pm 0.063$  | $\pm 10$    | $\pm 0.063$  | $\pm 10$    |           | mV                           |  |
| Gain Error                           |         | $\pm 0.0004$ | $\pm 0.037$ | $\pm 0.0004$ | $\pm 0.037$ |           | %FSR                         |  |
| Zero-Code Error Drift                |         | 5.0          |             | 5.0          |             |           | $\mu\text{V}/^\circ\text{C}$ |  |
| Gain Temperature Coefficient         |         | 2.0          |             | 2.0          |             |           | ppm<br>FSR/ $^\circ\text{C}$ |  |
| OUTPUT CHARACTERISTICS <sup>2</sup>  |         |              |             |              |             |           |                              |  |
| Output Voltage Range                 | 0       |              | $V_{DD}$    | 0            |             | $V_{DD}$  | V                            | Code $\frac{1}{4}$ scale to $\frac{3}{4}$ scale                                    |
| Output Voltage Settling Time         |         | 6            | 10          |              | 6           | 10        | $\mu\text{s}$                |  |
| Slew Rate                            |         | 0.5          |             |              | 0.5         |           | $\text{V}/\mu\text{s}$       | $R_L = \infty$<br>$R_L = 2\text{ k}\Omega$   |
| Capacitive Load Stability            |         | 470          |             |              | 470         |           | pF                           |  |
|                                      |         | 1000         |             |              | 1000        |           | pF                           |  |
| Output Noise Spectral Density        |         | 120          |             |              | 120         |           | $\text{nV}/\sqrt{\text{Hz}}$ | DAC code = midscale, 1 kHz   |
| Noise                                |         | 2            |             |              | 2           |           | $\mu\text{V rms}$            | DAC code = midscale,<br>0.1 Hz to 10 Hz bandwidth                                  |
| Digital-to-Analog Glitch Impulse     |         | 5            |             |              | 5           |           | nV-s                         | 1 LSB change around major carry  |
| Digital Feedthrough                  |         | 0.2          |             |              | 0.2         |           | nV-s                         |  |
| Short-Circuit Current                |         | 15           |             |              | 15          |           | mA                           | $V_{DD} = 3\text{ V}/5\text{ V}$   |
| DC Output Impedance                  |         | 0.5          |             |              | 0.5         |           | $\Omega$                     |  |
| LOGIC INPUTS                         |         |              |             |              |             |           |                              |  |
| Input Current <sup>3</sup>           |         |              | $\pm 2$     |              |             | $\pm 2$   | $\mu\text{A}$                | $V_{DD} = 4.7\text{ V to }5.5\text{ V}$<br>$V_{DD} = 2.7\text{ V to }3.6\text{ V}$ |
| Input High Voltage, $V_{INH}$        | 1.8     |              |             | 1.8          |             |           | V                            |  |
|                                      | 1.4     |              |             | 1.4          |             |           | V                            | $V_{DD} = 4.7\text{ V to }5.5\text{ V}$<br>$V_{DD} = 2.7\text{ V to }3.6\text{ V}$ |
| Input Low Voltage, $V_{INL}$         |         |              | 0.8         |              |             | 0.8       | V                            |  |
|                                      |         |              | 0.6         |              |             | 0.6       | V                            |  |
| Pin Input Capacitance                |         | 3            |             |              | 3           |           | pF                           |  |

| Parameter                               | A Grade |     |     | B Grade |     |     | Unit          | Test Conditions/Comments                               |
|---|---------|-----|-----|---------|-----|-----|---------------|--|
|   | Min     | Typ | Max | Min     | Typ | Max |               |  |
| <b>POWER REQUIREMENTS</b>               |         |     |     |         |     |     |               |  |
| $V_{DD}$                                | 2.7     |     | 5.5 | 2.7     |     | 5.5 | V             | All digital inputs at 0 V or $V_{DD}$                  |
| $I_{DD}$ for Normal Mode                |         |     |     |         |     |     |               | DAC active and excluding load current                  |
| $V_{DD} = 4.5\text{ V to }5.5\text{ V}$ |         | 75  | 100 |         | 75  | 100 | $\mu\text{A}$ | $V_{IH} = V_{DD}$ and $V_{IL} = \text{GND}$            |
| $V_{DD} = 2.7\text{ V to }3.6\text{ V}$ |         | 60  | 90  |         | 60  | 90  | $\mu\text{A}$ | $V_{IH} = V_{DD}$ and $V_{IL} = \text{GND}$            |
| $I_{DD}$ for All Power-Down Modes       |         |     |     |         |     |     |               | $V_{IH} = V_{DD}$ and $V_{IL} = \text{GND}$            |
| $V_{DD} = 4.5\text{ V to }5.5\text{ V}$ |         | 0.5 |     |         | 0.5 |     | $\mu\text{A}$ | $V_{IH} = V_{DD}$ and $V_{IL} = \text{GND}$            |
| $V_{DD} = 2.7\text{ V to }3.6\text{ V}$ |         | 0.2 |     |         | 0.2 |     | $\mu\text{A}$ | $V_{IH} = V_{DD}$ and $V_{IL} = \text{GND}$            |
| <b>POWER EFFICIENCY</b>                 |         |     |     |         |     |     |               |  |
| $I_{OUT}/I_{DD}$                        |         | 96  |     |         | 96  |     | %             | $I_{LOAD} = 2\text{ mA}$ and $V_{DD} = \pm 5\text{ V}$ |

<sup>1</sup> Linearity calculated using a reduced code range: AD5621 from Code 64 to Code 4032; AD5611 from Code 16 to Code 1008; AD5601 from Code 4 to Code 252.

<sup>2</sup> Guaranteed by design and characterization, not production tested.

<sup>3</sup> Total current flowing into all pins.

## TIMING CHARACTERISTICS

$V_{DD} = 2.7\text{ V to }5.5\text{ V}$ ; all specifications  $T_{MIN}$  to  $T_{MAX}$ , unless otherwise noted. See Figure 2.

**Table 3.**

| Parameter | Limit <sup>1</sup> | Unit   | Test Conditions/Comments   |
|-----------|--------------------|--------|--|
| $t_1^2$   | 33                 | ns min | SCLK cycle time  |
| $t_2$     | 5                  | ns min | SCLK high time   |
| $t_3$     | 5                  | ns min | SCLK low time  |
| $t_4$     | 10                 | ns min | $\overline{\text{SYNC}}$ to SCLK falling edge setup time               |
| $t_5$     | 5                  | ns min | Data setup time  |
| $t_6$     | 4.5                | ns min | Data hold time   |
| $t_7$     | 0                  | ns min | SCLK falling edge to $\overline{\text{SYNC}}$ rising edge              |
| $t_8$     | 20                 | ns min | Minimum $\overline{\text{SYNC}}$ high time                             |
| $t_9$     | 13                 | ns min | $\overline{\text{SYNC}}$ rising edge to next SCLK falling edge ignored |

<sup>1</sup> All input signals are specified with  $t_r = t_f = 1\text{ ns/V}$  (10% to 90% of  $V_{DD}$ ) and timed from a voltage level of  $(V_{IL} + V_{IH})/2$ .

<sup>2</sup> Maximum SCLK frequency is 30 MHz.

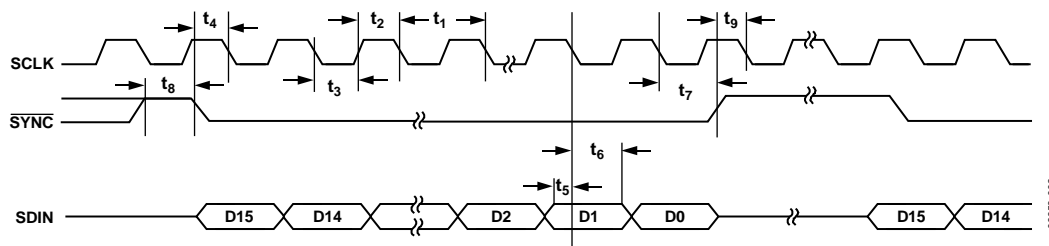


Figure 2. Timing Diagram

## ABSOLUTE MAXIMUM RATINGS

$T_A = 25^\circ\text{C}$ , unless otherwise noted.

Table 4.

| Parameter                       | Rating                     |
|---------------------------------|----------------------------|
| $V_{DD}$ to GND                 | -0.3 V to +7.0 V           |
| Digital Input Voltage to GND    | -0.3 V to $V_{DD} + 0.3$ V |
| $V_{OUT}$ to GND                | -0.3 V to $V_{DD} + 0.3$ V |
| Operating Temperature Range     |                            |
| Industrial (A/B Grades)         | -40°C to +125°C            |
| Storage Temperature Range       | -65°C to +160°C            |
| Maximum Junction Temperature    | 150°C                      |
| SC70 Package                    |                            |
| $\theta_{JA}$ Thermal Impedance | 433.34°C/W                 |
| $\theta_{JC}$ Thermal Impedance | 149.47°C/W                 |
| LFCSP Package                   |                            |
| $\theta_{JA}$ Thermal Impedance | 95°C/W                     |
| Lead Temperature, Soldering     |                            |
| Vapor Phase (60 sec)            | 215°C                      |
| Infrared (15 sec)               | 220°C                      |
| ESD (Human Body Model)          | 2.0 kV                     |

Stresses at or above those listed under Absolute Maximum Ratings may cause permanent damage to the product. This is a stress rating only; functional operation of the product at these or any other conditions above those indicated in the operational section of this specification is not implied. Operation beyond the maximum operating conditions for extended periods may affect product reliability.

### ESD CAUTION



**ESD (electrostatic discharge) sensitive device.** Charged devices and circuit boards can discharge without detection. Although this product features patented or proprietary protection circuitry, damage may occur on devices subjected to high energy ESD. Therefore, proper ESD precautions should be taken to avoid performance degradation or loss of functionality.

## PIN CONFIGURATIONS AND FUNCTION DESCRIPTIONS

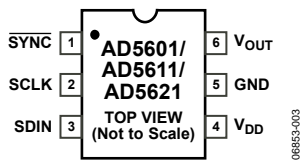
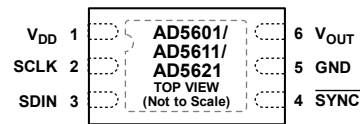


Figure 3. 6-Lead SC70 Pin Configuration



## NOTES:

- CONNECT THE EXPOSED PAD TO GND.

Figure 4. 6-Lead LFCSP Pin Configuration

Table 5. Pin Function Descriptions

| SC70 Pin No. | LFCSP Pin No. | Mnemonic               | Description  |
|--------------|---------------|------------------------|--|
| 1            | 4             | SYNC                   | Level-Triggered Control Input (Active Low). This is the frame synchronization signal for the input data. When SYNC goes low, it enables the input shift register, and data is transferred in on the falling edges of the clocks that follow. The DAC is updated following the 16 <sup>th</sup> clock cycle, unless SYNC is taken high before this edge, in which case the rising edge of SYNC acts as an interrupt and the write sequence is ignored by the DAC. |
| 2            | 2             | SCLK                   | Serial Clock Input. Data is clocked into the input shift register on the falling edge of the serial clock input. Data can be transferred at rates up to 30 MHz.  |
| 3            | 3             | SDIN                   | Serial Data Input. This device has a 16-bit shift register. Data is clocked into the register on the falling edge of the serial clock input.   |
| 4            | 1             | V <sub>DD</sub>        | Power Supply Input. The AD5601/AD5611/AD5621 can be operated from 2.7 V to 5.5 V. Decouple V <sub>DD</sub> to GND.   |
| 5            | 5             | GND                    | Ground. Ground reference point for all circuitry on the AD5601/AD5611/AD5621.  |
| 6            | 6             | V <sub>OUT</sub><br>EP | Analog Output Voltage from the DAC. The output amplifier has rail-to-rail operation.<br>Exposed Pad. Connect to GND.   |

### TYPICAL PERFORMANCE CHARACTERISTICS

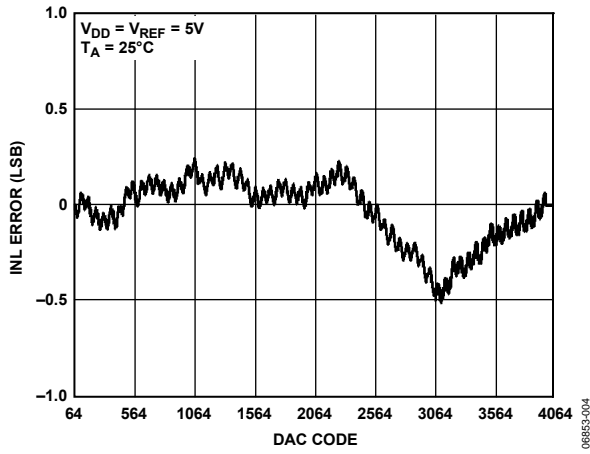


Figure 5. Typical AD5621 INL

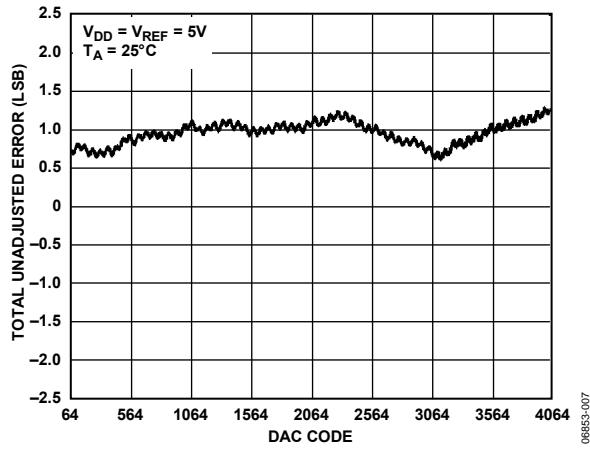


Figure 8. AD5621 Total Unadjusted Error (TUE)

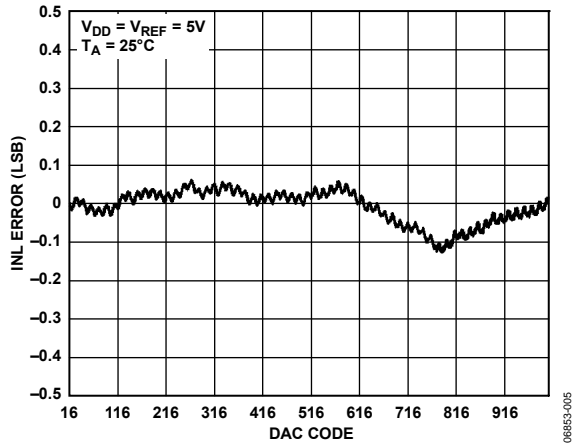


Figure 6. Typical AD5611 INL

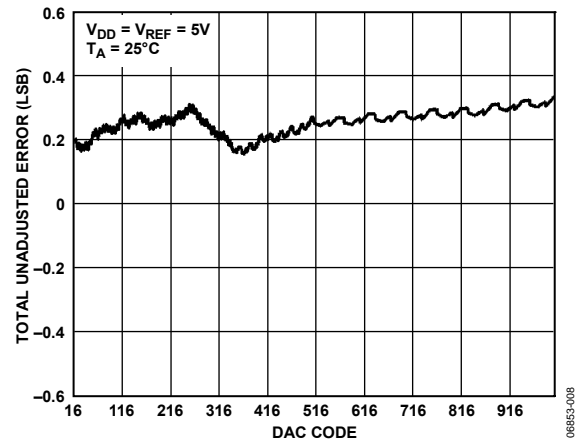


Figure 9. AD5611 Total Unadjusted Error (TUE)

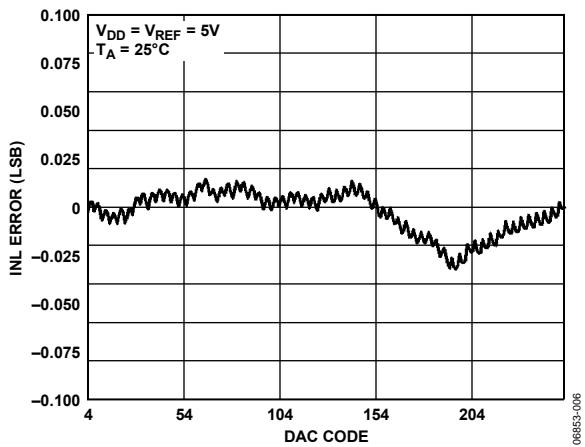


Figure 7. Typical AD5601 INL

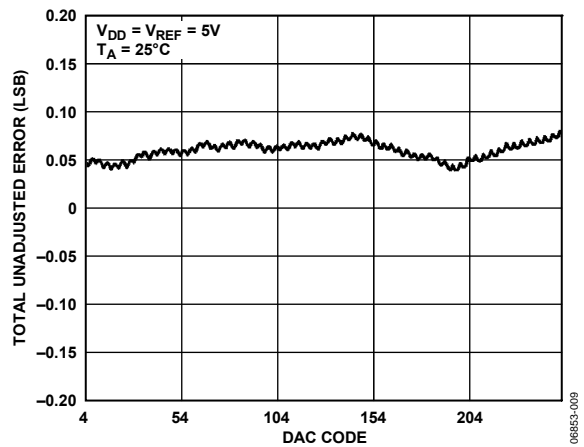


Figure 10. AD5601 Total Unadjusted Error (TUE)

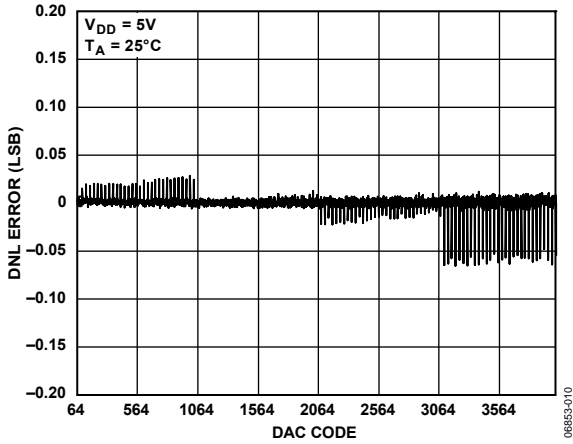


Figure 11. Typical AD5621 DNL

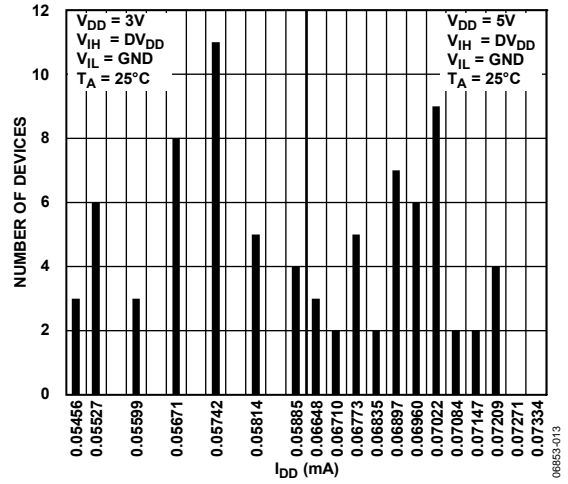


Figure 14.  $I_{DD}$  Histogram (3 V/5 V)

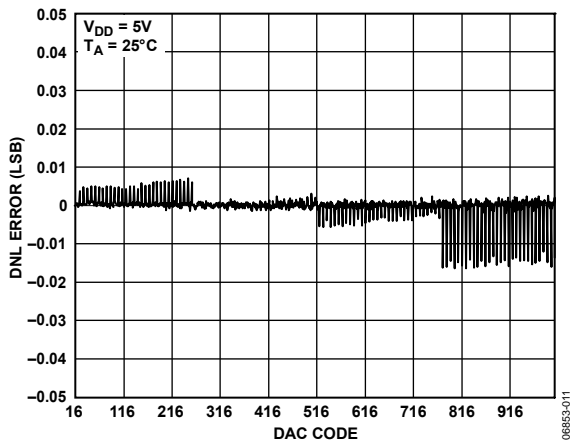


Figure 12. Typical AD5611 DNL

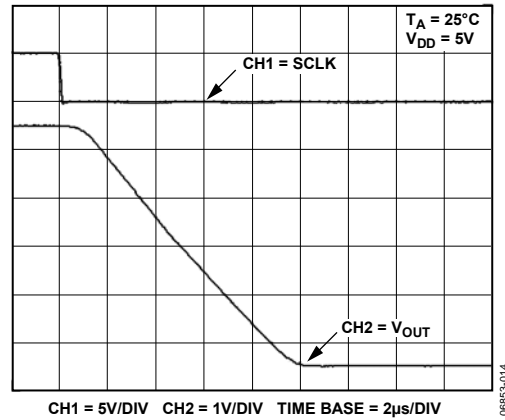


Figure 15. Full-Scale Settling Time

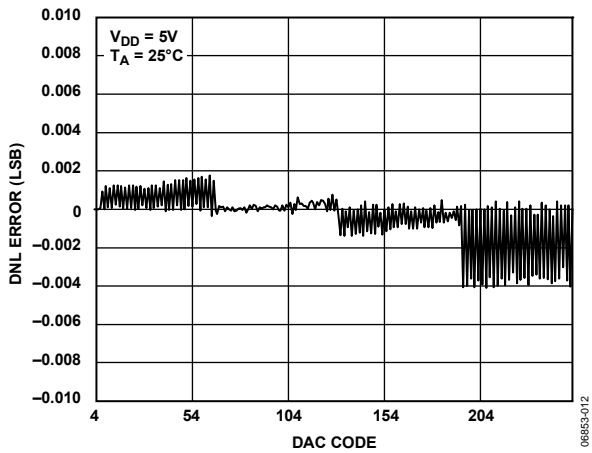


Figure 13. Typical AD5601 DNL

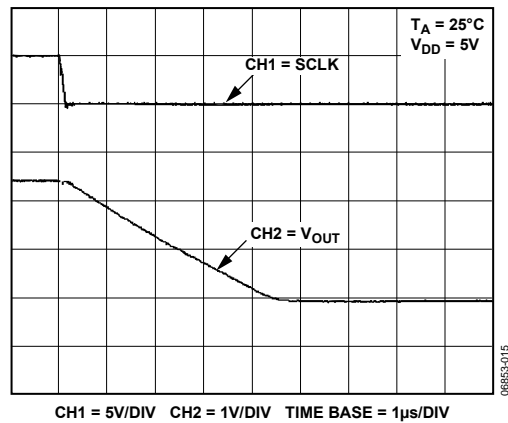
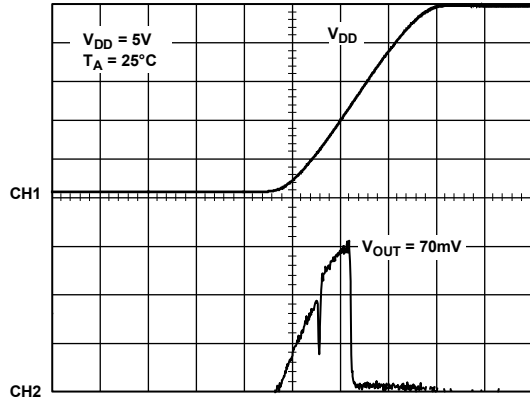


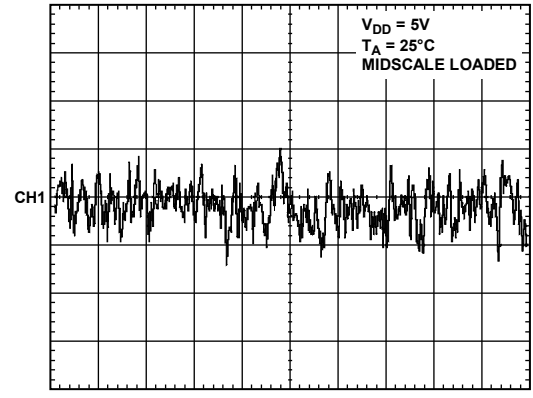
Figure 16. Half-Scale Settling Time



CH1 1V, CH2 20mV, TIME BASE = 20µs/DIV

Figure 17. Power-On Reset to 0V

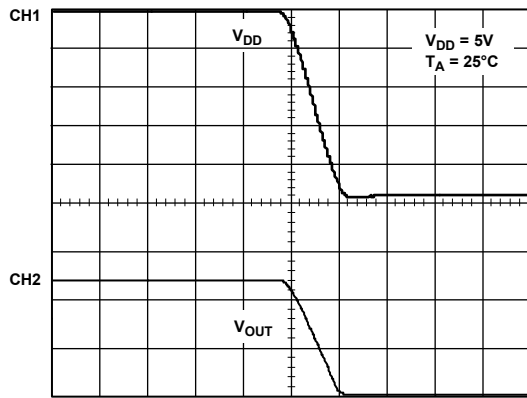
06853-016



CH1 5µV/DIV

Figure 20. 1/f Noise, 0.1 Hz to 10 Hz Bandwidth

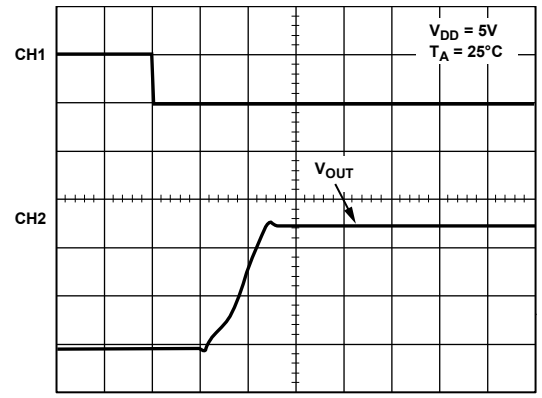
06853-019



CH1 1V, CH2 5V, TIME BASE = 50µs/DIV

Figure 18.  $V_{DD}$  vs.  $V_{OUT}$

06853-017



CH1 5V, CH2 1V, TIME BASE = 2µs/DIV

Figure 21. Exiting Power-Down Mode

06853-020

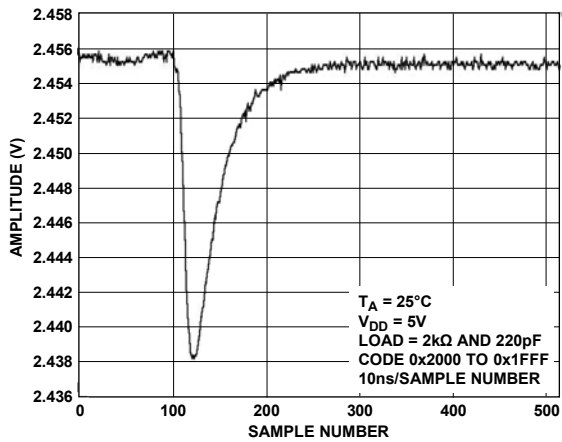


Figure 19. Digital-to-Analog Glitch Energy

06853-018

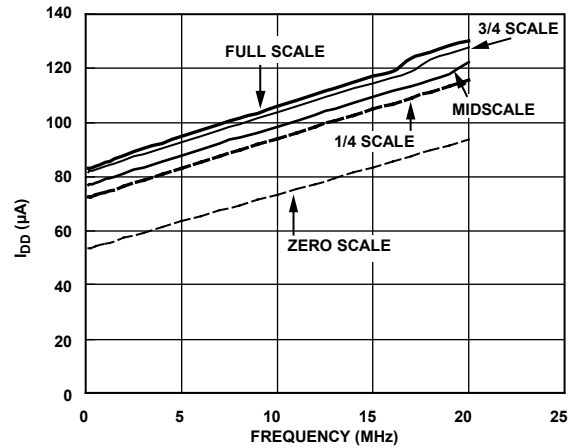


Figure 22.  $I_{DD}$  vs. SCLK vs. Code

06853-021

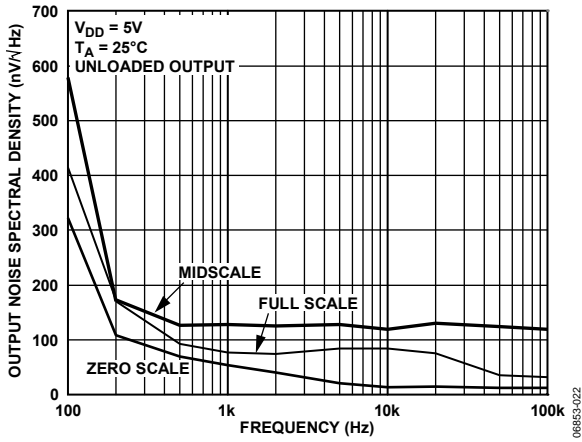


Figure 23. Noise Spectral Density

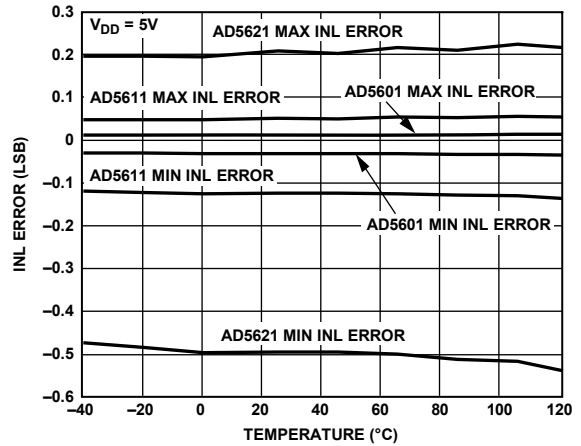


Figure 26. INL vs. Temperature (5 V)

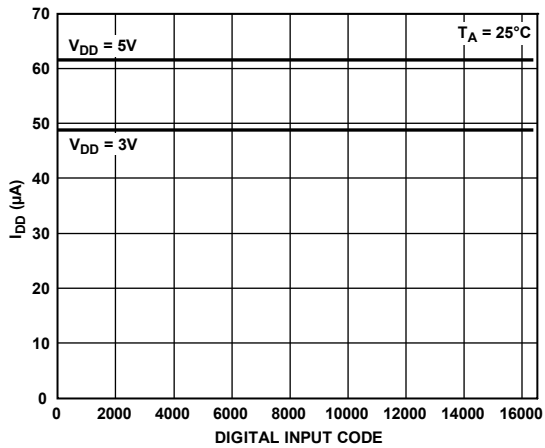


Figure 24. Supply Current vs. Digital Input Code

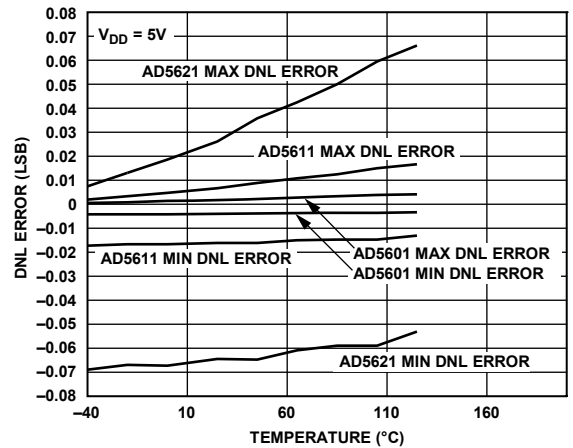


Figure 27. DNL vs. Temperature (5 V)

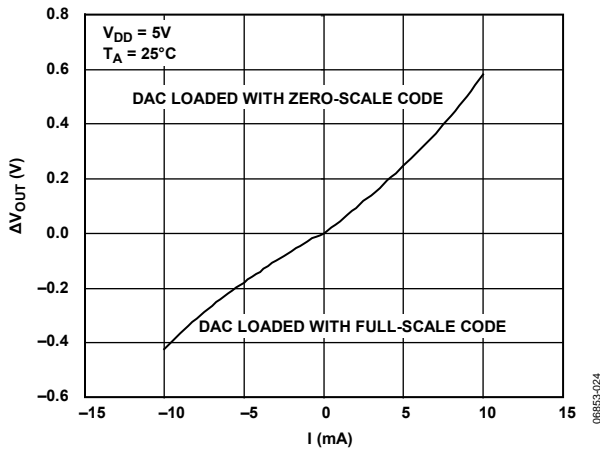


Figure 25. Sink and Source Capability

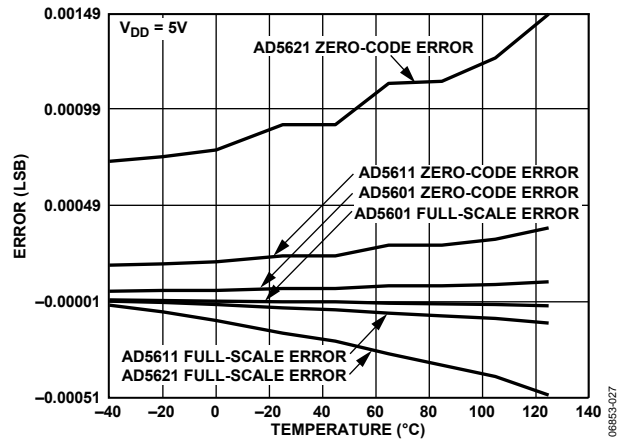


Figure 28. Zero-Code Error and Full-Scale Error vs. Temperature

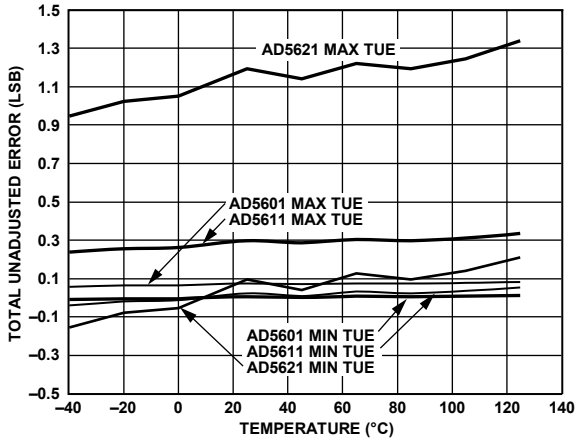


Figure 29. Total Unadjusted Error (TUE) vs. Temperature (5 V)

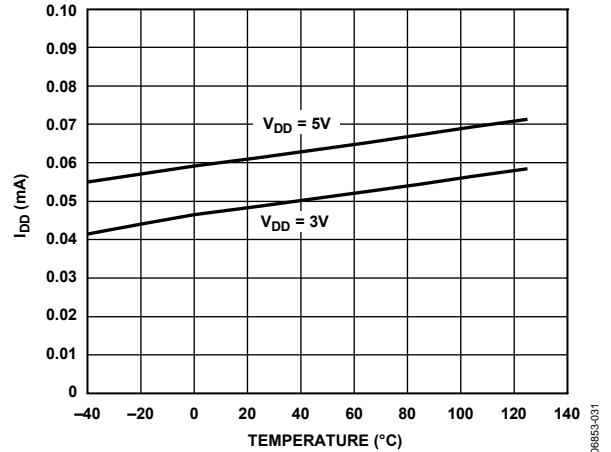


Figure 32. Supply Current vs. Temperature (3 V/5 V Supply)

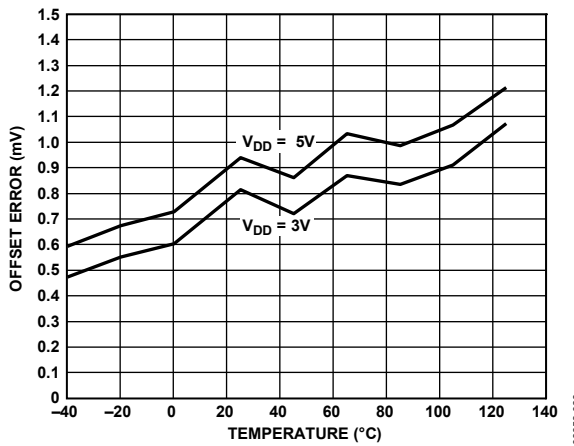


Figure 30. Offset Error vs. Temperature (3 V/5 V Supply)

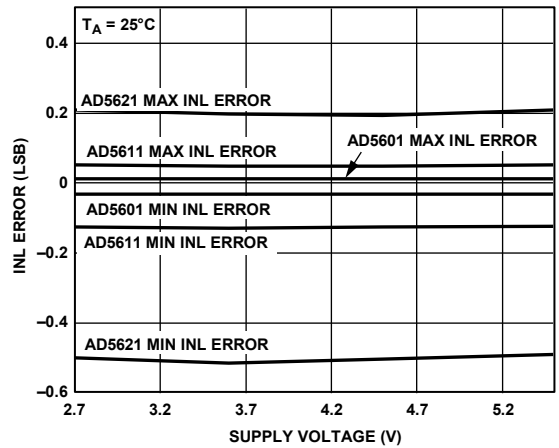


Figure 33. INL vs. Supply Voltage at 25°C

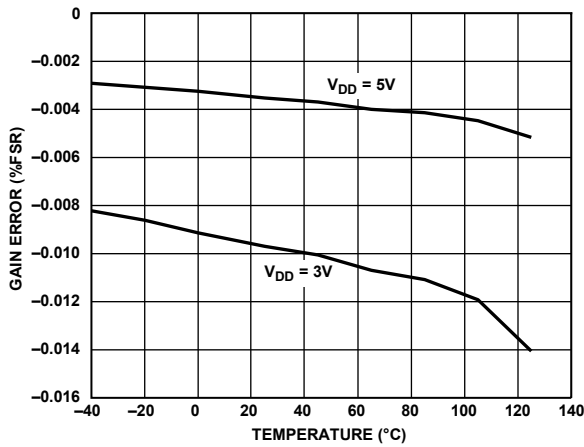


Figure 31. Gain Error vs. Temperature (3 V/5 V Supply)

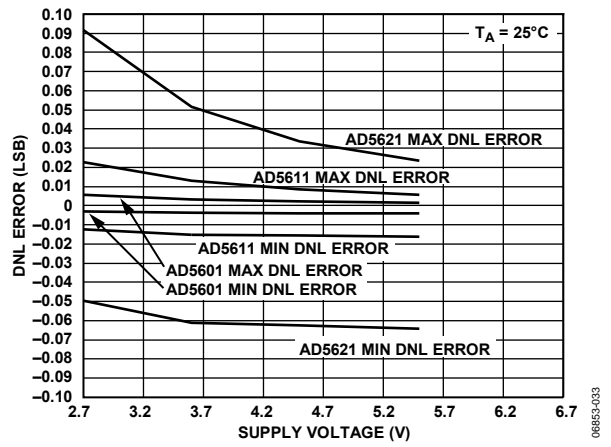


Figure 34. DNL vs. Supply Voltage at 25°C

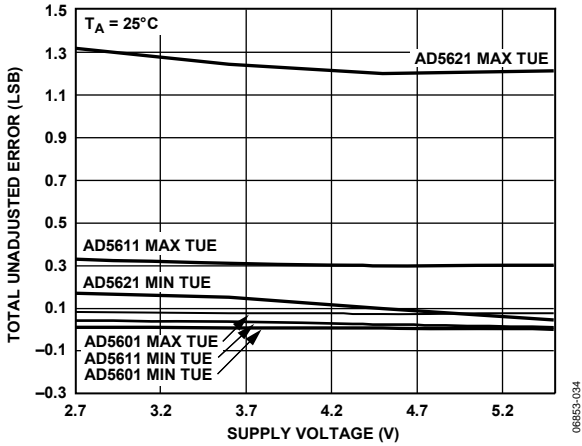


Figure 35. Total Unadjusted Error (TUE) vs. Supply Voltage at 25°C

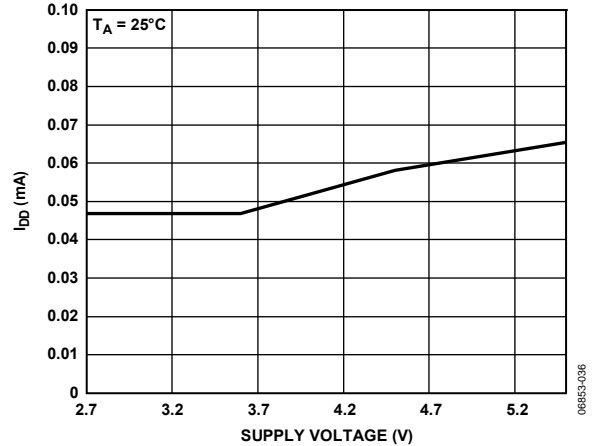


Figure 37. Supply Current vs. Supply Voltage at 25°C

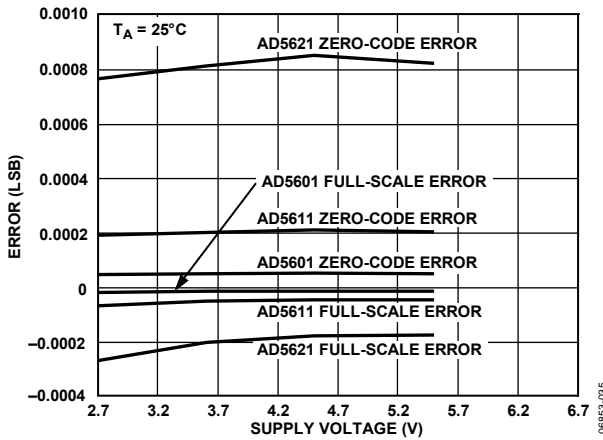


Figure 36. Zero-Code Error and Full-Scale Error vs. Supply Voltage at 25°C

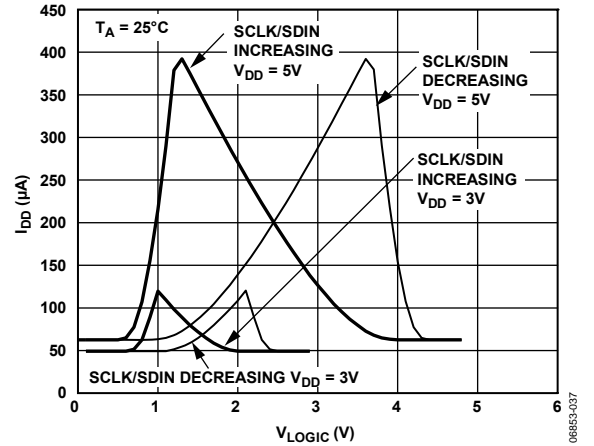


Figure 38. SCLK/SDIN vs. Logic Voltage

## TERMINOLOGY

### Relative Accuracy

For the DAC, relative accuracy or integral nonlinearity (INL) is a measure of the maximum deviation, in LSBs, from a straight line passing through the endpoints of the DAC transfer function. See Figure 5 to Figure 7 for plots of typical INL vs. code.

### Differential Nonlinearity

Differential nonlinearity (DNL) is the difference between the measured change and the ideal 1 LSB change between any two adjacent codes. A specified differential nonlinearity of  $\pm 1$  LSB maximum ensures monotonicity. This DAC is guaranteed monotonic by design. See Figure 11 to Figure 13 for plots of typical DNL vs. code.

### Zero-Code Error

Zero-code error is a measure of the output error when zero code (0x0000) is loaded to the DAC register. Ideally, the output is 0 V. The zero-code error is always positive in the [AD5601/AD5611/AD5621](#) because the output of the DAC cannot go below 0 V. Zero-code error is due to a combination of the offset errors in the DAC and output amplifier. Zero-code error is expressed in mV. See Figure 28 for a plot of zero-code error vs. temperature.

### Full-Scale Error

Full-scale error is a measure of the output error when full-scale code (0xFFFF) is loaded to the DAC register. Ideally, the output is  $V_{DD} - 1$  LSB. Full-scale error is expressed in mV. See Figure 28 for a plot of full-scale error vs. temperature.

### Gain Error

Gain error is a measure of the span error of the DAC. It is the deviation in slope of the DAC transfer characteristic from the ideal, expressed as a percent of the full-scale range.

### Total Unadjusted Error

Total unadjusted error (TUE) is a measure of the output error, taking all the various errors into account. See Figure 8 to Figure 10 for plots of typical TUE vs. code.

### Zero-Code Error Drift

Zero-code error drift is a measure of the change in zero-code error with a change in temperature. It is expressed in  $\mu\text{V}/^\circ\text{C}$ .

### Gain Temperature Coefficient

Gain temperature coefficient is a measure of the change in gain error with changes in temperature. It is expressed in (ppm of full-scale range)/ $^\circ\text{C}$ .

### Digital-to-Analog Glitch Impulse

Digital-to-analog glitch impulse is the impulse injected into the analog output when the input code in the DAC register changes state. It is normally specified as the area of the glitch in nV-s and is measured when the digital input code is changed by 1 LSB at the major carry transition (0x2000 to 0x1FFF). See Figure 19.

### Digital Feedthrough

Digital feedthrough is a measure of the impulse injected into the analog output of the DAC from the digital inputs of the DAC, but is measured when the DAC output is not updated. It is specified in nV-s and is measured with a full-scale code change on the data bus—from all 0s to all 1s and vice versa.

## THEORY OF OPERATION

### DAC SECTION

The AD5601/AD5611/AD5621 DACs are fabricated on a CMOS process. The architecture consists of a string DAC followed by an output buffer amplifier. Figure 39 is a block diagram of the DAC architecture.

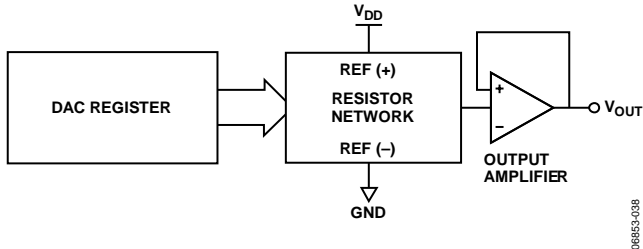


Figure 39. DAC Architecture

Because the input coding to the DAC is straight binary, the ideal output voltage is given by

$$V_{OUT} = V_{DD} \times \left( \frac{D}{2^n} \right)$$

where:

$D$  is the decimal equivalent of the binary code that is loaded to the DAC register.

$n$  is the bit resolution of the DAC.

### RESISTOR STRING

The resistor string structure is shown in Figure 40. It is simply a string of resistors, each of Value  $R$ . The code loaded to the DAC register determines at which node on the string the voltage is tapped off to be fed into the output amplifier. The voltage is tapped off by closing one of the switches connecting the string to the amplifier. Because it is a string of resistors, it is guaranteed monotonic.

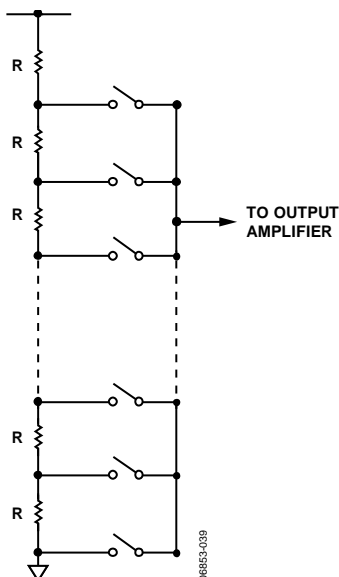


Figure 40. Resistor String Structure

### OUTPUT AMPLIFIER

The output buffer amplifier is capable of generating rail-to-rail voltages on its output, giving an output range of 0 V to  $V_{DD}$ . It is capable of driving a load of 2 k $\Omega$  in parallel with 1000 pF to GND. The source and sink capabilities of the output amplifier are shown in Figure 25. The slew rate is 0.5 V/ $\mu$ s, with a half-scale settling time of 8  $\mu$ s with the output loaded.

### SERIAL INTERFACE

The AD5601/AD5611/AD5621 have a 3-wire serial interface (SYNC, SCLK, and SDIN) that is compatible with SPI, QSPI, and MICROWIRE interface standards as well as most DSPs. See Figure 2 for a timing diagram of a typical write sequence.

The write sequence begins by bringing the SYNC line low. Data from the SDIN line is clocked into the 16-bit shift register on the falling edge of SCLK. The serial clock frequency can be as high as 30 MHz, making the AD5601/AD5611/AD5621 compatible with high speed DSPs. On the 16<sup>th</sup> falling clock edge, the last data bit is clocked in and the programmed function is executed (a change in DAC register contents and/or a change in the mode of operation). At this stage, the SYNC line can be kept low or brought high. In either case, it must be brought high for a minimum of 20 ns before the next write sequence so that a falling edge of SYNC can initiate the next write sequence.

Because the SYNC buffer draws more current when  $V_{IN} = 1.8$  V than it does when  $V_{IN} = 0.8$  V, idle the SYNC buffer low between write sequences for even lower power operation of the device, as mentioned previously. However, it must be brought high again just before the next write sequence.

### INPUT SHIFT REGISTER

The input shift register is 16 bits wide (see Figure 41). The first two bits are control bits, which control the operating mode of the part (normal mode or any one of three power-down modes). For a complete description of the various modes, see the Power-Down Modes section. For the AD5621, the next 12 bits are the data bits, which are transferred to the DAC register on the 16<sup>th</sup> falling edge of SCLK. The information in the last two bits is ignored by the AD5621. See Figure 42 and Figure 43 for the AD5611 and AD5601 input shift register map.

### SYNC INTERRUPT

In a normal write sequence, the SYNC line is kept low for at least 16 falling edges of SCLK and the DAC is updated on the 16<sup>th</sup> falling edge. However, if SYNC is brought high before the 16<sup>th</sup> falling edge, this acts as an interrupt to the write sequence. The shift register is reset and the write sequence is seen as invalid. Neither an update of the DAC register contents nor a change in the operating mode occurs (see Figure 44).

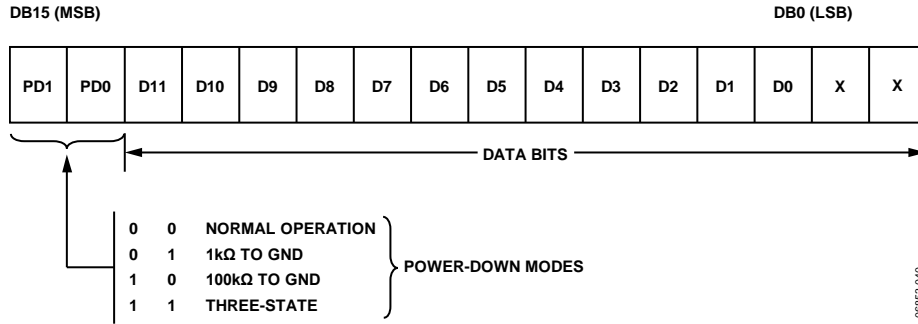


Figure 41. AD5621 Input Register Contents

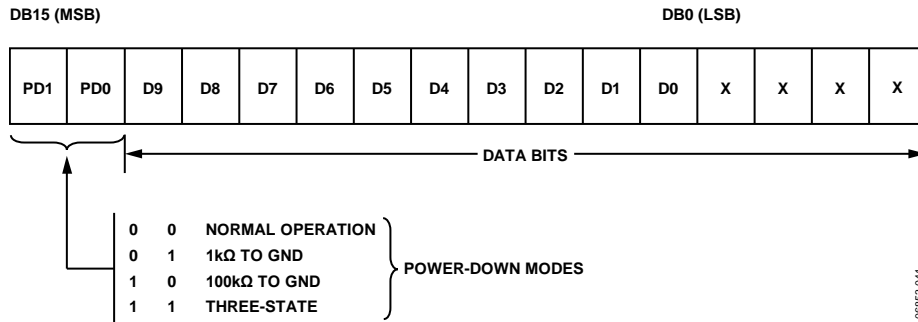


Figure 42. AD5611 Input Register Contents

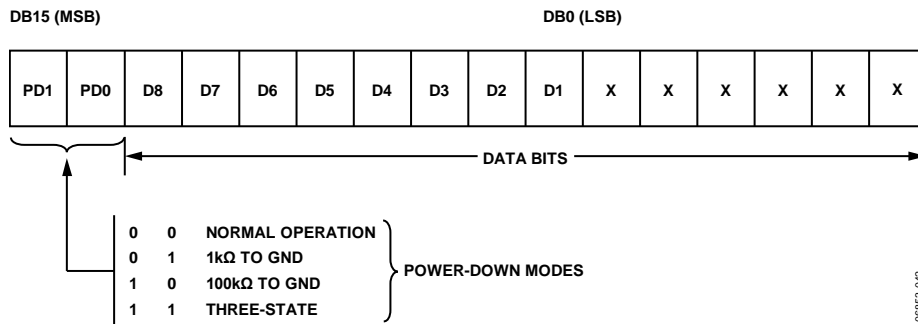


Figure 43. AD5601 Input Register Contents

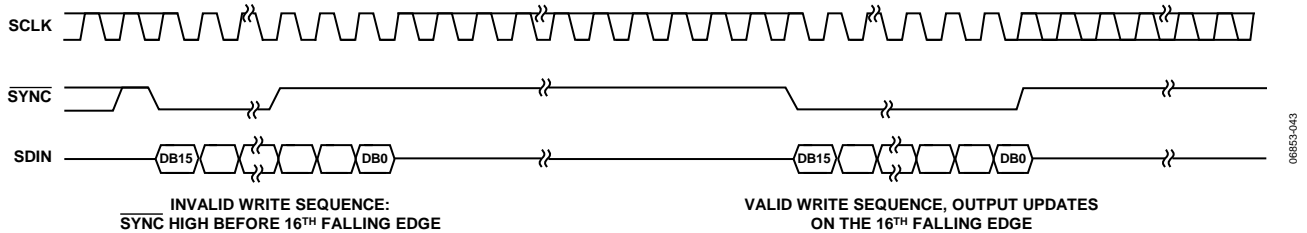


Figure 44. SYNC Interrupt Facility

**POWER-ON RESET**

The AD5601/AD5611/AD5621 contain a power-on reset circuit that controls the output voltage during power-up. The DAC register is filled with 0s and the output voltage is 0 V. It remains there until a valid write sequence is made to the DAC. This is useful in applications in which it is important to know the state of the DAC output while it is in the process of powering up.

**POWER-DOWN MODES**

The AD5601/AD5611/AD5621 have four separate modes of operation. These modes are software-programmable by setting two bits (DB15 and DB14) in the control register. Table 6 shows how the state of the bits corresponds to the operating mode of the device.

**Table 6. Operating Modes of the AD5601/AD5611/AD5621**

| DB15 | DB14 | Operating Mode                   |
|------|------|----------------------------------|
| 0    | 0    | Normal operation                 |
| 0    | 1    | Power-down modes:<br>1 kΩ to GND |
| 1    | 0    | 100 kΩ to GND                    |
| 1    | 1    | Three-state                      |

When both bits are set to 0, the part has normal power consumption of 100 μA maximum at 5 V. However, for the three power-down modes, the supply current falls to typically 0.2 μA at 3 V.

Not only does the supply current fall, but the output stage is also internally switched from the output of the amplifier to a resistor network of known values. This has the advantage that the output impedance of the part is known while the part is in power-down mode.

There are three different options: the output is connected internally to GND through a 1 kΩ resistor or a 100 kΩ resistor, or the output is left open-circuited (three-stated). Figure 45 shows the output stage.

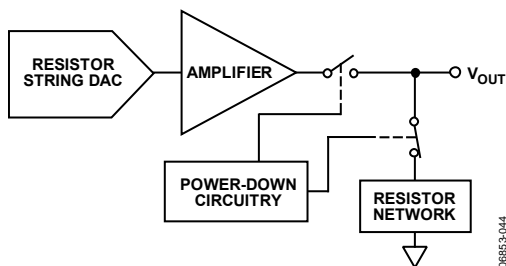


Figure 45. Output Stage During Power-Down

The bias generator, output amplifier, resistor string, and other associated linear circuitry are all shut down when power-down mode is activated. However, the contents of the DAC register are unaffected when in power-down. The time to exit power-down is typically 13 μs for V<sub>DD</sub> = 5 V and 16 μs for V<sub>DD</sub> = 3 V. See Figure 21 for a plot.

**MICROPROCESSOR INTERFACING**

**AD5601/AD5611/AD5621 to ADSP-BF531 Interface**

Figure 46 shows a serial interface between the AD5601/AD5611/AD5621 and the ADSP-BF531. The ADSP-BF531 processor has an integrated SPI port that can connect directly to the SPI pins of the AD5601/AD5611/AD5621.

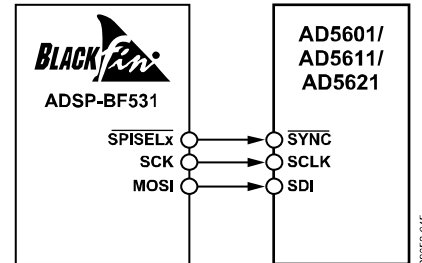
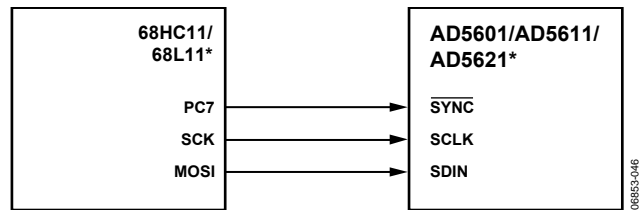


Figure 46. AD5601/AD5611/AD5621 to ADSP-BF531 Interface

**AD5601/AD5611/AD5621 to 68HC11/68L11 Interface**

Figure 47 shows a serial interface between the AD5601/AD5611/AD5621 and the 68HC11/68L11 microcontroller. SCK of the 68HC11/68L11 drives the SCLK of the AD5601/AD5611/AD5621, while the MOSI output drives the serial data line of the DAC. The SYNC signal is derived from a port line (PC7). The setup conditions for proper operation of this interface are as follows: the 68HC11/68L11 must be configured so that the CPOL bit is 0 and the CPHA bit is 1. When data is being transmitted to the DAC, the SYNC line is taken low (PC7). When the 68HC11/68L11 are configured as indicated, data appearing on the MOSI output is valid on the falling edge of SCK. Serial data from the 68HC11/68L11 is transmitted in 8-bit bytes with only eight falling clock edges occurring in the transmit cycle. Data is transmitted MSB first. To load data to the AD5601/AD5611/AD5621, PC7 is left low after the first eight bits are transferred and a second serial write operation is performed to the DAC. PC7 is taken high at the end of this procedure.

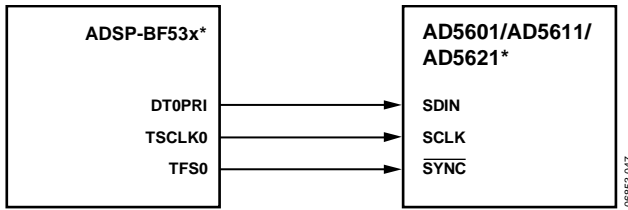


\*ADDITIONAL PINS OMITTED FOR CLARITY

Figure 47. AD5601/AD5611/AD5621 to 68HC11/68L11 Interface

**AD5601/AD5611/AD5621 to Blackfin® ADSP-BF53x Interface**

Figure 48 shows a serial interface between the AD5601/AD5611/AD5621 and the Blackfin ADSP-BF53x microprocessor. The ADSP-BF53x processor family incorporates two dual-channel synchronous serial ports, SPORT1 and SPORT0, for serial and multiprocessor communications. Using SPORT0 to connect to the AD5601/AD5611/AD5621, the setup for the interface is as follows: DT0PRI drives the SDIN pin of the AD5601/AD5611/AD5621, while TSCLK0 drives the SCLK of the part. The SYNC is driven from TFS0.



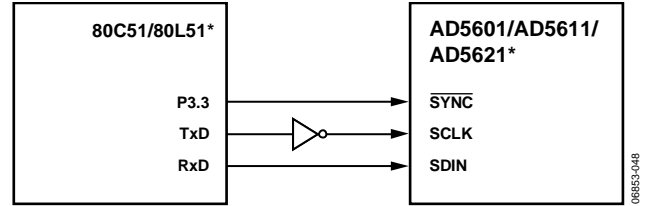
\*ADDITIONAL PINS OMITTED FOR CLARITY

Figure 48. AD5601/AD5611/AD5621 to Blackfin ADSP-BF53x Interface

**AD5601/AD5611/AD5621 to 80C51/80L51 Interface**

Figure 49 shows a serial interface between the AD5601/AD5611/AD5621 and the 80C51/80L51 microcontroller. The setup for the interface is as follows: TxD of the 80C51/80L51 drives SCLK of the AD5601/AD5611/AD5621, while RxD drives the serial data line of the part. The SYNC signal is again derived from a bit programmable pin on the port. In this case, Port Line P3.3 is used. When data is to be transmitted to the AD5601/AD5611/AD5621, P3.3 is taken low. The 80C51/80L51 transmit data only in 8-bit bytes; therefore, only eight falling clock edges occur in the transmit cycle. To load data to the DAC, P3.3 is left low after the first eight bits are transmitted,

and a second write cycle is initiated to transmit the second byte of data. P3.3 is taken high following the completion of this cycle. The 80C51/80L51 output the serial data LSB first. The AD5601/AD5611/AD5621 require data with the MSB as the first bit received. The 80C51/80L51 transmit routine must take this into account.

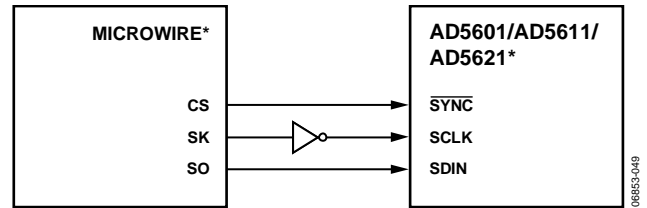


\*ADDITIONAL PINS OMITTED FOR CLARITY

Figure 49. AD5601/AD5611/AD5621 to 80C51/80L51 Interface

**AD5601/AD5611/AD5621 to MICROWIRE Interface**

Figure 50 shows an interface between the AD5601/AD5611/AD5621 and any MICROWIRE-compatible device. Serial data is shifted out on the falling edge of the serial clock and is clocked into the AD5601/AD5611/AD5621 on the rising edge of the SK.



\*ADDITIONAL PINS OMITTED FOR CLARITY

Figure 50. AD5601/AD5611/AD5621 to MICROWIRE Interface

## APPLICATIONS INFORMATION

### CHOOSING A REFERENCE AS POWER SUPPLY FOR THE AD5601/AD5611/AD5621

The AD5601/AD5611/AD5621 come in tiny LFCSP and SC70 packages with less than a 100  $\mu\text{A}$  supply current. Because of this, the choice of reference depends on the application requirements. For applications with space-saving requirements, the ADR02 is recommended. It is available in an SC70 package and has excellent drift at 9 ppm/ $^{\circ}\text{C}$  (3 ppm/ $^{\circ}\text{C}$  in the R-8 package) and provides very good noise performance at 3.4  $\mu\text{V}$  p-p in the 0.1 Hz to 10 Hz range.

Because the supply current required by the AD5601/AD5611/AD5621 is extremely low, the parts are ideal for low supply applications. The ADR395 voltage reference is recommended in this case. It requires less than 100  $\mu\text{A}$  of quiescent current and can, therefore, drive multiple DACs in one system, if required. It also provides very good noise performance at 8  $\mu\text{V}$  p-p in the 0.1 Hz to 10 Hz range.

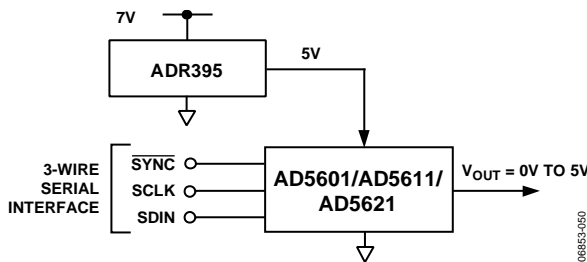


Figure 51. ADR395 as Power Supply to the AD5601/AD5611/AD5621

Some recommended precision references for use as supplies to the AD5601/AD5611/AD5621 are listed in Table 7.

Table 7. Precision References for the AD5601/AD5611/AD5621

| Part No. | Initial Accuracy (mV max) | Temp Drift (ppm/ $^{\circ}\text{C}$ max) | 0.1 Hz to 10 Hz Noise ( $\mu\text{V}$ p-p typ) |
|----------|---------------------------|--|--|
| ADR435   | $\pm 2$                   | 3 (R-8)                                  | 8  |
| ADR425   | $\pm 2$                   | 3 (R-8)                                  | 3.4  |
| ADR02    | $\pm 3$                   | 3 (R-8)                                  | 10   |
| ADR02    | $\pm 3$                   | 3 (SC70)                                 | 10   |
| ADR395   | $\pm 5$                   | 9 (TSOT-23)                              | 8  |

### BIPOLAR OPERATION USING THE AD5601/AD5611/AD5621

The AD5601/AD5611/AD5621 have been designed for single-supply operation, but a bipolar output range is also possible using the circuit shown in Figure 52. The circuit in Figure 52 gives an output voltage range of  $\pm 5$  V. Rail-to-rail operation at the amplifier output is achievable using an AD820 or OP295 as the output amplifier.

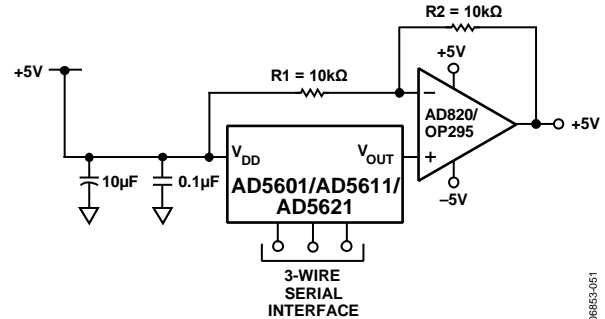


Figure 52. Bipolar Operation with the AD5601/AD5611/AD5621

The output voltage for any input code can be calculated as

$$V_{OUT} = \left[ V_{DD} \times \left( \frac{D}{2^N} \right) \times \left( \frac{R1 + R2}{R1} \right) - V_{DD} \times \left( \frac{R2}{R1} \right) \right]$$

where  $D$  represents the input code in decimal ( $0 - 2^N$ ).

With  $V_{DD} = 5$  V,  $R1 = R2 = 10$  k $\Omega$

$$V_{OUT} = \left( \frac{10 \times D}{2^N} \right) - 5$$

This is an output voltage range of  $\pm 5$  V, with 0x0000 corresponding to a  $-5$  V output and 0x3FFF corresponding to a  $+5$  V output.

### USING THE AD5601/AD5611/AD5621 WITH A GALVANICALLY ISOLATED INTERFACE

In process control applications in industrial environments, it is often necessary to use a galvanically isolated interface to protect and isolate the controlling circuitry from any hazardous common-mode voltages that might occur in the area where the DAC is functioning. *iCoupler*® provides isolation in excess of 2.5 kV. Because the AD5601/AD5611/AD5621 use a 3-wire serial logic interface, the ADuM1300 3-channel digital isolator provides the required isolation (see Figure 53). The power supply to the part also needs to be isolated, which is done by using a transformer. On the DAC side of the transformer, a 5 V regulator provides the 5 V supply required for the AD5601/AD5611/AD5621.

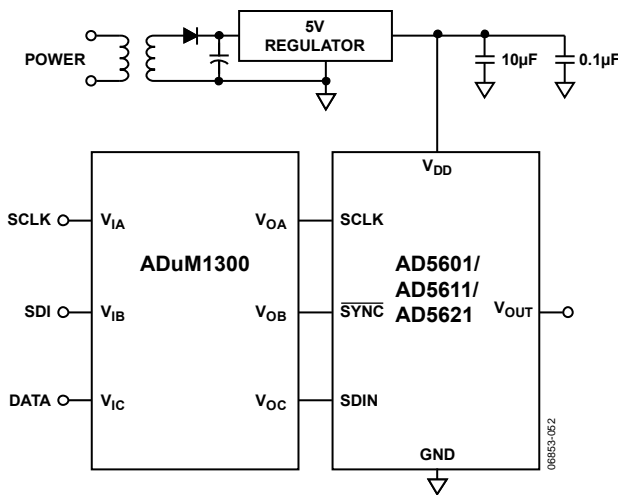


Figure 53. AD5601/AD5611/AD5621 with a Galvanically Isolated Interface

### POWER SUPPLY BYPASSING AND GROUNDING

When accuracy is important in a circuit, it is helpful to carefully consider the power supply and ground return layout on the board. The PCB containing the AD5601/AD5611/AD5621 must have separate analog and digital sections, each having its own area of the board. If the AD5601/AD5611/AD5621 are in a system where other devices require an AGND-to-DGND connection, the connection must be made at one point only. This ground point must be as close as possible to the AD5601/AD5611/AD5621.

Bypass the power supply to the AD5601/AD5611/AD5621 with 10 µF and 0.1 µF capacitors. The capacitors must be physically as close as possible to the device, with the 0.1 µF capacitor ideally right up against the device. The 10 µF capacitors are the tantalum bead type. It is important that the 0.1 µF capacitors have low effective series resistance (ESR) and effective series inductance (ESI), such as in common ceramic types of capacitors. This 0.1 µF capacitor provides a low impedance path to ground for high frequencies caused by transient currents due to internal logic switching.

The power supply line itself must have as large a trace as possible to provide a low impedance path and reduce glitch effects on the supply line. Shield clocks and other fast switching digital signals from other parts of the board by digital ground. Avoid crossover of digital and analog signals, if possible. When traces cross on opposite sides of the board, ensure that they run at right angles to each other to reduce feedthrough effects on the board. The best board layout technique is the microstrip technique, where the component side of the board is dedicated to the ground plane only and the signal traces are placed on the solder side. However, this is not always possible with a two-layer board.

OUTLINE DIMENSIONS

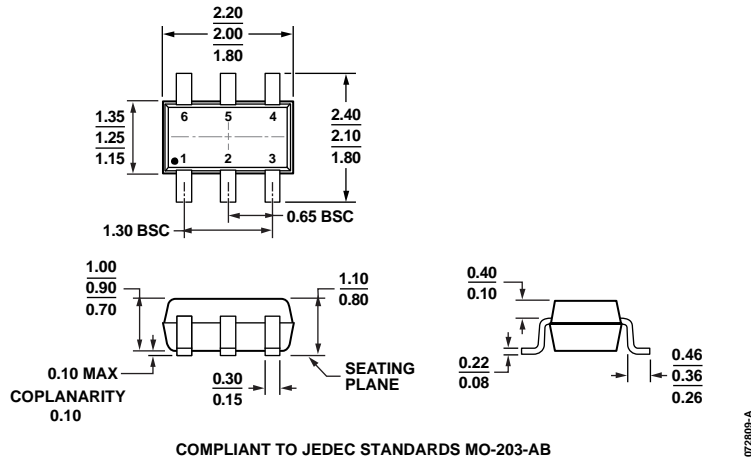


Figure 54. 6-Lead Thin Shrink Small Outline Transistor Package [SC70] (KS-6)  
Dimensions shown in millimeters

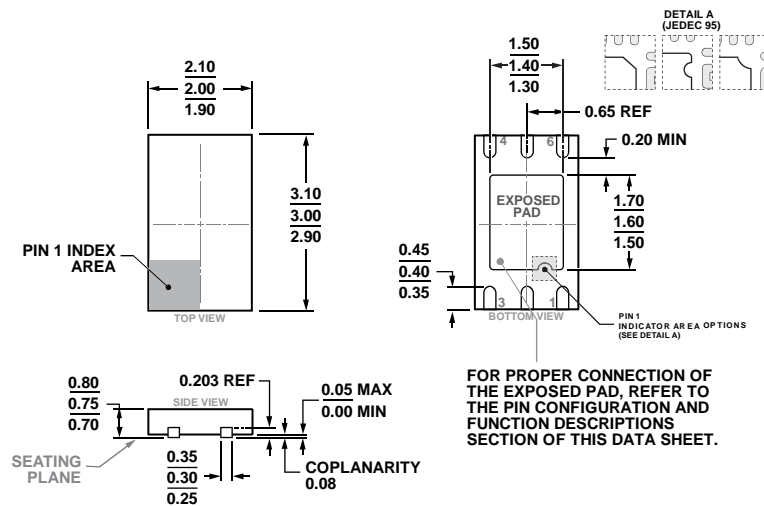


Figure 55. 6-Lead Lead Frame Chip Scale Package [LFCSP] 2.00 × 3.00 mm Body and 0.75 mm Package Height (CP-6-5)  
Dimensions shown in millimeters

## ORDERING GUIDE

| Model <sup>1</sup> | Temperature Range | INL      | Package Description  | Package Option | Branding |
|--------------------|-------------------|----------|--|----------------|----------|
| AD5601BKSZ-500RL7  | -40°C to +125°C   | ±0.5 LSB | 6-Lead Thin Shrink Small Outline Transistor Package [SC70] | KS-6           | D3V      |
| AD5601BKSZ-REEL7   | -40°C to +125°C   | ±0.5 LSB | 6-Lead Thin Shrink Small Outline Transistor Package [SC70] | KS-6           | D3V      |
| AD5601BCPZ-RL7     | -40°C to +125°C   | ±0.5 LSB | 6-Lead Lead Frame Chip Scale Package [LFCSP]               | CP-6-5         | 89       |
| AD5611AKSZ-500RL7  | -40°C to +125°C   | ±4.0 LSB | 6-Lead Thin Shrink Small Outline Transistor Package [SC70] | KS-6           | D3U      |
| AD5611AKSZ-REEL7   | -40°C to +125°C   | ±4.0 LSB | 6-Lead Thin Shrink Small Outline Transistor Package [SC70] | KS-6           | D3U      |
| AD5611ACPZ-RL7     | -40°C to +125°C   | ±4.0 LSB | 6-Lead Lead Frame Chip Scale Package [LFCSP]               | CP-6-5         | 8B       |
| AD5611BKSZ-500RL7  | -40°C to +125°C   | ±0.5 LSB | 6-Lead Thin Shrink Small Outline Transistor Package [SC70] | KS-6           | D3T      |
| AD5611BKSZ-REEL7   | -40°C to +125°C   | ±0.5 LSB | 6-Lead Thin Shrink Small Outline Transistor Package [SC70] | KS-6           | D3T      |
| AD5621AKSZ-500RL7  | -40°C to +125°C   | ±6.0 LSB | 6-Lead Thin Shrink Small Outline Transistor Package [SC70] | KS-6           | D3S      |
| AD5621AKSZ-REEL7   | -40°C to +125°C   | ±6.0 LSB | 6-Lead Thin Shrink Small Outline Transistor Package [SC70] | KS-6           | D3S      |
| AD5621ACPZ-RL7     | -40°C to +125°C   | ±6.0 LSB | 6-Lead Lead Frame Chip Scale Package [LFCSP]               | CP-6-5         | D3S      |
| AD5621BKSZ-500RL7  | -40°C to +125°C   | ±1.0 LSB | 6-Lead Thin Shrink Small Outline Transistor Package [SC70] | KS-6           | D3R      |
| AD5621BKSZ-REEL7   | -40°C to +125°C   | ±1.0 LSB | 6-Lead Thin Shrink Small Outline Transistor Package [SC70] | KS-6           | D3R      |
| EVAL-AD5621EBZ     |                   |          | Evaluation Board   |                |          |

<sup>1</sup> Z = RoHS Compliant Part.

## Looking for pricing, stock, or lifecycle information?

Click below to explore more details on WIN SOURCE:

- ⊖ View [AD5621BKSZ-500RL7](#) on WIN SOURCE
- ⊖ [Analog Devices Inc.](#) Information

## Optimize Your Supply Chain with WIN SOURCE Solutions

- ✓ Global Sourcing Solution
- ✓ Obsolete Management
- ✓ Cost Control Management
- ✓ Shortage Management
- ✓ Alternative Solution
- ✓ Excess Inventory Management