



**THE DATASHEET OF
W3006**



**Description: 2.4-2.5/5.15-7.125GHz Dual band
Ceramic 10x3.2x1.5mm****Series: Chip Antenna****PART NUMBER: W3006****Features:**

- 2.4-2.5 / 5.15-7.125GHz WiFi-6E
- Peak gain 2.2 / 5.2 dBi
- Efficiency 60 / 70 %
- Compact size W x L x H (10 x 3.2 x 1.5 mm)
- Low weight: 240 mg
- Fully SMD compatible
- Tape and reel packing
- RoHS Compliant Product
- Moisture Sensitivity Level: MSL1

Applications:

- Layout 1 for 2.4-2.5 / 5.15-5.85GHz
- Layout 2 for 2.4-2.5 / 5.15-7.125GHz

- IEEE 802.11a/b/g/n/x
- WiFi-6E
- 5 GHz WLAN
- 2.4 GHz WLAN
- 2.4 GHz ISM Band Systems
- 5GHz ISM Band Systems
- ZigBee IEEE 802.15.4

All dimensions are in inches/mm

Issue: 2108

In the effort to improve our products, we reserve the right to make changes judged to be necessary.

CONFIDENTIAL AND PROPRIETARY INFORMATION

This document contains confidential and proprietary information of Pulse Electronics, Inc. (Pulse) and is protected by copyright, trade secret and other state and federal laws. Its receipt or possession does not convey any rights to reproduce, disclose its contents, or to manufacture, use or sell anything it may describe. Reproduction, disclosure or use without specific written authorization of Pulse is strictly forbidden.

For more information:

Pulse Worldwide Headquarters
15255 Innovation Drive #100
San Diego, CA 92128
USA
Tel: 1-858-674-8100

Pulse/Larsen Antennas
18110 SE 34th St Bldg 2 Suite 250
Vancouver, WA 98683
USA
Tel: 1-360-944-7551

Europe Headquarters
Pulse GmbH & Do, KG
Zeppelinstrasse 15
Herrenberg, Germany
Tel: 49 7032 7806 0

Pulse (Suzhou) Wireless Products Co, Inc.
99 Huo Ju Road(#29 Bldg,4th Phase
Suzhou New District
Jiangsu Province, Suzhou 215009 PR China
Tel: 86 512 6807 9998



**Description: 2.4-2.5/5.15-7.125GHz Dual band
Ceramic 10x3.2x1.5mm****PART NUMBER: W3006****Series: Chip Antenna****ELECTRICAL SPECIFICATIONS***Layout and Matching for 2.4-2.5/5.15-5.85GHz*

Frequency	2.4-2.5 / 5.15-5.85 GHz
Return Loss	-8 /-9 dB max
Efficiency (typical)	60 / 80 %
Peak Gain (typical)	1.8 / 4.5dBi

Layout and Matching for 2.4-2.5/5.15-7.125GHz WiFi-6E

Frequency	2.4-2.5 / 5.15-7.125 GHz
Return Loss	-5 /-5 dB max
Efficiency (typical)	65 / 75 %
Peak Gain (typical)	1.6 / 4.2dBi
Nominal Impedance	50Ω
Polarization	Linear
Interface	SMD mount ceramic antenna

**Description: 2.4-2.5/5.15-7.125GHz Dual band
Ceramic 10x3.2x1.5mm****Series: Chip Antenna****PART NUMBER: W3006****MECHANICAL SPECIFICATIONS**

Weight	0.24g
Size	10 x 3.2 x 1.5 mm

ENVIRONMENTAL SPECIFICATIONS

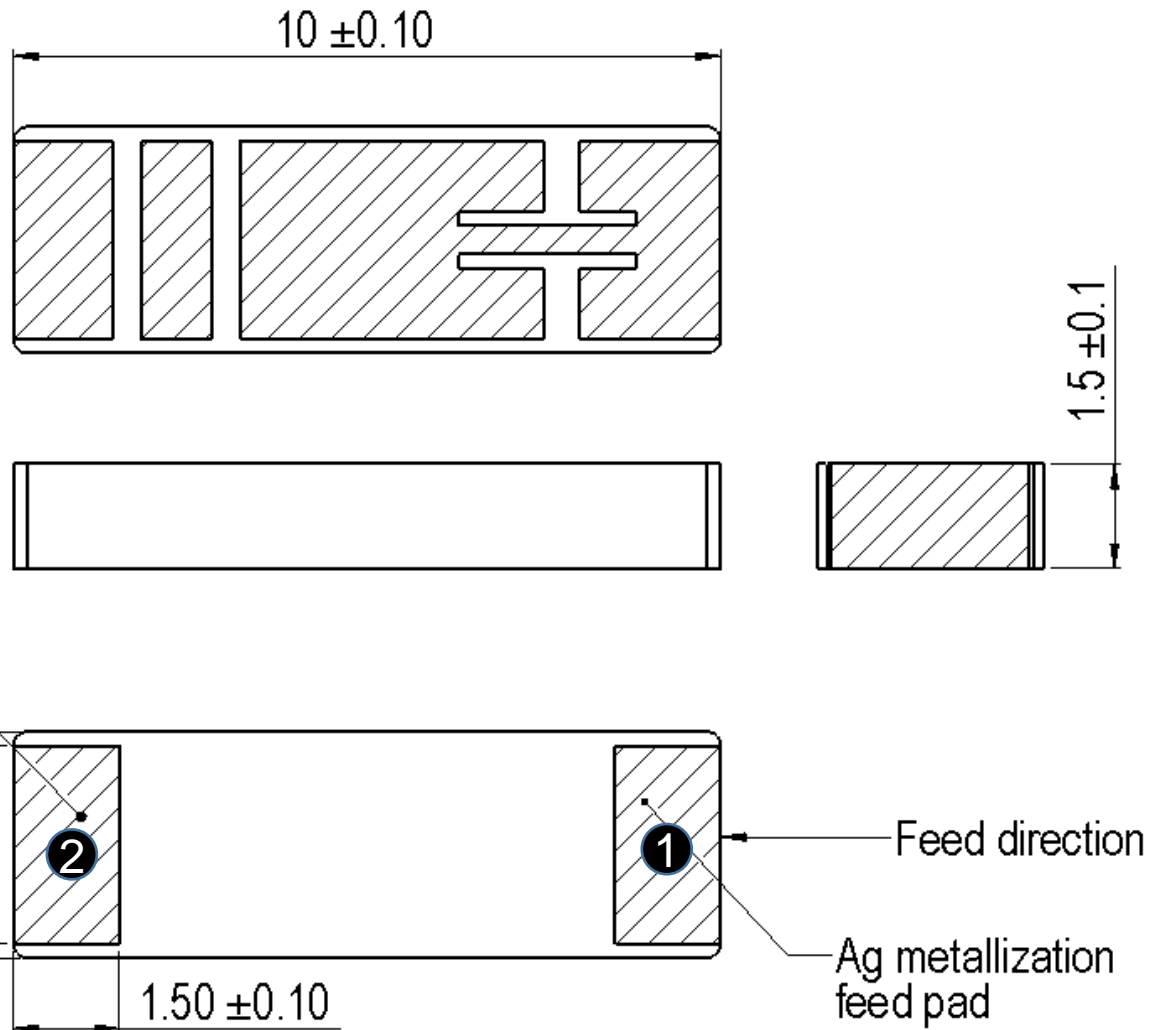
Operating temperature	-40~+85° C
Temperature	-40~+85° C
Humidity	Cyclic 6 +25° C/+55° C 95%
Vibration	
Sinusoidal 2-8Hz	7.5 mm
Sinusoidal 8-200Hz	20 m/s ²
Shocks	0.5 m/s
Salt mist	96 hours

Description: 2.4-2.5/5.15-7.125GHz Dual band
Ceramic 10x3.2x1.5mm

Series: Chip Antenna

PART NUMBER: W3006

MECHANICAL DRAWING AND TERMINAL CONFIGURATION



No.	Terminal Name	Terminal Dimensions
1	Feed	1.5 x 2.75 mm
2	Support pad	1.5 x 2.75 mm

Antenna feed pad can be identified by looking top surface metallization pattern

Issue: 2108

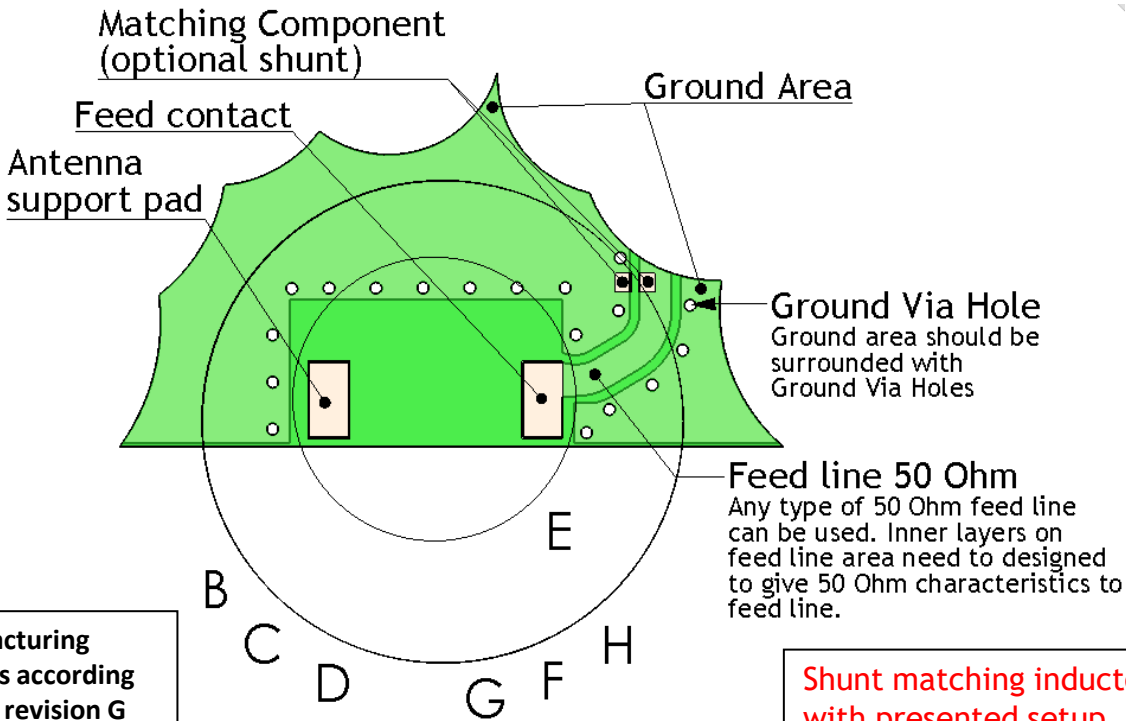
In the effort to improve our products, we reserve the right to make changes judged to be necessary.

CONFIDENTIAL AND PROPRIETARY INFORMATION

This document contains confidential and proprietary information of Pulse Electronics, Inc. (Pulse) and is protected by copyright, trade secret and other state and federal laws. Its receipt or possession does not convey any rights to reproduce, disclose its contents, or to manufacture, use or sell anything it may describe. Reproduction, disclosure or use without specific written authorization of Pulse is strictly forbidden.

MECHANICAL DRAWING AND TERMINAL CONFIGURATION

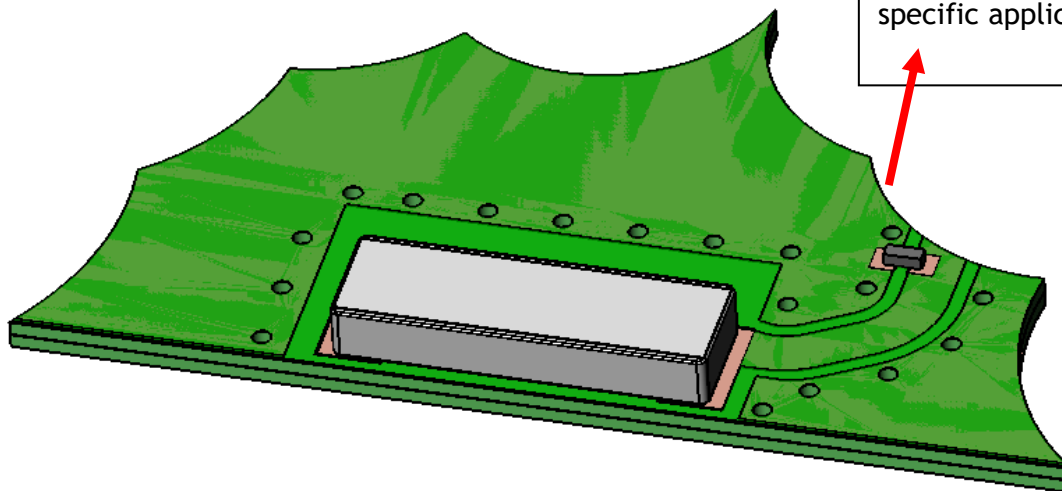
Ground cleared under antenna



PWB manufacturing requirements according to IPC-A-600 revision G or similar

Shunt matching inductor, 1.5nH with presented setup. Same value for layout 1 and 2 reference boards.

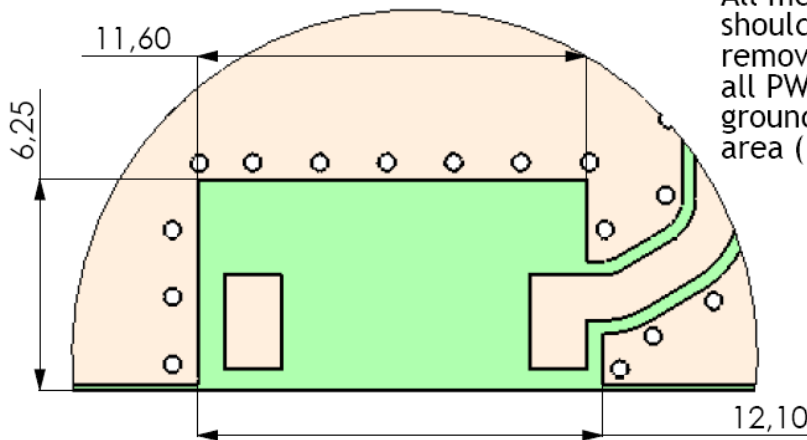
Exact inductor value depends on specific application.



MECHANICAL DRAWING AND TERMINAL CONFIGURATION

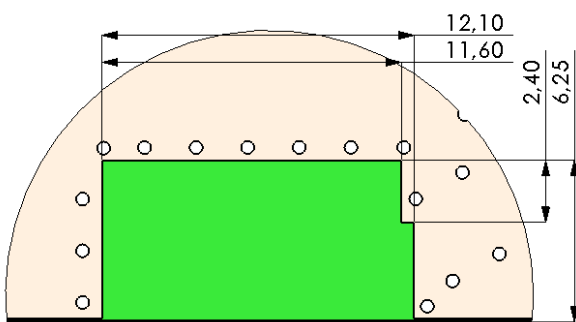
1. Layout and Matching for 2.4-2.5/5.15-5.85GHz

Ground clearance area (11.60 x 6.25 mm)

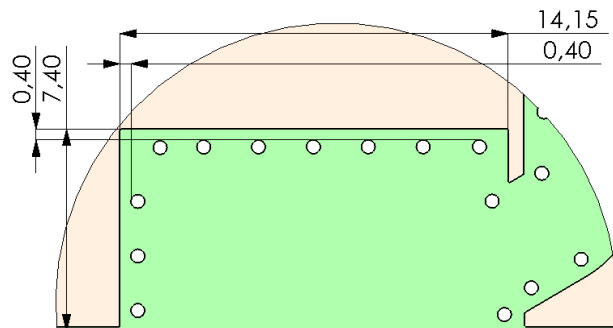


All metallization should be removed from all PWB layers on ground clearance area (11.60 x 6.25 mm)

Opening in bottom/inner ground layers



Opening in other layers (no ground/ RF)



Description: 2.4-2.5/5.15-7.125GHz Dual band
Ceramic 10x3.2x1.5mm

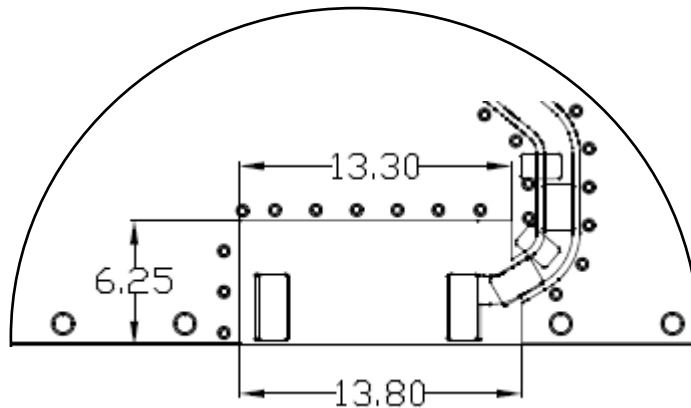
PART NUMBER: W3006

Series: Chip Antenna

MECHANICAL DRAWING AND TERMINAL CONFIGURATION

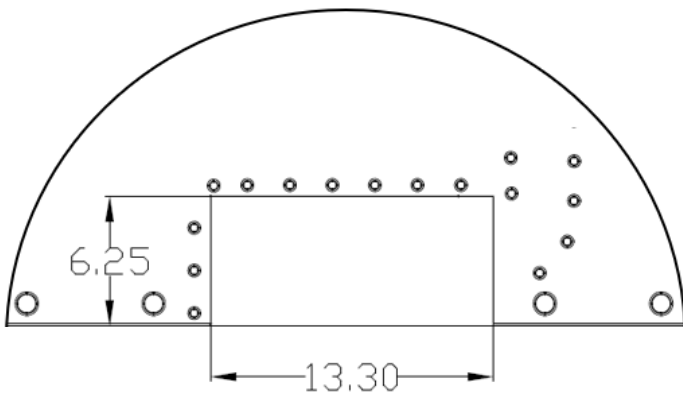
2. Layout and Matching for 2.4-2.5/5.15-7.125GHz

Ground clearance area (13.3 x 6.25 mm)

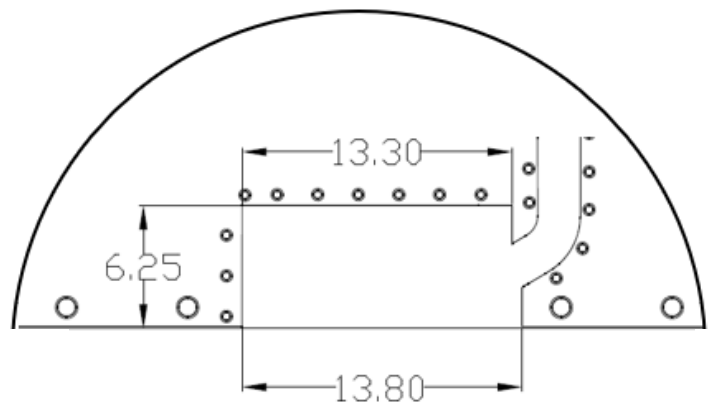


All metallization should be removed from all PWB layers on ground clearance area (13.3 x 6.25mm)

Opening in bottom/inner ground layers



Opening in other layers (no ground/RF)



Description: 2.4-2.5/5.15-7.125GHz Dual band
Ceramic 10x3.2x1.5mm

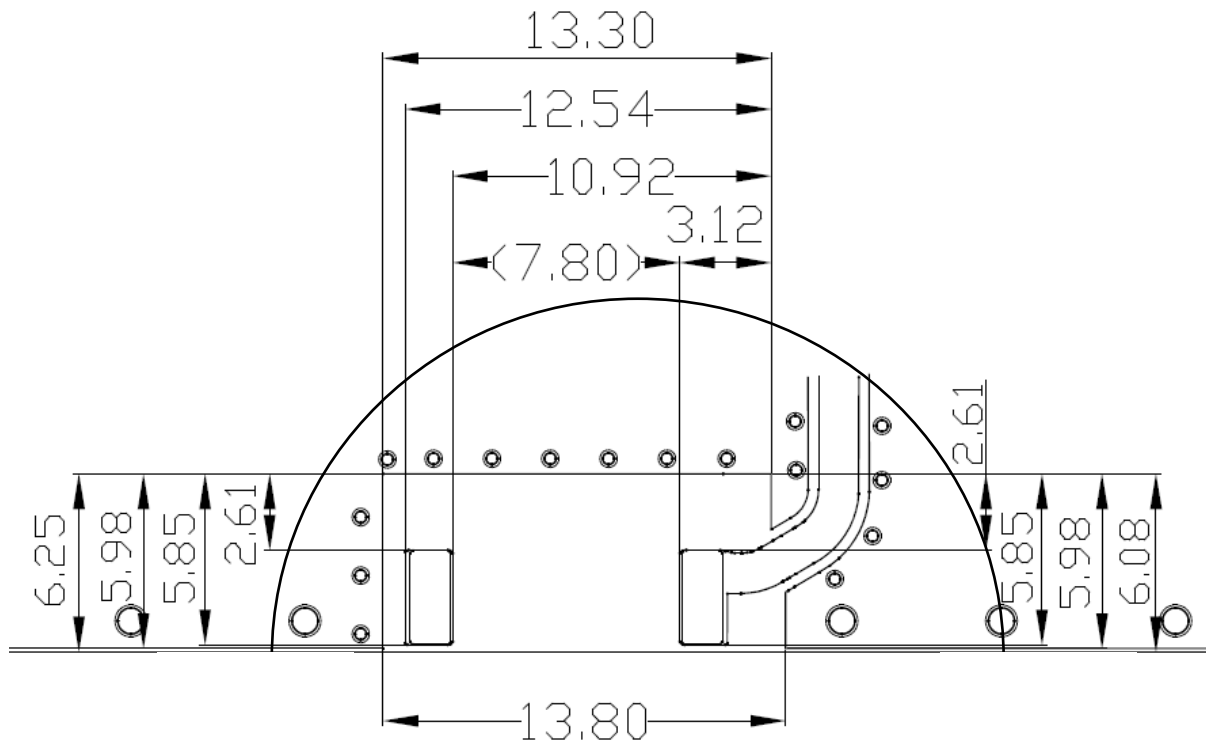
Series: Chip Antenna

PART NUMBER: W3006

MECHANICAL DRAWING AND TERMINAL CONFIGURATION

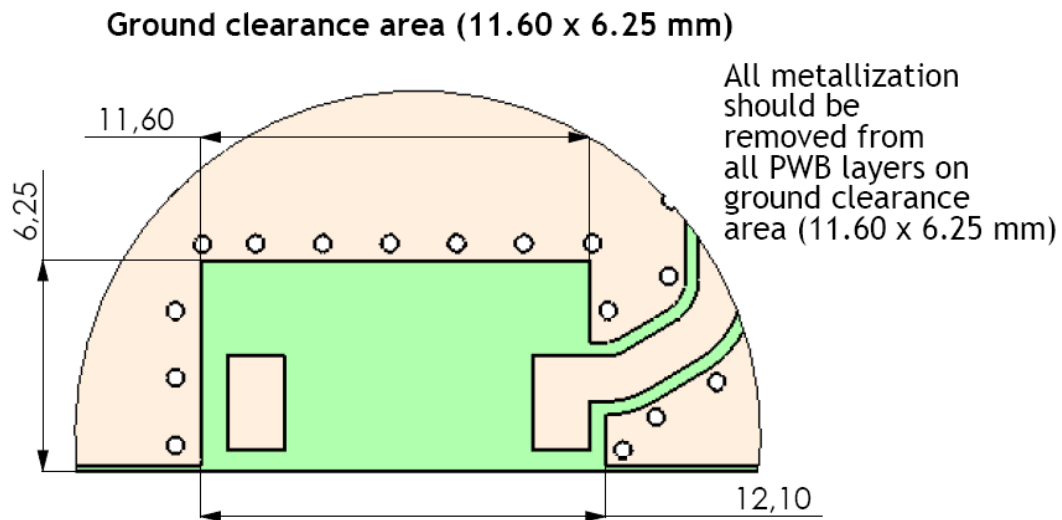
Recommended Antenna Pad Dimensions on PWB Layout (top surface)

Pad dimensions in top copper

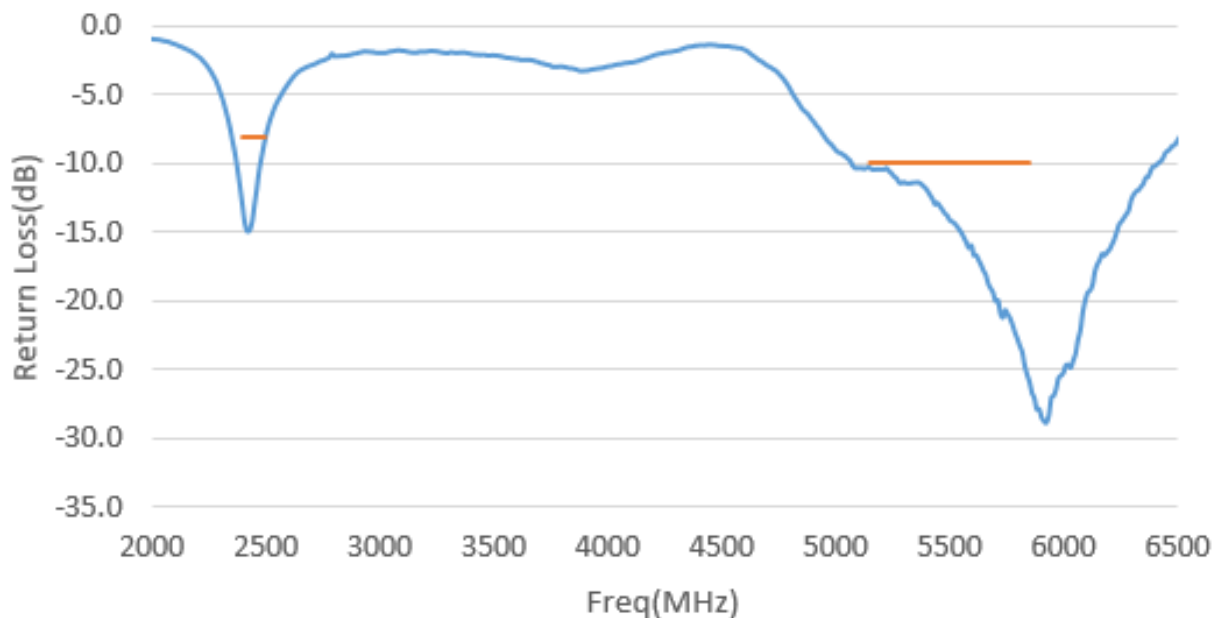


Test setup

1. Layout and Matching for 2.4-2.5/5.15-5.85GHz



Return Loss



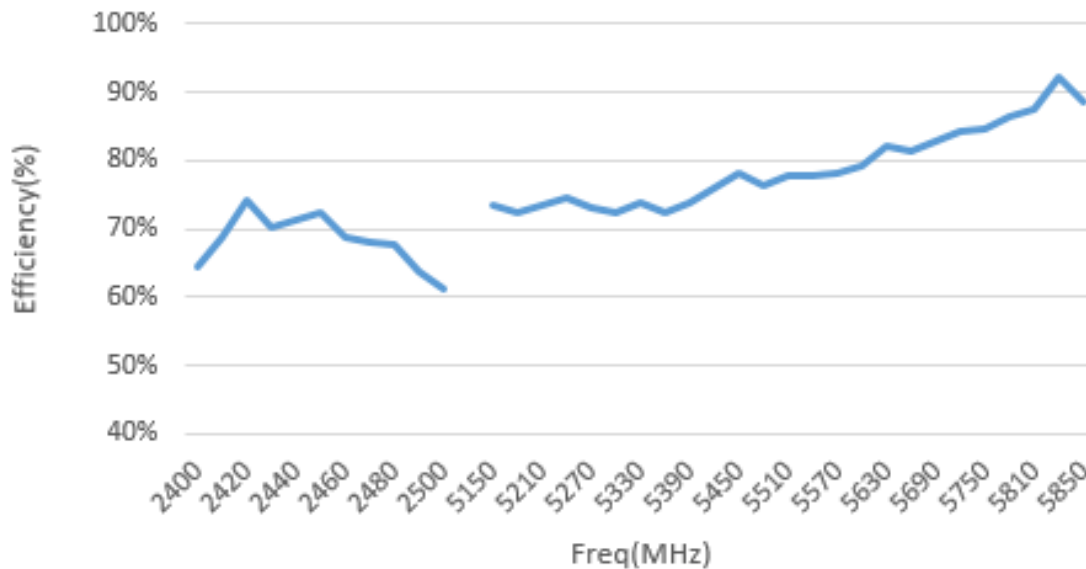
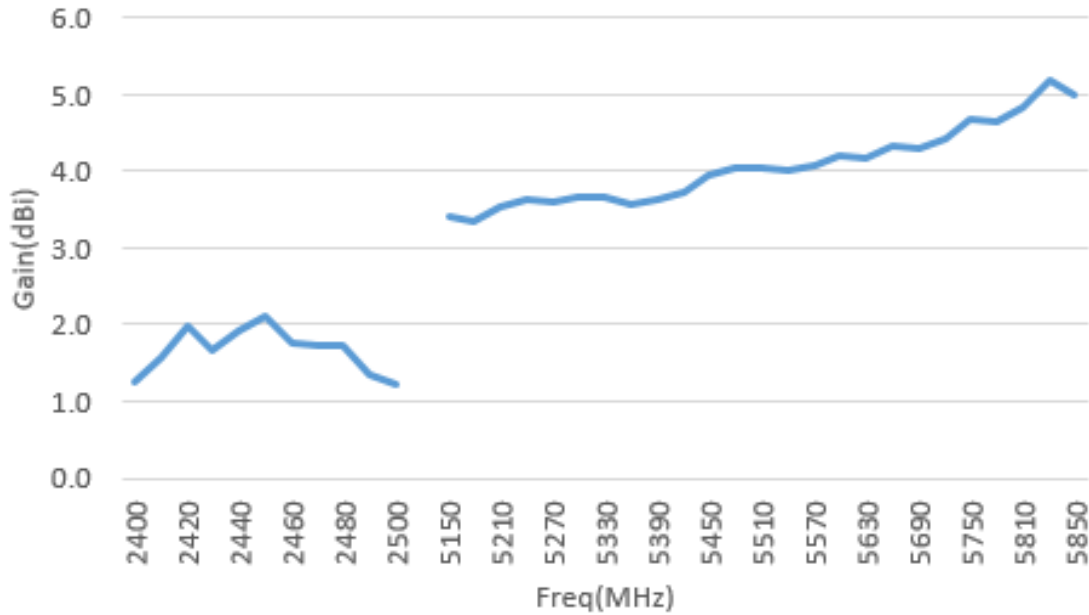
Description: 2.4-2.5/5.15-7.125GHz Dual band
Ceramic 10x3.2x1.5mm

PART NUMBER: W3006

Series: Chip Antenna

CHARTS

1. Layout and Matching for 2.4-2.5/5.15-5.85GHz



Issue: 2108

In the effort to improve our products, we reserve the right to make changes judged to be necessary.

CONFIDENTIAL AND PROPRIETARY INFORMATION

This document contains confidential and proprietary information of Pulse Electronics, Inc. (Pulse) and is protected by copyright, trade secret and other state and federal laws. Its receipt or possession does not convey any rights to reproduce, disclose its contents, or to manufacture, use or sell anything it may describe. Reproduction, disclosure or use without specific written authorization of Pulse is strictly forbidden.

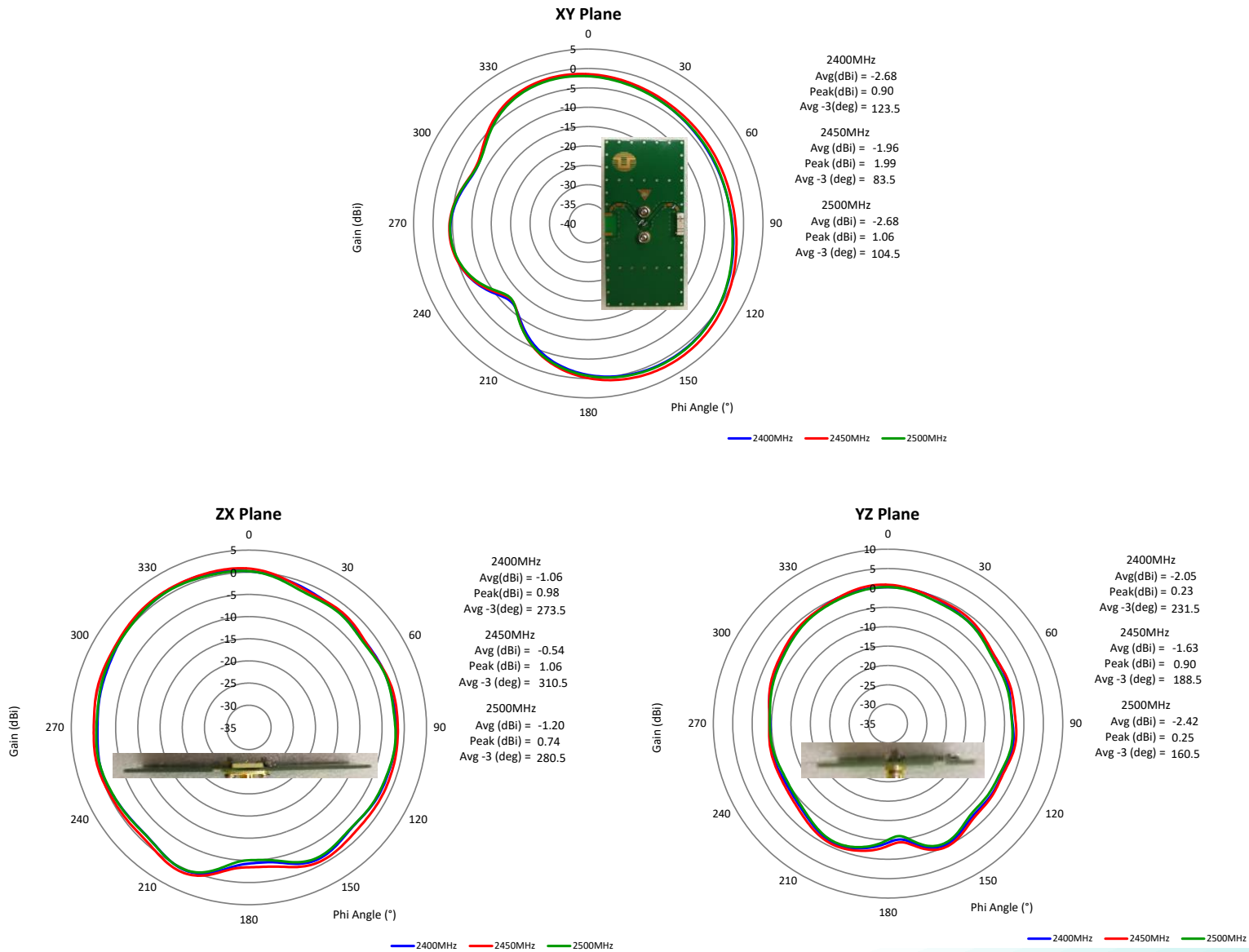
Description: 2.4-2.5/5.15-7.125GHz Dual band
Ceramic 10x3.2x1.5mm

PART NUMBER: W3006

Series: Chip Antenna

CHARTS

1. Layout and Matching for 2.4-2.5/5.15-5.85GHz



Issue: 2108

In the effort to improve our products, we reserve the right to make changes judged to be necessary.

CONFIDENTIAL AND PROPRIETARY INFORMATION

This document contains confidential and proprietary information of Pulse Electronics, Inc. (Pulse) and is protected by copyright, trade secret and other state and federal laws. Its receipt or possession does not convey any rights to reproduce, disclose its contents, or to manufacture, use or sell anything it may describe. Reproduction, disclosure or use without specific written authorization of Pulse is strictly forbidden.

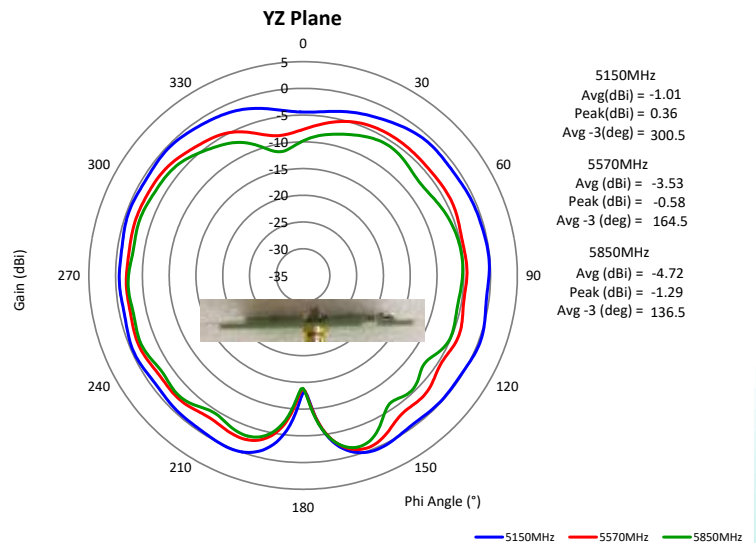
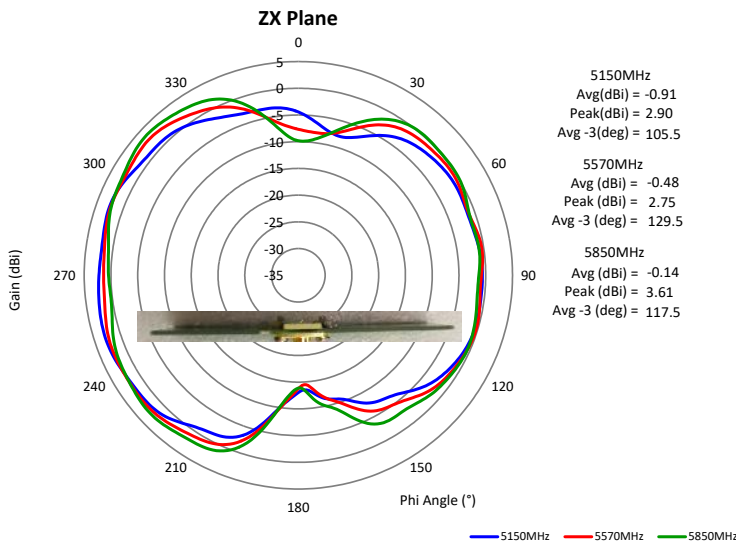
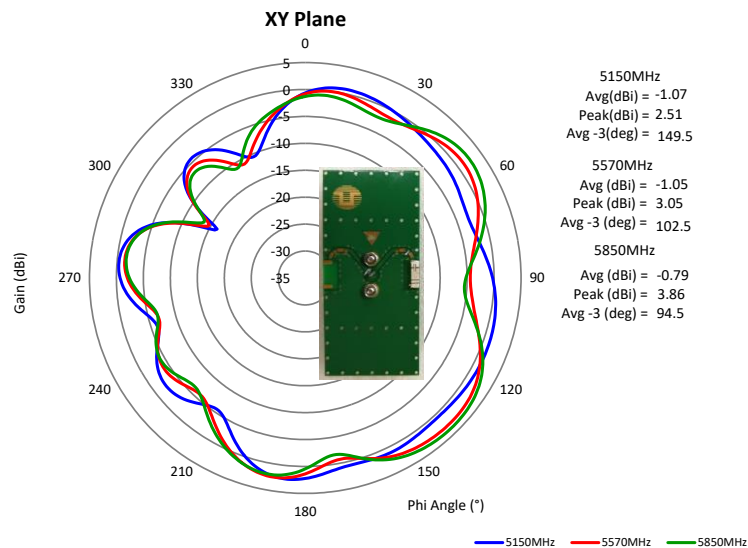
Description: 2.4-2.5/5.15-7.125GHz Dual band
Ceramic 10x3.2x1.5mm

PART NUMBER: W3006

Series: Chip Antenna

CHARTS

1. Layout and Matching for 2.4-2.5/5.15-5.85GHz



Issue: 2108

In the effort to improve our products, we reserve the right to make changes judged to be necessary.

CONFIDENTIAL AND PROPRIETARY INFORMATION

This document contains confidential and proprietary information of Pulse Electronics, Inc. (Pulse) and is protected by copyright, trade secret and other state and federal laws. Its receipt or possession does not convey any rights to reproduce, disclose its contents, or to manufacture, use or sell anything it may describe. Reproduction, disclosure or use without specific written authorization of Pulse is strictly forbidden.

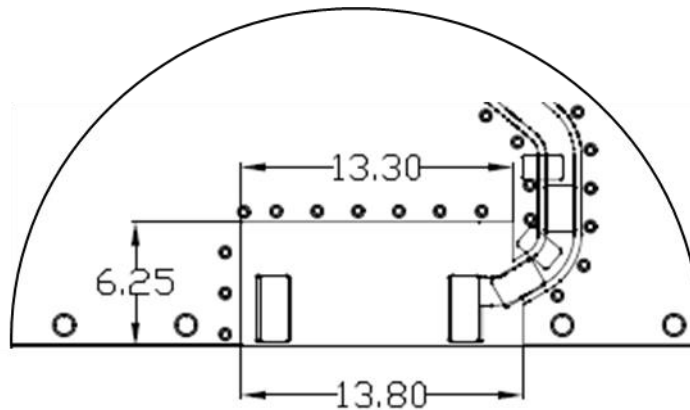
Description: 2.4-2.5/5.15-7.125GHz Dual band
Ceramic 10x3.2x1.5mm

Series: Chip Antenna

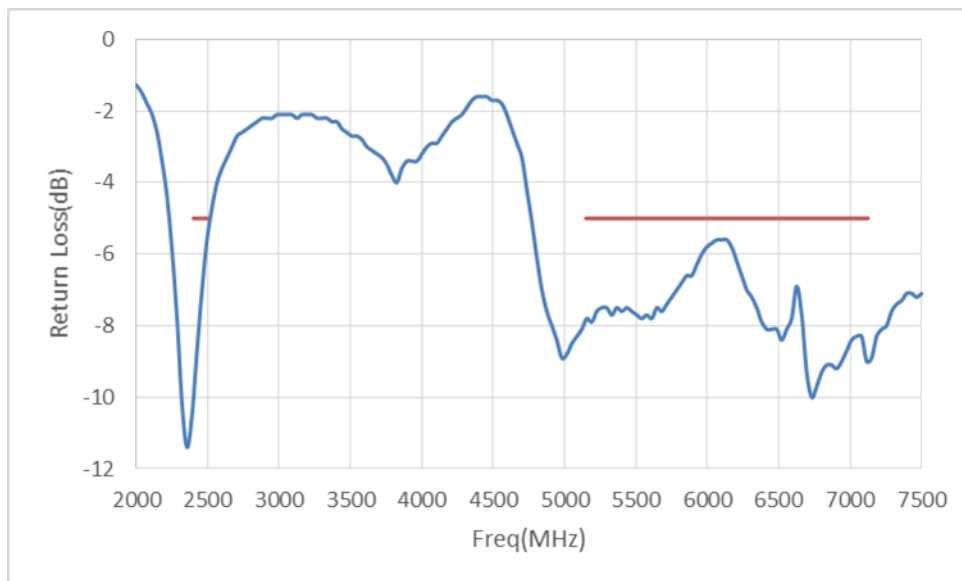
PART NUMBER: W3006

Test setup

2. Layout and Matching for 2.4-2.5/5.15-7.125GHz



Return Loss



Issue: 2108

In the effort to improve our products, we reserve the right to make changes judged to be necessary.

CONFIDENTIAL AND PROPRIETARY INFORMATION

This document contains confidential and proprietary information of Pulse Electronics, Inc. (Pulse) and is protected by copyright, trade secret and other state and federal laws. Its receipt or possession does not convey any rights to reproduce, disclose its contents, or to manufacture, use or sell anything it may describe. Reproduction, disclosure or use without specific written authorization of Pulse is strictly forbidden.

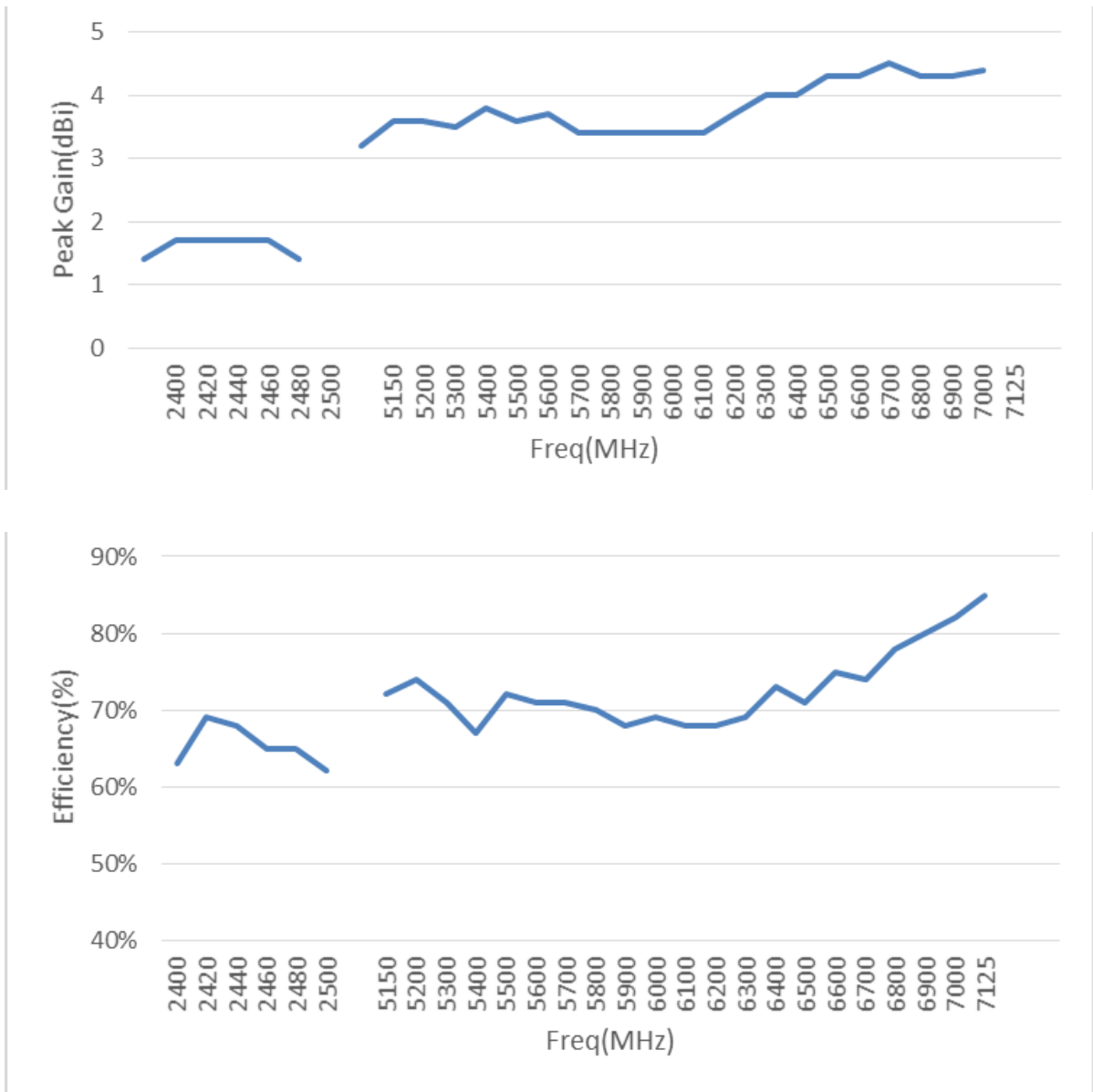
Description: 2.4-2.5/5.15-7.125GHz Dual band
Ceramic 10x3.2x1.5mm

PART NUMBER: W3006

Series: Chip Antenna

CHARTS

2. Layout and Matching for 2.4-2.5/5.15-7.125GHz



Issue: 2108

In the effort to improve our products, we reserve the right to make changes judged to be necessary.

CONFIDENTIAL AND PROPRIETARY INFORMATION

This document contains confidential and proprietary information of Pulse Electronics, Inc. (Pulse) and is protected by copyright, trade secret and other state and federal laws. Its receipt or possession does not convey any rights to reproduce, disclose its contents, or to manufacture, use or sell anything it may describe. Reproduction, disclosure or use without specific written authorization of Pulse is strictly forbidden.

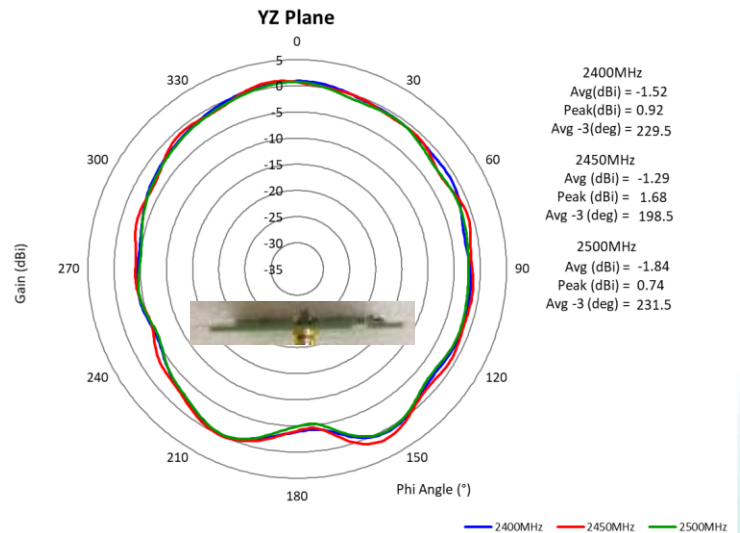
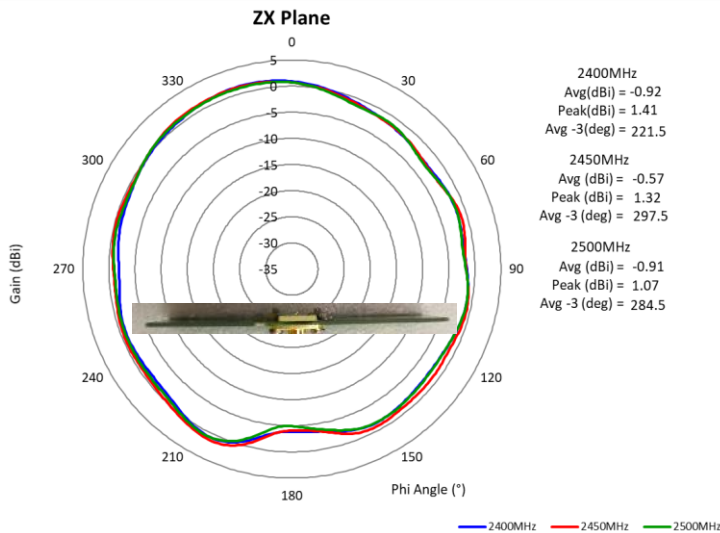
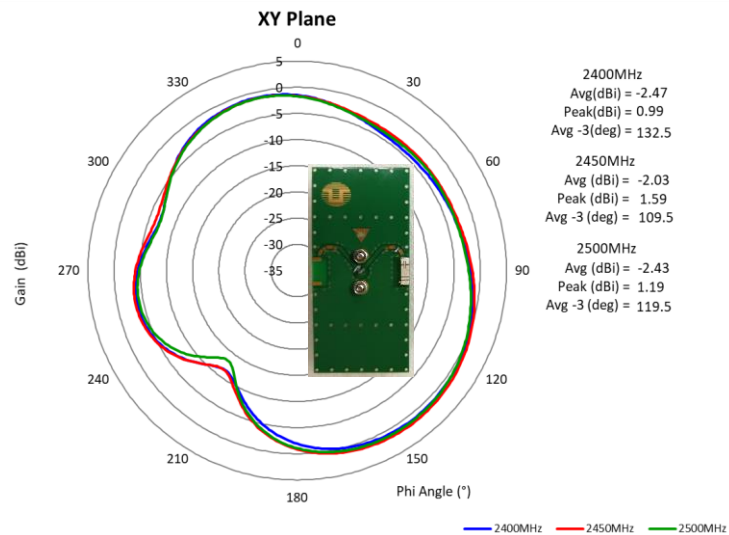
Description: 2.4-2.5/5.15-7.125GHz Dual band
Ceramic 10x3.2x1.5mm

PART NUMBER: W3006

Series: Chip Antenna

CHARTS

2. Layout and Matching for 2.4-2.5/5.15-7.125GHz



Issue: 2108

In the effort to improve our products, we reserve the right to make changes judged to be necessary.

CONFIDENTIAL AND PROPRIETARY INFORMATION

This document contains confidential and proprietary information of Pulse Electronics, Inc. (Pulse) and is protected by copyright, trade secret and other state and federal laws. Its receipt or possession does not convey any rights to reproduce, disclose its contents, or to manufacture, use or sell anything it may describe. Reproduction, disclosure or use without specific written authorization of Pulse is strictly forbidden.

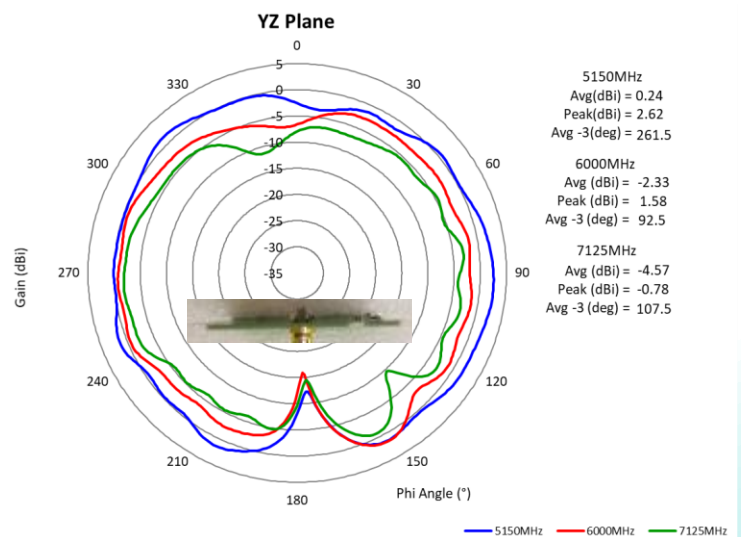
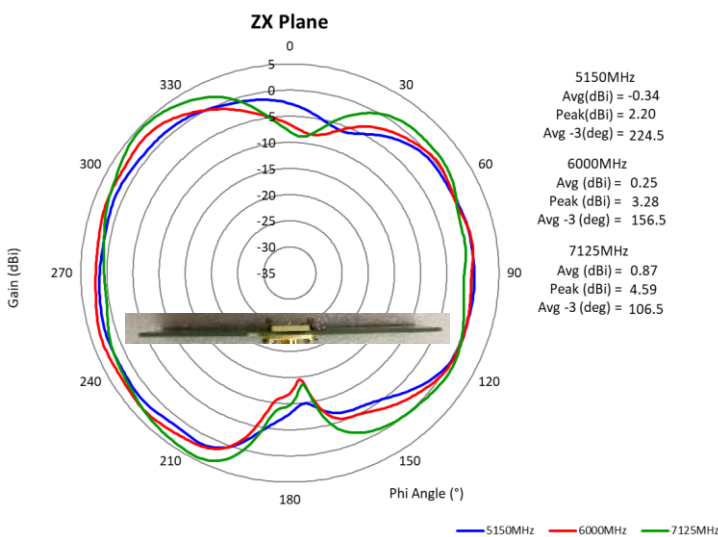
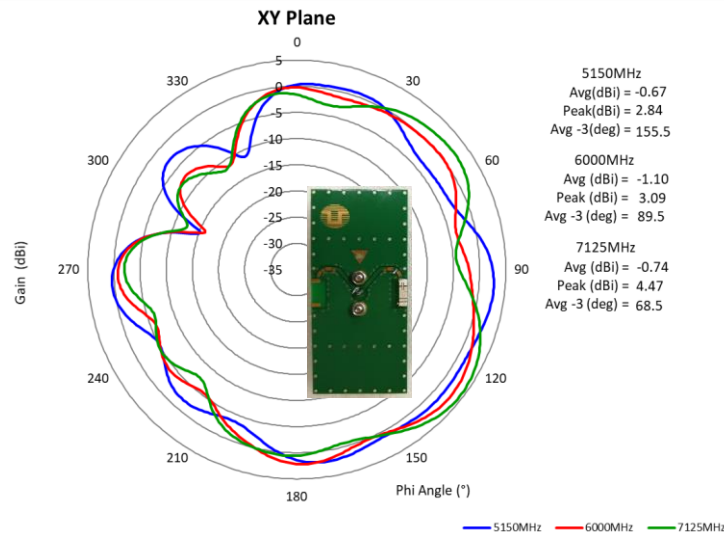
Description: 2.4-2.5/5.15-7.125GHz Dual band
Ceramic 10x3.2x1.5mm

PART NUMBER: W3006

Series: Chip Antenna

CHARTS

2. Layout and Matching for 2.4-2.5/5.15-7.125GHz



Issue: 2108

In the effort to improve our products, we reserve the right to make changes judged to be necessary.

CONFIDENTIAL AND PROPRIETARY INFORMATION

This document contains confidential and proprietary information of Pulse Electronics, Inc. (Pulse) and is protected by copyright, trade secret and other state and federal laws. Its receipt or possession does not convey any rights to reproduce, disclose its contents, or to manufacture, use or sell anything it may describe. Reproduction, disclosure or use without specific written authorization of Pulse is strictly forbidden.

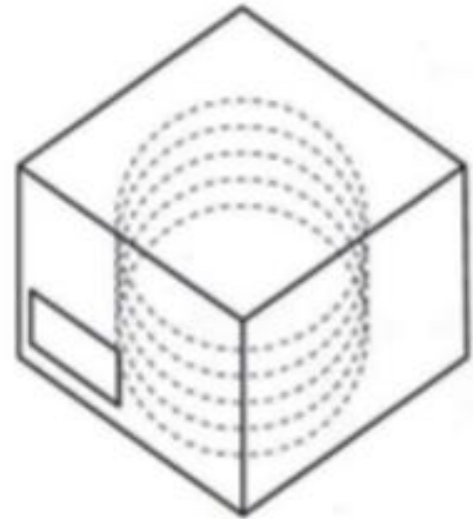
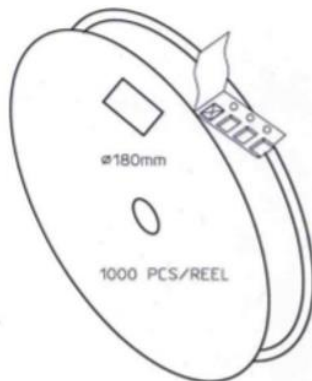
Description: 2.4-2.5/5.15-7.125GHz Dual band
Ceramic 10x3.2x1.5mm

PART NUMBER: W3006

Series: Chip Antenna

PACKAGING

- 1000pcs antennas per 7" reel
- 3pcs 7" reel per inner package box
- 2pcs inner box per out box
- Total 6000pcs antenna per out box
- Out box size: 390mmx215mmx165mm



LEVEL

NOT MOISTURE SENSITIVE

1

These Devices do not require special storage conditions provided:

1. They are maintained at conditions equal to or less than 30°C and 85% RH.
2. They are solder reflowed at a peak body temperature which does not exceed 260°C.

Note: Level and body temperature defined by IPC/JEDEC J-STD-020

Looking for pricing, stock, or lifecycle information?

Click below to explore more details on WIN SOURCE:

 [View W3006 on WIN SOURCE](#)

 [Pulse Information](#)

Optimize Your Supply Chain with WIN SOURCE Solutions

-  Global Sourcing Solution
-  Obsolete Management
-  Cost Control Management
-  Shortage Management
-  Alternative Solution
-  Excess Inventory Management