



**THE DATASHEET OF  
9ZX21901CKLF**



# 19-Output Differential Zbuffer for PCIe Gen2/3 and QPI

9ZX21901C

## Description

The 9ZX21901 is Intel DB1900Z Differential Buffer suitable for PCI-Express Gen3 or QPI applications. The part is backwards compatible to PCIe Gen1 and Gen2. A fixed external feedback maintains low drift for critical QPI applications. In bypass mode, the 9ZX21901 can provide outputs up to 400MHz.

## Recommended Application

19 output PCIe Gen3/QPI buffer with fixed feedback for Romley platforms

## Output Features

- 19 - 0.7V current mode differential HCSL output pairs

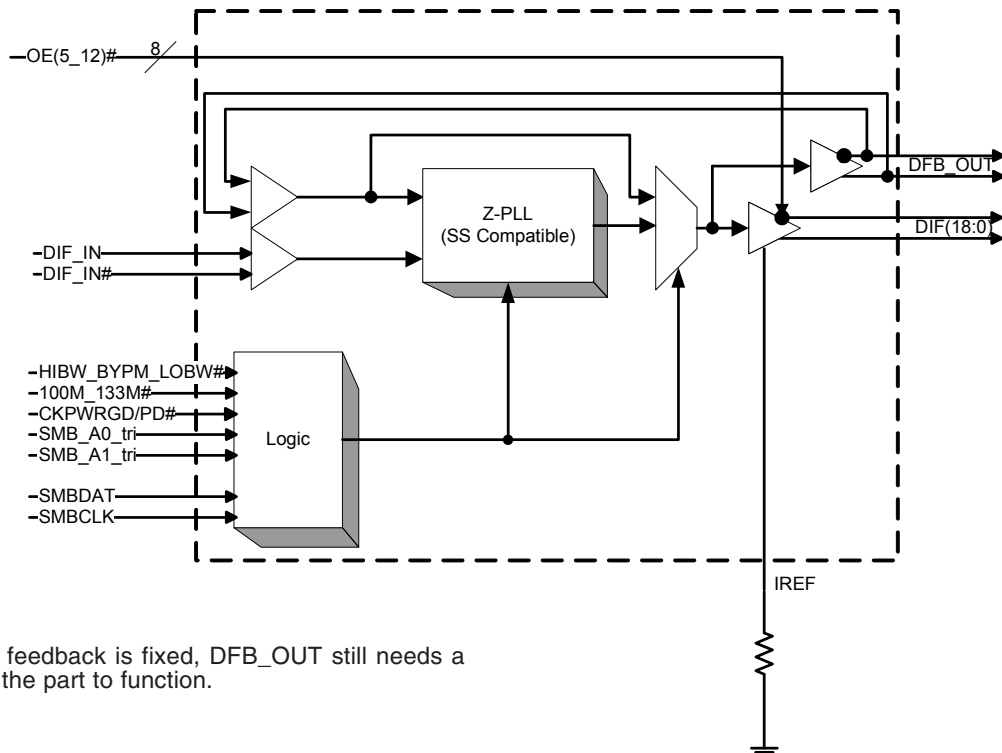
## Features/Benefits

- Fixed feedback path/ 0ps input-to-output delay
- 9 Selectable SMBus addresses/ Multiple devices can share same SMBus segment
- 8 dedicated OE# pins/ hardware control of outputs
- PLL or bypass mode/ PLL can dejitter incoming clock
- Selectable PLL BW/ minimizes jitter peaking in downstream PLL's
- Spread spectrum compatible/tracks spreading input clock for EMI reduction
- SMBus Interface/ unused outputs can be disabled
- 100MHz & 133.33MHz PLL mode/ Legacy QPI support
- Undriven differential outputs in Power Down mode for maximum power savings

## Key Specifications

- Cycle-to-cycle jitter: < 50ps
- Output-to-output skew: <65ps
- Input-to-output delay: Fixed at 0 ps
- Input-to-output delay variation: <50ps
- Phase jitter: PCIe Gen3 < 1ps rms
- Phase jitter: QPI 9.6GB/s < 0.2ps rms

## Functional Block Diagram



**Note:** Even though the feedback is fixed, DFB\_OUT still needs a termination network for the part to function.



## Pin Description

PIN #	PIN NAME	PIN TYPE	DESCRIPTION
1	VDDA	PWR	3.3V power for the PLL core.
2	GNDA	PWR	Ground pin for the PLL core.
3	IREF	OUT	This pin establishes the reference for the differential current-mode output pairs. It requires a fixed precision resistor to ground. 475ohm is the standard value for 100ohm differential impedance. Other impedances require different values. See data sheet.
4	100M_133M#	IN	Input to select operating frequency 1 = 100MHz, 0 = 133.33MHz
5	HIBW_BYPM_LOBW#	IN	Trilevel input to select High BW, Bypass or Low BW mode. See PLL Operating Mode Table for Details.
6	CKPWRGD_PD#	IN	Notifies device to sample latched inputs and start up on first high assertion, or exit Power Down Mode on subsequent assertions. Low enters Power Down Mode.
7	GND	PWR	Ground pin.
8	VDDR	PWR	3.3V power for differential input clock (receiver). This VDD should be treated as an analog power rail and filtered appropriately.
9	DIF_IN	IN	0.7 V Differential TRUE input
10	DIF_IN#	IN	0.7 V Differential Complementary Input
11	SMB_A0_tri	IN	SMBus address bit. This is a tri-level input that works in conjunction with the SMB_A1 to decode 1 of 9 SMBus Addresses.
12	SMBDAT	I/O	Data pin of SMBUS circuitry, 5V tolerant
13	SMBCLK	IN	Clock pin of SMBUS circuitry, 5V tolerant
14	SMB_A1_tri	IN	SMBus address bit. This is a tri-level input that works in conjunction with the SMB_A0 to decode 1 of 9 SMBus Addresses.
15	NC	N/A	No Connection.
16	NC	N/A	No Connection.
17	DFB_OUT#	OUT	Complementary half of differential feedback output, provides feedback signal to the PLL for synchronization with input clock to eliminate phase error.
18	DFB_OUT	OUT	True half of differential feedback output, provides feedback signal to the PLL for synchronization with the input clock to eliminate phase error.
19	DIF_0	OUT	0.7V differential true clock output
20	DIF_0#	OUT	0.7V differential Complementary clock output
21	VDD	PWR	Power supply, nominal 3.3V
22	DIF_1	OUT	0.7V differential true clock output
23	DIF_1#	OUT	0.7V differential Complementary clock output
24	DIF_2	OUT	0.7V differential true clock output
25	DIF_2#	OUT	0.7V differential Complementary clock output
26	GND	PWR	Ground pin.
27	DIF_3	OUT	0.7V differential true clock output
28	DIF_3#	OUT	0.7V differential Complementary clock output
29	DIF_4	OUT	0.7V differential true clock output
30	DIF_4#	OUT	0.7V differential Complementary clock output
31	VDD	PWR	Power supply, nominal 3.3V
32	DIF_5	OUT	0.7V differential true clock output
33	DIF_5#	OUT	0.7V differential Complementary clock output
34	OE5#	IN	Active low input for enabling DIF pair 5. 1 =disable outputs, 0 = enable outputs
35	DIF_6	OUT	0.7V differential true clock output
36	DIF_6#	OUT	0.7V differential Complementary clock output

## Pin Description (continued)

PIN #	PIN NAME	PIN TYPE	DESCRIPTION
37	OE6#	IN	Active low input for enabling DIF pair 6. 1 =disable outputs, 0 = enable outputs
38	DIF_7	OUT	0.7V differential true clock output
39	DIF_7#	OUT	0.7V differential Complementary clock output
40	OE7#	IN	Active low input for enabling DIF pair 7. 1 =disable outputs, 0 = enable outputs
41	DIF_8	OUT	0.7V differential true clock output
42	DIF_8#	OUT	0.7V differential Complementary clock output
43	OE8#	IN	Active low input for enabling DIF pair 8. 1 =disable outputs, 0 = enable outputs
44	GND	PWR	Ground pin.
45	VDD	PWR	Power supply, nominal 3.3V
46	DIF_9	OUT	0.7V differential true clock output
47	DIF_9#	OUT	0.7V differential Complementary clock output
48	OE9#	IN	Active low input for enabling DIF pair 9. 1 =disable outputs, 0 = enable outputs
49	DIF_10	OUT	0.7V differential true clock output
50	DIF_10#	OUT	0.7V differential Complementary clock output
51	OE10#	IN	Active low input for enabling DIF pair 10. 1 =disable outputs, 0 = enable outputs
52	DIF_11	OUT	0.7V differential true clock output
53	DIF_11#	OUT	0.7V differential Complementary clock output
54	OE11#	IN	Active low input for enabling DIF pair 11. 1 =disable outputs, 0 = enable outputs
55	DIF_12	OUT	0.7V differential true clock output
56	DIF_12#	OUT	0.7V differential Complementary clock output
57	OE12#	IN	Active low input for enabling DIF pair 12. 1 =disable outputs, 0 = enable outputs
58	VDD	PWR	Power supply, nominal 3.3V
59	DIF_13	OUT	0.7V differential true clock output
60	DIF_13#	OUT	0.7V differential Complementary clock output
61	DIF_14	OUT	0.7V differential true clock output
62	DIF_14#	OUT	0.7V differential Complementary clock output
63	GND	PWR	Ground pin.
64	DIF_15	OUT	0.7V differential true clock output
65	DIF_15#	OUT	0.7V differential Complementary clock output
66	DIF_16	OUT	0.7V differential true clock output
67	DIF_16#	OUT	0.7V differential Complementary clock output
68	VDD	PWR	Power supply, nominal 3.3V
69	DIF_17	OUT	0.7V differential true clock output
70	DIF_17#	OUT	0.7V differential Complementary clock output
71	DIF_18	OUT	0.7V differential true clock output
72	DIF_18#	OUT	0.7V differential Complementary clock output

**Electrical Characteristics - Absolute Maximum Ratings**

PARAMETER	SYMBOL	CONDITIONS	MIN	TYP	MAX	UNITS	NOTES
3.3V Core Supply Voltage	VDDA				4.6	V	1,2
3.3V Logic Supply Voltage	VDD				4.6	V	1,2
Input Low Voltage	V <sub>IL</sub>		GND-0.5			V	1
Input High Voltage	V <sub>IH</sub>	Except for SMBus interface			V <sub>DD</sub> +0.5V	V	1
Input High Voltage	V <sub>IHSMB</sub>	SMBus clock and data pins			5.5V	V	1
Storage Temperature	T <sub>s</sub>		-65		150	°C	1
Junction Temperature	T <sub>j</sub>				125	°C	1
Case Temperature	T <sub>c</sub>				110	°C	1
Input ESD protection	ESD prot	Human Body Model	2000			V	1

<sup>1</sup>Guaranteed by design and characterization, not 100% tested in production.

<sup>2</sup>Operation under these conditions is neither implied nor guaranteed.

**Electrical Characteristics - Input/Supply/Common Parameters**

TA = T<sub>COM</sub>; Supply Voltage VDD/VDDA = 3.3 V +/-5%, See Test Loads for Loading Conditions

PARAMETER	SYMBOL	CONDITIONS	MIN	TYP	MAX	UNITS	NOTES
Ambient Operating Temperature	T <sub>COM</sub>	Commercial range	0		70	°C	1
Input High Voltage	V <sub>IH</sub>	Single-ended inputs, except SMBus, low threshold and tri-level inputs	2		V <sub>DD</sub> + 0.3	V	1
Input Low Voltage	V <sub>IL</sub>	Single-ended inputs, except SMBus, low threshold and tri-level inputs	GND - 0.3		0.8	V	1
Input Current	I <sub>IN</sub>	Single-ended inputs, V <sub>IN</sub> = GND, V <sub>IN</sub> = VDD	-5		5	uA	1
	I <sub>INP</sub>	Single-ended inputs V <sub>IN</sub> = 0 V; Inputs with internal pull-up resistors V <sub>IN</sub> = VDD; Inputs with internal pull-down resistors	-200		200	uA	1
Input Frequency	F <sub>ibyp</sub>	V <sub>DD</sub> = 3.3 V, Bypass mode	33		400	MHz	2
	F <sub>ipll</sub>	V <sub>DD</sub> = 3.3 V, 100MHz PLL mode	90	100.00	105	MHz	2
	F <sub>ipll</sub>	V <sub>DD</sub> = 3.3 V, 133.33MHz PLL mode	120	133.33	140	MHz	2
Pin Inductance	L <sub>pin</sub>				7	nH	1
Capacitance	C <sub>IN</sub>	Logic Inputs, except DIF_IN	1.5		5	pF	1
	C <sub>INDIF_IN</sub>	DIF_IN differential clock inputs	1.5		2.7	pF	1,4
	C <sub>OUT</sub>	Output pin capacitance			6	pF	1
Clk Stabilization	T <sub>STAB</sub>	From V <sub>DD</sub> Power-Up and after input clock stabilization or de-assertion of PD# to 1st clock			1.8	ms	1,2
Input SS Modulation Frequency	f <sub>MODIN</sub>	Allowable Frequency (Triangular Modulation)	30		33	kHz	1
OE# Latency	t <sub>LATOE#</sub>	DIF start after OE# assertion DIF stop after OE# deassertion	1		3	cycles	1,3
Tdrive_PD#	t <sub>DRVPD</sub>	DIF output enable after PD# de-assertion			300	us	1,3
Tfall	t <sub>F</sub>	Fall time of control inputs			5	ns	1,2
Trise	t <sub>R</sub>	Rise time of control inputs			5	ns	1,2
SMBus Input Low Voltage	V <sub>ILSMB</sub>				0.8	V	1
SMBus Input High Voltage	V <sub>IHSMB</sub>		2.1		V <sub>DD</sub> SMB	V	1
SMBus Output Low Voltage	V <sub>OLSMB</sub>	@ I <sub>PULLUP</sub>			0.4	V	1
SMBus Sink Current	I <sub>PULLUP</sub>	@ V <sub>OL</sub>	4			mA	1
Nominal Bus Voltage	V <sub>DD</sub> SMB	3V to 5V +/- 10%	2.7		5.5	V	1
SCLK/SDATA Rise Time	t <sub>RSMB</sub>	(Max V <sub>IL</sub> - 0.15) to (Min V <sub>IH</sub> + 0.15)			1000	ns	1
SCLK/SDATA Fall Time	t <sub>FSMB</sub>	(Min V <sub>IH</sub> + 0.15) to (Max V <sub>IL</sub> - 0.15)			300	ns	1
SMBus Operating Frequency	f <sub>MAXSMB</sub>	Maximum SMBus operating frequency			100	kHz	1,5

<sup>1</sup>Guaranteed by design and characterization, not 100% tested in production.

<sup>2</sup>Control input must be monotonic from 20% to 80% of input swing.

<sup>3</sup>Time from deassertion until outputs are >200 mV

<sup>4</sup>DIF\_IN input

<sup>5</sup>The differential input clock must be running for the SMBus to be active

**Electrical Characteristics - Clock Input Parameters**TA = T<sub>COM</sub>; Supply Voltage VDD/VDDA = 3.3 V +/-5%, See Test Loads for Loading Conditions

PARAMETER	SYMBOL	CONDITIONS	MIN	TYP	MAX	UNITS	NOTES
Input High Voltage - DIF_IN	V <sub>IHDIF</sub>	Differential inputs (single-ended measurement)	600	750	1150	mV	1
Input Low Voltage - DIF_IN	V <sub>ILDIF</sub>	Differential inputs (single-ended measurement)	V <sub>SS</sub> - 300	0	300	mV	1
Input Common Mode Voltage - DIF_IN	V <sub>COM</sub>	Common Mode Input Voltage	300		1000	mV	1
Input Amplitude - DIF_IN	V <sub>SWING</sub>	Peak to Peak value	300		1450	mV	1
Input Slew Rate - DIF_IN	dv/dt	Measured differentially	0.4		8	V/ns	1,2
Input Leakage Current	I <sub>IN</sub>	V <sub>IN</sub> = V <sub>DD</sub> , V <sub>IN</sub> = GND	-5		5	uA	1
Input Duty Cycle	d <sub>tin</sub>	Measurement from differential waveform	45		55	%	1
Input Jitter - Cycle to Cycle	J <sub>DIFIn</sub>	Differential Measurement	0		125	ps	1

<sup>1</sup> Guaranteed by design and characterization, not 100% tested in production.<sup>2</sup> Slew rate measured through +/-75mV window centered around differential zero**Electrical Characteristics - DIF 0.7V Current Mode Differential Outputs**TA = T<sub>COM</sub>; Supply Voltage VDD/VDDA = 3.3 V +/-5%, See Test Loads for Loading Conditions

PARAMETER	SYMBOL	CONDITIONS	MIN	TYP	MAX	UNITS	NOTES
Slew rate	dV/dt	Scope averaging on	1	2.5	4	V/ns	1, 2, 3
Slew rate matching	ΔdV/dt	Slew rate matching, Scope averaging on			20	%	1, 2, 4
Rise/Fall Time Matching	Trf	Rise/fall matching, Scope averaging off			125	ps	1, 7, 8
Voltage High	V <sub>High</sub>	Statistical measurement on single-ended signal using oscilloscope math function. (Scope averaging on)	660	750	850	mV	1
Voltage Low	V <sub>Low</sub>		-150		150		1
Max Voltage	V <sub>max</sub>	Measurement on single ended signal using absolute value. (Scope averaging off)			1150	mV	1
Min Voltage	V <sub>min</sub>		-300				1
Vswing	V <sub>swing</sub>	Scope averaging off	300			mV	1, 2
Crossing Voltage (abs)	V <sub>cross_abs</sub>	Scope averaging off	250		550	mV	1, 5
Crossing Voltage (var)	ΔV <sub>cross</sub>	Scope averaging off			140	mV	1, 6

<sup>1</sup> Guaranteed by design and characterization, not 100% tested in production. I<sub>REF</sub> = VDD/(3xR<sub>R</sub>). For R<sub>R</sub> = 475Ω (1%), I<sub>REF</sub> = 2.32mA.I<sub>OH</sub> = 6 x I<sub>REF</sub> and V<sub>OH</sub> = 0.7V @ Z<sub>O</sub>=50Ω (100Ω differential impedance).<sup>2</sup> Measured from differential waveform<sup>3</sup> Slew rate is measured through the V<sub>swing</sub> voltage range centered around differential 0V. This results in a +/-150mV window around differential 0V.<sup>4</sup> Matching applies to rising edge rate for Clock and falling edge rate for Clock#. It is measured using a +/-75mV window centered on the average cross point where Clock rising meets Clock# falling. The median cross point is used to calculate the voltage thresholds the oscilloscope is to use for the edge rate calculations.<sup>5</sup> V<sub>cross</sub> is defined as voltage where Clock = Clock# measured on a component test board and only applies to the differential rising edge (i.e. Clock rising and Clock# falling).<sup>6</sup> The total variation of all V<sub>cross</sub> measurements in any particular system. Note that this is a subset of V<sub>cross\_min</sub>/max (V<sub>cross</sub> absolute) allowed. The intent is to limit V<sub>cross</sub> induced modulation by setting V<sub>cross\_delta</sub> to be smaller than V<sub>cross</sub> absolute.<sup>7</sup> Measured from single-ended waveform<sup>8</sup> Measured with scope averaging off, using statistics function. Variation is difference between min and max.**Electrical Characteristics - Current Consumption**TA = T<sub>COM</sub>; Supply Voltage VDD/VDDA = 3.3 V +/-5%, See Test Loads for Loading Conditions

PARAMETER	SYMBOL	CONDITIONS	MIN	TYP	MAX	UNITS	NOTES
Operating Supply Current	I <sub>DD3.30P</sub>	All outputs active @100MHz, C <sub>L</sub> = Full load;		407	500	mA	1
Powerdown Current	I <sub>DD3.3PDZ</sub>	All differential pairs tri-stated		12	36	mA	1

<sup>1</sup> Guaranteed by design and characterization, not 100% tested in production.

## Electrical Characteristics - Skew and Differential Jitter Parameters

TA = T<sub>COM</sub>; Supply Voltage VDD/VDDA = 3.3 V +/-5%, See Test Loads for Loading Conditions

PARAMETER	SYMBOL	CONDITIONS	MIN	TYP	MAX	UNITS	NOTES
CLK_IN, DIF[x:0]	t <sub>SPO_PLL</sub>	Input-to-Output Skew in PLL mode nominal value @ 25°C, 3.3V	-100	0	100	ps	1,2,4,5,8
CLK_IN, DIF[x:0]	t <sub>PD_BYP</sub>	Input-to-Output Skew in Bypass mode nominal value @ 25°C, 3.3V	2.5	3.5	4.5	ns	1,2,3,5,8
CLK_IN, DIF[x:0]	t <sub>DSPO_PLL</sub>	Input-to-Output Skew Variation in PLL mode across voltage and temperature	-50	0	50	ps	1,2,3,5,8
CLK_IN, DIF[x:0]	t <sub>DSPO_BYP</sub>	Input-to-Output Skew Variation in Bypass mode across voltage and temperature	-250		250	ps	1,2,3,5,8
CLK_IN, DIF[x:0]	t <sub>DTE</sub>	Random Differential Tracking error between two 9ZX devices in Hi BW Mode		3	5	ps (rms)	1,2,3,5,8
CLK_IN, DIF[x:0]	t <sub>DSSTE</sub>	Random Differential Spread Spectrum Tracking error between two 9ZX devices in Hi BW Mode		15	75	ps	1,2,3,5,8
DIF[x:0]	t <sub>SKEW_ALL</sub>	Output-to-Output Skew across all outputs (Common to Bypass and PLL mode)		37	65	ps	1,2,3,8
PLL Jitter Peaking	j <sub>peak-hibw</sub>	LOBW#_BYPASS_HIBW = 1	0	1.3	2.5	dB	7,8
PLL Jitter Peaking	j <sub>peak-lobw</sub>	LOBW#_BYPASS_HIBW = 0	0	0.8	2	dB	7,8
PLL Bandwidth	pll <sub>HIBW</sub>	LOBW#_BYPASS_HIBW = 1	2	3	4	MHz	8,9
PLL Bandwidth	pll <sub>LOBW</sub>	LOBW#_BYPASS_HIBW = 0	0.7	1.1	1.4	MHz	8,9
Duty Cycle	t <sub>DC</sub>	Measured differentially, PLL Mode	45	50	55	%	1
Duty Cycle Distortion	t <sub>DCD</sub>	Measured differentially, Bypass Mode @ 100MHz	-2	0	2	%	1,10
Jitter, Cycle to cycle	t <sub>jyc-cyc</sub>	PLL mode		41	50	ps	1,11
		Additive Jitter in Bypass Mode		20	50	ps	1,11

### Notes for preceding table:

- <sup>1</sup> Measured into fixed 2 pF load cap. Input to output skew is measured at the first output edge following the corresponding input.
- <sup>2</sup> Measured from differential cross-point to differential cross-point. This parameter can be tuned with external feedback path, if present.
- <sup>3</sup> All Bypass Mode Input-to-Output specs refer to the timing between an input edge and the specific output edge created by it.
- <sup>4</sup> This parameter is deterministic for a given device
- <sup>5</sup> Measured with scope averaging on to find mean value. DIF\_IN slew rate must be matched to DIF output slew rate.
- <sup>6</sup> t is the period of the input clock
- <sup>7</sup> Measured as maximum pass band gain. At frequencies within the loop BW, highest point of magnification is called PLL jitter peaking.
- <sup>8</sup> Guaranteed by design and characterization, not 100% tested in production.
- <sup>9</sup> Measured at 3 db down or half power point.
- <sup>10</sup> Duty cycle distortion is the difference in duty cycle between the output and the input clock when the device is operated in bypass mode.
- <sup>11</sup> Measured from differential waveform

**Electrical Characteristics - Phase Jitter Parameters**

TA = T<sub>COM</sub>; Supply Voltage VDD/VDDA = 3.3 V +/-5%, See Test Loads for Loading Conditions

PARAMETER	SYMBOL	CONDITIONS	MIN	TYP	MAX	UNITS	Notes
Jitter, Phase	t <sub>jphPCIeG1</sub>	PCIe Gen 1		39	86	ps (p-p)	1,2,3
	t <sub>jphPCIeG2</sub>	PCIe Gen 2 Lo Band 10kHz < f < 1.5MHz		1.1	3	ps (rms)	1,2
		PCIe Gen 2 High Band 1.5MHz < f < Nyquist (50MHz)		2.6	3.1	ps (rms)	1,2
	t <sub>jphPCIeG3</sub>	PCIe Gen 3 (PLL BW of 2-4MHz, CDR = 10MHz)		0.6	1	ps (rms)	1,2,4
	t <sub>jphQPI_SMI</sub>	QPI & SMI (100MHz or 133MHz, 4.8Gb/s, 6.4Gb/s 12UI)		0.36	0.5	ps (rms)	1,5
		QPI & SMI (100MHz, 8.0Gb/s, 12UI)		0.23	0.3	ps (rms)	1,5
		QPI & SMI (100MHz, 9.6Gb/s, 12UI)		0.18	0.2	ps (rms)	1,5
Additive Phase Jitter, Bypass mode	t <sub>jphPCIeG1</sub>	PCIe Gen 1		4	10	ps (p-p)	1,2,3
	t <sub>jphPCIeG2</sub>	PCIe Gen 2 Lo Band 10kHz < f < 1.5MHz		0.25	0.3	ps (rms)	1,2,6
		PCIe Gen 2 High Band 1.5MHz < f < Nyquist (50MHz)		0.57	0.7	ps (rms)	1,2,6
	t <sub>jphPCIeG3</sub>	PCIe Gen 3 (PLL BW of 2-4MHz, CDR = 10MHz)		0.20	0.3	ps (rms)	1,2,4,6
	t <sub>jphQPI_SMI</sub>	QPI & SMI (100MHz or 133MHz, 4.8Gb/s, 6.4Gb/s 12UI)		0.22	0.3	ps (rms)	1,5,6
		QPI & SMI (100MHz, 8.0Gb/s, 12UI)		0.08	0.1	ps (rms)	1,5,6
		QPI & SMI (100MHz, 9.6Gb/s, 12UI)		0.08	0.1	ps (rms)	1,5,6

<sup>1</sup> Applies to all outputs.

<sup>2</sup> See <http://www.pcisig.com> for complete specs

<sup>3</sup> Sample size of at least 100K cycles. This figures extrapolates to 108ps pk-pk @ 1M cycles for a BER of 1-12.

<sup>4</sup> Subject to final radification by PCI SIG.

<sup>5</sup> Calculated from Intel-supplied Clock Jitter Tool v 1.6.3

<sup>6</sup> For RMS figures, additive jitter is calculated by solving the following equation: (Additive jitter)<sup>2</sup> = (total jitter)<sup>2</sup> - (input jitter)<sup>2</sup>

**Power Management Table**

Inputs		Control Bits/Pins				Outputs	PLL State
CKPWRGD_PD#	DIF_IN/ DIF_IN#	SMBus EN bit	OE# Pin	DIF(5:12)/ DIF(5:12)#	Other DIF/ DIF#	DFB_OUT/ DFB_OUT#	
0	X	X	X	Hi-Z <sup>1</sup>	Hi-Z <sup>1</sup>	Hi-Z <sup>1</sup>	OFF
1	Running	0	X	Hi-Z <sup>1</sup>	Hi-Z <sup>1</sup>	Running	ON
		1	0	Running	Running	Running	ON
		1	1	Hi-Z <sup>1</sup>	Running	Running	ON

**NOTE:**

1. Due to external pull down resistors, HI-Z results in Low/Low on the True/Complement outputs

**Clock Periods - Differential Outputs with Spread Spectrum Disabled**

SSC OFF	Center Freq. MHz	Measurement Window							Units	Notes
		1 Clock	1us	0.1s	0.1s	0.1s	1us	1 Clock		
		-c2c jitter AbsPer Min	-SSC Short-Term Average Min	- ppm Long-Term Average Min	0 ppm Period Nominal	+ ppm Long-Term Average Max	+SSC Short-Term Average Max	+c2c jitter AbsPer Max		
DIF	100.00	9.94900		9.99900	10.00000	10.00100		10.05100	ns	1,2,3
	133.33	7.44925		7.49925	7.50000	7.50075		7.55075	ns	1,2,4

**Clock Periods - Differential Outputs with Spread Spectrum Enabled**

SSC ON	Center Freq. MHz	Measurement Window							Units	Notes
		1 Clock	1us	0.1s	0.1s	0.1s	1us	1 Clock		
		-c2c jitter AbsPer Min	-SSC Short-Term Average Min	- ppm Long-Term Average Min	0 ppm Period Nominal	+ ppm Long-Term Average Max	+SSC Short-Term Average Max	+c2c jitter AbsPer Max		
DIF	99.75	9.94906	9.99906	10.02406	10.02506	10.02607	10.05107	10.10107	ns	1,2,3
	133.00	7.44930	7.49930	7.51805	7.51880	7.51955	7.53830	7.58830	ns	1,2,4

**Notes:**

- <sup>1</sup>Guaranteed by design and characterization, not 100% tested in production.
- <sup>2</sup>All Long Term Accuracy specifications are guaranteed with the assumption that the input clock complies with CK420BQ/CK410B+ accuracy requirements (+/-100ppm). The 9ZX21901 itself does not contribute to ppm error.
- <sup>3</sup> Driven by SRC output of main clock, 100 MHz PLL Mode or Bypass mode
- <sup>4</sup> Driven by CPU output of main clock, 133 MHz PLL Mode or Bypass mode

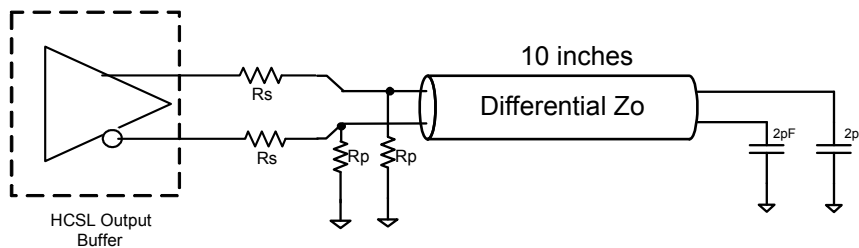
**Thermal Characteristics**

Parameter	Symbol	Conditions	Min.	Typ.	Max.	Units
Thermal Resistance Junction to Ambient	$\theta_{JA}$	Still air		26.2		°C/W
	$\theta_{JA}$	1 m/s air flow		23.1		°C/W
	$\theta_{JA}$	3 m/s air flow		19.6		°C/W
Thermal Resistance Junction to Case	$\theta_{JC}$			10.4		°C/W
Thermal Resistance Junction to Board	$\theta_{JB}$			0.3		°C/W

**Differential Output Termination Table**

DIF Zo ( $\Omega$ )	Iref ( $\Omega$ )	Rs ( $\Omega$ )	Rp ( $\Omega$ )
100	475	33	50
85	412	27	43.2

9ZX21901 Differential Test Loads



## General SMBus serial interface information for the 9ZX21901C (See also 9ZX21901 SMBus Addressing on page 2)

### How to Write:

- Controller (host) sends a start bit.
- Controller (host) sends the write address  $XX_{(H)}$
- IDT clock will **acknowledge**
- Controller (host) sends the beginning byte location = N
- IDT clock will **acknowledge**
- Controller (host) sends the data byte count = X
- IDT clock will **acknowledge**
- Controller (host) starts sending **Byte N through Byte N + X - 1**
- IDT clock will **acknowledge** each byte **one at a time**
- Controller (host) sends a Stop bit

### How to Read:

- Controller (host) will send start bit.
- Controller (host) sends the write address  $XX_{(H)}$
- IDT clock will **acknowledge**
- Controller (host) sends the beginning byte location = N
- IDT clock will **acknowledge**
- Controller (host) will send a separate start bit.
- Controller (host) sends the read address  $YY_{(H)}$
- IDT clock will **acknowledge**
- IDT clock will send the data byte count = X
- IDT clock sends **Byte N + X - 1**
- IDT clock sends **Byte 0 through byte X (if  $X_{(H)}$  was written to byte 8).**
- Controller (host) will need to acknowledge each byte
- Controller (host) will send a not acknowledge bit
- Controller (host) will send a stop bit

Index Block Write Operation		
Controller (Host)		IDT (Slave/Receiver)
T	starT bit	
Slave Address $XX_{(H)}$		
WR	WRite	
		ACK
Beginning Byte = N		
		ACK
Data Byte Count = X		
		ACK
Beginning Byte N	X Byte	
◇		ACK
◇		◇
◇		◇
Byte N + X - 1		◇
		ACK
P	stoP bit	

Note:  $XX_{(H)}$  is defined by SMBus address select pins.

Index Block Read Operation		
Controller (Host)		IDT (Slave/Receiver)
T	starT bit	
Slave Address $XX_{(H)}$		
WR	WRite	
		ACK
Beginning Byte = N		
		ACK
RT	Repeat starT	
Slave Address $YY_{(H)}$		
RD	ReaD	
		ACK
		Data Byte Count = X
ACK		
		Beginning Byte N
ACK		
◇		◇
◇		◇
◇		◇
		Byte N + X - 1
N	Not acknowledge	
P	stoP bit	

SMBusTable: PLL Mode, and Frequency Select Register

Byte 0	Pin #	Name	Control Function	Type	0	1	Default
Bit 7	5	PLL Mode 1	PLL Operating Mode Rd back 1	R	See PLL Operating Mode Readback Table		Latch
Bit 6	5	PLL Mode 0	PLL Operating Mode Rd back 0	R			Latch
Bit 5	72/71	DIF_18_En	Output Control overrides OE# pin	RW	Hi-Z	Enable	1
Bit 4	70/69	DIF_17_En	Output Control overrides OE# pin	RW	Hi-Z	Enable	1
Bit 3	67/66	DIF_16_En	Output Control overrides OE# pin	RW	Hi-Z	Enable	1
Bit 2		Reserved					0
Bit 1		Reserved					0
Bit 0	4	100M_133M#	Frequency Select Readback	R	133MHz	100MHz	Latch

SMBusTable: Output Control Register

Byte 1	Pin #	Name	Control Function	Type	0	1	Default
Bit 7	39/38	DIF_7_En	Output Control overrides OE# pin	RW	Hi-Z	Enable	1
Bit 6	35/36	DIF_6_En	Output Control overrides OE# pin	RW			1
Bit 5	32/33	DIF_5_En	Output Control overrides OE# pin	RW			1
Bit 4	29/30	DIF_4_En	Output Control overrides OE# pin	RW			1
Bit 3	27/28	DIF_3_En	Output Control overrides OE# pin	RW			1
Bit 2	24/25	DIF_2_En	Output Control overrides OE# pin	RW			1
Bit 1	22/23	DIF_1_En	Output Control overrides OE# pin	RW			1
Bit 0	19/20	DIF_0_En	Output Control overrides OE# pin	RW			1

SMBusTable: Output Control Register

Byte 2	Pin #	Name	Control Function	Type	0	1	Default
Bit 7	65/64	DIF_15_En	Output Control overrides OE# pin	RW	Hi-Z	Enable	1
Bit 6	62/61	DIF_14_En	Output Control overrides OE# pin	RW			1
Bit 5	60/59	DIF_13_En	Output Control overrides OE# pin	RW			1
Bit 4	56/55	DIF_12_En	Output Control overrides OE# pin	RW			1
Bit 3	53/52	DIF_11_En	Output Control overrides OE# pin	RW			1
Bit 2	50/49	DIF_10_En	Output Control overrides OE# pin	RW			1
Bit 1	47/46	DIF_9_En	Output Control overrides OE# pin	RW			1
Bit 0	42/41	DIF_8_En	Output Control overrides OE# pin	RW			1

SMBusTable: Output Enable Pin Status Readback Register

Byte 3	Pin #	Name	Control Function	Type	0	1	Default
Bit 7	57	OE_RB12	Real Time readback of OE#12	R	OE# pin Low	OE# Pin High	Real time
Bit 6	54	OE_RB11	Real Time readback of OE#11	R			Real time
Bit 5	51	OE_RB10	Real Time readback of OE#10	R			Real time
Bit 4	48	OE_RB9	Real Time readback of OE#9	R			Real time
Bit 3	43	OE_RB8	Real Time readback of OE#8	R			Real time
Bit 2	40	OE_RB7	Real Time readback of OE#7	R			Real time
Bit 1	37	OE_RB6	Real Time readback of OE#6	R			Real time
Bit 0	34	OE_RB5	Real Time readback of OE#5	R			Real time

SMBusTable: Reserved Register

Byte 4	Pin #	Name	Control Function	Type	0	1	Default
Bit 7			Reserved				0
Bit 6			Reserved				0
Bit 5			Reserved				0
Bit 4			Reserved				0
Bit 3			Reserved				0
Bit 2			Reserved				0
Bit 1			Reserved				0
Bit 0			Reserved				0

SMBusTable: Vendor &amp; Revision ID Register

Byte 5	Pin #	Name	Control Function	Type	0	1	Default
Bit 7	-	RID3	REVISION ID	R	B rev = 0001 C Rev = 0010		X
Bit 6	-	RID2		R			X
Bit 5	-	RID1		R			X
Bit 4	-	RID0		R			X
Bit 3	-	VID3	VENDOR ID	R	-	-	0
Bit 2	-	VID2		R	-	-	0
Bit 1	-	VID1		R	-	-	0
Bit 0	-	VID0		R	-	-	1

SMBusTable: DEVICE ID

Byte 6	Pin #	Name	Control Function	Type	0	1	Default
Bit 7	-		Device ID 7 (MSB)	R	Device ID is 219 decimal or DB hex.		1
Bit 6	-		Device ID 6	R			1
Bit 5	-		Device ID 5	R			0
Bit 4	-		Device ID 4	R			1
Bit 3	-		Device ID 3	R			1
Bit 2	-		Device ID 2	R			0
Bit 1	-		Device ID 1	R			1
Bit 0	-		Device ID 0	R			1

SMBusTable: Byte Count Register

Byte 7	Pin #	Name	Control Function	Type	0	1	Default
Bit 7			Reserved				0
Bit 6			Reserved				0
Bit 5			Reserved				0
Bit 4	-	BC4	Writing to this register configures how many bytes will be read back.	RW	Default value is 8 hex, so 9 bytes (0 to 8) will be read back by default.		0
Bit 3	-	BC3		RW			1
Bit 2	-	BC2		RW			0
Bit 1	-	BC1		RW			0
Bit 0	-	BC0		RW			0

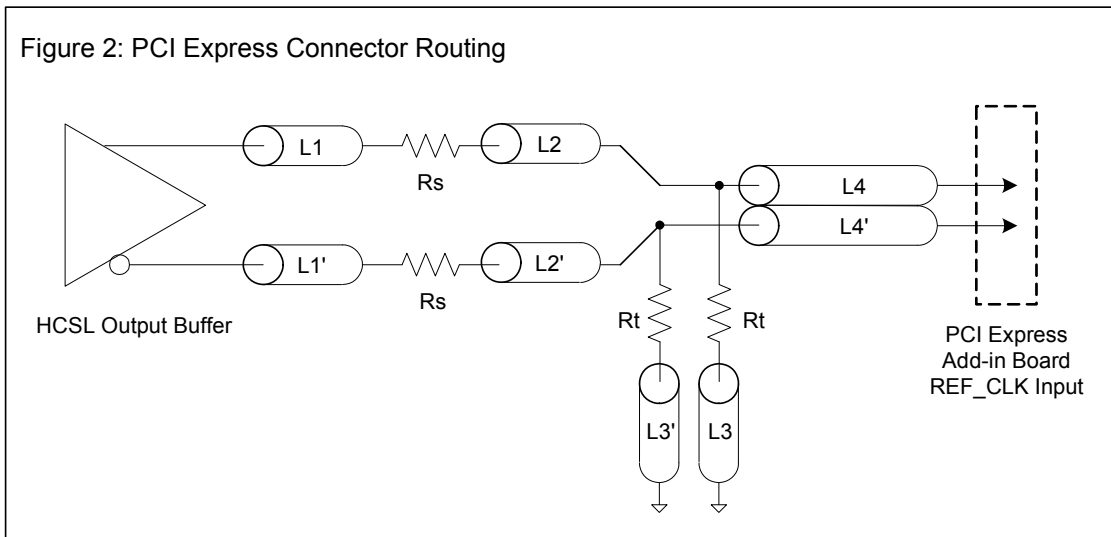
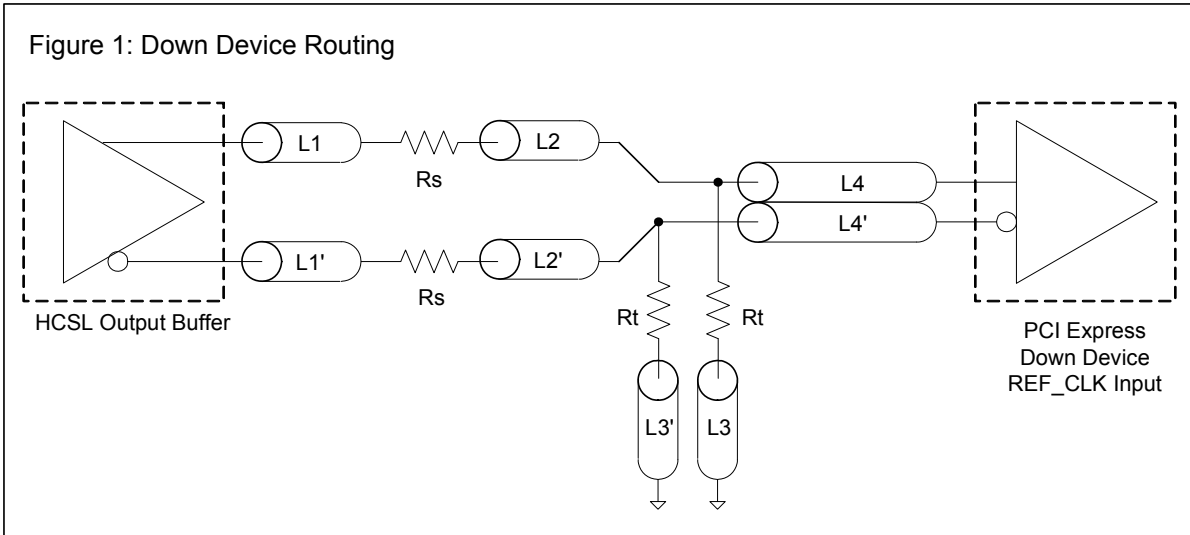
SMBusTable: Reserved Register

Byte 8	Pin #	Name	Control Function	Type	0	1	Default
Bit 7			Reserved				0
Bit 6			Reserved				0
Bit 5			Reserved				0
Bit 4			Reserved				0
Bit 3			Reserved				0
Bit 2			Reserved				0
Bit 1			Reserved				0
Bit 0			Reserved				0

DIF Reference Clock			
Common Recommendations for Differential Routing	Dimension or Value	Unit	Figure
L1 length, route as non-coupled 50ohm trace	0.5 max	inch	1
L2 length, route as non-coupled 50ohm trace	0.2 max	inch	1
L3 length, route as non-coupled 50ohm trace	0.2 max	inch	1
$R_s$	33	ohm	1
$R_t$	49.9	ohm	1

Down Device Differential Routing			
L4 length, route as coupled microstrip 100ohm differential trace	2 min to 16 max	inch	1
L4 length, route as coupled stripline 100ohm differential trace	1.8 min to 14.4 max	inch	1

Differential Routing to PCI Express Connector			
L4 length, route as coupled microstrip 100ohm differential trace	0.25 to 14 max	inch	2
L4 length, route as coupled stripline 100ohm differential trace	0.225 min to 12.6 max	inch	2

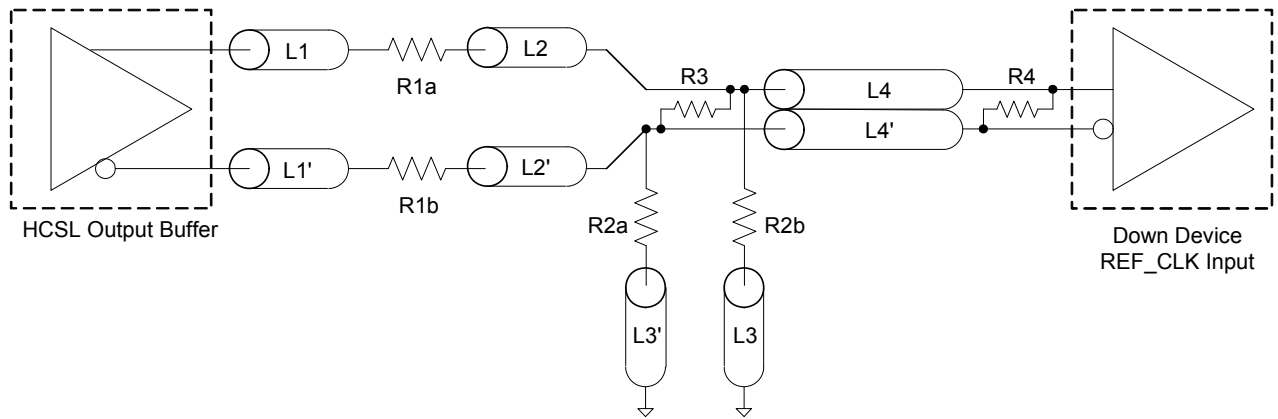


Alternative Termination for LVDS and other Common Differential Signals (figure 3)							
Vdiff	Vp-p	Vcm	R1	R2	R3	R4	Note
0.45v	0.22v	1.08	33	150	100	100	
0.58	0.28	0.6	33	78.7	137	100	
0.80	0.40	0.6	33	78.7	none	100	ICS874003i-02 input compatible
0.60	0.3	1.2	33	174	140	100	Standard LVDS

R1a = R1b = R1

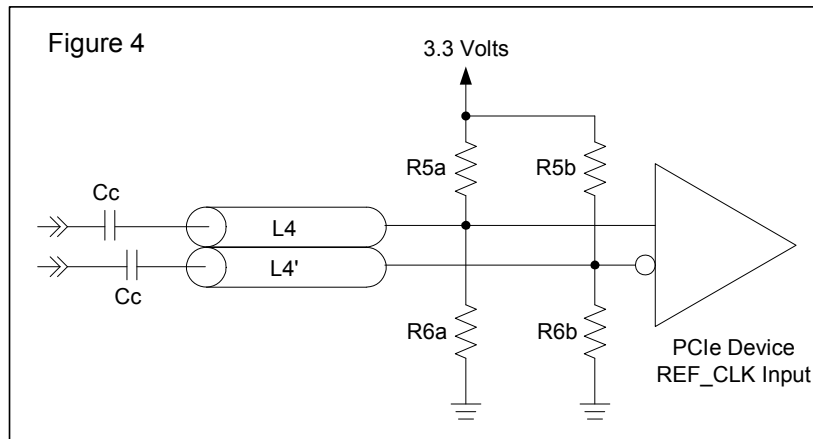
R2a = R2b = R2

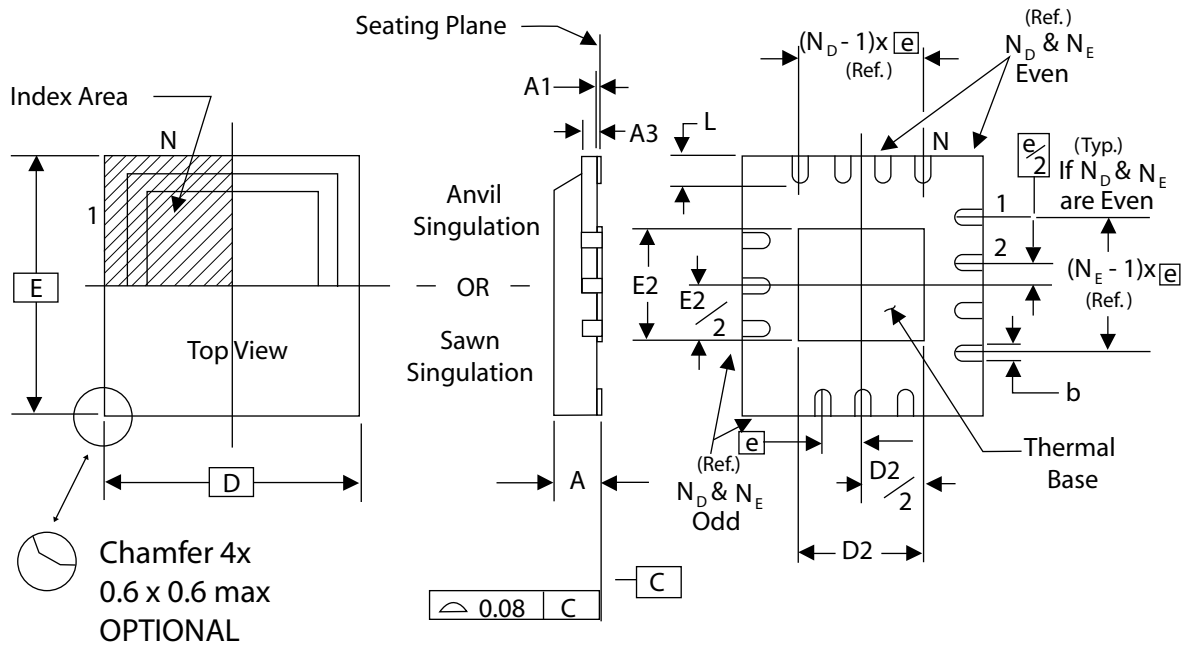
Figure 3



Cable Connected AC Coupled Application (figure 4)		
Component	Value	Note
R5a, R5b	8.2K 5%	
R6a, R6b	1K 5%	
Cc	0.1 $\mu$ F	
Vcm	0.350 volts	

Figure 4





**THERMALLY ENHANCED, VERY THIN, FINE PITCH  
 QUAD FLAT / NO LEAD PLASTIC PACKAGE**

**DIMENSIONS**

SYMBOL	72L
N	72
$N_D$	18
$N_E$	18

**DIMENSIONS (mm)**

SYMBOL	MIN.	MAX.
A	0.8	1.0
A1	0	0.05
A3	0.25 Reference	
b	0.18	0.3
e	0.50 BASIC	
D x E BASIC	10.00 x 10.00	
D2 MIN. / MAX.	5.75	6.15
E2 MIN. / MAX.	5.75	6.15
L MIN. / MAX.	0.3	0.5

**Ordering Information**

Part / Order Number	Shipping Package	Package	Temperature
9ZX21901CKLF	Trays	72-pin MLF	0 to +70°C
9ZX21901CKLFT	Tape and Reel	72-pin MLF	0 to +70°C

"LF" designates PB-free configuration, RoHS compliant.

## Revision History

Rev.	Issue Date	Who	Description	Page #
0.1	1/20/2010	RDW	Initial release	Various
A	6/10/2010	RDW	1. Corrected input clock on block diagram, updated QPI reference to 9.6GTs, added note about fixed feedback path, added comment about DFB_OUT needed termination network. 2. Reformatted electrical tables to fit new standard format 3. Added output termination/test load drawing and table 4. Released to final	1,5,6,9
B	6/22/2011	RDW	1. Merged Phase Jitter Tables into Single Table. 2. Reformatted Electrical Tables into common format for future datasheets.	8
C	8/3/2010	RDW	1. Updated front page to standard 9ZX format. 2. Clarified that SMBus Address Selection table includes the Read/Write Bit. Minor clarifications to other tables. 3. Added additive phase jitter table for bypass mode.	1-3, 5-11
D	3/2/2011	RDW	1. Added rise/fall variation spec to HCSL_Out table	6
E	5/11/2011	RDW	1. Added note to pinout indicating that the DFB_OUT pins must be terminated.	2
F	9/20/2011	RDW	1. Added "Case Temperature" to Abs Max specs. 2. Added Thermal Char data	Various
G	10/24/2011	LPL	1. Updated Thermal Characteristics table.	9
H	12/8/2011	RDW	1. Updated tDSP0_BYP parameter from +/-350 to +/-250ps.	7

Innovate with IDT and accelerate your future networks. Contact:

[www.IDT.com](http://www.IDT.com)

### For Sales

800-345-7015  
408-284-8200  
Fax: 408-284-2775

### For Tech Support

408-284-6578  
pcclockhelp@idt.com

### Corporate Headquarters

Integrated Device Technology, Inc.  
6024 Silver Creek Valley Road  
San Jose, CA 95138  
United States  
800 345 7015  
+408 284 8200 (outside U.S.)

### Asia Pacific and Japan

IDT Singapore Pte. Ltd.  
1 Kallang Sector #07-01/06  
KolamAyer Industrial Park  
Singapore 349276  
Phone: 65-6-744-3356  
Fax: 65-6-744-1764

### Europe

IDT Europe Limited  
321 Kingston Road  
Leatherhead, Surrey  
KT22 7TU  
England  
Phone: 44-1372-363339  
Fax: 44-1372-378851



## Looking for pricing, stock, or lifecycle information?

Click below to explore more details on WIN SOURCE:

- ⊖ [View 9ZX21901CKLF on WIN SOURCE](#)
- ⊖ [IDT, Integrated Device Technology Inc Information](#)

## Optimize Your Supply Chain with WIN SOURCE Solutions

- ✓ Global Sourcing Solution
- ✓ Obsolete Management
- ✓ Cost Control Management
- ✓ Shortage Management
- ✓ Alternative Solution
- ✓ Excess Inventory Management