



**THE DATASHEET OF
MASWSS0129**



GaAs Broadband DPDT Diversity Switch DC - 6.0 GHz

Rev. V6

Features

- 802.11a + b/g Dual Band Applications
- Broadband Performance: DC - 6.0 GHz
- Low Insertion Loss: 0.7 dB @ 2.4 GHz
1.0 dB @ 4.9 to 6.0 GHz
- High Isolation: 43 dB @ 2.4 GHz
30 dB @ 4.9 to 6.0 GHz
- Fast Switching Speed: 0.5 μ m GaAs PHEMT
- Lead-Free 3 mm 12-lead PQFN Package
- 100% Matte Tin Plating over Copper
- Halogen-Free "Green" Mold Compound
- 260°C Reflow Compatible
- RoHS* Compliant Version of MASWSS0094

Description

M/A-COM's MASWSS0129 is a broadband GaAs PHEMT MMIC diversity switch available in a low cost, lead-free 3 mm 12-lead PQFN package. The MASWSS0129 is ideally suited for applications where very small size and low cost are required.

Typical applications are for WLAN IEEE 802.11a and 802.11b/g systems that employ two antennas for transmit and receive diversity. Other applications include cordless phones and base stations. Designed for high power, this DPDT switch maintains high linearity up to 6.0 GHz.

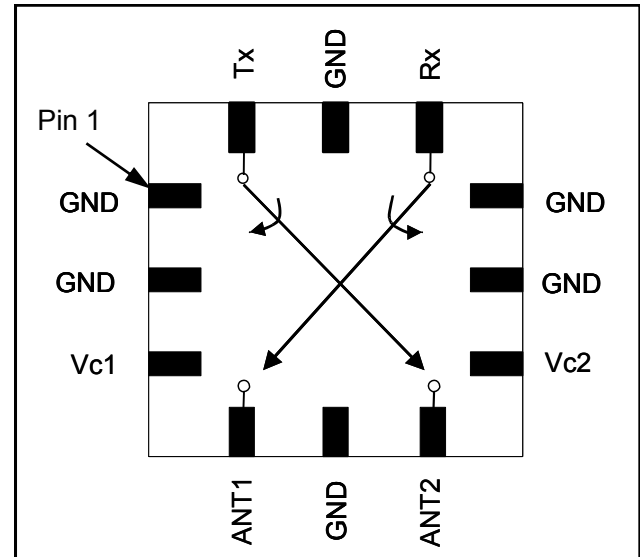
The MASWSS0129 is fabricated using a 0.5 micron gate length GaAs PHEMT process. The process features full passivation for performance and reliability.

Ordering Information ¹

| Part Number | Package |
|-------------------|---|
| MASWSS0129 | Bulk Packaging |
| MASWSS0129TR | 7 inch, 1000 piece reel |
| MASWSS0129TR-3000 | 13 inch, 3000 piece reel |
| MASWSS0129SMB | Sample Test Board (Includes 5 Samples) |

1. Reference Application Note M513 for reel size information.

Functional Schematic



Pin Configuration

| Pin No. | Pin Name | Description |
|---------|---------------------|------------------|
| 1 | GND | Ground |
| 2 | GND | Ground |
| 3 | V _{C1} | Control 1 |
| 4 | ANT1 | Antenna Port 1 |
| 5 | GND | Ground |
| 6 | ANT2 | Antenna Port 2 |
| 7 | V _{C2} | Control 2 |
| 8 | GND | Ground |
| 9 | GND | Ground |
| 10 | Rx | Receive Port |
| 11 | GND | Ground |
| 12 | Tx | Transmit Port |
| 13 | Paddle ² | RF and DC Ground |

2. The exposed pad centered on the package bottom must be connected to RF and DC ground.

* Restrictions on Hazardous Substances, European Union Directive 2002/95/EC.

GaAs Broadband DPDT Diversity Switch DC - 6.0 GHz

Rev. V6

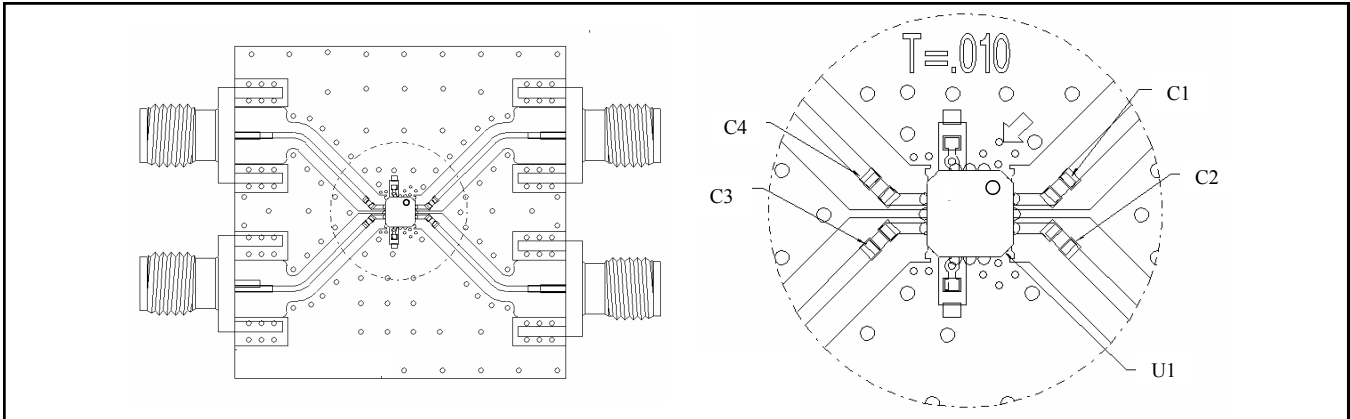
Electrical Specifications: $T_A = 25^\circ\text{C}$, $Z_0 = 50\Omega$, $V_c = 0\text{ V} / 3\text{ V}$, 8 pF Capacitor³

| Parameter | Test Conditions | Units | Min. | Typ. | Max. |
|---------------------------------|--|---------------|------|------|------|
| Insertion Loss ⁴ | 2.4 GHz | dB | — | 0.70 | 1.30 |
| | 2 - 4 GHz | dB | — | 0.75 | — |
| | 4 - 5 GHz | dB | — | 0.90 | — |
| | 4.9 - 6 GHz | dB | — | 1.00 | 1.55 |
| Isolation (on/off or off/on) | 2.4 GHz | dB | — | 43 | — |
| | 4.9 - 6 GHz | dB | 25 | 30 | — |
| Isolation (on/on or off/off) | 2.4 GHz | dB | — | 11 | — |
| | 4.9 - 6 GHz | dB | — | 20 | — |
| Return Loss | 2.4 GHz | dB | — | 23 | — |
| | 4.9 - 6 GHz | dB | — | 15 | — |
| IP2 | Two Tone, 15 dBm/Tone, 5 MHz Spacing | | | | |
| | 2.4 GHz | dBm | — | 93 | — |
| | 5.3 GHz | dBm | — | 86 | — |
| | 5.8 GHz | dBm | — | 84 | — |
| IP3 | Two Tone, 15 dBm/Tone, 5 MHz Spacing | | | | |
| | 2.4 GHz | dBm | — | 52 | — |
| | 5.3 GHz | dBm | — | 50 | — |
| | 5.8 GHz | dBm | — | 50 | — |
| Input P-1dB | 2.4 GHz | dBm | — | 33 | — |
| | 5.3 GHz | dBm | — | 31 | — |
| | 5.8 GHz | dBm | — | 31 | — |
| 2 nd Harmonic | $P_{IN} = 20\text{ dBm}$ | | | | |
| | 2.4 GHz | dBc | — | -75 | — |
| | 5.8 GHz | dBc | — | -77 | — |
| 3 rd Harmonic | $P_{IN} = 20\text{ dBm}$ | | | | |
| | 2.4 GHz | dBc | — | -69 | — |
| | 5.8 GHz | dBc | — | -86 | — |
| Trise, Tfall | 10% to 90% RF | nS | — | 35 | — |
| | 90% to 10% RF | nS | — | 60 | — |
| Ton, Toff | 50% control to 90% RF, and 50% control to 10% RF | nS | — | 90 | — |
| Transients | — | mV | — | 6 | — |
| Control Current | $ V_c = 3\text{ V}$ | μA | — | 6 | 25 |

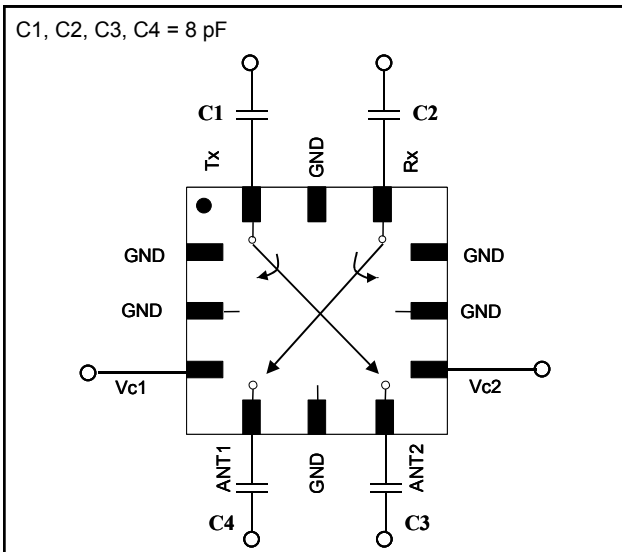
3. For positive voltage control, external DC blocking capacitors are required on all RF ports.

4. Insertion loss can be optimized by varying the DC blocking capacitor value.

Evaluation Board for Lead-Free 3 mm 12-lead PQFN Package



Application Schematic



Truth Table ^{7,8}

| Control Vc1 | Control Vc2 | ANT 1 - Rx | ANT 1 - Tx | ANT 2 - Tx | ANT 2 - Rx |
|-------------|-------------|------------|------------|------------|------------|
| 1 | 0 | On | Off | On | Off |
| 0 | 1 | Off | On | Off | On |
| 1 | 1 | Off | Off | Off | Off |
| 0 | 0 | Off | Off | Off | Off |

7. 1 = +2.9 V to +5 V, 0 = 0 V ± 0.2 V.

8. Differential voltage, V(state 1) - V(state 0), must be 2.7 V minimum and must not exceed 8.5 V.

Handling Procedures

Please observe the following precautions to avoid damage:

Static Sensitivity

Gallium Arsenide Integrated Circuits are sensitive to electrostatic discharge (ESD) and can be damaged by static electricity. Proper ESD control techniques should be used when handling these devices.

Absolute Maximum Ratings ^{5,6}

| Parameter | Absolute Maximum |
|---------------------------|-------------------|
| Input Power @ 3 V Control | +31 dBm |
| Input Power @ 5 V Control | +34 dBm |
| Voltage | ± 8.5 volts |
| Operating Temperature | -40 °C to +85 °C |
| Storage Temperature | -65 °C to +150 °C |

5. Exceeding any one or combination of these limits may cause permanent damage to this device.

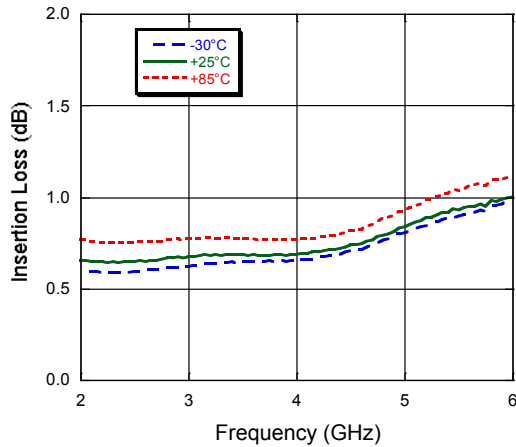
6. M/A-COM does not recommend sustained operation near these survivability limits.

GaAs Broadband DPDT Diversity Switch DC - 6.0 GHz

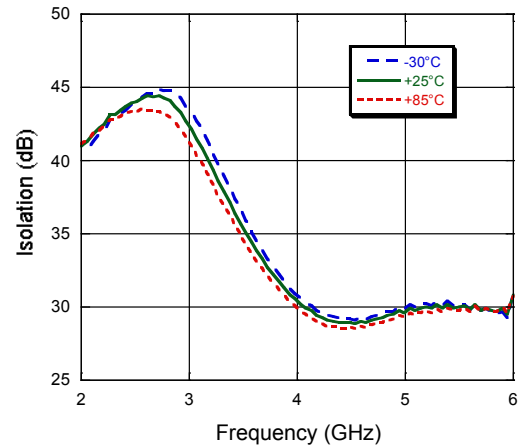
Rev. V6

Typical Performance Curves, 8 pF Blocking Caps

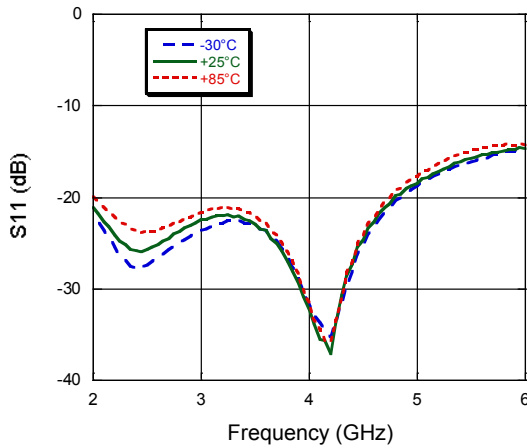
Insertion Loss



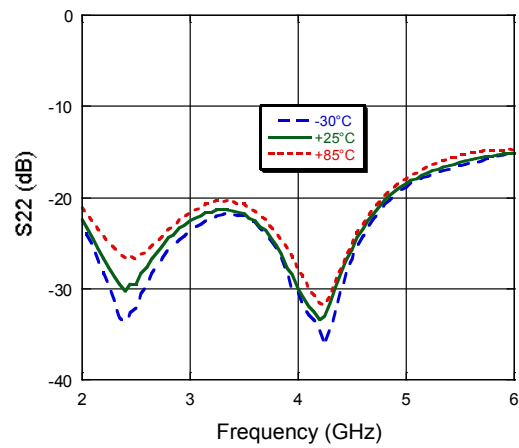
Isolation



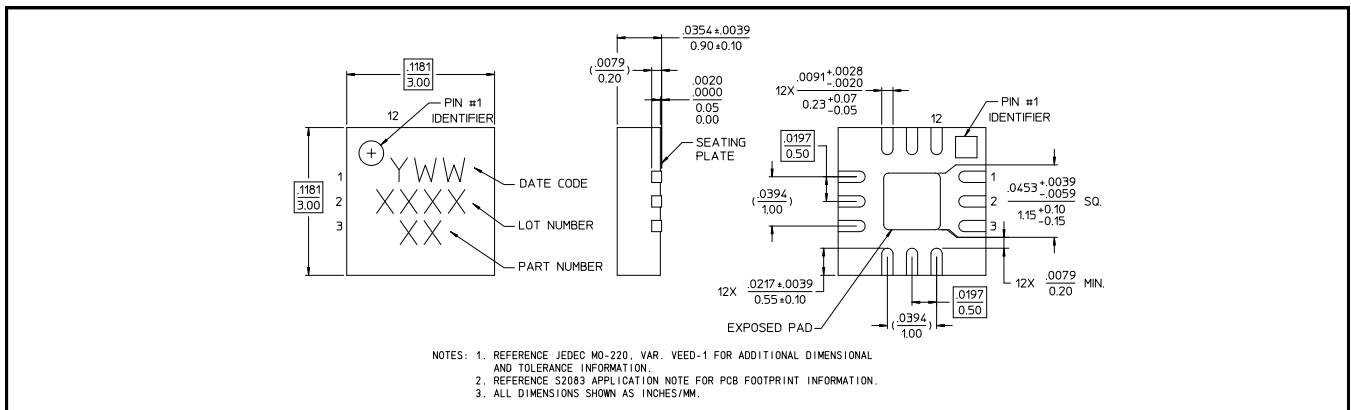
Antenna Ports Return Loss



Tx/Rx Ports Return Loss



Lead-Free 3 mm 12-Lead PQFN†



† Reference Application Note M538 for lead-free solder reflow recommendations.

M/A-COM Technology Solutions Inc. All rights reserved.

Information in this document is provided in connection with M/A-COM Technology Solutions Inc ("MACOM") products. These materials are provided by MACOM as a service to its customers and may be used for informational purposes only. Except as provided in MACOM's Terms and Conditions of Sale for such products or in any separate agreement related to this document, MACOM assumes no liability whatsoever. MACOM assumes no responsibility for errors or omissions in these materials. MACOM may make changes to specifications and product descriptions at any time, without notice. MACOM makes no commitment to update the information and shall have no responsibility whatsoever for conflicts or incompatibilities arising from future changes to its specifications and product descriptions. No license, express or implied, by estoppel or otherwise, to any intellectual property rights is granted by this document.

THESE MATERIALS ARE PROVIDED "AS IS" WITHOUT WARRANTY OF ANY KIND, EITHER EXPRESS OR IMPLIED, RELATING TO SALE AND/OR USE OF MACOM PRODUCTS INCLUDING LIABILITY OR WARRANTIES RELATING TO FITNESS FOR A PARTICULAR PURPOSE, CONSEQUENTIAL OR INCIDENTAL DAMAGES, MERCHANTABILITY, OR INFRINGEMENT OF ANY PATENT, COPYRIGHT OR OTHER INTELLECTUAL PROPERTY RIGHT. MACOM FURTHER DOES NOT WARRANT THE ACCURACY OR COMPLETENESS OF THE INFORMATION, TEXT, GRAPHICS OR OTHER ITEMS CONTAINED WITHIN THESE MATERIALS. MACOM SHALL NOT BE LIABLE FOR ANY SPECIAL, INDIRECT, INCIDENTAL, OR CONSEQUENTIAL DAMAGES, INCLUDING WITHOUT LIMITATION, LOST REVENUES OR LOST PROFITS, WHICH MAY RESULT FROM THE USE OF THESE MATERIALS.

MACOM products are not intended for use in medical, lifesaving or life sustaining applications. MACOM customers using or selling MACOM products for use in such applications do so at their own risk and agree to fully indemnify MACOM for any damages resulting from such improper use or sale.

Looking for pricing, stock, or lifecycle information?

Click below to explore more details on WIN SOURCE:

- ⊖ [View MASWSS0129 on WIN SOURCE](#)
- ⊖ [M/A-Com Technology Solutions Information](#)

Optimize Your Supply Chain with WIN SOURCE Solutions

- ✓ Global Sourcing Solution
- ✓ Obsolete Management
- ✓ Cost Control Management
- ✓ Shortage Management
- ✓ Alternative Solution
- ✓ Excess Inventory Management