



**THE DATASHEET OF
RJ11-6L-B**



L Series



**UL Recognized
CSA Certified**

Inductive filtering in a direct retrofit to standard unfiltered RJ11, RJ45, or handset jacks. Offered with standard ferrite sleeve inductors or higher performance ferrite blocks, the L series is available with or without a shield.

Ganged version of our L series filtered jacks. Available in RJ11 models with block inductors in gangs of 2, 4, or 6. Retrofits existing unfiltered ganged jack footprints.

Specifications

Contacts

Material:	Phosphor bronze
Plating:	50 microinches gold
Barrier underplating:	100 microinches nickel
Resistance:	
Initial:	20 milliohms maximum
After durability testing (500 mating cycles):	30 milliohms maximum

Ferrites

Type:	High resistivity, nickel zinc ceramic
Sleeves:	Single-aperture cylinders
Block:	Multi-aperture rectangular prism

Shield Material

Solder-plated copper alloy

Housing Material

Glass-filled polyester (UL94V-O)

Dielectric Withstanding Voltage

Line-to-line and line-to-ground	1000 VAC for 60 seconds
---------------------------------	----------------------------

Printed Circuit Board Retention

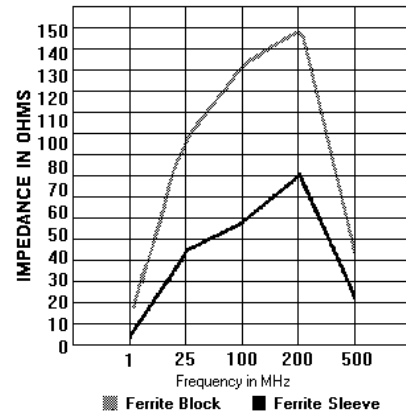
Before soldering:	1 lb. minimum
After soldering:	20 lb. minimum



L Series Ganged Version

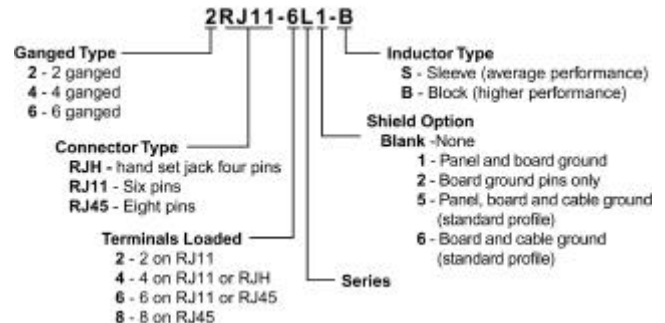


Typical Impedance in Ohms



Ordering Information

Consult your local Corcom sales representative for pricing.

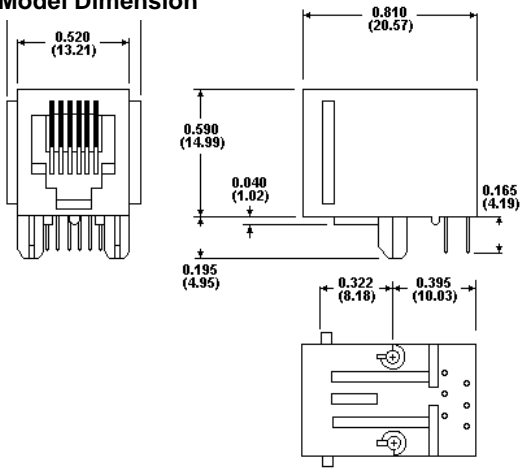


Available Part Numbers

RJ11-2L-B	RJ45-6L-S	2RJ11-6L-B
RJ11-2L-S	RJ45-6L-B	4RJ11-6L-B
RJ11-2L2-B	RJ45-6L1-S	6RJ11-6L-B
RJ11-4L-B	RJ45-6L1-B	
RJ11-4L-S	RJ45-6L2-S	
RJ11-4L1-S	RJ45-6L2-B	
RJ11-4L1-B	RJ45-8L-S	
RJ11-4L2-S	RJ45-8L-B	
RJ11-4L2-B	RJ45-8L1-S	
RJ11-6L-B	RJ45-8L1-B	
RJ11-6L-S	RJ45-8L2-S	
RJ11-6L1-S	RJ45-8L2-B	
RJ11-6L1-B		
RJ11-6L2-S		
RJ11-6L2-B		

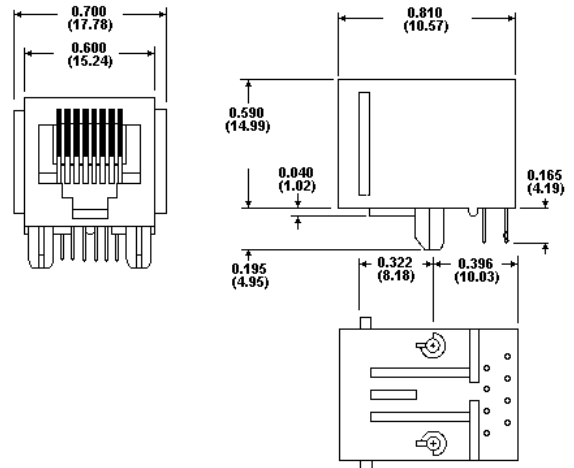
RJ11 (No Shield)

Model Dimension



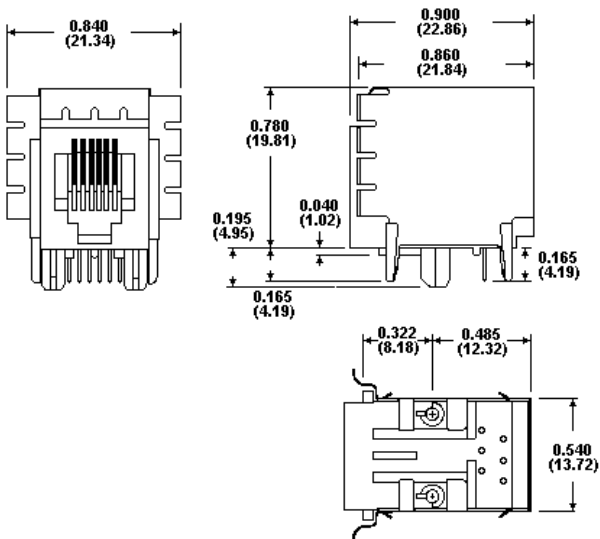
RJ45 (No Shield)

Model Dimension



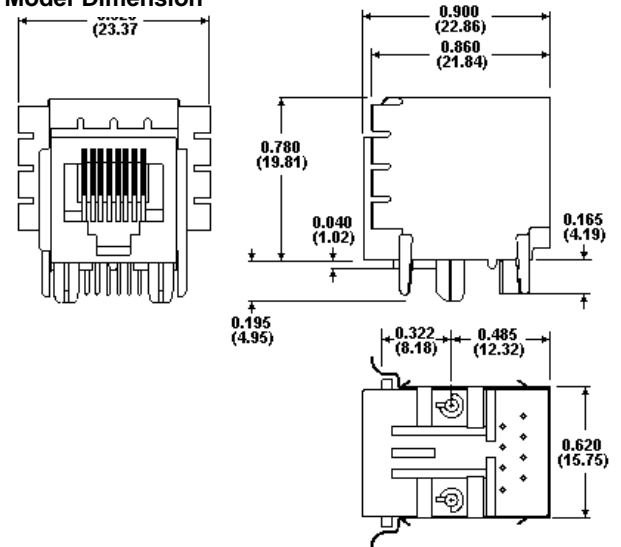
RJ11 (Style 1 Shield)

Model Dimension



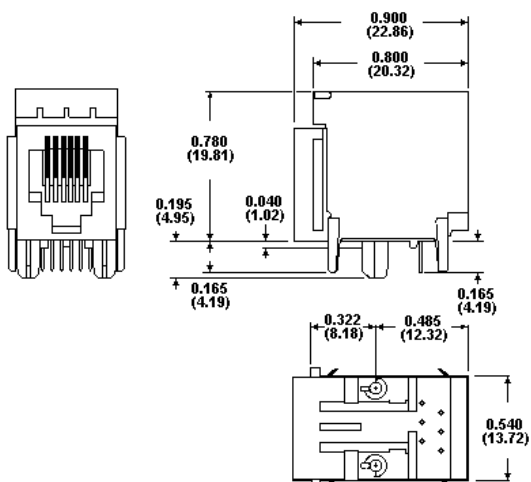
RJ45 (Style 1 Shield)

Model Dimension



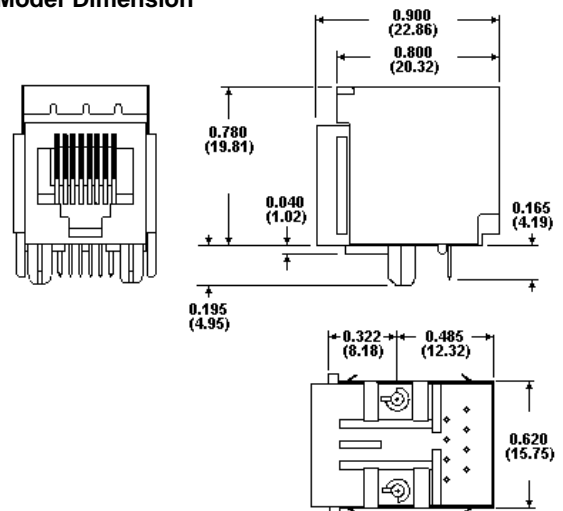
RJ11 (Style 2 Shield)

Model Dimension



RJ45 (Style 2 Shield)

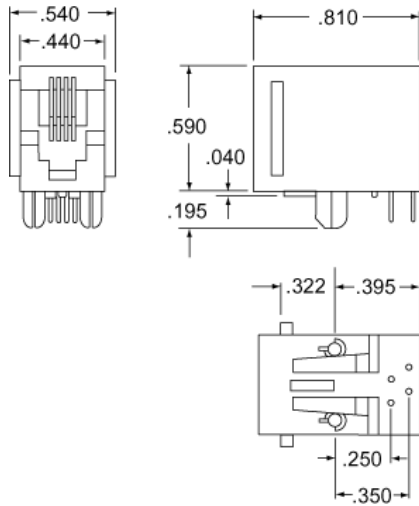
Model Dimension



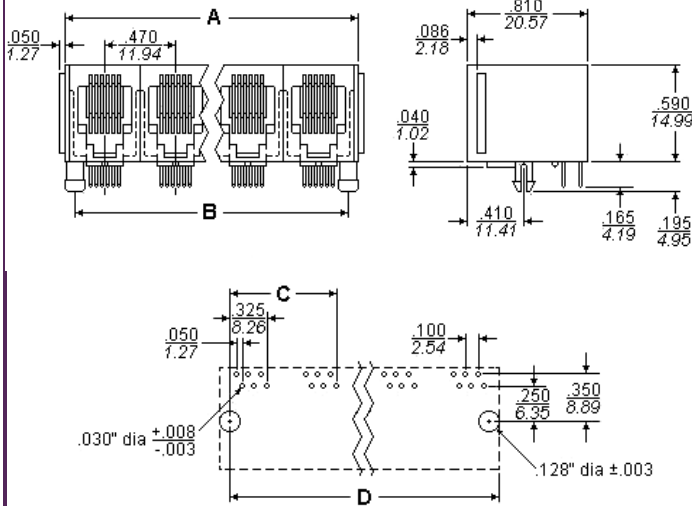
L Series

RJH (No Shield)

Model Dimension



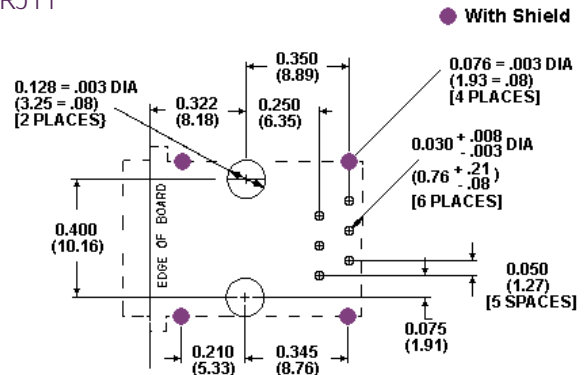
Model Dimensions and PC Board Layout



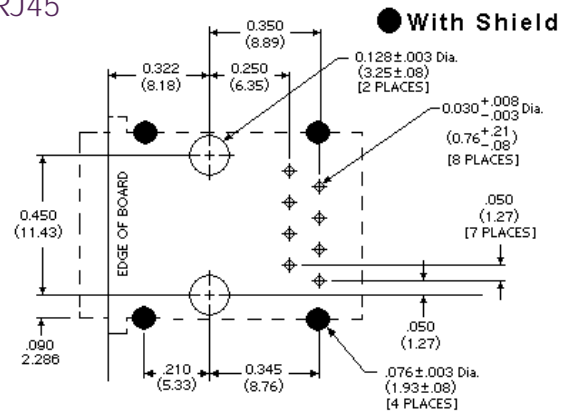
Ports	A	B	C	D
2	$\frac{.99}{25.15}$	$\frac{.87}{22.1}$	$\frac{.795}{20.19}$	$\frac{.87}{22.1}$
4	$\frac{1.93}{49.02}$	$\frac{1.81}{45.97}$	$\frac{1.735}{44.07}$	$\frac{1.81}{45.97}$
6	$\frac{2.87}{72.9}$	$\frac{2.75}{69.85}$	$\frac{2.675}{67.95}$	$\frac{2.75}{69.85}$

PC Board Layouts

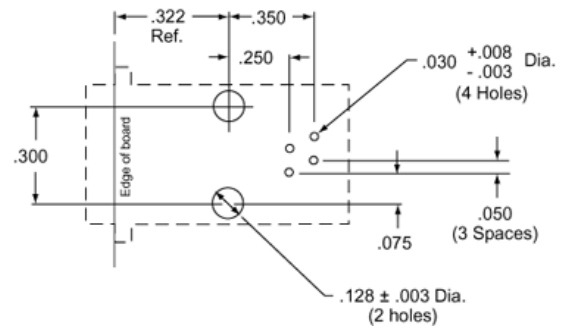
RJ11



RJ45



RJH



Looking for pricing, stock, or lifecycle information?

Click below to explore more details on WIN SOURCE:

 [View RJ11-6L-B on WIN SOURCE](#)

 [TE Connectivity](#) Information

Optimize Your Supply Chain with WIN SOURCE Solutions

-  Global Sourcing Solution
-  Obsolete Management
-  Cost Control Management
-  Shortage Management
-  Alternative Solution
-  Excess Inventory Management