



**THE DATASHEET OF  
BQ2004ESNTRG4**



## Fast-Charge ICs

### Features

- Fast charge and conditioning of nickel cadmium or nickel-metal hydride batteries
- Hysteretic PWM switch-mode current regulation or gated control of an external regulator
- Easily integrated into systems or used as a stand-alone charger
- Pre-charge qualification of temperature and voltage
- Configurable, direct LED outputs display battery and charge status
- Fast-charge termination by  $\Delta$  temperature/ $\Delta$  time, peak voltage detection,  $-\Delta V$ , maximum voltage, maximum temperature, and maximum time
- Optional top-off charge and pulsed current maintenance charging
- Logic-level controlled low-power mode ( $< 5\mu A$  standby current)

### General Description

The bq2004E and bq2004H Fast Charge ICs provide comprehensive fast charge control functions together with high-speed switching power control circuitry on a monolithic CMOS device.

Integration of closed-loop current control circuitry allows the bq2004 to be the basis of a cost-effective solution for stand-alone and system-integrated chargers for batteries of one or more cells.

Switch-activated discharge-before-charge allows bq2004E/H-based chargers to support battery conditioning and capacity determination.

High-efficiency power conversion is accomplished using the bq2004E/H as a hysteretic PWM controller for switch-mode regulation of the charging current. The bq2004E/H may alternatively be used to gate an externally regulated charging current.

Fast charge may begin on application of the charging supply, replacement of the battery, or switch depression. For safety, fast charge is inhibited unless/until the battery tempera-

ture and voltage are within configured limits.

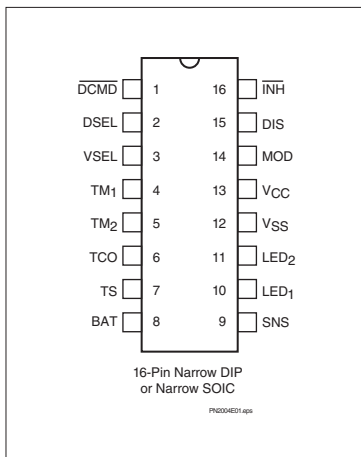
Temperature, voltage, and time are monitored throughout fast charge. Fast charge is terminated by any of the following:

- Rate of temperature rise ( $\Delta T/\Delta t$ )
- Peak voltage detection (PVD)
- Negative delta voltage ( $-\Delta V$ )
- Maximum voltage
- Maximum temperature
- Maximum time

After fast charge, optional top-off and pulsed current maintenance phases with appropriate display mode selections are available.

The bq2004H differs from the bq2004E only in that fast charge, hold-off, and top-off time units have been scaled up by a factor of two, and the bq2004H provides different display selections. Timing differences between the two ICs are illustrated in Table 1. Display differences are shown in Table 2.

### Pin Connections



SLUS081A - APRIL 2005

### Pin Names

|                          |                            |                         |                          |
|--------------------------|----------------------------|-------------------------|--------------------------|
| $\overline{\text{DCMD}}$ | Discharge command          | SNS                     | Sense resistor input     |
| DSEL                     | Display select             | LED <sub>1</sub>        | Charge status output 1   |
| VSEL                     | Voltage termination select | LED <sub>2</sub>        | Charge status output 2   |
| TM <sub>1</sub>          | Timer mode select 1        | V <sub>SS</sub>         | System ground            |
| TM <sub>2</sub>          | Timer mode select 2        | V <sub>CC</sub>         | 5.0V $\pm$ 10% power     |
| TCO                      | Temperature cutoff         | MOD                     | Charge current control   |
| TS                       | Temperature sense          | DIS                     | Discharge control output |
| BAT                      | Battery voltage            | $\overline{\text{INH}}$ | Charge inhibit input     |

# bq2004E/H

---

## Pin Descriptions

|  |  |   |   |
|--|--|---|---|
| <b><math>\overline{\text{DCMD}}</math></b> | <b>Discharge-before-charge control input</b><br><br>The $\overline{\text{DCMD}}$ input controls the conditions that enable discharge-before-charge. $\overline{\text{DCMD}}$ is pulled up internally. A negative-going pulse on $\overline{\text{DCMD}}$ initiates a discharge to end-of-discharge voltage (EDV) on the BAT pin, followed by a new charge cycle start. Tying $\overline{\text{DCMD}}$ to ground enables automatic discharge-before-charge on every new charge cycle start. | <b>SNS</b>                                | <b>Charging current sense input</b><br><br>SNS controls the switching of MOD based on an external sense resistor in the current path of the battery. SNS is the reference potential for both the TS and BAT pins. If SNS is connected to $V_{SS}$ , then MOD switches high at the beginning of charge and low at the end of charge. |
| <b>DSEL</b>                                | <b>Display select input</b><br><br>This three-state input configures the charge status display mode of the LED <sub>1</sub> and LED <sub>2</sub> outputs and can be used to disable top-off and pulsed-trickle. See Table 2.   | <b>LED<sub>1</sub>–LED<sub>2</sub></b>    | <b>Charge status outputs</b><br><br>Push-pull outputs indicating charging status. See Table 2.  |
| <b>VSEL</b>                                | <b>Voltage termination select input</b><br><br>This three-state input controls the voltage-termination technique used by the bq2004E/H. When high, PVD is active. When floating, $-\Delta V$ is used. When pulled low, both PVD and $-\Delta V$ are disabled.  | <b>V<sub>SS</sub></b>                     | <b>Ground</b>   |
| <b>TM<sub>1</sub>–TM<sub>2</sub></b>       | <b>Timer mode inputs</b><br><br>TM <sub>1</sub> and TM <sub>2</sub> are three-state inputs that configure the fast charge safety timer, voltage termination hold-off time, “top-off”, and trickle charge control. See Table 1.   | <b>V<sub>CC</sub></b>                     | <b>V<sub>CC</sub> supply input</b><br><br>5.0V, $\pm 10\%$ power input.   |
| <b>TCO</b>                                 | <b>Temperature cut-off threshold input</b><br><br>Input to set maximum allowable battery temperature. If the potential between TS and SNS is less than the voltage at the TCO input, then fast charge or top-off charge is terminated.   | <b>MOD</b>                                | <b>Charge current control output</b><br><br>MOD is a push-pull output that is used to control the charging current to the battery. MOD switches high to enable charging current to flow and low to inhibit charging current flow.   |
| <b>TS</b>                                  | <b>Temperature sense input</b><br><br>Input, referenced to SNS, for an external thermister monitoring battery temperature.   | <b>DIS</b>                                | <b>Discharge control output</b><br><br>Push-pull output used to control an external transistor to discharge the battery before charging.  |
| <b>BAT</b>                                 | <b>Battery voltage input</b><br><br>BAT is the battery voltage sense input, referenced to SNS. This is created by a high-impedance resistor-divider network connected between the positive and the negative terminals of the battery.  | <b><math>\overline{\text{INH}}</math></b> | <b>Charge inhibit input</b><br><br>When low, the bq2004E/H suspends all charge actions, drives all outputs to high impedance, and assumes a low-power operational state. When transitioning from low to high, a new charge cycle is started.  |

## Functional Description

Figure 2 shows a block diagram and Figure 3 shows a state diagram of the bq2004E/H.

### Battery Voltage and Temperature Measurements

Battery voltage and temperature are monitored for maximum allowable values. The voltage presented on the battery sense input, BAT, should represent a two-cell potential for the battery under charge. A resistor-divider ratio of:

$$\frac{RB1}{RB2} = \frac{N}{2} - 1$$

is recommended to maintain the battery voltage within the valid range, where N is the number of cells, RB1 is the resistor connected to the positive battery terminal, and RB2 is the resistor connected to the negative battery terminal. See Figure 1.

**Note:** This resistor-divider network input impedance to end-to-end should be at least 200kΩ and less than 1MΩ.

A ground-referenced negative temperature coefficient thermistor placed in proximity to the battery may be used as a low-cost temperature-to-voltage transducer. The temperature sense voltage input at TS is developed using a resistor-thermistor network between V<sub>CC</sub> and V<sub>SS</sub>. See Figure 1. Both the BAT and TS inputs are referenced to SNS, so the signals used inside the IC are:

$$V_{BAT} - V_{SNS} = V_{CELL}$$

and

$$V_{TS} - V_{SNS} = V_{TEMP}$$

### Discharge-Before-Charge

The  $\overline{DCMD}$  input is used to command discharge-before-charge via the DIS output. Once activated, DIS becomes active (high) until V<sub>CELL</sub> falls below V<sub>EDV</sub>, at which time DIS goes low and a new fast charge cycle begins.

The  $\overline{DCMD}$  input is internally pulled up to V<sub>CC</sub> (its inactive state). Leaving the input unconnected, therefore, results in disabling discharge-before-charge. A negative going pulse on DCMD initiates discharge-before-charge at any time regardless of the current state of the bq2004. If DCMD is tied to V<sub>SS</sub>, discharge-before-charge will be the first step in all newly started charge cycles.

### Starting A Charge Cycle

A new charge cycle is started by:

1. Application of V<sub>CC</sub> power.
2. V<sub>CELL</sub> falling through the maximum cell voltage, V<sub>MCV</sub> where:

$$V_{MCV} = 0.8 * V_{CC} \pm 30mV$$

3. A transition on the  $\overline{INH}$  input from low to high.

If  $\overline{DCMD}$  is tied low, a discharge-before-charge will be executed as the first step of the new charge cycle. Otherwise, pre-charge qualification testing will be the first step.

The battery must be within the configured temperature and voltage limits before fast charging begins.

The valid battery voltage range is V<sub>EDV</sub> < V<sub>BAT</sub> < V<sub>MCV</sub> where:

$$V_{EDV} = 0.4 * V_{CC} \pm 30mV$$

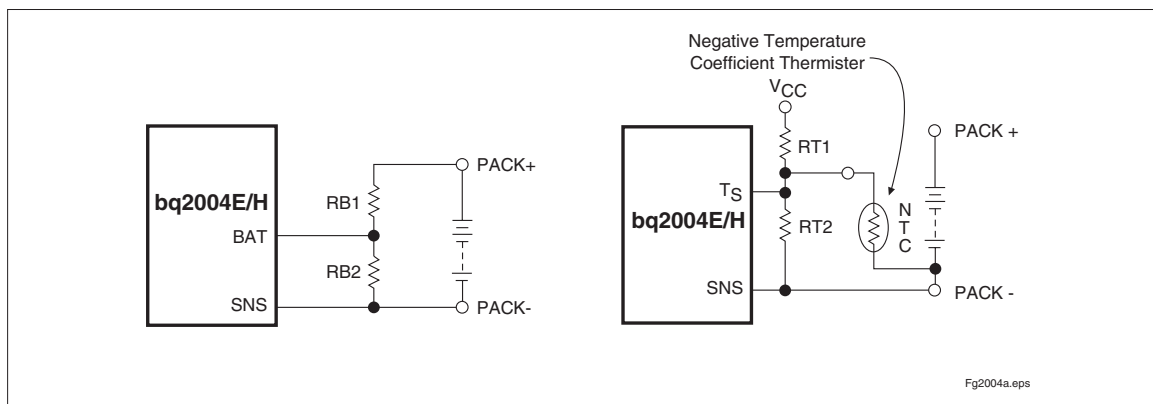


Figure 1. Voltage and Temperature Monitoring

## bq2004E/H

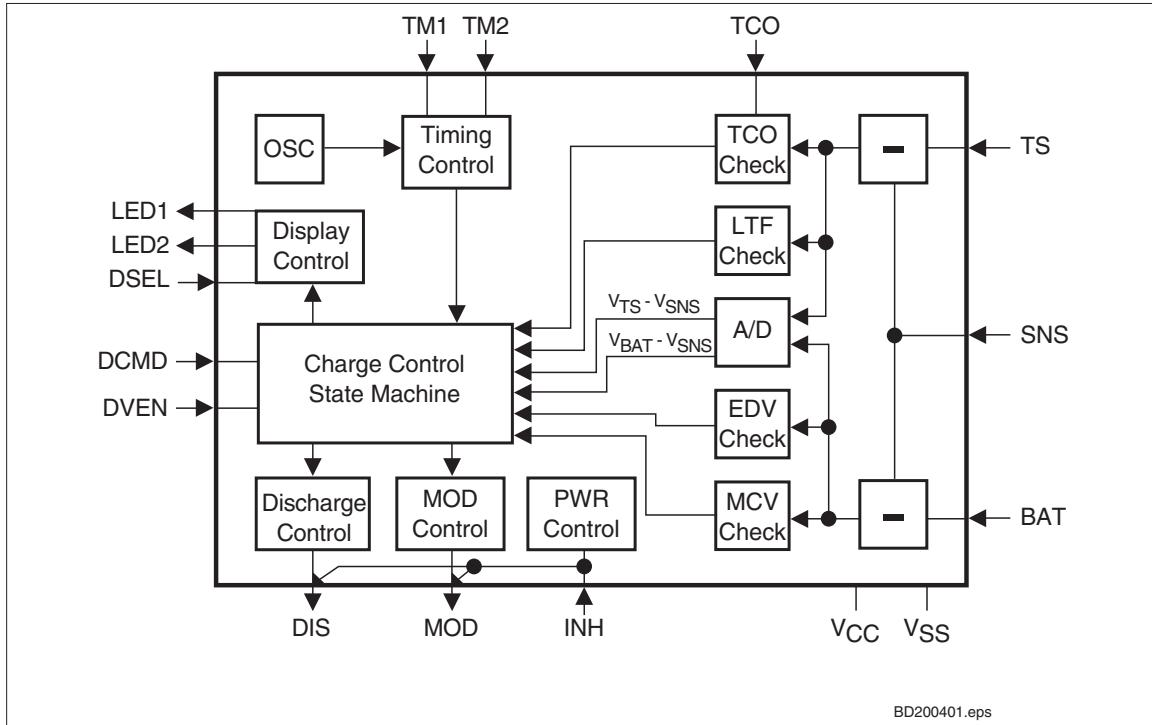


Figure 2. Block Diagram

The valid temperature range is  $V_{HTF} < V_{TEMP} < V_{LTF}$ , where:

$$V_{LTF} = 0.4 * V_{CC} \pm 30mV$$

$$V_{HTF} = [(1/3 * V_{LTF}) + (2/3 * V_{TCO})] \pm 30mV$$

$V_{TCO}$  is the voltage presented at the TCO input pin, and is configured by the user with a resistor divider between  $V_{CC}$  and ground. The allowed range is  $0.2$  to  $0.4 * V_{CC}$ .

If the temperature of the battery is out of range, or the voltage is too low, the chip enters the charge pending state and waits for both conditions to fall within their allowed limits. During the charge-pending mode, the IC first applies a top-off charge to the battery.

The top-off charge, at the rate of  $1/8$  of the fast charge, continues until the fast-charge conditions are met or the top-off time-out period is exceeded. The IC then trickle charges until the fast-charge conditions are met. There is no time limit on the charge pending state; the charger remains in this state as long as the voltage or temperature conditions are outside of the allowed limits. If the voltage is too high, the chip goes to the battery absent state and waits until a new charge cycle is started.

Fast charge continues until termination by one or more of the six possible termination conditions:

- Delta temperature/delta time ( $\Delta T/\Delta t$ )
- Peak voltage detection (PVD)
- Negative delta voltage ( $-\Delta V$ )
- Maximum voltage
- Maximum temperature
- Maximum time

### PVD and $-\Delta V$ Termination

The bq2004E/H samples the voltage at the BAT pin once every 34s. When  $-\Delta V$  termination is selected, if  $V_{CELL}$  is lower than any previously measured value by  $12mV \pm 4mV$  ( $6mV/cell$ ), fast charge is terminated. When PVD termination is selected, if  $V_{CELL}$  is lower than any previously measured value by  $6mV \pm 2mV$  ( $3mV/cell$ ), fast charge is terminated. The PVD and  $-\Delta V$  tests are valid in the range  $0.4 * V_{CC} < V_{CELL} < 0.8 * V_{CC}$ .

| VSEL Input | Voltage Termination |
|------------|---------------------|
| Low        | Disabled            |
| Float      | -ΔV                 |
| High       | PVD                 |

### Voltage Sampling

Each sample is an average of voltage measurements. The IC takes 32 measurements in PVD mode and 16 measurements in -ΔV mode. The resulting sample periods (9.17ms and 18.18ms, respectively) filter out harmonics centered around 55Hz and 109Hz. This technique minimizes the effect of any AC line ripple that may feed through the power supply from either 50Hz or 60Hz AC sources. Tolerance on all timing is ±16%.

### Temperature and Voltage Termination Hold-off

A hold-off period occurs at the start of fast charging. During the hold-off period, -ΔV and ΔT/Δt termination are disabled. The MOD pin is enabled at a duty cycle of 260μs active for every 1820μs inactive. This modulation results in an average rate 1/8th that of the fast charge rate. This avoids premature termination on the voltage spikes sometimes produced by older batteries when fast-charge current is first applied. Maximum voltage and maximum temperature terminations are not affected by the hold-off period.

### ΔT/Δt Termination

The bq2004E/H samples at the voltage at the TS pin every 34s, and compares it to the value measured two samples earlier. If V<sub>TEMP</sub> has fallen 16mV ±4mV or more, fast charge is terminated. The ΔT/Δt termination test is valid only when V<sub>TCO</sub> < V<sub>TEMP</sub> < V<sub>LTF</sub>.

### Temperature Sampling

Each sample is an average of 16 voltage measurements. The resulting sample period (18.18ms) filters out harmonics around 55Hz. This technique minimizes the effect of any AC line ripple that may feed through the power supply from either 50Hz or 60Hz AC sources. Tolerance on all timing is ±16%.

### Maximum Voltage, Temperature, and Time

Anytime V<sub>CELL</sub> rises above V<sub>MCV</sub>, the LEDs go off and current flow into the battery ceases immediately. If V<sub>CELL</sub> then falls back below V<sub>MCV</sub> before t<sub>MCV</sub> = 1.5s ±0.5s, the chip transitions to the Charge Complete state (maximum voltage termination). If V<sub>CELL</sub> remains above V<sub>MCV</sub> at the expiration of t<sub>MCV</sub>, the bq2004E/H transitions to the Battery Absent state (battery removal). See Figure 3.

Maximum temperature termination occurs anytime V<sub>TEMP</sub> falls below the temperature cutoff threshold V<sub>TCO</sub>. Charge will also be terminated if V<sub>TEMP</sub> rises above the low temperature fault threshold, V<sub>LTF</sub>, after fast charge begins.

Table 1. Fast Charge Safety Time/Hold-Off/Top-Off Table

| Corresponding Fast-Charge Rate |       | TM1   | TM2   | Typical Fast-Charge Safety Time (min) |       | Typical PVD, -ΔV Hold-Off Time (s) |       | Top-Off Rate |       | Pulse-Trickle Rate | Pulse-Trickle Period (Hz) |       |
|--------------------------------|-------|-------|-------|---------------------------------------|-------|------------------------------------|-------|--------------|-------|--------------------|---------------------------|-------|
| 2004E                          | 2004H |       |       | 2004E                                 | 2004H | 2004E                              | 2004H | 2004E        | 2004H |                    | 2004E                     | 2004H |
| C/4                            | C/8   | Low   | Low   | 325                                   | 650   | 137                                | 273   | Disabled     |       | Disabled           | Disabled                  |       |
| C/2                            | C/4   | Float | Low   | 154                                   | 325   | 546                                | 546   | Disabled     |       | C/512              | 15                        | 30    |
| 1C                             | C/2   | High  | Low   | 77                                    | 154   | 273                                | 546   | Disabled     |       | C/512              | 7.5                       | 15    |
| 2C                             | 1C    | Low   | Float | 39                                    | 77    | 137                                | 273   | Disabled     |       | C/512              | 3.75                      | 7.5   |
| 4C                             | 2C    | Float | Float | 19                                    | 39    | 68                                 | 137   | Disabled     |       | C/512              | 1.88                      | 3.75  |
| C/2                            | C/4   | High  | Float | 154                                   | 325   | 546                                | 546   | C/16         | C/32  | C/512              | 15                        | 30    |
| 1C                             | C/2   | Low   | High  | 77                                    | 154   | 273                                | 546   | C/8          | C/16  | C/512              | 7.5                       | 15    |
| 2C                             | 1C    | Float | High  | 39                                    | 77    | 137                                | 273   | C/4          | C/18  | C/512              | 3.75                      | 7.5   |
| 4C                             | 2C    | High  | High  | 19                                    | 39    | 68                                 | 137   | C/2          | C/4   | C/512              | 1.88                      | 3.75  |

Note: Typical conditions = 25°C, V<sub>CC</sub> = 5.0V.

## bq2004E/H

**Table 2. bq2004E/H LED Output Summary**

| Mode 1<br>bq2004E      | Charge Action State  | LED <sub>1</sub> | LED <sub>2</sub>                                      |
|------------------------|--|------------------|---|
| DSEL = V <sub>SS</sub> | Battery absent   | Low              | Low   |
|                        | Fast charge pending or a discharge-before-charge in progress | High             | High  |
|                        | Fast charging  | Low              | High  |
|                        | Fast charge complete, top-off, and/or trickle                | High             | Low   |
| Mode 1<br>bq2004H      | Charge Action State  | LED <sub>1</sub> | LED <sub>2</sub>                                      |
| DSEL = V <sub>SS</sub> | Battery absent   | Low              | Low   |
|                        | Discharge-before-charge in progress                          | High             | High  |
|                        | Fast charge pending  | Low              | $\frac{1}{8}$ second high<br>$\frac{1}{8}$ second low |
|                        | Fast charging  | Low              | High  |
|                        | Fast charge complete, top-off, and/or trickle                | High             | Low   |
| Mode 2<br>bq2004E      | Charge Action State (See note)                               | LED <sub>1</sub> | LED <sub>2</sub>                                      |
| DSEL = Floating        | Battery absent   | Low              | Low   |
|                        | Fast charge pending or discharge-before-charge in progress   | High             | High  |
|                        | Fast charging  | Low              | High  |
|                        | Fast charge complete, top-off, and/or trickle                | High             | Low   |
| Mode 2<br>bq2004H      | Charge Action State (See note)                               | LED <sub>1</sub> | LED <sub>2</sub>                                      |
| DSEL = Floating        | Battery absent   | Low              | Low   |
|                        | Discharge-before-charge in progress                          | High             | High  |
|                        | Fast charge pending  | Low              | $\frac{1}{8}$ second high<br>$\frac{1}{8}$ second low |
|                        | Fast charging  | Low              | High  |
|                        | Fast charge complete, top-off, and/or trickle                | High             | Low   |
| Mode 3<br>bq2004E/H    | Charge Action State  | LED <sub>1</sub> | LED <sub>2</sub>                                      |
| DSEL = V <sub>CC</sub> | Battery absent   | Low              | Low   |
|                        | Fast charge pending or discharge-before-charge in progress   | Low              | $\frac{1}{8}$ second high<br>$\frac{1}{8}$ second low |
|                        | Fast charging  | Low              | High  |
|                        | Fast charge complete, top-off, and/or trickle                | High             | Low   |

**Note:** Pulse trickle is inhibited in Mode 2.

Maximum charge time is configured using the TM pin. Time settings are available for corresponding charge rates of C/4, C/2, 1C, and 2C. Maximum time-out termination is enforced on the fast-charge phase, then reset, and enforced again on the top-off phase, if selected. There is no time limit on the trickle-charge phase.

### Top-off Charge

An optional top-off charge phase may be selected to follow fast charge termination for the C/2 through 4C rates. This phase may be necessary on NiMH or other battery chemistries that have a tendency to terminate charge prior to reaching full capacity. With top-off enabled, charging continues at a reduced rate after fast-charge termination for a period of time equal to 0.235\* the fast-charge safety time (See Table 1.) During top-off, the MOD pin is enabled at a duty cycle of 260µs active for every 1820µs inactive. This modulation results in an average rate 1/8th that of the fast charge rate. Maximum voltage, time, and temperature are the only termination methods enabled during top-off.

### Pulse-Trickle Charge

Pulse-trickle charging may be configured to follow the fast charge and optional top-off charge phases to compensate for self-discharge of the battery while it is idle in the charger.

In the pulse-trickle mode, MOD is active for 260µs of a period specified by the settings of TM1 and TM2. See Table 1. The resulting trickle-charge rate is C/512. Both pulse trickle and top-off may be disabled by tying TM1 and TM2 to V<sub>SS</sub> or by selecting Mode 2 in the display.

### Charge Status Indication

Charge status is indicated by the LED<sub>1</sub> and LED<sub>2</sub> outputs. The state of these outputs in the various charge cycle phases is given in Table 2 and illustrated in Figure 3.

In all cases, if V<sub>CELL</sub> exceeds the voltage at the MCV pin, both LED<sub>1</sub> and LED<sub>2</sub> outputs are held low regardless of other conditions. Both can be used to directly drive an LED.

### Charge Current Control

The bq2004E/H controls charge current through the MOD output pin. The current control circuitry is designed to support implementation of a constant-current switching regulator or to gate an externally regulated current source.

When used in switch mode configuration, the nominal regulated current is:

$$I_{REG} = 0.225V/R_{SNS}$$

Charge current is monitored at the SNS input by the voltage drop across a sense resistor, R<sub>SNS</sub>, between the low side of the battery pack and ground. R<sub>SNS</sub> is sized to provide the desired fast charge current.

If the voltage at the SNS pin is less than V<sub>SNSLO</sub>, the MOD output is switched high to pass charge current to the battery.

When the SNS voltage is greater than V<sub>SNSHI</sub>, the MOD output is switched low—shutting off charging current to the battery.

$$V_{SNSLO} = 0.04 * V_{CC} \pm 25mV$$

$$V_{SNSHI} = 0.05 * V_{CC} \pm 25mV$$

When used to gate an externally regulated current source, the SNS pin is connected to V<sub>SS</sub>, and no sense resistor is required.

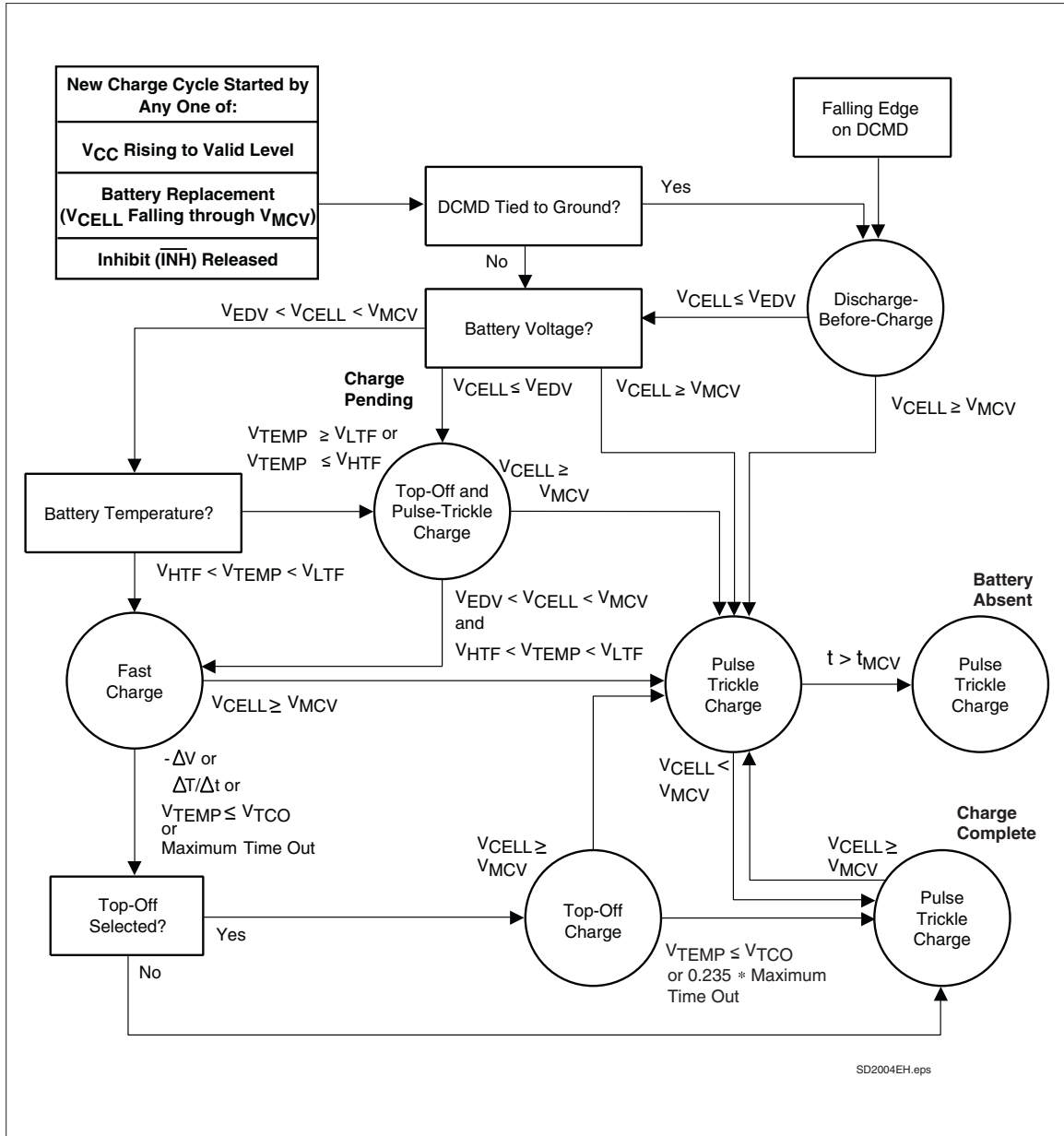


Figure 3. Charge Algorithm State Diagram

## Absolute Maximum Ratings

| Symbol              | Parameter   | Minimum | Maximum | Unit | Notes       |
|---------------------|---|---------|---------|------|-------------|
| V <sub>CC</sub>     | V <sub>CC</sub> relative to V <sub>SS</sub>   | -0.3    | +7.0    | V    |             |
| V <sub>T</sub>      | DC voltage applied on any pin excluding V <sub>CC</sub> relative to V <sub>SS</sub> | -0.3    | +7.0    | V    |             |
| T <sub>OPR</sub>    | Operating ambient temperature   | -20     | +70     | °C   | Commercial  |
| T <sub>STG</sub>    | Storage temperature   | -55     | +125    | °C   |             |
| T <sub>SOLDER</sub> | Soldering temperature   | -       | +260    | °C   | 10 sec max. |
| T <sub>BIAS</sub>   | Temperature under bias  | -40     | +85     | °C   |             |

**Note:** Permanent device damage may occur if **Absolute Maximum Ratings** are exceeded. Functional operation should be limited to the Recommended DC Operating Conditions detailed in this data sheet. Exposure to conditions beyond the operational limits for extended periods of time may affect device reliability.

## DC Thresholds (T<sub>A</sub> = T<sub>OPR</sub>; V<sub>CC</sub> ±10%)

| Symbol             | Parameter                                    | Rating  | Tolerance | Unit | Notes   |
|--------------------|--|---|-----------|------|---|
| V <sub>SNSHI</sub> | High threshold at SNS resulting in MOD = Low | 0.05 * V <sub>CC</sub>                                | ±0.025    | V    |   |
| V <sub>SNSLO</sub> | Low threshold at SNS resulting in MOD = High | 0.04 * V <sub>CC</sub>                                | ±0.025    | V    |   |
| V <sub>LTF</sub>   | Low-temperature fault                        | 0.4 * V <sub>CC</sub>                                 | ±0.030    | V    | V <sub>TEMP</sub> ≥ V <sub>LTF</sub> inhibits/terminates charge |
| V <sub>HTF</sub>   | High-temperature fault                       | (1/3 * V <sub>LTF</sub> ) + (2/3 * V <sub>TCO</sub> ) | ±0.030    | V    | V <sub>TEMP</sub> ≤ V <sub>HTF</sub> inhibits charge            |
| V <sub>EDV</sub>   | End-of-discharge voltage                     | 0.4 * V <sub>CC</sub>                                 | ±0.030    | V    | V <sub>CELL</sub> < V <sub>EDV</sub> inhibits fast charge       |
| V <sub>MCV</sub>   | Maximum cell voltage                         | 0.8 * V <sub>CC</sub>                                 | ±0.030    | V    | V <sub>CELL</sub> > V <sub>MCV</sub> inhibits/terminates charge |
| V <sub>THERM</sub> | TS input change for ΔT/Δt detection          | -16   | ±4        | mV   | V <sub>CC</sub> = 5V, T <sub>A</sub> = 25°C                     |
| -ΔV                | BAT input change for -ΔV detection           | -12   | ±4        | mV   | V <sub>CC</sub> = 5V, T <sub>A</sub> = 25°C                     |
| PVD                | BAT input change for PVD detection           | -6  | ±2        | mV   | V <sub>CC</sub> = 5V, T <sub>A</sub> = 25°C                     |

## bq2004E/H

### Recommended DC Operating Conditions (TA = TOPR)

| Symbol            | Condition   | Minimum               | Typical | Maximum               | Unit | Notes   |
|-------------------|---|-----------------------|---------|-----------------------|------|---|
| V <sub>CC</sub>   | Supply voltage  | 4.5                   | 5.0     | 5.5                   | V    |   |
| V <sub>BAT</sub>  | Battery input   | 0                     | -       | V <sub>CC</sub>       | V    |   |
| V <sub>CELL</sub> | BAT voltage potential                                 | 0                     | -       | V <sub>CC</sub>       | V    | V <sub>BAT</sub> - V <sub>SNS</sub>   |
| V <sub>TS</sub>   | Thermistor input                                      | 0                     | -       | V <sub>CC</sub>       | V    |   |
| V <sub>TEMP</sub> | TS voltage potential                                  | 0                     | -       | V <sub>CC</sub>       | V    | V <sub>TS</sub> - V <sub>SNS</sub>  |
| V <sub>TCO</sub>  | Temperature cutoff                                    | 0.2 * V <sub>CC</sub> | -       | 0.4 * V <sub>CC</sub> | V    | Valid ΔT/Δt range   |
| V <sub>IH</sub>   | Logic input high                                      | 2.0                   | -       | -                     | V    | DCMD, INH   |
|                   | Logic input high                                      | V <sub>CC</sub> - 0.3 | -       | -                     | V    | TM <sub>1</sub> , TM <sub>2</sub> , DSEL, VSEL  |
| V <sub>IL</sub>   | Logic input low                                       | -                     | -       | 0.8                   | V    | DCMD, INH   |
|                   | Logic input low                                       | -                     | -       | 0.3                   | V    | TM <sub>1</sub> , TM <sub>2</sub> , DSEL, VSEL  |
| V <sub>OH</sub>   | Logic output high                                     | V <sub>CC</sub> - 0.8 | -       | -                     | V    | DIS, MOD, LED <sub>1</sub> , LED <sub>2</sub> ,<br>I <sub>OH</sub> ≤ -10mA  |
| V <sub>OL</sub>   | Logic output low                                      | -                     | -       | 0.8                   | V    | DIS, MOD, LED <sub>1</sub> , LED <sub>2</sub> ,<br>I <sub>OL</sub> ≤ 10mA   |
| I <sub>CC</sub>   | Supply current  | -                     | 1       | 3                     | mA   | Outputs unloaded  |
| I <sub>SB</sub>   | Standby current                                       | -                     | -       | 1                     | μA   | INH = V <sub>IL</sub>   |
| I <sub>OH</sub>   | DIS, LED <sub>1</sub> , LED <sub>2</sub> , MOD source | -10                   | -       | -                     | mA   | @V <sub>OH</sub> = V <sub>CC</sub> - 0.8V   |
| I <sub>OL</sub>   | DIS, LED <sub>1</sub> , LED <sub>2</sub> , MOD sink   | 10                    | -       | -                     | mA   | @V <sub>OL</sub> = V <sub>SS</sub> + 0.8V   |
| I <sub>L</sub>    | Input leakage   | -                     | -       | ±1                    | μA   | INH, BAT, V = V <sub>SS</sub> to V <sub>CC</sub>  |
|                   | Input leakage   | 50                    | -       | 400                   | μA   | DCMD, V = V <sub>SS</sub> to V <sub>CC</sub>  |
| I <sub>IL</sub>   | Logic input low source                                | -                     | -       | 70                    | μA   | TM <sub>1</sub> , TM <sub>2</sub> , DSEL, VSEL,<br>V = V <sub>SS</sub> to V <sub>SS</sub> + 0.3V                        |
| I <sub>IH</sub>   | Logic input high source                               | -70                   | -       | -                     | μA   | TM <sub>1</sub> , TM <sub>2</sub> , DSEL, VSEL,<br>V = V <sub>CC</sub> - 0.3V to V <sub>CC</sub>                        |
| I <sub>IZ</sub>   | Tri-state   | -2                    | -       | 2                     | μA   | TM <sub>1</sub> , TM <sub>2</sub> , DSEL, and VSEL<br>should be left disconnected<br>(floating) for Z logic input state |

**Note:** All voltages relative to V<sub>SS</sub> except as noted.

## Impedance

| Symbol           | Parameter               | Minimum | Typical | Maximum | Unit |
|------------------|-------------------------|---------|---------|---------|------|
| R <sub>BAT</sub> | Battery input impedance | 50      | -       | -       | MΩ   |
| R <sub>TS</sub>  | TS input impedance      | 50      | -       | -       | MΩ   |
| R <sub>TCO</sub> | TCO input impedance     | 50      | -       | -       | MΩ   |
| R <sub>SNS</sub> | SNS input impedance     | 50      | -       | -       | MΩ   |

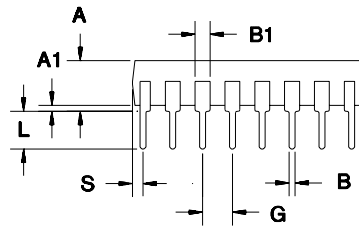
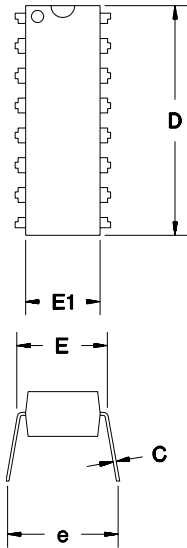
## Timing (T<sub>A</sub> = 0 to +70°C; V<sub>CC</sub> ±10%)

| Symbol           | Parameter  | Minimum | Typical | Maximum | Unit | Notes   |
|------------------|--|---------|---------|---------|------|---|
| t <sub>PW</sub>  | Pulse width for $\overline{\text{DCMD}}$ and INH pulse command | 1       | -       | -       | μs   | Pulse start for charge or discharge before charge               |
| d <sub>FCV</sub> | Time base variation  | -16     | -       | 16      | %    | V <sub>CC</sub> = 4.75V to 5.25V                                |
| f <sub>REG</sub> | MOD output regulation frequency                                | -       | -       | 300     | kHz  |   |
| t <sub>MV</sub>  | Maximum voltage termination time limit                         | 1       | -       | 2       | s    | Time limit to distinguish battery removed from charge complete. |

**Note:** Typical is at T<sub>A</sub> = 25°C, V<sub>CC</sub> = 5.0V.

# bq2004E/H

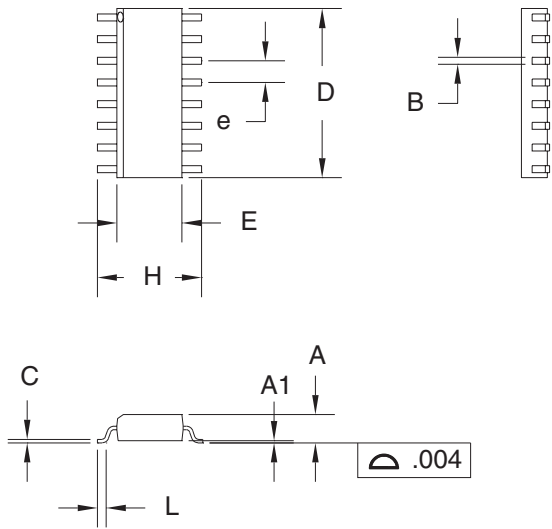
## 16-Pin DIP Narrow (PN)



## 16-Pin PN (0.300" DIP)

| Dimension | Inches |       | Millimeters |       |
|-----------|--------|-------|-------------|-------|
|           | Min.   | Max.  | Min.        | Max.  |
| A         | 0.160  | 0.180 | 4.06        | 4.57  |
| A1        | 0.015  | 0.040 | 0.38        | 1.02  |
| B         | 0.015  | 0.022 | 0.38        | 0.56  |
| B1        | 0.055  | 0.065 | 1.40        | 1.65  |
| C         | 0.008  | 0.013 | 0.20        | 0.33  |
| D         | 0.740  | 0.770 | 18.80       | 19.56 |
| E         | 0.300  | 0.325 | 7.62        | 8.26  |
| E1        | 0.230  | 0.280 | 5.84        | 7.11  |
| e         | 0.300  | 0.370 | 7.62        | 9.40  |
| G         | 0.090  | 0.110 | 2.29        | 2.79  |
| L         | 0.115  | 0.150 | 2.92        | 3.81  |
| S         | 0.020  | 0.040 | 0.51        | 1.02  |

16-Pin SOIC Narrow (SN)



16-Pin SN (0.150" SOIC)

| Dimension | Inches |       | Millimeters |       |
|-----------|--------|-------|-------------|-------|
|           | Min.   | Max.  | Min.        | Max.  |
| A         | 0.060  | 0.070 | 1.52        | 1.78  |
| A1        | 0.004  | 0.010 | 0.10        | 0.25  |
| B         | 0.013  | 0.020 | 0.33        | 0.51  |
| C         | 0.007  | 0.010 | 0.18        | 0.25  |
| D         | 0.385  | 0.400 | 9.78        | 10.16 |
| E         | 0.150  | 0.160 | 3.81        | 4.06  |
| e         | 0.045  | 0.055 | 1.14        | 1.40  |
| H         | 0.225  | 0.245 | 5.72        | 6.22  |
| L         | 0.015  | 0.035 | 0.38        | 0.89  |

## bq2004E/H

---

### Data Sheet Revision History

| Change No. | Page No. | Description  | Nature of Change                    |
|------------|----------|--|-------------------------------------|
| 1          | All      | Combined bq2004E and bq2004H, revised and expanded format of this data sheet | Clarification                       |
| 2          | 7        | Separated bq2004E and bq2004H in Table 2, LED Output Summary                 | Clarification                       |
| 3          | 5        | Description of charge-pending state  | Clarification                       |
| 4          |          |  |                                     |
| 5          | 9        | Corrected $V_{SNSLO}$ tolerance  | Was: $\pm 0.010$<br>Is: $\pm 0.025$ |

**Note:** Change 1 = Oct. 1997 B changes from Sept. 1996 (bq2004E), Feb. 1997 (bq2004H).  
Change 2 = Feb. 1998 C changes from Oct. 1997 B.  
Change 3 = Dec. 1998 D changes from Feb. 1998 C.  
Change 4 = June 1999 E changes from Dec. 1998 D.  
Change 5 = Apr. 2005 F changes from June 1999 E.

**Ordering Information**

**bq2004**



**Package Option:**

PN = 16-pin narrow plastic DIP  
SN = 16-pin narrow SOIC

**Device:**

E = bq2004E Fast-Charge IC  
H = bq2004H Fast-Charge IC

**PACKAGING INFORMATION**

| Orderable Device | Status<br>(1) | Package Type | Package Drawing | Pins | Package Qty | Eco Plan<br>(2)         | Lead/Ball Finish<br>(6) | MSL Peak Temp<br>(3) | Op Temp (°C) | Device Marking<br>(4/5) | Samples                 |
|------------------|---------------|--------------|-----------------|------|-------------|-------------------------|-------------------------|----------------------|--------------|-------------------------|-------------------------|
| BQ2004EPN        | NRND          | PDIP         | N               | 16   | 25          | Green (RoHS & no Sb/Br) | CU NIPDAU               | N / A for Pkg Type   | -20 to 70    | 2004EPN<br>-A6          |                         |
| BQ2004EPNG4      | NRND          | PDIP         | N               | 16   | 25          | Green (RoHS & no Sb/Br) | CU NIPDAU               | N / A for Pkg Type   | -20 to 70    | 2004EPN<br>-A6          |                         |
| BQ2004ESN        | ACTIVE        | SOIC         | D               | 16   | 40          | Green (RoHS & no Sb/Br) | CU NIPDAU               | Level-1-260C-UNLIM   | -20 to 70    | 2004E<br>(-A6, A6)      | <a href="#">Samples</a> |
| BQ2004ESNTR      | ACTIVE        | SOIC         | D               | 16   | 2500        | Green (RoHS & no Sb/Br) | CU NIPDAU               | Level-1-260C-UNLIM   | -20 to 70    | 2004E<br>(-A6, A6)      | <a href="#">Samples</a> |
| BQ2004ESNTRG4    | ACTIVE        | SOIC         | D               | 16   | 2500        | Green (RoHS & no Sb/Br) | CU NIPDAU               | Level-1-260C-UNLIM   | -20 to 70    | 2004E<br>(-A6, A6)      | <a href="#">Samples</a> |
| BQ2004HPN        | NRND          | PDIP         | N               | 16   | 25          | Green (RoHS & no Sb/Br) | CU NIPDAU               | N / A for Pkg Type   | -20 to 70    | 2004HPN<br>-A7          |                         |
| BQ2004HSN        | ACTIVE        | SOIC         | D               | 16   | 40          | Green (RoHS & no Sb/Br) | CU NIPDAU               | Level-1-260C-UNLIM   | -20 to 70    | 2004H<br>(-A7, A7)      | <a href="#">Samples</a> |
| BQ2004HSNTR      | ACTIVE        | SOIC         | D               | 16   | 2500        | Green (RoHS & no Sb/Br) | CU NIPDAU               | Level-1-260C-UNLIM   | -20 to 70    | 2004H<br>(-A7, A7)      | <a href="#">Samples</a> |

(1) The marketing status values are defined as follows:

**ACTIVE:** Product device recommended for new designs.

**LIFEBUY:** TI has announced that the device will be discontinued, and a lifetime-buy period is in effect.

**NRND:** Not recommended for new designs. Device is in production to support existing customers, but TI does not recommend using this part in a new design.

**PREVIEW:** Device has been announced but is not in production. Samples may or may not be available.

**OBSOLETE:** TI has discontinued the production of the device.

(2) **RoHS:** TI defines "RoHS" to mean semiconductor products that are compliant with the current EU RoHS requirements for all 10 RoHS substances, including the requirement that RoHS substance do not exceed 0.1% by weight in homogeneous materials. Where designed to be soldered at high temperatures, "RoHS" products are suitable for use in specified lead-free processes. TI may reference these types of products as "Pb-Free".

**RoHS Exempt:** TI defines "RoHS Exempt" to mean products that contain lead but are compliant with EU RoHS pursuant to a specific EU RoHS exemption.

**Green:** TI defines "Green" to mean the content of Chlorine (Cl) and Bromine (Br) based flame retardants meet JS709B low halogen requirements of <=1000ppm threshold. Antimony trioxide based flame retardants must also meet the <=1000ppm threshold requirement.

(3) MSL, Peak Temp. - The Moisture Sensitivity Level rating according to the JEDEC industry standard classifications, and peak solder temperature.

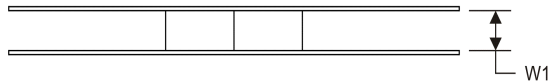
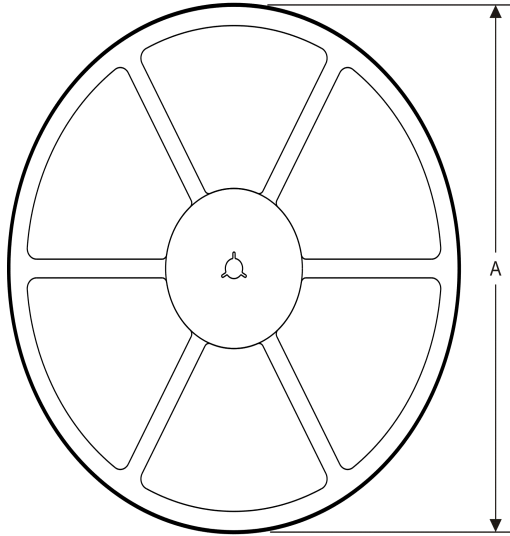
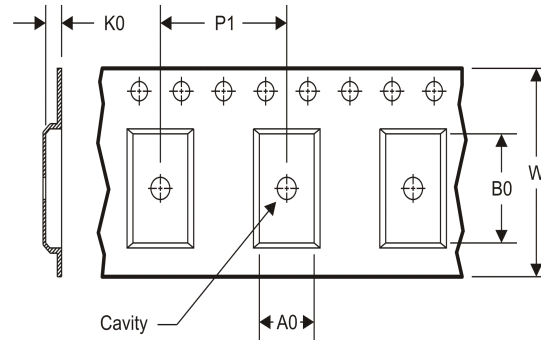
(4) There may be additional marking, which relates to the logo, the lot trace code information, or the environmental category on the device.

<sup>(5)</sup> Multiple Device Markings will be inside parentheses. Only one Device Marking contained in parentheses and separated by a "-" will appear on a device. If a line is indented then it is a continuation of the previous line and the two combined represent the entire Device Marking for that device.

<sup>(6)</sup> Lead/Ball Finish - Orderable Devices may have multiple material finish options. Finish options are separated by a vertical ruled line. Lead/Ball Finish values may wrap to two lines if the finish value exceeds the maximum column width.

**Important Information and Disclaimer:**The information provided on this page represents TI's knowledge and belief as of the date that it is provided. TI bases its knowledge and belief on information provided by third parties, and makes no representation or warranty as to the accuracy of such information. Efforts are underway to better integrate information from third parties. TI has taken and continues to take reasonable steps to provide representative and accurate information but may not have conducted destructive testing or chemical analysis on incoming materials and chemicals. TI and TI suppliers consider certain information to be proprietary, and thus CAS numbers and other limited information may not be available for release.

In no event shall TI's liability arising out of such information exceed the total purchase price of the TI part(s) at issue in this document sold by TI to Customer on an annual basis.

**TAPE AND REEL INFORMATION**
**REEL DIMENSIONS**

**TAPE DIMENSIONS**


|    |   |
|----|---|
| A0 | Dimension designed to accommodate the component width     |
| B0 | Dimension designed to accommodate the component length    |
| K0 | Dimension designed to accommodate the component thickness |
| W  | Overall width of the carrier tape                         |
| P1 | Pitch between successive cavity centers                   |

**TAPE AND REEL INFORMATION**

\*All dimensions are nominal

| Device      | Package Type | Package Drawing | Pins | SPQ  | Reel Diameter (mm) | Reel Width W1 (mm) | A0 (mm) | B0 (mm) | K0 (mm) | P1 (mm) | W (mm) | Pin1 Quadrant |
|-------------|--------------|-----------------|------|------|--------------------|--------------------|---------|---------|---------|---------|--------|---------------|
| BQ2004ESNTR | SOIC         | D               | 16   | 2500 | 330.0              | 16.4               | 6.5     | 10.3    | 2.1     | 8.0     | 16.0   | Q1            |
| BQ2004HSNTR | SOIC         | D               | 16   | 2500 | 330.0              | 16.4               | 6.5     | 10.3    | 2.1     | 8.0     | 16.0   | Q1            |

**TAPE AND REEL BOX DIMENSIONS**


\*All dimensions are nominal

| Device      | Package Type | Package Drawing | Pins | SPQ  | Length (mm) | Width (mm) | Height (mm) |
|-------------|--------------|-----------------|------|------|-------------|------------|-------------|
| BQ2004ESNTR | SOIC         | D               | 16   | 2500 | 367.0       | 367.0      | 38.0        |
| BQ2004HSNTR | SOIC         | D               | 16   | 2500 | 367.0       | 367.0      | 38.0        |

D (R-PDSO-G16)

PLASTIC SMALL OUTLINE



- NOTES:
- A. All linear dimensions are in inches (millimeters).
  - B. This drawing is subject to change without notice.
  - C. Body length does not include mold flash, protrusions, or gate burrs. Mold flash, protrusions, or gate burrs shall not exceed 0.006 (0,15) each side.
  - D. Body width does not include interlead flash. Interlead flash shall not exceed 0.017 (0,43) each side.
  - E. Reference JEDEC MS-012 variation AC.

D (R-PDSO-G16)

PLASTIC SMALL OUTLINE



4211283-4/E 08/12

- NOTES:
- All linear dimensions are in millimeters.
  - This drawing is subject to change without notice.
  - Publication IPC-7351 is recommended for alternate designs.
  - Laser cutting apertures with trapezoidal walls and also rounding corners will offer better paste release. Customers should contact their board assembly site for stencil design recommendations. Refer to IPC-7525 for other stencil recommendations.
  - Customers should contact their board fabrication site for solder mask tolerances between and around signal pads.

N (R-PDIP-T\*\*)

PLASTIC DUAL-IN-LINE PACKAGE

16 PINS SHOWN



- NOTES:
- A. All linear dimensions are in inches (millimeters).
  - B. This drawing is subject to change without notice.
  - Falls within JEDEC MS-001, except 18 and 20 pin minimum body length (Dim A).
  - The 20 pin end lead shoulder width is a vendor option, either half or full width.

## IMPORTANT NOTICE AND DISCLAIMER

TI PROVIDES TECHNICAL AND RELIABILITY DATA (INCLUDING DATASHEETS), DESIGN RESOURCES (INCLUDING REFERENCE DESIGNS), APPLICATION OR OTHER DESIGN ADVICE, WEB TOOLS, SAFETY INFORMATION, AND OTHER RESOURCES "AS IS" AND WITH ALL FAULTS, AND DISCLAIMS ALL WARRANTIES, EXPRESS AND IMPLIED, INCLUDING WITHOUT LIMITATION ANY IMPLIED WARRANTIES OF MERCHANTABILITY, FITNESS FOR A PARTICULAR PURPOSE OR NON-INFRINGEMENT OF THIRD PARTY INTELLECTUAL PROPERTY RIGHTS.

These resources are intended for skilled developers designing with TI products. You are solely responsible for (1) selecting the appropriate TI products for your application, (2) designing, validating and testing your application, and (3) ensuring your application meets applicable standards, and any other safety, security, or other requirements. These resources are subject to change without notice. TI grants you permission to use these resources only for development of an application that uses the TI products described in the resource. Other reproduction and display of these resources is prohibited. No license is granted to any other TI intellectual property right or to any third party intellectual property right. TI disclaims responsibility for, and you will fully indemnify TI and its representatives against, any claims, damages, costs, losses, and liabilities arising out of your use of these resources.

TI's products are provided subject to TI's Terms of Sale ([www.ti.com/legal/termsofsale.html](http://www.ti.com/legal/termsofsale.html)) or other applicable terms available either on [ti.com](http://ti.com) or provided in conjunction with such TI products. TI's provision of these resources does not expand or otherwise alter TI's applicable warranties or warranty disclaimers for TI products.

Mailing Address: Texas Instruments, Post Office Box 655303, Dallas, Texas 75265  
Copyright © 2018, Texas Instruments Incorporated

## Looking for pricing, stock, or lifecycle information?

Click below to explore more details on WIN SOURCE:

 [View BQ2004ESNTRG4](#) on WIN SOURCE

 [Texas Instruments](#) Information

## Optimize Your Supply Chain with WIN SOURCE Solutions

-  Global Sourcing Solution
-  Obsolete Management
-  Cost Control Management
-  Shortage Management
-  Alternative Solution
-  Excess Inventory Management