

1000pF, 2KV

NOTES

1.0 COMPLIES WITH DIRECTIVE 2002/95/EC THE ELIMINATION OF HAZARDOUS SUBSTANCES IN ELECTRONIC PRODUCTS

2.0 UNUSED PIN P7

ELECTRICAL SPECIFICATIONS:

1.0 TURNS RATIO: (P4-P5-P6) : (J3-J6)
(P3-P2-P1) : (J1-J2)

: 1CT : 1CT ± 3%
: 1CT : 1CT ± 3%

2.0 INDUCTANCE: (P4-P6)
(P3-P1)

: 350uH MIN. @ 0.1V, 100KHz, 8mA DC Bias
: 350uH MIN. @ 0.1V, 100KHz, 8mA DC Bias

3.0 LEAKAGE INDUCTANCE: P6-P4 (WITH J6 AND J3 SHORT)
P3-P1 (WITH J2 AND J1 SHORT)

: 0.3 MAX. @ 1MHz
: 0.3 MAX. @ 1MHz

4.0 INTERWINDING CAPACITANCE: (P6,P5,P4) TO (J6,J3)
(P3,P2,P1) TO (J2,J1)

: 30pf MAX @ 1MHz
: 30pf MAX. @ 1MHz

5.0 DC RESISTANCE: (J6-J3)=(J2-J1)

: 1.35 ohms Max.

Bel Stewart Co
11118 Susquehanna Trail
Glen Rock, Pa 17327-9712
717.234.7512

DRW
SHEET 1 OF 4

THIS DRAWING AND THE SUBJECT MATTER SHOWN THEREON ARE CONFIDENTIAL AND PROPERTY OF BEL STEWART CONNECTOR AND SHALL NOT BE REPRODUCED, COPIED, OR USED IN ANY MANNER WITHOUT PRIOR WRITTEN CONSENT OF BEL STEWART CONNECTOR. THE SUBJECT MATTER MAY BE PATENTED OR A PATENT MAY BE PENDING.

6.0 RETURN LOSS: (P4-P6)=100 OHMS AND (P1-P3)=100 OHM REF.

1MHz TO 30MHz
60MHz TO 80MHz

: 18dB MIN.
: 12dB MIN.

NOTE: 100 OHMS CONNECTED TO (J2-J1) OR (J3-J6).

7.0 DIELECTRIC WITHSTAND: (J1, J2) TO (P1, P3)
(J3, J6) TO (P4, P6)

: 1500 VAC
: 1500 VAC

8.0 INSERTION LOSS: RS=RL=100 ohms
100KHz TO 100MHz

: 1.1 dB TYP

9.0 RISE TIME: RS=100 OHMS AND RL = 100 OHMS

OUTPUT VOLTAGE = 1 V peak
PULSE WIDTH= 112ns

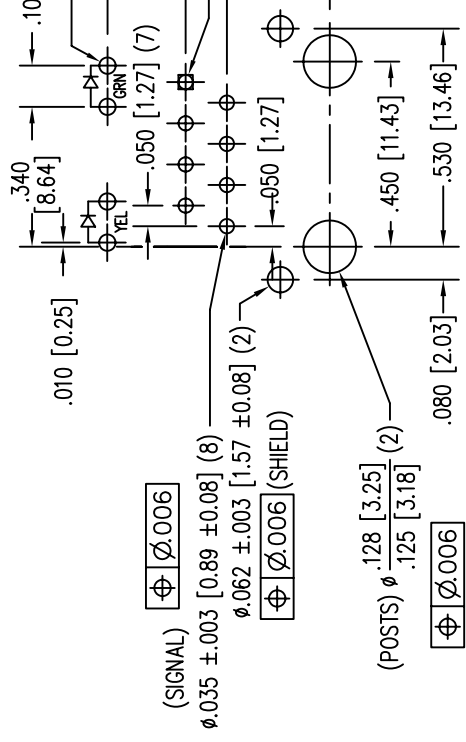
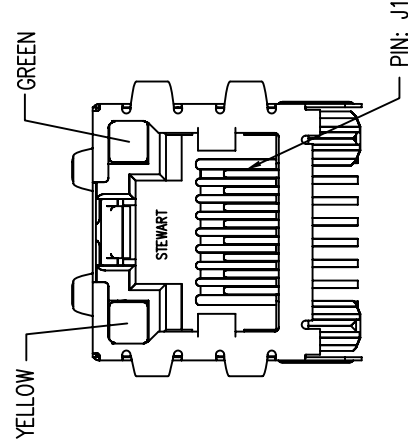
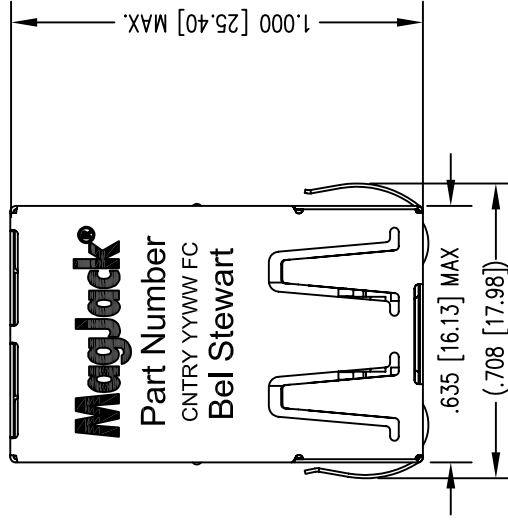
: 3.0 nS MAX
: 3.0 nS MAX

10.0 CROSS TALK: 1-100 MHz

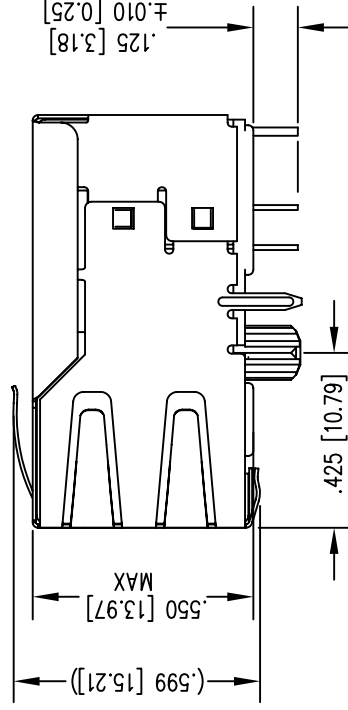
: 40 dB TYP

11.0 COMMON TO COMMON MODE ATTENUATION: 30MHz TO 100MHz

: 35dB TYP



P.C.B. RECOMMENDED HOLE LAYOUT
 SEEN FROM COMPONENT SIDE
 ALL CENTERLINE DIMENSIONS ARE



NOTES:

- CONNECTOR MATERIALS:
HOUSING: THERMOPLASTIC
CONTACT/SHIELD: COPPER
SHIELD PLATING: NICKEL
CONTACT PLATING: SOLDER
- PIN NOT ELECTRICALLY CONNECTED
SEE ELECTRICAL DRAWING
- TOLERANCES COMPLY WITH MIL-STD-203
- ALL TOLERANCES NOT SPECIFIED ARE ±.005
- WAVE SOLDER COMPATIBLE

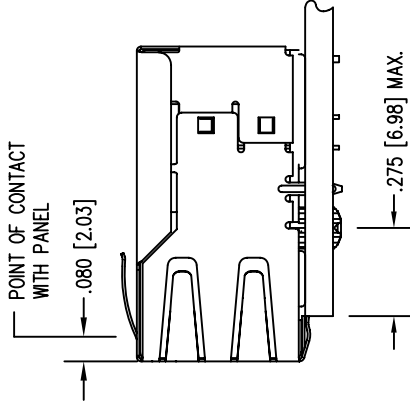
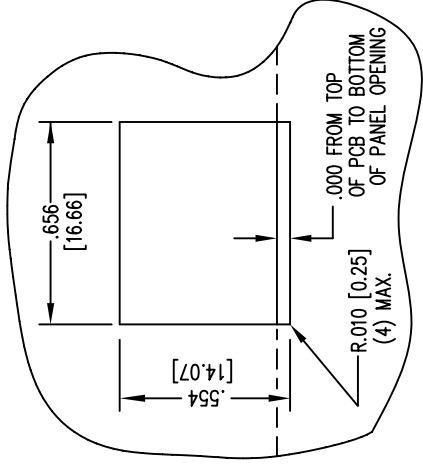
LED SPECIFICATION		
STANDARD LED	WAVELENGTH	FORWARD V (MAX) * (TYP)
GREEN	565 nm	2.5 V 2.2 V
YELLOW	590 nm	2.5 V 2.1 V

*WITH A FORWARD CURRENT OF 20 mA (TYP)

Bel Stewart Co
 11118 Susquehanna Trail
 Glen Rock, Pa 17327-9700
 717.234.7512

THIS DRAWING AND THE SUBJECT MATTER SHOWN THEREON ARE CONFIDENTIAL AND PROPERTY OF BEL STEWART CONNECTOR COMPANY. ANY REPRODUCTION, COPIED, OR USED IN ANY MANNER WITHOUT PRIOR WRITTEN CONSENT OF BEL STEWART CONNECTOR COMPANY IS STRICTLY PROHIBITED. THE SUBJECT MATTER MAY BE PATENTED OR A PATENT MAY BE PENDING.

SHEET 3 OF 4
 DRAWING



1. THE SUGGESTED PANEL OPENING IS INTENDED TO GIVE THE USER A REASONABLE JACKING CAPABILITY. YET MAINTAIN RELIABILITY CAPABILITY.
2. ALL TOLERANCES MUST BE TO BE ± 0.005 [0.127] MAX.



THIS DRAWING AND THE SUBJECT MATTER SHOWN THEREON ARE CONFIDENTIAL AND PROPERTY OF BEL STEWART CONNECTOR AND SHALL NOT BE REPRODUCED, COPIED, OR USED IN ANY MANNER WITHOUT PRIOR WRITTEN CONTENT OF BEL STEWART CONNECTOR. THE SUBJECT MATTER MAY BE PATENTED OR A PATENT MAY BE PENDING.

Bel Stewart Co
 11118 Susquehanna Trail
 Glen Rock, Pa 17327-9712
 717.234.7512

DRW
 SHEET
 4 OF 4

Looking for pricing, stock, or lifecycle information?

Click below to explore more details on WIN SOURCE:

-  [View SI-50158-F on WIN SOURCE](#)
-  [Bel Fuse Inc. Information](#)

Optimize Your Supply Chain with WIN SOURCE Solutions

-  Global Sourcing Solution
-  Obsolete Management
-  Cost Control Management
-  Shortage Management
-  Alternative Solution
-  Excess Inventory Management