



**THE DATASHEET OF
AD7506SQ**



AD7506/AD7507

FEATURES

- R_{ON}: 300Ω**
- Power Dissipation: 1.5mW**
- TTL/DTL/CMOS Direct Interface**
- Break-Before-Make Switching**
- Standard 28-Pin DIPs and 28-Terminal Surface Mount Packages**

GENERAL DESCRIPTION

The AD7506 is a monolithic CMOS 16-channel analog multiplexer packaged in a 28-pin DIP or a 28-terminal surface mount package. It switches a common output to one of 16 inputs, depending on the state of four address lines and an "enable." The AD7507 is identical to the AD7506 except it has two outputs switched to two of 16 inputs depending on three binary address states and an "enable."

ABSOLUTE MAXIMUM RATINGS*

- (T_A = +25°C unless otherwise noted)
- V_{DD} - GND +17V
 - V_{SS} - GND -17V
 - V Between Any Switch Terminals (see Note 1) 25V
 - Digital Input Voltage Range V_{DD} to GND
 - Overvoltage at V_{OUT} (V_S) V_{SS}, V_{DD}
 - Overcurrent (I_S, Continuous One Channel) 20mA
 - Switch Current (I_S, Surge One Channel) 35mA
 - 1ms Duration, 10% Duty Cycle 35mA
 - Power Dissipation (Any Package)
 - Up to +50°C 1000mW
 - Derates above +50°C by 10mW/°C
 - Operating Temperature
 - Commercial (KN Versions) 0 to +70°C
 - Industrial (KQ Versions) -25°C to +85°C
 - Extended (TQ, TE Versions) -55°C to +125°C
 - Storage Temperature -65°C to +150°C
 - Lead Temperature (Soldering, 10sec) +300°C

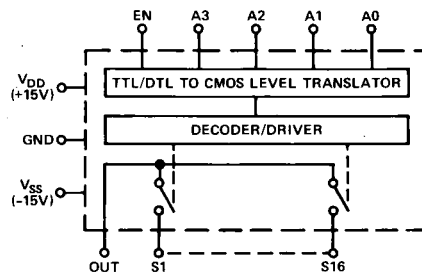
CAUTION:

- ¹Do not apply voltage higher than V_{DD} and V_{SS} to any other terminal, especially when V_{SS} = V_{DD} = 0V all other pins should be at 0V.
- ²The digital control inputs are diode protected; however, permanent damage may occur on unconnected units under high energy electrostatic fields. Keep unused units in conductive foam at all times.
- *Stresses above those listed under "Absolute Maximum Ratings" may cause permanent damage to the device. This is a stress rating only and functional operation of the device at these or any other conditions above those indicated in the operational sections of this specification is not implied. Exposure to absolute maximum rating conditions for extended periods may affect device reliability. Only one Absolute Maximum Rating may be applied at any one time.

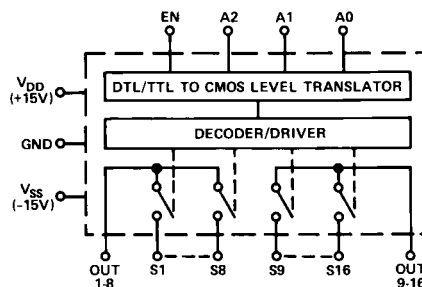
REV. A

Information furnished by Analog Devices is believed to be accurate and reliable. However, no responsibility is assumed by Analog Devices for its use, nor for any infringements of patents or other rights of third parties which may result from its use. No license is granted by implication or otherwise under any patent or patent rights of Analog Devices.

FUNCTIONAL DIAGRAMS



AD7506



AD7507

ORDERING GUIDE

| Model ¹ | Temperature Range | Package Option ² |
|--------------------|-------------------|-----------------------------|
| AD7506KN | 0°C to +70°C | N-28 |
| AD7506KQ | -25°C to +85°C | Q-28 |
| AD7506TQ | -55°C to +125°C | Q-28 |
| AD7506TE | -55°C to +125°C | E-28A |
| AD7507KN | 0°C to +70°C | N-28 |
| AD7507KQ | -25°C to +85°C | Q-28 |
| AD7507TQ | -55°C to +125°C | Q-28 |
| AD7507TE | -55°C to +125°C | E-28A |

NOTES

- ¹To order MIL-STD-883, Class B, processed parts, add/883B to part number. See Analog Devices Military Products Databook (1990) for military data sheet.
- ²N = Plastic DIP; Q = Cerdip; E = Leadless Ceramic Chip Carrier (LCCC).

One Technology Way, P.O. Box 9106, Norwood, MA 02062-9106, U.S.A.
Tel: 617/329-4700 Fax: 617/326-8703 Twx: 710/394-6577
Telex: 924491 Cable: ANALOG NORWOODMASS

AD7506/AD7507 — SPECIFICATIONS ($V_{DD} = +15V$, $V_{SS} = -15V$ unless otherwise noted.)

| Parameter | Version ¹ | Switch Condition | @ +25°C | Over Specified Temperature Range | Test Conditions | |
|--|----------------------|------------------|--|--|---|---|
| ANALOG SWITCH | | | | | | |
| R_{ON} | K T | ON ON | 300Ω typ, 450Ω max 400Ω max | 550Ω max 500Ω max | $V_S = -10V$ to +10V, $I_S = 1mA$ | |
| R_{ON} vs. V_S | All | ON | 15% typ | | $V_S = 0V$, $I_S = 1mA$ | |
| R_{ON} vs. Temperature | All | ON | 0.5%/°C typ | | | |
| ΔR_{ON} Between Switches | All | ON | 4% typ | | | |
| R_{ON} vs. Temperature Between Switches | All | ON | 0.05%/°C typ | | | |
| I_S (OFF) | K T | OFF OFF | 0.05nA typ, 5nA max 0.05nA typ, 1nA max | 50nA max 50nA max | $V_S = -10V$, $V_{OUT} = +10V$ and | |
| I_{OUT} (OFF) | AD7506 AD7507 | K T | OFF OFF | 0.3nA typ, 20nA max 0.3nA typ, 10nA max | 500nA max 500nA max | $V_S = +10V$, $V_{OUT} = -10V$ “Enable” Low |
| | | K T | OFF OFF | 0.3nA typ, 10nA max 0.3nA typ, 5nA max | 250nA max 250nA max | |
| $I_{OUT} - I_S$ (Any Switch ON) | AD7506 AD7507 | K T | ON ON | 0.3nA typ, 20nA max 0.3nA typ, 10nA max | 500nA max 500nA max | $V_S = 0V$ |
| | | K T | ON ON | 0.3nA typ, 10nA max 0.3nA typ, 5nA max | 250nA max 250nA max | |
| DIGITAL CONTROL | | | | | | |
| V_{INL} | All | | | 0.8V max | | |
| V_{INH} | All | | | 2.4V min | | |
| I_{INL} or I_{INH} * | All | | 10μA max | 30μA max | | |
| C_{IN} | All | | 3pF typ | | | |
| DYNAMIC CHARACTERISTICS² | | | | | | |
| $t_{TRANSITION}$ | All | | 700ns typ, 1000ns max | | V_{IN} : 0 to 3.0V | |
| t_{OPEN} | All | | 100ns typ | | | |
| t_{ON} (En) | All | | 1.5μs max | | V_{EN} : 0 to 3.0V | |
| t_{OFF} (En) | All | | 1μs max | | | |
| “OFF” Isolation | All | | 70dB typ | | $V_{EN} = 0$, $R_L = 200\Omega$, $C_L = 3.0pF$, $V_S = 3.0V$ rms, $f = 50kHz$ | |
| C_S | All | OFF | 5pF typ | | | |
| C_{OUT} | AD7506 | All | OFF | 40pF typ | | |
| | AD7507 | All | OFF | 20pF typ | | |
| C_{S-OUT} | All | OFF | 0.5pF typ | | | |
| C_{SS} Between Any Two Switches | All | OFF | 0.5pF typ | | | |
| POWER SUPPLY | | | | | | |
| I_{DD} | K T | OFF | 0.05mA typ, 1mA max | 2mA max | All Digital Inputs Low | |
| | | OFF | 0.05mA typ, 1mA max | | | |
| I_{SS} | K T | OFF | 0.05mA typ, 1mA max | 2mA max | | |
| | | OFF | 0.05mA typ, 1mA max | | | |
| I_{DD} | K T | ON | 0.3mA typ, 1mA max | 2mA max | All Digital Inputs High | |
| | | ON | 0.3mA typ, 1mA max | | | |
| I_{SS} | K T | ON | 0.05mA typ, 1mA max | 2mA max | | |
| | | ON | 0.05mA typ, 1mA max | | | |

NOTES

¹KN Version specified for 0 to +70°C; KQ Version for -25°C to +85°C; and TQ, TE Versions for -55°C to +125°C.

²Sample tested to ensure compliance.

Specifications subject to change without notice.

CAUTION

ESD (electrostatic discharge) sensitive device. The digital control inputs are diode protected; however, permanent damage may occur on unconnected devices subject to high energy electrostatic fields. Unused devices must be stored in conductive foam or shunts. The protective foam should be discharged to the destination socket before devices are removed.

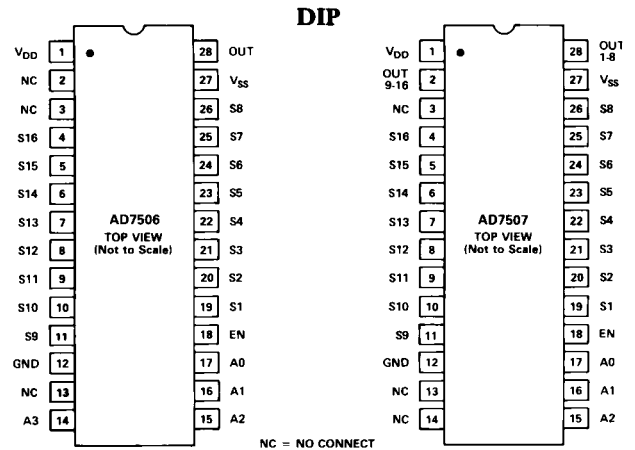


TRUTH TABLES

| AD7506 | | | | | |
|----------------|----------------|----------------|----------------|----------------|------|
| A ₃ | A ₂ | A ₁ | A ₀ | E _N | "ON" |
| 0 | 0 | 0 | 0 | 1 | 1 |
| 0 | 0 | 0 | 1 | 1 | 2 |
| 0 | 0 | 1 | 0 | 1 | 3 |
| 0 | 0 | 1 | 1 | 1 | 4 |
| 0 | 1 | 0 | 0 | 1 | 5 |
| 0 | 1 | 0 | 1 | 1 | 6 |
| 0 | 1 | 1 | 0 | 1 | 7 |
| 0 | 1 | 1 | 1 | 1 | 8 |
| 1 | 0 | 0 | 0 | 1 | 9 |
| 1 | 0 | 0 | 1 | 1 | 10 |
| 1 | 0 | 1 | 0 | 1 | 11 |
| 1 | 0 | 1 | 1 | 1 | 12 |
| 1 | 1 | 0 | 0 | 1 | 13 |
| 1 | 1 | 0 | 1 | 1 | 14 |
| 1 | 1 | 1 | 0 | 1 | 15 |
| 1 | 1 | 1 | 1 | 1 | 16 |
| X | X | X | X | 0 | None |

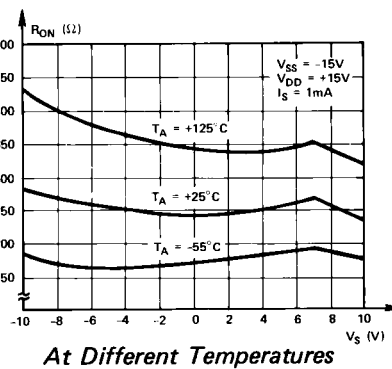
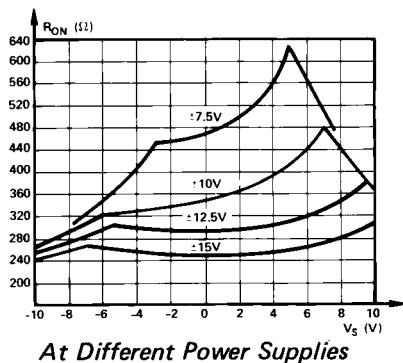
| AD7507 | | | | |
|----------------|----------------|----------------|----------------|--------|
| A ₂ | A ₁ | A ₀ | E _N | "ON" |
| 0 | 0 | 0 | 1 | 1 & 9 |
| 0 | 0 | 1 | 1 | 2 & 10 |
| 0 | 1 | 0 | 1 | 3 & 11 |
| 0 | 1 | 1 | 1 | 4 & 12 |
| 1 | 0 | 0 | 1 | 5 & 13 |
| 1 | 0 | 1 | 1 | 6 & 14 |
| 1 | 1 | 0 | 1 | 7 & 15 |
| 1 | 1 | 1 | 1 | 8 & 16 |
| X | X | X | 0 | None |

PIN CONFIGURATIONS

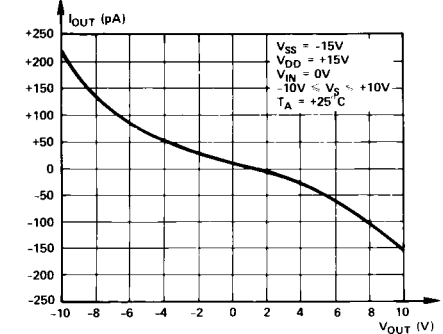


Typical Performance Characteristics

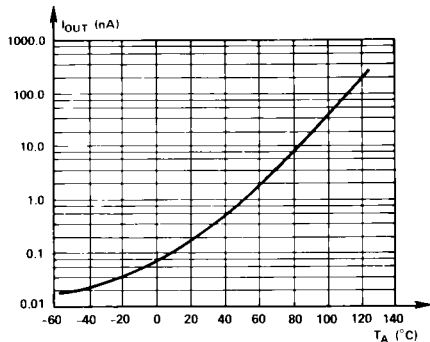
1. R_{ON} vs. V_S



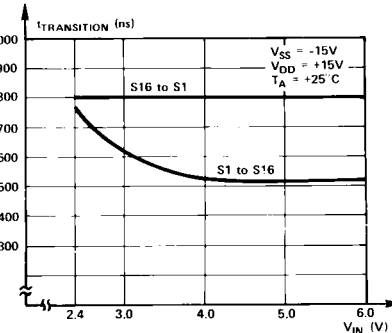
2. I_{OUT} vs. V_{OUT}



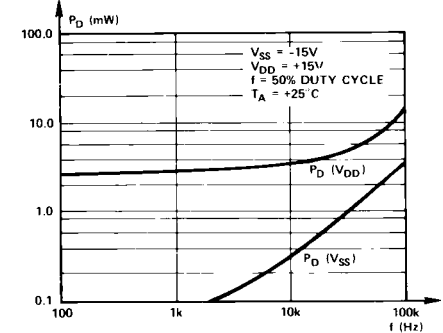
3. I_{OUT} vs. T_A



4. t_{TRANSITION} vs. V_{IN}



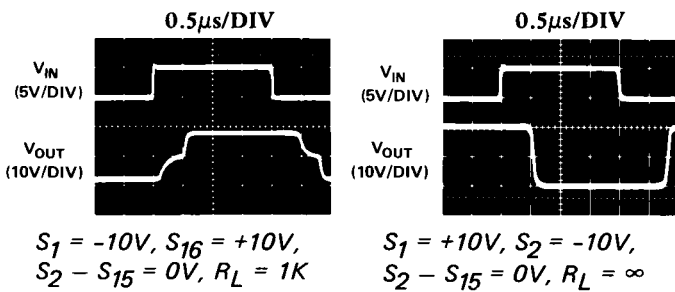
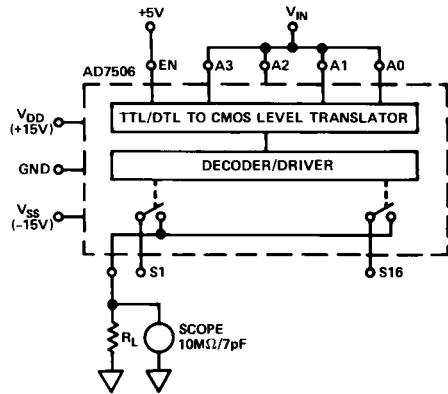
5. P_D vs. Logic Frequency



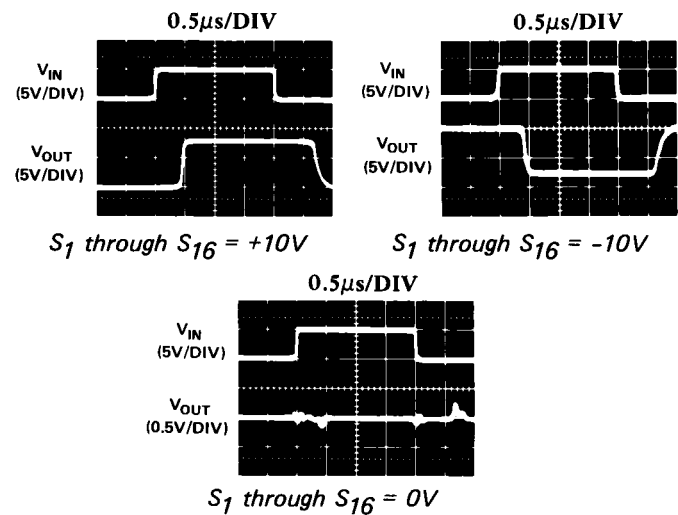
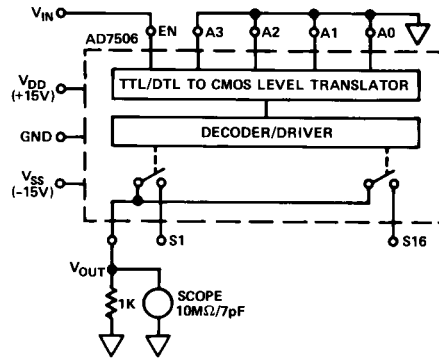
AD7506/AD7507

TYPICAL SWITCHING CHARACTERISTICS

TEST CIRCUIT 1



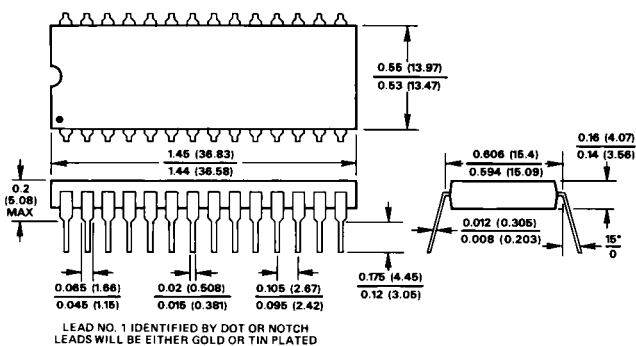
TEST CIRCUIT 2



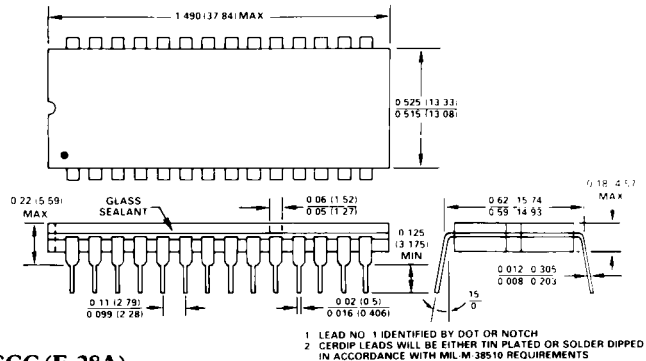
OUTLINE DIMENSIONS

Dimensions shown in inches and (mm).

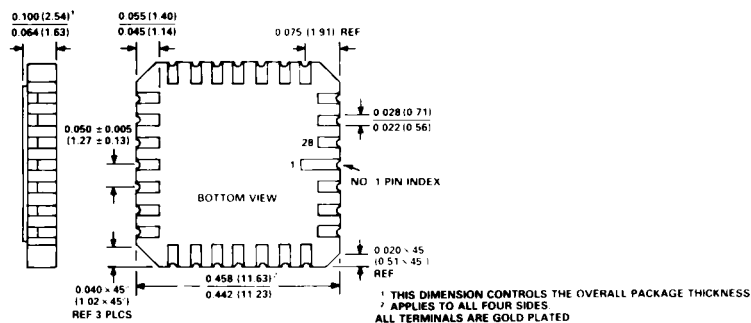
28-Pin Plastic DIP (Suffix N)



28-Pin Cerdip (Q-28)



28-Terminal LCCC (E-28A)




Looking for pricing, stock, or lifecycle information?

Click below to explore more details on WIN SOURCE:

 [View AD7506SQ on WIN SOURCE](#)

 [Analog Devices Inc. Information](#)

Optimize Your Supply Chain with WIN SOURCE Solutions

-  Global Sourcing Solution
-  Obsolete Management
-  Cost Control Management
-  Shortage Management
-  Alternative Solution
-  Excess Inventory Management