



**THE DATASHEET OF**  
**3500**

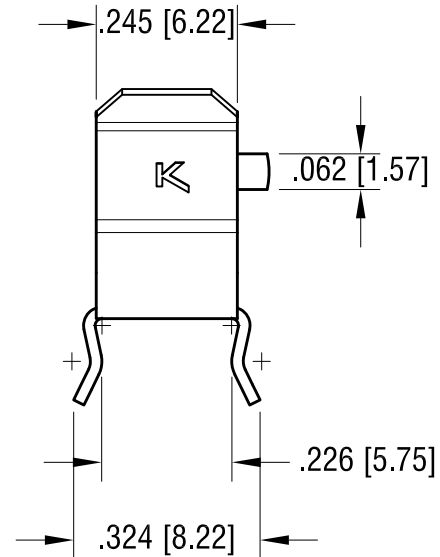
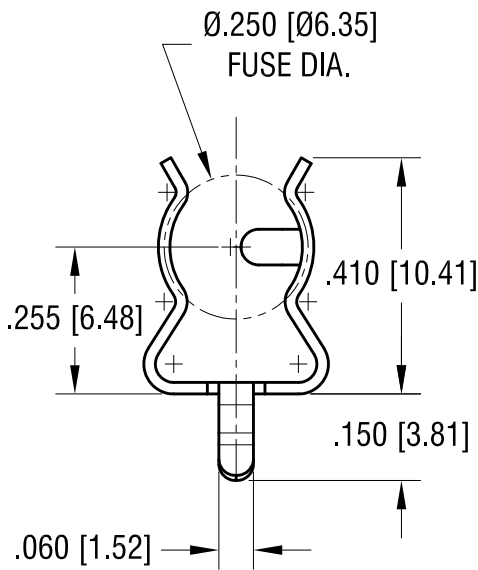
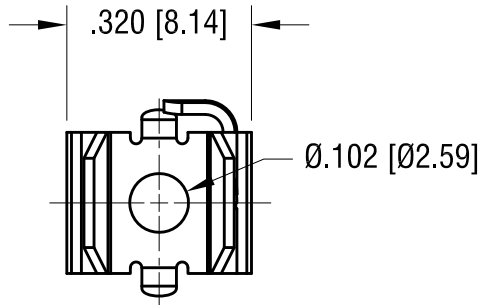
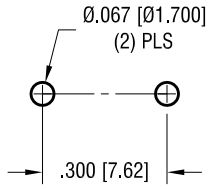


THIS DOCUMENT IS THE PROPERTY OF  
KEYSTONE ELECTRONICS CORP. AND  
SHALL NOT BE REPRODUCED, DISTRIBUTED  
OR USED AS A BASIS FOR MANUFACTURE  
WITHOUT PRIOR WRITTEN PERMISSION  
FROM KEYSTONE ELECTRONICS CORP.

**ACTUAL SIZE**



**MOUNTING PAD LAYOUT**



**NOTE:**

1. CURRENT RATING: 20A MAX.
2. ROHS AND REACH COMPLIANT
3. FILE NUMBER: E354010

**KEYSTONE ELECTRONICS CORP.**



www.keyelco.com • NEW HYDE PARK, NY 11040 • Tel (516) 328-7500

PART NAME		FUSE CLIP FOR 1/4" DIA. FUSE.	
MATERIAL		.020 [0.50] TH'K BRASS	
FINISH		DRN BY	DATE
TIN PLATE		NT	7.19.18
		APP'D	SCALE
			3X
TOLERANCES	INCH [MM]	CODE	DWG NO.
DECIMAL	± .005 [± 0.13]	C	3500
ANGULAR	± 1°		
UNLESS OTHERWISE SPECIFIED			

8.28.19	CHANGE AS PER ECN 19-074	A
DATE	DESCRIPTION	REV.

## Looking for pricing, stock, or lifecycle information?

Click below to explore more details on WIN SOURCE:

-  [View 3500](#) on WIN SOURCE
-  [Keystone Electronics](#) Information

## Optimize Your Supply Chain with WIN SOURCE Solutions

-  Global Sourcing Solution
-  Obsolete Management
-  Cost Control Management
-  Shortage Management
-  Alternative Solution
-  Excess Inventory Management