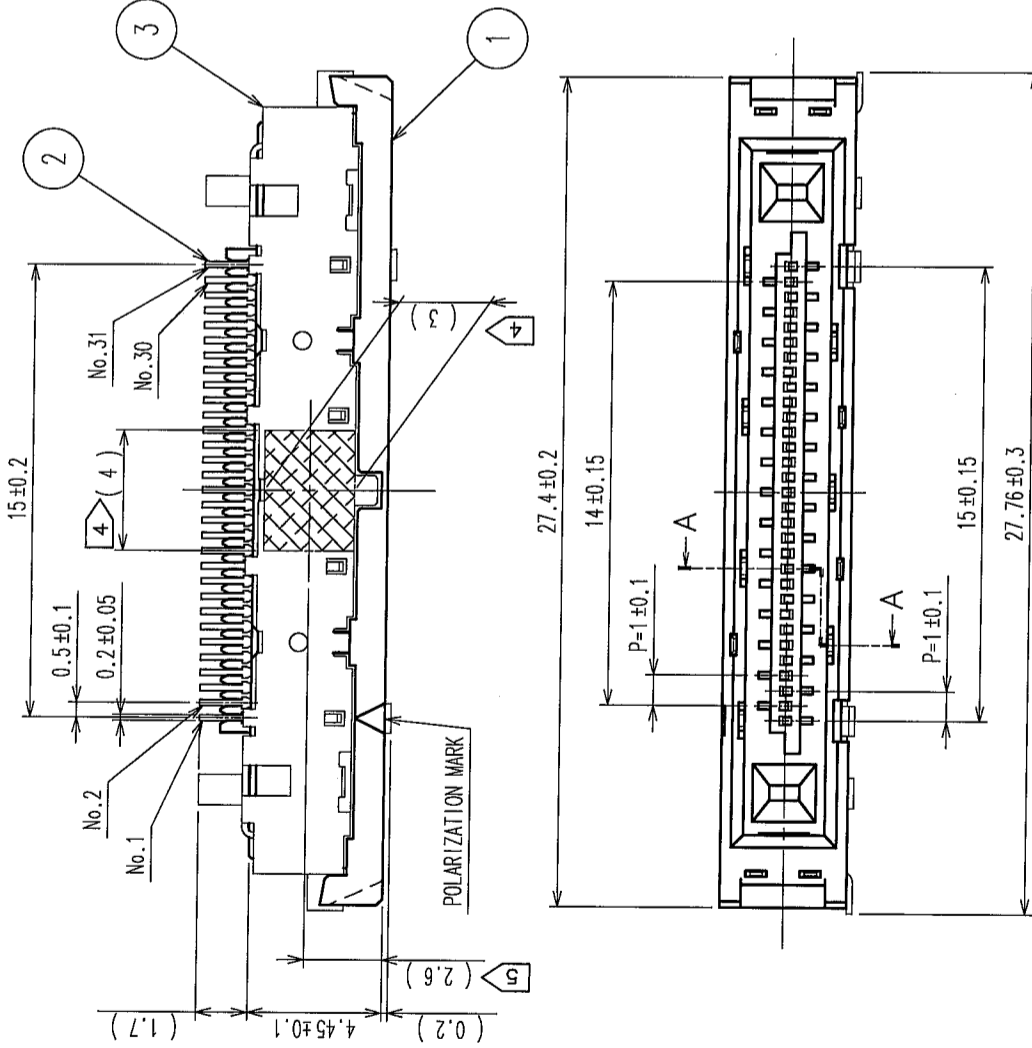




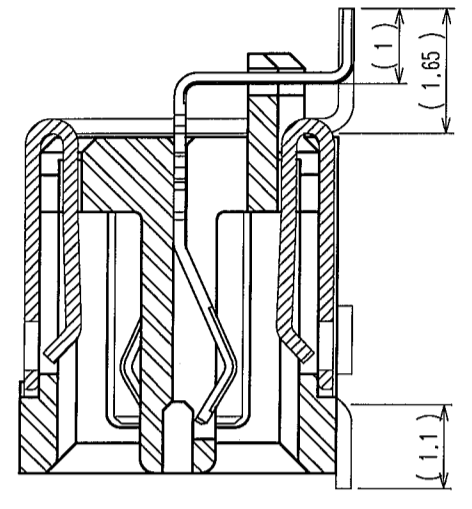
**THE DATASHEET OF
FX15S-31S-0.5SH**



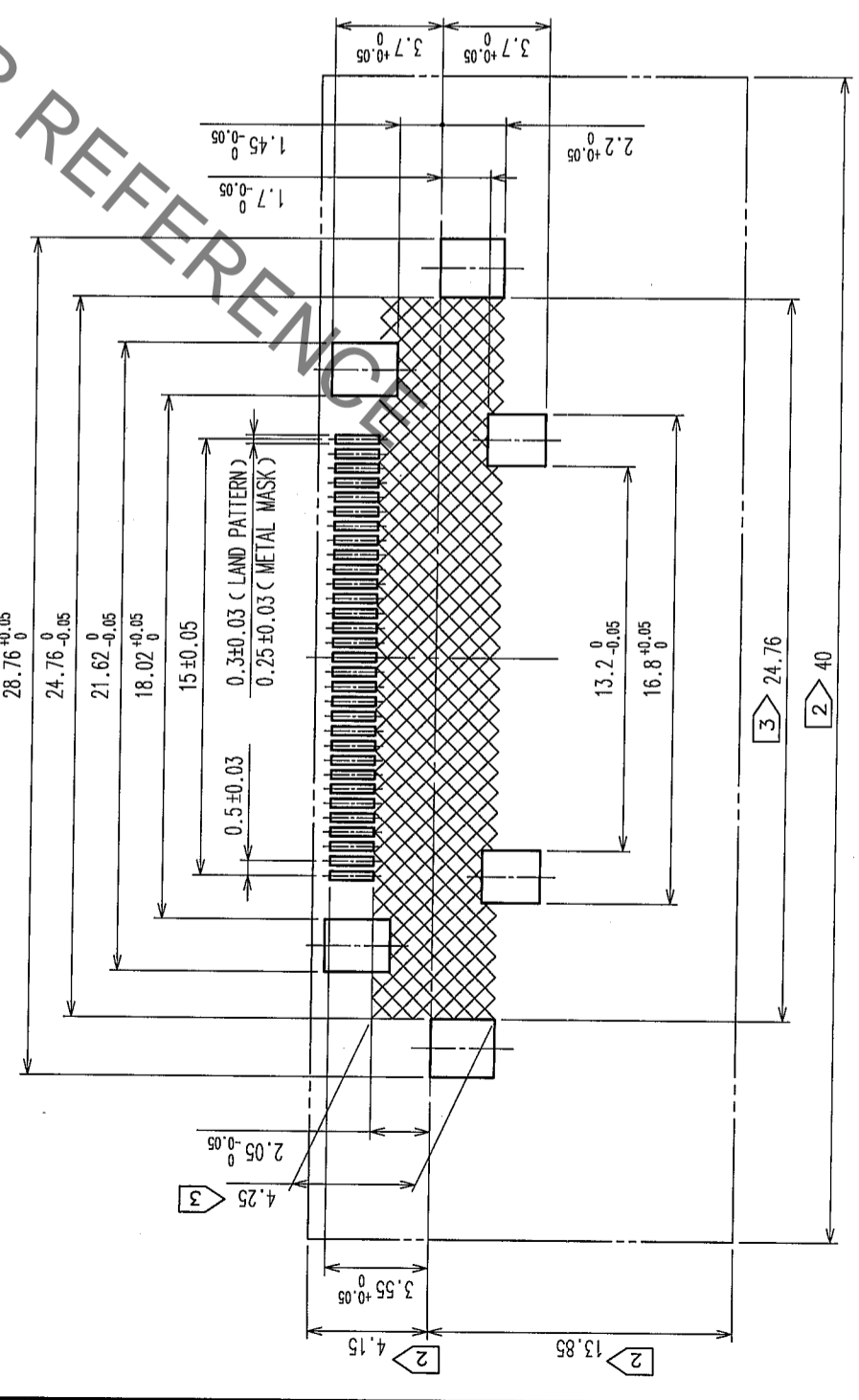
COUNT	DESCRIPTION OF REVISIONS	BY	CHKD	DATE	COUNT	DESCRIPTION OF REVISIONS	BY	CHKD	DATE
1	DIS-F-000562	K.S.H.Y		05.10.31					



AA(10:1) Δ



RECOMMENDED LAND PATTERN DIMENSION OF P.C.B



- NOTE
- 1 LEAD-COPLANARITY OF THIS PRODUCT TO BE 0.1MAX FOR SMT LEAD AND 0.15MAX FOR GROUND PLATE LEAD.
 - 2 DO NOT MOUNT OTHER DEVICES ONTO [] AREA, OR MATINGPAIR CANNOT BE MATED AND OPERATED THE LOCK PARTS.
 - 3 [] AREA OF INNER SMT LAND REQUIRES PATTERN PROHIBITION OR RESIST TREATMENT TO PREVENT THE PATTERN TOUCHING TO THE CONTACTS.
 - 4 [] AREA IS VACUUM PICKUP AREA FOR REFERENCE.
 - 5 THE DIMENSION IS THE CENTER OF VACUUM PICKUP AREA.
 - 6 THE DIMENSIONS IN PARENTHESES ARE FOR REFERENCE.
 - 7 PACKAGING FOR THIS PRODUCT APPLIES EMBOSSED CARRIER TAPE PACKAGING. SEE SHEET 2/2 FOR DETAILS.

NO.	MATERIAL	FINISH, REMARKS	NO.	MATERIAL	FINISH, REMARKS
3	NICKEL SILVER		2	PHOSPHOR BRONZE	
1	PA	BLACK UL94V-0			

CONTACT AREA: GOLD	0.1μm min	LEAD AREA: TIN-PLATING	1μm min	UNDER PLATING: NICKEL	0.5μm min

CODE NO. (OLD)	CL	DRAWN	DESIGNED	CHECKED	APPROVED	RELEASED
		K. SHIBUYA	K. SHIBUYA	H. YAMAGUCHI	H. OKAWA	
		05.08.04	05.08.04	05.08.05	05.08.05	

DRAWING NO.	PART NO.
EDC3-155934	FX15S-31S-0.5SH

SCALE	UNITS	CODE NO.
4 : 1	mm	CL575-2306-5

Looking for pricing, stock, or lifecycle information?

Click below to explore more details on WIN SOURCE:

[View FX15S-31S-0.5SH on WIN SOURCE](#)

[Hirose Electric Co Ltd Information](#)

Optimize Your Supply Chain with WIN SOURCE Solutions

- ✓ Global Sourcing Solution
- ✓ Obsolete Management
- ✓ Cost Control Management
- ✓ Shortage Management
- ✓ Alternative Solution
- ✓ Excess Inventory Management