



**THE DATASHEET OF  
MM74HC165M**



## MM74HC165 Parallel-in/Serial-out 8-Bit Shift Register

### General Description

The MM74HC165 high speed PARALLEL-IN/SERIAL-OUT SHIFT REGISTER utilizes advanced silicon-gate CMOS technology. It has the low power consumption and high noise immunity of standard CMOS integrated circuits, along with the ability to drive 10 LS-TTL loads.

This 8-bit serial shift register shifts data from  $Q_A$  to  $Q_H$  when clocked. Parallel inputs to each stage are enabled by a low level at the SHIFT/LOAD input. Also included is a gated CLOCK input and a complementary output from the eighth bit.

Clocking is accomplished through a 2-input NOR gate permitting one input to be used as a CLOCK INHIBIT function. Holding either of the CLOCK inputs high inhibits clocking, and holding either CLOCK input low with the SHIFT/LOAD input high enables the other CLOCK input. Data transfer occurs on the positive going edge of the clock. Parallel

loading is inhibited as long as the SHIFT/LOAD input is HIGH. When taken LOW, data at the parallel inputs is loaded directly into the register independent of the state of the clock.

The 74HC logic family is functionally as well as pin-out compatible with the standard 74LS logic family. All inputs are protected from damage due to static discharge by internal diode clamps to  $V_{CC}$  and ground.

### Features

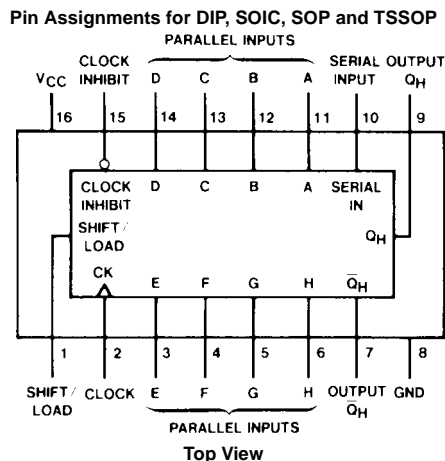
- Typical propagation delay: 20 ns (clock to Q)
- Wide operating supply voltage range: 2–6V
- Low input current: 1  $\mu$ A maximum
- Low quiescent supply current: 80  $\mu$ A maximum (74HC Series)
- Fanout of 10 LS-TTL loads

### Ordering Code:

Order Number	Package Number	Package Description
MM74HC165M	M16A	16-Lead Small Outline Integrated Circuit (SOIC), JEDEC MS-012, 0.150" Narrow
MM74HC165SJ	M16D	16-Lead Small Outline Package (SOP), EIAJ TYPE II, 5.3mm Wide
MM74HC165MTC	MTC16	16-Lead Thin Shrink Small Outline Package (TSSOP), JEDEC MO-153, 4.4mm Wide
MM74HC165	N16E	16-Lead Plastic Dual-In-Line Package (PDIP), JEDEC MS-001, 0.300" Wide

Devices also available in Tape and Reel. Specify by appending the suffix letter "X" to the ordering code.

### Connection Diagram



### Function Table

Inputs					Internal		Output
Shift/ Load	Clock Inhibit	Clock	Serial	Parallel	Outputs		$Q_H$
				A . . . H	$Q_A$	$Q_B$	
L	X	X	X	a . . . h	a	b	h
H	L	L	X	X	$Q_{A0}$	$Q_{B0}$	$Q_{H0}$
H	L	↑	H	X	H	$Q_{AN}$	$Q_{GN}$
H	L	↑	L	X	L	$Q_{AN}$	$Q_{GN}$
H	H	X	X	X	$Q_{A0}$	$Q_{B0}$	$Q_{H0}$

H = HIGH Level (steady state), L = LOW Level (steady state)

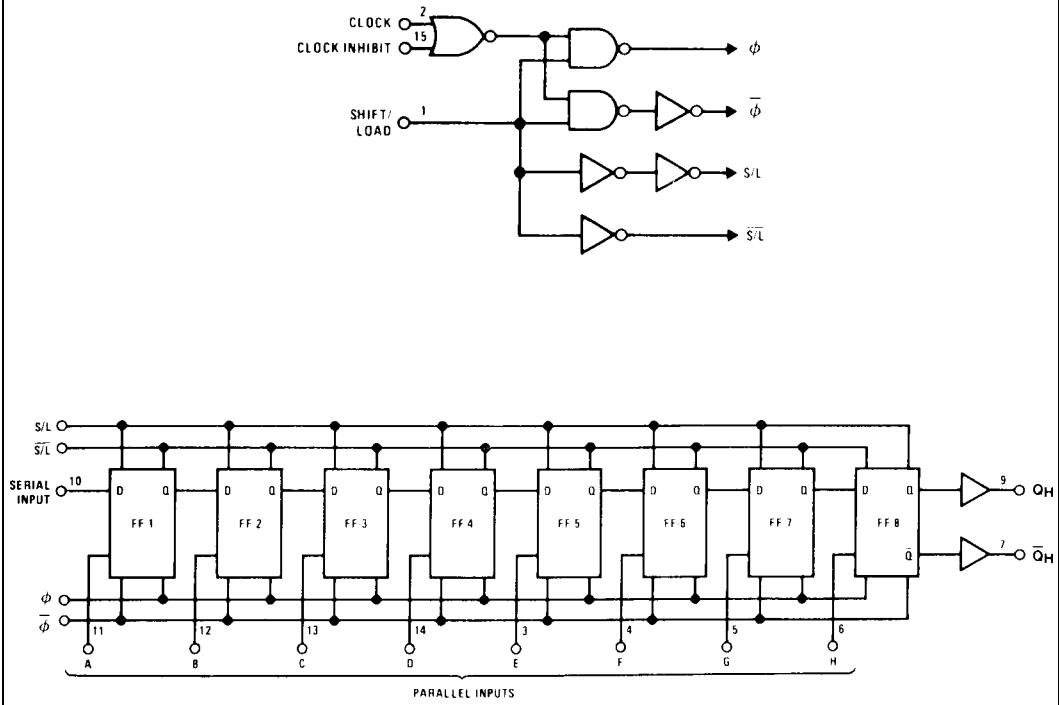
X = Irrelevant (any input, including transitions)

↑ = Transition from LOW-to-HIGH level

$Q_{A0}$ ,  $Q_{B0}$ ,  $Q_{H0}$  = The level of  $Q_A$ ,  $Q_B$ , or  $Q_H$ , respectively, before the indicated steady-state input conditions were established.

$Q_{AN}$ ,  $Q_{GN}$  = The level of  $Q_A$  or  $Q_G$  before the most recent ↑ transition of the clock; indicates a one-bit shift.

Logic Diagrams



**Absolute Maximum Ratings** (Note 1)

(Note 2)

Supply Voltage ( $V_{CC}$ )	-0.5 to +7.0V
DC Input Voltage ( $V_{IN}$ )	-1.5 to $V_{CC} + 1.5V$
DC Output Voltage ( $V_{OUT}$ )	-0.5 to $V_{CC} + 0.5V$
Clamp Diode Current ( $I_{IK}, I_{OK}$ )	$\pm 20$ mA
DC Output Current, per pin ( $I_{OUT}$ )	$\pm 25$ mA
DC $V_{CC}$ or GND Current, per pin ( $I_{CC}$ )	$\pm 50$ mA
Storage Temperature Range ( $T_{STG}$ )	-65°C to +150°C
Power Dissipation ( $P_D$ )	
(Note 3)	600 mW
S.O. Package only	500 mW
Lead Temperature ( $T_L$ )	
(Soldering 10 seconds)	260°C

**Recommended Operating Conditions**

	Min	Max	Units
Supply Voltage ( $V_{CC}$ )	2	6	V
DC Input or Output Voltage			
( $V_{IN}, V_{OUT}$ )	0	$V_{CC}$	V
Operating Temperature Range ( $T_A$ )	-40	+85	°C
Input Rise or Fall Times			
( $t_r, t_f$ ) $V_{CC} = 2.0V$		1000	ns
$V_{CC} = 4.5V$		500	ns
$V_{CC} = 6.0V$		400	ns

**Note 1:** Absolute Maximum Ratings are those values beyond which damage to the device may occur.

**Note 2:** Unless otherwise specified all voltages are referenced to ground.

**Note 3:** Power Dissipation temperature derating — plastic "N" package: -12 mW/°C from 65°C to 85°C.

**DC Electrical Characteristics** (Note 4)

Symbol	Parameter	Conditions	$V_{CC}$	$T_A = 25^\circ\text{C}$			Units	
				Typ	Guaranteed Limits			
$V_{IH}$	Minimum HIGH Level Input Voltage		2.0V		1.5	1.5	1.5	V
			4.5V		3.15	3.15	3.15	V
			6.0V		4.2	4.2	4.2	V
$V_{IL}$	Maximum LOW Level Input Voltage		2.0V		0.5	0.5	0.5	V
			4.5V		1.35	1.35	1.35	V
			6.0V		1.8	1.8	1.8	V
$V_{OH}$	Minimum HIGH Level Output Voltage	$V_{IN} = V_{IH}$ or $V_{IL}$ $ I_{OUT}  \leq 20 \mu\text{A}$	2.0V	2.0	1.9	1.9	1.9	V
			4.5V	4.5	4.4	4.4	4.4	V
			6.0V	6.0	5.9	5.9	5.9	V
		$V_{IN} = V_{IH}$ or $V_{IL}$ $ I_{OUT}  \leq 4.0 \text{ mA}$ $ I_{OUT}  \leq 5.2 \text{ mA}$	4.5V	4.2	3.98	3.84	3.7	V
			6.0V	5.7	5.48	5.34	5.2	V
$V_{OL}$	Maximum LOW Level Output Voltage	$V_{IN} = V_{IH}$ or $V_{IL}$ $ I_{OUT}  \leq 20 \mu\text{A}$	2.0V	0	0.1	0.1	0.1	V
			4.5V	0	0.1	0.1	0.1	V
			6.0V	0	0.1	0.1	0.1	V
		$V_{IN} = V_{IH}$ or $V_{IL}$ $ I_{OUT}  \leq 4.0 \text{ mA}$ $ I_{OUT}  \leq 5.2 \text{ mA}$	4.5V	0.2	0.26	0.33	0.4	V
			6.0V	0.2	0.26	0.33	0.4	V
$I_{IN}$	Maximum Input Current	$V_{IN} = V_{CC}$ or GND $V_{CC} = 2-6V$	6.0V		$\pm 0.1$	$\pm 1.0$	$\pm 1.0$	$\mu\text{A}$
$I_{CC}$	Maximum Quiescent Supply Current	$V_{IN} = V_{CC}$ or GND $I_{OUT} = 0 \mu\text{A}$ $V_{CC} = 2-6V$	6.0V		8.0	80	160	$\mu\text{A}$

**Note 4:** For a power supply of  $5V \pm 10\%$  the worst case output voltages ( $V_{OH}$ , and  $V_{OL}$ ) occur for HC at 4.5V. Thus the 4.5V values should be used when designing with this supply. Worst case  $V_{IH}$  and  $V_{IL}$  occur at  $V_{CC} = 5.5V$  and  $4.5V$  respectively. (The  $V_{IH}$  value at 5.5V is 3.85V.) The worst case leakage current ( $I_{IN}$ ,  $I_{CC}$ , and  $I_{OZ}$ ) occur for CMOS at the higher voltage and so the 6.0V values should be used.

## AC Electrical Characteristics

$V_{CC} = 5V$ ,  $T_A = 25^\circ C$ ,  $C_L = 15$  pF,  $t_r = t_f = 6$  ns

Symbol	Parameter	Conditions	Typ	Guaranteed Limit	Units
$f_{MAX}$	Maximum Operating Frequency		50	30	MHz
$t_{PHL}$ , $t_{PLH}$	Maximum Propagation Delay H to $Q_H$ or $\bar{Q}_H$		15	25	ns
$t_{PHL}$ , $t_{PLH}$	Maximum Propagation Delay Serial Shift/Parallel Load to $Q_H$		13	25	ns
$t_{PHL}$ , $t_{PLH}$	Maximum Propagation Delay Clock to Output		15	25	ns
$t_S$	Minimum Setup Time Serial Input to Clock, Parallel or Data to Shift/Load		10	20	ns
$t_S$	Minimum Setup Time Shift/Load to Clock		11	20	ns
$t_S$	Minimum Setup Time Clock Inhibit to Clock		10	20	ns
$t_H$	Minimum Hold Time Serial Input to Clock or Parallel Data to Shift/Load			0	ns
$t_W$	Minimum Pulse Width Clock			16	ns

## AC Electrical Characteristics

$C_L = 50$  pF,  $t_r = t_f = 6$  ns (unless otherwise specified)

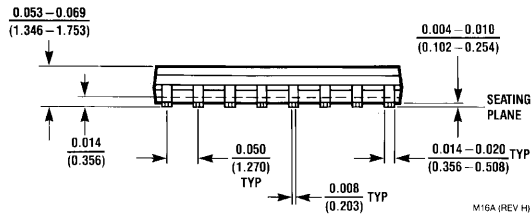
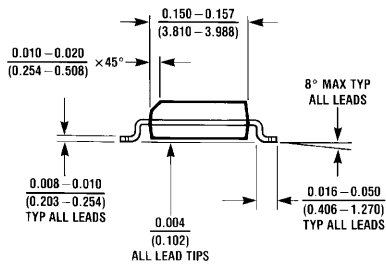
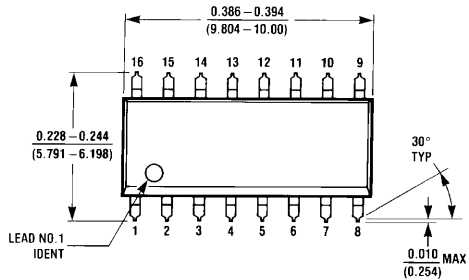
Symbol	Parameter	Conditions	$V_{CC}$	$T_A = 25^\circ C$		$T_A = -40$ to $85^\circ C$	$T_A = -55$ to $125^\circ C$	Units
				Typ	Guaranteed Limits			
$f_{MAX}$	Maximum Operating Frequency		2.0V	10	5	4	4	MHz
			4.5V	45	27	21	18	MHz
			6.0V	50	32	25	21	MHz
$t_{PHL}$ , $t_{PLH}$	Maximum Propagation Delay H to $Q_H$ or $\bar{Q}_H$		2.0V	70	150	189	225	ns
			4.5V	21	30	38	45	ns
			6.0V	18	26	33	39	ns
$t_{PHL}$ , $t_{PLH}$	Maximum Propagation Delay Serial Shift/Parallel Load to $Q_H$		2.0V	70	175	220	260	ns
			4.5V	21	35	44	52	ns
			6.0V	18	30	37	44	ns
$t_{PHL}$ , $t_{PLH}$	Maximum Propagation Delay Clock to Output		2.0V	70	150	189	225	ns
			4.5V	21	30	38	45	ns
			6.0V	18	26	33	39	ns
$t_S$	Minimum Setup Time Serial Input to Clock, or Parallel Data to Shift/Load		2.0V	35	100	125	150	ns
			4.5V	11	20	25	30	ns
			6.0V	9	17	21	25	ns
$t_S$	Minimum Setup Time Shift/Load to Clock		2.0V	38	100	125	150	ns
			4.5V	12	20	25	30	ns
			6.0V	9	17	21	25	ns
$t_S$	Minimum Setup Time Clock Inhibit to Clock		2.0V	35	100	125	150	ns
			4.5V	11	20	25	30	ns
			6.0V	9	17	21	25	ns
$t_H$	Minimum Hold Time Serial Input to Clock or Parallel Data to Shift/Load		2.0V		0	0	0	ns
			4.5V		0	0	0	ns
			6.0V		0	0	0	ns
$t_W$	Minimum Pulse Width, Clock		2.0V	30	80	100	120	ns
			4.5V	9	16	20	24	ns
			6.0V	8	14	18	20	ns
$t_{THL}$ , $t_{TLH}$	Maximum Output Rise and Fall Time		2.0V	30	75	95	110	ns
			4.5V	9	15	19	22	ns
			6.0V	8	13	16	19	ns
$t_r$ , $t_f$	Maximum Input Rise and Fall Time		2.0V		1000	1000	1000	ns
			4.5V		500	500	500	ns
			6.0V		400	400	400	ns

## AC Electrical Characteristics (Continued)

Symbol	Parameter	Conditions	V <sub>CC</sub>	T <sub>A</sub> = 25°C		T <sub>A</sub> = -40 to 85°C	T <sub>A</sub> = -55 to 125°C	Units
				Typ	Guaranteed Limits			
C <sub>PD</sub>	Power Dissipation Capacitance (Note 5)	(per package)		100				pF
C <sub>IN</sub>	Maximum Input Capacitance			5	10	10	10	pF

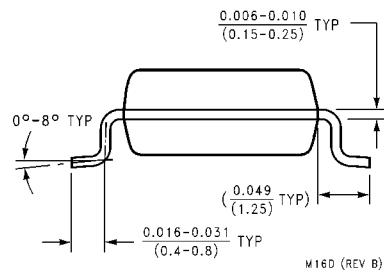
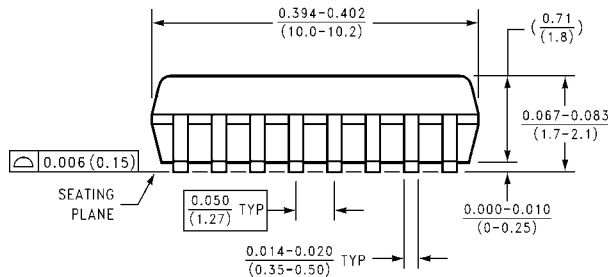
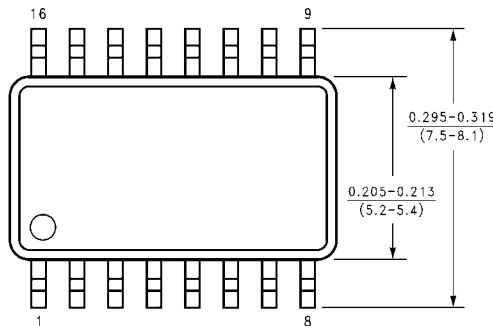
**Note 5:** C<sub>PD</sub> determines the no load dynamic power consumption,  $P_D = C_{PD} V_{CC}^2 f + I_{CC} V_{CC}$ , and the no load dynamic current consumption,  $I_S = C_{PD} V_{CC} f + I_{CC}$ .

**Physical Dimensions** inches (millimeters) unless otherwise noted



M16A (REV H)

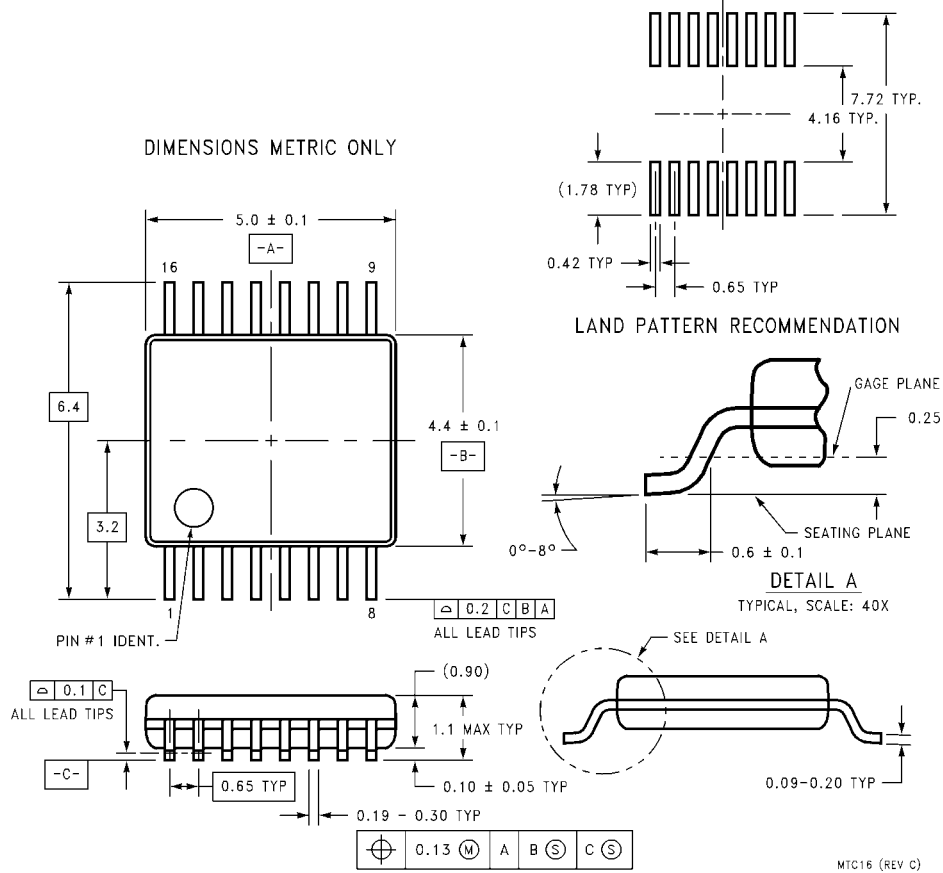
**16-Lead Small Outline Integrated Circuit (SOIC), JEDEC MS-012, 0.150" Narrow  
Package Number M16A**



M16D (REV B)

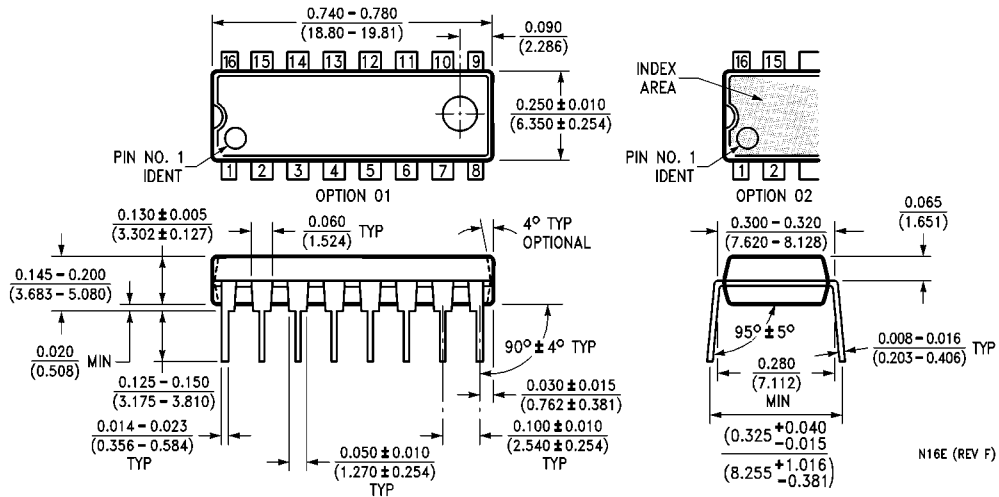
**16-Lead Small Outline Package (SOP), EIAJ TYPE II, 5.3mm Wide  
Package Number M16D**

**Physical Dimensions** inches (millimeters) unless otherwise noted (Continued)



**16-Lead Thin Shrink Small Outline Package (TSSOP), JEDEC MO-153, 4.4mm Wide  
Package Number MTC16**

**Physical Dimensions** inches (millimeters) unless otherwise noted (Continued)



**16-Lead Plastic Dual-In-Line Package (PDIP), MS-001, 0.300" Wide Package N16E**

**LIFE SUPPORT POLICY**

FAIRCHILD'S PRODUCTS ARE NOT AUTHORIZED FOR USE AS CRITICAL COMPONENTS IN LIFE SUPPORT DEVICES OR SYSTEMS WITHOUT THE EXPRESS WRITTEN APPROVAL OF THE PRESIDENT OF FAIRCHILD SEMICONDUCTOR CORPORATION. As used herein:

1. Life support devices or systems are devices or systems which, (a) are intended for surgical implant into the body, or (b) support or sustain life, and (c) whose failure to perform when properly used in accordance with instructions for use provided in the labeling, can be reasonably expected to result in a significant injury to the user.
2. A critical component in any component of a life support device or system whose failure to perform can be reasonably expected to cause the failure of the life support device or system, or to affect its safety or effectiveness.

[www.fairchildsemi.com](http://www.fairchildsemi.com)

## Looking for pricing, stock, or lifecycle information?

Click below to explore more details on WIN SOURCE:

- ⊖ [View MM74HC165M on WIN SOURCE](#)
- ⊖ [Fairchild/ON Semiconductor Information](#)

## Optimize Your Supply Chain with WIN SOURCE Solutions

- ✓ Global Sourcing Solution
- ✓ Obsolete Management
- ✓ Cost Control Management
- ✓ Shortage Management
- ✓ Alternative Solution
- ✓ Excess Inventory Management